



Page 1 of 20

## **LOAD, RF, COAXIAL, TYPE SMA, DC - 22GHz**

### **ESCC Detail Specification No. 3403/006**

Issue 5	July 2018
---------	-----------



Document Custodian: European Space Agency – see <https://escies.org>

### **LEGAL DISCLAIMER AND COPYRIGHT**

European Space Agency, Copyright © 2018. All rights reserved.

The European Space Agency disclaims any liability or responsibility, to any person or entity, with respect to any loss or damage caused, or alleged to be caused, directly or indirectly by the use and application of this ESCC publication.

This publication, without the prior permission of the European Space Agency and provided that it is not used for a commercial purpose, may be:

- copied in whole, in any medium, without alteration or modification.
- copied in part, in any medium, provided that the ESCC document identification, comprising the ESCC symbol, document number and document issue, is removed.

**DOCUMENTATION CHANGE NOTICE**

(Refer to <https://escies.org> for ESCC DCR content)

DCR No.	CHANGE DESCRIPTION
1147	Specification upissued to incorporate changes per DCR.

**TABLE OF CONTENTS**

1	GENERAL	5
1.1	SCOPE	5
1.2	APPLICABLE DOCUMENTS	5
1.3	TERMS, DEFINITIONS, ABBREVIATIONS, SYMBOLS AND UNITS	5
1.4	THE ESCC COMPONENT NUMBER AND COMPONENT TYPE VARIANTS	5
1.4.1	The ESCC Component Number	5
1.4.2	Component Type Variants and Range of Components	6
1.5	MAXIMUM RATINGS	6
1.6	PHYSICAL DIMENSIONS	7
1.6.1	SMA Male Load, Body Type S – Variant 03	7
1.6.2	SMA Female Load – Variant 04	7
1.6.3	SMA Male Load, Body Type C – Variants 05 and 06	8
1.6.4	Interface Dimensions	9
1.6.5	Mating Gauge Dimensions	12
1.7	MATERIALS AND FINISHES	15
2	REQUIREMENTS	15
2.1	GENERAL	15
2.1.1	Deviations from the Generic Specification	15
2.1.1.1	Deviations from Qualification and Periodic Tests - Chart F4	15
2.2	MARKING	15
2.3	CONTACT ENGAGEMENT AND SEPARATION FORCES TEST	16
2.4	COUPLING PROOF TORQUE TEST	16
2.5	MATING AND UNMATING FORCES TEST	16
2.6	ELECTRICAL MEASUREMENTS AT ROOM, HIGH AND LOW TEMPERATURES	16
2.6.1	Room Temperature Electrical Measurements	17
2.6.2	High and Low Temperatures Electrical Measurements	17
2.7	PARAMETER DRIFT VALUES	17
2.8	INTERMEDIATE AND END-POINT ELECTRICAL MEASUREMENTS	18
2.9	BURN-IN CONDITIONS	19
2.10	OPERATING LIFE CONDITIONS	20

## 1 GENERAL

### 1.1 SCOPE

This specification details the ratings, physical and electrical characteristics and test and inspection data for the component type variants and/or the range of components specified below. It supplements the requirements of, and shall be read in conjunction with, the ESCC Generic Specification listed under Applicable Documents.

### 1.2 APPLICABLE DOCUMENTS

The following documents form part of this specification and shall be read in conjunction with it: (a) ESCC Generic Specification No. [3403](#).

### 1.3 TERMS, DEFINITIONS, ABBREVIATIONS, SYMBOLS AND UNITS

For the purpose of this specification, the terms, definitions, abbreviations, symbols and units specified in ESCC Basic Specification No. [21300](#) shall apply.

### 1.4 THE ESCC COMPONENT NUMBER AND COMPONENT TYPE VARIANTS

#### 1.4.1 The ESCC Component Number

The ESCC Component Number shall be constituted as follows:

Example: 340300603

- Detail Specification Reference: 3403006
- Component Type Variant Number: 03 (as required)

#### 1.4.2 Component Type Variants and Range of Components

The component type variants and range of components applicable to this specification are as follows:

Variant Number	Connector Type	Body Material and Finish	Maximum RF Power $P_{RF}$ (W)	Weight max (g)
03	SMA Male, Body Type S	Passivated Stainless Steel	2	5
04	SMA Female	Passivated Stainless Steel	2	5
05	SMA Male, Body Type C	Beryllium Copper, Copper Underplate, Gold Plated	1	3.5
06	SMA Male, Body Type C	Beryllium Copper, Nickel Underplate, Gold Plated	1	3.5

#### 1.5 MAXIMUM RATINGS

The maximum ratings shall not be exceeded at any time during use or storage.

Maximum ratings shall only be exceeded during testing to the extent specified in this specification and when stipulated in Test Methods and Procedures of the ESCC Generic Specification.

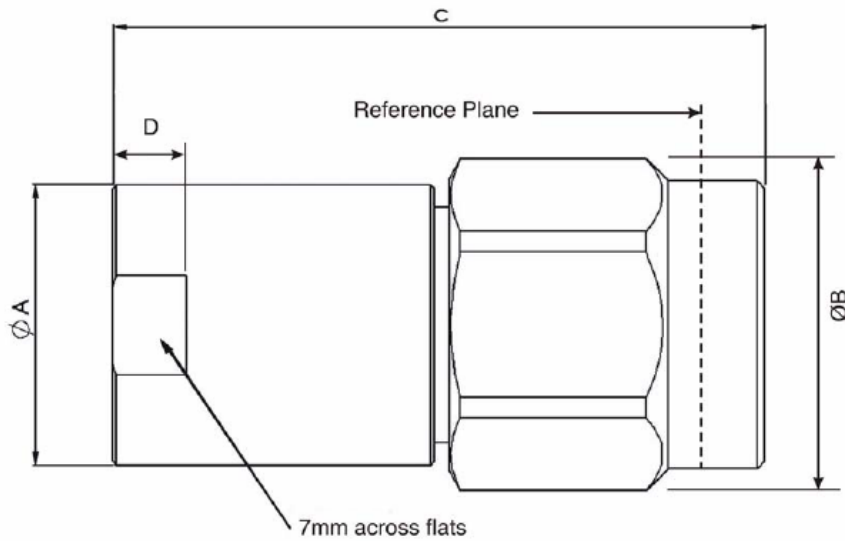
Characteristics	Symbols	Maximum Ratings	Units	Remarks
RF Power	$P_{RF}$	Note 1	W	$T_{amb} \leq +70^{\circ}\text{C}$ , Note 2
Peak Power	$P_P$	100	W	duration 1 $\mu$ s 1% duty cycle
DC Power	$P_{DC}$	Note 1	W	$T_{amb} \leq +70^{\circ}\text{C}$
Impedance	$Z$	47.5 to 52.5	$\Omega$	-
Frequency Range	$f_{op}$	DC to 22	GHz	-
RF Leakage	E	-90	dBi	-
Operating Temperature Range	$T_{op}$	-55 to +125	$^{\circ}\text{C}$	$T_{amb}$
Storage Temperature Range	$T_{stg}$	-55 to +125	$^{\circ}\text{C}$	-
Coupling Nut Torque Range	$T_q$	80 to 120	N.cm	Note 3

#### NOTES:

- The maximum rated RF Power is specified in Component Type Variants and Range of Components.  
The maximum rated DC Power is the same value as the maximum rated RF Power.
- RF Power shall be derated against Operating Temperature as follows: For  $T_{amb} > +70^{\circ}\text{C}$ , derate linearly to 25% of RF Power at  $+125^{\circ}\text{C}$
- Coupling Proof Torque: 170N.cm

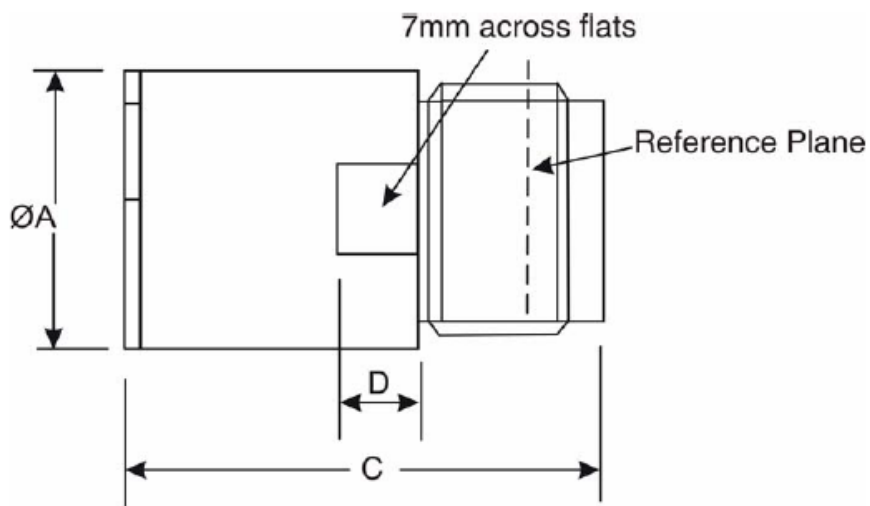
1.6 PHYSICAL DIMENSIONS

1.6.1 SMA Male Load, Body Type S – Variant 03



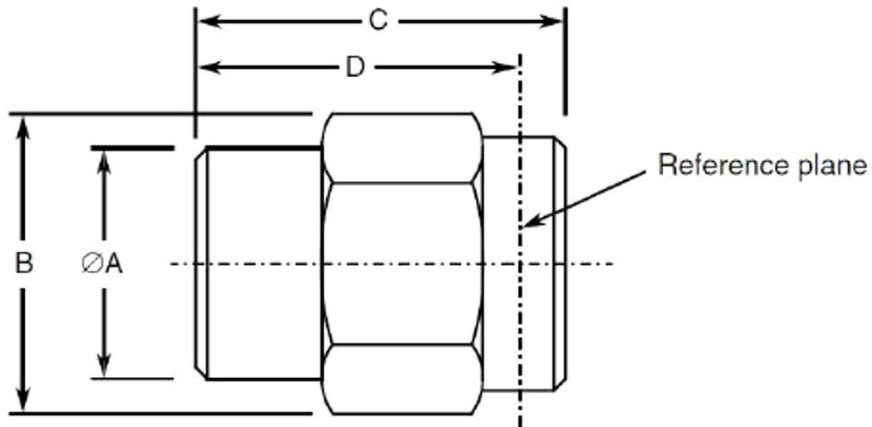
Symbols	Dimensions mm	
	Min	Max
ØA	-	7.7
ØB	8.5	9.5
C	-	16.5
D	1.9	2.3

1.6.2 SMA Female Load – Variant 04



Symbols	Dimensions mm	
	Min	Max
ØA	-	7.7
C	-	14.3
D	1.9	2.3

1.6.3 SMA Male Load, Body Type C – Variants 05 and 06

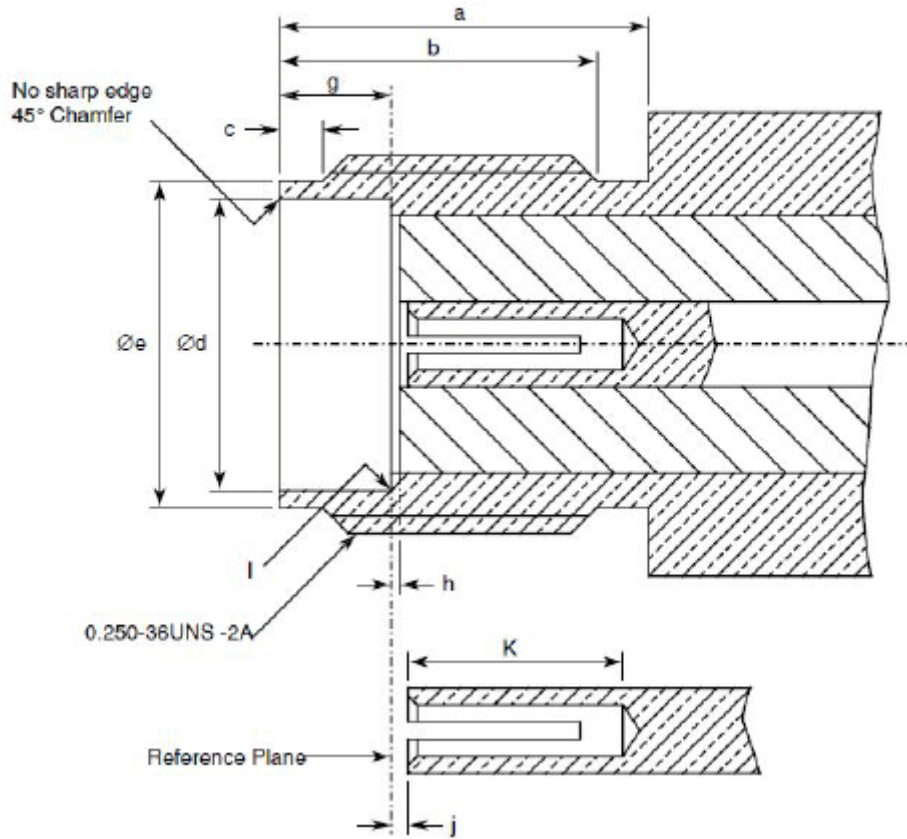


Symbols	Dimensions mm	
	Min	Max
ØA	6.2	6.4
B	7.8	8
C	-	12
D	-	10.5



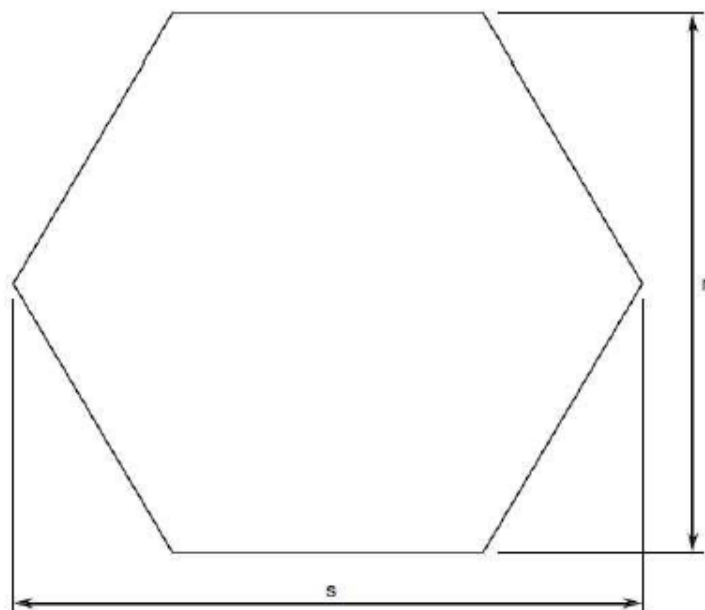
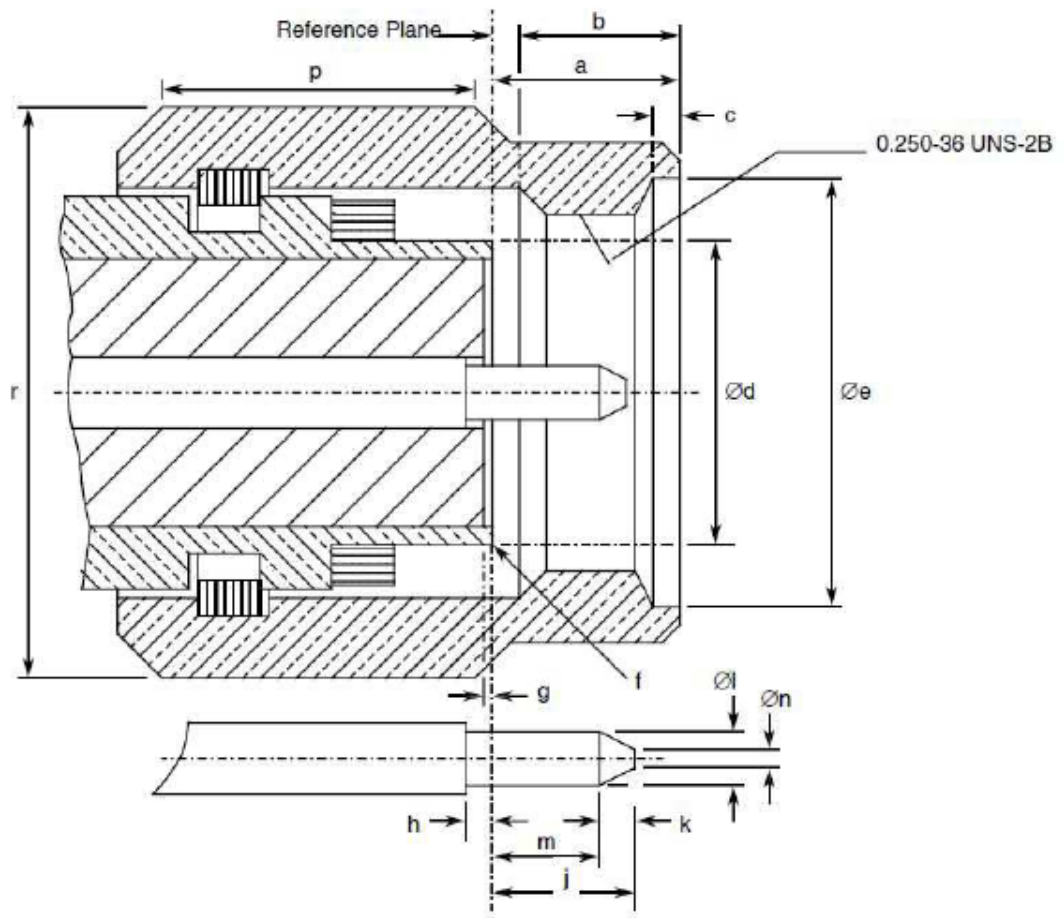
1.6.4 Interface Dimensions

Female Interface



Symbols	Dimensions mm		Notes
	Min	Max	
a	5.54	-	
b	4.32	-	
c	0.38	1.14	
Ød	4.597	4.67	
Øe	5.28	5.49	
g	1.88	1.98	
h	0	0.2	
j	0	0.25	
k	2.92	-	
l	-	0.04	Radius

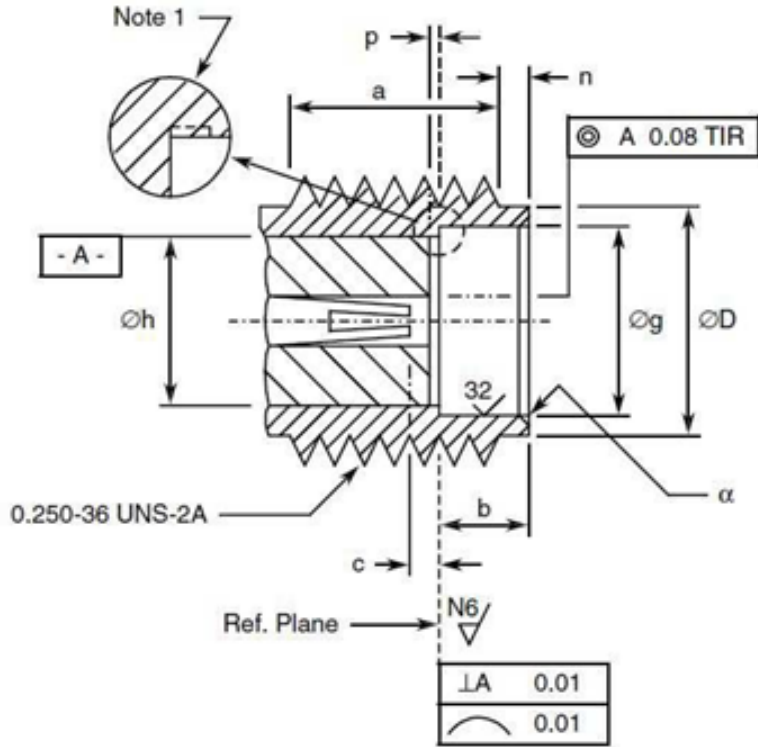
Male Interface



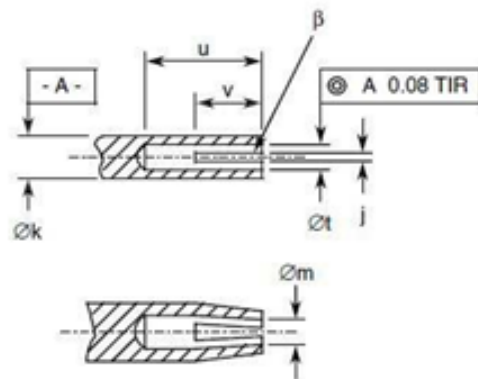
Symbols	Dimensions mm		Notes
	Min	Max	
a	-	3.43	
b	2.54	-	
c	0.38	1.14	
Ød	-	4.592	
Øe	6.35	-	
f	-	0.08	Radius or 45° chamfer
g	0	0.2	
h	0	0.25	
j	-	2.54	
k	0.38	-	
Øl	0.9	0.94	
m	1.27	-	
Øn	-	0.38	
p	3.17	-	
q	-	-	
r	7.84	8	Hexagon
s	-	9.2	

1.6.5 Mating Gauge Dimensions

Female Interface



Detailed view of centre contact

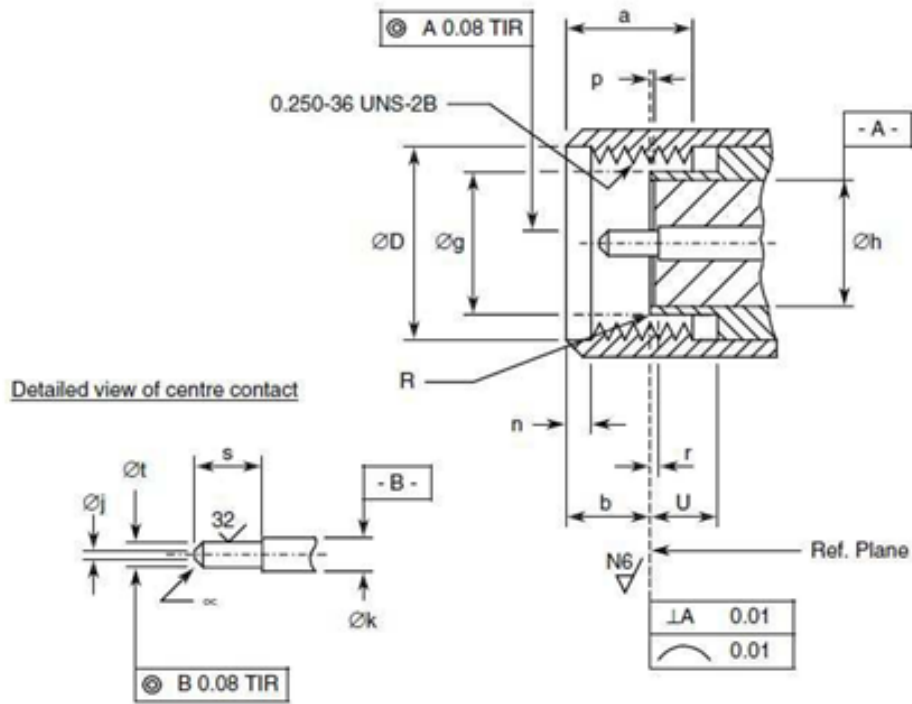


Symbols	Dimensions mm		Notes
	Min	Max	
a	3.81	-	
b	1.88	1.98	
c	0	0.08	Contact recess
ØD	5.28	5.49	
Øg	4.6	4.67	
Øh	4.1	4.13	
j	0.13	0.23	2 or more slots
Øk	1.27	1.29	
m	0.72	0.84	After closing
n	0.38	1.14	
p	0	0.05	Insert recess
u	2.54	-	
Øt	0.94	0.99	
v	1.91	2.41	
α	-	0.25	45° Chamfer
β	0.99	1.19	45° Chamfer

**NOTES:**

1. No fillet permitted. Radial undercut 0.2mm maximum deep x 0.89mm maximum long permitted.

Male Interface



Symbols	Dimensions mm		Notes
	Min	Max	
a	3.71	4.32	
b	2.59	3.35	
ØD	6.48	6.73	
Øg	4.34	4.59	
Øh	4.1	4.13	
Øj	-	0.38	Flat
Øk	1.27	1.29	
n	0.64	1.14	
p	0	0.05	Insert recess
r	0	0.08	Contact recessed
R	-	0.08	Radius
s	2.03	2.29	
Øt	0.9	0.93	
U	2.03	-	
α	-	-	45 ±3° Chamfer

## 1.7 MATERIALS AND FINISHES

Materials and finishes shall be as follows:

- (a) For Variants 03 and 04:
  - Shell: Amagnetic Stainless Steel, electro-passivated.
  - Coupling Nut: Amagnetic Stainless Steel, electro-passivated.
  - Centre Contact: Beryllium Copper, with nickel underplate (2µm minimum) and gold plating (1.3µm minimum). Measurements of plating thickness shall be performed inside the female centre contact at a maximum distance of 0.4mm from the end and on the male centre contact on pin diameter Øt (see Para. 1.6.5).
  - Inserts: PTFE
  - Gaskets: Silicone rubber.
- (b) For Variant 05:
  - Shell, Coupling Nut, Centre Contact: Beryllium copper, with copper underplate (2.5µm minimum) and gold plating (2.5µm minimum). Measurements of plating thickness on the centre contact shall be performed on pin diameter ØI (see Para. 1.6.4).
  - Inserts: PTFE
  - Gaskets: Silicone rubber.
- (c) For Variant 06:
  - Shell, Coupling Nut, Centre Contact: Beryllium copper, with nickel underplate (2µm minimum) and gold plating (2.5µm minimum). Measurements of plating thickness on the centre contact shall be performed on pin diameter ØI (see Para. 1.6.4).
  - Inserts: PTFE
  - Gaskets: Silicone rubber.

## 2 REQUIREMENTS

### 2.1 GENERAL

The complete requirements for procurement of the components specified herein are as stated in this specification and the ESCC Generic Specification. Permitted deviations from the Generic Specification, applicable to this specification only, are listed below.

Permitted deviations from the Generic Specification and this Detail Specification, formally agreed with specific Manufacturers on the basis that the alternative requirements are equivalent to the ESCC requirement and do not affect the component's reliability, are listed in the appendices attached to this specification.

#### 2.1.1 Deviations from the Generic Specification

##### 2.1.1.1 *Deviations from Qualification and Periodic Tests - Chart F4*

- (a) Residual Magnetism: is not applicable to Variants 03, 04 and 06.

### 2.2 MARKING

The marking shall be in accordance with the requirements of ESCC Basic Specification No. [21700](#) and as follows.

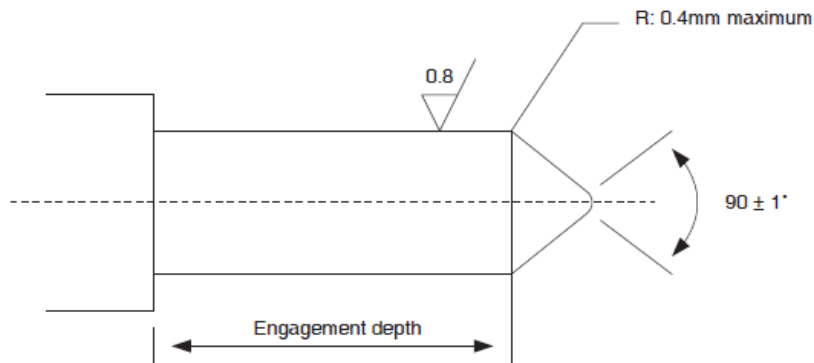
The information to be marked on the component shall be:

- (a) The ESCC qualified components symbol (for ESCC qualified components only).
- (b) The ESCC Component Number.
- (c) Traceability information.

### 2.3 CONTACT ENGAGEMENT AND SEPARATION FORCES TEST

Ref. Contact Engagement and Separation Forces in the ESCC Generic Specification.

- (a) Oversize Test Pin:
  - Pin diameter: 0.9525/0.955mm
  - Insertion depth : 0.76/1.14mm
- (b) Maximum Diameter Test Pin:
  - Pin diameter: 0.94/0.942mm
  - Engagement depth: 1.27/1.91mm
  - Engagement force: 1360g maximum
- (c) Minimum Diameter Test Pin:
  - Pin diameter: 0.902/0.904mm
  - Separation depth: 1.27/1.91mm
  - Separation force: 28.4g minimum



### 2.4 COUPLING PROOF TORQUE TEST

Ref. Coupling Proof Torque in the ESCC Generic Specification.

Coupling Proof Torque: 170N.cm.

### 2.5 MATING AND UNMATING FORCES TEST

Ref. Mating and Unmating Forces in the ESCC Generic Specification.

Maximum torque during mating or unmating: 24N.cm.

### 2.6 ELECTRICAL MEASUREMENTS AT ROOM, HIGH AND LOW TEMPERATURES

The measurements shall be performed at room, high and low temperatures.



2.6.1 Room Temperature Electrical Measurements

The measurements shall be performed at  $T_{amb} = +22 \pm 3^{\circ}\text{C}$ .

Characteristics	Symbols	Test Method and Conditions	Limits		Units
			Min	Max	
Voltage Standing Wave Ratio	VSWR	ESCC No. 3403 f = 0 to 18GHz f = 18 to 22GHz	-	1.1	-
			-	1.15	
Resistance	R	f = DC	47.5	52.5	$\Omega$

2.6.2 High and Low Temperatures Electrical Measurements

The measurements shall be performed at  $T_{amb} = +125 (+0 -3)^{\circ}\text{C}$  and  $T_{amb} = -55 (+3 -0)^{\circ}\text{C}$ .

Characteristics	Symbols	Test Method and Conditions (Note 1)	Limits		Units
			Min	Max	
Temperature Coefficient of Resistance	$TC_R$	DC test Reference Temperature: $+25^{\circ}\text{C}$	-	$3 \times 10^{-4}$	$\Omega/\Omega^{\circ}\text{C}$

**NOTES:**

1. Measurements shall be performed during Screening Tests on a sample of 2 components. In the event of any failure a 100% inspection shall be performed.

2.7 PARAMETER DRIFT VALUES

Unless otherwise specified, the measurements shall be performed at  $T_{amb} = +22 \pm 3^{\circ}\text{C}$ .

The test methods and test conditions shall be as per the corresponding test defined in Room Temperature Electrical Measurements.

The drift values ( $\Delta$ ) shall not be exceeded for each characteristic specified. The corresponding absolute limit values for each characteristic shall not be exceeded.

Characteristics	Symbols	Drift Value $\Delta$	Units
Voltage Standing Wave Ratio	$\frac{\Delta\text{VSWR}}{\text{VSWR}}$	$\pm 2$	%
Resistance	$\Delta R$	$\pm 250$	m $\Omega$

2.8 INTERMEDIATE AND END-POINT ELECTRICAL MEASUREMENTS

Unless otherwise specified, the measurements shall be performed at  $T_{amb} = +22 \pm 3^{\circ}\text{C}$ .

Unless otherwise specified, test methods and test conditions shall be as per the corresponding test defined in Room Temperature Electrical Measurements.

The drift values ( $\Delta$ ) shall not be exceeded for each characteristic where specified. The corresponding absolute limit values for each characteristic shall not be exceeded.

Test Reference per ESCC No. 3403	Characteristics	Symbols	Limits		Units
			Min	Max	
<b>Vibration</b> Initial Measurements	Resistance	R	47.5	52.5	$\Omega$
	Voltage Standing Wave Ratio	VSWR	Note 1	Note 1	-
	Measurements during last cycle	Intermittent contact	-	No discontinuity > 0.5ms No open or short circuit	
Final Measurements	Resistance	R	47.5	52.5	$\Omega$
	Resistance Drift (from initial measurement)	$\Delta R$	-	$\pm 250$	m $\Omega$
	Voltage Standing Wave Ratio	VSWR	Note 1	Note 1	-
	VSWR Drift (from Initial measurement)	$\Delta VSWR$ VSWR		$\pm 2$	%
<b>Mechanical Shock</b> Initial Measurements	Resistance (Note 2)	R	47.5	52.5	$\Omega$
	Voltage Standing Wave Ratio (Note 2)	VSWR	Note 1	Note 1	-
Final Measurements	Resistance	R	47.5	52.5	$\Omega$
	Resistance Drift (from initial measurement)	$\Delta R$	-	$\pm 250$	m $\Omega$
	Voltage Standing Wave Ratio	VSWR	Note 1	Note 1	-
	VSWR Drift (from Initial measurement)	$\Delta VSWR$ VSWR		$\pm 2$	%
<b>Rapid Change of Temperature</b> Initial Measurements	Resistance	R	47.5	52.5	$\Omega$
	Voltage Standing Wave Ratio	VSWR	Note 1	Note 1	-
Final Measurements	Resistance	R	47.5	52.5	$\Omega$
	Resistance Drift (from initial measurement)	$\Delta R$	-	$\pm 250$	m $\Omega$
	Voltage Standing Wave Ratio	VSWR	Note 1	Note 1	-
	VSWR Drift (from Initial measurement)	$\Delta VSWR$ VSWR		$\pm 2$	%

Test Reference per ESCC No. 3403	Characteristics	Symbols	Limits		Units
			Min	Max	
<b>Climatic Sequence</b>					
Initial Measurements	Resistance (Note 2) Voltage Standing Wave Ratio (Note 2)	R VSWR	47.5 Note 1	52.5 Note 1	$\Omega$ -
Measurements during Dry Heat	Temperature Coefficient of Resistance	$TC_R$	-	$3 \times 10^{-4}$	$\Omega/\Omega/^\circ C$
Measurements during Cold	Temperature Coefficient of Resistance	$TC_R$	-	$3 \times 10^{-4}$	$\Omega/\Omega/^\circ C$
Final Measurements	Resistance Resistance Drift (from initial measurement) Voltage Standing Wave Ratio VSWR Drift (from Initial measurement)	R $\Delta R$ VSWR $\frac{\Delta VSWR}{VSWR}$	47.5 - Note 1	52.5 $\pm 250$ Note 1 $\pm 2$	$\Omega$ m $\Omega$ - %
<b>Operating Life</b>					
Initial Measurements	Resistance (Note 2) Voltage Standing Wave Ratio (Note 2)	R VSWR	47.5 Note 1	52.5 Note 1	$\Omega$ -
Final Measurements	Resistance Resistance Drift (from initial measurement) Voltage Standing Wave Ratio VSWR Drift (from Initial measurement)	R $\Delta R$ VSWR $\frac{\Delta VSWR}{VSWR}$	47.5 - Note 1	52.5 $\pm 250$ Note 1 $\pm 2$	$\Omega$ m $\Omega$ - %
<b>RF Leakage</b>	RF leakage f = 0 to 22GHz	E	-90	-	dBi
<b>Peak Power</b>					
Final Measurements	Resistance Voltage Standing Wave Ratio	R VSWR	47.5 Note 1	52.5 Note 1	$\Omega$ -

**NOTES:**

1. The limits for VSWR are as specified in Room Temperature Electrical Measurements.
2. This test need not be repeated. The most recent result from the previous test may be used instead.

2.9

**BURN-IN CONDITIONS**

Characteristics	Symbols	Test Conditions	Units
Ambient Temperature	$T_{amb}$	+125	$^\circ C$
Power	$P_{in}$	0	W

2.10 OPERATING LIFE CONDITIONS

Characteristics	Symbols	Test Conditions	Units
Ambient Temperature	$T_{amb}$	+25	°C
Power Variants 03, 04 Variants 05, 06	$P_{in}$	2 1	W
Frequency	$f_{in}$	Note 1	-

**NOTES:**

1. Operating Life may be performed at DC, 10GHz, 18GHz or 22GHz.