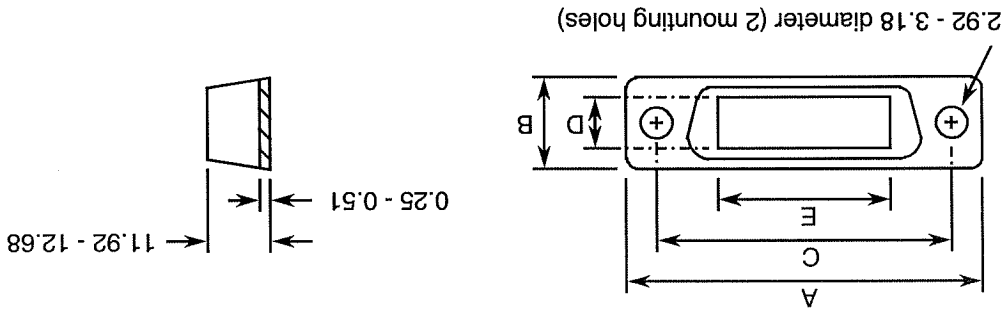


FIGURE 2(c)- POTTING SHELLS (All dimension in millimetres)

VARIANT	A		B		C		D	
	MIN.	MAX.	MIN.	MAX.	MIN.	MAX.	MIN.	MAX.
10	27.1	27.7	25.4	26.0	10.2	10.8	8.5	9.1
11	39.4	40.0	37.7	38.3	8.9	9.5	7.2	7.8
12	41.2	41.8	39.5	40.1	10.2	10.8	8.9	9.6
13	55.8	56.4	54.1	54.7	8.9	9.5	7.2	7.8
14	57.6	58.2	56.0	56.0	10.2	10.8	8.9	9.6
15	53.4	54.0	51.7	52.3	11.7	12.3	10.0	10.6
16	55.0	55.6	53.3	53.9	13.3	13.9	11.6	12.2
Fskt	57	57.6	55.3	55.9	13.4	14.1	11.7	12.3
F Pin	58.9	59.5	57.2	57.8	15.4	16	13.7	14.3

New variants for slope F



NOTES:
1. Weight: Not applicable because not on board.

VARIANT	A		B		C		D		E	
	MIN.	MAX.	MIN.	MAX.	MIN.	MAX.	MIN.	MAX.	MIN.	MAX.
17	38.51	39.27	12.32	13.08	33.07	33.58	7.1	8.1	14.4	15.44
18	52.4	53.16	12.32	13.08	46.79	47.49	7.1	8.1	28.0	29.08
19	68.66	69.42	12.32	13.08	63.25	63.75	7.1	8.1	43.94	45.0
20	66.29	67.05	15.09	15.85	60.86	61.37	9.4	10.4	43.94	45.0