

March 25th, 2016

Justification for DCR about SMA female (3402002 issue 4) dimension and weight

This new DCR is to correct some mistakes of detail specification 3402002 and also to take into account some design modification to be compliant to electrical in figure 2(b) of various variant see details below.

1- Mistake 3402002 variant 62 page 83

Inconsistency of specification between drawing with L4 and table with Y.



ESCC Detail Specification

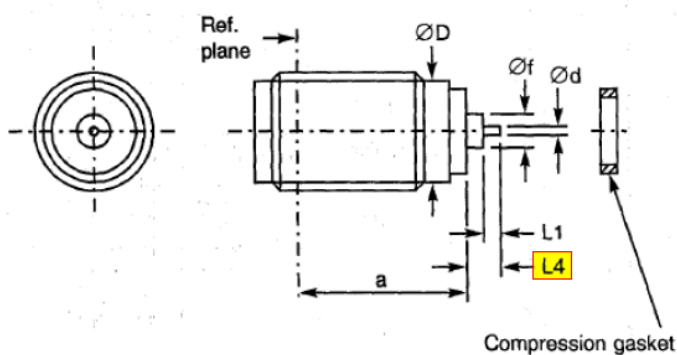
PAGE 83

No. 3402/002

ISSUE 4

FIGURE 2(b) - VARIANTS (CONTINUED)

VARIANT 62 – HERMETIC BULKHEAD RECEPTACLE



Symbol	Millimetres	
	Min.	Max.
a	9.05	10.05
Ød	-	0.51
ØD	5.3	5.4
L	-	1.67
L1	0.62	1.25
Y	1.72	2.25

2- **3402002 variant 29 page 53**

A customer requested to create a version of this variant with length B of 24mm so out of esa specification.

Radiall requests to increase the maximum B value to 30mm in order to cover this new part number R126414093 created under customer request and future customer needs.

No other mechanical, electrical characteristics impacted by this dimensional modification.



ESCC Detail Specification

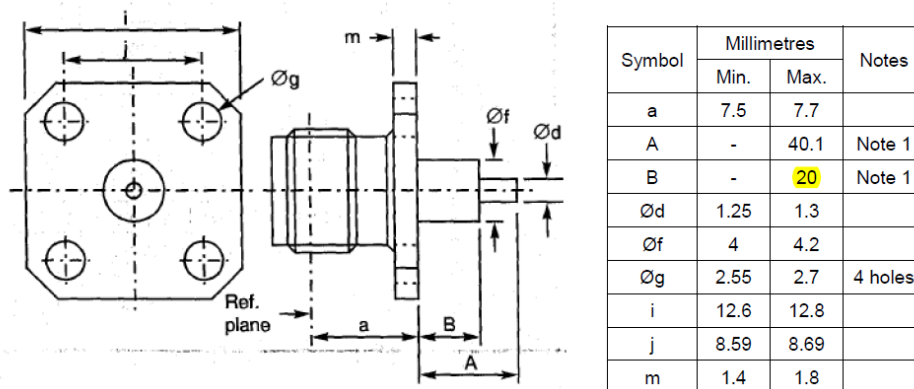
PAGE 53

No. 3402/002

ISSUE 4

FIGURE 2(b) - VARIANTS (CONTINUED)

VARIANT 29 - SQUARE FLANGE RECEPTACLE

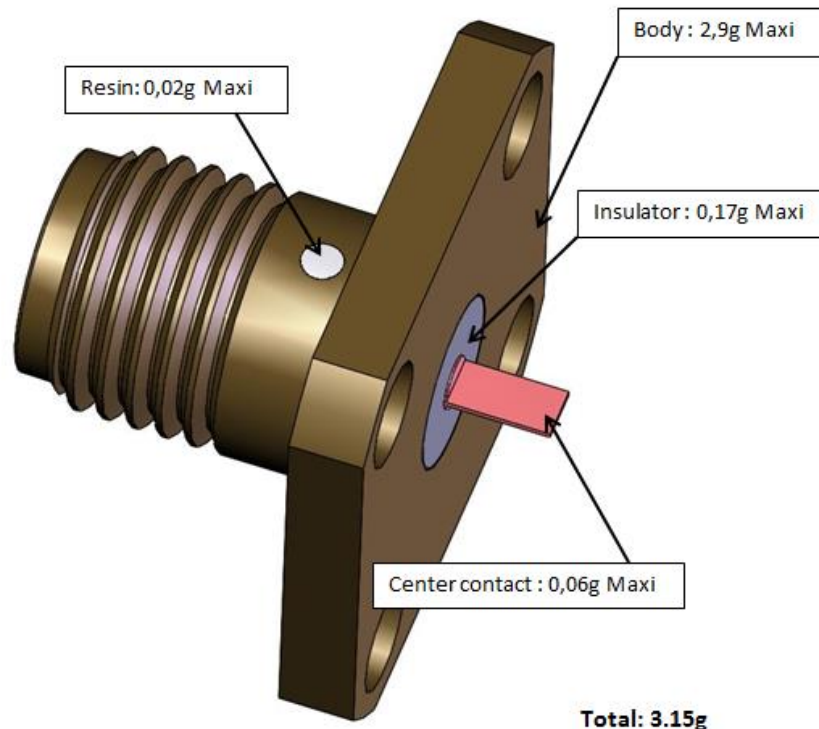


3- **3402002 variant 21 / variant 22 / variant 32 page 45 / 46 / 56**

Radiall requests to modify the weight of these 3 variant as explained below by drawing :

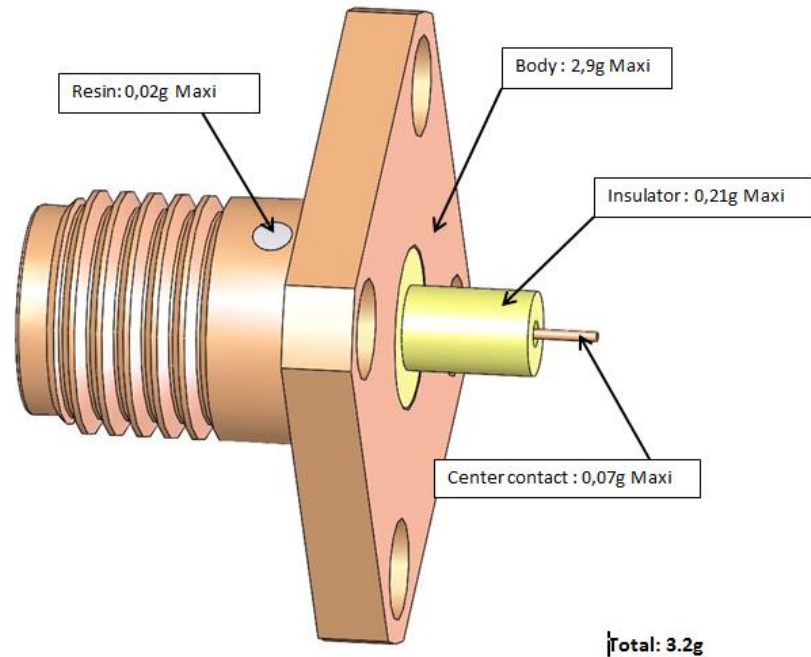
- ✓ Variant 21 : weight to be increased from 2.7g to 3.2g

ESCC340200221



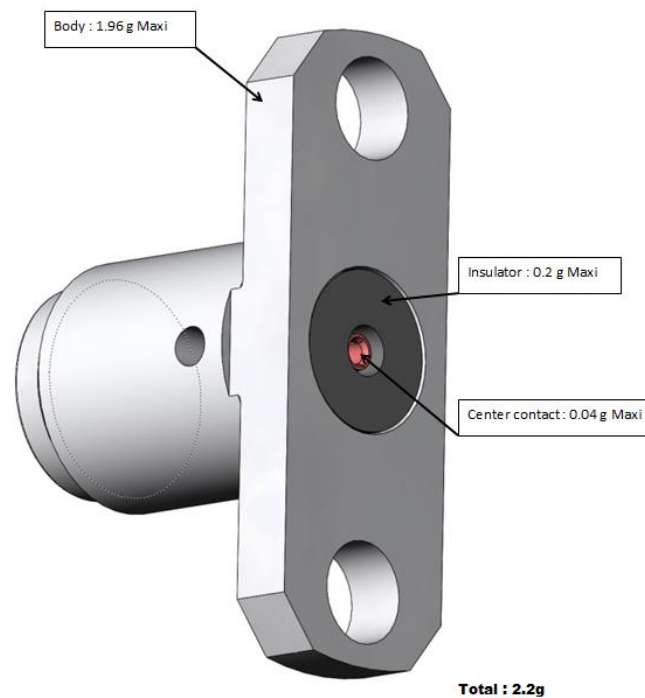
- ✓ Variant 22 : weight to be increased from 2.6g to 3,2g

ESCC340200222



- ✓ Variant 32 : weight to be increased from 2g to 2.2g

ESCC 340200232



Radiall has implemented a new design of SMA body to guarantee RF leakage performances and has increase the thickness of SMA body below the thread that increased the weight of the connectors.