



DOCUMENT CHANGE REQUEST

DCR number 423 Changes required for: N/A

Date: 2008/07/24

Date sent: 2008/07/24

Originator: aissa nehdi

Organisation: CNES

Status: IMPLEMENTED

Title: Transistors Low Power NPN, based on type 2N2484

Number: 5201/001

Issue: 3

Other documents affected:

5201/004-2, 5201/006-2, 5202/001-3, 5202/008-2, 5202/014-2

Page:

1.4.2 Component Type Variants page 5

1.6 PHYSICAL DIMENSIONS AND TERMINAL IDENTIFICATION page 6

Paragraph:

1.4.2 Component Type Variants page 5

1.6 PHYSICAL DIMENSIONS AND TERMINAL IDENTIFICATION page 6

Original wording:

Proposed wording:

Variants 6 & 7 added (Chip Carrier Package CCP) 3 terminal

Justification:

na

Attachments:

DCR423att.pdf, dcr423att08_09_19.pdf, null

Modifications:

See attachment

Approval signature:

Date signed:

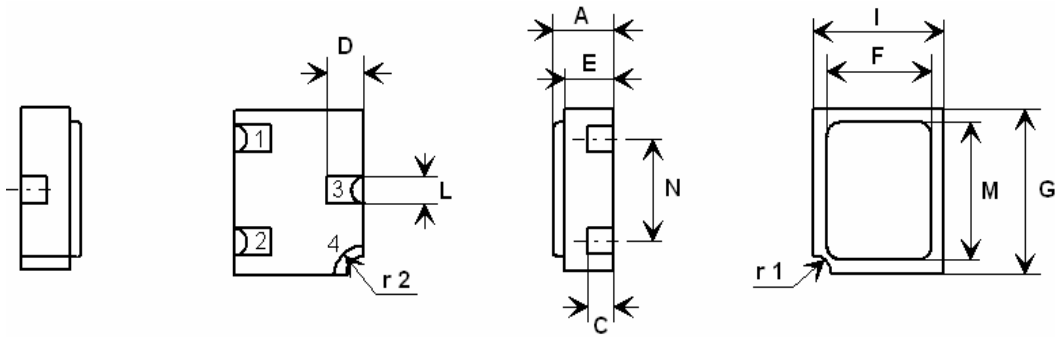
2008-07-24

1.4.2 Component Type Variants

The component type variants applicable to this specification are as follows:

Variant Number	Based on Type	Case	Lead/Terminal Material and finish	Weight max g
01	2N3700	TO-18	D2	0.4
02	2N3700	TO-18	D3 or D4	0.4
04	2N3700	CCP	2	0.06
05	2N3700	CCP	4	0.06
06	2N3700	CCP	2	0.06
07	2N3700	CCP	4	0.06

1.6.3 Chip Carrier Package (CCP) - 3 terminal



Symbols	Dimensions mm		Notes
	Min	Max	
A	1.15	1.5	
C	0.45	0.56	2
D	0.6	0.91	2
E	0.91	1.12	
F	1.9	2.15	
G	2.9	3.25	
I	2.4	2.85	
L	0.4	0.6	2
M	2.4	2.65	
N	1.8	2	
r1	0.3 TYPICAL		1
r2	0.56 TYPICAL		

NOTES:

- Terminal identification is specified by reference to the corner notch position where terminal
1 = emitter, terminal 2 = base, terminal 3 = collector, terminal 4 = Shielding connected to the lid.
- Applies to all terminals.

MODIFIED ATTACHMENT FOR DCL 423

Showing "APPROVED WORDING" if different
FROM "PROPOSED WORDING":

1.4.2 Component Type Variants

The component type variants applicable to this specification are as follows:

Variant Number	Based on Type	Case	Lead/Terminal Material and finish	Weight max g
01	2N3700	TO-18	D2	0.4
02	2N3700	TO-18	D3 or D4	0.4
04	2N3700	CCP	2	0.06
05	2N3700	CCP	4	0.06
06	2N3700	CCP	2	0.06
07	2N3700	CCP	4	0.06

(4 Terminal)

(3 Terminal)

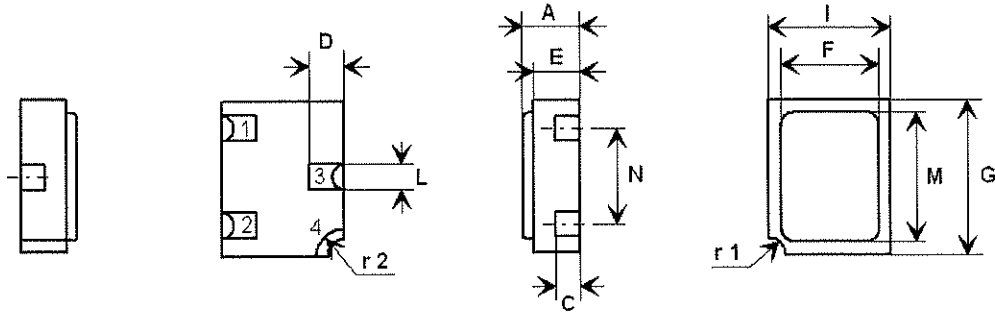
Note: Based on Type number as per applicable Detail Spec i.e.:
2N3700, 2N2907A, 2N5401, 2N4033, 2N2369A, 2N2484

1.7 Functional Diagram

see mark-up of Para 1.7 attached: *

4

1.6.3 Chip Carrier Package (CCP) - 4 terminal



Symbols	Dimensions mm		Notes
	Min	Max	
A	1.15	1.5	
C	0.45	0.56	2
D	0.6	0.91	2
E	0.91	1.12	
F	1.9	2.15	
G	2.9	3.25	
I	2.4	2.85	
L	0.4	0.6	2
M	2.4	2.65	
N	1.8	2	
r1	0.3 TYPICAL		1
r2	0.56 TYPICAL		1

NOTES:

- Terminal identification is specified by reference to the corner notch position where terminal 1 = emitter, terminal 2 = base, terminal 3 = collector, terminal 4 = ~~S~~ shielding connected to the lid.
- Applies to ~~all~~ terminals ~~1, 2, 3~~ S

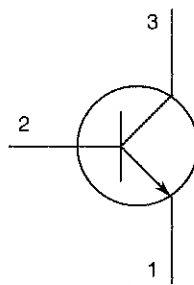
Symbols	Dimensions mm		Notes
	Min	Max	
A	1.15	1.5	
C	0.45	0.56	2
D	0.6	0.91	2
E	0.91	1.12	
F	1.9	2.15	
G	2.9	3.25	
I	2.4	2.85	
L	0.4	0.6	2
M	2.4	2.65	
N	1.8	2	
r	0.3 TYPICAL		1

NOTES:

- Terminal identification is specified by reference to the corner notch position where terminal 1 = emitter, terminal 2 = base, terminal 3 = collector.
- Applies to all terminals.

* 1.7

FUNCTIONAL DIAGRAM



- Emitter.
- Base.
- Collector.
- Shield

3 terminal

NOTES:

- For TO-18, the collector is internally connected to the case.
- For CCP, the lid is not connected to any terminal.
- For 4 terminal CCP (Variants 06, 07), the shielding terminal is connected to the lid.

1.8

MATERIALS AND FINISHES

Materials and finishes shall be as follows:

- Case
 - For the metal can package the case shall be hermetically sealed and have a metal body with hard glass seals.
 - For the chip carrier package the case shall be hermetically sealed and have a ceramic body with a Kovar lid.
- Leads/Terminals