



## DOCUMENT CHANGE REQUEST

DCR number            455            Changes required for: General  
Date: 2009/01/20            Date sent: 2009/01/20  
Status: IMPLEMENTED

Originator: S Jeffery - ESCC  
Organisation: ESA/ESTEC

Title: Transistors Low Power NPN, based on type 2N2484

Number: 5201/001            Issue: 4

Other documents affected:

5201/002-3, 5201/004-3, 5201/006-3, 5201/019-4, 5202/001-4, 5202/004-1, 5202/008-3, 5202/014-3, 5202/015-1

Page:

Physical Dimensions : Chip Carrier Package (CCP), both 3 terminal and 4 terminal

Paragraph:

Physical Dimensions : Chip Carrier Package (CCP), both 3 terminal and 4 terminal

Original wording:

Proposed wording:

Replace the existing Para(s). 1.6.x (CCP Physical Dimensions) in each spec with new 3 and, where applicable, 4 terminal CCP physical dimensions. See attached for the new 3 terminal and 4 terminal physical dimensions.

Justification:

The existing drawings for CCP packages did not include important dimensions there is a need to clarify the positions of the terminals.

Attachments:

New\_CCP\_3\_and\_4\_Term\_DCR.pdf, null

Modifications:

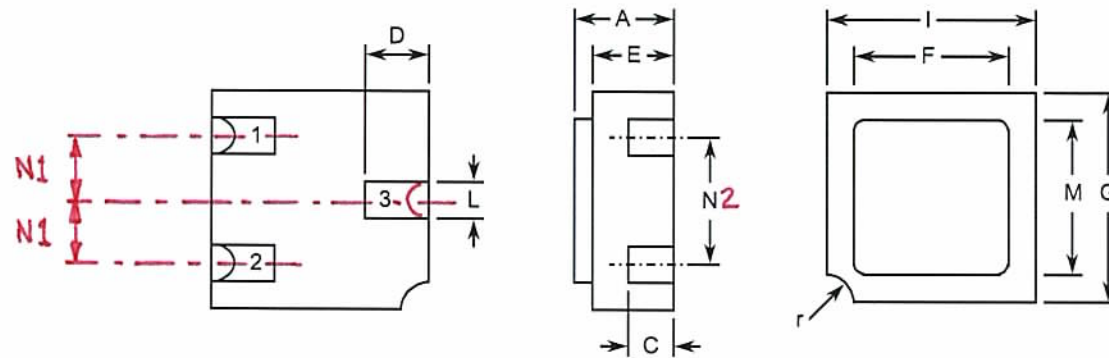
N/A

Approval signature:

A handwritten signature in black ink, appearing to read "A. G. Switzer". The signature is written in a cursive style with a prominent initial "A" and a long, sweeping underline.

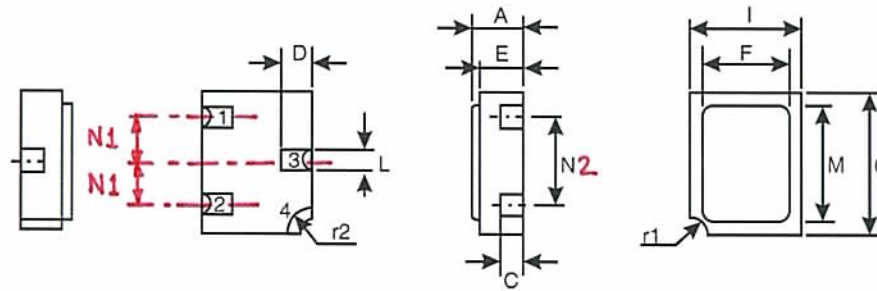
Date signed:

2009-01-20



Symbols	Dimensions mm		Notes
	Min	Max	
A	1.15	1.5	
C	0.45	0.56	2
D	0.6	0.91	2
E	0.91	1.12	
F	1.9	2.15	
G	2.9	3.25	
I	2.4	2.85	
L	0.4	0.6	2
M	2.4	2.65	
N2	1.8	2	
r	0.3 TYPICAL		1
N1	0.855	1.055	

NB This is only applicable to Detail Specs 5201/001, 5201/002, 5201/004, 5201/006, 5201/019, 5202/001, 5202/008 and 5202/014 (see "Other Documents Affected" Section of the DCR)



Symbols	Dimensions mm		Notes
	Min	Max	
A	1.15	1.5	
C	0.45	0.56	2
D	0.6	0.91	2
E	0.91	1.12	
F	1.9	2.15	
G	2.9	3.25	
I	2.4	2.85	
L	0.4	0.6	2
M	2.4	2.65	
N2	1.8	2	
r1	0.3 TYPICAL		1
r2	0.56 TYPICAL		1

N1	0.855	1.055	
----	-------	-------	--