



Pages 1 to 25

**RELAYS, ELECTROMAGNETIC, LATCHING  
28VDC, 2A, 2PDT, HALF-SIZE CRYSTAL CAN**

**ESCC Detail Specification No. 3602/003**

**ISSUE 2  
August 2003**



Document Custodian: European Space Agency - see <https://escies.org>




### LEGAL DISCLAIMER AND COPYRIGHT

European Space Agency, Copyright © 2003. All rights reserved.

The European Space Agency disclaims any liability or responsibility, to any person or entity, with respect to any loss or damage caused, or alleged to be caused, directly or indirectly by the use and application of this ESCC publication.

This publication, without the prior permission of the European Space Agency and provided that it is not used for a commercial purpose, may be:

- copied in whole in any medium without alteration or modification.
- copied in part, in any medium, provided that the ESCC document identification, comprising the ESCC symbol, document number and document issue, is removed.

	<p>ESCC Detail Specification No. 3602/003</p>	<p>PAGE 2 ISSUE 2</p>
---	---	---------------------------

**DOCUMENTATION CHANGE NOTICE**

(Refer to <https://escies.org> for ESCC DCR content)

DCR No.	CHANGE DESCRIPTION
40, 64	Specification upissued to incorporate editorial and technical changes per DCR.

	<p style="text-align: center;">ESCC Detail Specification No. 3602/003</p>		<p>PAGE 3 ISSUE 2</p>
---	---	--	---------------------------

**TABLE OF CONTENTS**

	<u>Page</u>
<b>1. <u>GENERAL</u></b>	<b>5</b>
1.1 Scope	5
1.2 Component Type Variants	5
1.3 Maximum Ratings	5
1.4 Parameter Derating Information	5
1.5 Physical Dimensions	5
1.6 Circuit Schematic	5
<b>2. <u>APPLICABLE DOCUMENTS</u></b>	<b>5</b>
<b>3. <u>TERMS, DEFINITIONS, ABBREVIATIONS, SYMBOLS AND UNITS</u></b>	<b>5</b>
<b>4. <u>REQUIREMENTS</u></b>	<b>17</b>
4.1 General	17
4.2 Deviations from Generic Specification	17
4.2.1 Deviations from Special In-process Controls	17
4.2.2 Deviations from Final Production Tests	17
4.2.3 Deviations from Screening Tests	17
4.2.4 Deviations from Qualification Tests	17
4.2.5 Deviations from Lot Acceptance Tests	17
4.3 Mechanical Requirements	18
4.3.1 Dimension Check	18
4.3.2 Weight	18
4.3.3 Terminal Strength	18
4.4 Materials and Finishes	18
4.4.1 Case	18
4.4.2 Terminal Material and Finish	18
4.5 Marking	18
4.5.1 General	18
4.5.2 Terminal Identification	18
4.5.3 The ESCC Component Number	19
4.5.4 Electrical Characteristics	19
4.5.5 Traceability Information	19
4.6 Electrical Measurements	19
4.6.1 Electrical Measurements at Room Temperature	19
4.6.2 Electrical Measurements at High and Low Temperatures	19
4.6.3 Circuits for Electrical Measurements	19
4.7 Screening	19
4.7.1 Miss Test	19
4.7.2 Conditions for Screening	19
4.7.3 Electrical Circuits for Screening	19
4.8 Environmental and Endurance Tests	23
4.8.1 Measurements and Inspections on Completion of Environmental Tests	23
4.8.2 Measurements and Inspections during Endurance Tests	23
4.8.3 Measurements and Inspections on Completion of Endurance Tests	23
4.8.4 Conditions for Operating Life Tests	23
4.8.5 Electrical Circuits for Operating Life Tests	23

	<p style="text-align: center;">ESCC Detail Specification No. 3602/003</p>		<p>PAGE 4 ISSUE 2</p>
---	---	--	---------------------------

<b><u>TABLES</u></b>		<u>Page</u>
1(a)	Type Variants	6
1(b)	Maximum Ratings	6
2	Electrical Measurements at Room Temperature	20
3	Electrical Measurements at High and Low Temperatures	21
4	Measurements during Screening	22
5(a)	Conditions for Screening	22
5(b)	Conditions for Operating Life Test	22
6	Measurements and Inspections on Completion of Environmental Tests and at Intermediate Points during and on Completion of Endurance Testing	24

<b><u>FIGURES</u></b>		
1	Not applicable	N/A
2	Physical Dimensions	7
3	Circuit Schematic	16
4	Circuits for Electrical Measurements	22
5(a)	Electrical Circuits for Screening	22
5(b)	Electrical Circuits for Operating Life Test	22

**APPENDICES (Applicable to specific Manufacturers only)**  
None.

	<p style="text-align: center;">ESCC Detail Specification No. 3602/003</p>	<p>PAGE 5 ISSUE 2</p>
---	---	---------------------------

**1. GENERAL**

**1.1 SCOPE**

This specification details the ratings, physical and electrical characteristics, test and inspection data for a Relay, Electromagnetic, Latching, 28Vdc, 2A, 2PDT, in a half-size crystal can. It shall be read in conjunction with ESCC Generic Specification No.3602, the requirements of which are supplemented herein.

**1.2 COMPONENT TYPE VARIANTS**

Variants of the basic type relays specified herein, which are also covered by this specification, are given in Table 1(a).

**1.3 MAXIMUM RATINGS**

The maximum ratings, which shall not be exceeded at any time during use or storage, applicable to the relays specified herein, are as scheduled in Table 1(b).

**1.4 PARAMETER DERATING INFORMATION (FIGURE 1)**

Not applicable.

**1.5 PHYSICAL DIMENSIONS**

The physical dimensions of the relays specified herein are shown in Figure 2.

**1.6 CIRCUIT SCHEMATIC**

The circuit schematic, showing lead identification etc. for the relays specified herein, is shown in Figure 3.

**2. APPLICABLE DOCUMENTS**

The following documents form part of this specification and shall be read in conjunction with it:-

- (a) ESCC Generic Specification No. 3602 for Relays, Electromagnetic, Latching.
- (b) MIL-STD-202, Test Methods for Electronic and Electrical Component Parts.

**3. TERMS, DEFINITIONS, ABBREVIATIONS, SYMBOLS AND UNITS**

For the purpose of this specification, the terms, definitions, abbreviations, symbols and units specified in ESCC Basic Specification No. 21300 shall apply.



**TABLE 1(a) - TYPE VARIANTS**

VARIANT	DESCRIPTION	FIGURE
01	Relay with Plug-in Terminals and Plain Case	2(a)
02	Relay with Plug-in Terminals and Horizontal Shoulder Brackets	2(b)
03	Relay with Solderable, Hook-end Terminals and Vertical Shoulder Brackets	2(c)
04	Relay with Plug-in Terminals and Vertical Shoulder Brackets	2(d)
05	Relay with Solderable, Hook-end Terminals and Plain Case	2(e)
06	Relay with Solderable, Hook-end Terminals and Horizontal Shoulder Brackets	2(f)
07	Relay with Plug-in Terminals and Horizontal Shoulder Brackets (4 Holes)	2(g)
08	Relay with Solderable, Hook-end Terminals and Horizontal Shoulder Brackets (4 Holes)	2(h)
09	Relay with Plug-in Terminals and Plain Case	2(i)

**TABLE 1(b) - MAXIMUM RATINGS**

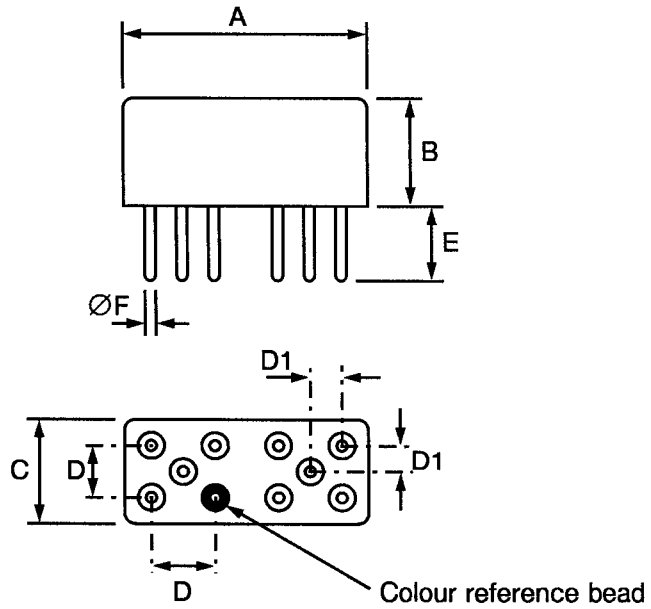
No.	CHARACTERISTICS	SYMBOL	MAXIMUM RATING	UNIT	REMARKS
1	Rated Coil Voltage:- 26V 12V 6V	$V_{CR}$	26.5 12 6.0	Vdc	Note 3
2	Coil Voltage Range:- 26V 12V 6V	$V_{CR}$	25 to 32 11 to 15 5.5 to 7.5	Vdc	
3	Rated Contact Current Resistive Load	$I_{CR}$	2.0	A	28Vdc resistive Note 1
4	Overload Current Resistive	$I_{over}$	4.0	A	28Vdc resistive See Table 6
5	Rated Contact Current Inductive Load	$I_{CL}$	0.4	A	28Vdc inductive 0.32 Henry Note 1
6	Contact Resistance	$R_C$	50	m $\Omega$	
7	High Temperature	$T_{amb}$	+ 125	$^{\circ}C$	
8	Low Temperature	$T_{amb}$	- 65	$^{\circ}C$	
9	Soldering Temperature	$T_{sol}$	+ 260	$^{\circ}C$	Note 2

**NOTES**

1. Relays should not be used in change over-mode where the potential difference between stationary contacts is greater than 10V and the switched current is greater than 0.1A.
2. Duration 10 seconds maximum at a distance of not less than 1.5mm from the device body and the same terminal shall not be resoldered until 3 minutes have elapsed.
3. The coil Voltage rise time shall be less than  $0.1t_L$  or  $t_r$ . The coil voltage shall be applied for a minimum time of  $10t_L$  or  $10t_r$ .

**FIGURE 2 - PHYSICAL DIMENSIONS**

FIGURE 2(a) - VARIANT 01, RELAY WITH PLUG-IN TERMINALS AND PLAIN CASE

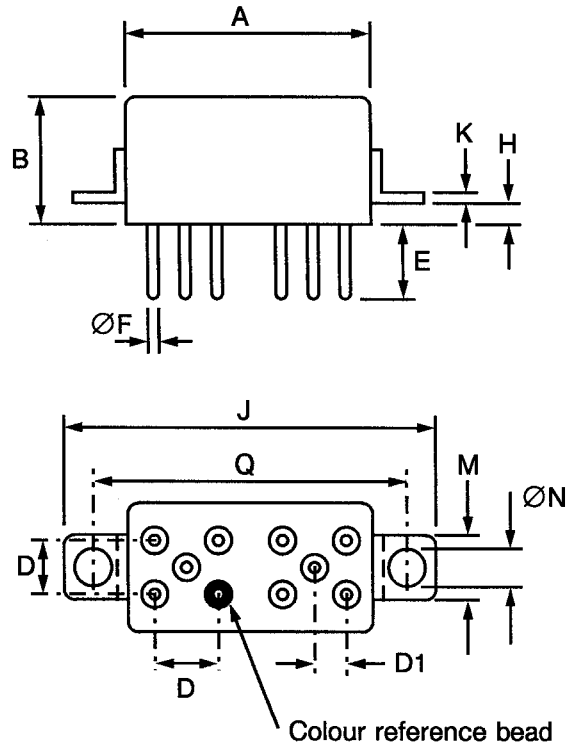


SYMBOL	MILLIMETRES	
	MIN.	MAX.
A	-	20.57
B	-	10.41
C	-	10.41
D	4.98	5.18
D1	2.40	2.70
E	4.24	5.40
$\varnothing F$	0.66	0.86



**FIGURE 2 - PHYSICAL DIMENSIONS (CONTINUED)**

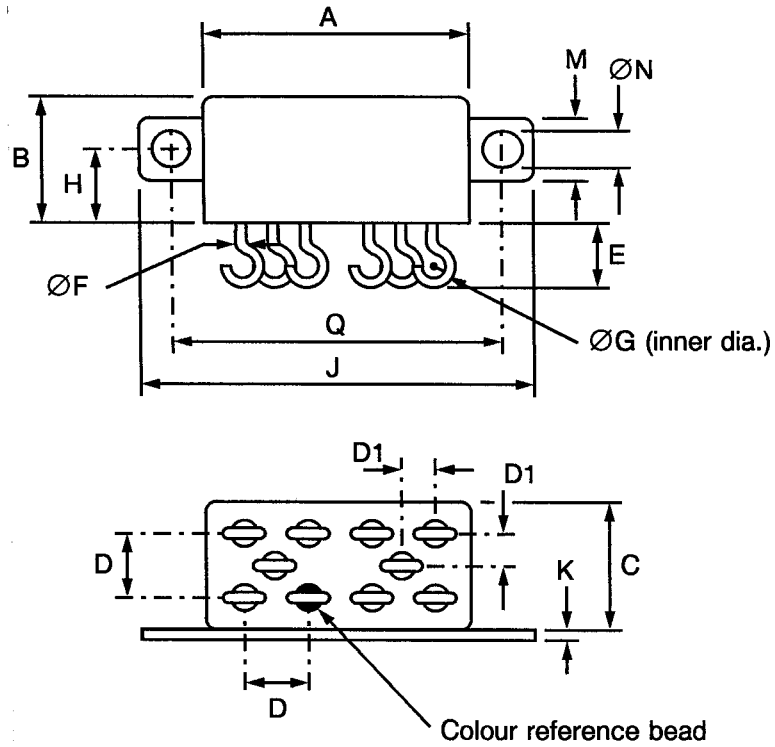
**FIGURE 2(b) - VARIANT 02, RELAY WITH PLUG-IN TERMINALS AND HORIZONTAL SHOULDER BRACKETS**



SYMBOL	MILLIMETRES	
	MIN.	MAX.
A	-	20.57
B	-	10.41
D	4.98	5.18
D1	2.40	2.70
E	4.24	5.40
ØF	0.66	0.86
H	3.05	3.30
J	-	32.90
K	0.51	0.76
M	6.22	8.10
ØN	3.00	3.55
Q	26.60	27.40

**FIGURE 2 - PHYSICAL DIMENSIONS (CONTINUED)**

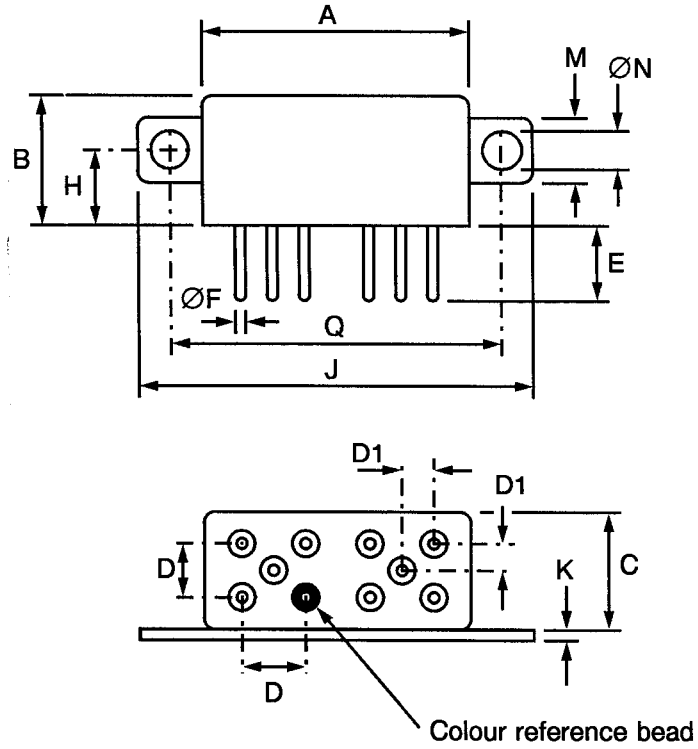
**FIGURE 2(c) - VARIANT 03, RELAY WITH SOLDERABLE, HOOK-END TERMINALS AND VERTICAL SHOULDER BRACKETS**



SYMBOL	MILLIMETRES	
	MIN.	MAX.
A	-	20.57
B	-	10.41
C	-	11.00
D	4.98	5.18
D1	2.40	2.70
E	4.11	4.83
ØF	0.66	0.86
ØG	-	1.80
H	5.97	6.73
J	-	32.64
K	0.38	0.90
M	6.22	8.00
ØN	3.00	3.55
Q	26.80	27.20

**FIGURE 2 - PHYSICAL DIMENSIONS (CONTINUED)**

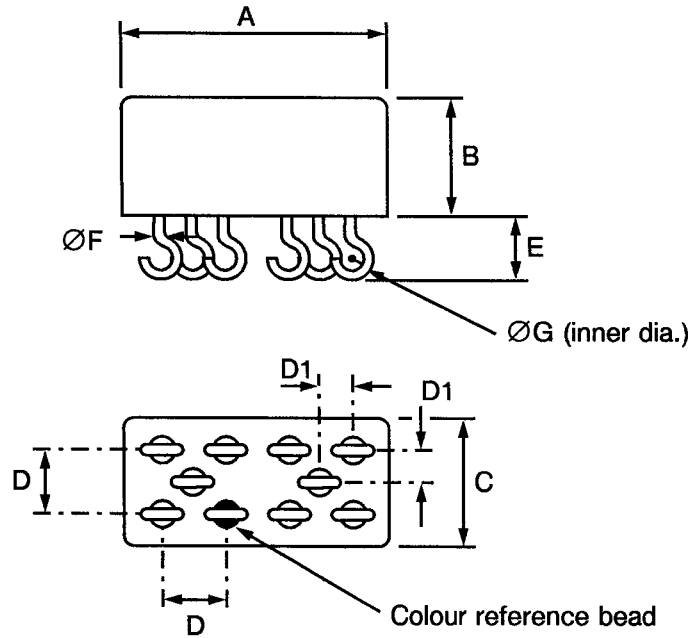
**FIGURE 2(d) - VARIANT 04, RELAY WITH PLUG-IN TERMINALS AND VERTICAL SHOULDER BRACKETS**



SYMBOL	MILLIMETRES	
	MIN.	MAX.
A	-	20.57
B	-	10.41
C	-	10.41
D	4.98	5.18
D1	2.40	2.70
E	4.24	5.40
ØF	0.66	0.86
H	5.97	6.73
J	-	32.64
K	0.38	0.90
M	6.22	8.00
ØN	3.00	3.55
Q	26.80	27.20

**FIGURE 2 - PHYSICAL DIMENSIONS (CONTINUED)**

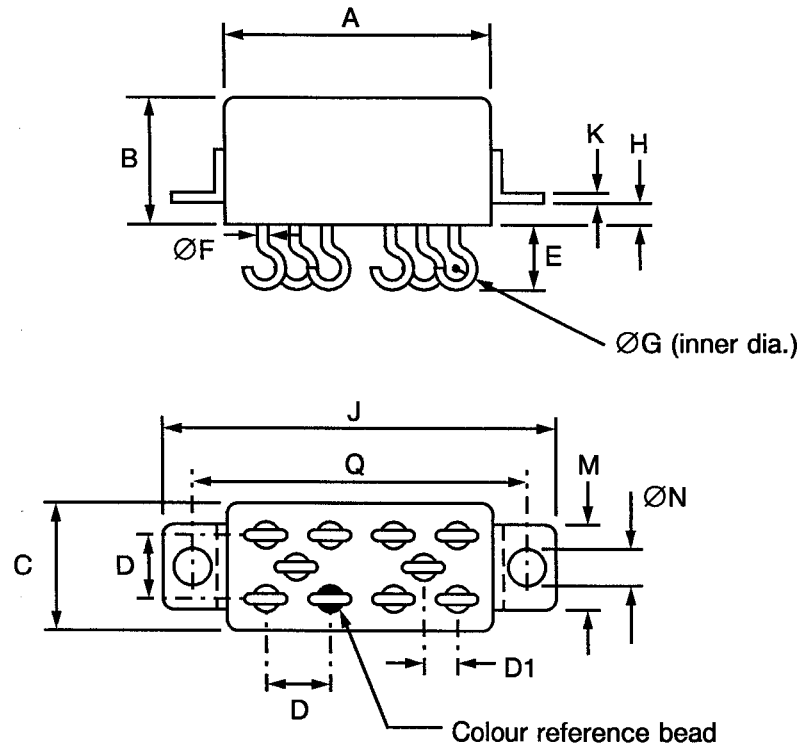
**FIGURE 2(e) - VARIANT 05, RELAY WITH SOLDERABLE, HOOK-END TERMINALS AND PLAIN CASE**



SYMBOL	MILLIMETRES	
	MIN.	MAX.
A	-	20.57
B	-	10.41
C	-	10.41
D	4.98	5.18
D1	2.40	2.70
E	4.11	4.83
ØF	0.66	0.86
ØG	-	1.80

**FIGURE 2 - PHYSICAL DIMENSIONS (CONTINUED)**

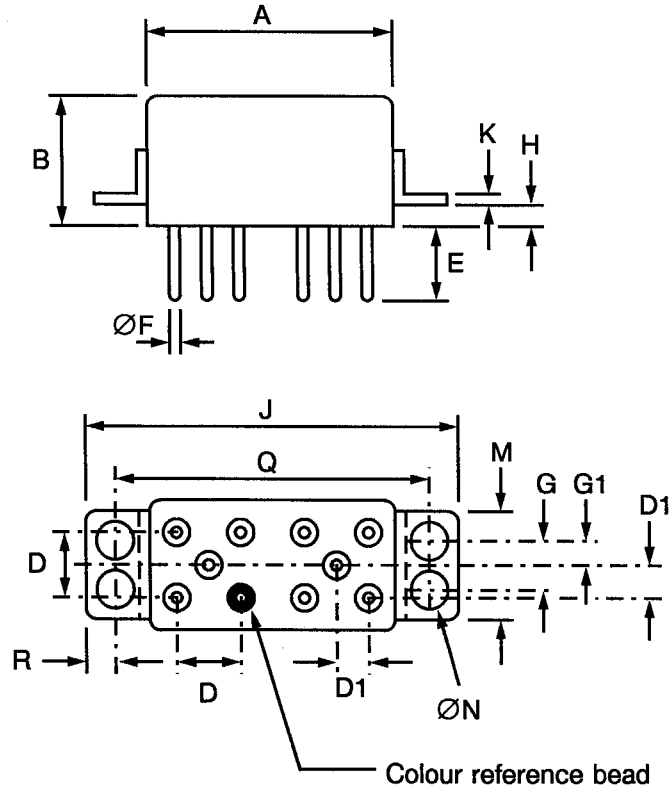
**FIGURE 2(f) - VARIANT 06, RELAY WITH SOLDERABLE, HOOK-END TERMINALS AND HORIZONTAL SHOULDER BRACKETS**



SYMBOL	MILLIMETRES	
	MIN.	MAX.
A	-	20.57
B	-	10.41
C	-	10.41
D	4.98	5.18
D1	2.40	2.70
E	4.11	4.83
ØF	0.66	0.86
ØG	1.70	1.80
H	3.05	3.30
J	-	32.90
K	0.51	0.76
M	6.22	8.10
ØN	3.00	3.55
Q	26.60	27.40

**FIGURE 2 - PHYSICAL DIMENSIONS (CONTINUED)**

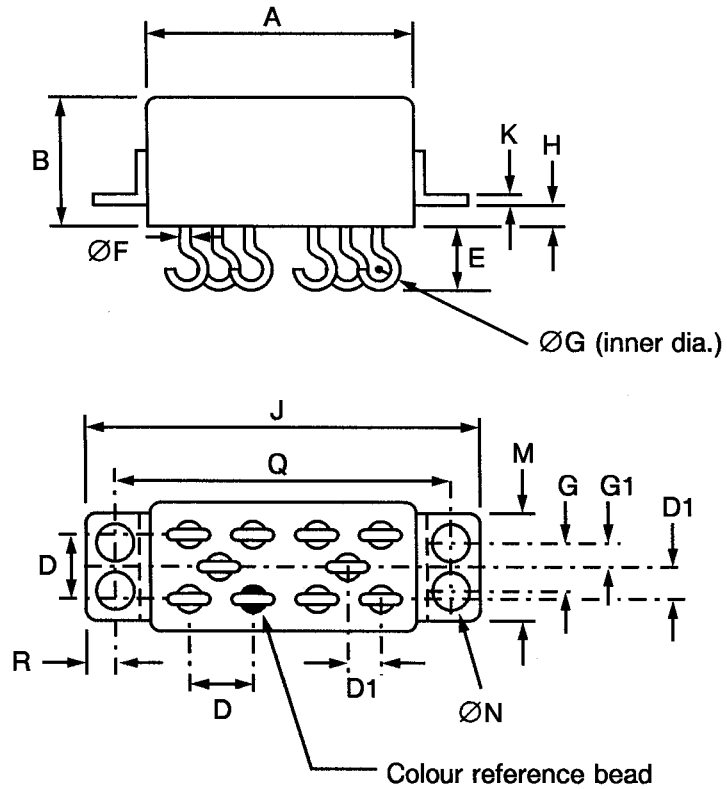
**FIGURE 2(g) - VARIANT 07, RELAY WITH PLUG-IN TERMINALS AND HORIZONTAL SHOULDER BRACKETS (4 HOLES)**



SYMBOL	MILLIMETRES	
	MIN.	MAX.
A	-	20.30
B	-	10.40
D	5.00	5.20
D1	2.40	2.70
E	4.80	5.30
ØF	0.66	0.86
G	3.10	3.30
G1	1.50	1.70
H	3.10	3.30
J	29.80	30.00
K	0.50	0.80
M	9.30	9.70
ØN	2.20	2.60
Q	25.30	25.50
R	2.20	2.40

**FIGURE 2 - PHYSICAL DIMENSIONS (CONTINUED)**

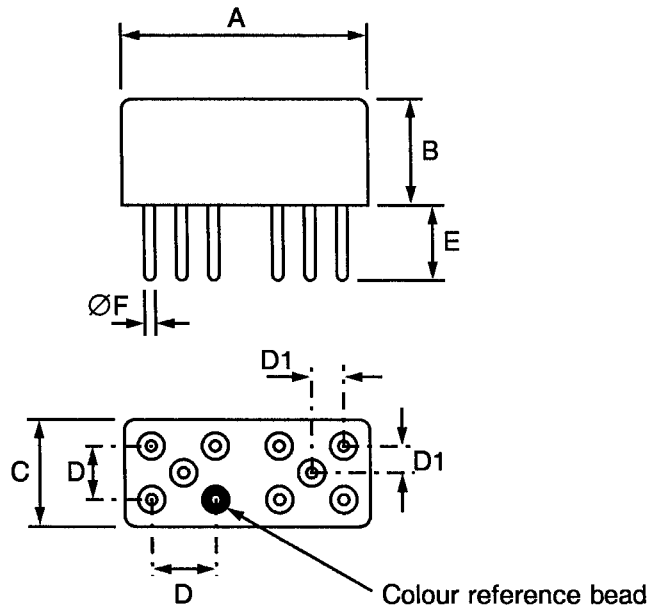
**FIGURE 2(h) - VARIANT 08, RELAY WITH SOLDERABLE HOOK-END TERMINALS AND HORIZONTAL SHOULDER BRACKETS (4 HOLES)**



SYMBOL	MILLIMETRES	
	MIN.	MAX.
A	-	20.30
B	-	10.40
D	5.00	5.20
D1	2.40	2.70
E	4.10	4.80
ØF	0.64	0.89
ØG	1.70	1.90
G	3.10	3.30
G1	1.50	1.70
H	3.10	3.30
J	29.80	30.00
K	0.50	0.80
M	9.30	9.70
ØN	2.20	2.60
Q	25.30	25.50
R	2.20	2.40

**FIGURE 2 - PHYSICAL DIMENSIONS**

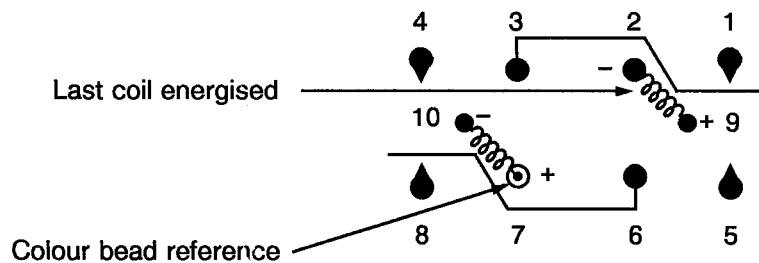
**FIGURE 2(i) - VARIANT 01, RELAY WITH PLUG-IN TERMINALS AND PLAIN CASE**



SYMBOL	MILLIMETRES	
	MIN.	MAX.
A	-	20.57
B	-	10.41
C	-	10.41
D	4.98	5.18
D1	2.40	2.70
E	6.20	6.86
ØF	0.66	0.86



**FIGURE 3 - CIRCUIT SCHEMATIC**



**NOTES**

1. Numbers are for information only.

LEAD IDENTIFICATION AS VIEWED FROM HEADER



#### 4. REQUIREMENTS

##### 4.1 GENERAL

The complete requirements for procurement of the relays specified herein shall be as stated in this specification and ESCC Generic Specification No. 3602 for Relays, Electromagnetic Latching. Deviations from the Generic Specification, applicable to this specification only, are listed in Para. 4.2.

Deviations from the applicable Generic Specification and this Detail Specification, formally agreed with specific Manufacturers on the basis that the alternative requirements are equivalent to the ESCC requirements and do not affect the components' reliability, are listed in the appendices attached to this specification.

##### 4.2 DEVIATIONS FROM GENERIC SPECIFICATION

###### 4.2.1 Deviations from Special In-process Controls

None.

###### 4.2.2 Deviations from Final Production Tests (Chart II)

None.

###### 4.2.3 Deviations from Screening Tests (Chart III)

None.

###### 4.2.4 Deviations from Qualification Tests (Chart IV)

(a) Para. 9.11, Mechanical Shock: Test Condition 'A'.

###### 4.2.5 Deviations from Lot Acceptance Tests (Chart V)

(a) Para. 9.11, Mechanical Shock: Test Condition 'A'.



#### 4.3 MECHANICAL REQUIREMENTS

##### 4.3.1 Dimension Check

The dimensions of the relays specified herein shall be verified in accordance with the requirements set out in Para. 9.5 of ESCC Generic Specification No. 3602 and shall conform to those shown in Figure 2.

##### 4.3.2 Weight

The maximum weight of the relays specified herein shall be 8.5 grammes.

##### 4.3.3 Terminal Strength

The requirements for terminal strength testing are specified in Section 9 of ESCC Generic Specification No. 3602. The test conditions shall be as follows:-

###### **Pull Test**

Applied Force:  $1.4 \pm 1.4$  Newtons.

Duration: 10 seconds.

#### 4.4 MATERIALS AND FINISHES

The materials and finishes shall be as specified herein. Where a definite material is not specified, a material which will enable the relays specified herein to meet the performance requirements of this specification shall be used. Acceptance or approval of any constituent material does not guarantee acceptance of the finished product.

##### 4.4.1 Case

Copper nickel, welded construction. Electro-deposited tin shall not be used. EP 90/10 SnPb alloy may be used.

##### 4.4.2 Terminal Material and Finish

The terminal material shall be Type 'H' with Type '3' finish in accordance with the requirements of ESCC Basic Specification No. 23500.

#### 4.5 MARKING

##### 4.5.1 General

The marking of all components delivered to this specification shall be in accordance with the requirements of ESCC Basic Specification No. 21700 and the following paragraphs. When the component is too small to accommodate all of the marking specified, as much as space permits shall be marked and the marking information, in full, shall accompany the component in its primary package.

The information to be marked and the order of precedence, shall be as follows:-

- (a) Terminal Identification.
- (b) The ESCC Component Number.
- (c) Electrical Characteristics.
- (d) Traceability Information.

##### 4.5.2 Terminal Identification

Terminal identification shall be marked on the relay can in accordance with Figure 3.

#### 4.5.3 The ESCC Component Number

Each component shall bear the ESCC Component Number which shall be constituted and marked as follows:

Detail Specification Number \_\_\_\_\_ 360200302B  
Type Variant (see Table 1(a)) \_\_\_\_\_  
Testing Level \_\_\_\_\_

#### 4.5.4 Electrical Characteristics

The electrical characteristic to be marked is the rated coil voltage. The information shall be constituted and marked as follows:-

Coil Voltage	Coil Resistance	Code
26.5Vdc	900Ω	26V
12Vdc	190Ω	12V
6.0Vdc	50Ω	6V

#### 4.5.5 Traceability Information

Each component shall be marked in respect of traceability information as defined in ESCC Basic Specification No. 21700.

#### 4.6 ELECTRICAL MEASUREMENTS

##### 4.6.1 Electrical Measurements at Room Temperature

The parameters to be measured at room temperature are scheduled in Table 2. Unless otherwise specified, the measurements shall be performed at  $T_{amb} = +22 \pm 3$  °C.

##### 4.6.2 Electrical Measurements at High and Low Temperatures

The parameters to be measured at high and low temperatures are scheduled in Table 3.

##### 4.6.3 Circuits for Electrical Measurements (Figure 4)

Not applicable.

#### 4.7 SCREENING

##### 4.7.1 Miss Test

During the miss test, the contact resistance shall be continuously monitored and shall not exceed the values specified in Table 4 of this specification.

##### 4.7.2 Conditions for Screening

The requirements for screening are specified in Section 7 of ESCC Generic Specification No. 3602. The conditions for screening shall be as specified in Table 5(a) of this specification.

##### 4.7.3 Electrical Circuits for Screening (Figure 5(a))

Not applicable.

**TABLE 2 - ELECTRICAL MEASUREMENTS AT ROOM TEMPERATURE**

No.	CHARACTERISTICS	SYMBOL	ESCC 3602 TEST METHOD	TEST CONDITION	LIMITS		UNIT
					MIN.	MAX.	
1	Latch Voltage:- 26V 12V 6V	$U_L$	Para. 9.3.1	Para. 9.3.1	8.0 4.0 2.0	13.5 6.8 3.2	V
2	Reset Voltage:- 26V 12V 6V	$U_R$	Para. 9.3.2	Para. 9.3.2	8.0 4.0 2.0	13.5 6.8 3.2	V
3	Latch Time	$t_L$	Para. 9.3.4	Para. 9.3.4	-	4.0	ms
4	Reset Time	$t_r$	Para. 9.3.4	Para. 9.3.4	-	4.0	ms
5	Bounce Time	$t_b$	Para. 9.3.4	Para. 9.3.4	-	2.0	ms
6	Insulation Resistance	$R_i$	Para. 9.3.7	Para. 9.3.7 at 100Vdc	10000	-	M $\Omega$
7	Voltage Proof	VP	Para. 9.3.6	Para. 9.3.6 Note 1	1000	-	Vrms
8	Contact Voltage Drop	$V_d$	Para. 9.3.3	Para. 9.3.3	-	5.0	mV
9	Coil Resistance Latch - 26V - 12V - 6V Reset - 26V - 12V - 6V	$R_{BL}$   $R_{BR}$	Para. 9.3.5	Para. 9.3.5	810 170 45 810 170 45	990 210 55 990 210 55	$\Omega$

**NOTES**

1. 500V between coil and case - between open contacts - between coils.



**TABLE 3 - ELECTRICAL MEASUREMENTS AT HIGH AND LOW TEMPERATURES**

No.	CHARACTERISTICS	SYMBOL	ESCC 3602 TEST METHOD	TEST CONDITION	LIMITS		UNIT
					MIN.	MAX.	
1	Latch Voltage:- 26V 12V 6V	$U_L$	Para. 9.3.1	Para. 9.3.1	- - -	18.0 9.8 4.6	V
2	Reset Voltage:- 26V 12V 6V	$U_R$	Para. 9.3.2	Para. 9.3.2	- - -	18.0 9.8 4.6	V
3	Latch Time	$t_L$	Para. 9.3.4	Para. 9.3.4	-	5.0	ms
4	Reset Time	$t_r$	Para. 9.3.4	Para. 9.3.4	-	5.0	ms
5	Bounce Time	$t_b$	Para. 9.3.4	Para. 9.3.4	-	2.0	ms
6	Insulation Resistance	$R_i$	Para. 9.3.7	Para. 9.3.7 at 100Vdc Note 1	100	-	M $\Omega$

**NOTES**

1. This measurement shall be made only at the high temperature condition.

**FIGURE 4 - CIRCUITS FOR ELECTRICAL MEASUREMENTS**

Not applicable.

**TABLE 4 - MEASUREMENTS DURING SCREENING**

No.	CHARACTERISTICS	SYMBOL	ESCC 3602 TEST METHOD	TEST CONDITIONS	MAXIMUM LIMIT	UNIT
10	Miss Test, Contact Resistance	R <sub>C</sub>	Para. 9.8	Para. 9.8	100	Ω

**TABLE 5(a) - CONDITIONS FOR SCREENING**

No.	CHARACTERISTICS	SYMBOL	CONDITION	UNIT
1	Ambient High Temperature	T <sub>amb</sub>	+125(+0-3)	°C
2	Ambient Low Temperature	T <sub>amb</sub>	-65(+3-0)	°C
3	Ambient Room Temperature	T <sub>amb</sub>	+22 ± 3	°C

**TABLE 5(b) - CONDITIONS FOR OPERATING LIFE TEST**

No.	CHARACTERISTICS	SYMBOL	CONDITION	UNIT
1	Ambient High Temperature	T <sub>amb</sub>	+125(+0-3)	°C
2	Contact Load, Resistive	V I	28 2.0	Vdc Adc

**FIGURE 5(a) - ELECTRICAL CIRCUITS FOR SCREENING**

Not applicable.

**FIGURE 5(b) - ELECTRICAL CIRCUITS FOR OPERATING LIFE TEST**

Not applicable.



4.8 ENVIRONMENTAL AND ENDURANCE TESTS (CHARTS IV AND V OF ESCC GENERIC SPECIFICATION No. 3602)

4.8.1 Measurements and Inspections on Completion of Environmental Tests

The parameters to be measured and inspections to be performed on completion of environmental tests are scheduled in Table 6. Unless otherwise stated, the measurements shall be performed at  $T_{amb} = +22 \pm 3 \text{ }^{\circ}\text{C}$ .

4.8.2 Measurements and Inspections during Endurance Tests

The parameters to be measured and inspections to be performed during endurance tests are scheduled in Table 6. Unless otherwise stated, the measurements shall be performed at  $T_{amb} = +22 \pm 3 \text{ }^{\circ}\text{C}$ .

4.8.3 Measurements and Inspections on Completion of Endurance Tests

The parameters to be measured and inspections to be performed on completion of endurance tests are scheduled in Table 6. Unless otherwise stated, the measurements shall be performed at  $T_{amb} = +22 \pm 3 \text{ }^{\circ}\text{C}$ .

4.8.4 Conditions for Operating Life Tests (Part of Endurance Testing)

The requirements for operating life testing are specified in Section 9 of ESCC Generic Specification No. 3602. The conditions for operating life testing shall be as specified in Table 5(b) of this specification.

4.8.5 Electrical Circuits for Operating Life Tests (Figure 5(b))

Not applicable.





**TABLE 6 - MEASUREMENTS AND INSPECTIONS ON COMPLETION OF ENVIRONMENTAL TESTS AND AT INTERMEDIATE POINTS AND ON COMPLETION OF ENDURANCE TESTING**

No.	ESCC GENERIC SPEC. NO. 3602		MEASUREMENTS AND INSPECTIONS		SYMBOL	LIMITS		UNIT
	ENVIRONMENTAL AND ENDURANCE TESTS (1)	TEST METHOD AND CONDITIONS	IDENTIFICATION	CONDITIONS		MIN.	MAX.	
01	Vibration	Para. 9.10 and Para. 4.2.4 of this spec.	<b>Measurements during Test</b> Contact Monitoring  <b>Final Measurements</b> Visual Examination	ESCC 3602 Para. 9.10  -	-  -	-  -	-  -	-
02	Mechanical Shock	Para. 9.11 and Para. 4.2.4 of this spec.	<b>Measurements during Test</b> Contact Monitoring  <b>Final Measurements</b> Electrical Measurements Visual Examination	ESCC 3602 Para. 9.11  Table 2 Items 7-8-1-2 -	-  -	-  -	-  -	-
03	Overload	Para. 9.12 and Table 1(b) Item 4 of this spec.	<b>Measurements during Test</b> Contact Voltage Drop  <b>Final Measurements</b> Fuse Continuity Contact Voltage Drop Insulation Resistance Voltage Proof (all Points) Electrical Measurements	ESCC 3602 Para. 9.12.1  - Table 2 Item 8 Table 2 Item 6 Table 2 Item 7 Table 2 Items 1-2-3-4-5-9	V <sub>d</sub>  - V <sub>d</sub> R <sub>i</sub> VP	Para. 9.12.1  Continuity - 20 5000 - Table 2 Table 2	mV  mV MΩ Vrms	
04	Thermal Shock	Para. 9.13	<b>During 5th Cycle</b>  Electrical Measurements at +125°C Electrical Measurements at -65°C <b>Final Measurements</b> Visual Examination Voltage Proof (all Points)	In Conditioning Chamber Table 3 Items 1-2-3-4-6 Table 3 Items 1-2-3-4  - Table 2 Item 7	-  - VP	Table 3  Table 3  - -	-  -	Vrms
05	Salt Spray	Para. 9.14	<b>Final Measurements</b> Visual Examination Electrical Measurements  Voltage Proof (all Points)	-  Table 2 Items 1-2-3-4-5-6-8-9 Table 2 Item 7	-  - VP	-  -	-  -	-  Vrms
06	Intermediate Current	Para. 9.16	<b>Measurements during Test</b> Contact Voltage Drop  <b>Final Measurements</b> Insulation Resistance Voltage Proof (all Points) Electrical Measurements  Contact Voltage Drop	ESCC 3602 Para. 9.16.1  Table 2 Item 6 Table 2 Item 7 Table 2 Items 1-2-3-4-5-9 ESCC 3602 Para. 9.16.1	V <sub>d</sub>  R <sub>i</sub> VP  V <sub>d</sub>	Para. 9.16.1  5000 - Table 2 Table 2	mV  MΩ Vrms  mV	
07	Terminal Strength	Para. 9.17 and Para. 4.3.3 of this spec.	Visual Examination	ESCC 3602 Para. 9.17.3	-	-	-	-

**NOTES**

1. The tests in this table refer to either Chart IV or V and shall be used as applicable.



**TABLE 6 - MEASUREMENTS AND INSPECTIONS ON COMPLETION OF ENVIRONMENTAL TESTS AND AT INTERMEDIATE POINTS AND ON COMPLETION OF ENDURANCE TESTING (CONT'D)**

No.	ESCC GENERIC SPEC. NO. 3602		MEASUREMENTS AND INSPECTIONS		SYMBOL	LIMITS		UNIT
	ENVIRONMENTAL AND ENDURANCE TESTS (1)	TEST METHOD AND CONDITIONS	IDENTIFICATION	CONDITIONS		MIN.	MAX.	
08	Resistance to Soldering Heat	Para. 9.18	Electrical Measurements	Table 2 Items 1-2-6-8-9		Table 2		
09	Operating Life Resistive	Para's 9.19, 9.19.1 and Table 5(b) of this spec.	<b>Measurements during Test</b> Contact Voltage Drop  <b>Final Measurements</b> Fuse Continuity Contact Voltage Drop  Insulation Resistance Voltage Proof (all Points) Electrical Measurements	ESCC 3602 Para. 9.19.1  - Table 2 Item 8  Table 2 Item 6 Table 2 Item 7 Table 2 Items 1-2-3-4-5-9	$V_d$  - $V_d$  $R_i$ VP	Para. 9.19.1  Continuity -   20  5000   - Table 2 Table 2	mV  mV (2) $M\Omega$ Vrms	
10	Operating Life Low Level Load and Mechanical Life	Para. 9.19.2	<b>Measurements during Test</b> Contact Voltage Drop  <b>Final Measurements</b> Contact Voltage Drop Insulation Resistance Voltage Proof (all Points) Electrical Measurements	ESCC 3602 Para. 9.19.2  Table 2 Item 8 Table 2 Item 6 Table 2 Item 7 Table 2 Items 1-2-3-4-5-9	$V_d$  $V_d$ $R_i$ VP	Para. 9.19.2  -   10 5000   - Table 2 Table 2	mV  mV $M\Omega$ Vrms	

**NOTES**

1. The tests in this table refer to either Chart IV or V and shall be used as applicable.
2. Or failure to open.