



Pages 1 to 26

**INTEGRATED CIRCUITS, SILICON MONOLITHIC, HCMOS  
OCTAL BUS BUFFER WITH INVERTED 3-STATE OUTPUTS**

**BASED ON TYPE 54HCT240**

**ESCC Detail Specification No. 9401/045**

Issue 2	October 2003
---------	--------------



Document Custodian: European Space Agency - see <https://escies.org>

**LEGAL DISCLAIMER AND COPYRIGHT**

European Space Agency, Copyright © 2003. All rights reserved.

The European Space Agency disclaims any liability or responsibility, to any person or entity, with respect to any loss or damage caused, or alleged to be caused, directly or indirectly by the use and application of this ESCC publication.

This publication, without the prior permission of the European Space Agency and provided that it is not used for a commercial purpose, may be:

- copied in whole, in any medium, without alteration or modification.
- copied in part, in any medium, provided that the ESCC document identification, comprising the ESCC symbol, document number and document issue, is removed.

**DOCUMENTATION CHANGE NOTICE**

(Refer to <https://escies.org> for ESCC DCR content)

DCR No.	CHANGE DESCRIPTION
46	Specification upissued to incorporate editorial and technical changes per DCR.

**TABLE OF CONTENTS**

<b>1.</b>	<b><u>GENERAL</u></b>	<b>5</b>
1.1	Scope	5
1.2	Applicable Documents	5
1.3	Terms, Definitions, Abbreviations, Symbols and Units	5
1.4	The ESCC Component Number and Component Type Variants	5
1.4.1	The ESCC Component Number	5
1.4.2	Component Type Variants	5
1.5	Maximum Ratings	6
1.6	Handling Precautions	6
1.7	Physical Dimensions and Terminal Identification	6
1.7.1	Flat Package (FP) - 20 Pin	7
1.7.2	Dual-in-line Package (DIP) - 20 Pin	8
1.7.3	Chip Carrier Package (CCP) - 20 Terminal	9
1.7.4	Small Outline Ceramic Package (SO) - 20 Pin	11
1.7.5	Consolidated Notes	12
1.8	Functional Diagram	12
1.9	Pin Assignment	13
1.10	Truth Table	13
1.11	Protection Networks	13
<b>2.</b>	<b><u>REQUIREMENTS</u></b>	<b>14</b>
2.1	General	14
2.1.1	Deviations from the Generic Specification	14
2.2	Marking	14
2.3	Electrical Measurements at Room High and Low Temperatures	14
2.3.1	Room Temperature Electrical Measurements	14
2.3.2	High and Low Temperatures Electrical Measurements	18
2.3.3	Notes to Electrical Measurement Tables	19
2.4	Parameter Drift Values	21
2.5	Intermediate and End-Point Electrical Measurements	22
2.6	High Temperature Reverse Bias Burn-In Conditions	23
2.6.1	N-Channel HTRB	23
2.6.2	P-Channel HTRB	24
2.7	Power Burn-In Conditions	24
2.8	Operating Life Conditions	24
2.9	Total Dose Radiation Testing	24
2.9.1	Bias Conditions and Total Dose Level for Total Dose Radiation Testing	24
2.9.2	Electrical Measurements for Total Dose Radiation Testing	25
APPENDIX 'A'		26

**1. GENERAL**

**1.1 SCOPE**

This specification details the ratings, physical and electrical characteristics and test and inspection data for the component type variants and/or the range of components specified below. It supplements the requirements of, and shall be read in conjunction with, the ESCC Generic Specification listed under Applicable Documents.

**1.2 APPLICABLE DOCUMENTS**

The following documents form part of this specification and shall be read in conjunction with it:

- (a) ESCC Generic Specification No. 9000.
- (b) MIL-STD-883, Test Methods and Procedures for Microelectronics.

**1.3 TERMS, DEFINITIONS, ABBREVIATIONS, SYMBOLS AND UNITS**

For the purpose of this specification, the terms, definitions, abbreviations, symbols and units specified in ESCC Basic Specification No. 21300 shall apply.

**1.4 THE ESCC COMPONENT NUMBER AND COMPONENT TYPE VARIANTS**

**1.4.1 The ESCC Component Number**

The ESCC Component number shall be constituted as follows:

Example: 940104501F

- Detail Specification Reference: 9401045
- Component Type Variant Number: 01 (as required)
- Total Dose Radiation Level Letter: F (as required)

**1.4.2 Component Type Variants**

The component type variants applicable to this specification are as follows:

Variant Number	Based on Type	Case	Terminal Material and /or Finish	Weight max g	Total Dose Radiation Level Letter
01	54HCT240	FP	G2 or G8	0.9	F [50kRAD(Si)]
02	54HCT240	FP	G4	0.9	F [50kRAD(Si)]
03	54HCT240	DIP	G2 or G8	3.2	F [50kRAD(Si)]
04	54HCT240	DIP	G4	3.2	F [50kRAD(Si)]
05	54HCT240	CCP	2	0.6	F [50kRAD(Si)]
10	54HCT240	SO	G2	0.9	F [50kRAD(Si)]
11	54HCT240	SO	G4	0.9	F [50kRAD(Si)]

The terminal material and/or finish shall be in accordance with the requirements of ESCC Basic Specification No. 23500.

The total dose radiation level letter shall be as defined in ESCC Basic Specification No. 22900. If an alternative radiation test level is specified in the purchase order the letter shall be changed accordingly.

1.5 **MAXIMUM RATINGS**

The maximum ratings shall not be exceeded at any time during use or storage.

Maximum ratings shall only be exceeded during testing to the extent specified in this specification and when stipulated in Test Methods and Procedures of the applicable ESCC Generic Specification.

Characteristics	Symbols	Maximum Ratings	Units	Remarks
Supply Voltage	$V_{DD}$	-0.5 to 7	V	Note 1
Input Voltage	$V_{IN}$	-0.5 to $V_{DD} + 0.5$	V	Notes 1, 2
Output Voltage	$V_{OUT}$	-0.5 to $V_{DD} + 0.5$	V	Notes 1, 3
Device Power Dissipation (Continuous)	$P_D$	385	mW	Note 4
Supply Current	$I_{DDop}$	70	mA	
Operating Temperature Range	$T_{op}$	-55 to +125	°C	$T_{amb}$
Storage Temperature Range	$T_{stg}$	-65 to +150	°C	
Soldering Temperature For FP, DIP and SO For CCP	$T_{sol}$	+265 +245	°C	Note 5 Note 6

**NOTES:**

1. Device is functional for  $4.5V \leq V_{DD} \leq 5.5V$ .
2. Input current limited to  $I_{IC} = \pm 20mA$ .
3. Output current limited to  $I_{OUT} = \pm 35mA$ .
4. The maximum device dissipation is determined by  $I_{DDop} \max (70mA) \times 5.5V$ .
5. Duration 10 seconds maximum at a distance of not less than 1.5mm from the device body and the same terminal shall not be resoldered until 3 minutes have elapsed.
6. Duration 5 seconds maximum and the same terminal shall not be resoldered until 3 minutes have elapsed.

1.6 **HANDLING PRECAUTIONS**

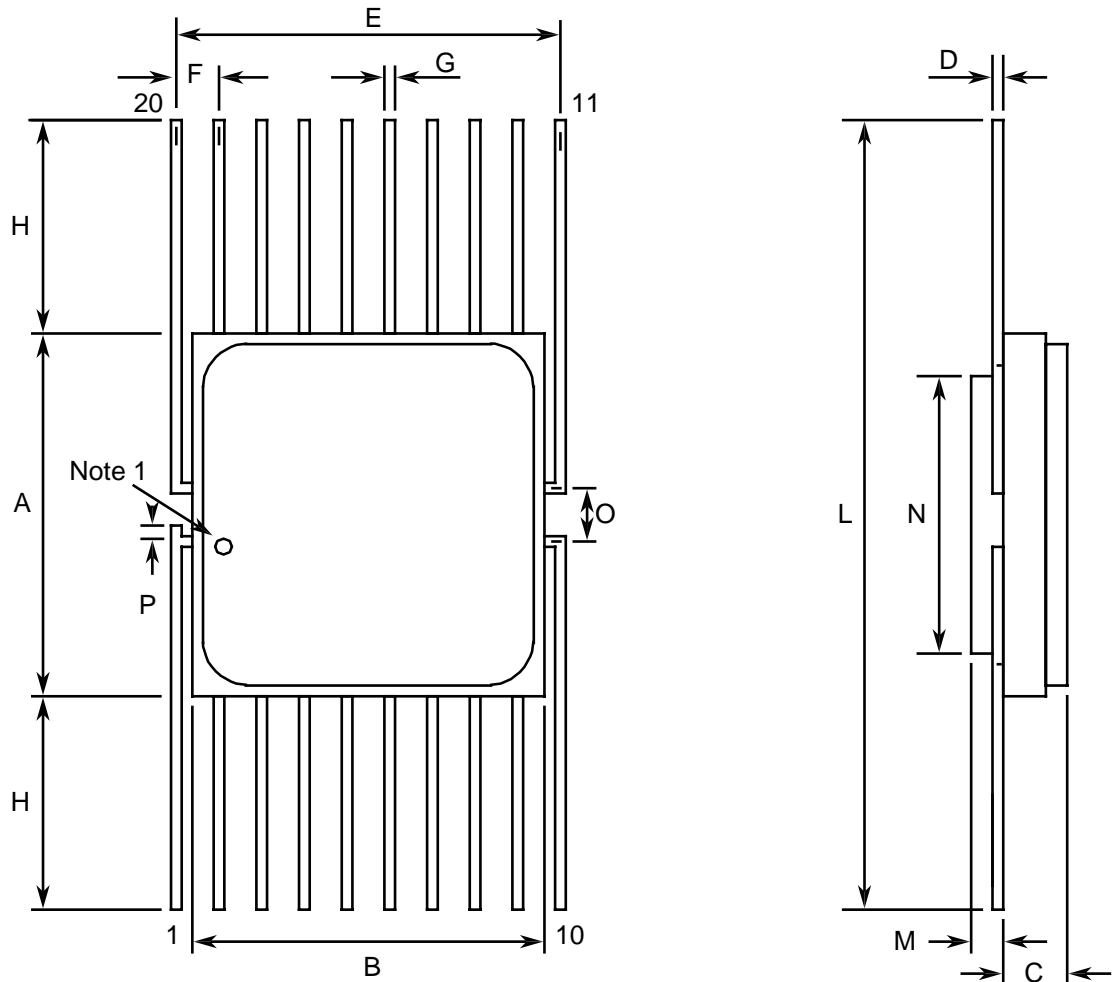
These devices are susceptible to damage by electrostatic discharge. Therefore, suitable precautions shall be employed for protection during all phases of manufacture, testing, packaging, shipment and any handling.

These components are categorised as Class 2 per ESCC Basic Specification No. 23800 with a Minimum Critical Path Failure Voltage of 2500 Volts.

1.7 **PHYSICAL DIMENSIONS AND TERMINAL IDENTIFICATION**

Consolidated Notes are given following the case drawings and dimensions.

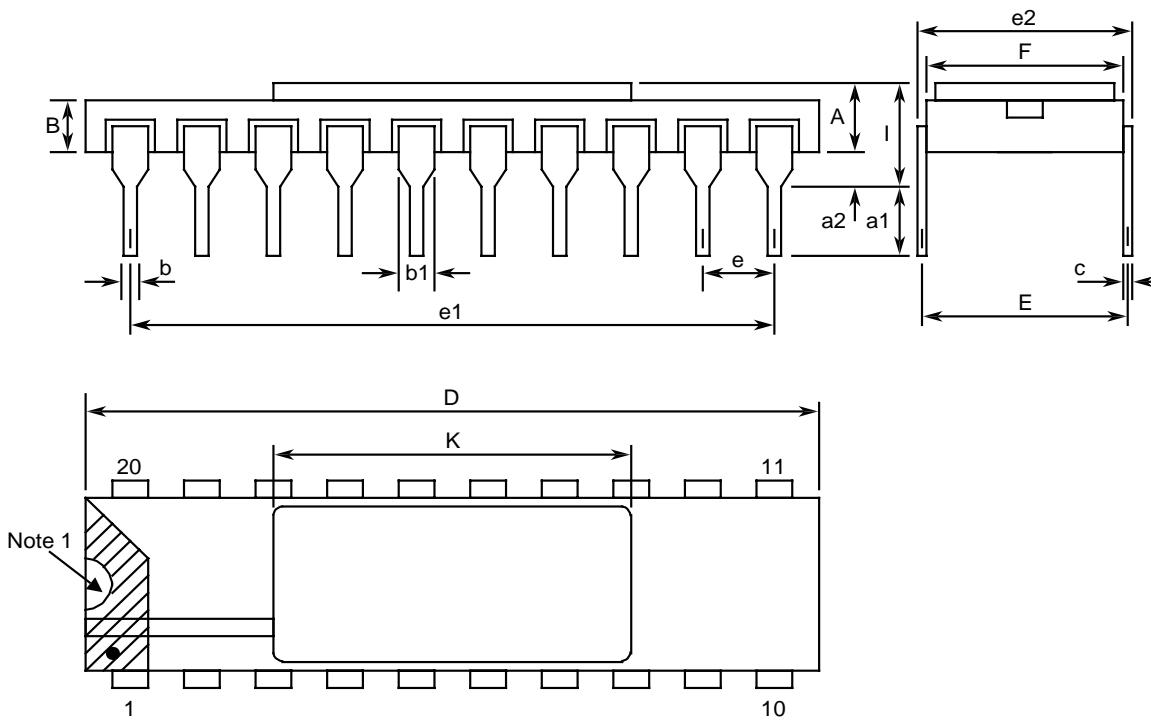
1.7.1 Flat Package (FP) - 20 Pin



Symbols	Dimensions mm		Notes
	Min	Max	
A	9.98	10.34	
B	9.98	10.34	
C	1.45	1.78	
D	0.1	0.18	5
E	11.3	11.56	
F	1.27 TYPICAL		3, 6
G	0.38	0.48	5
H	7.24	8.16	5
L	24.46	26.67	
M	0.45	0.55	

Symbols	Dimensions mm		Notes
	Min	Max	
N	7.87 TYPICAL		
O	1.27 TYPICAL		
P	0.1	0.25	

1.7.2 Dual-in-line Package (DIP) - 20 Pin

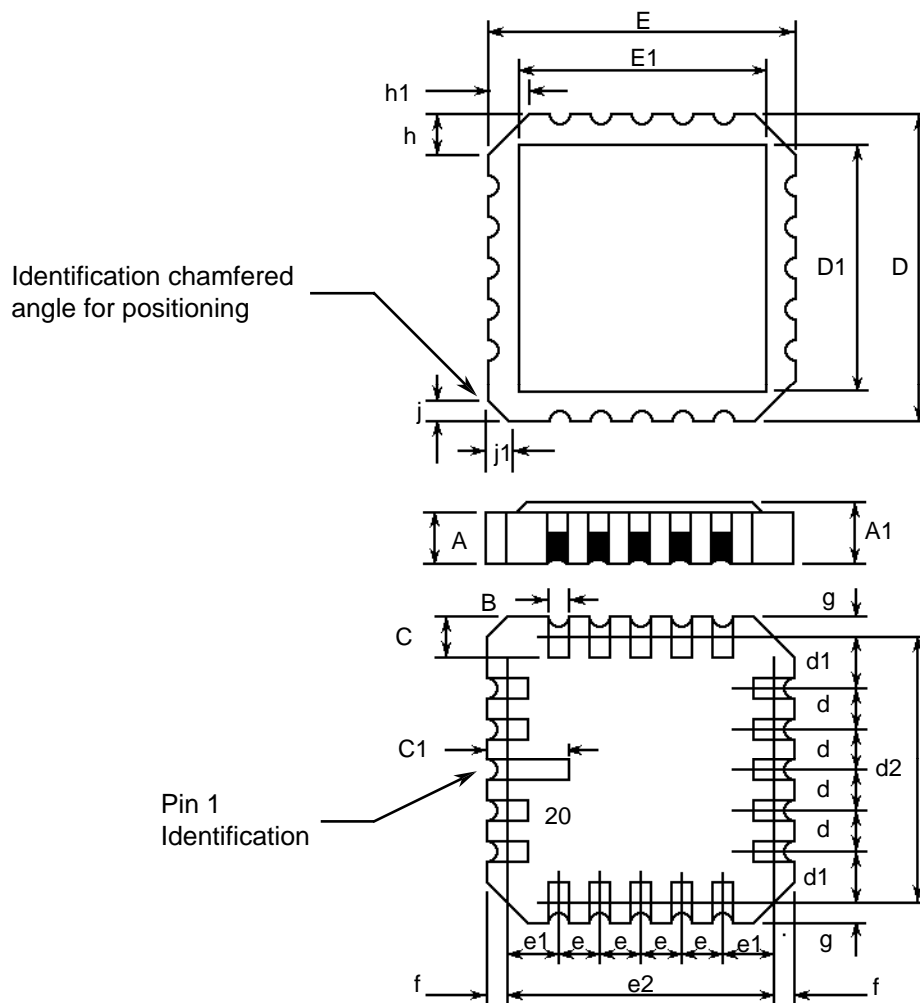


Symbols	Dimensions mm		Notes
	Min	Max	
A	2.1	2.72	
a1	3	3.7	
a2	0.63	1.14	2
B	1.93	2.39	
b	0.4	0.5	5
b1	1.27 TYPICAL		5
c	0.2	0.3	5
D	25.14	25.65	
E	7.36	7.87	
e	2.54 TYPICAL		4, 6
e1	22.73	22.99	



Symbols	Dimensions mm		Notes
	Min	Max	
e2	7.62	8.12	
F	7.11	7.62	
I	-	3.86	
K	11.3	11.56	

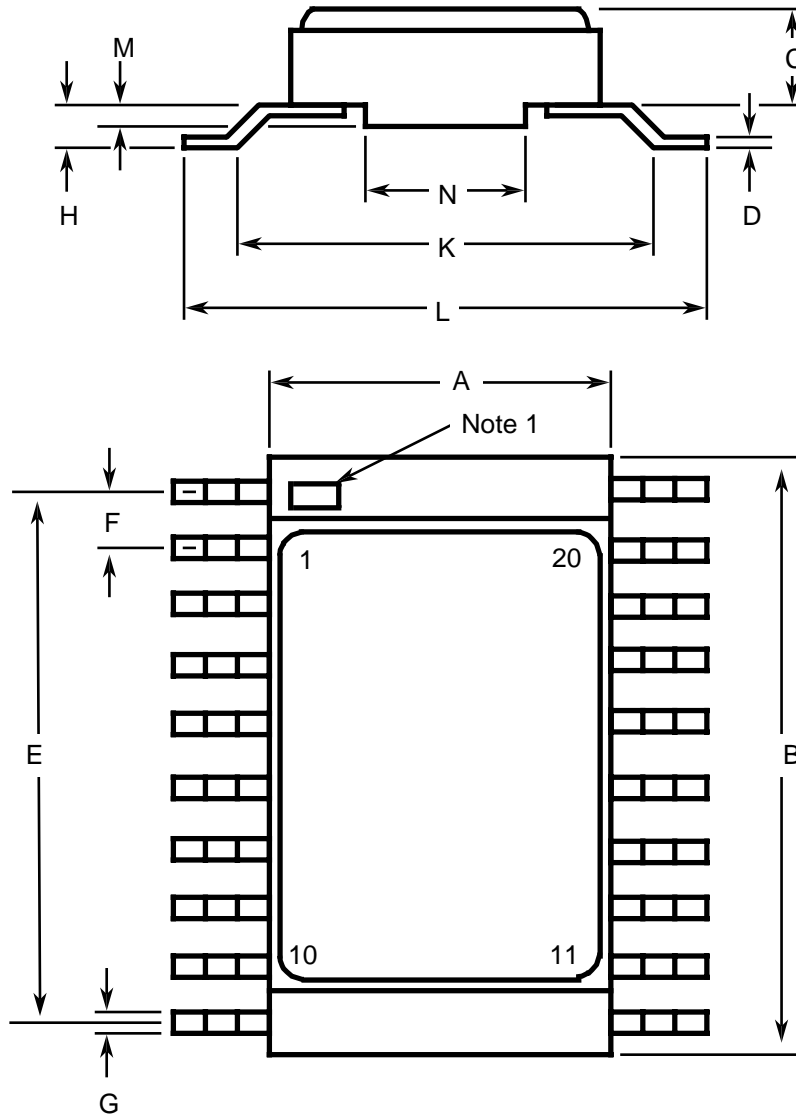
1.7.3 Chip Carrier Package (CCP) - 20 Terminal



Symbols	Dimensions mm		Notes
	Min	Max	
A	1.14	1.95	
A1	1.63	2.36	
B	0.55	0.72	5

Symbols	Dimensions mm		Notes
	Min	Max	
C	1.06	1.47	5
C1	1.91	2.41	
D	8.67	9.09	
D1	7.21	7.52	
d, d1	1.27 TYPICAL		3, 6
d2	7.62 TYPICAL		
E	8.67	9.09	
E1	7.21	7.52	
e, e1	1.27 TYPICAL		3, 6
e2	7.62 TYPICAL		
f, g	-	0.76	
h, h1	1.01 TYPICAL		8
j, j1	0.51 TYPICAL		7

1.7.4 Small Outline Ceramic Package (SO) - 20 Pin



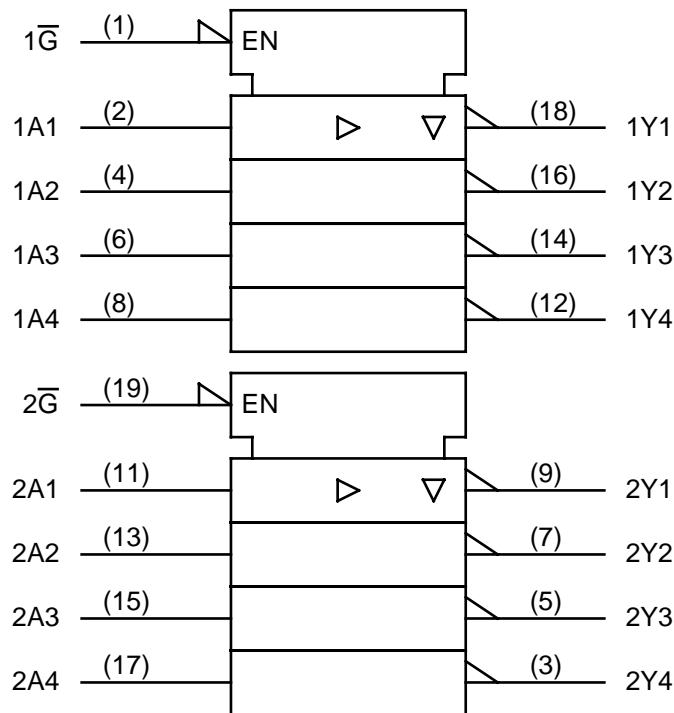
Symbols	Dimensions mm		Notes
	Min	Max	
A	6.99	7.24	
B	12.83	13.08	
C	1.47	1.85	
D	0.076	0.152	5
E	11.3	11.56	
F	1.27 TYPICAL		3, 6
G	0.38	0.48	5

Symbols	Dimensions mm		Notes
	Min	Max	
H	0.6	0.9	5
K	9 TYPICAL		
L	10	10.65	
M	0.33	0.43	
N	4.31 TYPICAL		

1.7.5 Consolidated Notes

1. Index area; a notch or a dot shall be located adjacent to Pin 1 and shall be within the shaded area shown. For chip carrier packages, the index shall be as shown.
2. The dimension shall be measured from the seating plane to the base plane.
3. The true position pin spacing is 1.27mm between centrelines. Each pin centreline shall be located within  $\pm 0.13\text{mm}$  of its true longitudinal position relative to Pin 1 and the highest pin number.
4. The true position pin spacing is 2.54mm between centrelines. Each pin centreline shall be located within  $\pm 0.25\text{mm}$  of its true longitudinal position relative to Pin 1 and the highest pin number.
5. All terminals.
6. 18 spaces for flat, dual-in-line and small outline packages.  
16 spaces for chip carrier packages.
7. Index corner only - 2 dimensions.
8. 3 non-index corners - 6 dimensions.

1.8 FUNCTIONAL DIAGRAM



1.9 PIN ASSIGNMENT

Pin	Function	Pin	Function
1	1 $\bar{G}$ Input (Enable)	11	2A1 Input
2	1A1 Input	12	1Y4 Output
3	2Y4 Output	13	2A2 Input
4	1A2 Input	14	1Y3 Output
5	2Y3 Output	15	2A3 Input
6	1A3 Input	16	1Y2 Output
7	2Y2 Output	17	2A4 Input
8	1A4 Input	18	1Y1 Output
9	2Y1 Output	19	2 $\bar{G}$ Input (Enable)
10	V <sub>SS</sub>	20	V <sub>DD</sub>

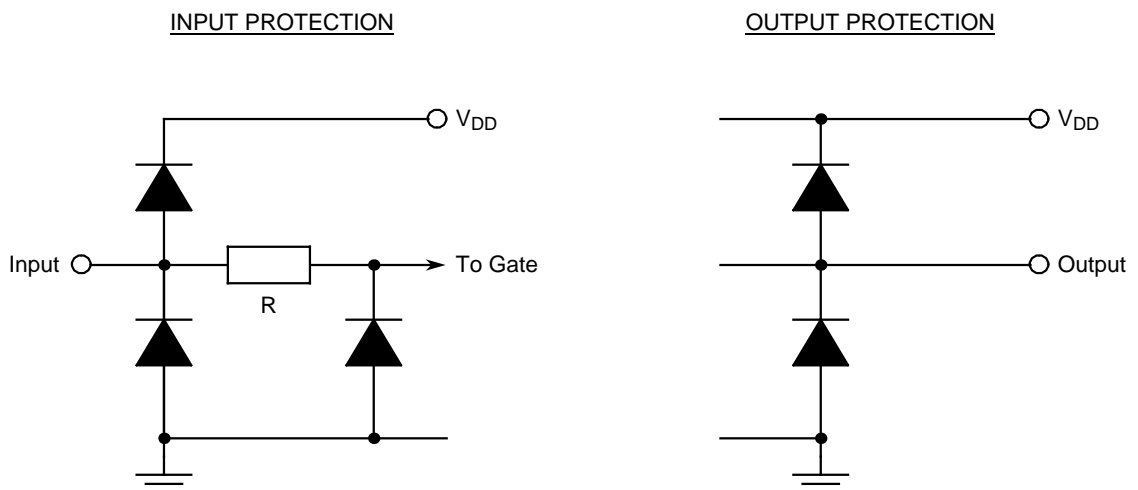
1.10 TRUTH TABLE

1. Logic Level Definitions: L = Low Level, H = High Level, X = Irrelevant, Z = High Impedance.

EACH BUFFER

INPUTS		OUTPUT
$\bar{G}$	A	Y
L	H	L
L	L	H
H	X	Z

1.11 PROTECTION NETWORKS



**2. REQUIREMENTS**

**2.1 GENERAL**

The complete requirements for procurement of the components specified herein are as stated in this specification and the applicable ESCC Generic Specification. Permitted deviations from the applicable Generic Specification, applicable to this specification only, are listed below.

Permitted deviations from the applicable Generic Specification and this Detail Specification, formally agreed with specific Manufacturers on the basis that the alternative requirements are equivalent to the ESCC requirement and do not affect the component's reliability, are listed in the appendices attached to this specification.

**2.1.1 Deviations from the Generic Specification**

None.

**2.2 MARKING**

The marking shall be in accordance with the requirements of ESCC Basic Specification No. 21700 and as follows.

The information to be marked on the component shall be:

- (a) Terminal identification.
- (b) The ESCC qualified components symbol (for ESCC qualified components only).
- (c) The ESCC Component Number.
- (d) Traceability information.

**2.3 ELECTRICAL MEASUREMENTS AT ROOM HIGH AND LOW TEMPERATURES**

Electrical measurements shall be performed at room, high and low temperatures. Consolidated Notes are given after the tables.

**2.3.1 Room Temperature Electrical Measurements**

The measurements shall be performed at  $T_{amb}=+22 \pm 3^{\circ}C$ .

Characteristics	Symbols	MIL-STD-883 Test Method	Test Conditions Note 1	Limits		Units
				Min	Max	
Functional Test 1	-	-	Verify Truth Table without Load $V_{IL}=0.8V, V_{IH}=2V$ $V_{DD}=4.5V, V_{SS}=0V$ $t_r=t_f<500ns$ Note 2	-	-	-

Characteristics	Symbols	MIL-STD-883 Test Method	Test Conditions Note 1	Limits		Units
				Min	Max	
Functional Test 2	-	-	Verify Truth Table without Load $V_{IL}=0.8V, V_{IH}=2V$ $V_{DD}=5.5V, V_{SS}=0V$ $t_r=t_f<500ns$ Note 2	-	-	-
Quiescent Current 1	$I_{DD1}$	3005	$V_{IL}=0V, V_{IH}=5.5V$ $V_{DD}=5.5V, V_{SS}=0V$ All Outputs Open Note 3	-	400	nA
Quiescent Current 2	$I_{DD2}$	3005	$V_{IN}(2A1)=2.4V$ or $0.5V$ $V_{IN}(\text{Remaining Inputs})=0V$ $V_{DD}=5.5V, V_{SS}=0V$ All Outputs Open Note 3	-	2.4	mA
Low Level Input Current	$I_{IL}$	3009	$V_{IN}(\text{Under Test})=0V$ $V_{IN}(\text{Remaining Inputs})=5.5V$ $V_{DD}=5.5V, V_{SS}=0V$	-	-50	nA
High Level Input Current	$I_{IH}$	3010	$V_{IN}(\text{Under Test})=5.5V$ $V_{IN}(\text{Remaining Inputs})=0V$ $V_{DD}=5.5V, V_{SS}=0V$	-	50	nA
Low Level Output Voltage 1	$V_{OL1}$	3007	Buffer Under Test : $V_{IN}(A)=2V$ $V_{IN}(G)=0.8V$ $I_{OL}=20\mu A$ All Other Inputs: $V_{IN}=0V$ $V_{DD}=4.5V, V_{SS}=0V$	-	100	mV
Low Level Output Voltage 2	$V_{OL2}$	3007	Buffer Under Test : $V_{IN}(A)=2V$ $V_{IN}(G)=0.8V$ $I_{OL}=6mA$ All Other Inputs: $V_{IN}=0V$ $V_{DD}=4.5V, V_{SS}=0V$	-	260	mV
High Level Output Voltage 1	$V_{OH1}$	3006	Buffer Under Test : $V_{IN}(A)=0.8V$ $V_{IN}(G)=0.8V$ $I_{OH}=-20\mu A$ All Other Inputs: $V_{IN}=0V$ $V_{DD}=4.5V, V_{SS}=0V$	4.4	-	V

Characteristics	Symbols	MIL-STD-883 Test Method	Test Conditions Note 1	Limits		Units
				Min	Max	
High Level Output Voltage 2	$V_{OH2}$	3006	Buffer Under Test : $V_{IN(A)}=0.8V$ $V_{IN(G)}=0.8V$ $I_{OH}=-6mA$ All Other Inputs: $V_{IN}=0V$ $V_{DD}=4.5V, V_{SS}=0V$	3.98	-	V
Threshold Voltage N-Channel	$V_{THN}$	-	$1\bar{G}$ Input at Ground All Other Inputs: $V_{IN}=5V$ $V_{DD}=5V, I_{SS}=-10\mu A$	-0.25	-1.45	V
Threshold Voltage P-Channel	$V_{THP}$	-	$1\bar{G}$ Input at Ground All Other Inputs: $V_{IN}=-5V$ $V_{SS}=-5V, I_{DD}=10\mu A$	0.45	1.85	V
Input Clamp Voltage (to $V_{SS}$ )	$V_{IC1}$	-	$I_{IN}$ (Under Test)=- -0.1mA $V_{DD}=\text{Open}, V_{SS}=0V$ All Other Pins Open	-400	-900	mV
Input Clamp Voltage (to $V_{DD}$ )	$V_{IC2}$	-	$I_{IN}$ (Under Test)=0.1mA $V_{DD}=0V, V_{SS}=\text{Open}$ All Other Pins Open	400	900	mV
Output Leakage Current Third State, Low Level Applied	$I_{OZL}$	3020	$V_{IN}(1\bar{G})=V_{IN}(2\bar{G})=5.5V$ $V_{IN}$ (Remaining inputs)=0V $V_{OUT}=0V$ $V_{DD}=5.5V, V_{SS}=0V$	-	-500	nA
Output Leakage Current Third State, High Level Applied	$I_{OZH}$	3021	$V_{IN}(1\bar{G})=V_{IN}(2\bar{G})=5.5V$ $V_{IN}$ =(Remaining inputs)=0V $V_{OUT}=5.5V$ $V_{DD}=5.5V, V_{SS}=0V$	-	500	nA
Input Capacitance	$C_{IN}$	3012	$V_{IN}$ (Not Under Test)=0V $V_{DD}=V_{SS}=0V$ $f = 100 \text{ kHz to } 1 \text{ MHz}$ Note 4	-	10	pF
Propagation Delay Low to High, 1A1 to 1Y1	$t_{PLH}$	3003	$V_{IN}(1A1)=\text{Pulse Generator}$ $V_{IN}(1\bar{G})=0.8V$ $V_{IN}$ (Remaining Inputs)=0V $V_{DD}=4.5V, V_{SS}=0V$ Note 5	-	35	ns



Characteristics	Symbols	MIL-STD-883 Test Method	Test Conditions Note 1	Limits		Units
				Min	Max	
Propagation Delay High to Low , 1A1 to 1Y1	t <sub>PHL</sub>	3003	V <sub>IN</sub> (1A1)=Pulse Generator V <sub>IN</sub> (1 $\bar{G}$ )=0.8V V <sub>IN</sub> (Remaining Inputs)=0V V <sub>DD</sub> =4.5V, V <sub>SS</sub> =0V Note 5	-	35	ns
Transition Time Low to High, 1Y1	t <sub>TLH</sub>	3004	V <sub>IN</sub> (1A1)=Pulse Generator V <sub>IN</sub> (1 $\bar{G}$ )=0.8V V <sub>IN</sub> (Remaining Inputs)=0V V <sub>DD</sub> =4.5V, V <sub>SS</sub> =0V Note 5	-	12	ns
Transition Time High to Low, 1Y1	t <sub>THL</sub>	3004	V <sub>IN</sub> (1A1)=Pulse Generator V <sub>IN</sub> (1 $\bar{G}$ )=0.8V V <sub>IN</sub> (Remaining Inputs)=0V V <sub>DD</sub> =4.5V, V <sub>SS</sub> =0V Note 5	-	12	ns
Output Enable Time High Impedance to Low Output, 2 $\bar{G}$ to 2Y1	t <sub>PZL</sub>	3003	V <sub>IN</sub> (2 $\bar{G}$ )=Pulse Generator V <sub>IN</sub> (2A1)=2V V <sub>IN</sub> (Remaining Inputs)=0V V <sub>DD</sub> =4.5V, V <sub>SS</sub> =0V Note 5	-	35	ns
Output Enable Time High Impedance to High Output, 2 $\bar{G}$ to 2Y1	t <sub>PZH</sub>	3003	V <sub>IN</sub> (2 $\bar{G}$ )=Pulse Generator V <sub>IN</sub> (2A1)=0.8V V <sub>IN</sub> (Remaining Inputs)=0V V <sub>DD</sub> =4.5V, V <sub>SS</sub> =0V Note 5	-	35	ns
Output Disable Time Low Output to High Impedance, 2 $\bar{G}$ to 2Y1	t <sub>PLZ</sub>	3003	V <sub>IN</sub> (2 $\bar{G}$ )=Pulse Generator V <sub>IN</sub> (2A1)=2V V <sub>IN</sub> (Remaining Inputs)=0V V <sub>DD</sub> =4.5V, V <sub>SS</sub> =0V Note 5	-	47	ns
Output Disable Time High Output to High Impedance, 2 $\bar{G}$ to 2Y1	t <sub>PHZ</sub>	3003	V <sub>IN</sub> (2 $\bar{G}$ )=Pulse Generator V <sub>IN</sub> (2A1)=0.8V V <sub>IN</sub> (Remaining Inputs)=0V V <sub>DD</sub> =4.5V, V <sub>SS</sub> =0V Note 5	-	47	ns

2.3.2 High and Low Temperatures Electrical Measurements

The measurements shall be performed at  $T_{amb}=+125 (+0 -5) ^\circ\text{C}$  and  $T_{amb}=- 55(+5-0)^\circ\text{C}$ .

Characteristics	Symbols	MIL-STD-883 Test Method	Test Conditions Note 1	Limits		Units
				Min	Max	
Functional Test 1	-	-	Verify Truth Table without Load $V_{IL}=0.8\text{V}, V_{IH}=2\text{V}$ $V_{DD}=4.5\text{V}, V_{SS}=0\text{V}$ $t_r=t_f<500\text{ns}$ Note 2	-	-	-
Functional Test 2	-	-	Verify Truth Table without Load $V_{IL}=0.8\text{V}, V_{IH}=2\text{V}$ $V_{DD}=5.5\text{V}, V_{SS}=0\text{V}$ $t_r=t_f<500\text{ns}$ Note 2	-	-	-
Quiescent Current 1	$I_{DD1}$	3005	$V_{IL}=0\text{V}, V_{IH}=5.5\text{V}$ $V_{DD}=5.5\text{V}, V_{SS}=0\text{V}$ All Outputs Open Note 3	-	8	$\mu\text{A}$
Quiescent Current 2	$I_{DD2}$	3005	$V_{IN}(2A1)=2.4\text{V}$ or $0.5\text{V}$ $V_{IN}(\text{Remaining Inputs})=0\text{V}$ $V_{DD}=5.5\text{V}, V_{SS}=0\text{V}$ All Outputs Open Note 3	-	3	$\text{mA}$
Low Level Input Current	$I_{IL}$	3009	$V_{IN}(\text{Under Test})=0\text{V}$ $V_{IN}(\text{Remaining Inputs})=5.5\text{V}$ $V_{DD}=5.5\text{V}, V_{SS}=0\text{V}$	-	-1	$\mu\text{A}$
High Level Input Current	$I_{IH}$	3010	$V_{IN}(\text{Under Test})=5.5\text{V}$ $V_{IN}(\text{Remaining Inputs})=0\text{V}$ $V_{DD}=5.5\text{V}, V_{SS}=0\text{V}$	-	1	$\mu\text{A}$
Low Level Output Voltage 1	$V_{OL1}$	3007	Buffer Under Test : $V_{IN}(A)=2\text{V}$ $V_{IN}(G)=0.8\text{V}$ $I_{OL}=20\mu\text{A}$ All Other Inputs: $V_{IN}=0\text{V}$ $V_{DD}=4.5\text{V}, V_{SS}=0\text{V}$	-	100	$\text{mV}$
Low Level Output Voltage 2	$V_{OL2}$	3007	Buffer Under Test : $V_{IN}(A)=2\text{V}$ $V_{IN}(G)=0.8\text{V}$ $I_{OL}=6\text{mA}$ All Other Inputs: $V_{IN}=0\text{V}$ $V_{DD}=4.5\text{V}, V_{SS}=0\text{V}$	-	400	$\text{mV}$

Characteristics	Symbols	MIL-STD-883 Test Method	Test Conditions Note 1	Limits		Units
				Min	Max	
High Level Output Voltage 1	$V_{OH1}$	3006	Buffer Under Test : $V_{IN(A)}=0.8V$ $V_{IN(G)}=0.8V$ $I_{OH}=-20\mu A$ All Other Inputs: $V_{IN}=0V$ $V_{DD}=4.5V, V_{SS}=0V$	4.4	-	V
High Level Output Voltage 2	$V_{OH2}$	3006	Buffer Under Test : $V_{IN(A)}=0.8V$ $V_{IN(G)}=0.8V$ $I_{OH}=-6mA$ All Other Inputs: $V_{IN}=0V$ $V_{DD}=4.5V, V_{SS}=0V$	3.7	-	V
Input Clamp Voltage (to $V_{SS}$ )	$V_{IC1}$	-	$I_{IN}$ (Under Test)= -0.1mA $V_{DD}=\text{Open}, V_{SS}=0V$ All Other Pins Open	-0.1	-1.2	V
Input Clamp Voltage (to $V_{DD}$ )	$V_{IC2}$	-	$I_{IN}$ (Under Test)= 0.1mA $V_{DD}=0V, V_{SS}=\text{Open}$ All Other Pins Open	0.1	1.2	V
Output Leakage Current Third State, Low Level Applied	$I_{OZL}$	3020	$V_{IN}(1\bar{G})=V_{IN}(2\bar{G})=5.5V$ $V_{IN}(\text{Remaining Inputs})=0V$ $V_{OUT}=0V$ $V_{DD}=5.5V, V_{SS}=0V$	-	-10	$\mu A$
Output Leakage Current Third State, High Level Applied	$I_{OZH}$	3021	$V_{IN}(1\bar{G})=V_{IN}(2\bar{G})=5.5V$ $V_{IN}(\text{Remaining Inputs})=0V$ $V_{OUT}=5.5V$ $V_{DD}=5.5V, V_{SS}=0V$	-	10	$\mu A$

2.3.3

Notes to Electrical Measurement Tables

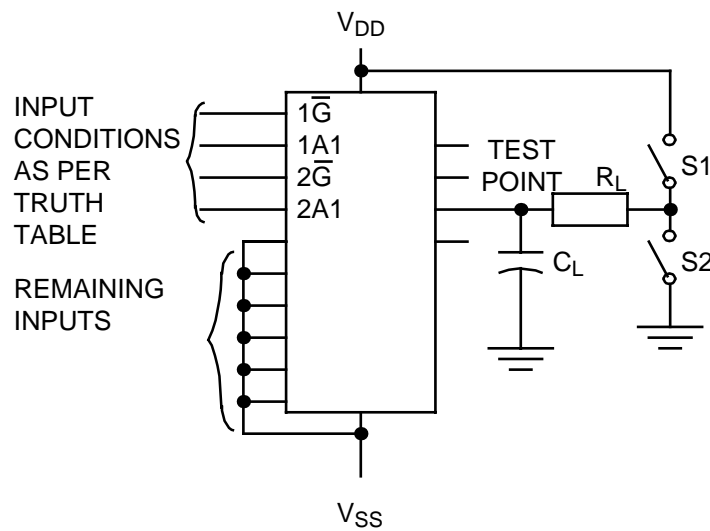
1. Unless otherwise specified all inputs and outputs on all buffers shall be tested for each characteristic.
2. Functional tests shall be performed with  $f = 10 \text{ kHz}$  (min). The Maximum time to output comparator strobe=30 $\mu s$ .
3. Quiescent Current 1 shall be tested using the following input conditions:
  - (a) All inputs =  $V_{IL}$
  - (b) All  $\bar{G}$  inputs =  $V_{IL}$  ; All A inputs =  $V_{IH}$
  - (c)  $1\bar{G} = 1A1 = 1A2 = 1A3 = V_{IH}$  ;  $2A1 = 2A2 = 2A3 = 2A4 = 2\bar{G} = V_{IL}$
  - (d)  $1\bar{G} = 1A1 = 1A2 = 1A3 = V_{IL}$  ;  $2A1 = 2A2 = 2A3 = 2A4 = 2\bar{G} = V_{IH}$
 Quiescent Current 2 shall be tested using the following input conditions:
  - (a)  $2A1 = 2.4V$ ; All other inputs =  $V_{IL}$
  - (b)  $2A1 = 0.5V$ ; All other inputs =  $V_{IL}$
4. Guaranteed but not tested.
5. Measurements shall be performed as a go-no-go test on a 100% basis. Read and record measurements shall be performed on a sample of 5 components.

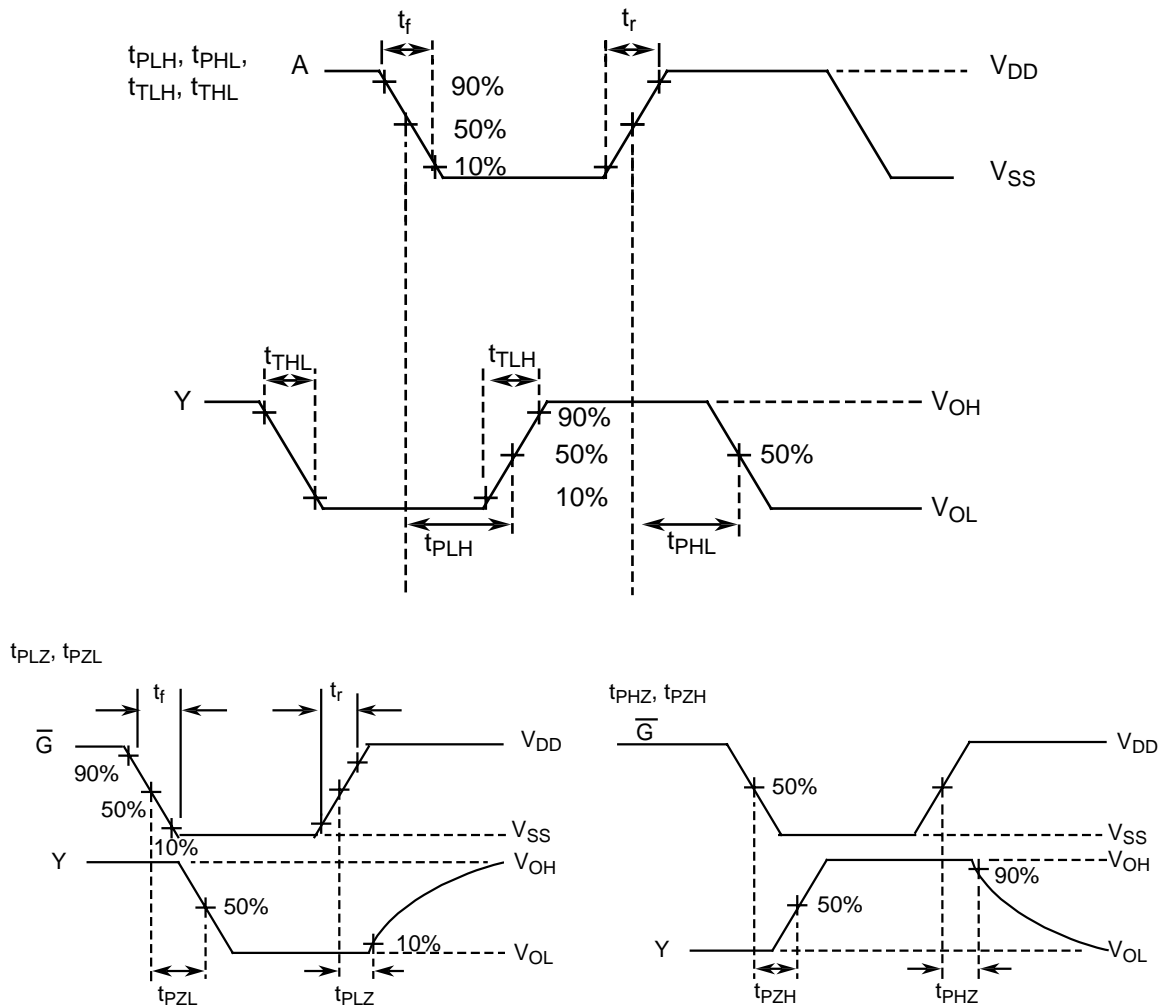
The pulse generator shall have the following characteristics:

$V_{GEN} = 0$  to  $V_{DD}$ ;  $f = 1$  MHz minimum;  $t_r$  and  $t_f \leq 6$  ns (10% to 90%); duty cycle = 50%;  $Z_{out} = 50\Omega$   
 Output load capacitance  $C_L = 50\text{pF} \pm 5\%$  including scope probe, wiring and stray capacitance without component in the test fixture and output load resistance  $R_L = 1\text{k}\Omega \pm 5\%$ .

Propagation delay and transition times shall be measured as follows:

PARAMETER	$R_L$	$C_L$	S1	S2
$t_{PZH}$	1k $\Omega$	50pF	OPEN	CLOSED
$t_{PZL}$			CLOSED	OPEN
$t_{PHZ}$	1k $\Omega$	50pF	OPEN	CLOSED
$t_{PLZ}$			CLOSED	OPEN
$t_{PHL}, t_{PLH}, t_{THL}, t_{TLH}$	-	50pF	OPEN	OPEN





2.4

PARAMETER DRIFT VALUES

Unless otherwise specified, the measurements shall be performed at  $T_{amb} = +22 \pm 3^\circ C$ .

The test methods and test conditions shall be as per the corresponding test defined in Electrical Measurements at Room Temperature.

The drift values ( $\Delta$ ) shall not be exceeded for each characteristic specified. The corresponding absolute limit values for each characteristic shall not be exceeded.

Characteristics	Symbols	Limits			Units
		Drift Value $\Delta$	Absolute		
			Min	Max	
Quiescent Current 1	$I_{DD1}$	$\pm 120$	-	400	nA
Quiescent Current 2	$I_{DD2}$	$\pm 0.6$	-	2.4	mA
Low Level Input Current	$I_{IL}$	$\pm 20$	-	-50	nA
High Level Input Current	$I_{IH}$	$\pm 20$	-	50	nA
Low Level Output Voltage 2	$V_{OL2}$	$\pm 26$	-	260	mV
High Level Output Voltage 2	$V_{OH2}$	$\pm 0.2$	3.98	-	V
Threshold Voltage N-Channel	$V_{THN}$	$\pm 0.3$	-0.25	-1.45	V
Threshold Voltage P-Channel	$V_{THP}$	$\pm 0.3$	0.45	1.85	V

**NOTES:**

Unless otherwise specified all inputs and outputs on all buffers shall be tested for each characteristic.

2.5

**INTERMEDIATE AND END-POINT ELECTRICAL MEASUREMENTS**

Unless otherwise specified, the measurements shall be performed at  $T_{amb} = +22 \pm 3^{\circ}C$ .

The test methods and test conditions shall be as per the corresponding test defined in Electrical Measurements at Room Temperature.

The drift values ( $\Delta$ ) shall not be exceeded for each characteristic where specified. The corresponding absolute limit values for each characteristic shall not be exceeded.

Characteristics	Symbols	Limits			Units
		Drift Value $\Delta$	Absolute		
			Min	Max	
Functional Test 1	-	-	-	-	-
Functional Test 2	-	-	-	-	-
Quiescent Current 1	$I_{DD1}$	$\pm 120$	-	400	nA
Quiescent Current 2	$I_{DD2}$	$\pm 0.6$	-	2.4	mA
Low Level Input Current	$I_{IL}$	$\pm 20$	-	-50	nA
High Level Input Current	$I_{IH}$	$\pm 20$	-	50	nA
Low Level Output Voltage 2	$V_{OL2}$	$\pm 26$	-	260	mV
High Level Output Voltage 2	$V_{OH2}$	$\pm 0.2$	3.98	-	V
Threshold Voltage N-Channel	$V_{THN}$	$\pm 0.3$	-0.25	-1.45	V
Threshold Voltage P-Channel	$V_{THP}$	$\pm 0.3$	0.45	1.85	V
Output Leakage Current Third State, Low Level Applied	$I_{OZL}$	$\pm 200$	-	-500	nA
Output Leakage Current Third State, High Level Applied	$I_{OZH}$	$\pm 200$	-	500	nA

**NOTES:**

1. Unless otherwise specified all inputs and outputs on all buffers shall be tested for each characteristic.
2. The drift values ( $\Delta$ ) are applicable to the Operating Life test only.

**2.6 HIGH TEMPERATURE REVERSE BIAS BURN-IN CONDITIONS**
**2.6.1 N-Channel HTRB**

Characteristics	Symbols	Test Conditions	Units
Ambient Temperature	$T_{amb}$	+125 (+0 -5)	$^{\circ}\text{C}$
Outputs Y (all buffers)	$V_{OUT}$	Open or $V_{SS}$	-
Inputs A, $1\bar{G}$ , $2\bar{G}$ (all buffers)	$V_{IN}$	$V_{SS}$	V
Positive Supply Voltage	$V_{DD}$	6 (+0 -0.5)	V
Negative Supply Voltage	$V_{SS}$	0	V
Duration	t	72	Hours

**NOTES:**

1. Input Protection Resistor = 680 $\Omega$  min to 47k $\Omega$  max.
2. Output Load = 1k $\Omega$  min to 10k $\Omega$  max.

2.6.2 P-Channel HTRB

Characteristics	Symbols	Test Conditions	Units
Ambient Temperature	$T_{amb}$	+125 (+0 -5)	°C
Outputs Y (all buffers)	$V_{OUT}$	Open or $V_{DD}$	-
Inputs A, $1\bar{G}$ , $2\bar{G}$	$V_{IN}$	$V_{DD}$	V
Positive Supply Voltage	$V_{DD}$	6 (+0 -0.5)	V
Negative Supply Voltage	$V_{SS}$	0	V
Duration	t	72	Hours

**NOTES:**

1. Input Protection Resistor = 680Ω min to 47kΩ max.
2. Output Load = 1kΩ min to 10kΩ max.

2.7 POWER BURN-IN CONDITIONS

Characteristics	Symbols	Test Conditions	Units
Ambient Temperature	$T_{amb}$	+125 (+0 -5)	°C
Outputs Y (all buffers)	$V_{OUT}$	$V_{DD}$	V
Inputs $1\bar{G}$ , $2\bar{G}$	$V_{IN}$	$V_{SS}$	V
Inputs A (all buffers)	$V_{IN}$	$V_{GEN}$	V
Pulse Voltage	$V_{GEN}$	0V to $V_{DD}$	V
Pulse Frequency Square Wave	$f_{GEN}$	100k ± 10% 50 ± 15% Duty Cycle $t_r=t_f \leq 400ns$	Hz
Positive Supply Voltage	$V_{DD}$	6 (+0 -0.5)	V
Negative Supply Voltage	$V_{SS}$	0	V

**NOTES:**

1. Input Protection Resistor = 680Ω min to 47kΩ max.
2. Output Load = 1kΩ min to 10kΩ max.

2.8 OPERATING LIFE CONDITIONS

The conditions shall be as specified for power burn-in.

2.9 TOTAL DOSE RADIATION TESTING

2.9.1 Bias Conditions and Total Dose Level for Total Dose Radiation Testing

Continuous bias shall be applied during irradiation testing as specified below.

The total dose level applied shall be as specified in the component type variant information herein or in the purchase order.



Characteristics	Symbols	Test Conditions	Units
Ambient Temperature	$T_{amb}$	$+ 22 \pm 3$	$^{\circ}C$
Outputs Y (all buffers)	$V_{OUT}$	Open	-
Inputs $1\bar{G}$ , $2\bar{G}$	$V_{IN}$	$V_{SS}$	V
Inputs A (all buffers)	$V_{IN}$	$V_{DD}$	V
Positive Supply Voltage	$V_{DD}$	$6 \pm 0.3$	V
Negative Supply Voltage	$V_{SS}$	0	V

**NOTES:**

1. Input Protection Resistor = 680Ω min to 47kΩ max.

2.9.2 Electrical Measurements for Total Dose Radiation Testing

Prior to irradiation testing the devices shall have successfully met Room Temperature Electrical Measurements specified herein.

Unless otherwise stated the measurements shall be performed at  $T_{amb} = +22 \pm 3 \text{ }^{\circ}C$ .

The test methods and test conditions shall be as per the corresponding test defined in Electrical Measurements at Room temperature.

The parameters to be measured during and on completion of irradiation testing are shown below.

Unless otherwise specified all inputs and outputs on all buffers shall be tested for each characteristic.

Characteristics	Symbols	Limits			Units
		Drift Values $\Delta$	Absolute		
			Min	Max	
Quiescent Current 1	$I_{DD1}$	-	-	40	$\mu A$
Threshold Voltage N-Channel	$V_{THN}$	$\pm 0.6$	-0.2	-1.5	V
Threshold Voltage P-Channel	$V_{THP}$	$\pm 0.6$	0.7	2.2	V

**APPENDIX 'A'**

**AGREED DEVIATIONS FOR STMICROELECTRONICS (F)**

ITEMS AFFECTED	DESCRIPTION OF DEVIATIONS
Deviations from Screening Tests - Chart F3	<p>External Visual Inspection: The criteria applicable to chip out are those described in MIL-STD-883, Test Method 2009, Paras 3.3.6(b) and 3.3.7(a).</p> <p>High Temperature Reverse Bias Burn-in: The temperature limits of MIL-STD-883, Para. 4.5.8(c) may be used.</p> <p>Power Burn-in test is performed using STMicroelectronics Specification Ref: 0019255.</p>
Deviations from Qualification and Periodic Tests - Chart F4	<p>External Visual Inspection: The criteria applicable to chip out are those described in MIL-STD-883, Test Method 2009, Paras 3.3.6(b) and 3.3.7(a).</p> <p>Operating Life: The temperature limits of MIL-STD-883, Para. 4.5.8(c) may be used.</p>
Deviations from Electrical Measurements at High and Low Temperatures	<p>Electrical Measurements at High and Low Temperatures may be considered guaranteed but not tested if successful pilot lot testing has been performed on the wafer lot which includes High and Low Temperature Electrical Measurements per the detail specification.</p> <p>A summary of the pilot lot testing shall be provided if required by the purchase order.</p>
Deviations from Room Temperature Electrical Measurements	<p>All AC characteristics (Capacitance and Timings) may be considered guaranteed but not tested if successful pilot lot testing has been performed on the wafer lot which includes AC characteristic measurements per the detail specification.</p> <p>A summary of the pilot lot testing shall be provided if required by the purchase order.</p>