



Pages 1 to 24

**INTEGRATED CIRCUITS, SILICON MONOLITHIC, HCMOS  
DUAL, NEGATIVE-EDGE TRIGGERED J-K FLIP-FLOP, WITH  
PRESET AND CLEAR  
AND FULLY BUFFERED OUTPUTS**

**BASED ON TYPE 54HC73**

**ESCC Detail Specification No. 9203/071**

Issue 2	October 2003
---------	--------------



Document Custodian: European Space Agency - see <https://escies.org>

**LEGAL DISCLAIMER AND COPYRIGHT**

European Space Agency, Copyright © 2003. All rights reserved.

The European Space Agency disclaims any liability or responsibility, to any person or entity, with respect to any loss or damage caused, or alleged to be caused, directly or indirectly by the use and application of this ESCC publication.

This publication, without the prior permission of the European Space Agency and provided that it is not used for a commercial purpose, may be:

- copied in whole, in any medium, without alteration or modification.
- copied in part, in any medium, provided that the ESCC document identification, comprising the ESCC symbol, document number and document issue, is removed.

**DOCUMENTATION CHANGE NOTICE**

(Refer to <https://escies.org> for ESCC DCR content)

DCR No.	CHANGE DESCRIPTION
46	Specification upissued to incorporate editorial and technical changes per DCR.

**TABLE OF CONTENTS**

<b>1.</b>	<b><u>GENERAL</u></b>	<b>5</b>
1.1	Scope	5
1.2	Applicable Documents	5
1.3	Terms, Definitions, Abbreviations, Symbols and Units	5
1.4	The ESCC Component Number and Component Type Variants	5
1.4.1	The ESCC Component Number	5
1.4.2	Component Type Variants	5
1.5	Maximum Ratings	6
1.6	Handling Precautions	6
1.7	Physical Dimensions and Terminal Identification	6
1.7.1	Flat Package (FP) - 14 Pin	7
1.7.2	Dual-in-line Package (DIP) - 14 Pin	8
1.7.3	Chip Carrier Package (CCP) - 20 Terminal	9
1.7.4	Small Outline Ceramic Package (SO) - 14 Pin	10
1.7.5	Consolidated Notes	11
1.8	Functional Diagram	11
1.9	Pin Assignment	12
1.10	Truth Table	12
1.11	Protection Networks	13
<b>2.</b>	<b><u>REQUIREMENTS</u></b>	<b>13</b>
2.1	General	13
2.1.1	Deviations from the Generic Specification	13
2.2	Marking	13
2.3	Electrical Measurements at Room High and Low Temperatures	13
2.3.1	Room Temperature Electrical Measurements	14
2.3.2	High and Low Temperatures Electrical Measurements	16
2.3.3	Notes to Electrical Measurement Tables	18
2.4	Parameter Drift Values	19
2.5	Intermediate and End-Point Electrical Measurements	19
2.6	High Temperature Reverse Bias Burn-In Conditions	20
2.6.1	N-Channel HTRB	20
2.6.2	P-Channel HTRB	21
2.7	Power Burn-In Conditions	21
2.8	Operating Life Conditions	21
2.9	Total Dose Radiation Testing	21
2.9.1	Bias Conditions and Total Dose Level for Total Dose Radiation Testing	21
2.9.2	Electrical Measurements for Total Dose Radiation Testing	22
APPENDIX 'A'		23

**1. GENERAL**

**1.1 SCOPE**

This specification details the ratings, physical and electrical characteristics and test and inspection data for the component type variants and/or the range of components specified below. It supplements the requirements of, and shall be read in conjunction with, the ESCC Generic Specification listed under Applicable Documents.

**1.2 APPLICABLE DOCUMENTS**

The following documents form part of this specification and shall be read in conjunction with it:

- (a) ESCC Generic Specification No. 9000.
- (b) MIL-STD-883, Test Methods and Procedures for Microelectronics.

**1.3 TERMS, DEFINITIONS, ABBREVIATIONS, SYMBOLS AND UNITS**

For the purpose of this specification, the terms, definitions, abbreviations, symbols and units specified in ESCC Basic Specification No. 21300 shall apply.

**1.4 THE ESCC COMPONENT NUMBER AND COMPONENT TYPE VARIANTS**

**1.4.1 The ESCC Component Number**

The ESCC Component number shall be constituted as follows:

Example: 920307101F

- Detail Specification Reference: 9203071
- Component Type Variant Number: 01 (as required)
- Total Dose Radiation Level Letter: F (as required)

**1.4.2 Component Type Variants**

The component type variants applicable to this specification are as follows:

Variant Number	Based on Type	Case	Terminal Material and /or Finish	Weight max g	Total Dose Radiation Level Letter
01	54HC73	FP	G2 or G8	0.7	F [50kRAD(Si)]
02	54HC73	FP	G4	0.7	F [50kRAD(Si)]
03	54HC73	DIP	G2 or G8	2.2	F [50kRAD(Si)]
04	54HC73	DIP	G4	2.2	F [50kRAD(Si)]
05	54HC73	CCP	2	0.6	F [50kRAD(Si)]
10	54HC73	SO	G2	0.7	F [50kRAD(Si)]
11	54HC73	SO	G4	0.7	F [50kRAD(Si)]

The terminal material and/or finish shall be in accordance with the requirements of ESCC Basic Specification No. 23500.

The total dose radiation level letter shall be as defined in ESCC Basic Specification No. 22900. If an alternative radiation test level is specified in the purchase order the letter shall be changed accordingly.

### 1.5 MAXIMUM RATINGS

The maximum ratings shall not be exceeded at any time during use or storage.

Maximum ratings shall only be exceeded during testing to the extent specified in this specification and when stipulated in Test Methods and Procedures of the applicable ESCC Generic Specification.

Characteristics	Symbols	Maximum Ratings	Units	Remarks
Supply Voltage	$V_{DD}$	-0.5 to 7	V	Note 1
Input Voltage	$V_{IN}$	-0.5 to $V_{DD} + 0.5$	V	Notes 1, 2
Output Voltage	$V_{OUT}$	-0.5 to $V_{DD} + 0.5$	V	Notes 1, 3
Device Power Dissipation (Continuous)	$P_D$	300	mW	Note 4
Supply Current	$I_{DDop}$	50	mA	
Operating Temperature Range	$T_{op}$	-55 to +125	°C	$T_{amb}$
Storage Temperature Range	$T_{stg}$	-65 to +150	°C	
Soldering Temperature For FP, DIP and SO For CCP	$T_{sol}$	+265 +245	°C	Note 5 Note 6

#### **NOTES:**

1. Device is functional for  $2V \leq V_{DD} \leq 6V$ .
2. Input current limited to  $I_{IC} = \pm 20mA$ .
3. Output current limited to  $I_{OUT} = \pm 25mA$ .
4. The maximum device dissipation is determined by  $I_{DDop} \max (50mA) \times 6V$ .
5. Duration 10 seconds maximum at a distance of not less than 1.5mm from the device body and the same terminal shall not be resoldered until 3 minutes have elapsed.
6. Duration 5 seconds maximum and the same terminal shall not be resoldered until 3 minutes have elapsed.

### 1.6 HANDLING PRECAUTIONS

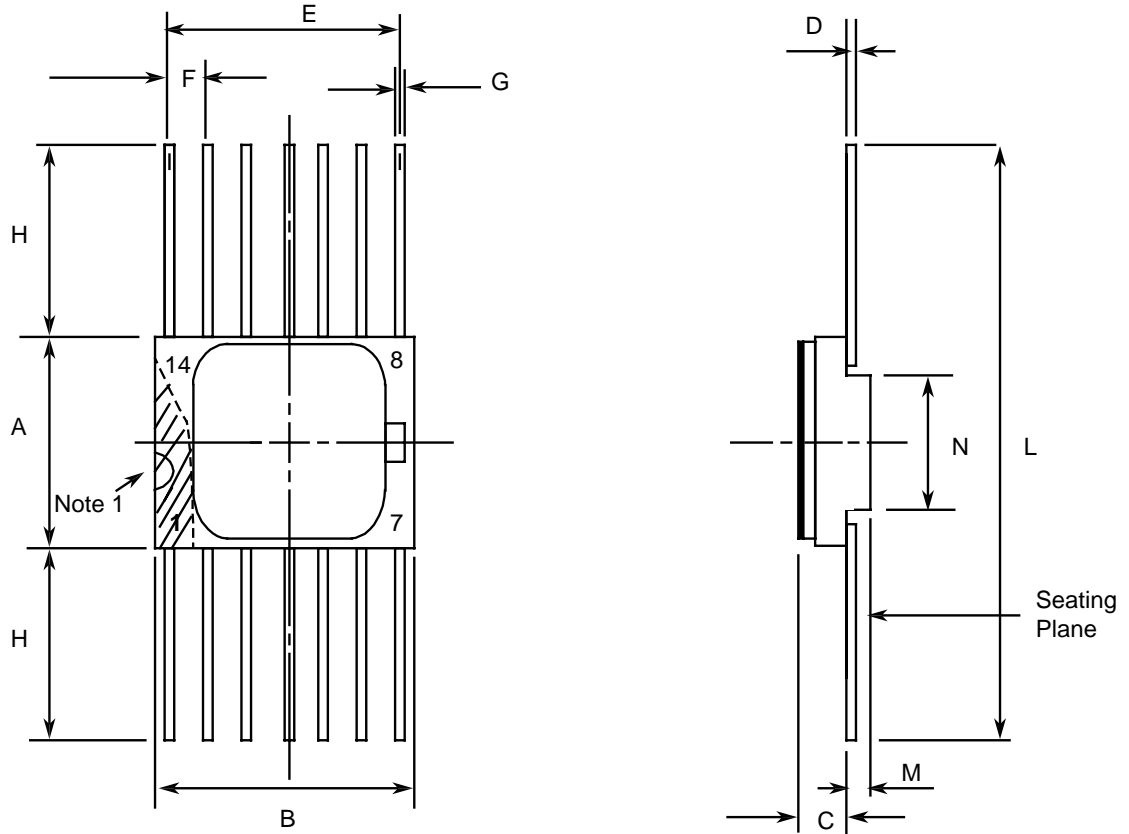
These devices are susceptible to damage by electrostatic discharge. Therefore, suitable precautions shall be employed for protection during all phases of manufacture, testing, packaging, shipment and any handling.

These components are categorised as Class 2 per ESCC Basic Specification No. 23800 with a Minimum Critical Path Failure Voltage of 2500 Volts.

### 1.7 PHYSICAL DIMENSIONS AND TERMINAL IDENTIFICATION

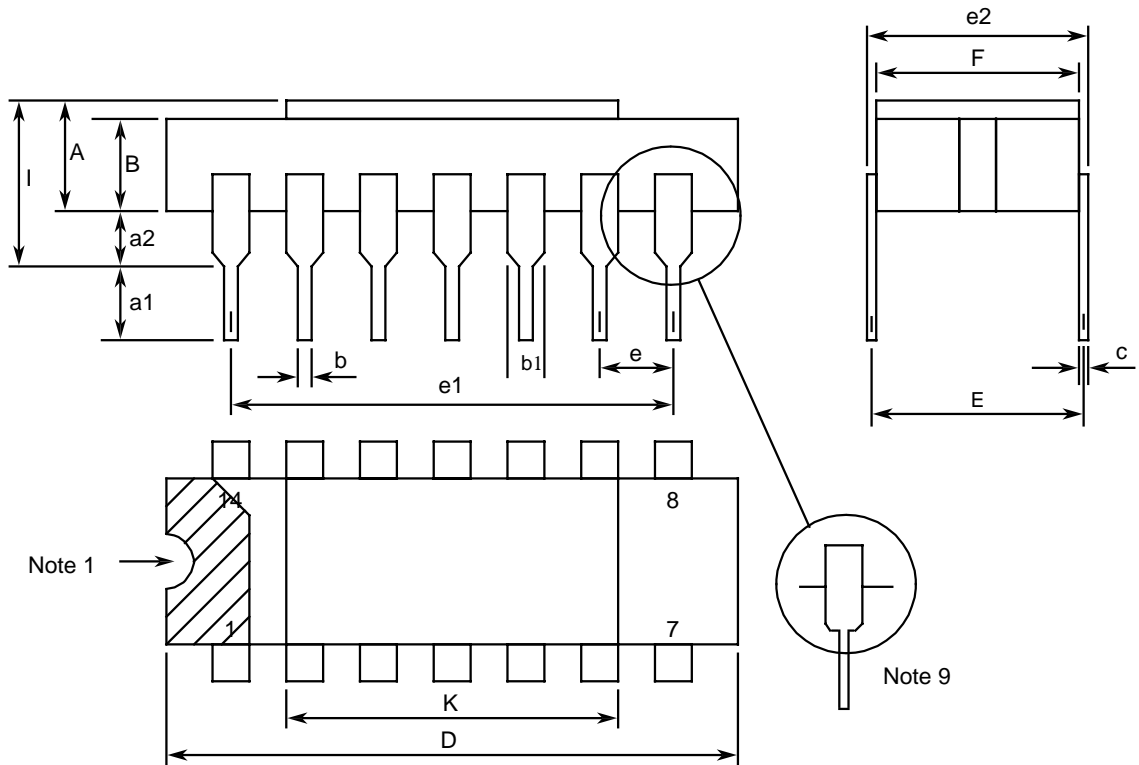
Consolidated Notes are given following the case drawings and dimensions.

1.7.1 Flat Package (FP) - 14 Pin



Symbols	Dimensions mm		Notes
	Min	Max	
A	6.75	7.06	
B	9.76	10.14	
C	1.49	1.95	
D	0.1	0.15	5
E	7.5	7.75	
F	1.27 TYPICAL		3, 6
G	0.38	0.48	5
H	6	-	5
L	18.75	22	
M	0.33	0.43	
N	4.32 TYPICAL		

1.7.2 Dual-in-line Package (DIP) - 14 Pin

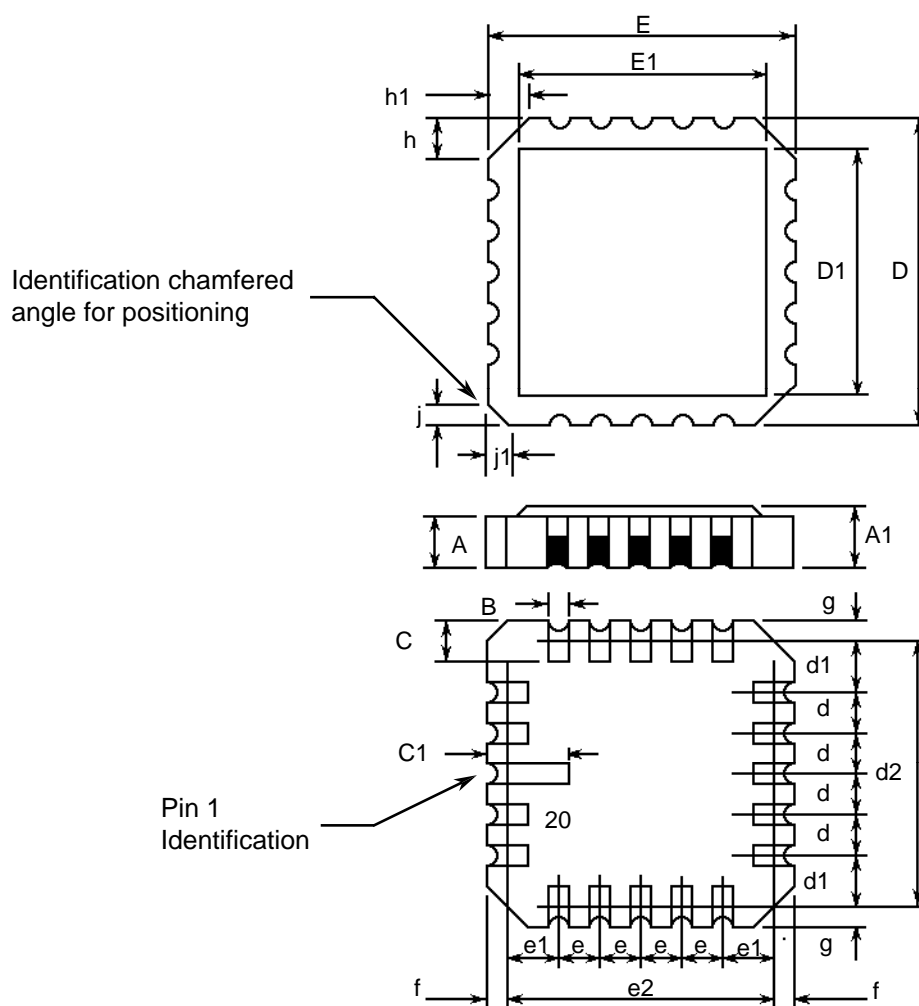


Symbols	Dimensions mm		Notes
	Min	Max	
A	2.1	2.54	
a1	3	3.7	
a2	0.63	1.14	2
B	1.82	2.23	
b	0.4	0.5	5
b1	1.27 TYPICAL		5
c	0.2	0.3	5
D	18.79	19.2	
E	7.36	7.87	
e	2.54 TYPICAL		4, 6
e1	15.11	15.37	
e2	7.62	8.12	
F	7.11	7.75	
I	-	3.7	



Symbols	Dimensions mm		Notes
	Min	Max	
K	10.9	12.1	

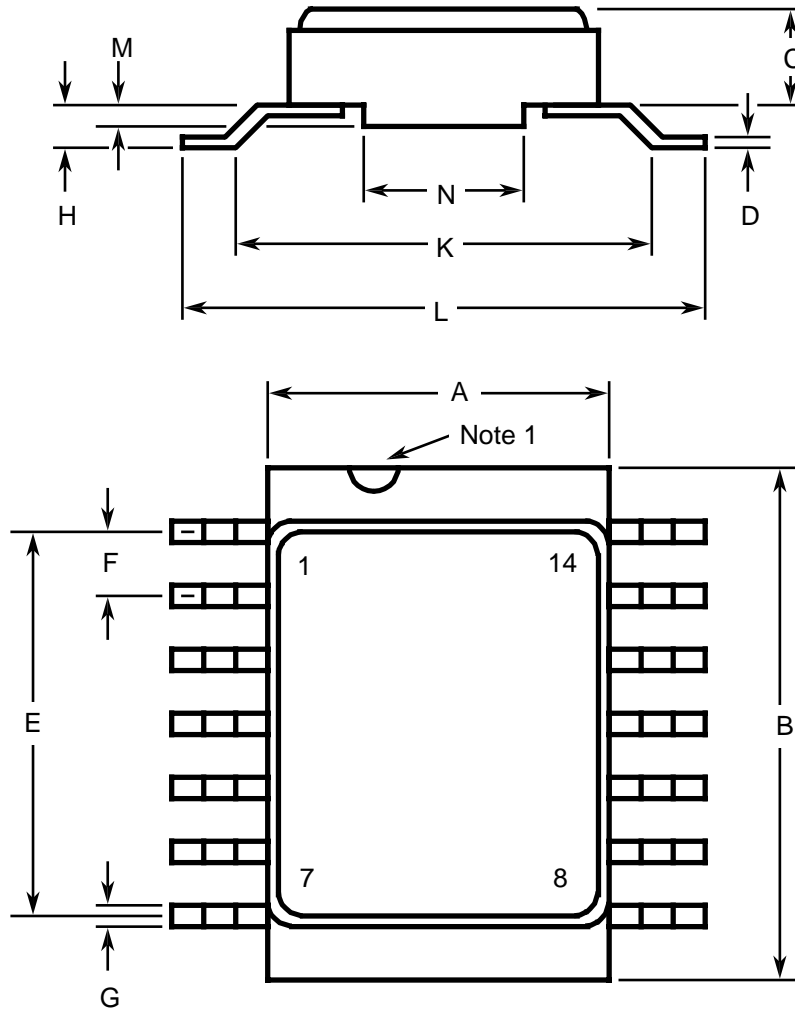
1.7.3 Chip Carrier Package (CCP) - 20 Terminal



Symbols	Dimensions mm		Notes
	Min	Max	
A	1.14	1.95	
A1	1.63	2.36	
B	0.55	0.72	5
C	1.06	1.47	5
C1	1.91	2.41	

Symbols	Dimensions mm		Notes
	Min	Max	
D	8.67	9.09	
D1	7.21	7.52	
d, d1	1.27 TYPICAL		3, 6
d2	7.62 TYPICAL		
E	8.67	9.09	
E1	7.21	7.52	
e, e1	1.27 TYPICAL		3, 6
e2	7.62 TYPICAL		
f, g	-	0.76	
h, h1	1.01 TYPICAL		8
j, j1	0.51 TYPICAL		7

1.7.4 Small Outline Ceramic Package (SO) - 14 Pin



Symbols	Dimensions mm		Notes
	Min	Max	
A	6.75	7.06	
B	9.76	10.14	
C	1.49	1.95	
D	0.1	0.15	5
E	7.5	7.75	
F	1.27 TYPICAL		3, 6
G	0.38	0.48	5
H	0.6	0.9	5
K	9 TYPICAL		
L	10	10.65	

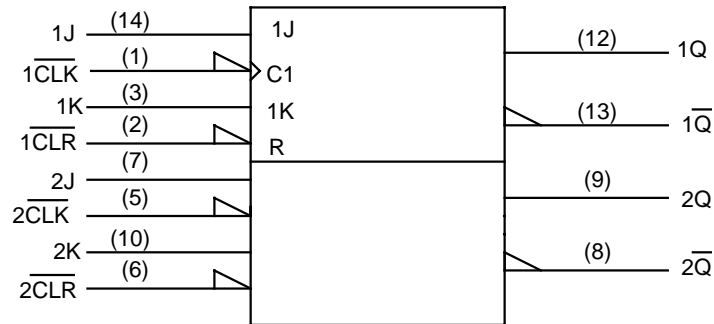
Symbols	Dimensions mm		Notes
	Min	Max	
M	0.33	0.43	
N	4.31 TYPICAL		

1.7.5 Consolidated Notes

1. Index area; a notch or a dot shall be located adjacent to Pin 1 and shall be within the shaded area shown. For chip carrier packages, the index shall be as shown.
2. The dimension shall be measured from the seating plane to the base plane.
3. The true position pin spacing is 1.27mm between centrelines. Each pin centreline shall be located within  $\pm 0.13\text{mm}$  of its true longitudinal position relative to Pin 1 and the highest pin number.
4. The true position pin spacing is 2.54mm between centrelines. Each pin centreline shall be located within  $\pm 0.25\text{mm}$  of its true longitudinal position relative to Pin 1 and the highest pin number.
5. All terminals.
6. 12 spaces for flat, dual-in-line and small outline packages.  
16 spaces for chip carrier packages.
7. Index corner only - 2 dimensions.
8. 3 non-index corners - 6 dimensions.
9. For all pins, either pin shape may be supplied.

1.8 FUNCTIONAL DIAGRAM

Pin numbers relate to FP, DIP and SO packages only.



1.9 PIN ASSIGNMENT

Pin	Function		Pin	Function	
	FP, DIP and SO	CCP		FP, DIP and SO	CCP
1	1 $\overline{\text{CLK}}$ Input (Clock)	-	11	V <sub>SS</sub>	-
2	1 $\overline{\text{CLR}}$ Input (Clear)	1 $\overline{\text{CLK}}$ Input (Clock)	12	1Q Output	2 $\overline{\text{Q}}$ Output
3	1K Input	1 $\overline{\text{CLR}}$ Input (Clear)	13	1 $\overline{\text{Q}}$ Output	2Q Output
4	V <sub>DD</sub>	1K Input	14	1J Input	2K Input
5	2 $\overline{\text{CLK}}$ Input (Clock)	-	15	-	-
6	2 $\overline{\text{CLR}}$ Input (Clear)	V <sub>DD</sub>	16	-	V <sub>SS</sub>
7	2J Input	-	17	-	-
8	2 $\overline{\text{Q}}$ Output	2 $\overline{\text{CLK}}$ Input (Clock)	18	-	1Q Output
9	2Q Output	2 $\overline{\text{CLR}}$ Input (Clear)	19	-	1 $\overline{\text{Q}}$ Output
10	2K Input	2J Input	20	-	1J Input

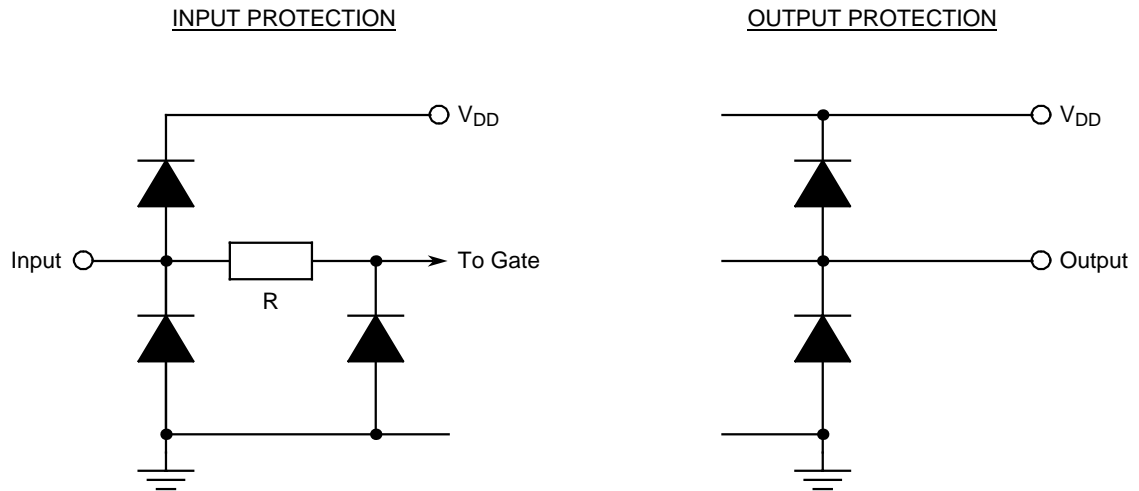
1.10 TRUTH TABLE

- Logic Level Definitions: L = Low Level, H = High Level, X = Irrelevant.
- ↓=Transition, High to Low.

EACH FLIP-FLOP

INPUTS				OUTPUTS		FUNCTION
$\overline{\text{CLR}}$	J	K	$\overline{\text{CLK}}$	Q	$\overline{\text{Q}}$	
L	X	X	X	L	H	Clear
H	L	L	↓	Q <sub>n</sub>	$\overline{\text{Q}}_n$	No Change
H	L	H	↓	L	H	-
H	H	L	↓	H	L	-
H	H	H	↓	$\overline{\text{Q}}_n$	Q <sub>n</sub>	Toggle
H	X	X	H	Q <sub>n</sub>	$\overline{\text{Q}}_n$	No Change

1.11 PROTECTION NETWORKS



2. REQUIREMENTS

2.1 GENERAL

The complete requirements for procurement of the components specified herein are as stated in this specification and the applicable ESCC Generic Specification. Permitted deviations from the applicable Generic Specification, applicable to this specification only, are listed below.

Permitted deviations from the applicable Generic Specification and this Detail Specification, formally agreed with specific Manufacturers on the basis that the alternative requirements are equivalent to the ESCC requirement and do not affect the component's reliability, are listed in the appendices attached to this specification.

2.1.1 Deviations from the Generic Specification

None.

2.2 MARKING

The marking shall be in accordance with the requirements of ESCC Basic Specification No. 21700 and as follows.

The information to be marked on the component shall be:

- (a) Terminal identification.
- (b) The ESCC qualified components symbol (for ESCC qualified components only).
- (c) The ESCC Component Number.
- (d) Traceability information.

2.3 ELECTRICAL MEASUREMENTS AT ROOM HIGH AND LOW TEMPERATURES

Electrical measurements shall be performed at room, high and low temperatures. Consolidated Notes

are given after the tables.

2.3.1 Room Temperature Electrical Measurements

The measurements shall be performed at  $T_{amb}=+22 \pm 3^{\circ}C$ .

Characteristics	Symbols	MIL-STD-883 Test Method	Test Conditions Note 1	Limits		Units
				Min	Max	
Functional Test 1	-	3014	Verify Truth Table without Load $V_{IL}=0.3V, V_{IH}=1.5V$ $V_{DD}=2V, V_{SS}=0V$ $t_r < 1\mu s$ , Note 2	-	-	-
Functional Test 2	-	3014	Verify Truth Table without Load $V_{IL}=0.9V, V_{IH}=3.15V$ $V_{DD}=4.5V, V_{SS}=0V$ $t_r = t_f < 500ns$ Note 2	-	-	-
Functional Test 3	-	3014	Verify Truth Table without Load $V_{IL}=1.2V, V_{IH}=4.2V$ $V_{DD}=6V, V_{SS}=0V$ $t_r = t_f < 400ns$ Note 2	-	-	-
Quiescent Current	$I_{DD}$	3005	$V_{IL}=0V, V_{IH}=6V$ $V_{DD}=6V, V_{SS}=0V$ All Outputs Open Note 3	-	200	nA
Low Level Input Current	$I_{IL}$	3009	$V_{IN}(\text{Under Test})=0V$ $V_{IN}(\text{Remaining Inputs})=6V$ $V_{DD}=6V, V_{SS}=0V$	-	-50	nA
High Level Input Current	$I_{IH}$	3010	$V_{IN}(\text{Under Test})=6V$ $V_{IN}(\text{Remaining Inputs})=0V$ $V_{DD}=6V, V_{SS}=0V$	-	50	nA
Low Level Output Voltage 1	$V_{OL1}$	3007	$V_{IL}=0.3V, V_{IH}=1.5V,$ $I_{OL}=20\mu A$ $V_{DD}=2V, V_{SS}=0V$	-	100	mV
Low Level Output Voltage 2	$V_{OL2}$	3007	$V_{IL}=0.9V, V_{IH}=3.15V,$ $I_{OL}=20\mu A$ $V_{DD}=4.5V, V_{SS}=0V$	-	100	mV
Low Level Output Voltage 3	$V_{OL3}$	3007	$V_{IL}=1.2V, V_{IH}=4.2V,$ $I_{OL}=20\mu A$ $V_{DD}=6V, V_{SS}=0V$	-	100	mV

Characteristics	Symbols	MIL-STD-883 Test Method	Test Conditions Note 1	Limits		Units
				Min	Max	
Low Level Output Voltage 4	$V_{OL4}$	3007	$V_{IL}=0.9V, V_{IH}=3.15V,$ $I_{OL}=4mA$ $V_{DD}=4.5V, V_{SS}=0V$	-	260	mV
Low Level Output Voltage 5	$V_{OL5}$	3007	$V_{IL}=1.2V, V_{IH}=4.2V,$ $I_{OL}=5.2mA$ $V_{DD}=6V, V_{SS}=0V$	-	260	mV
High Level Output Voltage 1	$V_{OH1}$	3006	$V_{IL}=0.3V, V_{IH}=1.5V,$ $I_{OH}=-20\mu A$ $V_{DD}=2V, V_{SS}=0V$	1.9	-	V
High Level Output Voltage 2	$V_{OH2}$	3006	$V_{IL}=0.9V, V_{IH}=3.15V,$ $I_{OH}=-20\mu A$ $V_{DD}=4.5V, V_{SS}=0V$	4.4	-	V
High Level Output Voltage 3	$V_{OH3}$	3006	$V_{IL}=1.2V, V_{IH}=4.2V,$ $I_{OH}=-20\mu A$ $V_{DD}=6V, V_{SS}=0V$	5.9	-	V
High Level Output Voltage 4	$V_{OH4}$	3006	$V_{IL}=0.9V, V_{IH}=3.15V,$ $I_{OH}=-4mA$ $V_{DD}=4.5V, V_{SS}=0V$	3.98	-	V
High Level Output Voltage 5	$V_{OH5}$	3006	$V_{IL}=1.2V, V_{IH}=4.2V,$ $I_{OH}=-5.2mA$ $V_{DD}=6V, V_{SS}=0V$	5.48	-	V
Threshold Voltage N-Channel	$V_{THN}$	-	$\overline{1CLK}$ Input at Ground All Other Inputs: $V_{IN}=5V$ $V_{DD}=5V, I_{SS}=-10\mu A$	-0.45	-1.45	V
Threshold Voltage P-Channel	$V_{THP}$	-	$\overline{1CLK}$ and $\overline{1CLR}$ Inputs at Ground All Other Inputs: $V_{IN}=-5V$ $V_{SS}=-5V, I_{DD}=10\mu A$	0.45	1.35	V
Input Clamp Voltage (to $V_{SS}$ )	$V_{IC1}$	-	$I_{IN}$ (Under Test)= -0.1mA $V_{DD}=\text{Open}, V_{SS}=0V$ All Other Pins Open	-400	-900	mV
Input Clamp Voltage (to $V_{DD}$ )	$V_{IC2}$	-	$I_{IN}$ (Under Test)= 0.1mA $V_{DD}=0V, V_{SS}=\text{Open}$ All Other Pins Open	400	900	mV
Input Capacitance	$C_{IN}$	3012	$V_{IN}$ (Not Under Test)=0V $V_{DD}=V_{SS}=0V$ $f = 100 \text{ kHz to } 1 \text{ MHz}$ Note 4	-	10	pF



Characteristics	Symbols	MIL-STD-883 Test Method	Test Conditions Note 1	Limits		Units
				Min	Max	
Propagation Delay Low to High 1, $\overline{\text{CLK}}$ to Q and $\overline{\text{Q}}$	$t_{\text{PLH1}}$	3003	$V_{\text{IN}}(\text{Under Test})=\text{Pulse Generator}$ $V_{\text{IN}}(\text{Remaining Inputs})=\text{Truth Table}$ $V_{\text{DD}}=4.5\text{V}, V_{\text{SS}}=0\text{V}$ Note 5	-	30	ns
Propagation Delay High to Low 1, $\overline{\text{CLK}}$ to Q and $\overline{\text{Q}}$	$t_{\text{PHL1}}$	3003	$V_{\text{IN}}(\text{Under Test})=\text{Pulse Generator}$ $V_{\text{IN}}(\text{Remaining Inputs})=\text{Truth Table}$ $V_{\text{DD}}=4.5\text{V}, V_{\text{SS}}=0\text{V}$ Note 5	-	30	ns
Propagation Delay Low to High 2, $\overline{\text{CLR}}$ to $\overline{\text{Q}}$	$t_{\text{PLH2}}$	3003	$V_{\text{IN}}(\text{Under Test})=\text{Pulse Generator}$ $V_{\text{IN}}(\text{Remaining Inputs})=\text{Truth Table}$ $V_{\text{DD}}=4.5\text{V}, V_{\text{SS}}=0\text{V}$ Note 5	-	37	ns
Propagation Delay High to Low 2, $\overline{\text{CLR}}$ to Q	$t_{\text{PHL2}}$	3003	$V_{\text{IN}}(\text{Under Test})=\text{Pulse Generator}$ $V_{\text{IN}}(\text{Remaining Inputs})=\text{Truth Table}$ $V_{\text{DD}}=4.5\text{V}, V_{\text{SS}}=0\text{V}$ Note 5	-	37	ns
Transition Time Low to High, 1Q, 2Q, 1 $\overline{\text{Q}}$ , 2 $\overline{\text{Q}}$	$t_{\text{TLH}}$	3004	$V_{\text{IN}}(\text{Under Test})=\text{Pulse Generator}$ $V_{\text{IN}}(\text{Remaining Inputs})=\text{Truth Table}$ $V_{\text{DD}}=4.5\text{V}, V_{\text{SS}}=0\text{V}$ Note 5	-	15	ns
Transition Time High to Low 1Q, 2Q, 1 $\overline{\text{Q}}$ , 2 $\overline{\text{Q}}$	$t_{\text{THL}}$	3004	$V_{\text{IN}}(\text{Under Test})=\text{Pulse Generator}$ $V_{\text{IN}}(\text{Remaining Inputs})=\text{Truth Table}$ $V_{\text{DD}}=4.5\text{V}, V_{\text{SS}}=0\text{V}$ Note 5	-	15	ns
Maximum Clock Frequency	$f_{(\text{CLK})}$	-	Clock=Pulse Generator $V_{\text{DD}}=4.5\text{V}, V_{\text{SS}}=0\text{V}$ Note 6, 7	30	-	MHz

2.3.2 High and Low Temperatures Electrical Measurements

The measurements shall be performed at  $T_{\text{amb}}=+125 (+0 -5) ^\circ\text{C}$  and  $T_{\text{amb}}=- 55(+5-0)^\circ\text{C}$ .

Characteristics	Symbols	MIL-STD-883 Test Method	Test Conditions Note 1	Limits		Units
				Min	Max	
Functional Test 1	-	3014	Verify Truth Table without Load $V_{IL}=0.3V, V_{IH}=1.5V$ $V_{DD}=2V, V_{SS}=0V$ $t_r < 1\mu s$ , Note 2	-	-	-
Functional Test 2	-	3014	Verify Truth Table without Load $V_{IL}=0.9V, V_{IH}=3.15V$ $V_{DD}=4.5V, V_{SS}=0V$ $t_r = t_f < 500ns$ Note 2	-	-	-
Functional Test 3	-	3014	Verify Truth Table without Load $V_{IL}=1.2V, V_{IH}=4.2V$ $V_{DD}=6V, V_{SS}=0V$ $t_r = t_f < 400ns$ Note 2	-	-	-
Quiescent Current	$I_{DD}$	3005	$V_{IL}=0V, V_{IH}=6V$ $V_{DD}=6V, V_{SS}=0V$ All Outputs Open Note 3	-	4	$\mu A$
Low Level Input Current	$I_{IL}$	3009	$V_{IN}$ (Under Test)=0V $V_{IN}$ (Remaining Inputs)=6V $V_{DD}=6V, V_{SS}=0V$	-	-1	$\mu A$
High Level Input Current	$I_{IH}$	3010	$V_{IN}$ (Under Test)=6V $V_{IN}$ (Remaining Inputs)=0V $V_{DD}=6V, V_{SS}=0V$	-	1	$\mu A$
Low Level Output Voltage 1	$V_{OL1}$	3007	$V_{IL}=0.3V, V_{IH}=1.5V,$ $I_{OL}=20\mu A$ $V_{DD}=2V, V_{SS}=0V$	-	100	mV
Low Level Output Voltage 2	$V_{OL2}$	3007	$V_{IL}=0.9V, V_{IH}=3.15V,$ $I_{OL}=20\mu A$ $V_{DD}=4.5V, V_{SS}=0V$	-	100	mV
Low Level Output Voltage 3	$V_{OL3}$	3007	$V_{IL}=1.2V, V_{IH}=4.2V,$ $I_{OL}=20\mu A$ $V_{DD}=6V, V_{SS}=0V$	-	100	mV
Low Level Output Voltage 4	$V_{OL4}$	3007	$V_{IL}=0.9V, V_{IH}=3.15V,$ $I_{OL}=4mA$ $V_{DD}=4.5V, V_{SS}=0V$	-	400	mV
Low Level Output Voltage 5	$V_{OL5}$	3007	$V_{IL}=1.2V, V_{IH}=4.2V,$ $I_{OL}=5.2mA$ $V_{DD}=6V, V_{SS}=0V$	-	400	mV

Characteristics	Symbols	MIL-STD-883 Test Method	Test Conditions Note 1	Limits		Units
				Min	Max	
High Level Output Voltage 1	$V_{OH1}$	3006	$V_{IL}=0.3V, V_{IH}=1.5V, I_{OH}=-20\mu A, V_{DD}=2V, V_{SS}=0V$	1.9	-	V
High Level Output Voltage 2	$V_{OH2}$	3006	$V_{IL}=0.9V, V_{IH}=3.15V, I_{OH}=-20\mu A, V_{DD}=4.5V, V_{SS}=0V$	4.4	-	V
High Level Output Voltage 3	$V_{OH3}$	3006	$V_{IL}=1.2V, V_{IH}=4.2V, I_{OH}=-20\mu A, V_{DD}=6V, V_{SS}=0V$	5.9	-	V
High Level Output Voltage 4	$V_{OH4}$	3006	$V_{IL}=0.9V, V_{IH}=3.15V, I_{OH}=-4mA, V_{DD}=4.5V, V_{SS}=0V$	3.7	-	V
High Level Output Voltage 5	$V_{OH5}$	3006	$V_{IL}=1.2V, V_{IH}=4.2V, I_{OH}=-5.2mA, V_{DD}=6V, V_{SS}=0V$	5.2	-	V
Input Clamp Voltage (to $V_{SS}$ )	$V_{IC1}$	-	$I_{IN}$ (Under Test) = -0.1mA $V_{DD}$ =Open, $V_{SS}$ =0V All Other Pins Open	-0.1	-1.2	V
Input Clamp Voltage (to $V_{DD}$ )	$V_{IC2}$	-	$I_{IN}$ (Under Test) = 0.1mA $V_{DD}$ =0V, $V_{SS}$ =Open All Other Pins Open	0.1	1.2	V

2.3.3 Notes to Electrical Measurement Tables

- Unless otherwise specified all inputs and outputs on all gates shall be tested for each characteristic.
- Functional tests shall be performed with  $f = 10 \text{ kHz}$  (min). The Maximum time to output comparator strobe =  $30\mu s$ .
- Quiescent Current shall be tested using the following input conditions:
  - $1 \overline{CLK} = 2 CLK = \text{high to low transition}$  ;  $1K = 2K = V_{IL}$  ; all other inputs =  $V_{IH}$
  - All inputs =  $V_{IL}$
- Guaranteed but not tested.
- Measurements shall be performed as a go-no-go test on a 100% basis. Read and record measurements shall be performed on a sample of 5 components.  
The pulse generator shall have the following characteristics:  
 $V_{GEN} = 0 \text{ to } V_{DD}$ ;  $f = 1 \text{ MHz}$  minimum;  $t_r$  and  $t_f \leq 6 \text{ ns}$  (10% to 90%); duty cycle = 50%;  $Z_{out} = 50\Omega$   
Output load capacitance for gate under test  $C_L = 50pF \pm 5\%$  including scope probe, wiring and stray capacitance without component in the test fixture.  
Propagation delay shall be measured referenced to the 50% input and output voltages.  
Transition time shall be measured referenced to the 10% and 90% output voltage.
- Read and record measurements shall be performed on a sample of 5 components.
- A pulse, having the following conditions, shall be applied to the clock input:  $V_p = 0V \text{ to } V_{DD}V_{dc}$ .  
Maximum clock frequency  $f_{(CLK)}$  requirement shall be considered as met if proper output state changes occur with the pulse repetition rate set to that given in the "Limits" column.

2.4 PARAMETER DRIFT VALUES

Unless otherwise specified, the measurements shall be performed at  $T_{amb} = +22 \pm 3^{\circ}\text{C}$ .

The test methods and test conditions shall be as per the corresponding test defined in Electrical Measurements at Room Temperature.

The drift values ( $\Delta$ ) shall not be exceeded for each characteristic specified. The corresponding absolute limit values for each characteristic shall not be exceeded.

Characteristics	Symbols	Limits			Units
		Drift Value $\Delta$	Absolute		
			Min	Max	
Quiescent Current	$I_{DD}$	$\pm 60$	-	200	nA
Low Level Input Current	$I_{IL}$	$\pm 20$	-	-50	nA
High Level Input Current	$I_{IH}$	$\pm 20$	-	50	nA
Low Level Output Voltage 4	$V_{OL4}$	$\pm 26$	-	260	mV
High Level Output Voltage 4	$V_{OH4}$	$\pm 0.2$	3.98	-	V
Threshold Voltage N-Channel	$V_{THN}$	$\pm 0.3$	-0.45	-1.45	V
Threshold Voltage P-Channel	$V_{THP}$	$\pm 0.3$	0.45	1.35	V

**NOTES:**

Unless otherwise specified all inputs and outputs on all gates shall be tested for each characteristic.

2.5 INTERMEDIATE AND END-POINT ELECTRICAL MEASUREMENTS

Unless otherwise specified, the measurements shall be performed at  $T_{amb} = +22 \pm 3^{\circ}\text{C}$ .

The test methods and test conditions shall be as per the corresponding test defined in Electrical Measurements at Room Temperature.

The drift values ( $\Delta$ ) shall not be exceeded for each characteristic where specified. The corresponding absolute limit values for each characteristic shall not be exceeded.

Characteristics	Symbols	Limits			Units
		Drift Value $\Delta$	Absolute		
			Min	Max	
Functional Test 1	-	-	-	-	-
Functional Test 2	-	-	-	-	-
Functional Test 3	-	-	-	-	-
Quiescent Current	$I_{DD}$	$\pm 60$	-	200	nA
Low Level Input Current	$I_{IL}$	$\pm 20$	-	-50	nA
High Level Input Current	$I_{IH}$	$\pm 20$	-	50	nA
Low Level Output Voltage 4	$V_{OL4}$	$\pm 26$	-	260	mV
Low Level Output Voltage 5	$V_{OL5}$	$\pm 26$	-	260	mV
High Level Output Voltage 4	$V_{OH4}$	$\pm 0.2$	3.98	-	V
High Level Output Voltage 5	$V_{OH5}$	$\pm 0.2$	5.48	-	V
Threshold Voltage N-Channel	$V_{THN}$	$\pm 0.3$	-0.45	-1.45	V
Threshold Voltage P-Channel	$V_{THP}$	$\pm 0.3$	0.45	1.35	V

**NOTES:**

1. Unless otherwise specified all inputs and outputs on all gates shall be tested for each characteristic.
2. The drift values ( $\Delta$ ) are applicable to the Operating Life test only.

2.6 HIGH TEMPERATURE REVERSE BIAS BURN-IN CONDITIONS

2.6.1 N-Channel HTRB

Characteristics	Symbols	Test Conditions	Units
Ambient Temperature	$T_{amb}$	+125 (+0 -5)	$^{\circ}C$
Outputs Q, $\bar{Q}$ (all gates)	$V_{OUT}$	Open or $V_{SS}$	-
Inputs $\bar{CLR}$ , $\bar{CLK}$ , J, K (all gates)	$V_{IN}$	$V_{SS}$	V
Positive Supply Voltage	$V_{DD}$	6 (+0 -0.5)	V
Negative Supply Voltage	$V_{SS}$	0	V
Duration	t	72	Hours

**NOTES:**

1. Input Protection Resistor = 680 $\Omega$  min to 47k $\Omega$  max.
2. Output Load = 1k $\Omega$  min to 10k $\Omega$  max.

2.6.2 P-Channel HTRB

Characteristics	Symbols	Test Conditions	Units
Ambient Temperature	$T_{amb}$	+125 (+0 -5)	°C
Outputs Q, $\bar{Q}$ (all gates)	$V_{OUT}$	Open or $V_{DD}$	-
Inputs $\overline{CLR}$ , $\overline{CLK}$ , J, K (all gates)	$V_{IN}$	$V_{DD}$	V
Positive Supply Voltage	$V_{DD}$	6 (+0 -0.5)	V
Negative Supply Voltage	$V_{SS}$	0	V
Duration	t	72	Hours

**NOTES:**

1. Input Protection Resistor = 680Ω min to 47kΩ max.
2. Output Load = 1kΩ min to 10kΩ max.

2.7 POWER BURN-IN CONDITIONS

Characteristics	Symbols	Test Conditions	Units
Ambient Temperature	$T_{amb}$	+125 (+0 -5)	°C
Outputs Q, $\bar{Q}$ (all gates)	$V_{OUT}$	$V_{DD}$	V
Inputs $\overline{CLR}$ , J, K (all gates)	$V_{IN}$	$V_{DD}$	V
Inputs $\overline{CLK}$ (all gates)	$V_{IN}$	$V_{GEN}$	V
Pulse Voltage	$V_{GEN}$	0V to $V_{DD}$	V
Pulse Frequency Square Wave	$f_{GEN}$	100k ± 10% 50 ± 15% Duty Cycle $t_r=t_f \leq 400ns$	Hz
Positive Supply Voltage	$V_{DD}$	6 (+0 -0.5)	V
Negative Supply Voltage	$V_{SS}$	0	V

**NOTES:**

1. Input Protection Resistor = 680Ω min to 47kΩ max.
2. Output Load = 1kΩ min to 10kΩ max.

2.8 OPERATING LIFE CONDITIONS

The conditions shall be as specified for power burn-in.

2.9 TOTAL DOSE RADIATION TESTING

2.9.1 Bias Conditions and Total Dose Level for Total Dose Radiation Testing

Continuous bias shall be applied during irradiation testing as specified below.

The total dose level applied shall be as specified in the component type variant information herein or in the purchase order.

Characteristics	Symbols	Test Conditions	Units
Ambient Temperature	$T_{amb}$	$+ 22 \pm 3$	$^{\circ}C$
Outputs Q, $\bar{Q}$ (all gates)	$V_{OUT}$	Open	-
Inputs $\bar{CLR}$ (all gates)	$V_{IN}$	$V_{SS}$	V
Inputs Data, $\bar{CLK}$ , J ,K (all gates)	$V_{IN}$	$V_{DD}$	V
Positive Supply Voltage	$V_{DD}$	$6 \pm 0.3$	V
Negative Supply Voltage	$V_{SS}$	0	V

**NOTES:**

1. Input Protection Resistor = 680 $\Omega$  min to 47k $\Omega$  max.

2.9.2 Electrical Measurements for Total Dose Radiation Testing

Prior to irradiation testing the devices shall have successfully met Room Temperature Electrical Measurements specified herein.

Unless otherwise stated the measurements shall be performed at  $T_{amb} = +22 \pm 3 \text{ }^{\circ}C$ .

The test methods and test conditions shall be as per the corresponding test defined in Electrical Measurements at Room temperature.

The parameters to be measured during and on completion of irradiation testing are shown below.

Unless otherwise specified all inputs and outputs on all gates shall be tested for each characteristic.

Characteristics	Symbols	Limits			Units
		Drift Values $\Delta$	Absolute		
			Min	Max	
Quiescent Current	$I_{DD}$	-	-	20	$\mu A$
Threshold Voltage N-Channel	$V_{THN}$	$\pm 0.6$	-0.4	-1.5	V
Threshold Voltage P-Channel	$V_{THP}$	$\pm 0.6$	0.4	1.4	V

**APPENDIX 'A'**

**AGREED DEVIATIONS FOR STMICROELECTRONICS (F)**

ITEMS AFFECTED	DESCRIPTION OF DEVIATIONS
<p>Deviations from Screening Tests - Chart F3</p>	<p>External Visual Inspection: The criteria applicable to chip out are those described in MIL-STD-883, Test Method 2009, Paras 3.3.6(b) and 3.3.7(a).</p> <p>High Temperature Reverse Bias Burn-in: The temperature limits of MIL-STD-883, Para. 4.5.8(c) may be used.</p> <p>Power Burn-in test is performed using STMicroelectronics Specification Ref: 0019255.</p>
<p>Deviations from Qualification and Periodic Tests - Chart F4</p>	<p>External Visual Inspection: The criteria applicable to chip out are those described in MIL-STD-883, Test Method 2009, Paras 3.3.6(b) and 3.3.7(a).</p> <p>Operating Life: The temperature limits of MIL-STD-883, Para. 4.5.8(c) may be used.</p>
<p>Deviations from Electrical Measurements at High and Low Temperatures</p>	<p>Electrical Measurements at High and Low Temperatures may be considered guaranteed but not tested if successful pilot lot testing has been performed on the wafer lot which includes High and Low Temperature Electrical Measurements per the detail specification.</p> <p>A summary of the pilot lot testing shall be provided if required by the purchase order.</p>
<p>Deviations from Room Temperature Electrical Measurements</p>	<p>All AC characteristics (Capacitance and Timings) may be considered guaranteed but not tested if successful pilot lot testing has been performed on the wafer lot which includes AC characteristic measurements per the detail specification.</p> <p>A summary of the pilot lot testing shall be provided if required by the purchase order.</p>