



Pages 1 to 15

**LOAD,
RF, COAXIAL, TYPE SMA, DC - 18GHZ**

ESCC Detail Specification No. 3403/004

Issue 4	September 2011
---------	----------------



Document Custodian: European Space Agency - see <https://escies.org>

LEGAL DISCLAIMER AND COPYRIGHT

European Space Agency, Copyright © 2011. All rights reserved.

The European Space Agency disclaims any liability or responsibility, to any person or entity, with respect to any loss or damage caused, or alleged to be caused, directly or indirectly by the use and application of this ESCC publication.

This publication, without the prior permission of the European Space Agency and provided that it is not used for a commercial purpose, may be:

- copied in whole, in any medium, without alteration or modification.
- copied in part, in any medium, provided that the ESCC document identification, comprising the ESCC symbol, document number and document issue, is removed.

DOCUMENTATION CHANGE NOTICE

(Refer to <https://escies.org> for ESCC DCR content)

DCR No.	CHANGE DESCRIPTION
649	Specification upissued to incorporate editorial changes per DCR

TABLE OF CONTENTS

1.	<u>GENERAL</u>	5
1.1	Scope	5
1.2	Applicable Documents	5
1.3	Terms, Definitions, Abbreviations, Symbols and Units	5
1.4	The ESCC Component Number and Component Type Variants	5
1.4.1	The ESCC Component Number	5
1.4.2	Component Type Variants and Range of Components	5
1.5	Maximum Ratings	6
1.6	Physical Dimensions	6
1.6.1	Interface Dimensions	7
1.6.2	Mating Gauge Dimensions	9
1.7	Materials and Finishes	10
2.	<u>REQUIREMENTS</u>	11
2.1	General	11
2.1.1	Deviations from the Generic Specification	11
2.1.1.1	Deviations from Qualification and Periodic Tests - Chart F4	11
2.2	Marking	11
2.3	Coupling Proof Torque Test	11
2.4	Mating and Unmating Forces Test	11
2.5	Electrical Measurements at Room, High and Low temperatures	11
2.5.1	Room Temperature Electrical Measurements	11
2.5.2	High and Low Temperatures Electrical Measurements	12
2.6	Parameter Drift Values	12
2.7	Intermediate and End-Point Electrical Measurements	12
2.8	Burn-in Conditions	14
2.9	Operating Life Conditions	15

1. GENERAL

1.1 SCOPE

This specification details the ratings, physical and electrical characteristics and test and inspection data for the component type variants and/or the range of components specified below. It supplements the requirements of, and shall be read in conjunction with, the ESCC Generic Specification listed under Applicable Documents.

1.2 APPLICABLE DOCUMENTS

The following documents form part of this specification and shall be read in conjunction with it:

- (a) ESCC Generic Specification No. 3403.

1.3 TERMS, DEFINITIONS, ABBREVIATIONS, SYMBOLS AND UNITS

For the purpose of this specification, the terms, definitions, abbreviations, symbols and units specified in ESCC Basic Specification No. 21300 shall apply.

1.4 THE ESCC COMPONENT NUMBER AND COMPONENT TYPE VARIANTS

1.4.1 The ESCC Component Number

The ESCC Component Number shall be constituted as follows:

Example: 340300401

- Detail Specification Reference: 3403004
- Component Type Variant Number: 01 (as required)

1.4.2 Component Type Variants and Range of Components

The component type variants and range of components applicable to this specification are as follows:

Variant Number	Connector Type	Body Material and Finish	VSWR	Weight Max (g)
01	SMA Male	Beryllium Copper, Copper Underplate, Gold Plated	$DC < f \leq 15\text{GHz}$ $\leq 1.05 + 0.0125f \text{ (GHz)}$	3.5
02	SMA Male	Beryllium Copper, Nickel Underplate, Gold Plated		$15 < f \leq 18\text{GHz}$ ≤ 1.3
03	SMA Male	Amagnetic Stainless Steel, Electro-passivated		3.5

1.5 MAXIMUM RATINGS

The maximum ratings shall not be exceeded at any time during use or storage.

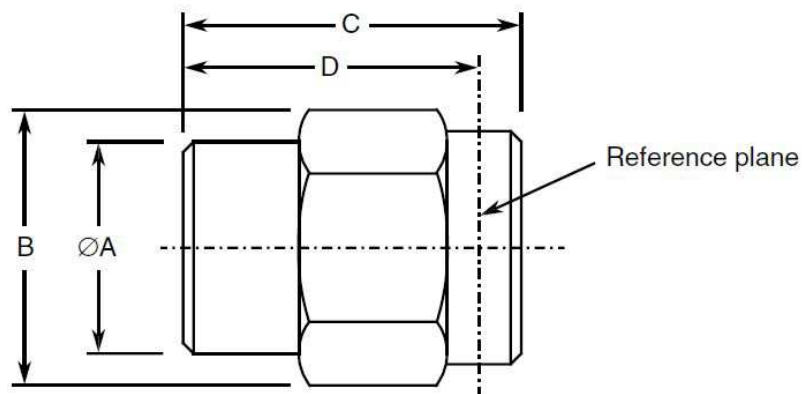
Maximum ratings shall only be exceeded during testing to the extent specified in this specification and when stipulated in Test Methods and Procedures of the ESCC Generic Specification.

Characteristics	Symbols	Maximum Ratings	Units	Remarks
RF Power	P_{RF}	1	W	At $T_{amb} \leq +25^{\circ}C$ Notes 1, 2
Peak Power	P_P	100	W	duration $1\mu s$ 1% duty cycle
DC Power	P_{DC}	1	W	$T_{amb}=+25^{\circ}C$
Impedance	Z	47.5 to 52.5	Ω	-
Frequency Range	f_{op}	DC to 18	GHz	-
RF Leakage	E	$-[80 - f(\text{GHz})]$	dBi	-
Operating Temperature Range	T_{op}	-55 to +125	$^{\circ}C$	T_{amb}
Storage Temperature Range	T_{stg}	-55 to +125	$^{\circ}C$	-
Coupling Nut Torque	T_q	120	N.cm	Note 3

NOTES:

1. With Load mated with a mounted square flange SMA connector.
2. For $T_{amb} > +25^{\circ}C$, derate linearly to 0W at $+125^{\circ}C$.
3. Coupling Proof Torque: 170N.cm

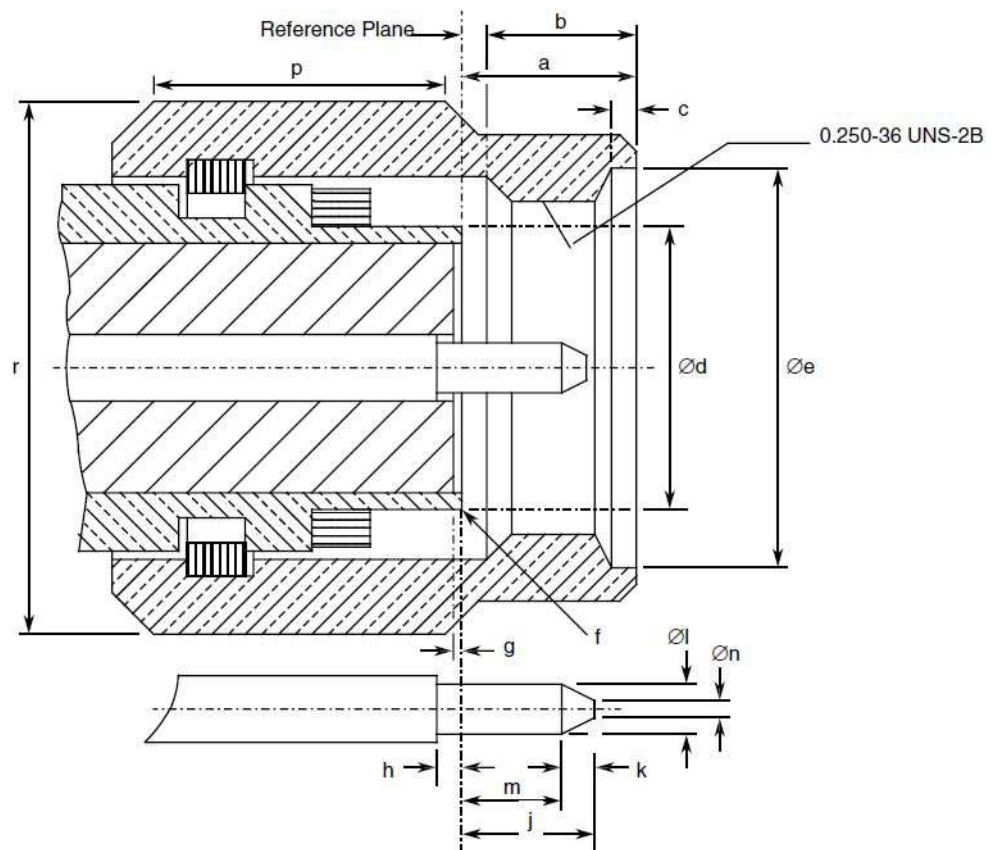
1.6 PHYSICAL DIMENSIONS

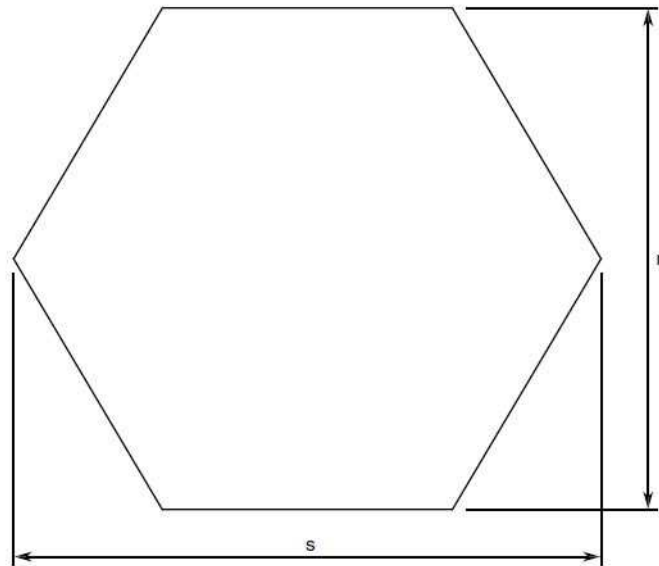


Symbols	Dimensions mm	
	Min	Max
ØA	6.2	6.4
B	7.8	8
C	-	12
D	-	10.5

1.6.1 Interface Dimensions

Male Interface

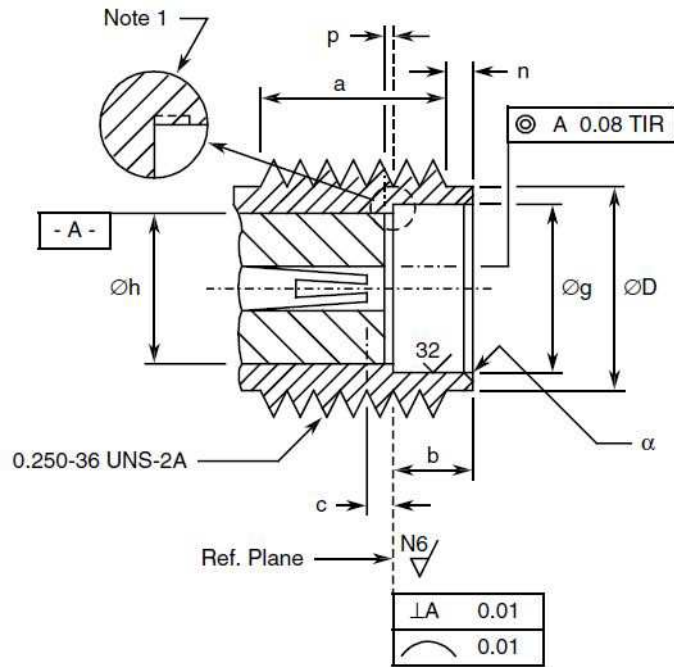




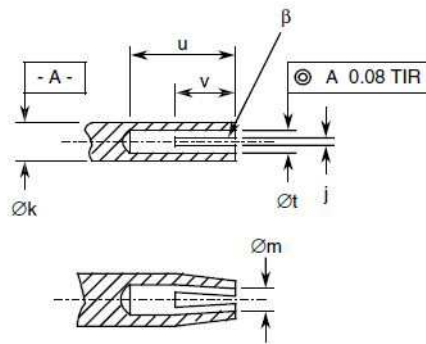
Symbols	Dimensions mm		Notes
	Min	Max	
a	-	3.43	
b	2.54	-	
c	0.38	1.14	
Ød	-	4.592	
Øe	6.35	-	
f	-	0.08	Radius or 45° chamfer
g	0	0.2	
h	0	0.25	
j	-	2.54	
k	0.38	-	
Øl	0.9	0.94	
m	1.27	-	
Øn	-	0.38	
p	3.17	-	
r	7.84	8	Hexagon
s	-	9.2	

1.6.2 Mating Gauge Dimensions

Female Interface



Detailed view of centre contact



Symbols	Dimensions mm		Notes
	Min	Max	
a	3.81	-	
b	1.88	1.98	
c	0	0.08	Contact recess
∅D	5.28	5.49	
∅g	4.6	4.67	
∅h	4.1	4.13	
j	0.13	0.23	2 or more slots
∅k	1.27	1.29	
∅m	0.72	0.84	After closing
n	0.38	1.14	
p	0	0.05	Insert recess
u	2.54	-	
∅t	0.94	0.99	
v	1.91	2.41	
α	-	0.25	45° Chamfer
β	0.99	1.19	45° Chamfer

NOTES:

1. No fillet permitted. Radial undercut 0.2mm maximum deep x 0.89mm maximum long permitted.

1.7

MATERIALS AND FINISHES

Materials and finishes shall be as follows:

- a. Variant 01
 - Shell, Coupling Nut, Centre Contact: Beryllium copper, with copper underplate (2.5µm minimum) and gold plating (2.5µm minimum)
 - Inserts: PTFE
 - Gaskets: Silicone rubber
- b. Variant 02
 - Shell, Coupling Nut, Centre Contact: Beryllium copper, with nickel underplate (2µm minimum) and gold plating (2.5µm minimum)
 - Inserts: PTFE
 - Gaskets: Silicone rubber
- c. Variant 03
 - Shell, Coupling Nut: Amagnetic stainless steel, electro-passivated
 - Centre Contact: Beryllium copper with nickel underplate (2µm minimum) and gold plating (2.5µm minimum)
 - Inserts: PTFE

- Gaskets: Silicone rubber

2. REQUIREMENTS

2.1 GENERAL

The complete requirements for procurement of the components specified herein are as stated in this specification and the ESCC Generic Specification. Permitted deviations from the Generic Specification, applicable to this specification only, are listed below.

Permitted deviations from the Generic Specification and this Detail Specification, formally agreed with specific Manufacturers on the basis that the alternative requirements are equivalent to the ESCC requirement and do not affect the component's reliability, are listed in the appendices attached to this specification.

2.1.1 Deviations from the Generic Specification

2.1.1.1 *Deviations from Qualification and Periodic Tests - Chart F4*

- (a) Residual Magnetism: is not applicable to variants 02, 03.

2.2 MARKING

The marking shall be in accordance with the requirements of ESCC Basic Specification No. 21700 and as follows.

The information to be marked on the component shall be:

- (a) The ESCC qualified components symbol (for ESCC qualified components only).
- (b) The ESCC Component Number.
- (c) Traceability information.

2.3 COUPLING PROOF TORQUE TEST

Ref. Coupling Proof Torque in the ESCC Generic Specification.
Coupling Proof Torque: 170N.cm.

2.4 MATING AND UNMATING FORCES TEST

Ref. Mating and Unmating Forces in the ESCC Generic Specification.
Maximum torque during mating or unmating: 24N.cm.

2.5 ELECTRICAL MEASUREMENTS AT ROOM, HIGH AND LOW TEMPERATURES

The measurements shall be performed at room, high and low temperatures.

2.5.1 Room Temperature Electrical Measurements

The measurements shall be performed at $T_{amb}=+22 \pm 3^{\circ}\text{C}$.

Characteristics	Symbols	Test Method and Conditions	Limits		Units
			Min	Max	
Voltage Standing Wave Ratio	VSWR	ESCC No. 3403 f = 0 to 18GHz	-	Note 1	-
Resistance	R	DC test	47.5	52.5	Ω

NOTES:

1. The limits for VSWR are as specified in Component Type Variants and Range of Components.

2.5.2 High and Low Temperatures Electrical Measurements

The measurements shall be performed at $T_{amb}=+125 (+0 -3)^{\circ}C$ and $T_{amb}=-55 (+3 -0)^{\circ}C$.

Characteristics	Symbols	Test Method and Conditions (Note 1)	Limits		Units
			Min	Max	
Temperature Coefficient of Resistance	TC_R	DC test. Reference Temperature: $+25^{\circ}C$	-	3×10^{-4}	$\Omega/\Omega/^{\circ}C$

NOTES:

1. Measurements shall be performed during Screening Tests on a sample of 2 components. In the event of any failure a 100% inspection shall be performed.

2.6 PARAMETER DRIFT VALUES

Unless otherwise specified, the measurements shall be performed at $T_{amb}=+22 \pm 3^{\circ}C$.

The test methods and test conditions shall be as per the corresponding test defined in Room Temperature Electrical Measurements.

The drift values (Δ) shall not be exceeded for each characteristic where specified. The corresponding absolute limit values for each characteristic shall not be exceeded.

Characteristics	Symbols	Drift Value Δ	Units
Voltage Standing Wave Ratio	$\frac{\Delta VSWR}{VSWR}$	± 2	%
Resistance	ΔR	± 250	mΩ

2.7 INTERMEDIATE AND END-POINT ELECTRICAL MEASUREMENTS

Unless otherwise specified, the measurements shall be performed at $T_{amb}=+22 \pm 3^{\circ}C$.

Unless otherwise specified, test methods and test conditions shall be as per the corresponding test defined in Room Temperature Electrical Measurements.

The drift values (Δ) shall not be exceeded for each characteristic where specified. The corresponding absolute limit values for each characteristic shall not be exceeded.

Test Reference per ESCC No. 3403	Characteristics	Symbols	Limits		Units
			Min	Max	
Vibration Initial Measurements	Resistance	R	47.5	52.5	Ω
	Voltage Standing Wave Ratio	VSWR	Note 1	Note 1	-
	Measurements during last cycle	-	No discontinuity > 0.5ms No open or short circuit		-
	Final Measurements	Resistance	R	47.5	52.5
Mechanical Shock Initial Measurements	Resistance Drift (from initial measurement)	ΔR	-	±250	mΩ
	Voltage Standing Wave Ratio	VSWR	Note 1	Note 1	-
	VSWR Drift (from Initial measurement)	$\frac{\Delta VSWR}{VSWR}$	-	±2	%
	Final Measurements	Resistance	R	47.5	52.5
Rapid Change of Temperature Initial Measurements	Resistance Drift (from initial measurement)	ΔR	-	±250	mΩ
	Voltage Standing Wave Ratio	VSWR	Note 1	Note 1	-
	VSWR Drift (from Initial measurement)	$\frac{\Delta VSWR}{VSWR}$	-	±2	%
	Final Measurements	Resistance	R	47.5	52.5
Climatic Sequence Initial Measurements	Resistance Drift (from initial measurement)	ΔR	-	±250	mΩ
	Voltage Standing Wave Ratio	VSWR	Note 1	Note 1	-
	VSWR Drift (from Initial measurement)	$\frac{\Delta VSWR}{VSWR}$	-	±2	%
	Measurements during Dry Heat	Temperature Coefficient of Resistance	TC _R	-	3 x 10 ⁻⁴
Measurements during Cold	Temperature Coefficient of Resistance	TC _R	-	3 x 10 ⁻⁴	Ω/Ω/°C

Test Reference per ESCC No. 3403	Characteristics	Symbols	Limits		Units
			Min	Max	
Final Measurements	Resistance	R	47.5	52.5	Ω
	Resistance Drift (from initial measurement)	ΔR	-	±250	mΩ
	Voltage Standing Wave Ratio	VSWR	Note 1	Note 1	-
	VSWR Drift (from Initial measurement)	$\frac{\Delta VSWR}{VSWR}$	-	±2	%
Operating Life Initial Measurements	Resistance (Note 2)	R	47.5	52.5	Ω
	Voltage Standing Wave Ratio (Note 2)	VSWR	Note 1	Note 1	-
Final Measurements	Resistance	R	47.5	52.5	Ω
	Resistance Drift (from initial measurement)	ΔR	-	±250	mΩ
	Voltage Standing Wave Ratio	VSWR	Note 1	Note 1	-
	VSWR Drift (from Initial measurement)	$\frac{\Delta VSWR}{VSWR}$	-	±2	%
RF Leakage	RF leakage f = 0 to 18GHz	E	-[80 - f(GHz)]	-	dBi
Peak Power					
Final Measurements	Resistance	R	47.5	52.5	Ω
	Voltage Standing Wave Ratio	VSWR	Note 1	Note 1	-

NOTES:

1. The limits for VSWR are as specified in Component Type Variants and Range of Components.
2. This test need not be repeated. The most recent result from the previous test may be used instead.

2.8 BURN-IN CONDITIONS

Characteristics	Symbols	Test Conditions	Units
Ambient Temperature	T _{amb}	+125	°C
Power	P _{in}	0	W

2.9 OPERATING LIFE CONDITIONS

Characteristics	Symbols	Test Conditions	Units
Ambient Temperature	T_{amb}	+25	$^{\circ}\text{C}$
Power	P_{in}	Note 1	W
Frequency	f_{in}	10	GHz

NOTES:

1. Rated RF Power as specified in Maximum Ratings.