



**CONNECTORS, ELECTRICAL, CIRCULAR,
BAYONET COUPLING, SCOOP-PROOF,
REMOVABLE CRIMP CONTACTS**

BASED ON MIL-C-38999 SERIES I

ESCC Detail Specification No. 3401/052

| | |
|---------|-----------|
| Issue 3 | June 2013 |
|---------|-----------|



LEGAL DISCLAIMER AND COPYRIGHT

European Space Agency, Copyright © 2013, All rights reserved.

The European Space Agency disclaims any liability or responsibility, to any person or entity, with respect to any loss or damage caused, or alleged to be caused, directly or indirectly by the use and application of this ESCC publication.

This publication, without prior permission of the European Space Agency and provided it is not used for a commercial purpose, may be:

- copied in whole, in any medium, without alteration or modification.
- copied in part, in any medium, provided that the ESCC document identification, comprising the ESCC symbol, document number and document issue, is removed.

DOCUMENTATION CHANGE NOTICE

(Refer to <https://escies.org> for ESCC DCR content)

| DCR No. | CHANGE DESCRIPTION |
|---------|---|
| 795 | Specification updated to incorporate editorial changes per DCR. |

TABLE OF CONTENTS

| | | |
|--------|---|----|
| 1 | GENERAL | 6 |
| 1.1 | SCOPE | 6 |
| 1.2 | RANGE OF COMPONENTS | 6 |
| 1.3 | MAXIMUM RATINGS | 6 |
| 1.4 | PARAMETER DERATING INFORMATION | 6 |
| 1.5 | PHYSICAL DIMENSIONS | 6 |
| 2 | APPLICABLE DOCUMENTS | 6 |
| 3 | TERMS, DEFINITIONS, ABBREVIATIONS, SYMBOLS AND UNITS | 15 |
| 4 | REQUIREMENTS | 16 |
| 4.1 | GENERAL | 16 |
| 4.2 | DEVIATIONS FROM GENERIC SPECIFICATION | 16 |
| 4.2.1 | Deviations from Special In-process Controls | 16 |
| 4.2.2 | Deviations from Final Production Tests (Chart II) | 16 |
| 4.2.3 | Deviations from Burn-in and Electrical Measurements (Chart III) | 16 |
| 4.2.4 | Deviations from Qualification Tests (Chart IV) | 16 |
| 4.2.5 | Deviations from Lot Acceptance Tests (Chart V) | 16 |
| 4.3 | MECHANICAL REQUIREMENTS | 16 |
| 4.3.1 | Dimension Check | 16 |
| 4.3.2 | Weight | 17 |
| 4.3.3 | Contact Capability | 17 |
| 4.3.4 | Contact Retention (In Insert) | 17 |
| 4.3.5 | Mating and Unmating Forces | 17 |
| 4.3.6 | Insert Retention (In Shell) | 17 |
| 4.3.7 | Jackscrew Retention | 17 |
| 4.3.8 | Contact Insertion and Withdrawal Forces | 17 |
| 4.3.9 | Engagement and Separation Forces | 17 |
| 4.3.10 | Oversize Pin Exclusion | 17 |
| 4.3.11 | Probe Damage | 17 |
| 4.3.12 | Solderability | 17 |
| 4.4 | MATERIALS AND FINISHES | 17 |
| 4.4.1 | Shell, Coupling Ring and Nuts | 17 |
| 4.4.2 | Inserts | 17 |
| 4.4.3 | Contacts | 17 |
| 4.4.4 | Contact Retaining Clip | 18 |
| 4.4.5 | Guiding and Locking Devices | 18 |

| | | |
|-------|--|----|
| 4.4.6 | Magnetism Level | 18 |
| 4.5 | MARKING | 18 |
| 4.5.1 | General | 18 |
| 4.5.2 | Contact Identification | 18 |
| 4.5.3 | The ESCC Component Number | 18 |
| 4.5.4 | Characteristics | 19 |
| 4.5.5 | Traceability Information | 21 |
| 4.5.6 | Marking of Small Components | 21 |
| 4.6 | ELECTRICAL MEASUREMENTS | 21 |
| 4.6.1 | Electrical Measurements at Room Temperature | 21 |
| 4.6.2 | Electrical Measurements at High and Low Temperatures (Table 3) | 21 |
| 4.6.3 | Circuit for Electrical Measurements (Figure 4) | 21 |
| 4.7 | BURN-IN AND ELECTRICAL MEASUREMENTS (TABLES 4 AND 5) | 21 |
| 4.8 | ENVIRONMENTAL AND ENDURANCE TESTS (CHARTS IV AND V OF ESCC GENERIC SPECIFICATION NO. 3401) | 22 |
| 4.8.1 | Measurements and Inspections on Completion of Environmental Tests | 22 |
| 4.8.2 | Measurements and Inspections at Intermediate Points during Endurance Tests | 22 |
| 4.8.3 | Measurements and Inspections on Completion of Endurance Tests | 22 |
| 4.8.4 | Conditions for Operating Life Test (Part of Endurance Testing) | 22 |
| 4.8.5 | Electrical Circuits for Operating Life Test | 22 |
| 4.8.6 | Conditions for High Temperature Storage Test (Part of Endurance Testing) | 22 |

1 **GENERAL**

1.1 **SCOPE**

This specification details the ratings, physical and electrical characteristics, test and inspection data for Connectors, Electrical, Circular, Bayonet Coupling, Scoop-proof, Removable Crimp Contacts, Based on MIL-C-38999 Series I. It shall be read in conjunction with:

- ESCC Generic Specification No. 3401, Connectors, Electrical, Non-Filtered, Circular and Rectangular
- ESCC Detail Specification No. 3401/058, Contacts, Electrical, Crimp, for 3401/052 and /056 Connectors
- ESCC Detail Specification No. 3401/062, Accessories for Circular Connectors 3401/044, 3401/052 and 3401/056

the requirements of which are supplemented herein.

1.2 **RANGE OF COMPONENTS**

The different sizes of connectors specified herein, which are also covered by this specification, together with their mechanical characteristics, are given in Table 1(a).

1.3 **MAXIMUM RATINGS**

The maximum ratings, which shall not be exceeded at any time during use or storage, applicable to the connectors specified herein, are scheduled in Table 1(b).

1.4 **PARAMETER DERATING INFORMATION**

The applicable derating information for the connectors specified herein is shown in Figure 1.

1.5 **PHYSICAL DIMENSIONS**

The physical dimensions of the connectors specified herein are shown in Figure 2.

2 **APPLICABLE DOCUMENTS**

The following documents form part of this specification and shall be read in conjunction with it:

- (a) ESCC Generic Specification No. 3401, Connectors, Electrical, Non-Filtered, Circular and Rectangular.
- (b) ESCC Detail Specification No. 3401/058, Contacts, Electrical, Crimp, for 3401/052 and /056 Connectors.
- (c) ESCC Detail Specification No. 3401/062, Accessories for Circular Connectors 3401/044, 3401/052 and 3401/056.
- (d) MIL-STD-1560, Insert Arrangements for MIL-C-38999 and MIL-C-27599 Electrical Circular Connectors.
- (e) MIL-STD-1344, Test Methods for Electrical Connectors.

TABLE 1(A) – RANGE OF COMPONENTS

| Shell Style | Shell Size | Max. Weight (g) (1) | | Mating Torque Max. (Nm) | Unmating Torque | | Tightening Torque for Mounting Nut Shell 07 Max. (Nm) |
|-------------|------------|---------------------|----|-------------------------|-----------------|-----------|---|
| | | Shell Type | | | Max. (Nm) | Min. (Nm) | |
| | | 00, 03 | 07 | | | | |
| Receptacle | 09 | 11 | 15 | - | - | - | 6 |
| Receptacle | 11 | 17 | 20 | - | - | - | 8 |
| Receptacle | 13 | 22 | 26 | - | - | - | 10 |
| Receptacle | 15 | 25 | 34 | - | - | - | 13 |
| Receptacle | 17 | 38 | 44 | - | - | - | 16 |
| Receptacle | 19 | 40 | 49 | - | - | - | 18 |
| Receptacle | 21 | 52 | 60 | - | - | - | 20 |
| Receptacle | 23 | 54 | 63 | - | - | - | 22 |
| Receptacle | 25 | 58 | 75 | - | - | - | 24 |
| | | Shell Type 06 | | | | | |
| Plug | 09 | 17 | | 0.9 | 0.9 | 0.2 | - |
| Plug | 11 | 23 | | 1.4 | 1.4 | 0.2 | - |
| Plug | 13 | 28 | | 1.8 | 1.8 | 0.2 | - |
| Plug | 15 | 34 | | 2.3 | 2.3 | 0.3 | - |
| Plug | 17 | 44 | | 2.7 | 2.7 | 0.3 | - |
| Plug | 19 | 49 | | 3.2 | 3.2 | 0.3 | - |
| Plug | 21 | 60 | | 3.6 | 3.6 | 0.6 | - |
| Plug | 23 | 63 | | 4.1 | 4.1 | 0.6 | - |
| Plug | 25 | 70 | | 4.6 | 4.6 | 0.6 | - |

NOTES:

- Without contacts. See ESCC Detail Specification No. 3401/058 for contact weights.

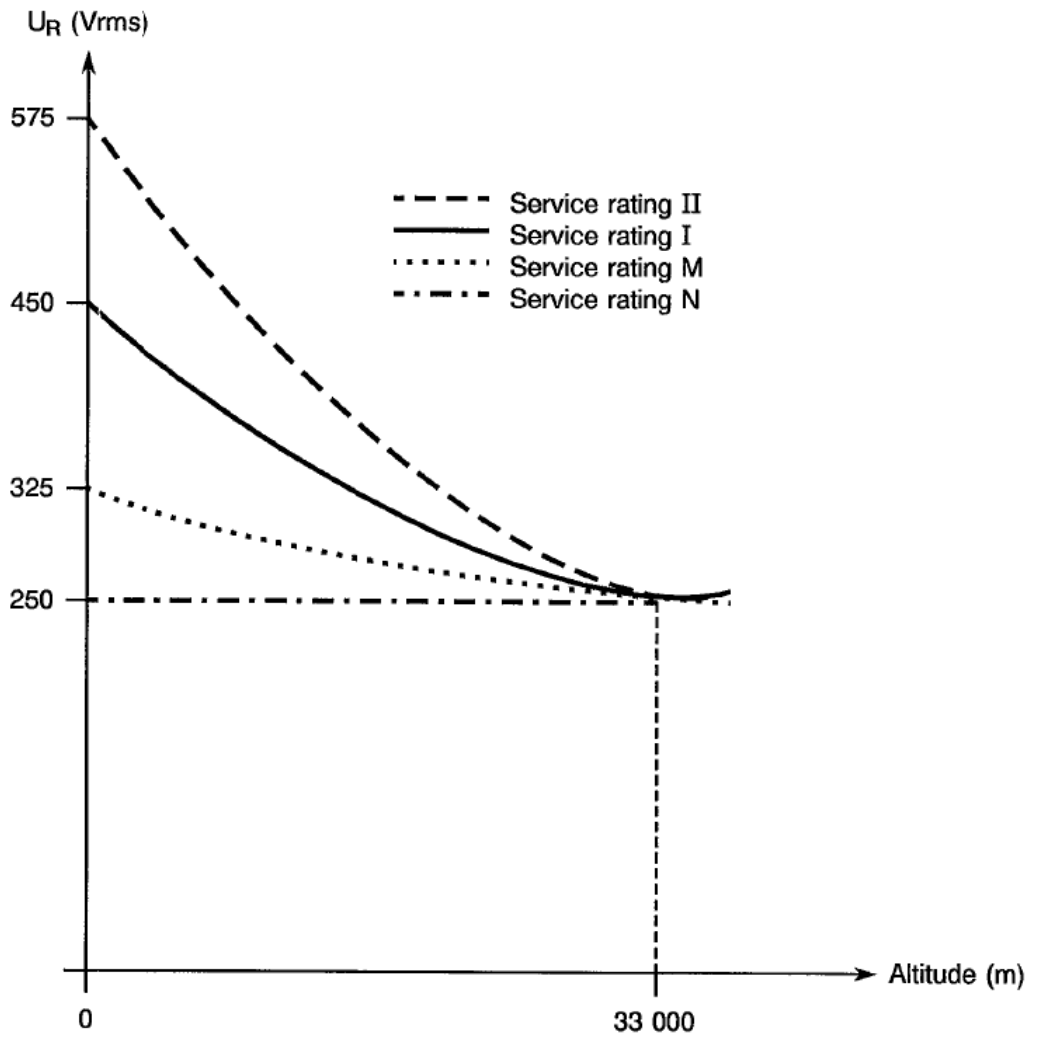
TABLE 1(b) – MAXIMUM RATINGS

| No. | Characteristics | Symbol | Maximum Rating | Unit |
|-----|--|-----------|--------------------------|------|
| 1 | Working Voltage (Sea Level) (1) Service rating N Service rating M Service rating I Service rating II | U_R | 250 325 450 575 | Vrms |
| 2 | Operating Temperature Range | T_{op} | -65 to +200 | °C |
| 3 | Storage Temperature Range | T_{stg} | -65 to +200 | °C |
| 4 | Tightening Torque for Mounting Nut Shell 07 | T_q | See Table 1(a) | - |

NOTES:

- See Para. 4.5.4.3.

FIGURE 1 – PARAMETER DERATING INFORMATION

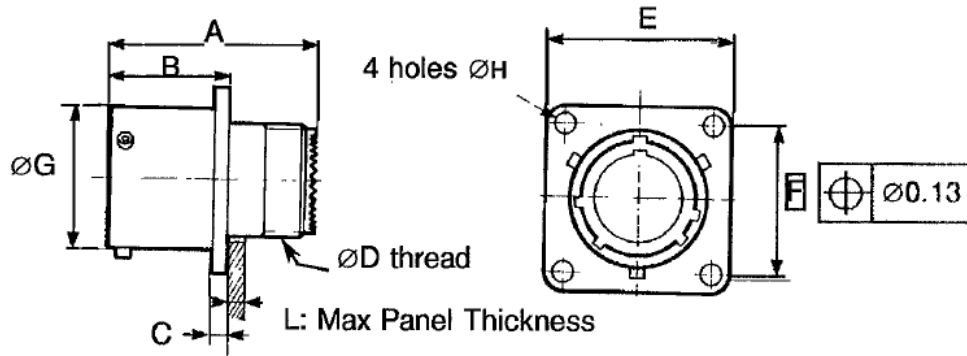


Working Voltage versus Altitude

FIGURE 2 – PHYSICAL DIMENSIONS

FIGURE 2(a) – RECEPTACLES AND PLUGS

SHELL TYPE 00: SQUARE FLANGE RECEPTACLE

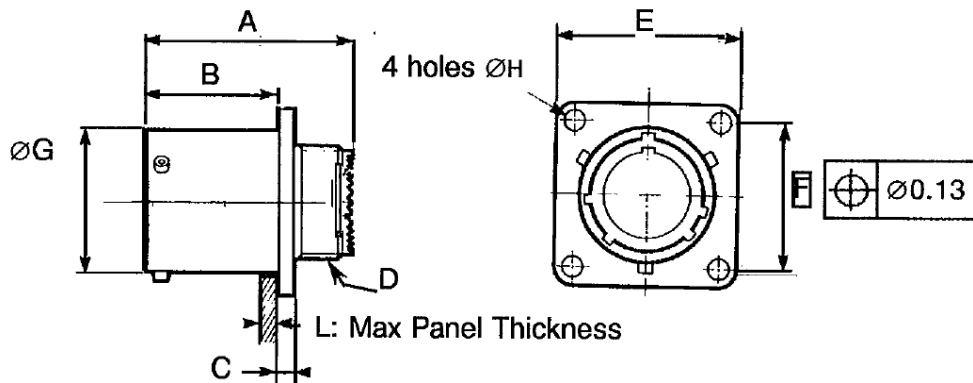


| Shell Size | 09 | | 11 | | 13 | | 15 | | 17 | | 19 | | 21 | | 23 | | 25 | |
|------------|----------|-------|----------|-------|----------|-------|----------|-------|----------|-------|-----------|-------|-----------|-------|-----------|-------|-----------|-------|
| | Min | Max | Min | Max | Min | Max | Min | Max | Min | Max | Min | Max | Min | Max | Min | Max | Min | Max |
| A | - | 32.02 | - | 32.02 | - | 32.02 | - | 32.02 | - | 32.02 | - | 32.02 | - | 32.02 | - | 32.02 | - | 32.02 |
| B | - | 18.53 | - | 18.53 | - | 18.53 | - | 18.53 | - | 18.53 | - | 18.53 | - | 18.53 | - | 18.53 | - | 18.53 |
| C | - | 2.5 | - | 2.5 | - | 2.5 | - | 2.5 | - | 2.5 | - | 2.5 | - | 3.2 | - | 3.2 | - | 3.2 |
| ØD UNEF-2A | .4375-28 | | .5625-24 | | .6875-24 | | .8125-20 | | .9375-20 | | 1.0625-18 | | 1.1875-18 | | 1.3125-18 | | 1.4375-18 | |
| E | 23.95 | 24.55 | 26.3 | 26.9 | 28.7 | 29.3 | 31.05 | 31.65 | 33.45 | 34.05 | 36.6 | 37.2 | 39.8 | 40.4 | 42.95 | 43.55 | 46.2 | 46.7 |
| F typical | 18.26 | | 20.62 | | 23.01 | | 24.61 | | 26.97 | | 29.36 | | 31.75 | | 34.93 | | 38.1 | |
| ØG | 14.41 | 14.53 | 17.66 | 17.78 | 21.47 | 21.59 | 24.65 | 24.77 | 27.82 | 27.94 | 30.54 | 30.66 | 33.71 | 33.83 | 36.88 | 37 | 40.06 | 40.18 |
| ØH | 3.15 | 3.45 | 3.15 | 3.45 | 3.15 | 3.45 | 3.15 | 3.45 | 3.15 | 3.45 | 3.15 | 3.45 | 3.15 | 3.45 | 3.63 | 3.93 | 3.63 | 3.93 |
| L | - | 2.5 | - | 2.5 | - | 2.5 | - | 2.5 | - | 2.5 | - | 2.5 | - | 2.5 | - | 2.5 | - | 2.5 |

NOTES:

1. All dimensions are in millimetres, except thread ØD in inches.

SHELL TYPE 03: SQUARE FLANGE RECEPTACLE BACK MOUNTING

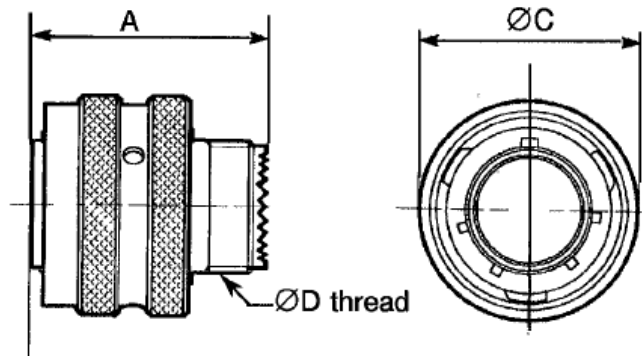


| Shell Size | 09 | | 11 | | 13 | | 15 | | 17 | | 19 | | 21 | | 23 | | 25 | |
|------------|----------|-------|----------|-------|----------|-------|----------|-------|----------|-------|-----------|-------|-----------|-------|-----------|-------|-----------|-------|
| | Min | Max | Min | Max | Min | Max | Min | Max | Min | Max | Min | Max | Min | Max | Min | Max | Min | Max |
| A | - | 31.33 | - | 31.33 | - | 31.33 | - | 31.33 | - | 31.33 | - | 31.33 | - | 31.33 | - | 31.33 | - | 31.33 |
| B | - | 20.83 | - | 20.83 | - | 20.83 | - | 20.83 | - | 20.83 | - | 20.83 | - | 20.08 | - | 20.08 | - | 20.08 |
| C | - | 2.5 | - | 2.5 | - | 2.5 | - | 2.5 | - | 2.5 | - | 2.5 | - | 3.2 | - | 3.2 | - | 3.2 |
| ØD UNEF-2A | .4375-28 | | .5625-24 | | .6875-24 | | .8125-20 | | .9375-20 | | 1.0625-18 | | 1.1875-18 | | 1.3125-18 | | 1.4375-18 | |
| E | 23.95 | 24.55 | 26.3 | 26.9 | 28.7 | 29.3 | 31.05 | 31.65 | 33.45 | 34.05 | 36.6 | 37.2 | 39.8 | 40.4 | 42.95 | 43.55 | 46.2 | 46.7 |
| F typical | 18.26 | | 20.62 | | 23.01 | | 24.61 | | 26.97 | | 29.36 | | 31.75 | | 34.93 | | 38.1 | |
| ØG | 14.41 | 14.53 | 17.66 | 17.78 | 21.47 | 21.59 | 24.65 | 24.77 | 27.82 | 27.94 | 30.54 | 30.66 | 33.71 | 33.83 | 36.88 | 37 | 40.06 | 40.18 |
| ØH | 3.15 | 3.45 | 3.15 | 3.45 | 3.15 | 3.45 | 3.15 | 3.45 | 3.15 | 3.45 | 3.15 | 3.45 | 3.15 | 3.45 | 3.63 | 3.93 | 3.63 | 3.93 |
| L | - | 2.5 | - | 2.5 | - | 2.5 | - | 2.5 | - | 2.5 | - | 2.5 | - | 2.5 | - | 2.5 | - | 2.5 |

NOTES:

1. All dimensions are in millimetres, except thread ØD in inches.

SHELL TYPE 06: PLUG

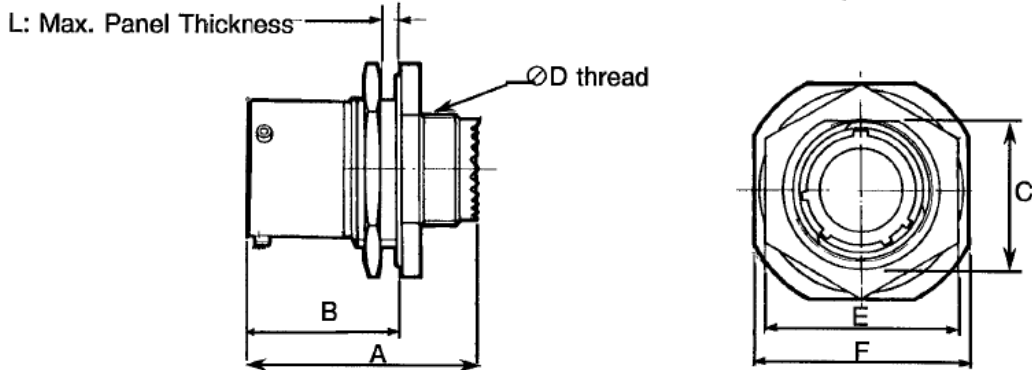


| Shell Size | 09 Max | 11 Max | 13 Max | 15 Max | 17 Max | 19 Max | 21 Max | 23 Max | 25 Max |
|------------|-----------|-----------|-----------|-----------|-----------|-----------|-----------|-----------|-----------|
| A | 31.32 | 31.32 | 31.32 | 31.32 | 31.32 | 31.32 | 31.32 | 31.32 | 31.32 |
| ØC | 21.8 | 25 | 29.4 | 32.5 | 35.7 | 38.5 | 41.7 | 44.85 | 48 |
| ØD UNEF-2A | .4375-28 | .5625-24 | .6875-24 | .8125-20 | .9375-20 | 1.0625-18 | 1.1875-18 | 1.3125-18 | 1.4375-18 |

NOTES:

1. All dimensions are in millimetres, except thread ØD in inches.

SHELL TYPE 07: SINGLE HOLE MOUNTING RECEPTACLE

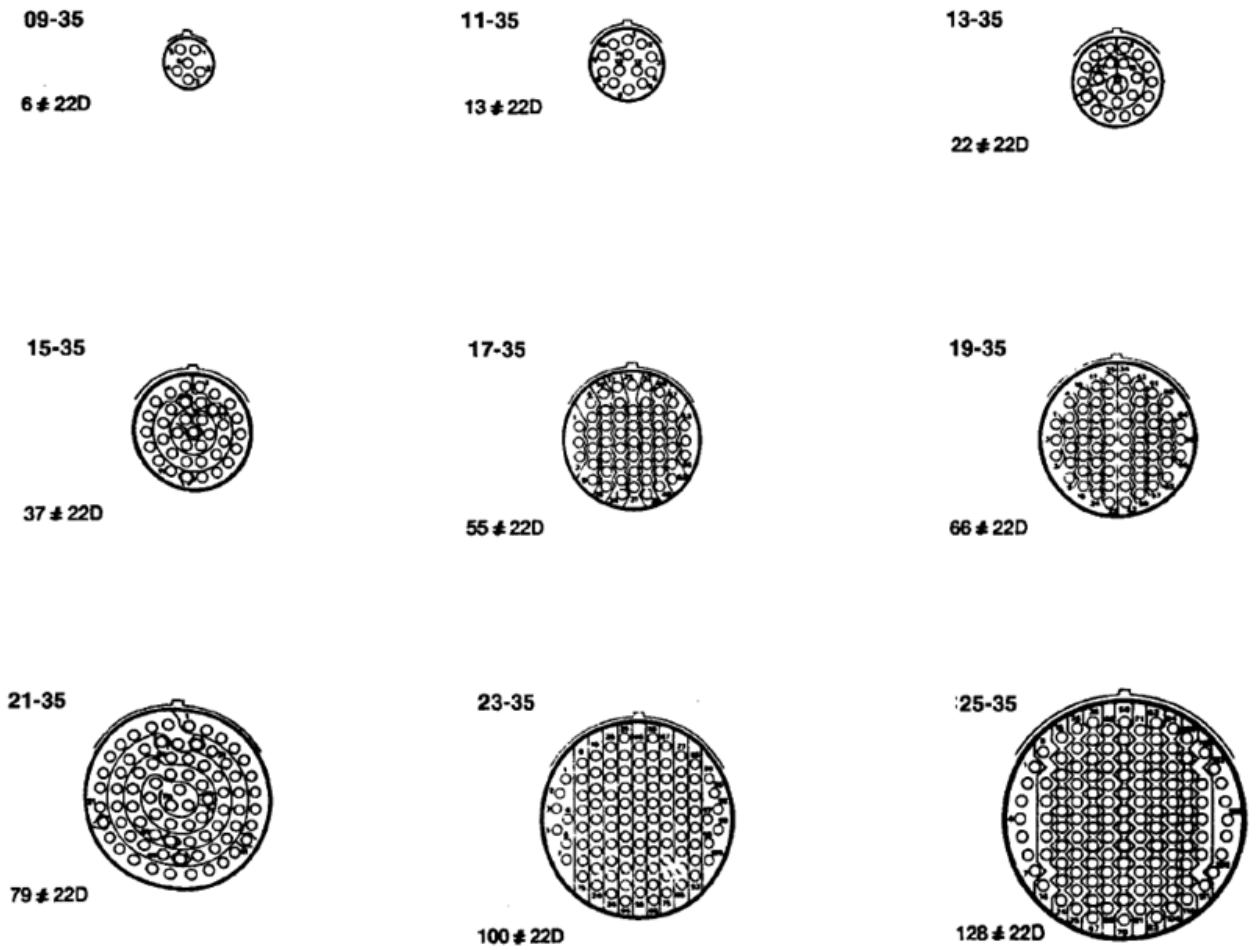


| Shell Size | 09 | | 11 | | 13 | | 15 | | 17 | | 19 | | 21 | | 23 | | 25 | |
|------------|----------|-------|----------|-------|----------|-------|----------|-------|----------|-------|-----------|-------|-----------|-------|-----------|-------|-----------|-------|
| | Min | Max | Min | Max | Min | Max | Min | Max | Min | Max | Min | Max | Min | Max | Min | Max | Min | Max |
| A | - | 31.68 | - | 31.68 | - | 31.68 | - | 31.68 | - | 31.68 | - | 31.68 | - | 31.68 | - | 31.68 | - | 31.68 |
| B | - | 23.36 | - | 23.36 | - | 23.36 | - | 23.36 | - | 23.36 | - | 23.36 | - | 23.36 | - | 23.36 | - | 23.36 |
| C | 16.43 | 16.63 | 18.97 | 19.17 | 23.72 | 23.92 | 26.87 | 27.07 | 30.05 | 30.25 | 33.22 | 33.42 | 36.4 | 36.6 | 39.57 | 39.77 | 42.75 | 42.95 |
| ØD UNEF-2A | .4375-28 | | .5625-24 | | .6875-24 | | .8125-20 | | .9375-20 | | 1.0625-18 | | 1.1875-18 | | 1.3125-18 | | 1.4375-18 | |
| E | 22.25 | 22.45 | 25.45 | 25.65 | 30.2 | 30.4 | 33.35 | 33.55 | 36.55 | 36.75 | 39.7 | 39.9 | 42.9 | 43.1 | 46.05 | 46.25 | 50.85 | 51.05 |
| F | 26.95 | 27.75 | 31.7 | 32.5 | 34.91 | 35.71 | 38.09 | 38.89 | 41.23 | 42.03 | 45.97 | 46.77 | 49.18 | 49.98 | 52.36 | 53.16 | 55.53 | 56.33 |
| L | - | 3.2 | - | 3.2 | - | 3.2 | - | 3.2 | - | 3.2 | - | 3.2 | - | 3.2 | - | 3.2 | - | 3.2 |

NOTES:

1. All dimensions are in millimetres, except thread ØD in inches.

FIGURE 2(b) – HIGH DENSITY CONTACT ARRANGEMENTS – FRONT VIEW MALE INSERT



NOTES:

1. Contact locations and identifications are in conformity with MIL-STD-1560.
2. Both sides of the inserts shall be marked.

FIGURE 2(b) – STANDARD CONTACT ARRANGEMENTS – FRONT VIEW MALE INSERT

09-98



3 # 20

11-98



6 # 20

13-98



10 # 20

15-19



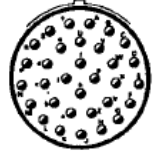
19 # 20

17-26



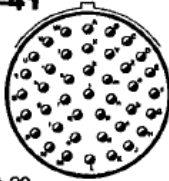
26 # 20

19-32



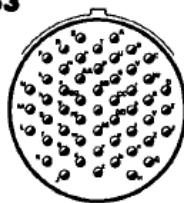
32 # 20

21-41



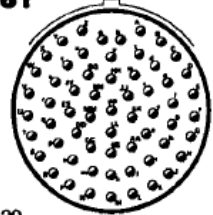
41 # 20

23-53



53 # 20

25-61

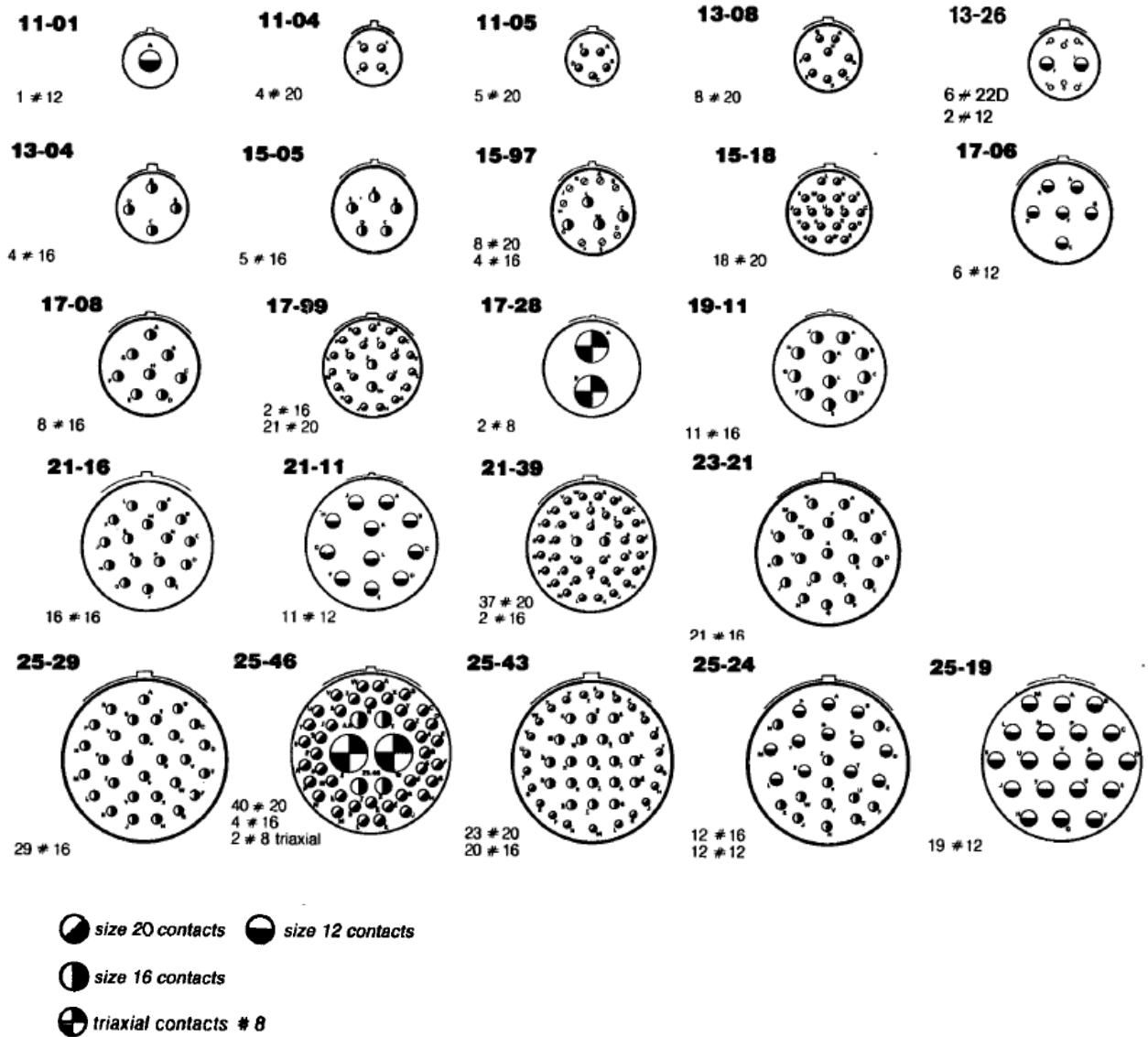


61 # 20

NOTES:

1. Contact locations and identifications are in conformity with MIL-STD-1560.
2. Both sides of the inserts shall be marked.

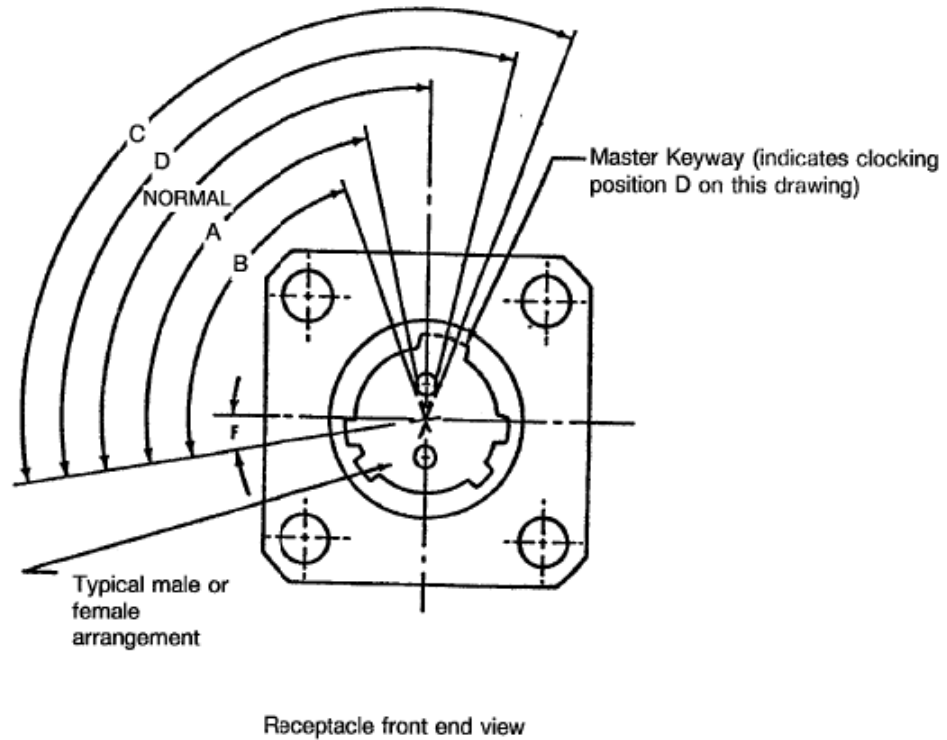
FIGURE 2(b) – SPECIAL CONTACT ARRANGEMENTS – FRONT VIEW MALE INSERT



NOTES:

1. Contact locations and identifications are in conformity with MIL-STD-1560.
2. Both sides of the inserts shall be marked.

FIGURE 2(c) – CLOCKING POSITIONS



NOTES:

1. The clocking position is determined by the master keyway position, the insert being always in the same position. The secondary keyway positions remain fixed.

| Shell Size | F (Ref.) | Normal Position | Clocking Positions (°) | | | |
|------------|----------|-----------------|------------------------|----|-----|-----|
| | | | A | B | C | D |
| 09 | 5° | 95° | 77 | - | - | 113 |
| 11 | 5° | 95° | 81 | 67 | 123 | 109 |
| 13 | 5° | 95° | 75 | 63 | 127 | 115 |
| 15 | 5° | 95° | 74 | 61 | 129 | 116 |
| 17 | 5° | 95° | 77 | 65 | 125 | 113 |
| 19 | 5° | 95° | 77 | 65 | 125 | 113 |
| 21 | 5° | 95° | 77 | 65 | 125 | 113 |
| 23 | 5° | 95° | 80 | 69 | 121 | 110 |
| 25 | 5° | 95° | 80 | 69 | 121 | 110 |

3 TERMS, DEFINITIONS, ABBREVIATIONS, SYMBOLS AND UNITS

For the purpose of this specification, the terms, definitions, abbreviations, symbols and units specified in ESCC Basic Specification No. 21300 shall apply.

4 REQUIREMENTS

4.1 GENERAL

The complete requirements for procurement of the connectors specified herein are stated in this specification and ESCC Generic Specification No. 3401. Deviations from the Generic Specification, applicable to this specification only, are listed in Para. 4.2.

Deviations from the applicable Generic Specification and this Detail Specification, formally agreed with specific Manufacturers on the basis that the alternative requirements are equivalent to the ESCC requirements and do not affect the components' reliability, are listed in the appendices attached to this specification.

4.2 DEVIATIONS FROM GENERIC SPECIFICATION

4.2.1 Deviations from Special In-process Controls

None.

4.2.2 Deviations from Final Production Tests (Chart II)

- (a) Para. 9.5, Magnetism Level: Not applicable. Instead, a magnetic permeability test shall be performed in accordance with Method 3006 of MIL-STD-1344. The magnetic permeability of assembled connectors (with contacts and accessories as applicable) shall not exceed $2 \times \mu_0$.
The test shall be performed on 1 sample per shell size.

4.2.3 Deviations from Burn-in and Electrical Measurements (Chart III)

Chart III is not applicable.

4.2.4 Deviations from Qualification Tests (Chart IV)

- (a) Para. 9.11.2, Sinusoidal Vibration Testing:
- 10-55Hz at 8.25mm double amplitude displacement.
 - 56-2000Hz at 50g.
 - 1 cycle (10-2000-10 Hz) per axis at a sweep rate of 1 octave per minute.
- (b) Para. 9.11.3, Random Vibration Testing:
- 20-100Hz at + 6dB per octave.
 - 100-2000Hz, constant at $1g^2/Hz$.
 - 3 axes.
 - 7 minutes per axis.
- (c) Para. 9.12.1, Shock: 75g, 11 milliseconds, half sine wave.
- (d) Para. 9.24, Jackscrew Retention: Not applicable.
- (e) Para. 9.31, Solderability: Not applicable.

4.2.5 Deviations from Lot Acceptance Tests (Chart V)

- (a) Para. 9.31, Solderability: Not applicable.

4.3 MECHANICAL REQUIREMENTS

4.3.1 Dimension Check

The dimensions of the connectors specified herein shall be verified in accordance with the requirements set out in Para. 9.6 of ESCC Generic Specification No. 3401 and shall conform to those shown in Figure 2 of this specification.

- 4.3.2 Weight
The maximum weight of the connectors specified herein, without contacts, shall be as specified in Table 1(a).
- 4.3.3 Contact Capability
As specified in ESCC Detail Specification No. 3401/058.
- 4.3.4 Contact Retention (In Insert)
As specified in ESCC Detail Specification No. 3401/058.
- 4.3.5 Mating and Unmating Forces
The forces applied for mating and unmating of the connectors (axial and torque) shall conform to the values specified in Table 1(a).
- 4.3.6 Insert Retention (In Shell)
Connector inserts shall withstand a pressure of 53.7N/cm^2 without being dislodged from the shell.
- 4.3.7 Jackscrew Retention
Not applicable.
- 4.3.8 Contact Insertion and Withdrawal Forces
As specified in ESCC Detail Specification No. 3401/058.
- 4.3.9 Engagement and Separation Forces
As specified in ESCC Detail Specification No. 3401/058.
- 4.3.10 Oversize Pin Exclusion
As specified in ESCC Detail Specification No. 3401/058.
- 4.3.11 Probe Damage
As specified in ESCC Detail Specification No. 3401/058.
- 4.3.12 Solderability
Not applicable.
- 4.4 MATERIALS AND FINISHES
The materials and finishes shall be as specified herein. Where a definite material is not specified, a material which will enable the connectors specified herein to meet the performance requirements of this specification shall be used. Acceptance or approval of any constituent material does not guarantee acceptance of the finished product.
- 4.4.1 Shell, Coupling Ring and Nuts
The shell, coupling ring and nuts shall be made of aluminium alloy, dull low reflective electroless nickel plated.
- 4.4.2 Inserts
Bonded sandwich: Silicone/thermosetting or thermoplastic insert/silicone.
- 4.4.3 Contacts
As specified in ESCC Detail Specification No. 3401/058.

4.4.4 Contact Retaining Clip

The retaining clip shall be made of beryllium copper.

4.4.5 Guiding and Locking Devices

Not applicable.

4.4.6 Magnetism Level

Not applicable.

4.5 MARKING

4.5.1 General

The marking of all components delivered to this specification shall be in accordance with the requirements of ESCC Basic Specification No. 21700 and the following paragraphs. Each component shall be marked in respect of:

- (a) Contact Identification.
- (b) The ESCC Component Number.
- (c) Characteristics.
- (d) Traceability information.

4.5.2 Contact Identification

Contact identification shall be marked in accordance with Figure 2(b).

4.5.3 The ESCC Component Number

The ESCC Component Number shall be constituted and marked as follows:

Example: 340105201B

- Detail Specification Number: 3401052
- Type Variant (Note 1): 01
- Testing Level: B

NOTES:

1. Marking of the Type Variant is mandatory. No further reference to type variants is made in this specification.

4.5.4 Characteristics

The characteristics to be marked in the following order of precedence are:

- (a) Shell Type.
- (b) Grounding.
- (c) Contact arrangement.
- (d) Type of contact.
- (e) Clocking position.
- (f) Contact information.

The information shall be constituted and marked as follows (example): 00 - 19-32 P A - L

- Shell Type: 00
- Grounding: -
- Contact arrangement: 19-32
- Type of contact: P
- Clocking position: A
- Contact information: L

4.5.4.1 *Shell Type*

The shell type shall be indicated by the numbers specified hereafter:

| Code Number | Shell Type |
|-------------|---|
| 00 | Square flange receptacle front mounting |
| 03 | Square flange receptacle back mounting |
| 06 | Plug with RFI grounding spring |
| 07 | Single hole mounting receptacle |

4.5.4.2 *Grounding*

Grounding is only applicable to plugs.

4.5.4.3 Contact Arrangements

The number of contacts shall be as shown in Figure 2(b) and contact arrangements shall be indicated by the codes specified hereafter.

| Code | Service Rating |
|-------|----------------|
| 09-35 | M |
| 09-98 | I |
| 11-35 | M |
| 11-98 | I |
| 11-01 | II |
| 11-05 | I |
| 11-04 | I |
| 13-35 | M |
| 13-98 | I |
| 13-08 | I |
| 13-26 | M |
| 13-04 | II |
| 15-35 | M |
| 15-19 | I |
| 15-05 | II |
| 15-97 | I |
| 15-18 | I |
| 17-35 | M |
| 17-26 | I |
| 17-06 | I |
| 17-28 | I |
| 17-1T | Not Appl. |

| Code | Service Rating |
|-------|----------------|
| 17-08 | II |
| 17-99 | I |
| 19-35 | M |
| 19-32 | I |
| 19-11 | II |
| 21-35 | M |
| 21-41 | I |
| 21-16 | II |
| 21-11 | II |
| 21-39 | I |
| 23-35 | M |
| 23-53 | I |
| 23-21 | II |
| 25-35 | M |
| 25-61 | I |
| 25-19 | I |
| 25-29 | I |
| 25-43 | I |
| 25-24 | I |
| 25-46 | N |
| 25-03 | I |
| 25-07 | I |
| 25-2T | Not Appl. |

4.5.4.4 Type of Contact

The contact type shall be indicated by the following code letters.

| Code Letter | Contact Type |
|-------------|--------------|
| P | Male |
| S | Female |

4.5.4.5 Clocking Position

Clocking positions are as shown in Figure 2(c) and shall be designated by the following code letters: A, B, C and D. Code letter N indicates the standard clocking position.

4.5.4.6 Contact Information

L = connector ordered without contacts (without an L = connector delivered with contacts).

This information shall be marked on the packaging and is not marked on the connector.

Contacts shall be obtained from the same Manufacturer as supplied the connector in which they are to be mounted and this shall be verified before assembly.

4.5.5 Traceability Information

Traceability information shall be marked in accordance with the requirements of ESCC Basic Specification No. 21700.

4.5.6 Marking of Small Components

Where it is considered that a component is too small to accommodate the marking as specified above, as much as space permits shall be marked. The order of precedence shall be as specified in Para. 4.5.1. The marking information in full shall accompany each component in its primary package.

4.6 ELECTRICAL MEASUREMENTS

4.6.1 Electrical Measurements at Room Temperature

The parameters to be measured in respect of electrical characteristics are scheduled in Table 2. Unless otherwise specified, these measurements shall be performed at $T_{amb} = +22 \pm 3 \text{ }^\circ\text{C}$.

4.6.2 Electrical Measurements at High and Low Temperatures (Table 3)

Not applicable.

4.6.3 Circuit for Electrical Measurements (Figure 4)

Not applicable.

4.7 BURN-IN AND ELECTRICAL MEASUREMENTS (TABLES 4 AND 5)

Not applicable.

TABLE 2 – ELECTRICAL MEASUREMENTS AT ROOM TEMPERATURE

| No. | Characteristics | Symbol | Spec. and/or Test Method | Test Condition | Limits | | Unit |
|-----|--|--------|--------------------------------|--|--------|------|------|
| | | | | | Min. | Max. | |
| 1 | Insulation Resistance | Ri | ESCC No. 3401 Para. 9.1.1.1 | Para. 9.1.1.1 | 10000 | - | MΩ |
| 2 | Voltage Proof Leakage Current Service Rating II Service Rating I Service Rating M Service Rating N | I_L | ESCC No. 3401 Para. 9.1.1.2 | 2300Vrms 1800Vrms 1300Vrms 1000Vrms | | 2 | mA |
| 3 | Mated Shell Conductivity (1) (Voltage Drop) | Vd | ESCC No. 3401 Para. 9.1.1.4 | Para. 9.1.1.4 | - | 1 | mV |

NOTES:

1. Applicable to mated connectors with grounding option.

TABLES 3, 4 AND 5

Not applicable.

- 4.8 ENVIRONMENTAL AND ENDURANCE TESTS (CHARTS IV AND V OF ESCC GENERIC SPECIFICATION NO. 3401)
- 4.8.1 Measurements and Inspections on Completion of Environmental Tests
The parameters to be measured and inspections to be performed on completion of environmental testing shall be those specified in Table 6. Unless otherwise specified, these measurements shall be performed at $T_{amb} = +22 \pm 3$ °C.
- 4.8.2 Measurements and Inspections at Intermediate Points during Endurance Tests
Not applicable.
- 4.8.3 Measurements and Inspections on Completion of Endurance Tests
The parameters to be measured and inspections to be performed on completion of endurance tests shall be those specified in Table 6. Unless otherwise specified, these measurements shall be performed at $T_{amb} = +22 \pm 3$ °C.
- 4.8.4 Conditions for Operating Life Test (Part of Endurance Testing)
Not applicable.
- 4.8.5 Electrical Circuits for Operating Life Test
Not applicable.
- 4.8.6 Conditions for High Temperature Storage Test (Part of Endurance Testing)
The requirements for the high temperature storage test are specified in Section 9 of ESCC Generic Specification No. 3401. The conditions for high temperature storage testing shall be the maximum storage temperature specified in Table 1(b) of this specification.

| No. | ESCC Generic No. 3401 | | Measurements and Inspections | | Symbol | Limits | | Unit |
|-----|---------------------------------------|--|--|--|---|---|------|------|
| | Environmental and Endurance Tests (1) | Test Method and Conditions | Identification | Conditions | | Min. | Max. | |
| 10 | Endurance | Para. 9.18 | Initial Measurements Mating/Unmating Forces Low Level Contact Resist. Mated Shell Conductivity Final Measurements Visual Examination Mating/Unmating Forces Low Level Contact Resistance Drift Mated Shell Conductivity Insulation Resistance Voltage Proof Leakage Curr. | - ESCC 3401/058 Table 2 Item 3 - - ESCC 3401/058 Table 2 Item 3 Table 2 Item 1 Table 2 Item 2 | F Rcl Vd - F ΔRcl Vd Ri I _L | Para. 4.3.5 of this spec. Record Values Table 2 Item 3 - - Para. 4.3.5 of this spec. ESCC 3401/058 Table 2 Item 3 Table 2 Item 1 Table 2 Item 2 | | |
| 11 | Permanence of Marking | Para. 9.19 | As applicable | | - | - | - | |
| 12 | Mating/Unmating Forces | Para. 9.20 | Force | | F | Para. 4.3.5 of this spec. | | |
| 13 | High Temperature Storage | Para. 9.21 | Initial Measurements Low Level Contact Resist. Mated Shell Conductivity Final Measurements Visual Examination Mating/Unmating Forces Low Level Contact Resistance Drift Rated Current Contact Resistance Mated Shell Conductivity Insulation Resistance Voltage Proof Leakage Curr. Contact Retention (In Insert) | ESCC 3401/058 Table 2 Item 3 - - ESCC 3401/058 ESCC 3401/058 Table 2 Item 3 Table 2 Item 1 Table 2 Item 2 Para. 4.3.4 of this spec. | Rcl Vd - F ΔRcl Rcr Vd Ri I _L - | Record Values Table 2 Item 3 - - Para. 4.3.5 of this spec. ESCC 3401/058 ESCC 3401/058 Table 2 Item 3 Table 2 Item 1 Table 2 Item 2 ESCC 3401 Para. 9.17 | | |
| 14 | Corrosion | Para. 9.22 | Visual Examination | - | - | - | - | |
| 15 | Insert Retention (In Shell) | Para. 9.23 & Para. 4.3.6 of this spec. | Visual Examination | - | - | Para. 4.3.6 of this spec. | | |
| 16 | Jackscrew Retention | Para. 9.24 & Para. 4.3.7 of this spec. | Visual Examination | - | - | Not applicable | | |
| 17 | High Temperature Measurements | Para. 9.25 | Insulation Resistance | Table 2 Item 1 | Ri | 500 | - | MΩ |

| No. | ESCC Generic No. 3401 | | Measurements and Inspections | | Symbol | Limits | | Unit |
|-----|---------------------------------------|---|--|---|--|--|------|------|
| | Environmental and Endurance Tests (1) | Test Method and Conditions | Identification | Conditions | | Min. | Max. | |
| 18 | Overload Test | Para. 9.26 | Internal Temperature Rated Current Contact Resistance Mated Shell Conductivity Insulation Resistance Voltage Proof Leakage Curr. | ESCC 3401/058 Table 2 Item 3 Table 2 Item 1 Table 2 Item 2 | T Rcr Vd Ri I _L | - +100 ESCC 3401/058 Table 2 Item 3 Table 2 Item 1 Table 2 Item 2 | °C | |
| 19 | Maintenance Aging | Para. 9.27 | Visual Examination Contact Retention Contact Insertion & Withdrawal Forces | - Para. 4.3.4 of this spec. Para. 4.3.8 of this spec. | - | - ESCC 3401 Para. 9.17 Para. 4.3.8 of this spec. | | |
| 20 | Engage/Separation Forces | Para. 9.28 & Para. 4.3.9 of this spec. | Force | | F | Para. 4.3.9 of this spec. | | |
| 21 | Oversize Pin Exclusion | Para. 9.29 & Para. 4.3.10 of this spec. | | | | ESCC 3401 Para. 9.29 | | |
| 22 | Probe Damage | Para. 9.30 & Para. 4.3.11 of this spec. | Contact Separation Force | Para. 4.3.9 of this spec. | F | Para. 4.3.9 of this spec. | | |
| 23 | Solderability | Para. 9.31 & Para. 4.3.12 of this spec. | | | | Para. 4.3.12 of this spec. | | |

NOTES:

1. The tests in this Table refer to either Chart IV or V and shall be used as applicable.