



**DIODES, MICROWAVE, SILICON, PIN, FAST SWITCHING**  
**BASED ON TYPES DH50251 TO DH50256 AND EH50251 TO**  
**EH50256**

**ESCC Detail Specification No. 5513/034**

|         |              |
|---------|--------------|
| Issue 6 | January 2018 |
|---------|--------------|



Document Custodian: European Space Agency – see <https://escies.org>

**LEGAL DISCLAIMER AND COPYRIGHT**

European Space Agency, Copyright © 2018. All rights reserved.

The European Space Agency disclaims any liability or responsibility, to any person or entity, with respect to any loss or damage caused, or alleged to be caused, directly or indirectly by the use and application of this ESCC publication.

This publication, without the prior permission of the European Space Agency and provided that it is not used for a commercial purpose, may be:

- copied in whole, in any medium, without alteration or modification.
- copied in part, in any medium, provided that the ESCC document identification, comprising the ESCC symbol, document number and document issue, is removed.

**DOCUMENTATION CHANGE NOTICE**

(Refer to <https://escies.org> for ESCC DCR content)

| DCR No. | CHANGE DESCRIPTION                                     |
|---------|--|
| 1111    | Specification upissued to incorporate changes per DCR. |

**TABLE OF CONTENTS**

|         |   |    |
|---------|---|----|
| 1       | GENERAL   | 6  |
| 1.1     | SCOPE   | 6  |
| 1.2     | APPLICABLE DOCUMENTS  | 6  |
| 1.3     | TERMS, DEFINITIONS, ABBREVIATIONS, SYMBOLS AND UNITS        | 6  |
| 1.4     | THE ESCC COMPONENT NUMBER AND COMPONENT TYPE VARIANTS       | 6  |
| 1.4.1   | The ESCC Component Number                                   | 6  |
| 1.4.2   | Component Type Variants                                     | 6  |
| 1.5     | MAXIMUM RATINGS   | 8  |
| 1.6     | HANDLING PRECAUTIONS  | 9  |
| 1.7     | PHYSICAL DIMENSIONS AND TERMINAL IDENTIFICATION             | 10 |
| 1.7.1   | Ceramic Pill A (2 Leads) - Variants 01, 08, 15, 22, 29      | 10 |
| 1.7.2   | Ceramic Pill B - Variants 02, 09, 16, 23, 30                | 11 |
| 1.7.3   | Ceramic Pill C (Cathode Lead) - Variants 03, 10, 17, 24, 31 | 12 |
| 1.7.4   | Ceramic Pill D (Anode Lead) - Variants 04, 11, 18, 25, 32   | 13 |
| 1.7.5   | Ceramic Pill E (2 Leads) - Variants 05, 12, 19, 26, 33      | 14 |
| 1.7.6   | Ceramic Pill F (Anode Lead) - Variants 06, 13, 20, 27, 34   | 15 |
| 1.7.7   | Ceramic Pill G - Variants 07, 14, 21, 28, 35, 36            | 16 |
| 1.7.8   | Ceramic Stripline - Variants 37 to 41                       | 17 |
| 1.7.9   | Die – Variants 42 to 47                                     | 18 |
| 1.8     | FUNCTIONAL DIAGRAM  | 18 |
| 1.9     | MATERIALS AND FINISHES                                      | 19 |
| 1.9.1   | Materials and Finishes of Packaged Components               | 19 |
| 1.9.2   | Materials and Finishes of Die Components                    | 19 |
| 2       | REQUIREMENTS  | 19 |
| 2.1     | GENERAL   | 19 |
| 2.1.1   | Deviations from the Generic Specification                   | 19 |
| 2.1.1.1 | Deviations from Qualification and Periodic Tests – Chart F4 | 19 |
| 2.2     | MARKING   | 19 |
| 2.3     | DIE SHEAR   | 19 |
| 2.4     | TERMINAL STRENGTH   | 20 |
| 2.5     | ELECTRICAL MEASUREMENTS AT ROOM, HIGH AND LOW TEMPERATURES  | 20 |
| 2.5.1   | Room Temperature Electrical Measurements                    | 20 |
| 2.5.2   | High and Low Temperatures Electrical Measurements           | 21 |
| 2.6     | PARAMETER DRIFT VALUES                                      | 22 |
| 2.7     | INTERMEDIATE AND END-POINT ELECTRICAL MEASUREMENTS          | 22 |
| 2.8     | BURN-IN 1 CONDITIONS  | 23 |



|              |                           |    |
|--------------|---------------------------|----|
| 2.9          | BURN-IN 2 CONDITIONS      | 23 |
| 2.10         | OPERATING LIFE CONDITIONS | 23 |
| APPENDIX 'A' |                           | 24 |

**1 GENERAL**

**1.1 SCOPE**

This specification details the ratings, physical and electrical characteristics and test and inspection data for the component type variants and/or the range of components specified below. It supplements the requirements of, and shall be read in conjunction with, the ESCC Generic Specification listed under Applicable Documents.

**1.2 APPLICABLE DOCUMENTS**

The following documents form part of this specification and shall be read in conjunction with it:

- (a) ESCC Generic Specification No. [5010](#)
- (b) [MIL-STD-750](#), Test Methods and Procedures for Semiconductor Devices

**1.3 TERMS, DEFINITIONS, ABBREVIATIONS, SYMBOLS AND UNITS**

For the purpose of this specification, the terms, definitions, abbreviations, symbols and units specified in ESCC Basic Specification No. [21300](#) shall apply.

**1.4 THE ESCC COMPONENT NUMBER AND COMPONENT TYPE VARIANTS**

**1.4.1 The ESCC Component Number**

The ESCC Component Number shall be constituted as follows:

Example: 551303401

- Detail Specification Reference: 5513034
- Component Type Variant Number: 01 (as required)

**1.4.2 Component Type Variants**

The component type variants applicable to this specification are as follows:

Packaged Components

| Variant Number | Based On Type | Package Type / Description    | Total Capacitance<br>C <sub>T</sub> (pF)<br>Max | Lead/Terminal Material and Finish (Note 1) |         | Weight Max (g) |
|----------------|---------------|-------------------------------|---|--|---------|----------------|
|                |               |                               |   | Anode                                      | Cathode |                |
| 01             | DH50251       | Ceramic Pill A (2 Leads)      | 0.19  | E2   | E2      | 0.02           |
| 02             | DH50251       | Ceramic Pill B                | 0.19  | D7   | D7      | 0.02           |
| 03             | DH50251       | Ceramic Pill C (Cathode Lead) | 0.19  | D7   | E2      | 0.02           |
| 04             | DH50251       | Ceramic Pill D (Anode Lead)   | 0.19  | E2   | D7      | 0.02           |
| 05             | DH50251       | Ceramic Pill E (2 Leads)      | 0.19  | E2   | E2      | 0.02           |
| 06             | DH50251       | Ceramic Pill F (Anode Lead)   | 0.19  | E2   | D7      | 0.02           |
| 07             | DH50251       | Ceramic Pill G                | 0.26  | D7   | A7      | 0.15           |
| 08             | DH50252       | Ceramic Pill A (2 Leads)      | 0.21  | E2   | E2      | 0.02           |
| 09             | DH50252       | Ceramic Pill B                | 0.21  | D7   | D7      | 0.02           |
| 10             | DH50252       | Ceramic Pill C (Cathode Lead) | 0.21  | D7   | E2      | 0.02           |

| Variant Number | Based On Type | Package Type / Description    | Total Capacitance $C_T$ (pF) Max | Lead/Terminal Material and Finish (Note 1) |         | Weight Max (g) |
|----------------|---------------|-------------------------------|----------------------------------|--|---------|----------------|
|                |               |                               |                                  | Anode                                      | Cathode |                |
| 11             | DH50252       | Ceramic Pill D (Anode Lead)   | 0.21                             | E2   | D7      | 0.02           |
| 12             | DH50252       | Ceramic Pill E (2 Leads)      | 0.21                             | E2   | E2      | 0.02           |
| 13             | DH50252       | Ceramic Pill F (Anode Lead)   | 0.21                             | E2   | D7      | 0.02           |
| 14             | DH50252       | Ceramic Pill G                | 0.28                             | D7   | A7      | 0.15           |
| 15             | DH50253       | Ceramic Pill A (2 Leads)      | 0.25                             | E2   | E2      | 0.02           |
| 16             | DH50253       | Ceramic Pill B                | 0.25                             | D7   | D7      | 0.02           |
| 17             | DH50253       | Ceramic Pill C (Cathode Lead) | 0.25                             | D7   | E2      | 0.02           |
| 18             | DH50253       | Ceramic Pill D (Anode Lead)   | 0.25                             | E2   | D7      | 0.02           |
| 19             | DH50253       | Ceramic Pill E (2 Leads)      | 0.25                             | E2   | E2      | 0.02           |
| 20             | DH50253       | Ceramic Pill F (Anode Lead)   | 0.25                             | E2   | D7      | 0.02           |
| 21             | DH50253       | Ceramic Pill G                | 0.32                             | D7   | A7      | 0.15           |
| 22             | DH50254       | Ceramic Pill A (2 Leads)      | 0.3                              | E2   | E2      | 0.02           |
| 23             | DH50254       | Ceramic Pill B                | 0.3                              | D7   | D7      | 0.02           |
| 24             | DH50254       | Ceramic Pill C (Cathode Lead) | 0.3                              | D7   | E2      | 0.02           |
| 25             | DH50254       | Ceramic Pill D (Anode Lead)   | 0.3                              | E2   | D7      | 0.02           |
| 26             | DH50254       | Ceramic Pill E (2 Leads)      | 0.3                              | E2   | E2      | 0.02           |
| 27             | DH50254       | Ceramic Pill F (Anode Lead)   | 0.3                              | E2   | D7      | 0.02           |
| 28             | DH50254       | Ceramic Pill G                | 0.37                             | D7   | A7      | 0.15           |
| 29             | DH50255       | Ceramic Pill A (2 Leads)      | 0.36                             | E2   | E2      | 0.02           |
| 30             | DH50255       | Ceramic Pill B                | 0.36                             | D7   | D7      | 0.02           |
| 31             | DH50255       | Ceramic Pill C (Cathode Lead) | 0.36                             | D7   | E2      | 0.02           |
| 32             | DH50255       | Ceramic Pill D (Anode Lead)   | 0.36                             | E2   | D7      | 0.02           |
| 33             | DH50255       | Ceramic Pill E (2 Leads)      | 0.36                             | E2   | E2      | 0.02           |
| 34             | DH50255       | Ceramic Pill F (Anode Lead)   | 0.36                             | E2   | D7      | 0.02           |
| 35             | DH50255       | Ceramic Pill G                | 0.43                             | D7   | A7      | 0.15           |
| 36             | DH50256       | Ceramic Pill G                | 0.6                              | D7   | A7      | 0.15           |
| 37             | DH50251       | Ceramic Stripline             | 0.2                              | D7   | D7      | 0.02           |
| 38             | DH50252       | Ceramic Stripline             | 0.22                             | D7   | D7      | 0.02           |
| 39             | DH50253       | Ceramic Stripline             | 0.26                             | D7   | D7      | 0.02           |
| 40             | DH50254       | Ceramic Stripline             | 0.31                             | D7   | D7      | 0.02           |
| 41             | DH50255       | Ceramic Stripline             | 0.37                             | D7   | D7      | 0.02           |

Die Components (Note 2)

| Variant Number | Based On Type | Junction Capacitance<br>$C_J$ (pF)<br>Max | Total Capacitance<br>$C_T$ (pF)<br>Max<br>(Note 3) |
|----------------|---------------|---|--|
| 42             | EH50251       | 0.06                                      | 0.26   |
| 43             | EH50252       | 0.08                                      | 0.28   |
| 44             | EH50253       | 0.12                                      | 0.32   |
| 45             | EH50254       | 0.17                                      | 0.37   |
| 46             | EH50255       | 0.23                                      | 0.43   |
| 47             | EH50256       | 0.4                                       | 0.6  |

**NOTES:**

1. The lead/terminal material and finish shall be in accordance with the requirements of ESCC Basic Specification No. [23500](#).
2. For Die Components, Variants 42 to 47, the default package selected for the assembly of the Packaged Test Sublot shall be Ceramic Pill G. At the Manufacturer's option, any of the other packages specified herein with a Variant for the same die may be selected. The die applicable to each Variant is indicated by the based on type number.
3. In cases where the default package is not selected for the Packaged Test Sublot, the Total Capacitance limit of the selected package shall apply.

1.5 MAXIMUM RATINGS

The maximum ratings shall not be exceeded at any time during use or storage.

Maximum ratings shall only be exceeded during testing to the extent specified in this specification and when stipulated in Test Methods and Procedures of the ESCC Generic Specification.

| Characteristics   | Symbols    | Maximum Ratings                     | Unit | Remarks         |
|---|------------|-------------------------------------|------|-----------------|
| DC Reverse Voltage  | $V_{Rmax}$ | -250                                | V    | $I_R = 10\mu A$ |
| DC Forward Current (Continuous)<br>Variants 01 to 06, 08 to 13:<br>Variants 07, 14:<br>Variants 15 to 20, 22 to 27, 29 to 34:<br>Variants 21, 28, 35, 36:<br>Variants 37 to 41: | $I_{Fmax}$ | 150<br>240<br>180<br>300<br>60      | mA   | Note 1          |
| RF Power Dissipation<br>Variants 01 to 06, 08 to 13:<br>Variants 07, 14:<br>Variants 15 to 20, 22 to 27, 29 to 34:<br>Variants 21, 28, 35, 36:<br>Variants 37 to 41:            | $P_{tot}$  | 0.5<br>0.83<br>0.62<br>1.25<br>0.26 | W    | Note 2          |
| Operating Temperature Range   | $T_{op}$   | -55 to +150                         | °C   | $T_{case}$      |
| Storage Temperature Range   | $T_{stg}$  | -65 to +175                         | °C   |                 |
| Junction Temperature  | $T_j$      | +150                                | °C   |                 |



| Characteristics  | Symbols       | Maximum Ratings               | Unit | Remarks |
|--|---------------|-------------------------------|------|---------|
| Thermal Resistance, Junction-to-Case<br>Variants 01 to 06, 08 to 13:<br>Variants 07, 14, 42, 43:<br>Variants 15 to 20, 22 to 27, 29 to 34:<br>Variants 21, 28, 35, 36, 44 to 47:<br>Variants 37 to 41: | $R_{th(j-c)}$ | 150<br>90<br>120<br>60<br>280 | °C/W | Note 3  |
| Soldering Temperature  | $T_{sol}$     | +230                          | °C   | Note 4  |

**NOTES:**

1. At  $T_{case} \leq +75^{\circ}C$ . For  $T_{case} > +75^{\circ}C$ , derate linearly to 0A at  $T_{case} = +150^{\circ}C$ .
2. At  $T_{case} \leq +75^{\circ}C$ . For  $T_{case} > +75^{\circ}C$ , derate linearly to 0W at  $T_{case} = +150^{\circ}C$ .
3. Thermal Resistance ratings for Naked Die Components, Variants 42 to 47, refer to the Packaged Test Sublot assembled in the default Ceramic Pill G package. In cases where the default package is not used, the Thermal Resistance rating associated with the package used and the same die shall apply.
4. Duration 5 seconds maximum and the same terminal shall not be resoldered until 3 minutes have elapsed. Only applicable to Variants 01 to 41 (Packaged Components).

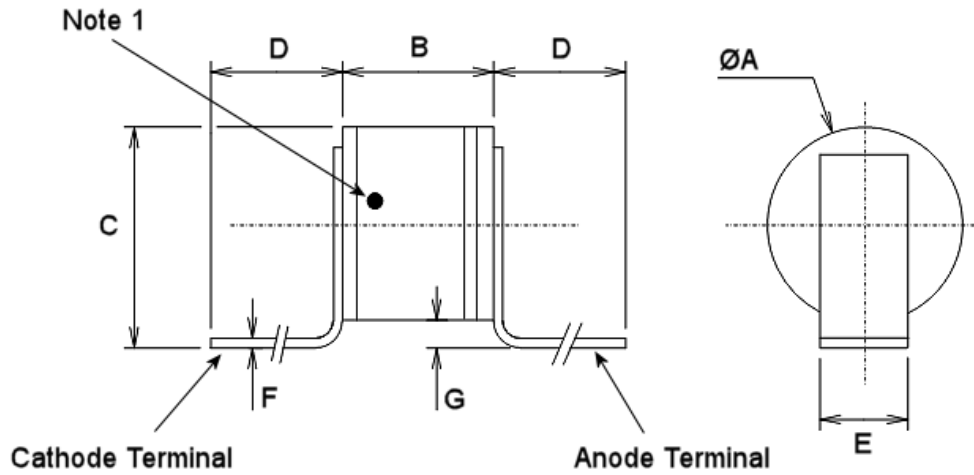
1.6 HANDLING PRECAUTIONS

These devices are susceptible to damage by electrostatic discharge. Therefore, suitable precautions shall be employed for protection during all phases of manufacture, testing, packaging, shipment and any handling.

These components are categorised as Class 2 per ESCC Basic Specification No. [23800](#) with a Minimum Critical Path Failure Voltage of 1400V.

1.7 PHYSICAL DIMENSIONS AND TERMINAL IDENTIFICATION

1.7.1 Ceramic Pill A (2 Leads) - Variants 01, 08, 15, 22, 29

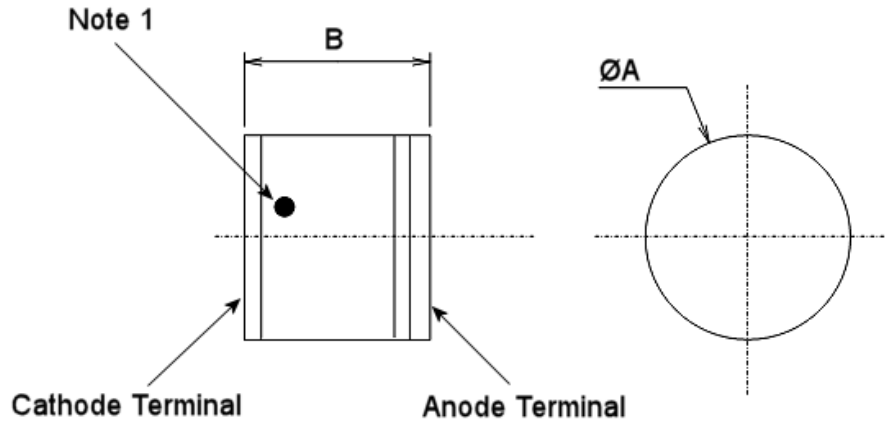


| Symbols | Dimensions mm |      | Remarks        |
|---------|---------------|------|----------------|
|         | Min           | Max  |                |
| ØA      | 1.07          | 1.47 |                |
| B       | 0.95          | 1.35 |                |
| C       | 1.3           | 1.9  | Both terminals |
| D       | 2.5           | -    |                |
| E       | 0.55          | 0.65 | Both terminals |
| F       | 0.06          | 0.1  | Both terminals |
| G       | 0.1           | 0.5  | Both terminals |

**NOTES:**

- Terminal identification: The body shall be marked at a suitable location near the cathode terminal with a black dot.

1.7.2 Ceramic Pill B - Variants 02, 09, 16, 23, 30

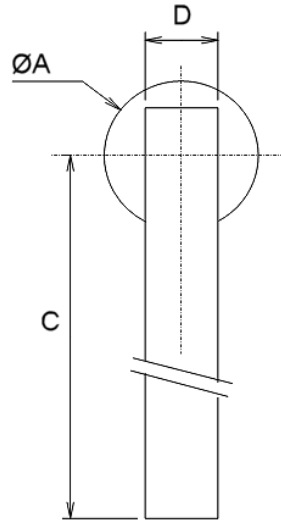
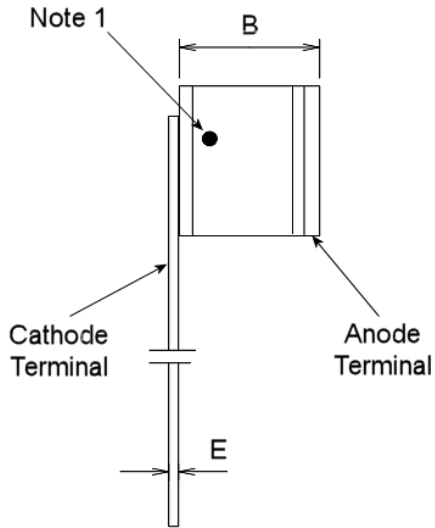


| Symbols | Dimensions mm |      |
|---------|---------------|------|
|         | Min           | Max  |
| ØA      | 1.07          | 1.47 |
| B       | 0.95          | 1.35 |

**NOTES:**

1. Terminal identification: The body shall be marked at a suitable location near the cathode terminal with a black dot.

1.7.3 Ceramic Pill C (Cathode Lead) - Variants 03, 10, 17, 24, 31

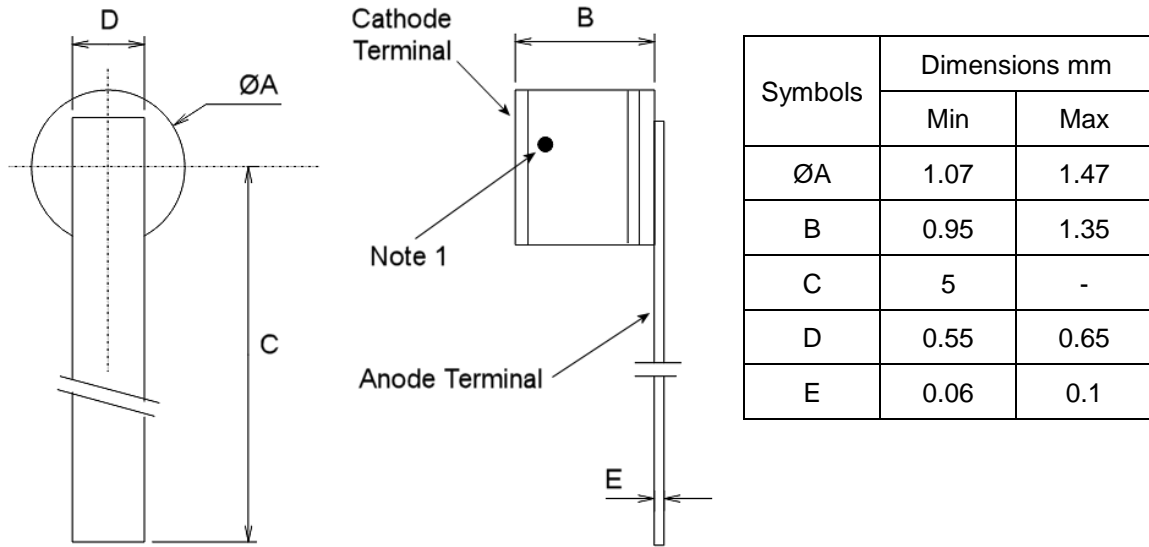


| Symbols | Dimensions mm |      |
|---------|---------------|------|
|         | Min           | Max  |
| ØA      | 1.07          | 1.47 |
| B       | 0.95          | 1.35 |
| C       | 5             | -    |
| D       | 0.55          | 0.65 |
| E       | 0.06          | 0.1  |

**NOTES:**

1. Terminal identification: The body shall be marked at a suitable location near the cathode terminal with a black dot.

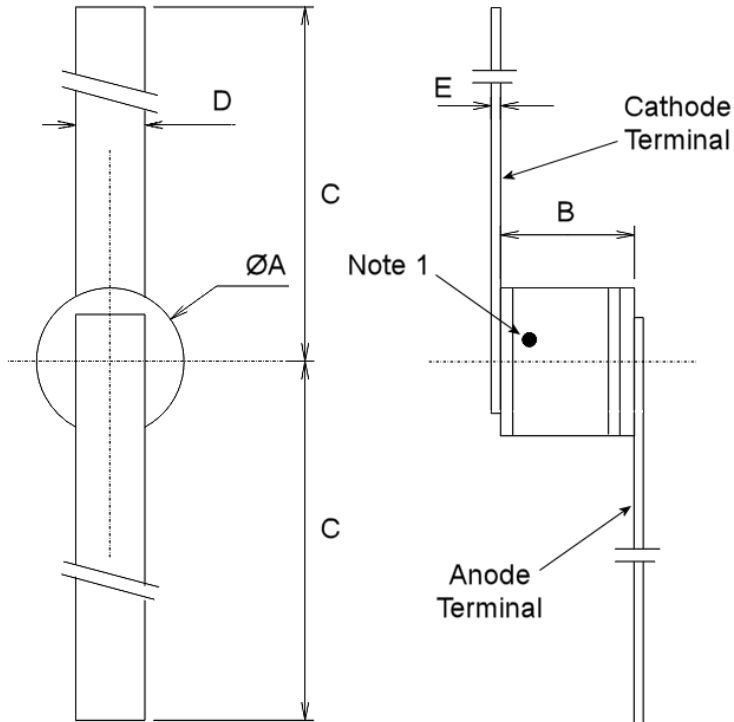
1.7.4 Ceramic Pill D (Anode Lead) - Variants 04, 11, 18, 25, 32



**NOTES:**

1. Terminal identification: The body shall be marked at a suitable location near the cathode terminal with a black dot.

1.7.5 Ceramic Pill E (2 Leads) - Variants 05, 12, 19, 26, 33

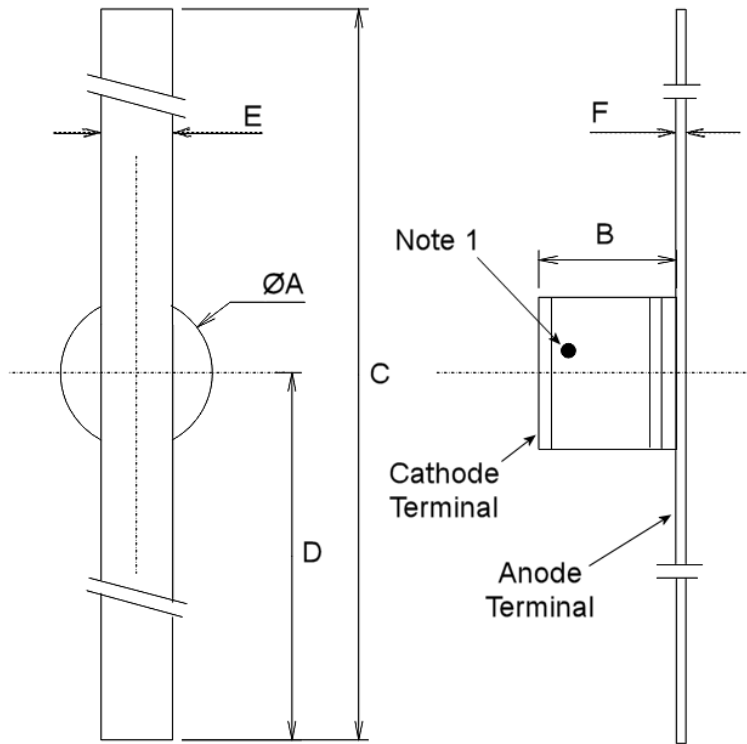


| Symbols         | Dimensions mm |      | Remarks        |
|-----------------|---------------|------|----------------|
|                 | Min           | Max  |                |
| $\varnothing A$ | 1.07          | 1.47 |                |
| B               | 0.95          | 1.35 |                |
| C               | 5             | -    |                |
| D               | 0.55          | 0.65 | Both terminals |
| E               | 0.06          | 0.1  | Both terminals |

**NOTES:**

1. Terminal identification: The body shall be marked at a suitable location near the cathode terminal with a black dot.

1.7.6 Ceramic Pill F (Anode Lead) - Variants 06, 13, 20, 27, 34

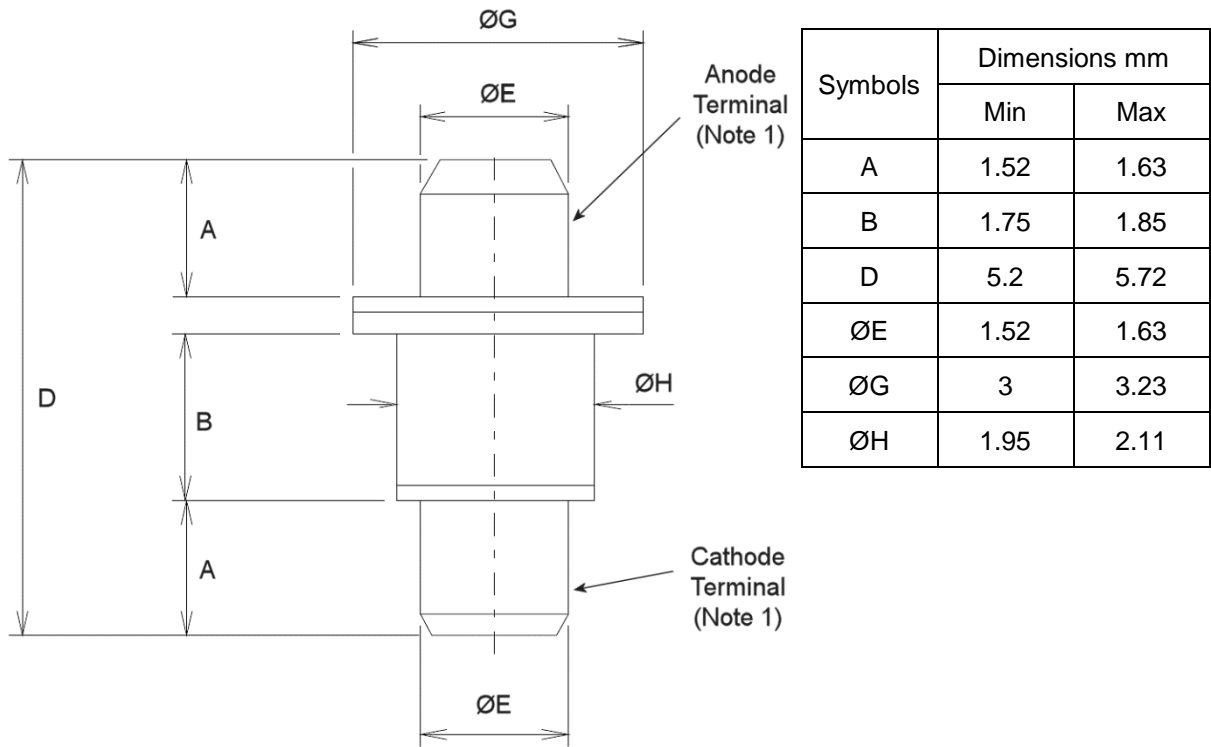


| Symbols | Dimensions mm |      |
|---------|---------------|------|
|         | Min           | Max  |
| ØA      | 1.07          | 1.47 |
| B       | 0.95          | 1.35 |
| C       | 10            | 10.4 |
| D       | 5             | -    |
| E       | 0.55          | 0.65 |
| F       | 0.06          | 0.1  |

**NOTES:**

1. Terminal identification: The body shall be marked at a suitable location near the cathode terminal with a black dot.

1.7.7 Ceramic Pill G - Variants 07, 14, 21, 28, 35, 36



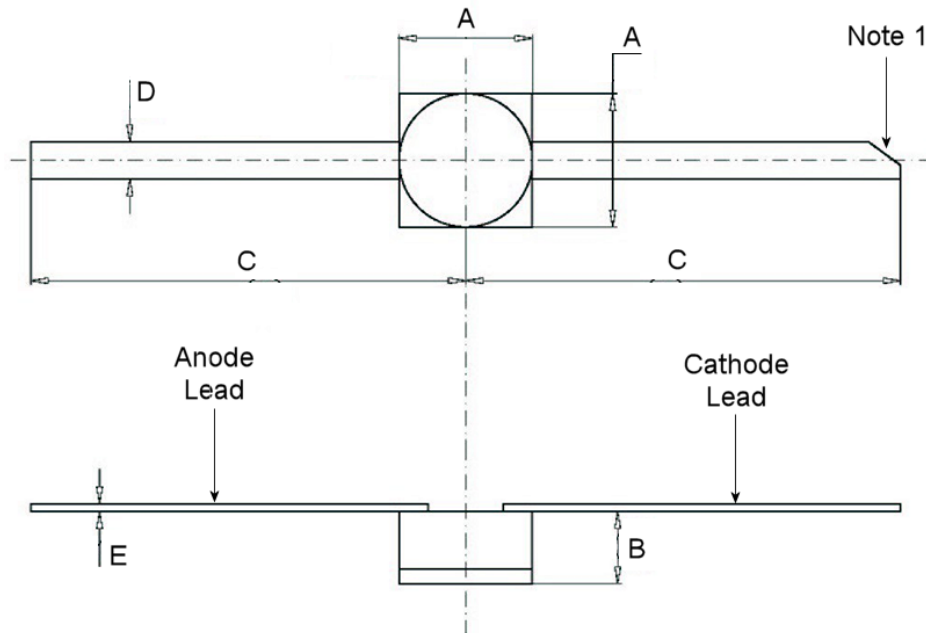
| Symbols | Dimensions mm |      |
|---------|---------------|------|
|         | Min           | Max  |
| A       | 1.52          | 1.63 |
| B       | 1.75          | 1.85 |
| D       | 5.2           | 5.72 |
| ØE      | 1.52          | 1.63 |
| ØG      | 3             | 3.23 |
| ØH      | 1.95          | 2.11 |

**NOTES:**

- Terminal identification shall be by means of the physical configuration of the package.



1.7.8 Ceramic Stripline - Variants 37 to 41

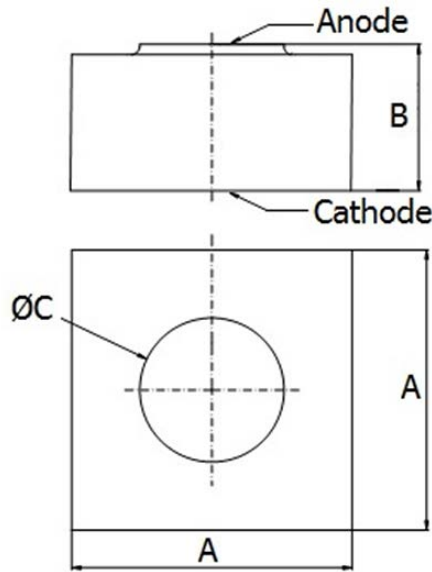


| Symbols | Dimensions mm |      | Remarks    |
|---------|---------------|------|------------|
|         | Min           | Max  |            |
| A       | 1.68          | 1.88 |            |
| B       | 0.91          | 1.01 |            |
| C       | 6.15          | 6.55 |            |
| D       | 0.45          | 0.55 | Both leads |
| E       | 0.08          | 0.12 | Both leads |

**NOTES:**

1. Terminal identification: The end of the cathode lead shall have a 45° chamfer.

1.7.9 Die – Variants 42 to 47

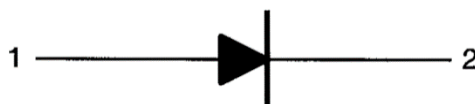


| Symbols | Dimensions mm |      | Remarks    |
|---------|---------------|------|------------|
|         | Min           | Max  |            |
| A       | 0.34          | 0.4  |            |
| B       | 0.16          | 0.26 |            |
| ØC      | 0.07          | 0.12 | Variant 42 |
|         | 0.08          | 0.14 | Variant 43 |
|         | 0.1           | 0.16 | Variant 44 |
|         | 0.12          | 0.19 | Variant 45 |
|         | 0.15          | 0.22 | Variant 46 |
|         | 0.2           | 0.27 | Variant 47 |

**NOTES:**

1. Terminal identification shall be by means of the physical configuration.
2. Die construction, materials, finishes:
  - Die substrate: Silicon
  - Bond pad: The metallisation shall be TiPtAu with a layer of vacuum-deposited gold of thickness 0.7µm minimum.
  - Die backface: The metallisation shall be TiPtAu with a layer of gold of thickness 0.7µm minimum.
  - Glassivation: The glassivation material shall be glass of thickness 5µm minimum surrounding the mesa, the glass thickness and coverage varies at the mesa due to mesa shape.

1.8 FUNCTIONAL DIAGRAM



1. Anode
2. Cathode

**NOTES:**

1. For Variants 37 to 41, the lid is isolated from the terminals.

## 1.9 MATERIALS AND FINISHES

### 1.9.1 Materials and Finishes of Packaged Components

For Variants 01 to 41, the materials and finishes shall be as follows:

- (a) Case  
The case shall be hermetically sealed and have a ceramic body with a metal base and lid.
- (b) Terminals  
As specified in Para. 1.4.2.

### 1.9.2 Materials and Finishes of Die Components

For Variants 42 to 47, the materials and finishes shall be as specified in Para. 1.7.9.

## 2 REQUIREMENTS

### 2.1 GENERAL

The complete requirements for procurement of the components specified herein are as stated in this specification and the ESCC Generic Specification. Permitted deviations from the Generic Specification, applicable to this specification only, are listed below.

Permitted deviations from the Generic Specification and this Detail Specification, formally agreed with specific Manufacturers on the basis that the alternative requirements are equivalent to the ESCC requirement and do not affect the component's reliability, are listed in the appendices attached to this specification.

#### 2.1.1 Deviations from the Generic Specification

##### 2.1.1.1 *Deviations from Qualification and Periodic Tests – Chart F4*

- (a) Mechanical Shock: Shall not be performed.
- (b) Vibration: Shall not be performed.
- (c) Constant Acceleration: Shall not be performed.

### 2.2 MARKING

The marking shall be in accordance with the requirements of ESCC Basic Specification No. [21700](#) and as follows.

The information to be marked on the component or its primary package shall be:

- (a) Terminal identification, as specified in Para. 1.7.
- (b) The ESCC qualified components symbol (for ESCC qualified components only).
- (c) The ESCC Component Number.
- (d) Traceability information.

### 2.3 DIE SHEAR

In those cases where package clearances are such that a die shear test is not practicable, the die shall be pushed away with a suitable tool. The force required to remove the die need not be recorded. The die attachment area shall be inspected and the component shall be considered acceptable if more than 50% of the semiconductor material remains.

2.4 TERMINAL STRENGTH

The test conditions for terminal strength, tested as specified in the ESCC Generic Specification, shall be as follows:

- For Variants 01, 03 to 06, 08, 10 to 13, 15, 17 to 20, 22, 24 to 27, 29, 31 to 34, 37 to 41: Test Condition A, tension, with a force of 1.25N for duration 10s.
- For Variants 02, 07, 09, 14, 16, 21, 23, 28, 30, 35, 36: shall not be performed.
- For Variants 42 to 47: not applicable.

2.5 ELECTRICAL MEASUREMENTS AT ROOM, HIGH AND LOW TEMPERATURES

2.5.1 Room Temperature Electrical Measurements

The measurements shall be performed at  $T_{amb} = +22 \pm 3^{\circ}C$ .

| Characteristics   | Symbols       | MIL-STD-750<br>Test Method | Test Conditions   | Limits |                                      | Units         |
|---|---------------|----------------------------|---|--------|--------------------------------------|---------------|
|   |               |                            |   | Min    | Max                                  |               |
| Reverse Current 1 (Note 1)  | $I_{R1}$      | 4016                       | $V_R = -250V$   | -      | 10                                   | $\mu A$       |
| Reverse Current 2 (Note 1)  | $I_{R2}$      | 4016                       | $V_R = -125V$   | -      | 500                                  | nA            |
| Forward Voltage (Note 1)  | $V_F$         | 4011                       | $I_F = 10mA$  | -      | 1.1                                  | V             |
| Thermal Resistance,<br>Junction-to-Case (Note 2)<br>Variants 01 to 06, 08 to 13,<br>37 to 41:<br>Variants 07, 14 to 20, 22 to 27,<br>29 to 34, 42, 43:<br>Variants 21, 28, 35, 36,<br>44 to 47:                 | $R_{th(j-c)}$ | 3101                       | Note 3<br><br>$P = 0.25W$<br><br>$P = 0.5W$<br><br>$P = 1W$ | -      | Note 4                               | $^{\circ}C/W$ |
| Total Capacitance (Note 2)  | $C_T$         | 4001                       | $V_R = -50V$<br>$f = 1MHz$                                  | -      | Note 5                               | pF            |
| Junction Capacitance (Note 6)   | $C_J$         | 4001                       | $V_R = -50V$<br>$f = 1MHz$                                  | -      | Note 5                               | pF            |
| Forward Series Resistance<br>(Note 1)<br>Variants 01 to 07, 37, 42:<br>Variants 08 to 14, 38, 43:<br>Variants 15 to 21, 39, 44:<br>Variants 22 to 28, 40, 45:<br>Variants 29 to 35, 41, 46:<br>Variants 36, 47: | $R_{SF}$      | 4056                       | $I_F = 10mA$<br>$f = 120MHz$                                | -      | 2.4<br>2.2<br>2<br>1.4<br>0.9<br>0.8 | $\Omega$      |

| Characteristics                       | Symbols  | MIL-STD-750<br>Test Method | Test Conditions                           | Limits |     | Units |
|---------------------------------------|----------|----------------------------|---|--------|-----|-------|
|                                       |          |                            |   | Min    | Max |       |
| Minority Carrier Lifetime<br>(Note 7) | $\tau_L$ | 4031                       | $I_F = 10\text{mA}$<br>$I_R = 6\text{mA}$ |        | 2   | ns    |
| Variants 01 to 07, 37, 42:            |          |                            |   | 265    | -   |       |
| Variants 08 to 14, 38, 43:            |          |                            |   | 400    | -   |       |
| Variants 15 to 21, 39, 44:            |          |                            |   | 600    | -   |       |
| Variants 22 to 28, 40, 45:            |          |                            |   | 720    | -   |       |
| Variants 29 to 35, 41, 46:            |          |                            |   | 800    | -   |       |
| Variants 36, 47:                      |          |                            |   | 970    | -   |       |

**NOTES:**

1. This characteristic applies to all Variants tested during Charts F2 and F3 of the Generic Specification.
2. This characteristic applies to Variants 01 to 41 (Packaged Components) and Variants 42 to 47 (Packaged Test Sublot samples for Die Components), tested only during Chart F3 of the Generic Specification.
3. Pulsed measurement, pulse width = 4 $\mu$ s, pulse repetition frequency = 1kHz.
4. See Para. 1.5 for the applicable limits.
5. See Para. 1.4.2 for the applicable limits.
6. This characteristic only applies to Variants 42 to 47 (Die Components), tested only during Chart F2 of the Generic Specification.
7. Only performed during Chart F2 of the Generic Specification, on a sample of 27 dice per wafer. In the event of any failure, a 100% inspection shall be performed and all failures shall be clearly identified.

2.5.2 High and Low Temperatures Electrical Measurements

The measurements shall be performed only at  $T_{amb} = +150 (+0 -3)^{\circ}\text{C}$ .

| Characteristics            | Symbols  | MIL-STD-750<br>Test Method | Test Conditions<br>Note 1 | Limits |     | Units         |
|----------------------------|----------|----------------------------|---------------------------|--------|-----|---------------|
|                            |          |                            |                           | Min    | Max |               |
| Reverse Current 2 (Note 2) | $I_{R2}$ | 4016                       | $V_R = -125\text{V}$      | -      | 50  | $\mu\text{A}$ |

**NOTES:**

1. Measurements shall be performed on a sample basis as specified in the Generic Specification.
2. This characteristic applies to all Variants tested during Charts F2 and F3 of the Generic Specification.

2.6 PARAMETER DRIFT VALUES

Unless otherwise specified, the measurements shall be performed at  $T_{amb} = +22 \pm 3^{\circ}C$ .

The test methods and test conditions shall be as per the corresponding test defined in Para. 2.5.1, Room Temperature Electrical Measurements.

The drift values ( $\Delta$ ) shall not be exceeded for each characteristic specified. The corresponding absolute limit values for each characteristic shall not be exceeded.

| Characteristics            | Symbols  | Limits                                |          | Units  |     |
|----------------------------|----------|---------------------------------------|----------|--------|-----|
|                            |          | Drift Value (1)<br>$\Delta$           | Absolute |        |     |
|                            |          |                                       | Min      |        | Max |
| Reverse Current 2          | $I_{R2}$ | $\pm 50$<br>or (2)<br>$\pm 100\%$     | -        | 500    | nA  |
| Forward Voltage            | $V_F$    | $\pm 5\%$                             | -        | 1.1    | V   |
| Total Capacitance (Note 3) | $C_T$    | $\pm 5\%$ (4)<br>or<br>$\pm 10\%$ (5) | -        | Note 6 | pF  |

**NOTES:**

- $\Delta 1 = \Delta 2$ .
- Whichever is the greater referred to the initial value.
- This characteristic applies to Variants 01 to 41 (Packaged Components) and Variants 42 to 47 (Packaged Test Sublot samples for Die Components).
- Applicable drift value for  $C_T > 0.5pF$  and rounded upwards to the nearest 0.01pF.
- Applicable drift value for  $C_T \leq 0.5pF$  and rounded upwards to the nearest 0.01pF.
- See Para. 1.4.2 for the applicable limits.

2.7 INTERMEDIATE AND END-POINT ELECTRICAL MEASUREMENTS

Unless otherwise specified, the measurements shall be performed at  $T_{amb} = +22 \pm 3^{\circ}C$ .

The test methods and test conditions shall be as per the corresponding test defined in Para. 2.5.1, Room Temperature Electrical Measurements.

The limit values for each characteristic shall not be exceeded.

| Characteristics            | Symbols  | Limits |        | Units   |
|----------------------------|----------|--------|--------|---------|
|                            |          | Min    | Max    |         |
| Reverse Current 1          | $I_{R1}$ | -      | 10     | $\mu A$ |
| Reverse Current 2          | $I_{R2}$ | -      | 500    | nA      |
| Forward Voltage            | $V_F$    | -      | 1.1    | V       |
| Total Capacitance (Note 1) | $C_T$    | -      | Note 2 | pF      |

**NOTES:**

- This characteristic applies to Variants 01 to 41 (Packaged Components) and Variants 42 to 47 (Packaged Test Sublot samples for Die Components).
- See Para. 1.4.2 for the applicable limits.

2.8 BURN-IN 1 CONDITIONS

| Characteristics          | Symbols          | Test Conditions | Units |
|--------------------------|------------------|-----------------|-------|
| Ambient Temperature      | T <sub>amb</sub> | +150 (+0 -3)    | °C    |
| Reverse Voltage (Note 1) | V <sub>R</sub>   | -187.5          | V     |

**NOTES:**

1. Upon completion of Burn-in 1, the test voltage shall be maintained until T<sub>amb</sub> < +35°C.

2.9 BURN-IN 2 CONDITIONS

| Characteristics                        | Symbols           | Test Conditions | Units |
|--|-------------------|-----------------|-------|
| Case Temperature                       | T <sub>case</sub> | +125 (+0 -3)    | °C    |
| Forward Current                        | I <sub>F</sub>    |                 | mA    |
| Variants 01 to 06, 08 to 13:           |                   | 50              |       |
| Variants 07, 14, 42, 43:               |                   | 80              |       |
| Variants 15 to 20, 22 to 27, 29 to 34: |                   | 60              |       |
| Variants 21, 28, 35, 36, 44 to 47:     |                   | 100             |       |
| Variants 37 to 41:                     |                   | 20              |       |

2.10 OPERATING LIFE CONDITIONS

The conditions shall be as specified in Para. 2.9.

**APPENDIX 'A'**  
**AGREED DEVIATIONS FOR COBHAM MICROWAVE (F)**

| Items Affected   | Description of Deviations   |
|--|---|
| Para. 2.1.1, Deviations from the Generic Specification:<br>Deviations from Special In-Process Controls – Chart F2              | SEM Inspection: From each wafer selected for SEM Inspection, the sample of three dice shall be selected after die separation.<br><br>Bond Strength: The following pre-seal bond strength shall apply: <ul style="list-style-type: none"> <li>• 0.03N minimum</li> </ul>   |
| Para. 2.1.1, Deviations from the Generic Specification:<br>Deviations from Screening Tests for Packaged Components – Chart F3A | Radiographic Inspection: <ul style="list-style-type: none"> <li>• May be performed without serialisation and at any point during Chart F3A. Any components found to fail Radiographic Inspection shall be removed from the lot.</li> <li>• May be performed in the X and Z axes only.</li> </ul>  |
| Para. 2.1.1.1, Deviations from Qualification and Periodic Tests – Chart F4   | For the De-encapsulation Subgroup, the Internal Visual Inspection, Bond Strength and Die Shear tests may be replaced by measurements verifying the die solder integrity and wire integrity, as follows: <ul style="list-style-type: none"> <li>• Thermal Impedance test in accordance with <a href="#">MIL-STD-750, Test Method 3101</a>.               <ul style="list-style-type: none"> <li>• For Variants 01 to 06, 08 to 13, 37 to 41: <math>P_D = 0.25W</math>.</li> <li>• For Variants 07, 14 to 20, 22 to 27, 29 to 34, 42, 43: <math>P_D = 0.5W</math>.</li> <li>• For Variants 21, 28, 35, 36, 44 to 47: <math>P_D = 1W</math>.</li> </ul> </li> </ul> The Thermal Impedance shall be measured and shall not exceed the applicable value of Thermal Resistance, Junction-to-Case specified in Para. 1.5 herein. <ul style="list-style-type: none"> <li>• Forward Voltage test in accordance with <a href="#">MIL-STD-750, Test Method 4011</a>.               <ul style="list-style-type: none"> <li>• For Variants 01 to 36 and 42 to 47: <math>I_F = 100mA</math>.</li> <li>• For Variants 37 to 41: <math>I_F = 60mA</math>.</li> </ul> </li> </ul> The Forward Voltage shall be measured and shall not exceed 1.2V. |