



**CONTACTS, ELECTRICAL, CRIMP, SOLDER
FOR 3401/007 AND 3401/008 CONNECTORS**

ESCC Detail Specification No. 3401/009

Issue 7	February 2018
---------	---------------



LEGAL DISCLAIMER AND COPYRIGHT

European Space Agency, Copyright © 2018. All rights reserved.

The European Space Agency disclaims any liability or responsibility, to any person or entity, with respect to any loss or damage caused, or alleged to be caused, directly or indirectly by the use and application of this ESCC publication.

This publication, without the prior permission of the European Space Agency and provided that it is not used for a commercial purpose, may be:

- copied in whole, in any medium, without alteration or modification.
- copied in part, in any medium, provided that the ESCC document identification, comprising the ESCC symbol, document number and document issue, is removed.

DOCUMENTATION CHANGE NOTICE

(Refer to <https://escies.org> for ESCC DCR content)

DCR No.	CHANGE DESCRIPTION
1117	Specification upissued to incorporate technical changes per DCR.

TABLE OF CONTENTS

1	GENERAL	6
1.1	SCOPE	6
1.2	COMPONENT TYPE VARIANTS	6
1.3	MAXIMUM RATINGS	6
1.4	PARAMETER DERATING INFORMATION (FIGURE 1)	6
1.5	PHYSICAL DIMENSIONS	6
2	APPLICABLE DOCUMENTS	6
3	TERMS, DEFINITIONS, ABBREVIATIONS, SYMBOLS AND UNITS	6
4	REQUIREMENTS	16
4.1	GENERAL	16
4.2	DEVIATIONS FROM GENERIC SPECIFICATION	16
4.2.1	Deviations from Special In-process Controls	16
4.2.2	Deviations from Final Production Tests (Chart II)	16
4.2.3	Deviations from Burn-in and Electrical Measurements (Chart III)	16
4.2.4	Deviations from Qualification Tests (Chart IV)	16
4.2.5	Deviations from Lot Acceptance Tests (Chart V)	16
4.3	MECHANICAL REQUIREMENTS	16
4.3.1	Dimension Check	16
4.3.2	Weight	16
4.3.3	Contact Capability	16
4.3.4	Contact Retention (In Insert)	16
4.3.5	Mating and Unmating Forces	16
4.3.6	Insert Retention (In Shell)	17
4.3.7	Jackscrew Retention	17
4.3.8	Contact Insertion and Withdrawal Forces	17
4.3.9	Engagement and Separation Forces	17
4.3.10	Oversize Pin Exclusion	17
4.3.11	Probe Damage	17
4.3.12	Solderability	17
4.4	MATERIALS AND FINISHES	17
4.4.1	Shell, Coupling Ring and Nut	17
4.4.2	Inserts	17
4.4.3	Contacts	17
4.4.3.1	BODY	17
4.4.3.2	SLEEVES	17
4.4.4	Contact Retaining Clip	17

4.4.5	Guiding and Locking Devices	17
4.4.6	Magnetism Level	18
4.5	MARKING	18
4.5.1	General	18
4.5.2	The ESCC Component Number	18
4.5.3	Traceability Information	18
4.6	ELECTRICAL MEASUREMENTS	18
4.6.1	Electrical Measurements at Room Temperature	18
4.6.2	Electrical Measurements at High and Low Temperatures (Table 3)	18
4.6.3	Circuits for Electrical Measurements (Figure 4)	18
4.7	SCREENING TESTS (TABLES 4 AND 5)	18
4.8	ENVIRONMENTAL AND ENDURANCE TESTS (CHARTS IV AND V OF ESCC GENERIC SPECIFICATION NO. 3401)	19
4.8.1	Measurements and Inspections on Completion of Environmental Tests	19
4.8.2	Measurements and Inspections at Intermediate Points during Endurance Tests	19
4.8.3	Measurements and Inspections on Completion of Endurance Tests	19
4.8.4	Conditions for Operating Life Tests (Part of Endurance Testing)	19
4.8.5	Electrical Circuits for Operating Life Tests	19
4.8.6	Conditions for High Temperature Storage Test (Part of Endurance Testing)	19

1 GENERAL

1.1 SCOPE

This specification details the ratings, physical and electrical characteristics, test and inspection data for Contacts, Electrical, Crimp, Solder, Gauge 20, 16, 12 and 8 for [3401/007](#) and [3401/008](#) Connectors.

These contacts shall be packed separately from the connectors and may be procured either with the connectors or separately.

This specification shall be read in conjunction with:

- ESCC Generic Specification No. [3401](#), Connectors, Electrical, Non-Filtered, Circular and Rectangular.
- ESCC Detail Specification No. [3401/007](#), Connectors, Miniature, Electrical, Circular, Bayonet Coupling, Removable Crimp Contacts, Based on Type DFE.
- ESCC Detail Specification No. [3401/008](#), Connectors, Miniature, Electrical, Circular, Push-Pull Coupling, Removable Crimp Contacts, Based on Type DBAS.

the requirements of which are supplemented herein.

1.2 COMPONENT TYPE VARIANTS

Variants of the basic type of contacts specified herein, which are also covered by this specification, are scheduled in Table 1(a).

1.3 MAXIMUM RATINGS

The maximum ratings, which shall not be exceeded at any time during use or storage, applicable to the contacts specified herein, are scheduled in Table 1(b).

1.4 PARAMETER DERATING INFORMATION (FIGURE 1)

Not applicable.

1.5 PHYSICAL DIMENSIONS

The physical dimensions of the contacts specified herein are shown in Figure 2.

2 APPLICABLE DOCUMENTS

The following documents form part of this specification and shall be read in conjunction with it:

- (a) ESCC Generic Specification No. [3401](#), Connectors, Electrical, Non-Filtered, Circular and Rectangular.
- (b) ESCC Detail Specification No. [3401/007](#), Connectors, Miniature, Electrical, Circular, Bayonet Coupling, Removable Crimp Contacts, Based on Type DFE.
- (c) ESCC Detail Specification No. [3401/008](#), Connectors, Miniature, Electrical, Circular, Push-Pull Coupling, Removable Crimp Contacts, Based on Type DBAS.
- (d) MIL-G-45204, Gold-plating, Electro-deposited.
- (e) MIL-C-14550, Copper-plating, Electro-deposited.

3 TERMS, DEFINITIONS, ABBREVIATIONS, SYMBOLS AND UNITS

For the purpose of this specification, the terms, definitions, abbreviations, symbols and units specified in ESCC Basic Specification No. [21300](#) shall apply.

TABLE 1(a) - TYPE VARIANTS

Variant	Type	Mating End	Crimp Barrel	Rated Current (A)	Accepted Wire (AWG)	Max. Weight (g)	Engagement & Separation		Test Pin Dia (mm)		Contact Capability	
		Size Colour	Size Colour				Engag. (N) (1)	Separ. (N) (1)	Min.	Max.	Weight	
											Pick-up (g) (2)	Drop (g) (3)
01	Male	20 Red	20 Red	7.5	20 24	0.32	-	-	-	-	-	-
02	Female	20 Red	20 Red	7.5	20 24	0.32	3.33 0.28	2.22 0.2	1.039 0.99	1.042 0.993	- 28.35	226.8 -
03	Male	20 Red	18 Violet	7.5	18 22	0.32	-	-	-	-	-	-
04	Female	20 Red	18 Violet	7.5	18 22	0.32	3.33 0.28	2.22 0.2	1.039 0.99	1.042 0.993	- 28.35	226.8 -
05	Male	20 Red	26 White	2.5	26 28	0.32	-	-	-	-	-	-
06	Female	20 Red	26 White	2.5	26 28	0.32	3.33 0.28	2.22 0.2	1.039 0.99	1.042 0.993	- 28.35	226.8 -
07	Male	16 Blue	16 Blue	13	16 20	0.6	-	-	-	-	-	-
08	Female	16 Blue	16 Blue	13	16 20	0.64	5.55 0.56	3.75 0.56	1.61 1.562	1.613 1.565	- 56.7	382.6 -
09	Male	16 Blue	20 Red	7.5	20 24	0.6	-	-	-	-	-	-
10	Female	16 Blue	20 Red	7.5	20 24	0.64	5.55 0.56	3.75 0.56	1.61 1.562	1.613 1.565	- 56.7	382.6 -
11	Male	12 Yellow	12 Yellow	25	12 14	1.25	-	-	-	-	-	-
12	Female	12 Yellow	12 Yellow	25	12 14	1.25	8.4 0.83	5.56 0.85	2.411 2.362	2.413 2.365	- 84	567 -
13	Male	12 Yellow	16 Blue	13	16 20	1.25	-	-	-	-	-	-
14	Female	12 Yellow	16 Blue	13	16 20	1.25	8.4 0.83	5.56 0.85	2.411 2.362	2.413 2.365	- 84	567 -
15	Male	8 Green	8 Green	45	8	3.5	-	-	-	-	-	-
16	Female	8 Green	8 Green	45	8	3.5	45.4 1.4	45.4 1.4	4.96 4.892	4.963 4.905	- 141.75	4536 -
17	Male	8 Green	10 Brown	32	10	3.5	-	-	-	-	-	-
18	Female	8 Green	10 Brown	32	10	3.5	45.4 1.4	45.4 1.4	4.96 4.892	4.963 4.905	- 141.75	4536 -
19	Male	8 (4)	8 (4)	45	8	3.5	-	-	-	-	-	-
20	Female	8 (4)	8 (4)	45	8	3.5	45.4 1.4	45.4 1.4	4.96 4.892	4.963 4.905	- 141.75	4536 -

TABLE 1(a) – TYPE VARIANTS (CONTINUED)

Variant	Contact Retent. Force Max. (N)	Contact Insert/ Withdr. Force Max. (N)	Probe Damage			Oversize Pin Exclusion		
			Moment (N.cm)	Probe Dia (mm)		Force Max. (N)	Test Pin Dia (mm)	
				Min.	Max.		Min.	Max.
01	70	44	-	-	-	-	-	-
02	70	44	5.75	0.99	1.01	3.4	1.17	1.18
03	70	44	-	-	-	-	-	-
04	70	44	5.75	0.99	1.01	3.4	1.17	1.18
05	70	44	-	-	-	-	-	-
06	70	44	5.75	0.99	1.01	3.4	1.17	1.18
07	116	44	-	-	-	-	-	-
08	116	44	23	1.56	1.58	5.6	1.73	1.74
09	116	44	-	-	-	-	-	-
10	116	44	23	1.56	1.58	5.6	1.73	1.74
11	116	44	-	-	-	-	-	-
12	116	44	23	2.36	2.38	8.4	2.53	2.54
13	116	44	-	-	-	-	-	-
14	116	44	23	2.36	2.38	8.4	2.53	2.54
15	116	44	-	-	-	-	-	-
16	116	44	23	4.88	4.9	N/A	N/A	N/A
17	116	44	-	-	-	-	-	-
18	116	44	23	4.88	4.9	N/A	N/A	N/A
19	116	44	-	-	-	-	-	-
20	116	44	23	4.88	4.9	N/A	N/A	N/A

NOTES

1. 1st line for maximum values with maximum diameter test pin; 2nd line for minimum values with minimum diameter test pin.
2. With minimum diameter test pin and minimum insertion depth of 4 mm.
3. With maximum diameter test pin and minimum insertion depth of 4 mm.
4. These contacts are not colour coded.

TABLE 1(b) - MAXIMUM RATINGS

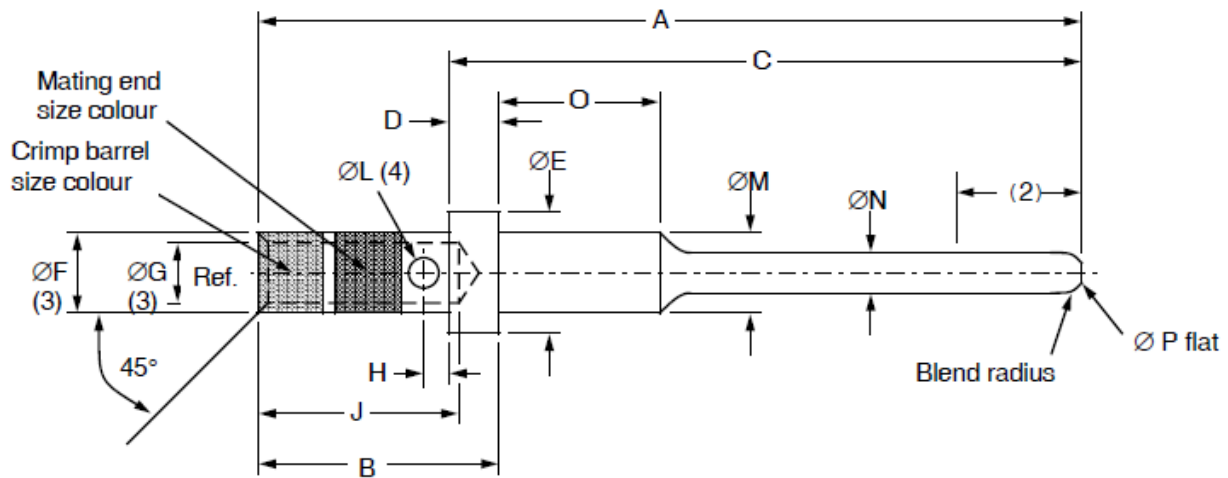
No.	Characteristics	Symbol	Maximum Ratings	Units
1	Rated Current	I_{CR}	See Table 1(a)	A
2	Operating Temperature Range	T_{op}	-65 to +200	°C
3	Storage Temperature Range	T_{stg}	-65 to +200	°C

FIGURE 1 - PARAMETER DERATING INFORMATION

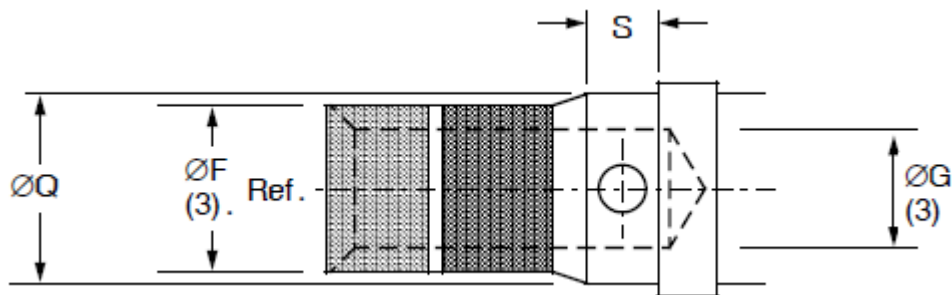
Not applicable.

FIGURE 2 - PHYSICAL DIMENSIONS

VARIANTS 01, 03, 05, 07, 09, 11, 13 (MALE CONTACT)



CONDUCTOR BARREL SHAPE FOR VARIANTS 05, 09, 11, 13

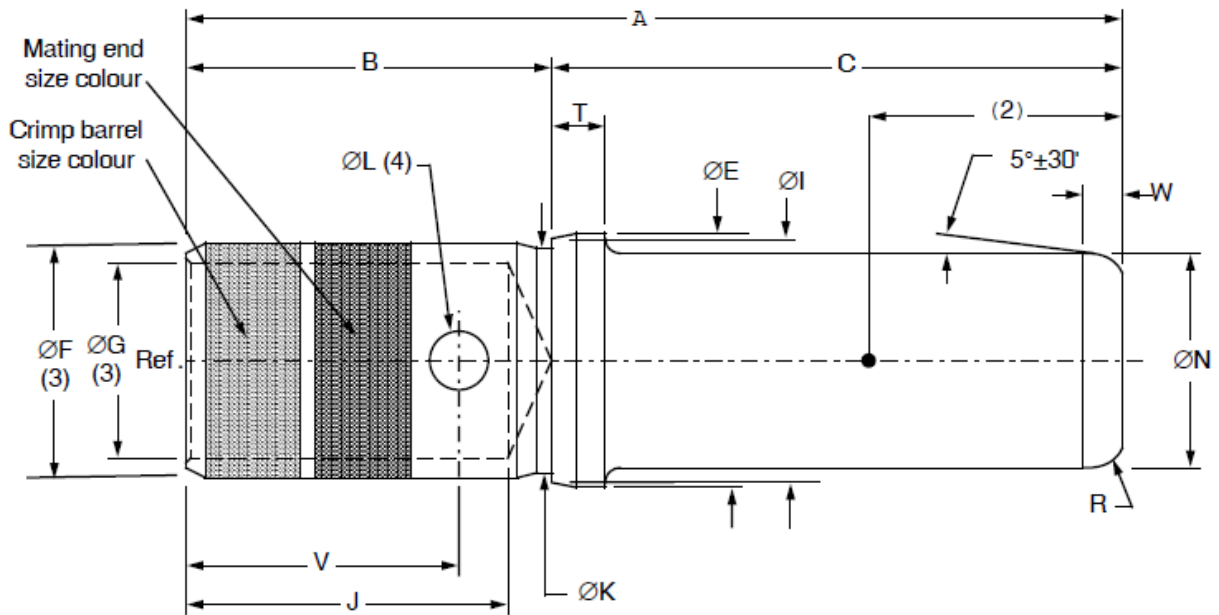


Variant	Dimensions	A	B	C	D	ØE	ØF	ØG	H	J	ØL	ØM	ØN	O	ØP	ØQ	S
01	Min.	-	4.82	13.8	0.74	2.53	1.92	1.21	0.63	4.07	0.67	1.92	0.99	3.09	-	-	-
	Max.	18.39	5.18	13.95	0.84	2.61	1.98	1.27	0.89	4.67	0.81	1.98	1.05	3.35	0.3	-	-
03	Min.	-	4.82	13.8	0.74	2.53	1.92	1.31	0.63	4.07	0.67	1.92	0.99	3.09	-	-	-
	Max.	18.39	5.18	13.95	0.84	2.61	1.98	1.37	0.89	4.67	0.81	1.98	1.05	3.35	0.3	-	-
05	Min.	-	4.82	13.8	0.74	2.53	1.44	0.61	0.63	4.07	0.67	1.92	0.99	3.09	-	1.92	1.27
	Max.	18.39	5.18	13.95	0.84	2.61	1.49	0.67	0.89	4.67	0.81	1.98	1.05	3.35	0.3	1.98	1.52
07	Min.	-	7.36	14.17	1.12	3.3	2.56	1.65	0.63	6.35	0.9	2.56	1.56	3.09	0.38	-	-
	Max.	20.95	7.75	14.32	1.22	3.38	2.62	1.73	0.89	7.21	1.07	2.62	1.61	3.35	0.63	-	-
09	Min.	-	7.36	14.17	1.12	3.3	1.92	1.21	0.63	6.35	0.9	2.56	1.56	3.09	0.38	2.56	1.27
	Max.	20.95	7.75	14.32	1.22	3.38	1.98	1.27	0.89	7.21	1.07	2.62	1.61	3.35	0.63	2.62	1.52
11	Min.	-	7.36	14.17	1.12	4.75	3.76	2.49	0.63	6.35	0.9	3.76	2.36	2.92	1.32	3.94	1.27
	Max.	20.95	2.75	14.32	1.22	4.83	3.83	2.59	0.89	7.21	1.07	3.83	2.41	3.05	1.57	4.01	1.52
13	Min.	-	7.36	14.17	1.12	4.75	2.56	1.65	0.63	6.35	0.9	3.76	2.36	2.92	1.32	3.94	1.27
	Max.	20.95	7.75	14.32	1.22	4.83	2.62	1.73	0.89	7.21	1.07	3.83	2.41	3.05	1.57	4.01	1.52

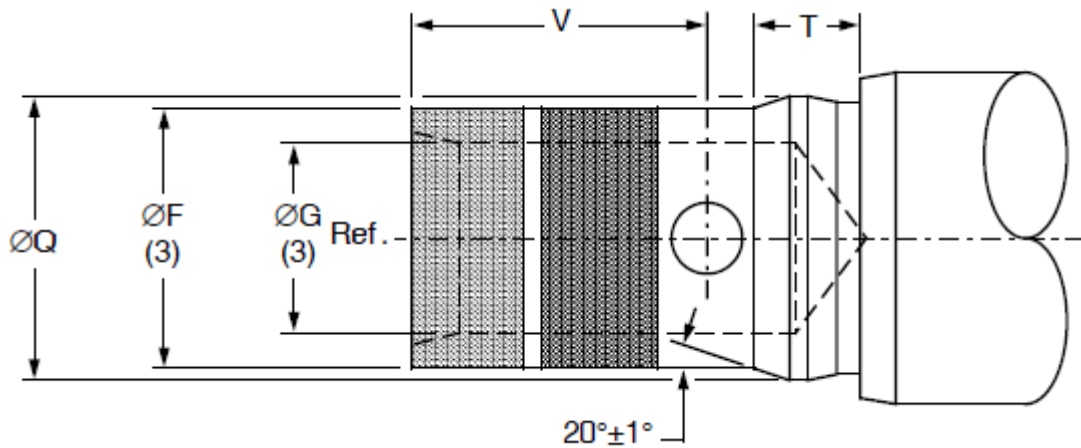
NOTES

1. All dimensions are in millimetres.
2. Measurement point for plating thickness = 4 ±1mm.
3. ØF and ØG to be concentric within 0.1 TIR.
4. Inspection hole shall only penetrate one wall of the crimp barrel.

VARIANTS 15, 17 (MALE CONTACT)



CONDUCTOR BARREL SHAPE FOR VARIANT 17

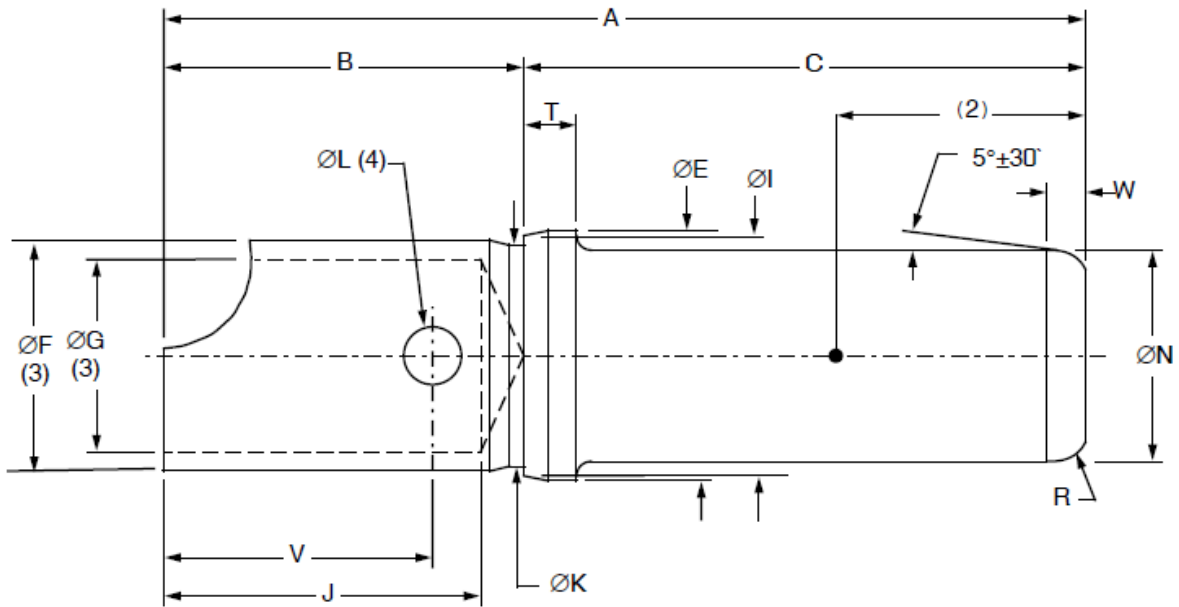


Variant	Dimensions	A	B	C	ØE	ØF	ØG	ØI	J	ØK	ØL	ØN	ØQ	R	T	V	W
15	Min.	-	8.47	13.79	6.25	5.62	4.51	6.08	7.03	5.26	1.15	4.9	-	0.5	1.41	6.13	0.75
	Max.	22.75	8.81	13.94	6.33	5.7	4.6	6.16	7.83	5.46	1.35	4.96	-	-	1.53	6.59	1.05
17	Min.	-	8.47	13.79	6.25	4.96	3.45	6.08	7.03	5.26	1.15	4.9	5.62	0.5	1.87	5.78	0.75
	Max.	22.75	8.81	13.94	6.33	5.08	3.54	6.16	7.83	5.46	1.35	4.96	5.7	-	2.13	6.04	1.05

NOTES

1. All dimensions are in millimetres.
2. Measurement point for plating thickness = 4 ± 1 mm.
3. ØF and ØG to be concentric within 0.1 TIR.
4. Inspection hole shall only penetrate one wall of crimp barrel.

VARIANT 19 (MALE CONTACT)

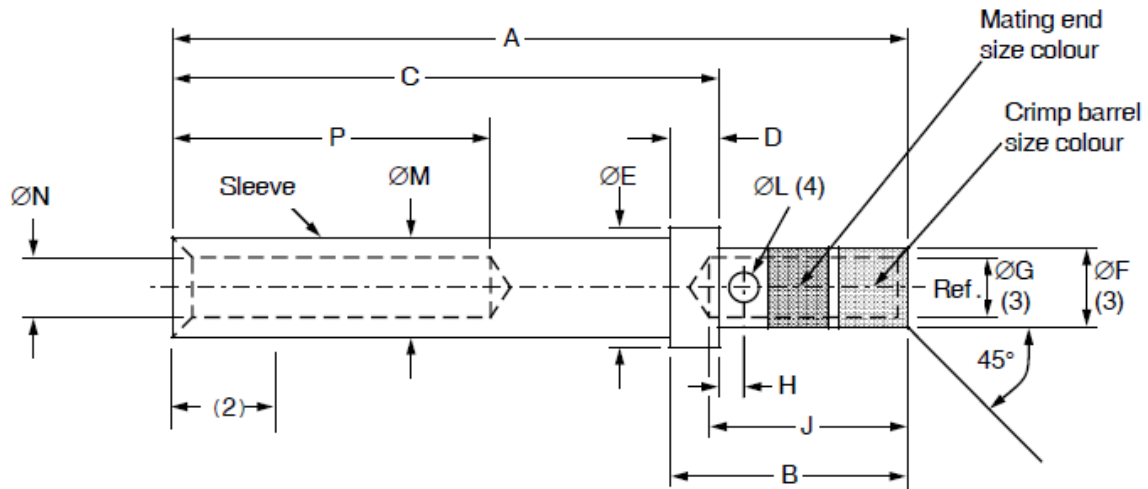


Variant	Dimensions	A	B	C	ØE	ØF	ØG	ØI	J	ØK	ØL	ØN	R	T	V	W
19	Min.	-	8.47	13.79	6.25	5.62	4.51	6.08	7.15	5.26	1.15	4.9	-	1.41	6.13	0.75
	Max.	22.75	8.81	13.94	6.33	5.7	4.6	6.16	7.65	5.46	1.35	4.96	0.5	1.53	6.59	1.05

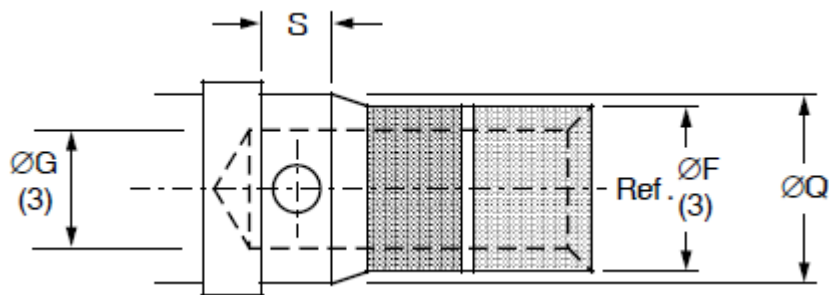
NOTES

1. All dimensions are in millimetres.
2. Measurement point for plating thickness = 4 ± 1 mm.
3. ØF and ØG to be concentric within 0.1 TIR.
4. Inspection hole shall only penetrate one wall of the solder barrel.

VARIANTS 02, 04, 06, 08, 10, 12, 14 (FEMALE CONTACT)



CONDUCTOR BARREL SHAPE FOR VARIANTS 06, 10, 12, 14

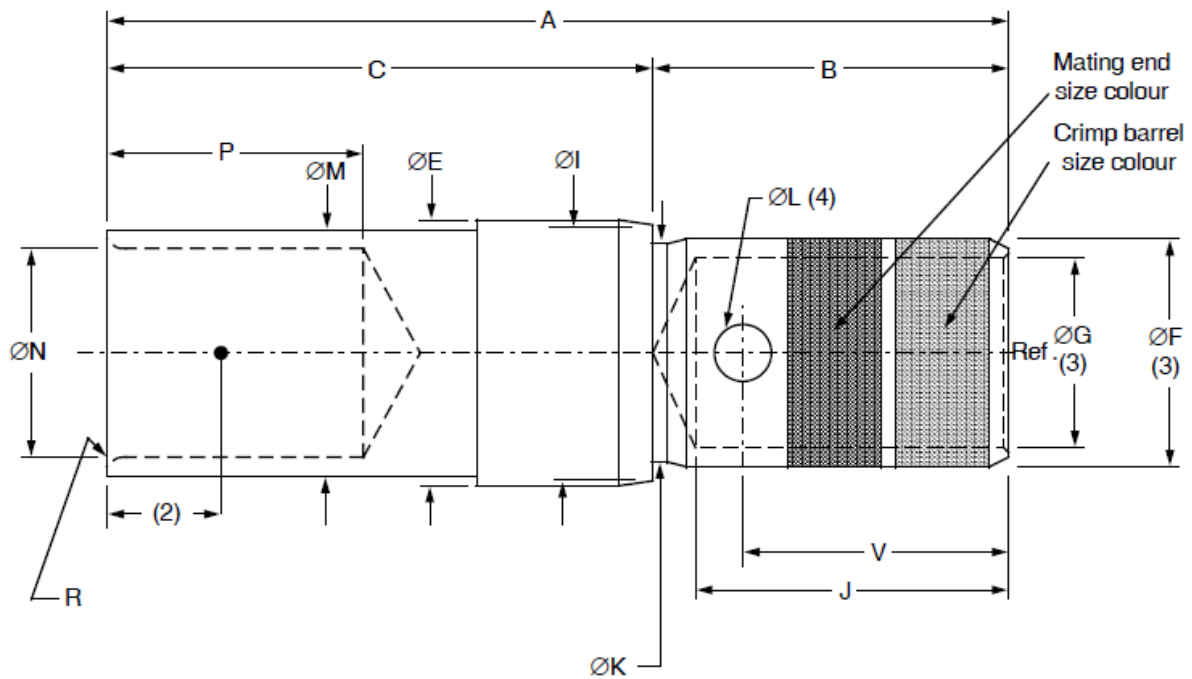


Variant	Dimensions	A	B	C	D	ØE	ØF	ØG	H	J	ØL	ØM	ØN	P	ØQ	S
02	Min.	-	4.82	12.17	0.74	2.53	1.92	1.21	0.63	4.07	0.67	1.92	1.06	8.4	-	-
	Max.	16.76	5.18	12.32	0.84	2.61	1.98	1.27	0.89	4.67	0.81	1.98	1.12	9.4	-	-
04	Min.	-	4.82	12.17	0.74	2.53	1.92	1.31	0.63	4.07	0.67	1.92	1.06	8.4	-	-
	Max.	16.76	5.18	12.32	0.84	2.61	1.98	1.37	0.89	4.67	0.81	1.98	1.12	9.4	-	-
06	Min.	-	4.82	12.17	0.74	2.53	1.44	0.61	0.63	4.07	0.67	1.92	1.06	8.4	1.92	1.27
	Max.	16.76	5.18	12.32	0.84	2.61	1.49	0.67	0.89	4.67	0.81	1.98	1.12	9.4	1.98	1.52
08	Min.	-	7.36	12.55	1.12	3.3	2.56	1.65	0.63	6.35	0.9	2.79	1.65	8.4	-	-
	Max.	19.33	7.75	12.7	1.22	3.38	2.62	1.73	0.89	7.21	1.07	2.87	1.73	9.4	-	-
10	Min.	-	7.36	12.55	1.12	3.3	1.92	1.21	0.63	6.35	0.9	2.79	1.65	8.4	2.56	1.27
	Max.	19.33	7.75	12.7	1.22	3.38	1.98	1.27	0.89	7.21	1.07	2.87	1.73	9.4	2.62	1.52
12	Min.	-	7.36	12.55	1.12	4.75	3.76	2.49	0.63	6.35	0.9	4.01	2.46	8.4	3.94	1.27
	Max.	19.33	7.75	12.7	1.22	4.83	3.83	2.59	0.89	7.21	1.07	4.09	2.54	9.4	4.01	1.52
14	Min.	-	7.36	12.55	1.12	4.75	2.56	1.65	0.63	6.35	0.9	4.01	2.46	8.4	3.94	1.27
	Max.	19.33	7.75	12.7	1.22	4.83	2.62	1.73	0.89	7.21	1.07	4.09	2.54	9.4	4.01	1.52

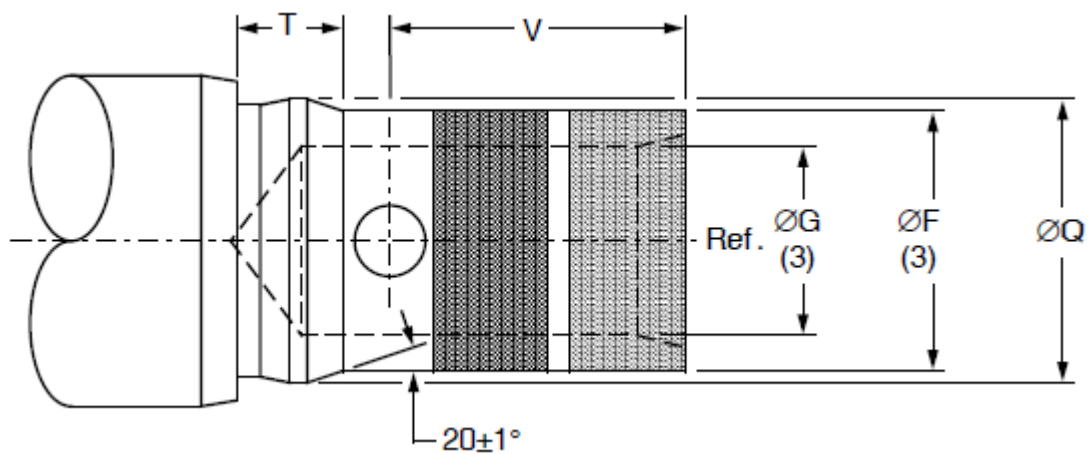
NOTES

1. All dimensions are in millimetres.
2. Measurement point for plating thickness = 2 ± 1 mm.
3. ØF and ØG to be concentric within 0.1 TIR.
4. Inspection hole shall only penetrate one wall on the crimp barrel.

VARIANTS 16, 18 (FEMALE CONTACT)



CONDUCTOR BARREL SHAPE FOR VARIANT 18

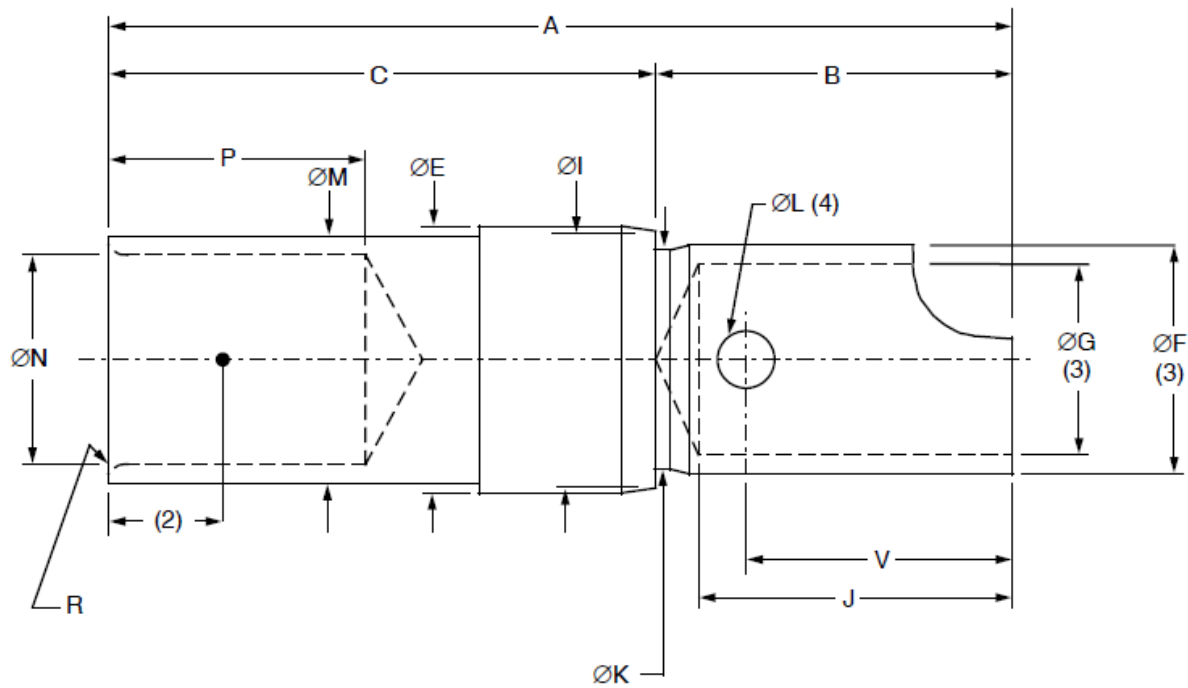


Variant	Dimensions	A	B	C	ØE	ØF	ØG	ØI	J	ØK	ØL	ØM	ØN	P	ØQ	R	T	V
16	Min.	-	8.47	13.09	6.25	5.62	4.51	6.08	7.03	5.26	1.15	6.17	4.98	6.21	-	0.12	-	6.13
	Max.	22.02	8.81	13.21	6.33	5.7	4.6	6.16	7.83	5.46	1.35	6.21	5.08	6.75	-	-	-	6.59
18	Min.	-	8.47	13.09	6.25	4.96	3.45	6.08	7.03	5.26	1.15	6.17	4.98	6.21	5.62	0.12	1.87	5.78
	Max.	22.02	8.81	13.21	6.33	5.08	3.54	6.16	7.83	5.46	1.35	6.21	5.08	6.75	5.7	-	2.13	6.04

NOTES

1. All dimensions are in millimetres.
2. Measurement point for plating thickness = 4 ±1mm.
3. ØF and ØG to be concentric within 0.1 TIR.
4. Inspection hole shall only penetrate one wall of crimp barrel.

VARIANT 20 (FEMALE CONTACT)



Variant	Dimensions	A	B	C	ØE	ØF	ØG	ØI	J	ØK	ØL	ØM	ØN	P	R	V
20	Min.	-	8.47	13.09	6.25	5.62	4.51	6.08	7.15	5.26	1.15	6.17	4.98	6.21	0.12	6.13
	Max.	22.02	8.81	13.21	6.33	5.7	4.6	6.16	7.65	5.46	1.35	6.21	5.08	6.75	-	6.65

NOTES

1. All dimensions are in millimetres.
2. Measurement point for plating thickness = 4 ± 1 mm.
3. ØF and ØG to be concentric within 0.1 TIR.
4. Inspection hole shall only penetrate one wall of the solder barrel.

4 REQUIREMENTS

4.1 GENERAL

The complete requirements for procurement of the contacts specified herein shall be as stated in this specification and ESCC Generic Specification No. 3401. Deviations from the Generic Specification, applicable to this specification only, are listed in Para. 4.2.

Deviations from the applicable Generic Specification and this Detail Specification, formally agreed with specific Manufacturers on the basis that the alternative requirements are equivalent to the ESCC requirements and do not affect the components` reliability, are listed in the appendices attached to this specification.

4.2 DEVIATIONS FROM GENERIC SPECIFICATION

4.2.1 Deviations from Special In-process Controls

None.

4.2.2 Deviations from Final Production Tests (Chart II)

None.

4.2.3 Deviations from Burn-in and Electrical Measurements (Chart III)

Chart III is not applicable.

4.2.4 Deviations from Qualification Tests (Chart IV)

(a) Para. 9.31, Solderability: Not applicable for Variants 01 to 18.

4.2.5 Deviations from Lot Acceptance Tests (Chart V)

(a) Para. 9.31, Solderability: Not applicable for Variants 01 to 18.

4.3 MECHANICAL REQUIREMENTS

4.3.1 Dimension Check

The dimensions of the contacts specified herein shall be checked and conform to those shown in Figure 2.

4.3.2 Weight

The maximum weight of the contacts specified herein shall conform to the requirements of Table 1(a).

4.3.3 Contact Capability

For the purpose of this test, the pick-up and drop weights shall be as specified in Table 1(a).

4.3.4 Contact Retention (In Insert)

The contact retention within the insert shall be as specified in Table 1(a).

4.3.5 Mating and Unmating Forces

As specified in ESCC Detail Specification Nos. [3401/007](#) and [3401/008](#).

- 4.3.6 Insert Retention (In Shell)
As specified in ESCC Detail Specification Nos. [3401/007](#) and [3401/008](#).
- 4.3.7 Jackscrew Retention
As specified in ESCC Detail Specification Nos. [3401/007](#) and [3401/008](#).
- 4.3.8 Contact Insertion and Withdrawal Forces
The contact insertion and withdrawal forces shall be as specified in Table 1(a).
- 4.3.9 Engagement and Separation Forces
The diameter of the test pin and the contact engagement and separation force of the female contacts shall be as specified in Table 1(a).
- 4.3.10 Oversize Pin Exclusion
The diameter of the test pin and the force applied to it shall be as specified in Table 1(a).
- 4.3.11 Probe Damage
The probe diameter and the moment at the end of the probe shall be as specified in Table 1(a).
- 4.3.12 Solderability
Size A soldering iron shall be used. Only applicable to Variants 19 and 20.
- 4.4 MATERIALS AND FINISHES
The materials and finishes shall be as specified herein. Where a definite material is not specified, a material which will enable the contacts specified herein to meet the performance requirements of this specification shall be used. Acceptance or approval of any constituent material does not guarantee acceptance of the finished product.
- 4.4.1 Shell, Coupling Ring and Nut
As specified in ESCC Detail Specification Nos. [3401/007](#) and [3401/008](#).
- 4.4.2 Inserts
As specified in ESCC Detail Specification Nos. [3401/007](#) and [3401/008](#).
- 4.4.3 Contacts
- 4.4.3.1 *Body*
The contact body shall be made of copper base alloy selected from raw materials with a minimum of impurities. It shall be plated as follows:
- 1.27µm minimum gold plate in accordance with MIL-G-45204 Type II Grade C over 1.5µm minimum nickel plate over 4 to 5.1µm copper plate in accordance with MIL-C-14550.
- 4.4.3.2 *Sleeves*
The sleeves of female contact variants 02, 04, 06, 08, 10, 12, 14 shall be made of stainless steel. The sleeves of female contact variants 16, 18, 20 shall be made of nickel-copper alloy Monel.
- 4.4.4 Contact Retaining Clip
As specified in ESCC Detail Specification Nos. [3401/007](#) and [3401/008](#).
- 4.4.5 Guiding and Locking Devices
Not applicable.

4.4.6 Magnetism Level

As specified in ESCC Detail Specification Nos. [3401/007](#) and [3401/008](#).

4.5 MARKING

4.5.1 General

The marking of all components delivered to this specification shall be in accordance with the requirements of ESCC Basic Specification No. [21700](#) and the following paragraphs. These components being too small to accommodate the marking, the marking requirements in full shall accompany each lot of components in its primary package.

Such marking shall comprise:

- (a) The ESCC Component Number.
- (b) Traceability Information.

4.5.2 The ESCC Component Number

The ESCC Component Number shall be constituted and marked as follows:

Example: 340100902B

- Detail Specification Number: 3401009
- Type Variant (see Table 1(a)): 02
- Testing Level: B

4.5.3 Traceability Information

Traceability information shall be marked in accordance with the requirements of ESCC Basic Specification No. [21700](#).

4.6 ELECTRICAL MEASUREMENTS

4.6.1 Electrical Measurements at Room Temperature

The parameters to be measured in respect of electrical characteristics are listed in Table 2. Unless otherwise specified, the measurements shall be performed at $T_{amb} = +22 \pm 3^{\circ}\text{C}$.

4.6.2 Electrical Measurements at High and Low Temperatures (Table 3)

Not applicable.

4.6.3 Circuits for Electrical Measurements (Figure 4)

Not applicable.

4.7 SCREENING TESTS (TABLES 4 AND 5)

Not applicable.

TABLE 2 - ELECTRICAL MEASUREMENTS AT ROOM TEMPERATURE

No.	Characteristics	Symbol	Spec. and/or Test Method	Test Conditions	Variants	Limits		Unit
						Min.	Max.	
1	Contact Resistance (Low Level Current)	Rcl	ESCC No. 3401 Para. 9.1.1.3	Para. 9.1.1.3	All	-	9	mΩ
2	Contact Resistance (Rated Current)	Rcr	ESCC No. 3401 Para. 9.1.1.3	Para. 9.1.1.3				mΩ
					Variants 01 to 06	-	8	
					Variants 07 to 14	-	6	
					Variants 15 to 20	-	1	

TABLES 3, 4 AND 5

Not applicable.

4.8 ENVIRONMENTAL AND ENDURANCE TESTS (CHARTS IV AND V OF ESCC GENERIC SPECIFICATION No. 3401)

4.8.1 Measurements and Inspections on Completion of Environmental Tests

The parameters to be measured and inspections to be performed on completion of environmental testing are scheduled in Table 6. Unless otherwise specified, the measurements shall be performed at $T_{amb} = +22 \pm 3^{\circ}\text{C}$.

4.8.2 Measurements and Inspections at Intermediate Points during Endurance Tests

Not applicable.

4.8.3 Measurements and Inspections on Completion of Endurance Tests

The parameters to be measured and inspections to be performed on completion of endurance tests shall be those specified in Table 6. Unless otherwise specified, the measurements shall be performed at $T_{amb} = +22 \pm 3^{\circ}\text{C}$.

4.8.4 Conditions for Operating Life Tests (Part of Endurance Testing)

Not applicable.

4.8.5 Electrical Circuits for Operating Life Tests

Not applicable.

4.8.6 Conditions for High Temperature Storage Test (Part of Endurance Testing)

Not applicable.

TABLE 6 - MEASUREMENTS AND INSPECTIONS ON COMPLETION OF ENVIRONMENTAL AND ENDURANCE TESTING

No.	ESCC Generic No. 3401		Measurements And Inspections		Symbol	Limits		Unit
	Environmental and Endurance Tests (1)	Test Method And Conditions	Identification	Conditions		Min.	Max.	
05	Seal Test	Para. 9.9	ESCC 3401/007 or 3401/008	-	-	-	-	
02	Wiring	Para. 9.10 & Table 1(a) of this spec.	Low Level Contact Resistance	Table 2 Item 1	Rcl	Table 2 Item 1		
03	Vibration	Para. 9.11	ESCC 3401/007 or 3401/008	-	-	-	-	
04	Shock or Bump	Para. 9.12	ESCC 3401/007 or 3401/008	-	-	-	-	
05	Climatic Sequence	Para. 9.13	ESCC 3401/007 or 3401/008	-	-	-	-	
06	Plating Thickness	Para. 9.14	Thickness	-	-	Para. 4.4.3 of this spec.		
07	Joint Strength	Para. 9.15	ESCC 3401 Para. 9.15	-	-	-	-	
08	Rapid Change of Temperature	Para. 9.16	ESCC 3401/007 or 3401/008	-	-	-	-	
09	Contact Retention (in insert)	Para. 9.17 & Para. 4.3.4 of this spec.	Contact Displacement	-	-	ESCC 3401 Para. 9.17		
10	Endurance	Para. 9.18	Initial Low Level Contact Resistance	Table 2 Item 1	Rcl	Record Values		mΩ
			Final Low Level Contact Resistance Drift	Table 2 Item 1	ΔRcl	-	3	
11	Permanence of Marking	Para. 9.19	As applicable	-	-	-	-	
12	Mating/Unmating Forces	Para. 9.20	ESCC 3401/007 or 3401/008	-	-	-	-	
13	High Temperature Storage	Para. 9.21	Initial Low Level Contact Resistance	Table 2 Item 1	Rcl	Record Values		mΩ
			Final Low Level Contact Resistance Drift	Table 2 Item 1	ΔRcl	-	3	
			Rated Current Contact Resistance	Table 2 Item 2	Rcr	Table 2 Item 2		
			Contact Retention (In Insert)	Para. 4.3.4 of this spec.	-	ESCC 3401 Para. 9.17		
14	Corrosion	Para. 9.22	Visual Examination	-	-	-	-	
15	Insert Retention (in shell)	Para. 9.23 & Para. 4.3.6 of this spec.	ESCC 3401/007 or 3401/008	-	-	-	-	

No.	ESCC Generic No. 3401		Measurements And Inspections		Symbol	Limits		Unit
	Environmental and Endurance Tests (1)	Test Method And Conditions	Identification	Conditions		Min.	Max.	
16	Jackscrew Retention	Para. 9.24 & Para. 4.3.7 of this spec.	ESCC 3401/007 or 3401/008	-	-	-	-	
17	High Temperature Measurements	Para. 9.25	ESCC 3401/007 or 3401/008	-	-	-	-	
18	Overload Test	Para. 9.26	Rated Current Contact Resistance	Table 2 Item 2	Rcr	Table 2 Item 2		
19	Maintenance Aging	Para. 9.27	Visual Examination Contact Retention Contact Insertion & Withdrawal Forces	- Para. 4.3.4 of this spec. Para. 4.3.8 of this spec.	- - -	-	- ESCC 3401 Para. 9.17 Para. 4.3.8	
20	Engage/Separation Forces	Para. 9.28 & Para. 4.3.9 of this spec.	Force	-	F	Para. 4.3.9		
21	Oversize Pin Exclusion	Para. 9.29 & Para. 4.3.10 of this spec.	-	-	-	ESCC 3401 Para. 9.29		
22	Probe Damage	Para. 9.30 & Para. 4.3.11 of this spec.	Contact Separation Force	Para. 4.3.9 of this spec.	F	Para. 4.3.9		
23	Solderability	Para. 9.31 & Paras. 4.2.4 and 4.2.5 of this spec.	-	Para. 4.3.12 of this spec.		ESCC 3401 Para. 9.31		

NOTES

1. The tests in this table refer to either Chart IV or V and shall be used as applicable.