



Page 1 of 31

**RF COAXIAL CONNECTORS, TYPE TNC, 50 OHMS  
ADAPTORS AND CONNECTING PIECES**

**ESCC Detail Specification No. 3402/010**

Issue 3	March 2018
---------	------------



Document Custodian: European Space Agency – see <https://escies.org>

### **LEGAL DISCLAIMER AND COPYRIGHT**

European Space Agency, Copyright © 2018. All rights reserved.

The European Space Agency disclaims any liability or responsibility, to any person or entity, with respect to any loss or damage caused, or alleged to be caused, directly or indirectly by the use and application of this ESCC publication.

This publication, without the prior permission of the European Space Agency and provided that it is not used for a commercial purpose, may be:

- copied in whole, in any medium, without alteration or modification.
- copied in part, in any medium, provided that the ESCC document identification, comprising the ESCC symbol, document number and document issue, is removed.

**DOCUMENTATION CHANGE NOTICE**

(Refer to <https://escies.org> for ESCC DCR content)

DCR No.	CHANGE DESCRIPTION
1100	Specification upissued to incorporate changes per DCR.

**TABLE OF CONTENTS**

1	GENERAL	6
1.1	SCOPE	6
1.2	TYPE VARIANTS	6
1.3	MAXIMUM RATINGS	6
1.4	PARAMETER DERATING INFORMATION (FIGURE 1)	6
1.5	PHYSICAL DIMENSIONS	6
1.6	STANDARD TEST CONNECTOR INTERFACE	6
2	APPLICABLE DOCUMENTS	19
3	TERMS, DEFINITIONS, ABBREVIATIONS, SYMBOLS AND UNITS	19
4	REQUIREMENTS	19
4.1	GENERAL	19
4.2	DEVIATIONS FROM GENERIC SPECIFICATION	19
4.2.1	Deviations from Special In-process Controls	19
4.2.2	Deviations from Final Production Tests (Chart II)	19
4.2.3	Deviations from Burn-in Tests (Chart III)	19
4.2.4	Deviations from Qualification Tests (Chart IV)	19
4.2.5	Deviations from Lot Acceptance Tests (Chart V)	19
4.3	MECHANICAL REQUIREMENTS	19
4.3.1	Dimension Check	19
4.3.2	Weight	20
4.3.3	Coupling Proof Torque	20
4.3.4	Cable Retention Force	20
4.3.5	Mating and Unmating Forces	20
4.3.6	Endurance	20
4.3.7	Residual Magnetism	20
4.3.7.1	Beryllium copper, nickel underplate, gold-plated connectors.	20
4.3.7.2	Stainless steel connectors	20
4.3.8	Contact Engagement and Separation Forces	20
4.3.9	Contact Retention	21
4.4	MATERIALS AND FINISHES	21
4.4.1	Shell, Coupling Nut	21
4.4.2	Centre Contact	21
4.4.3	Inserts	21
4.4.4	Gaskets	21
4.4.5	Accessories	21
4.5	MARKING	22
4.5.1	General	22

4.5.2	The ESCC Component Number	22
4.5.3	Characteristics	22
4.5.3.1	Variants of Fixed Configuration	22
4.5.3.2	Variants where Dimensions A and B of Figure 2(b) are Indicated by a Maximum Only	22
4.5.3.3	Type of Plating/Material	23
4.5.3.4	Length Values	23
4.5.3.5	Tolerance	23
4.5.4	Traceability Information	23
4.5.5	Marking of Small Components	23
4.6	ELECTRICAL MEASUREMENTS	23
4.6.1	Electrical Measurements at Room Temperature	23
4.6.2	Electrical Measurements at High and Low Temperatures (Table 3)	23
4.6.3	Circuits for Electrical Measurements	23
4.7	BURN-IN TESTS (TABLES 4 AND 5)	24
4.8	ENVIRONMENTAL AND ENDURANCE TESTS	24
4.8.1	Measurements and Inspections on Completion of Environmental Tests	24
4.8.2	Measurements and Inspections at Intermediate Points during Endurance Tests	24
4.8.3	Measurements and Inspections on Completion of Endurance Tests	24
4.8.4	Conditions for Operating Life Tests (Part of Endurance Testing)	24
4.8.5	Electrical Circuits for Operating Life Tests	24
4.8.6	Conditions for High Temperature Storage Test (Part of Endurance Testing)	24

## 1 GENERAL

### 1.1 SCOPE

This specification details the ratings, physical and electrical characteristics, test and inspection data for RF Coaxial Connectors, Type TNC, 50 Ohms, Adaptors and Connecting Pieces. It shall be read in conjunction with ESCC Generic Specification No. [3402](#), the requirements of which are supplemented herein.

### 1.2 TYPE VARIANTS

A list of the type variants of the connectors specified herein, which are also covered by this specification, is given in Table 1(a).

For each type variant, the full electrical and physical characteristics are given in individual Figures 2(b) at the end of this specification.

### 1.3 MAXIMUM RATINGS

The maximum ratings, which shall not be exceeded at any time during use or storage, applicable to the connectors specified herein, are as scheduled in Table 1.

### 1.4 PARAMETER DERATING INFORMATION (FIGURE 1)

The derating information applicable to the connectors specified herein is shown in Figure 1.

### 1.5 PHYSICAL DIMENSIONS

The physical dimensions of the connectors specified herein are shown in Figures 2(a) and 2(b).

### 1.6 STANDARD TEST CONNECTOR INTERFACE

Whenever gauges are required for mating with the connectors under test, their physical dimensions shall be in accordance with those specified in Figure 3.

**TABLE 1(a) - TYPE VARIANTS**

Variant	Description
01	Straight Adaptor, Male - Male
02	Straight Adaptor, Male - Female
03	Straight Adaptor, Female - Female
04	Straight Bulkhead Adaptor, Female - Female
05	Short Circuit Coupling Nut, Male

**NOTES**

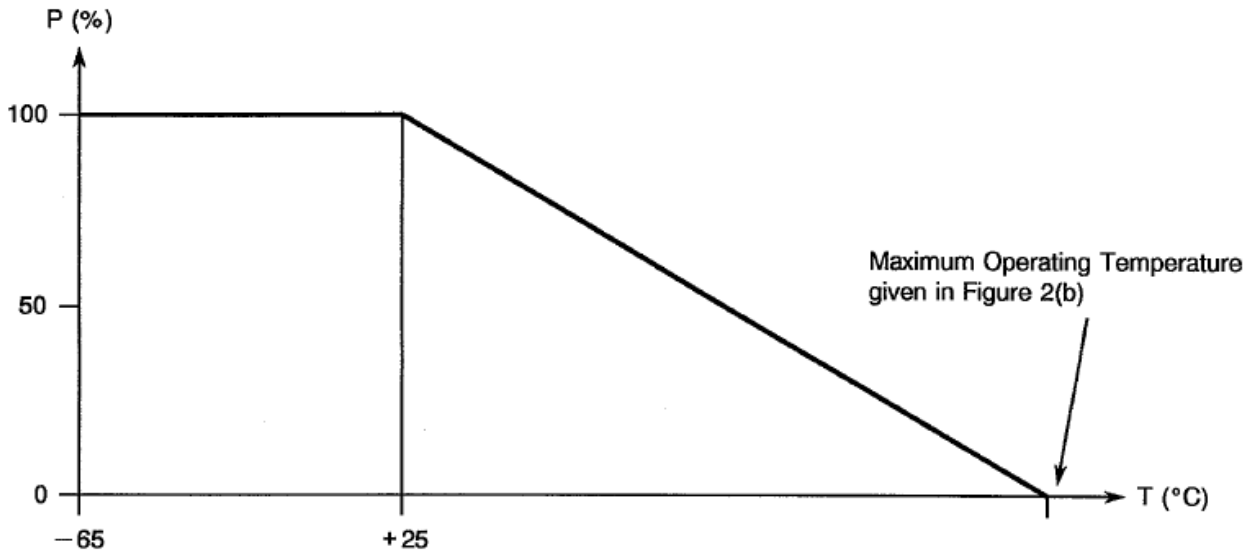
1. The Variants are described in Figure 2(b).
2. For finishes, see Para. 4.4.

**TABLE 1(b) - MAXIMUM RATINGS**

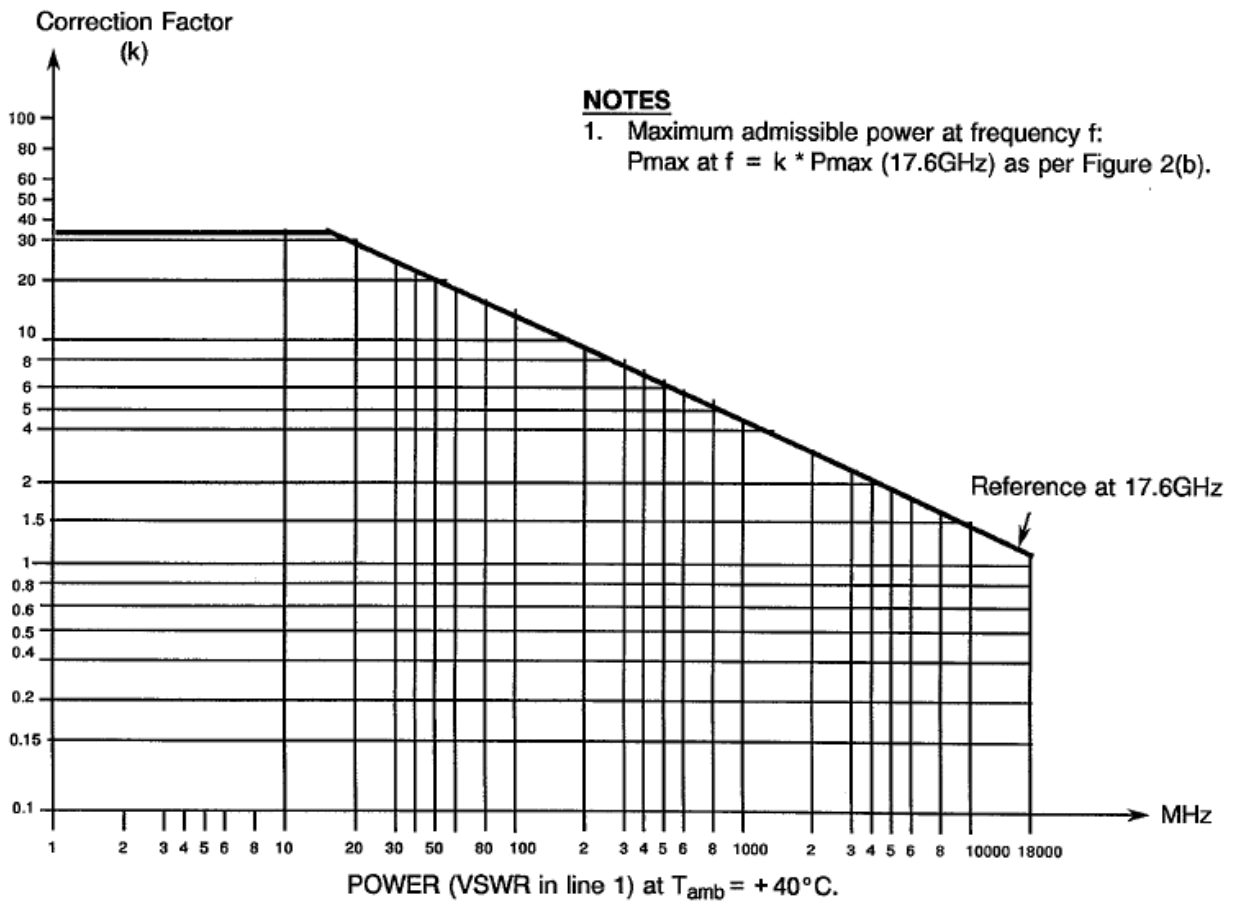
No.	Characteristics	Symbol	Maximum ratings	Unit	Remarks
1	Peak Power at + 25°C	P <sub>max</sub>	20	kW	1μs max.
2	Power	P	See Figure 2(b)	kW	See Figures 1(a), 1(b) and 1(c)
3	Nominal Impedance	Z	50	Ω	-
4	Frequency Range	f	See Figure 2(b)	GHz	-
5	Operating Voltage	V <sub>op</sub>	500	V <sub>rms</sub>	-
6	Operating Temperature Range	T <sub>op</sub>	See Figure 2(b)	°C	-
7	Storage Temperature Range	T <sub>stg</sub>	As per Operating Temperature Range	°C	-

**FIGURE 1 - PARAMETER DERATING INFORMATION**

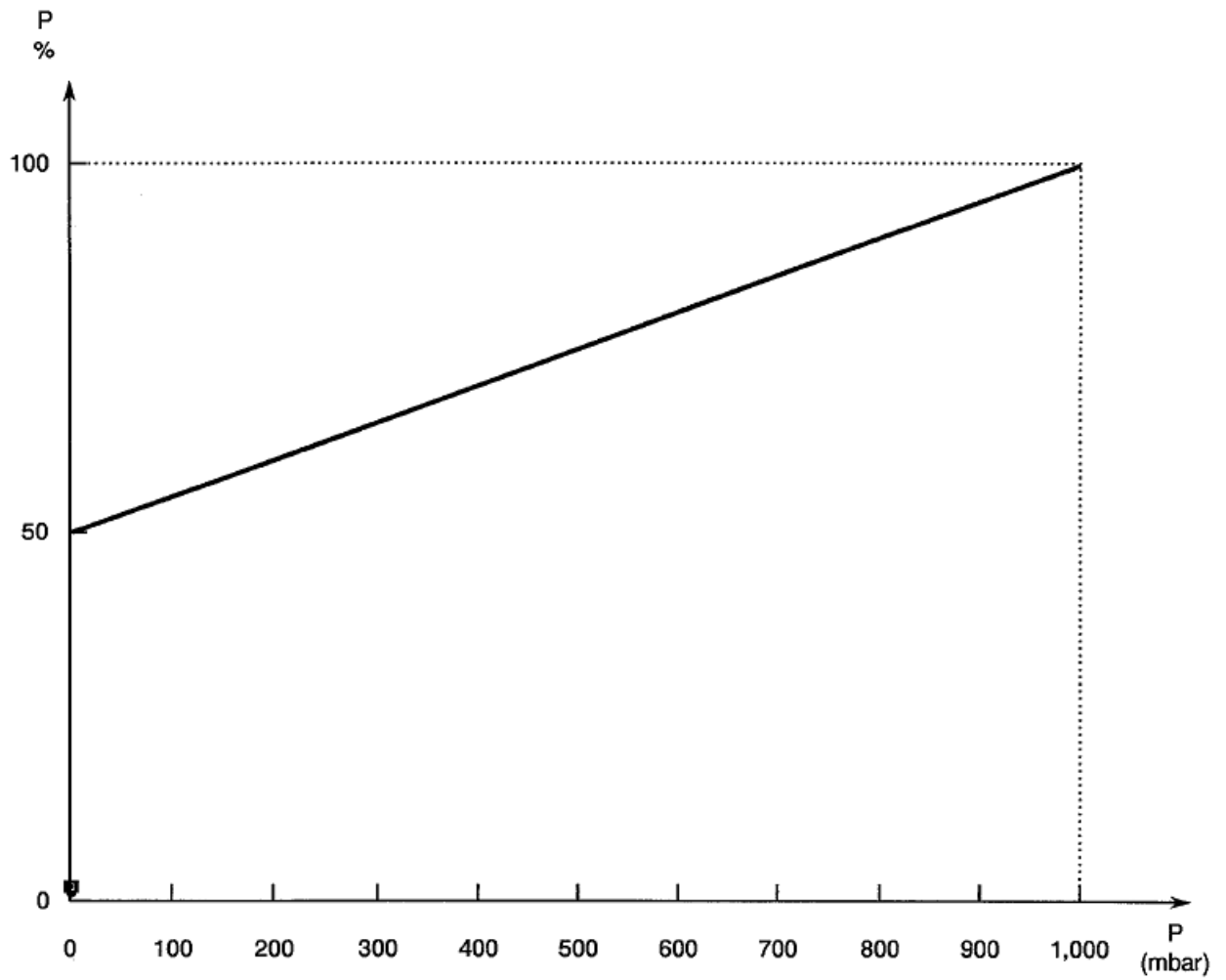
**FIGURE 1(a) - POWER VERSUS TEMPERATURE**



**FIGURE 1(b) - POWER VERSUS FREQUENCY**

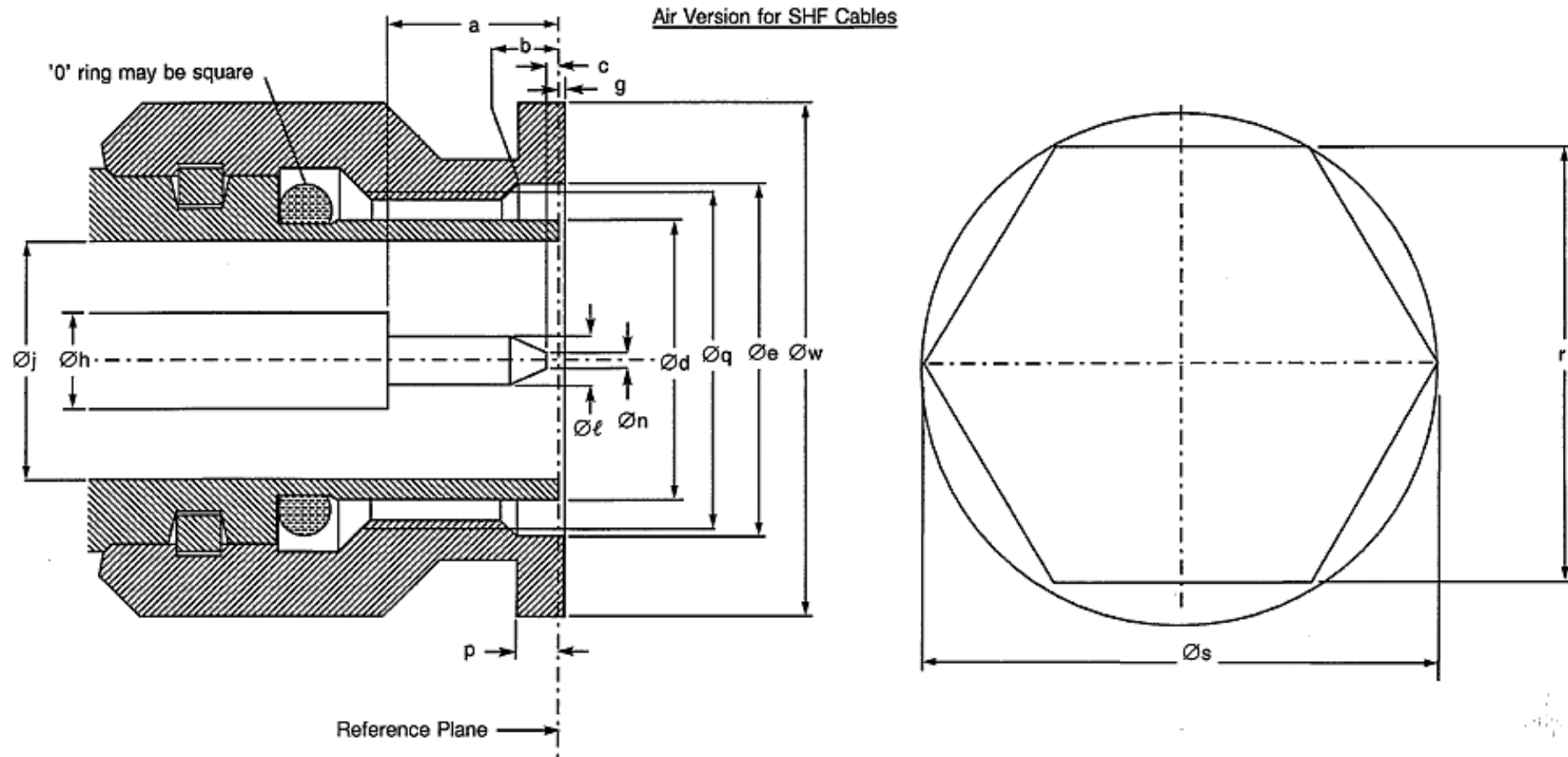




**FIGURE 1 – PARAMETER DERATING INFORMATION (CONTINUED)**FIGURE 1(c) - POWER VERSUS PRESSURE

**FIGURE 2 - PHYSICAL DIMENSIONS**

**FIGURE 2(a) - CONNECTOR INTERFACE, MALE CONTACT**



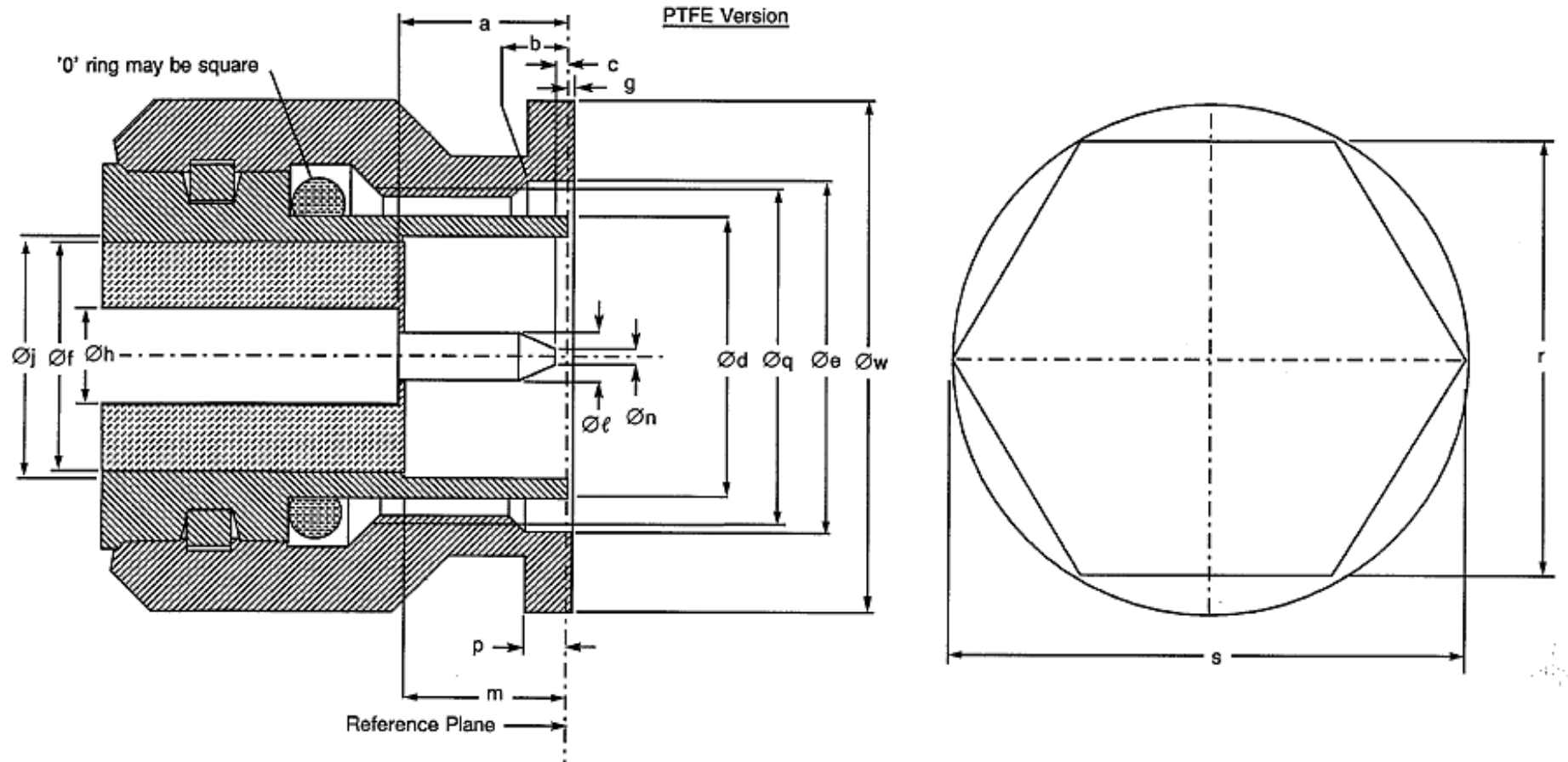
**FIGURE 2 – PHYSICAL DIMENSIONS (CONTINUED)**

**FIGURE 2(a) – CONNECTOR INTERFACE, MALE CONTACT (CONTINUED)**

Symbol	Millimetres		Notes
	Min.	Max.	
a	5.35	5.5	
b	1.5	2.4	
c	0.35	0.9	
Ød	8.03	8.09	
Øe	11.4	11.6	
g	-0.3	+0.55	
Øh	2.68	2.72	
Øj	6.18	6.22	
Øl	1.34	1.36	
Øn	0.35	0.65	
p	1.5	2.4	
Øq	7/16.28 UNEF 2B		
r	-	14	hexagon
Øs	-	16	
Øw	-	16	

**FIGURE 2 – PHYSICAL DIMENSIONS (CONTINUED)**

**FIGURE 2(a) – CONNECTOR INTERFACE, MALE CONTACT**



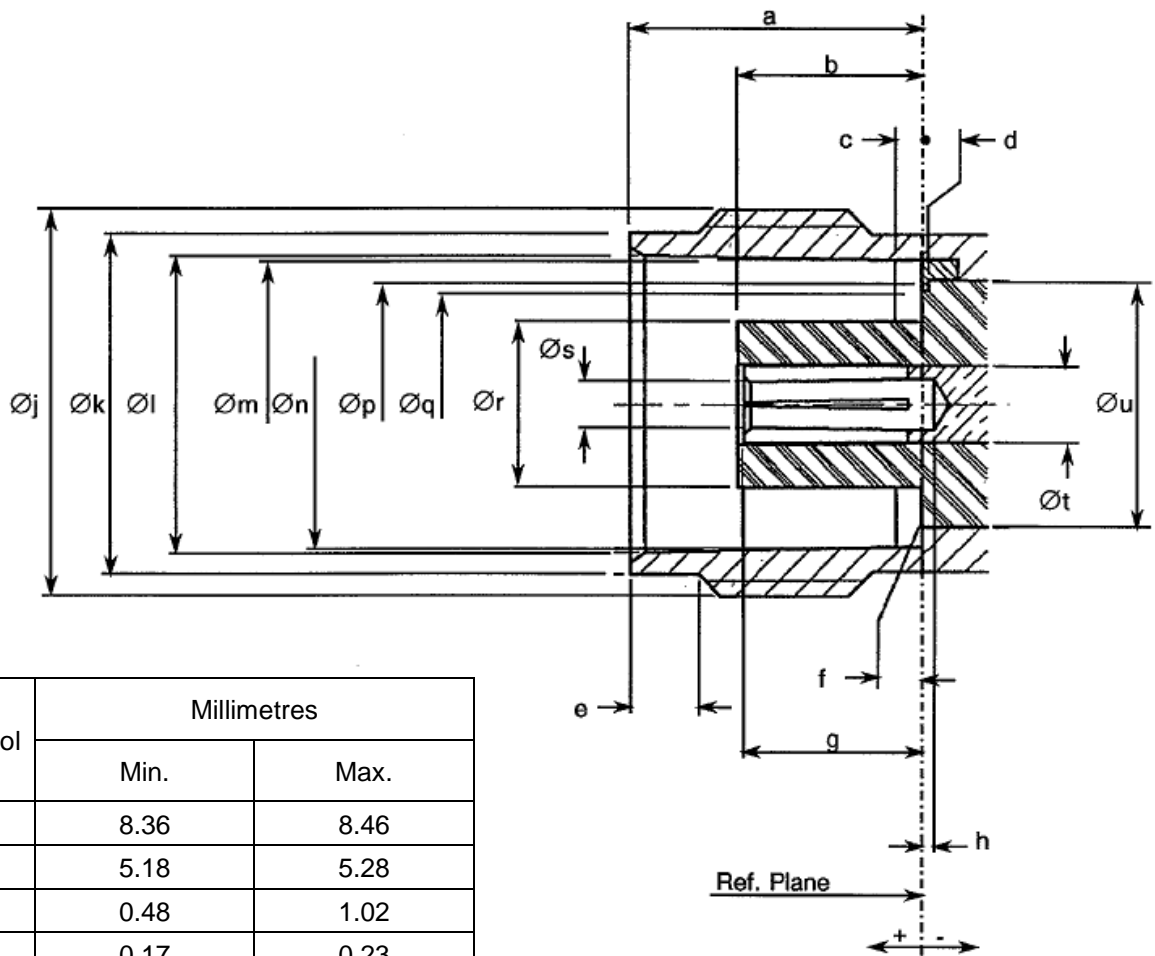
**FIGURE 2 – PHYSICAL DIMENSIONS (CONTINUED)**

**FIGURE 2(a) – CONNECTOR INTERFACE, MALE CONTACT (CONTINUED)**

Symbol	Millimetres		Notes
	Min.	Max.	
a	5.35	5.5	
b	1.5	2.4	
c	0.35	0.9	
Ød	8.03	8.09	
Øe	11.4	11.6	
Øf	5.28	5.32	
g	-0.3	+0.55	
Øh	1.62	1.66	
Øj	6.18	6.22	
Øl	1.34	1.36	
m	5.28	5.38	
Øn	0.35	0.65	
p	1.5	2.4	
Øq	7/16.28 UNEF 2B		
r	-	14	hexagon
Øs	-	16	
Øw	-	16	

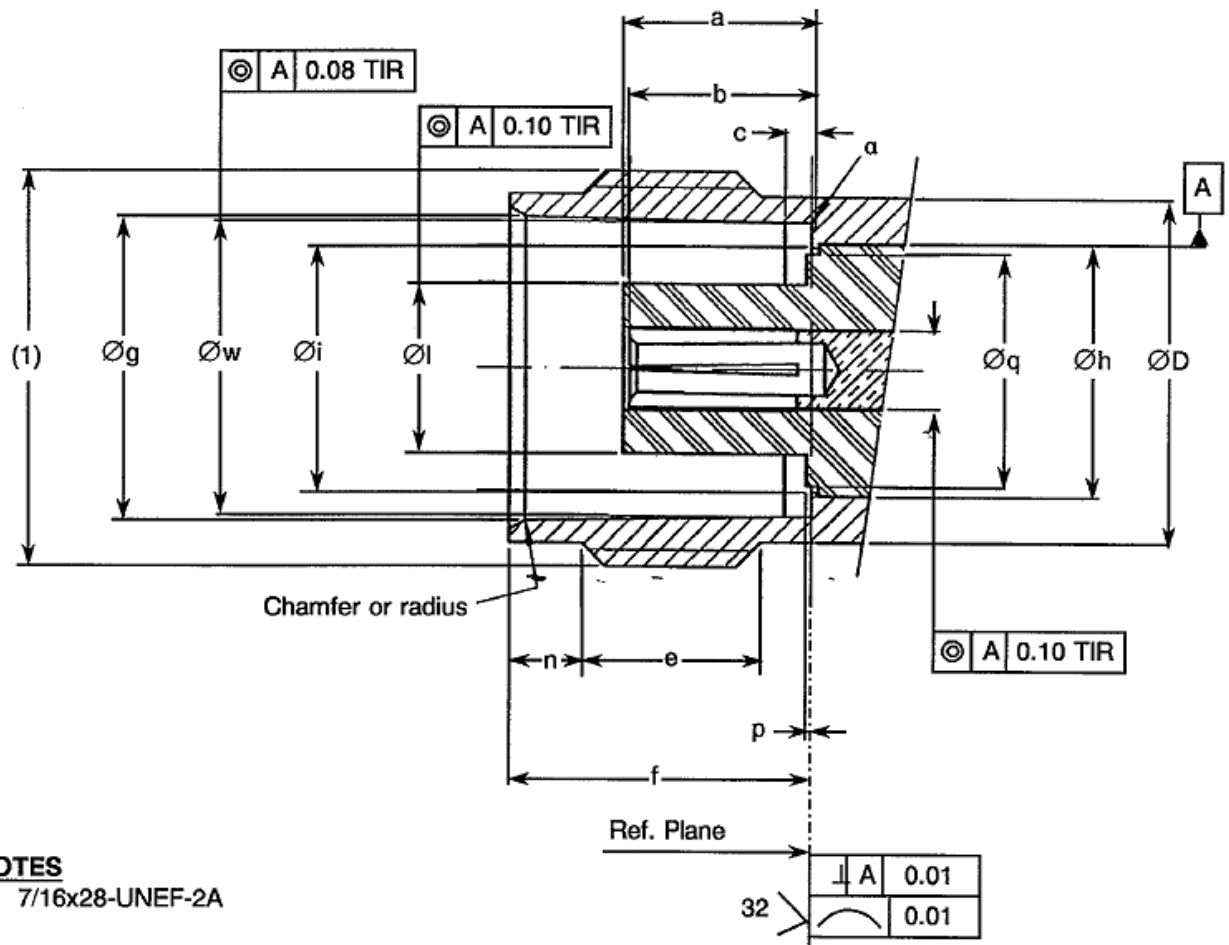
**FIGURE 2 – PHYSICAL DIMENSIONS (CONTINUED)**

**FIGURE 2(a) - CONNECTOR INTERFACE, FEMALE CONTACT**

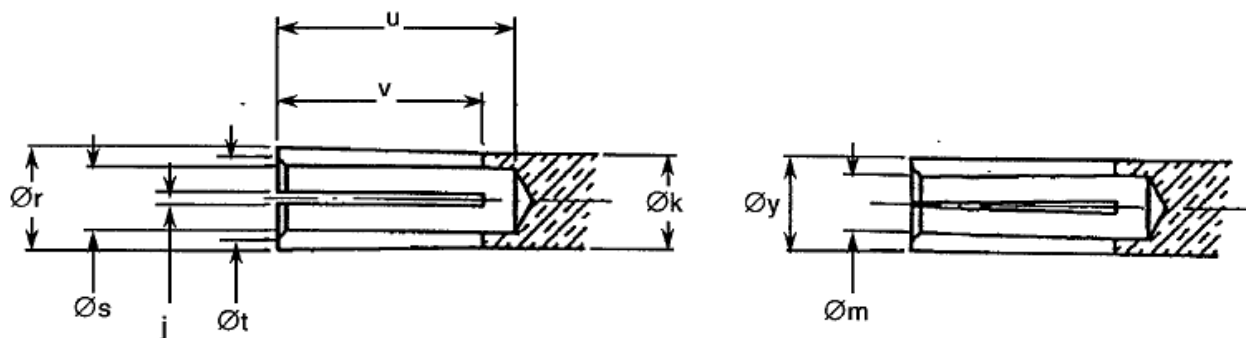


Symbol	Millimetres	
	Min.	Max.
a	8.36	8.46
b	5.18	5.28
c	0.48	1.02
d	0.17	0.23
e	1.80	2.20
f	-0.1	0.05
g	4.98	5.23
h	-0.72	+0.03
Øj	7/16.28 UNEF 2A	
Øk	9.61	9.68
Øl	9.32	9.46
Øm	8.09	8.14
Øn	8.10	8.15
Øp	6.73	6.78
Øq	6.05	6.15
Ør	4.68	4.72
Øs	1.43	1.47
Øt	2.14	2.18
Øu	6.975	7.025

**FIGURE 3 - STANDARD TEST CONNECTOR INTERFACE - FEMALE CONTACT**



Detail of Inner Contact

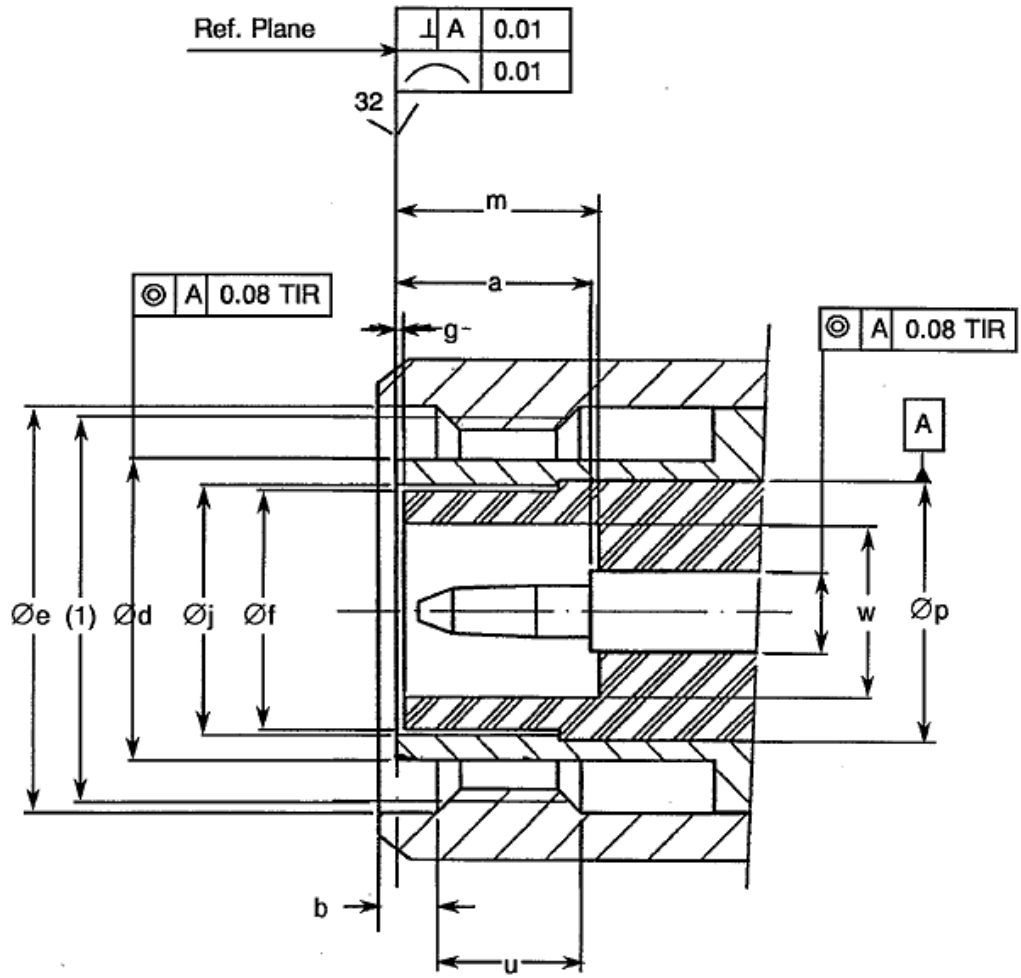


**FIGURE 3 – STANDARD TEST CONNECTOR INTERFACE – FEMALE CONTACT  
(CONTINUED)**

Symbol	Millimetres		Notes
	Min.	Max.	
a	5.21	5.28	Contact recess
b	5.08	5.28	Insert recess
c	0.51	1.02	Str. sect
ØD	9.6	9.68	
e	4.75	-	
f	8.36	8.46	
Øg	8.31	8.46	
Øh	6.99	7.01	
Øi	6.71	6.76	
j	0.26	0.34	4 slots / 90° apart
Øk	2.16	2.18	
Øl	4.67	4.72	
Øm	1.21	1.30	After ht. treatment
n	1.73	2.24	
p	0	0.15	
Øq	-	6.5	
Ør	2.45	2.48	
Øs	1.52	1.58	
Øt	1.68	1.88	90°
u	5.21	-	
v	4.75 typical		
Øw	8.1	8.15	
Øy	2.23	2.31	Mated with Ø1.36 pin, gauge over slotted portion only
α	-	0.1	Radius



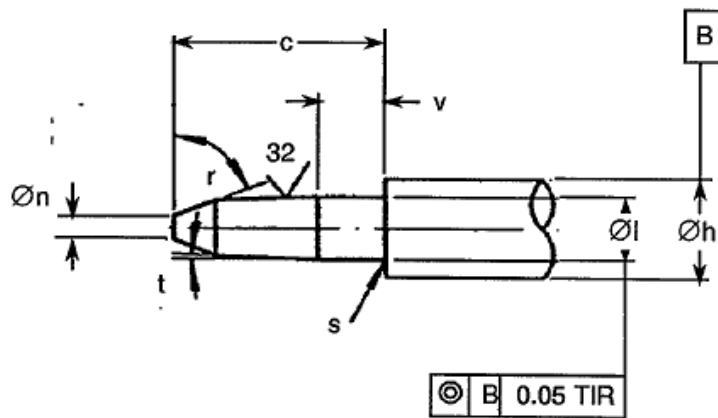
**FIGURE 3 - STANDARD TEST CONNECTOR INTERFACE - MALE CONTACT**



**NOTES**

1. 4375 -28UNEF-2B

Detail of inner Contact



**FIGURE 3 – STANDARD TEST CONNECTOR INTERFACE – MALE CONTACT (CONTINUED)**

Symbol	Millimetres		Notes
	Min.	Max.	
a	5.31	5.38	
b	1.6	-	
c	4.62	4.88	
Ød	8.06	8.09	
Øe	11.18	-	
Øf	6.6	6.65	
g	0.15	0.3	
Øh	2.16	2.18	
Øj	6.72	6.74	
Øl	1.35	1.37	
m	5.38	5.54	
Øp	6.99	7.01	
r	55°	65°	
s	-	0.13	Radius
t	1°	3°	
u	3.96	-	Full thread
v	1.4	1.65	
Øw	4.88	4.93	

## 2 APPLICABLE DOCUMENTS

The following documents form part of this specification and shall be read in conjunction with it:

- (a) ESCC Generic Specification No. 3402 for RF Coaxial Connectors.
- (b) MIL-G-45204, Gold Plating, Electrodeposited.

## 3 TERMS, DEFINITIONS, ABBREVIATIONS, SYMBOLS AND UNITS

For the purpose of this specification, the terms, definitions, abbreviations, symbols and units specified in ESCC Basic Specification No. 21300 shall apply.

## 4 REQUIREMENTS

### 4.1 GENERAL

The complete requirements for procurement of the connectors specified herein are stated in this specification and ESCC Generic Specification No. 3402. Deviations from the Generic Specification applicable to this specification only, are listed in Para. 4.2.

Deviations from the applicable Generic Specification and this Detail Specification, formally agreed with specific Manufacturers on the basis that the alternative requirements are equivalent to the ESCC requirements and do not affect the components' reliability, are listed in the appendices attached to this specification.

### 4.2 DEVIATIONS FROM GENERIC SPECIFICATION

#### 4.2.1 Deviations from Special In-process Controls

None.

#### 4.2.2 Deviations from Final Production Tests (Chart II)

- (a) Para. 9.4, Coupling Proof Torque: shall not be performed on connectors with a female contact (only during Chart II).

#### 4.2.3 Deviations from Burn-in Tests (Chart III)

Not applicable.

#### 4.2.4 Deviations from Qualification Tests (Chart IV)

- (a) Para. 9.14, Cable retention force: Not applicable.
- (b) Para. 9.15, Cabling and crimping capability: Not applicable.
- (c) Para. 9.22, Soldering Proof: Not applicable.

#### 4.2.5 Deviations from Lot Acceptance Tests (Chart V)

- (a) Para. 9.14, Cable retention force: Not applicable.
- (b) Para. 9.15, Cabling and crimping capability: Not applicable.

### 4.3 MECHANICAL REQUIREMENTS

#### 4.3.1 Dimension Check

The dimensions of the connectors specified herein shall be verified in accordance with the requirements set out in Para. 9.25 of ESCC Generic Specification No. 3402 and shall conform to those shown in Figures 2(a) and 2(b) of this specification.

#### 4.3.2 Weight

The maximum weight of the connectors specified herein shall be as specified in Figure 2(b).

#### 4.3.3 Coupling Proof Torque

The requirements for testing of the coupling proof torque are specified in Section 9 of ESCC Generic Specification No. 3402. The applied torque shall be 339N.cm.

#### 4.3.4 Cable Retention Force

Not applicable.

#### 4.3.5 Mating and Unmating Forces

The applicable measurement requirements are specified in Section 9 of ESCC Generic Specification No. 3402. The maximum torque during mating and unmating shall not exceed 22.6N.cm.

Whenever a test is performed on mated pairs of connectors, the pairs shall be torqued at 265N.cm.

#### 4.3.6 Endurance

The applicable test requirements are specified in Section 9 of ESCC Generic Specification No. 3402. The test conditions shall be as follows:

- (a) Number of cycles: 500 for qualification; 100 for lot acceptance.
- (b) Rate: 12 cycles maximum/minute.

#### 4.3.7 Residual Magnetism

The applicable measurement requirements are specified in Section 9 of ESCC Generic Specification No. 3402.

##### 4.3.7.1 *Beryllium copper, nickel underplate, gold-plated connectors.*

There are no requirements in respect of residual magnetism. This version is made such that the residual magnetism does not exceed 2000 gammas.

##### 4.3.7.2 *Stainless steel connectors*

Residual magnetism is not applicable to stainless steel versions.

#### 4.3.8 Contact Engagement and Separation Forces

The requirements for these measurements are specified in Section 9 of ESCC Generic Specification No. 3402 and apply to female contacts only.

##### (a) Oversize Pin

Steel test pin diameter : 1.384/1.388 mm.  
Engagement depth : 2/2.5 mm.  
Number of engagements : 3.

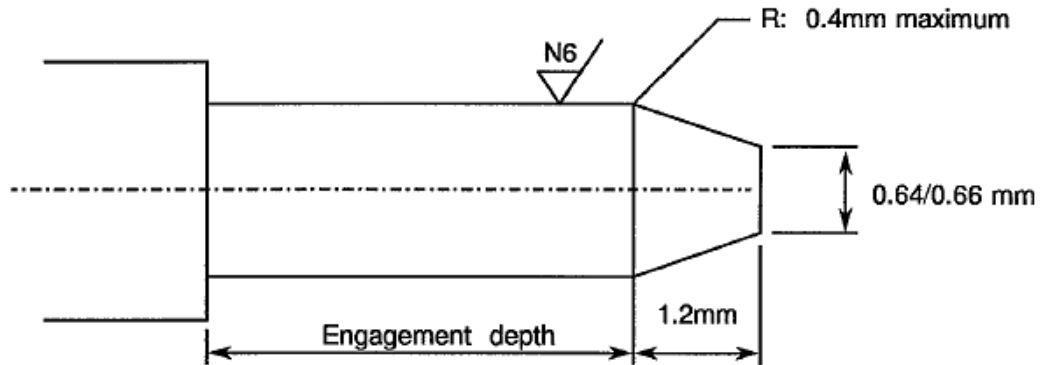
##### (b) Engagement Force Test (Maximum Diameter Test Pin)

Steel test pin diameter : 1.372/1.376 mm.  
Engagement depth : 3/3.5 mm.  
Engagement force : 9N max.

##### (c) Separation Force Test (Minimum Diameter Test Pin)

Steel test pin diameter : 1.308/1.321 mm.  
Separation depth : 3/3.5 mm.  
Separation force : 0.56N min.

**FIGURE 4 - TEST PIN CONFIGURATION**



4.3.9 Contact Retention

The requirements for this test are specified in Section 9 of ESCC Generic Specification No. 3402. The test conditions are given in Figure 2(b). After testing, the connector interface dimensions shall be within the limits of Figure 2(a).

4.4 MATERIALS AND FINISHES

The materials and finishes shall be as specified herein. Where a definite material is not specified, a material which will enable the connectors specified herein to meet the performance requirements of this specification shall be used. Acceptance or approval of any constituent material does not guarantee acceptance of the finished product.

4.4.1 Shell, Coupling Nut

Material: Amagnetic stainless steel, electro-passivated.

4.4.2 Centre Contact

Material: Copper alloy.

Underplate: Nickel, 2µm minimum.

Plating: Gold, 1.27µm minimum, Type 2 Grade C of MIL-G-45204.

4.4.3 Inserts

Material: PTFE and polyetherimid resin.

Baking conditions: 10 cycles (-10, +55°C). 1 cycle = 15 minutes minimum at each temperature with 5 minutes maximum transfer time.

4.4.4 Gaskets

Material: Silicone and fluoro silicone.

4.4.5 Accessories

- Crimping and soldering elements:  
Material: Brass and amagnetic stainless steel.  
Underplate: Nickel, 2µm minimum.  
Adequate coating for good solderability.
- Nut:  
Material: Amagnetic stainless steel, electro-passivated.
- Washers and clip:  
Material: Copper alloy.  
Plating: Nickel, 2µm minimum.

## 4.5 MARKING

### 4.5.1 General

The marking of all components delivered to this specification shall be in accordance with the requirements of ESCC Basic Specification No. 21700 and the following paragraphs. Each component shall be marked in respect of:

- (a) The ESCC Component Number.
- (b) Characteristics.
- (c) Traceability Information.

### 4.5.2 The ESCC Component Number

Each component shall bear the ESCC Component Number which shall be constituted and marked as follows:

Example: 340201001B

- Detail Specification Number: 3402010
- Type Variant (see Table 1(a)): 01
- Testing Level (B or C, as applicable): B

### 4.5.3 Characteristics

Characteristics cover the type of plating/material and 2 different dimensional aspects:

- (a) Variants of fixed configuration.
- (b) Variants where the rear end (length of contact A and length of insert B) may vary within a range limited by a specified maximum value.

#### 4.5.3.1 *Variants of Fixed Configuration*

Each component shall be marked in respect of:

- (a) Type of plating/material.
- (b) Number.

The information shall be constituted and marked as follows:

Example: 301

- Type of plating/material (see Para. 4.5.3.3): 3
- Number (shall always be 01): 01

#### 4.5.3.2 *Variants where Dimensions A and B of Figure 2(b) are Indicated by a Maximum Only*

Each component shall be marked in respect of:

- (a) Type of plating/material.
- (b) Length and tolerance of centre contact (dimension A).
- (c) Length and tolerance of insert (dimension B).

The information shall be constituted and marked as follows:

Example: 213D0A02D5C

- Type of plating/material (see Para. 4.5.3.3): 2
- Contact length A: 13mm (see Para. 4.5.3.4): 13D0
- Tolerance on A:  $\pm 0.05$ mm (see Para. 4.5.3.5): A
- Insert length B: 2.5mm (see Para. 4.5.3.4): 02D5
- Tolerance on B:  $\pm 0.25$ mm (see Para. 4.5.3.5): C

**NOTES**

1. Dimension A shall always be greater than B. Both values shall always be positive.
2. When dimension B (insert) is flush with the flange (B = 0), the insert length shall be marked 00D0 with the appropriate tolerance.
3. When applicable, Figure 2(b) makes reference to Para. 4.5.3.

**4.5.3.3 Type of Plating/Material**

The type of plating/material shall be identified by means of the following code:

Code	Type of Plating/Material	Para.
3	Amagnetic stainless steel	4.4

**4.5.3.4 Length Values**

Length values shall be expressed by means of the following codes. The unit quantity for marking shall be millimetres.

Length Value	Code
XX.X	XXDX

**4.5.3.5 Tolerance**

The tolerances on length values shall be indicated by the letter codes specified hereafter:

Tolerance (mm)	Code Letter
±0.05	A
±0.1	B
±0.25	C

**4.5.4 Traceability Information**

Each component shall be marked in respect of traceability information in accordance with the requirements of ESCC Basic Specification No. [21700](#).

**4.5.5 Marking of Small Components**

When it is considered that the component is too small to accommodate the marking as specified above, as much as space permits shall be marked. The order of precedence shall be as specified in Para. 4.5.1. The marking information in full shall accompany each component in its primary package.

**4.6 ELECTRICAL MEASUREMENTS**

**4.6.1 Electrical Measurements at Room Temperature**

The parameters to be measured in respect of electrical characteristics are scheduled in Table 2. Unless otherwise specified, the measurements shall be performed at  $T_{amb} = +22 \pm 3^{\circ}C$ .

**4.6.2 Electrical Measurements at High and Low Temperatures (Table 3)**

Not applicable.

**4.6.3 Circuits for Electrical Measurements**

Not applicable.

4.7 BURN-IN TESTS (TABLES 4 AND 5)  
Not applicable.

**TABLE 2 - ELECTRICAL MEASUREMENTS AT ROOM TEMPERATURE**

No.	Characteristics	Symbol	Spec. and/or Test Method	Test Conditions	Limits		Unit
					Min	Max	
1	Insulation Resistance	Ri	ESCC 3402, Para. 9.1	500 Vdc	5000	-	MΩ
2	Voltage Proof Leakage Current	I <sub>L</sub>	ESCC 3402, Para. 9.2	See Figure 2(b)	-	2	mA

**TABLES 3, 4 AND 5**

Not applicable.

4.8 ENVIRONMENTAL AND ENDURANCE TESTS

4.8.1 Measurements and Inspections on Completion of Environmental Tests

The parameters to be measured on completion of environmental tests are scheduled in Table 6 of this specification. Unless otherwise stated, the measurements shall be performed at T<sub>amb</sub> = +22 ±3°C.

4.8.2 Measurements and Inspections at Intermediate Points during Endurance Tests

Not applicable.

4.8.3 Measurements and Inspections on Completion of Endurance Tests

The parameters to be measured on completion of endurance tests are scheduled in Table 6 of this specification. Unless otherwise stated, the measurements shall be performed at T<sub>amb</sub> = +22 ±3°C.

4.8.4 Conditions for Operating Life Tests (Part of Endurance Testing)

Not applicable.

4.8.5 Electrical Circuits for Operating Life Tests

Not applicable.

4.8.6 Conditions for High Temperature Storage Test (Part of Endurance Testing)

The requirements for the high temperature storage test are specified in Section 9 of ESCC Generic Specification No. 3402. The conditions for high temperature storage shall be the maximum operating temperature as specified in Figure 2(b).



**TABLE 6 - MEASUREMENTS AND INSPECTIONS ON COMPLETION OF ENVIRONMENTAL AND ENDURANCE TESTS**

No.	ESCC Generic Spec. No. 3402		Measurements and Inspections		Symbol	Limits		Units
	Environmental and Endurance Tests (1)	Test Method and Conditions	Identification	Conditions		Min.	Max.	
01	Contact Resistance	Para. 9.9	Contact Resistance	Centre Contact (20mV 10mA)	-	-	3	mΩ
				Shell	-	-	1.5	mΩ
02	Vibration	Para 9.10	Full Engagement	Centre Contact (20mV 10mA)	-	-	3	mΩ
			Contact Resistance		-	-	-	-
			Visual Examination		-	-	-	-
03	Shock or Bump	Para. 9.11	Full Engagement	Centre Contact (20mV 10mA)	-	-	3	mΩ
			Contact Resistance		-	-	-	-
			Visual Examination		-	-	-	-
04	Rapid Change of Temperature	Para. 9.12	Contact Resistance	Centre Contact (20mV 10mA)	-	-	3	mΩ
			Voltage Proof	Figure 2(b)	I <sub>L</sub>	Table 2 Item 2		-
			Visual Examination	-	-	-	-	
05	Climatic Sequence	Para. 9.13	Low Air Pressure Voltage Proof	0.1X value Figure 2(b)	No Breakdown or flashover			
			After Damp Heat (within 1 to 24 hrs) Insulation Resistance (after 24 hrs)	Table 2 Item 1	Ri	200	-	MΩ
			Voltage Proof	Figure 2(b)	I <sub>L</sub>	Table 2 item 2		-
			External Visual Inspection	ESCC 3402 Para. 9.8	-	-	-	-
06	Cable Retention Force	Para. 9.14 and Para. 4.3.4 of this spec.	Continuity	-	-	Not applicable		-
07	Coupling Proof Torque	Para. 9.4	Interface Dimensions	-	-	Figure 2(a)		-
			Visual Examination	-	-	-	-	
08	Mating and Unmating Forces	Para. 9.5	Torque	Para. 4.3.5	-	-	22.6	N.cm
09	Seal Test	Para. 9.7	Leakage	As applicable	-	No Bubbles		-
			External Visual Inspection	ESCC 3402 Para. 9.8	-	-	-	-
10	Cabling and Crimping Capability	Para. 9.15	Visual Examination	ESCC 3402 Para 9.15	-	-	-	-
			Dimensions	ESCC 3402 Para 9.15	-	Not applicable		-
			Insulation Resistance	Table 2 Item 1	Ri	Not applicable		MΩ
			Voltage Proof	Figure 2(b)	I <sub>L</sub>	Not applicable		-
11	VSWR or Reflection Coefficient	Para. 9.16	VSWR	ESCC 3402 Para. 9.16	-	Figure 2(b)		-
12	Corona Level	Para. 9.17	Corona	ESCC 3402 Para. 9.17	-	Figure 2(b)		-
13	Endurance	Para 9.18 and Para. 4.3.6 of this spec.	Mating/Unmating Forces	Para. 4.3.5	-	-	22.6	N.cm
			Contact Resist. Drift	Centre Contact (20mV 10mA)	-	-	4	mΩ
				Shell (20mV 10mA)	-	-	4	mΩ
	Visual Examination	-	-	-	-	-	-	
14	RF Insertion Loss	Para. 9.19	Insertion Loss	ESCC 3402 Para. 9.19	-	Figure 2(b)		-
15	Corrosion	Para. 9.20	Visual Examination	-	No exposure of base metal			
16	Residual Magnetism	Para. 9.21	Magnetism	-	-	Para. 4.3.7		-

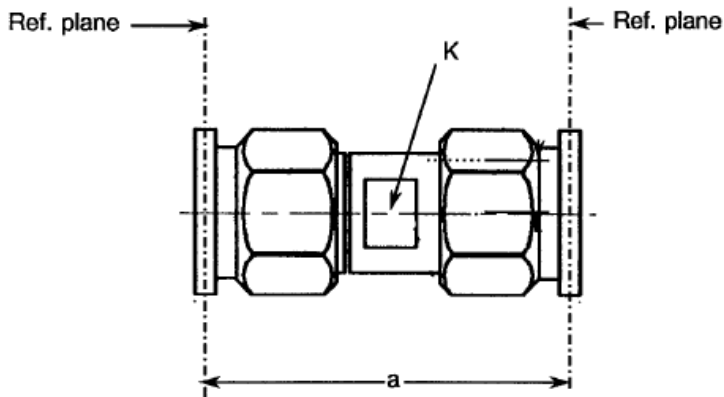
No.	ESCC Generic Spec. No. 3402		Measurements and Inspections		Symbol	Limits		Units
	Environmental and Endurance Tests (1)	Test Method and Conditions	Identification	Conditions		Min.	Max.	
17	Soldering Proof	Para. 9.22	Interface Dimensions Mating/Unmating Forces Insulation Resistance Voltage Proof Leakage Current Contact Resistance External Visual Inspection			Not applicable Not applicable Not applicable Not applicable Not applicable		
18	RF Leakage	Para. 9.23	Leakage	-	-	Figure 2(b)		-
19	High Temperature Storage	Para. 9.24 and Para. 4.8.6 of this spec.	Mating/Unmating Forces Insulation Resistance Voltage Proof Contact Retention Visual Examination Contact Resistance External Visual Inspection	Para. 4.3.5 Table 2 Item 1 Figure 2(b) Para. 4.3.9 - Centre Contact (20mV 10mA) Shell (20mV 10mA) ESCC 3402 Para. 9.8	- R <sub>i</sub> I <sub>L</sub> - - - - -	- 5000 Table 2 Item 2 Para. 4.3.9 - - 6 6 -	22.6 - - - - 6 6 -	N.cm MΩ - - - mΩ mΩ -
20	External Visual Inspection	Para. 9.8	-	-	-	-	-	-
21	Permanence of Marking	Para. 9.27	-	-	-	-	-	-

**NOTES**

1. The tests in this table refer to either Chart IV or V and shall be used as applicable.

**FIGURE 2(b) - VARIANTS (CONTINUED)**

**VARIANT 01 - STRAIGHT ADAPTOR, MALE - MALE**



Symbol	Millimetres		Notes
	Min.	Max.	
a	37.19	38.07	
K	-	9.5	2 flats

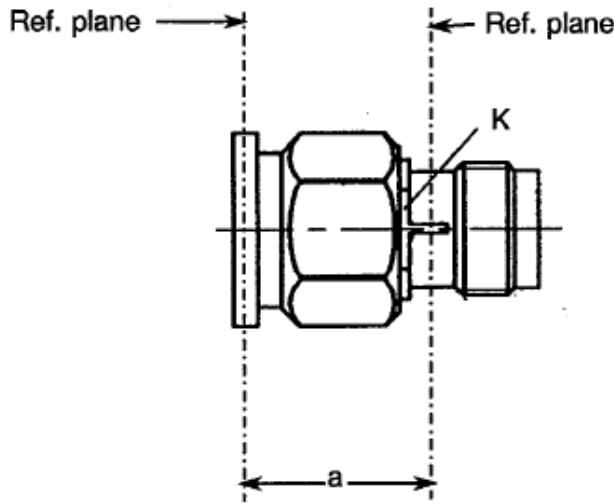
ELECTRICAL CHARACTERISTICS	VALUES	UNITS
Continuous max. power at 17.6 GHz at +22°C	150	W
Frequency range	0 to 18	GHz
Maximum voltage standing wave ratio (VSWR)	1.1 + 0.005 f (GHz) up to 12.4 GHz 1.16 + 0.008 f (GHz) up to 18 GHz	
Maximum insertion loss	0.07 √f (GHz)	dB
RF leakage	-115 + 20 log f (GHz)	dB
Voltage proof	1500	Vrms
Corona level	Not applicable	Vrms

MECHANICAL CHARACTERISTICS	VALUES	UNITS
Mini centre contact retention force (axial)	27.2	N
Mini centre contact retention torque	Not applicable	N.cm
Mini cable retention force	Not applicable	N
Mini cable retention torque value	Not applicable	N.cm
Maximum weight	33	g

OTHER CHARACTERISTICS	VALUES	UNITS
Rapid change of temperature - peak value	+165	°C
Operating temperature range	-65 to +165	°C
Maxi leakage (panel sealed connectors)	Not applicable	
Maxi leakage (hermetic sealed connector)	Not applicable	
Solderability	Not applicable	
Soldering proof	Not applicable	
Cables used	Not applicable	

**FIGURE 2(b) – VARIANTS (CONTINUED)**

VARIANT 02 - STRAIGHT ADAPTOR, MALE - FEMALE



Symbol	Millimetres		Notes
	Min.	Max.	
a	16.62	17.22	
K1	-	9.5	2 flats

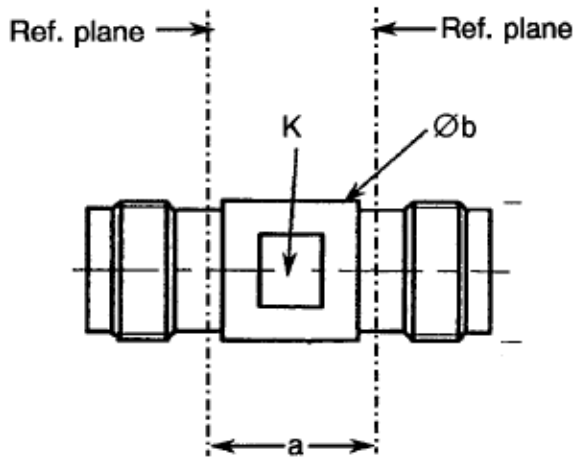
ELECTRICAL CHARACTERISTICS	VALUES	UNITS
Continuous max. power at 17.6 GHz at +22°C	150	W
Frequency range	0 to 18	GHz
Maximum voltage standing wave ratio (VSWR)	$1.1 + 0.005 f$ (GHz)	
Maximum insertion loss	$0.07 \sqrt{f}$ (GHz)	dB
RF leakage	$-115 + 20 \log f$ (GHz)	dB
Voltage proof	1500	Vrms
Corona level	Not applicable	Vrms

MECHANICAL CHARACTERISTICS	VALUES	UNITS
Mini centre contact retention force (axial)	27.2	N
Mini centre contact retention torque	Not applicable	N.cm
Mini cable retention force	Not applicable	N
Mini cable retention torque value	Not applicable	N.cm
Maximum weight	18	g

OTHER CHARACTERISTICS	VALUES	UNITS
Rapid change of temperature - peak value	+165	°C
Operating temperature range	-65 to +165	°C
Maxi leakage (panel sealed connectors)	Not applicable	
Maxi leakage (hermetic sealed connector)	Not applicable	
Solderability	Not applicable	
Soldering proof	Not applicable	
Cables used	Not applicable	

**FIGURE 2(b) – VARIANTS (CONTINUED)**

**VARIANT 03 - STRAIGHT ADAPTOR, FEMALE – FEMALE**



Symbol	Millimetres		Notes
	Min.	Max.	
a	15.65	15.74	
Øb	-	11	
K	-	9.5	2 flats

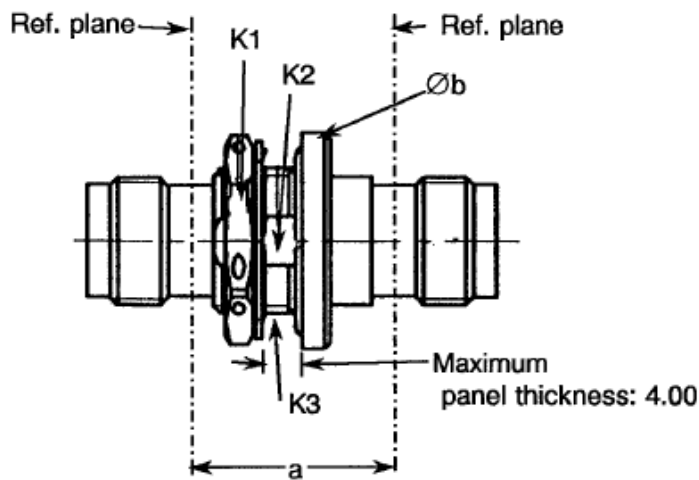
ELECTRICAL CHARACTERISTICS	VALUES	UNITS
Continuous max. power at 17.6 GHz at +22°C	200	W
Frequency range	0 to 18	GHz
Maximum voltage standing wave ratio (VSWR)	1.15 + 0.003 f (GHz)	
Maximum insertion loss	0.07 √f (GHz)	dB
RF leakage	-115 + 20 log f (GHz)	dB
Voltage proof	1500	Vrms
Corona level	Not applicable	Vrms

MECHANICAL CHARACTERISTICS	VALUES	UNITS
Mini centre contact retention force (axial)	27.2	N
Mini centre contact retention torque	Not applicable	N.cm
Mini cable retention force	Not applicable	N
Mini cable retention torque value	Not applicable	N.cm
Maximum weight	15	g

OTHER CHARACTERISTICS	VALUES	UNITS
Rapid change of temperature - peak value	+115	°C
Operating temperature range	-65 to +105	°C
Maxi leakage (panel sealed connectors)	Not applicable	
Maxi leakage (hermetic sealed connector)	Not applicable	
Solderability	Not applicable	
Soldering proof	Not applicable	
Cables used	Not applicable	

**FIGURE 2(b) – VARIANTS (CONTINUED)**

**VARIANT 04 - STRAIGHT BULKHEAD ADAPTOR, FEMALE - FEMALE**



Symbol	Millimetres		Notes
	Min.	Max.	
a	18.45	18.54	
Øb	-	18.7	
K1	-	16	Hexagon
K2	-	11.9	1 flat
K3	1/2.28 UNEF 2A		

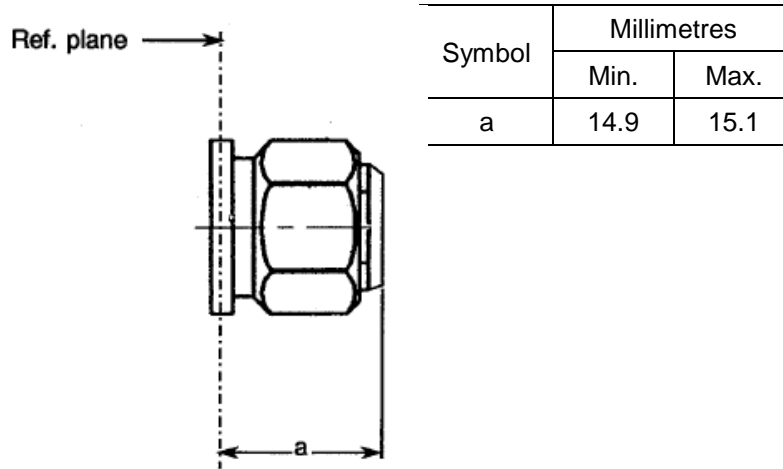
ELECTRICAL CHARACTERISTICS	VALUES	UNITS
Continuous max. power at 17.6 GHz at +22°C	200	W
Frequency range	0 to 18	GHz
Maximum voltage standing wave ratio (VSWR)	$1.15 + 0.003 f$ (GHz)	
Maximum insertion loss	$0.07 \sqrt{f}$ (GHz)	dB
RF leakage	$-115 + 20 \log f$ (GHz)	dB
Voltage proof	1500	Vrms
Corona level	Not applicable	Vrms

MECHANICAL CHARACTERISTICS	VALUES	UNITS
Mini centre contact retention force (axial)	27.2	N
Mini centre contact retention torque	Not applicable	N.cm
Mini cable retention force	Not applicable	N
Mini cable retention torque value	Not applicable	N.cm
Maximum weight	21	g

OTHER CHARACTERISTICS	VALUES	UNITS
Rapid change of temperature - peak value	+115	°C
Operating temperature range	-65 to +105	°C
Maxi leakage (panel sealed connectors)	Applicable	
Maxi leakage (hermetic sealed connector)	Not applicable	
Solderability	Not applicable	
Soldering proof	Not applicable	
Cables used	Not applicable	

**FIGURE 2(b) – VARIANTS (CONTINUED)**

**VARIANT 05 - SHORT CIRCUIT (1) COUPLING NUT, MALE**



**NOTES**

1. Electrical continuity (contact resistance) must be checked between centre contact and nut.

ELECTRICAL CHARACTERISTICS	VALUES	UNITS
Continuous max. power at 17.6 GHz at +22°C	200	W
Frequency range	0 to 18	GHz
Maximum voltage standing wave ratio (VSWR)	Not applicable	
Maximum insertion loss	Not applicable	dB
RF leakage	Not applicable	dB
Voltage proof	Not applicable	Vrms
Corona level	Not applicable	Vrms

MECHANICAL CHARACTERISTICS	VALUES	UNITS
Mini centre contact retention force (axial)	Not applicable	N
Mini centre contact retention torque	Not applicable	N.cm
Mini cable retention force	Not applicable	N
Mini cable retention torque value	Not applicable	N.cm
Maximum weight	21	g

OTHER CHARACTERISTICS	VALUES	UNITS
Rapid change of temperature - peak value	+165	°C
Operating temperature range	-65 to +165	°C
Maxi leakage (panel sealed connectors)	Not applicable	
Maxi leakage (hermetic sealed connector)	Not applicable	
Solderability	Not applicable	
Soldering proof	Not applicable	
Cables used	Not applicable	