



**CONNECTORS, ELECTRICAL, RECTANGULAR,
MICROMINIATURE, REMOVABLE GAUGE 26
CRIMP CONTACTS**

BASED ON TYPE 8MCG

ESCC Detail Specification No. 3401/082

| | |
|---------|-----------|
| Issue 7 | June 2018 |
|---------|-----------|



LEGAL DISCLAIMER AND COPYRIGHT

European Space Agency, Copyright © 2018. All rights reserved.

The European Space Agency disclaims any liability or responsibility, to any person or entity, with respect to any loss or damage caused, or alleged to be caused, directly or indirectly by the use and application of this ESCC publication.

This publication, without the prior permission of the European Space Agency and provided that it is not used for a commercial purpose, may be:

- copied in whole, in any medium, without alteration or modification.
- copied in part, in any medium, provided that the ESCC document identification, comprising the ESCC symbol, document number and document issue, is removed.

DOCUMENTATION CHANGE NOTICE

(Refer to <https://escies.org> for ESCC DCR content)

| DCR No. | CHANGE DESCRIPTION |
|---------|--|
| 1163 | Specification upissued to incorporate editorial changes per DCR. |

TABLE OF CONTENTS

| | | |
|--------|---|----|
| 1 | GENERAL | 6 |
| 1.1 | SCOPE | 6 |
| 1.2 | COMPONENT TYPE VARIANTS AND RANGE OF COMPONENTS | 6 |
| 1.3 | MAXIMUM RATINGS | 6 |
| 1.4 | PARAMETER DERATING INFORMATION | 6 |
| 1.5 | PHYSICAL DIMENSIONS | 6 |
| 2 | APPLICABLE DOCUMENTS | 6 |
| 3 | TERMS, DEFINITIONS, ABBREVIATIONS, SYMBOLS AND UNITS | 7 |
| 4 | REQUIREMENTS | 14 |
| 4.1 | GENERAL | 14 |
| 4.2 | DEVIATIONS FROM GENERIC SPECIFICATION | 14 |
| 4.2.1 | Deviations from Special In-Process Controls | 14 |
| 4.2.2 | Deviations from Final Production Tests (Chart II) | 14 |
| 4.2.3 | Deviations from Burn-in and Electrical Measurements (Chart III) | 14 |
| 4.2.4 | Deviations from Qualification Tests (Chart IV) | 14 |
| 4.2.5 | Deviations from Lot Acceptance Tests (Chart V) | 14 |
| 4.3 | MECHANICAL REQUIREMENTS | 14 |
| 4.3.1 | Dimension Check | 14 |
| 4.3.2 | Weight | 14 |
| 4.3.3 | Contact Capability | 14 |
| 4.3.4 | Contact Retention (in Insert) | 14 |
| 4.3.5 | Mating and Unmating Forces | 15 |
| 4.3.6 | Insert Retention (in Shell) | 15 |
| 4.3.7 | Jackscrew Retention | 15 |
| 4.3.8 | Contact Insertion and Withdrawal Forces | 15 |
| 4.3.9 | Engagement and Separation Forces | 15 |
| 4.3.10 | Oversize Pin Exclusion | 15 |
| 4.3.11 | Probe Damage | 15 |
| 4.3.12 | Solderability | 15 |
| 4.4 | MATERIALS AND FINISHES | 15 |
| 4.4.1 | Shells | 15 |
| 4.4.2 | Inserts and Grommet | 15 |
| 4.4.3 | Contacts | 15 |
| 4.4.4 | Accessories | 15 |
| 4.4.5 | Magnetism Level | 15 |
| 4.5 | MARKING | 16 |



| | | |
|---------|--|----|
| 4.5.1 | General | 16 |
| 4.5.2 | Contact Position | 16 |
| 4.5.3 | The ESCC Component Number | 16 |
| 4.5.4 | Characteristics | 16 |
| 4.5.4.1 | Shell Size and Contact Arrangement | 16 |
| 4.5.4.2 | Alternate Designs | 16 |
| 4.5.4.3 | Type of Contact | 17 |
| 4.5.4.4 | Magnetism Level | 17 |
| 4.5.4.5 | Contact Information | 17 |
| 4.5.5 | Traceability Information | 17 |
| 4.6 | ELECTRICAL MEASUREMENTS | 17 |
| 4.6.1 | Electrical Measurements at Room Temperature | 17 |
| 4.6.2 | Electrical Measurements at High and Low Temperatures (Table 3) | 17 |
| 4.6.3 | Circuits for Electrical Measurements (Figure 4) | 17 |
| 4.7 | BURN-IN AND ELECTRICAL MEASUREMENTS (TABLES 4 AND 5) | 17 |
| 4.8 | ENVIRONMENTAL AND ENDURANCE TESTS (CHARTS IV AND V OF ESCC GENERIC SPECIFICATION NO. 3401) | 18 |
| 4.8.1 | Measurements and Inspections on Completion of Environmental Tests | 18 |
| 4.8.2 | Measurements and Inspections at Intermediate Points during Endurance Tests | 18 |
| 4.8.3 | Measurements and Inspections on Completion of Endurance Tests | 18 |
| 4.8.4 | Conditions for Operating Life Test (Part of Endurance Testing) (Table 5) | 18 |
| 4.8.5 | Electrical Circuit for Operating Life Test (Figure 5) | 18 |
| 4.8.6 | Conditions for High Temperature Storage Test (Part of Endurance Testing) | 18 |

1 GENERAL

1.1 SCOPE

This specification details the ratings, physical and electrical characteristics, test and inspection data for Connectors, Electrical, Rectangular, Microminiature, Removable Gauge 26 Crimp Contacts, based on Type 8MCG.

The following ESCC Specifications, the requirements of which are supplemented herein, are associated with this specification:

- ESCC Generic Specification No. [3401](#), Connectors, Electrical, Non-Filtered, Circular and Rectangular.
- ESCC Detail Specification No. [3401/081](#), Connectors, Electrical, Rectangular, Microminiature, Non-removable Gauge 26 PCB Pin Contacts, Based on Type 8MCG.
- ESCC Detail Specification No. [3401/083](#), Contacts, Electrical, Crimp, Gauge 26, for 3401/082 Connectors.
- ESCC Detail Specification No. [3401/084](#), Accessories for Rectangular Connectors, Microminiature, 3401/081, 3401/082 and Connector Savers 3401/088.
- ESCC Detail Specification No. [3401/088](#), Connector Savers, Electrical, Rectangular, Microminiature, Non-removable Gauge 26 Contacts, Based on Type 8MCG.

1.2 COMPONENT TYPE VARIANTS AND RANGE OF COMPONENTS

The different sizes of the connectors specified herein, together with their mechanical characteristics, are scheduled in Table 1(a).

1.3 MAXIMUM RATINGS

The maximum ratings, which shall not be exceeded at any time during use or storage, applicable to the connectors specified herein, are scheduled in Table 1(b).

1.4 PARAMETER DERATING INFORMATION

The derating information applicable to the connectors specified herein is shown in Figure 1.

1.5 PHYSICAL DIMENSIONS

The physical dimensions of the connectors specified herein, and the available contact arrangements, are shown in Figure 2.

2 APPLICABLE DOCUMENTS

The following documents form part of this specification and shall be read in conjunction with it:

- (a) ESCC Generic Specification No. [3401](#), Connectors, Electrical, Non-Filtered, Circular and Rectangular.
- (b) ESCC Detail Specification No. [3401/083](#), Contacts, Electrical, Crimp, Gauge 26, for 3401/082 Connectors.
- (c) ESCC Detail Specification No. [3401/084](#), Accessories for Rectangular Connectors, Microminiature, 3401/081, 3401/082 and Connector Savers 3401/088.
- (d) ESCC Detail Specification No. [3401/088](#), Connector Savers, Electrical, Rectangular, Microminiature, Non-removable Gauge 26 Contacts, Based on Type 8MCG.

3 TERMS, DEFINITIONS, ABBREVIATIONS, SYMBOLS AND UNITS

For the purpose of this specification, the terms, definitions, abbreviations, symbols and units specified in ESCC Basic Specification No. 21300 shall apply.

TABLE 1(a) - COMPONENT TYPE VARIANTS AND RANGE OF COMPONENTS
SHELL SIZES

| Variant (Note 3) | Shell Size (Note 1) | Weight Max (g) (Note 2) | | Weight Max with Grommet (g) (Note 2) | | Mating Force Max (N) | Unmating Force (N) | |
|---------------------|---------------------------|----------------------------|--------|--|--------|-------------------------------|-----------------------|-------|
| | | Male | Female | Male | Female | | Min | Max |
| | | 01 | A | 1.05 | 1 | | 1.77 | 1.72 |
| B | 1.35 | | 1.25 | 2.14 | 2.04 | 18.7 | 1.5 | 18.7 |
| C | 1.6 | | 1.45 | 2.87 | 2.72 | 22.1 | 1.8 | 22.1 |
| D | 1.8 | | 1.65 | 3.31 | 3.16 | 28.9 | 2.35 | 28.9 |
| E | 2.1 | | 1.88 | 3.9 | 3.68 | 35.7 | 2.9 | 35.7 |
| F | 2.35 | | 2.1 | 4.31 | 4.06 | 42.5 | 3.5 | 42.5 |
| G | 2.5 | | 2.2 | 4.5 | 4.2 | 56.1 | 4.6 | 56.1 |
| H | 3.44 | | 2.95 | 5.88 | 5.39 | 86.7 | 7.1 | 86.7 |
| J | 6.1 | | 4.75 | 9.47 | 8.12 | 178.8 | 14.5 | 178.8 |
| 02 | A | 1.35 | 1.45 | 2.07 | 2.17 | 11.9 | 0.95 | 11.9 |
| | B | 1.75 | 1.8 | 2.54 | 2.59 | 18.7 | 1.5 | 18.7 |
| | C | 2.15 | 2.2 | 3.42 | 3.47 | 22.1 | 1.8 | 22.1 |
| | D | 2.35 | 2.4 | 3.86 | 3.91 | 28.9 | 2.35 | 28.9 |
| | E | 2.7 | 2.69 | 4.5 | 4.49 | 35.7 | 2.9 | 35.7 |
| | F | 2.95 | 2.9 | 4.91 | 4.86 | 42.5 | 3.5 | 42.5 |
| | G | 3.15 | 3.05 | 5.15 | 5.05 | 56.1 | 4.6 | 56.1 |
| | H | 4.2 | 4.1 | 6.64 | 6.54 | 86.7 | 7.1 | 86.7 |
| | J | 7.3 | 6.45 | 10.67 | 9.82 | 178.8 | 14.5 | 178.8 |

NOTES:

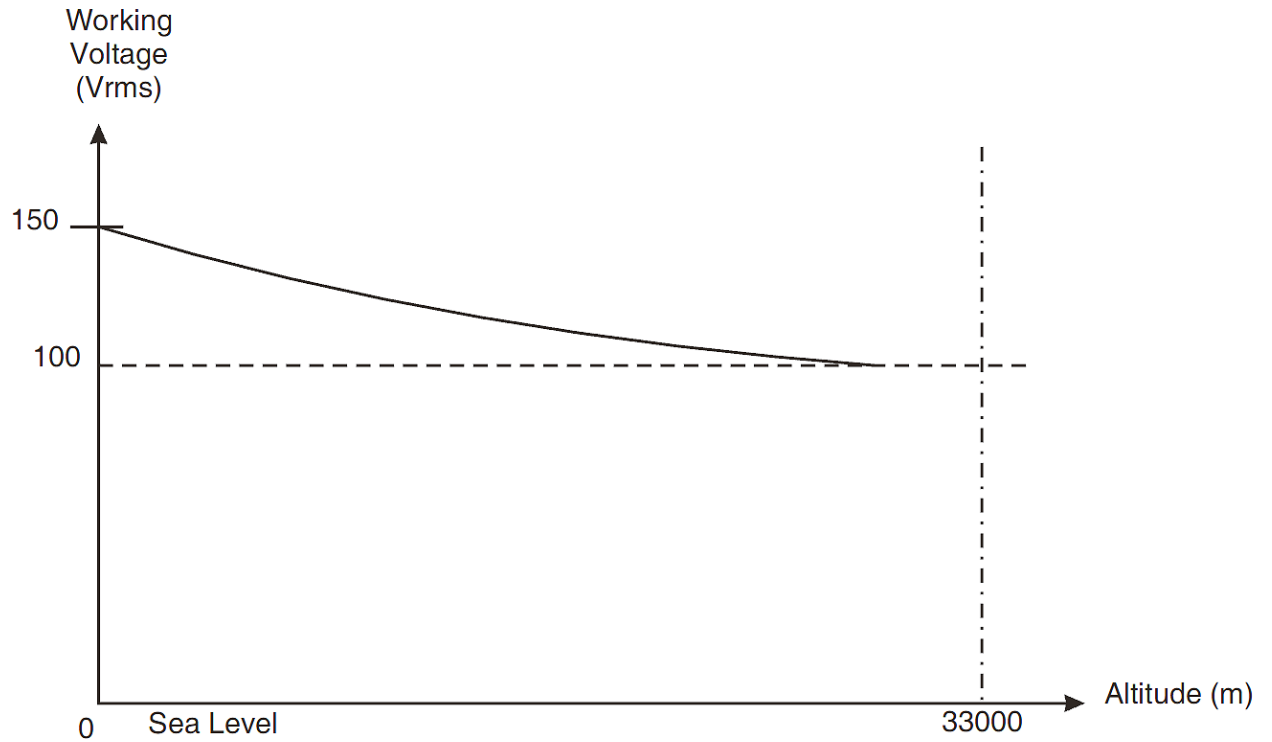
1. See Figure 2(a).
2. Without contacts but see Para. 4.5.4.5. See ESCC Detail Specification No. 3401/083 for contact weights.
3. Refer to Para. 4.4.1 for definition of the Type Variants.

TABLE 1(b) - MAXIMUM RATINGS

| No. | Characteristics | Symbols | Maximum Ratings | | Units |
|-----|---------------------------|----------------|-----------------|-----|-------|
| | | | Min | Max | |
| 1 | Working Voltage Sea Level | U _R | - | 150 | Vrms |

| | | | | | |
|---|-----------------------------|-----------|-----|------|----|
| 2 | Operating Temperature Range | T_{op} | -55 | +125 | °C |
| 3 | Storage Temperature Range | T_{stg} | -65 | +125 | °C |

FIGURE 1 - PARAMETER DERATING INFORMATION

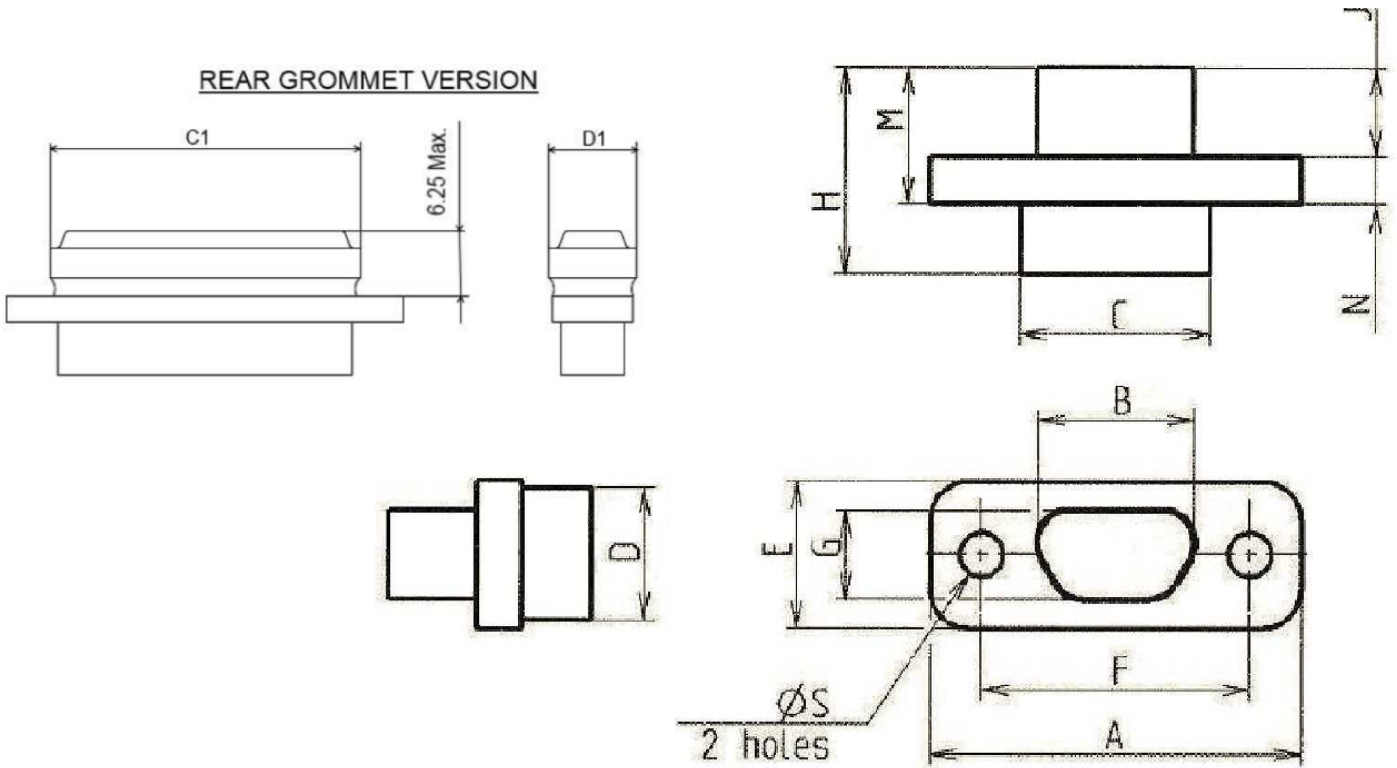


Working Voltage versus Altitude

FIGURE 2 - PHYSICAL DIMENSIONS

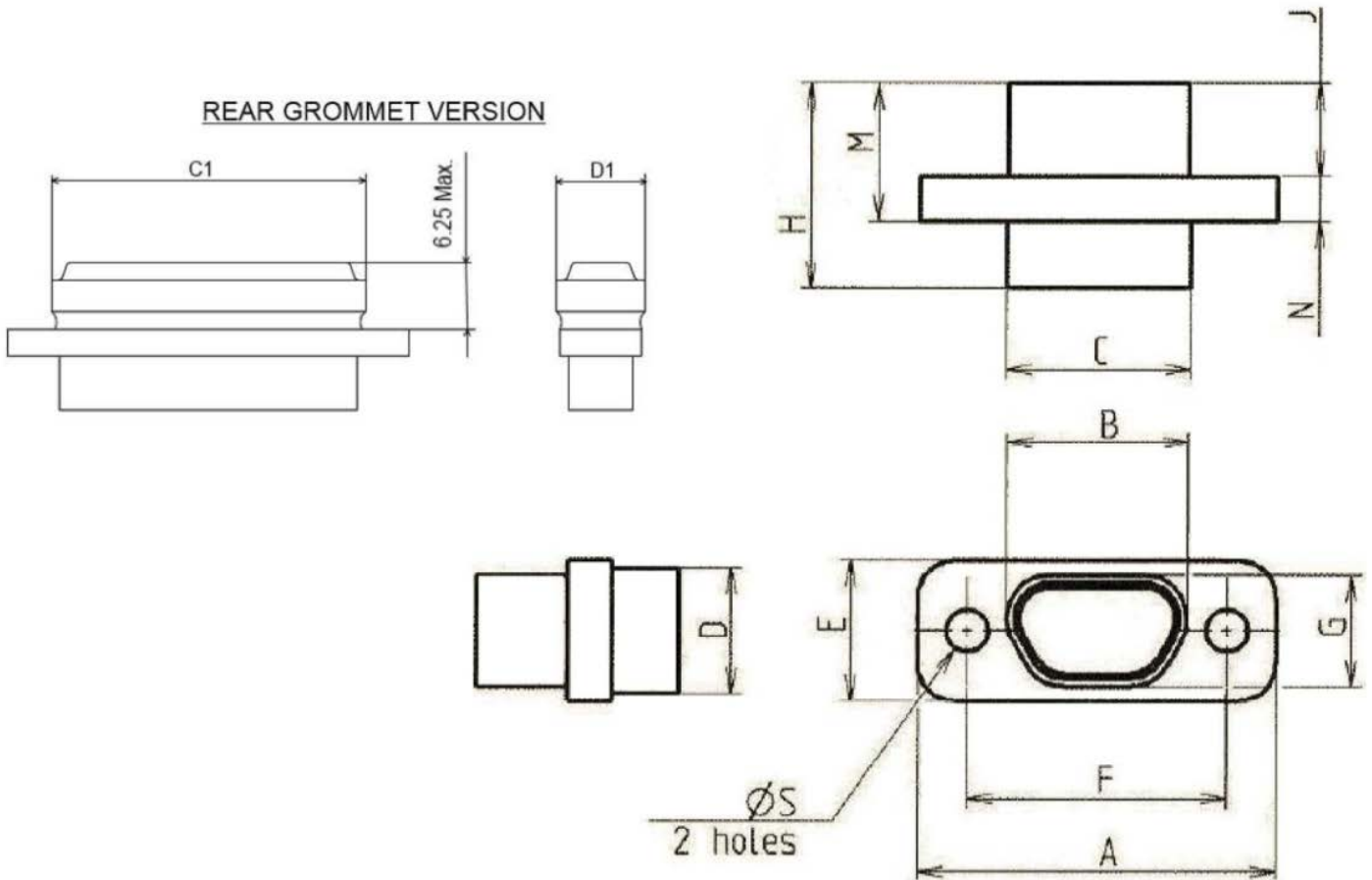
FIGURE 2(a) - CONNECTOR SHELLS

PLUG MALE CONTACTS



| Shell Size | A Max | B Max | C Max | D Max | C1 Max | D1 Max | E Max | E | | G Max | H Max | J Max | M Max | N | | ØS (Note 2) | |
|------------|-------|-------|-------|-------|--------|--------|-------|-------|-------|-------|-------|-------|-------|------|------|-------------|------|
| | | | | | | | | Min | Max | | | | | Min | Max | Min | Max |
| A | 19.94 | 8.48 | 10.16 | 6.86 | 11.7 | 8.45 | 7.82 | 14.22 | 14.48 | 4.69 | 10.82 | 4.72 | 7.21 | 2.23 | 2.49 | 2.23 | 2.39 |
| B | 23.75 | 12.29 | 13.97 | 6.86 | 15.3 | 8.45 | 7.82 | 18.03 | 18.29 | 4.69 | 10.82 | 4.72 | 7.21 | 2.23 | 2.49 | 2.23 | 2.39 |
| C | 27.56 | 16.1 | 17.78 | 6.86 | 19.1 | 8.45 | 7.82 | 21.84 | 22.1 | 4.69 | 10.82 | 4.72 | 7.21 | 2.23 | 2.49 | 2.23 | 2.39 |
| D | 30.1 | 18.64 | 20.32 | 6.86 | 21.85 | 8.45 | 7.82 | 24.38 | 24.64 | 4.69 | 10.82 | 4.72 | 7.21 | 2.23 | 2.49 | 2.23 | 2.39 |
| E | 33.91 | 22.45 | 24.13 | 6.86 | 25.7 | 8.45 | 7.82 | 28.19 | 28.45 | 4.69 | 10.82 | 4.72 | 7.21 | 2.23 | 2.49 | 2.23 | 2.39 |
| F | 37.72 | 26.26 | 27.94 | 6.86 | 29.5 | 8.45 | 7.82 | 32 | 32.26 | 4.69 | 10.82 | 4.72 | 7.21 | 2.23 | 2.49 | 2.23 | 2.39 |
| G | 36.45 | 24.99 | 26.67 | 7.87 | 28.25 | 9.45 | 8.92 | 30.73 | 30.99 | 5.78 | 10.82 | 4.72 | 7.21 | 2.23 | 2.49 | 2.23 | 2.39 |
| H | 48.55 | 36.85 | 38.65 | 7.87 | 40.3 | 9.45 | 8.92 | 43.23 | 43.49 | 5.78 | 10.82 | 4.72 | 7.21 | 2.23 | 2.49 | 2.23 | 2.39 |
| J | 62.75 | 45.1 | 47.65 | 11.25 | 49.25 | 12.85 | 12.5 | 54.72 | 54.98 | 9.25 | 10.82 | 4.72 | 7.21 | 2.23 | 2.49 | 3.68 | 3.83 |

RECEPTACLE FEMALE CONTACTS

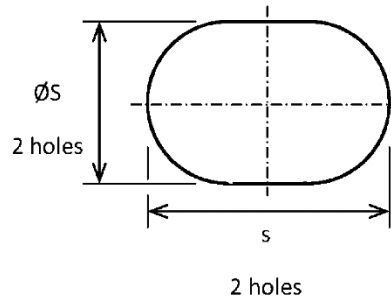


| Shell Size | A Max | B Max | C Max | D Max | C1 Max | D1 Max | E Max | E | | G Max | H Max | J Max | M Max | N | | ØS (Note 2) | |
|------------|-------|-------|-------|-------|--------|--------|-------|-------|-------|-------|-------|-------|-------|------|------|-------------|------|
| | | | | | | | | Min | Max | | | | | Min | Max | Min | Max |
| A | 19.94 | 10.16 | 10.16 | 6.86 | 11.7 | 8.45 | 7.82 | 14.22 | 14.48 | 6.38 | 11.11 | 5.05 | 7.54 | 2.23 | 2.49 | 2.23 | 2.39 |
| B | 23.75 | 13.97 | 13.97 | 6.86 | 15.3 | 8.45 | 7.82 | 18.03 | 18.29 | 6.38 | 11.11 | 5.05 | 7.54 | 2.23 | 2.49 | 2.23 | 2.39 |
| C | 27.56 | 17.78 | 17.78 | 6.86 | 19.1 | 8.45 | 7.82 | 21.84 | 22.1 | 6.38 | 11.11 | 5.05 | 7.54 | 2.23 | 2.49 | 2.23 | 2.39 |
| D | 30.1 | 20.32 | 20.32 | 6.86 | 21.85 | 8.45 | 7.82 | 24.38 | 24.64 | 6.38 | 11.11 | 5.05 | 7.54 | 2.23 | 2.49 | 2.23 | 2.39 |
| E | 33.91 | 24.13 | 24.13 | 6.86 | 25.7 | 8.45 | 7.82 | 28.19 | 28.45 | 6.38 | 11.11 | 5.05 | 7.54 | 2.23 | 2.49 | 2.23 | 2.39 |
| F | 37.72 | 27.94 | 27.94 | 6.86 | 29.5 | 8.45 | 7.82 | 32 | 32.26 | 6.38 | 11.11 | 5.05 | 7.54 | 2.23 | 2.49 | 2.23 | 2.39 |
| G | 36.45 | 26.67 | 26.67 | 7.87 | 28.25 | 9.45 | 8.92 | 30.73 | 30.99 | 7.47 | 11.11 | 5.05 | 7.54 | 2.23 | 2.49 | 2.23 | 2.39 |
| H | 48.55 | 38.65 | 38.65 | 7.87 | 40.3 | 9.45 | 8.92 | 43.23 | 43.49 | 7.47 | 11.11 | 5.05 | 7.54 | 2.23 | 2.49 | 2.23 | 2.39 |
| J | 62.75 | 46.8 | 47.65 | 11.25 | 49.25 | 12.85 | 12.5 | 54.72 | 54.98 | 10.94 | 11.11 | 5.05 | 7.54 | 2.23 | 2.49 | 3.68 | 3.83 |

NOTES:

1. All dimensions are in millimetres.

- For shell size H only, the mounting holes may be as shown below. Such holes shall be centred as per the circular holes shown above.

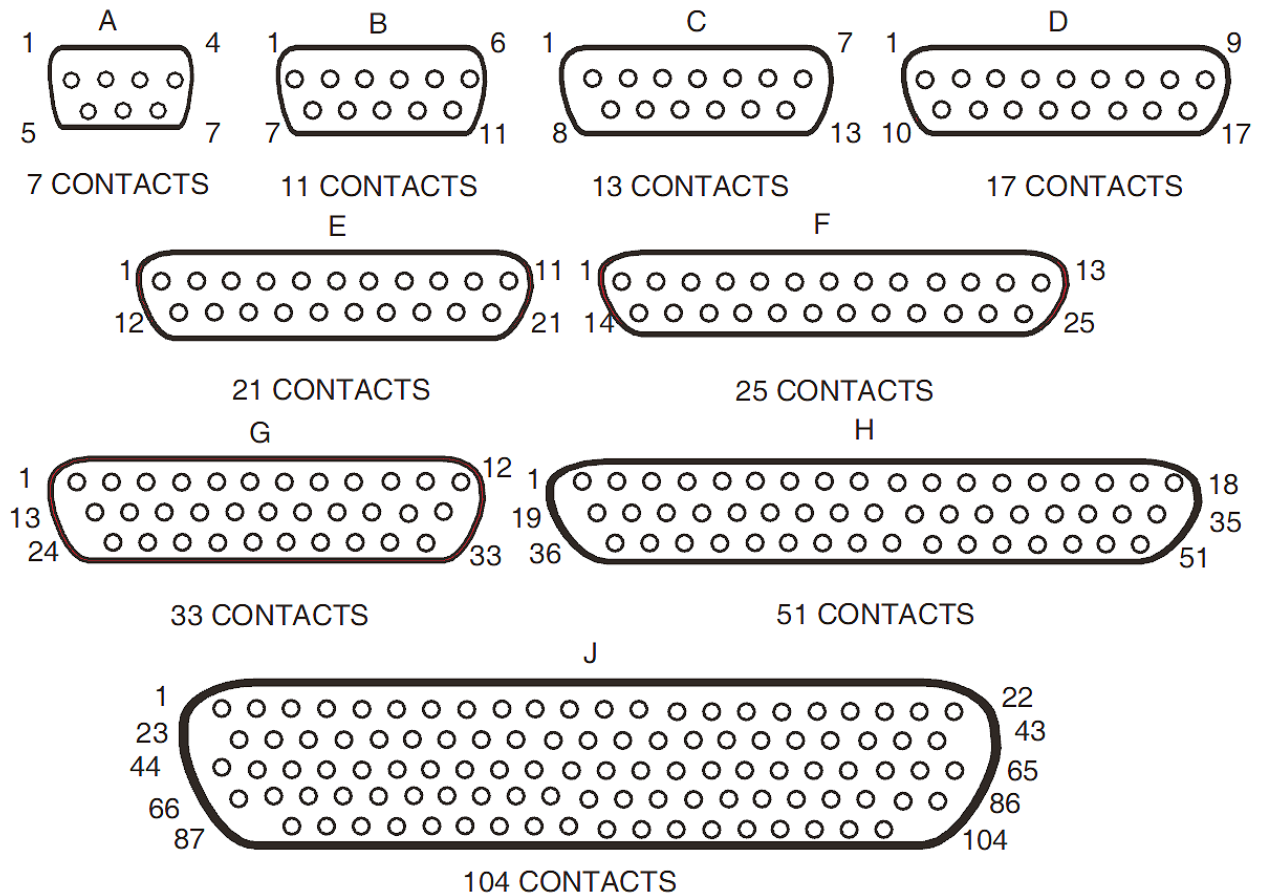


Dimension s shall be 2.76mm minimum and 2.99mm maximum.

- Only the underlined dimensions shall be checked during procurement.

FIGURE 2(b) - CONTACT ARRANGEMENTS

FRONT VIEW MALE INSERT – USE MIRROR VIEW FOR FEMALE INSERT



NOTES:

- Only the outside contact cavities on each row are identified in the drawing, the remainder follow sequentially. Contact numbers are shown outside the insert for readability.

2. a = Distance between contact centres: 2mm typical.
b = Distance between rows: 1.732mm typical.

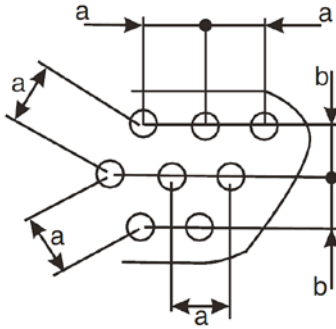
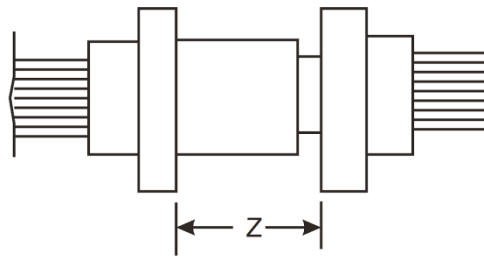
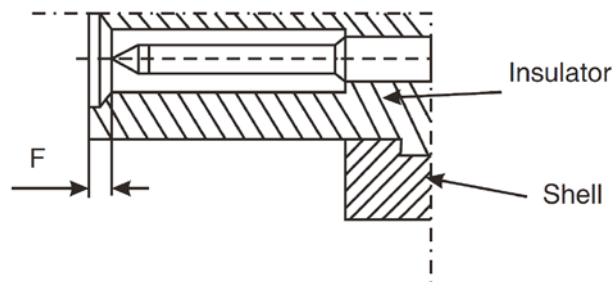


FIGURE 2(c) - MATING DIMENSIONS AND CONTACT POSITION

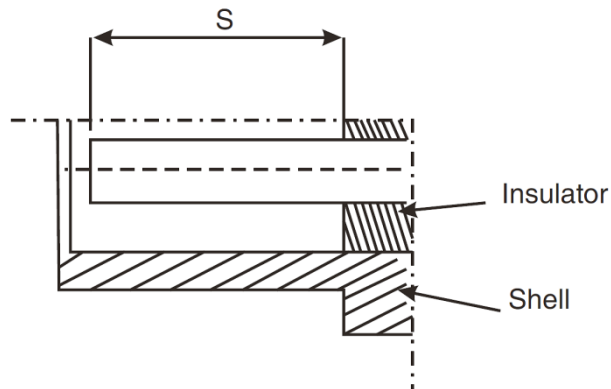
Mounting Condition



Plug Male Contact



Receptacle Female Contact



| F | | S | | Z |
|------|------|------|------|------|
| Min | Max | Min | Max | Max |
| 0.22 | 0.72 | 4.15 | 4.65 | 5.21 |

NOTES:

1. All dimensions are in millimetres.

4 REQUIREMENTS

4.1 GENERAL

The complete requirements for procurement of the components specified herein are stated in this specification and ESCC Generic Specification No. 3401. Deviations from the Generic Specification, applicable to this specification only, are detailed in Para. 4.2.

Deviations from the Generic Specification and this Detail Specification, formally agreed with specific Manufacturers on the basis that the alternative requirements are equivalent to the ESCC requirements and do not affect the components' reliability, are listed in the appendices attached to this specification.

4.2 DEVIATIONS FROM GENERIC SPECIFICATION

4.2.1 Deviations from Special In-Process Controls

None.

4.2.2 Deviations from Final Production Tests (Chart II)

- (a) Para. 9.1.1.4, Mated Shell Conductivity: Not applicable.
- (b) Para. 9.9, Seal Test: Not applicable.

4.2.3 Deviations from Burn-in and Electrical Measurements (Chart III)

Chart III is not applicable.

4.2.4 Deviations from Qualification Tests (Chart IV)

- (a) Para. 9.1.1.4, Mated Shell Conductivity: Not applicable.
- (b) Para. 9.9, Seal Test: Not applicable.
- (c) Para. 9.24, Jackscrew Retention: Not applicable.
- (d) Para. 9.31, Solderability: Not applicable.

4.2.5 Deviations from Lot Acceptance Tests (Chart V)

- (a) Para. 9.1.1.4, Mated Shell Conductivity: Not applicable.
- (b) Para. 9.9, Seal Test: Not applicable.
- (c) Para. 9.24, Jackscrew Retention: Not applicable.
- (d) Para. 9.31, Solderability: Not applicable.

4.3 MECHANICAL REQUIREMENTS

4.3.1 Dimension Check

The dimensions of the connectors specified herein shall be verified in accordance with requirements set out in Para. 9.6 of ESCC Generic Specification No. 3401 and shall conform to those shown in Figure 2 of this specification.

4.3.2 Weight

The maximum weight of the connectors specified herein, without contacts, shall be as specified in Table 1(a).

4.3.3 Contact Capability

As specified in ESCC Detail Specification No. 3401/083.

4.3.4 Contact Retention (in Insert)

As specified in ESCC Detail Specification No. 3401/083.

4.3.5 Mating and Unmating Forces

The forces applied for the mating and unmating of the connectors shall conform to the values specified in Table 1(a).

4.3.6 Insert Retention (in Shell)

Connector inserts shall withstand a pressure of 34.4N/cm² without being dislodged from the shell.

4.3.7 Jackscrew Retention

Not applicable.

4.3.8 Contact Insertion and Withdrawal Forces

As specified in ESCC Detail Specification No. [3401/083](#).

4.3.9 Engagement and Separation Forces

As specified in ESCC Detail Specification No. [3401/083](#).

4.3.10 Oversize Pin Exclusion

As specified in ESCC Detail Specification No. [3401/083](#).

4.3.11 Probe Damage

As specified in ESCC Detail Specification No. [3401/083](#).

4.3.12 Solderability

Not applicable.

4.4 MATERIALS AND FINISHES

The materials and finishes shall be as specified herein. Where a definite material is not specified, a material which will enable the connectors specified herein to meet the performance requirements of this specification shall be used. Acceptance or approval of any constituent material does not guarantee acceptance of the finished product.

4.4.1 Shells

(a) Variant 01:

Shells shall be made of glass-fibre reinforced thermoplastic. The plating shall be a minimum thickness of 1.27µm gold over 5µm minimum of electroless nickel or copper.

(b) Variant 02

Shells shall be made of aluminium alloy. The plating shall be a minimum thickness of 1.27µm gold over 20µm minimum of electroless nickel.

4.4.2 Inserts and Grommet

Inserts shall be made of thermoplastic material.

The optional rear grommet shall be made of silicone elastomer.

4.4.3 Contacts

As specified in ESCC Detail Specification No. [3401/083](#).

4.4.4 Accessories

As specified in ESCC Detail Specification No. [3401/084](#).

4.4.5 Magnetism Level

The allowable value of magnetism shall not exceed that specified for the relevant level (see Para. 4.5.4.4). Only magnetism levels NMC and NMD are verified.

4.5 MARKING

4.5.1 General

The marking of all components delivered to this specification shall be in accordance with the requirements of ESCC Basic Specification No. 21700 and the following paragraphs. Each component shall be marked in respect of:

- (a) Contact Position.
- (b) The ESCC Component Number.
- (c) Characteristics.
- (d) Traceability Information.

4.5.2 Contact Position

The contact positions shall be marked on the insert in accordance with Figure 2(b).

4.5.3 The ESCC Component Number

Each component shall bear the ESCC Component Number which shall be constituted and marked as follows:

Example: 340108201B

- Detail Specification Number: 3401082
- Type Variant (see Table 1(a)): 01
- Testing Level: B

4.5.4 Characteristics

The characteristics to be marked in the following order of precedence are:

- (a) Alternative Design.
- (b) Shell Size.
- (c) Contact Arrangement.
- (d) Type of Contact.
- (e) Magnetism Level (only applicable to Variant 01).
- (f) Contact Information.

The information shall be constituted and marked as follows:

(example): GB11S-NMB-FO

- G: Rear Grommet Version
- Shell Size: B
- Contact Arrangement: 11
- Type of Contact: S
- Magnetism Level (200 gamma): NMB
- Contact Information: FO

4.5.4.1 *Alternative Design*

The letter G indicates a rear grommet dust proof version. The letter shall be omitted for the version without a rear grommet.

4.5.4.2 *Shell Size and Contact Arrangement*

Shell size shall be as designated in Table 1(a) and Figure 2(a). The shell size code also defines the contact arrangement. The layouts of the available contact arrangements are shown in Figure 2(b).

4.5.4.3 Type of Contact

Contact types shall be indicated by the following code letters.

| Code Letter | Contact Type |
|-------------|--------------|
| P | Male |
| S | Female |

4.5.4.4 Magnetism Level

The following codes shall be used for magnetism level. Magnetism level is not applicable to Variant 02 and therefore the magnetism level code shall be omitted.

| Code | Definition |
|------|-----------------------------------|
| NMB | Magnetism Level: ≤ 200 gamma |
| NMC | Magnetism Level: ≤ 20 gamma |
| NMD | Magnetism Level: ≤ 2 gamma |

4.5.4.5 Contact Information

-FO = Connector ordered without contacts. This information shall not be marked on the connector; it is only included on the packaging and all relevant data documentation.

Contacts must be from the same Manufacturer as the connector in which they are fitted and this shall be verified prior to assembly.

4.5.5 Traceability Information

Traceability information shall be marked in accordance with the requirements of ESCC Basic Specification No. [21700](#).

4.6 ELECTRICAL MEASUREMENTS

4.6.1 Electrical Measurements at Room Temperature

The parameters to be measured at room temperature are scheduled in Table 2. Unless otherwise specified, measurements shall be performed at $T_{amb} = +22 \pm 3^{\circ}\text{C}$.

4.6.2 Electrical Measurements at High and Low Temperatures (Table 3)

Not applicable.

4.6.3 Circuits for Electrical Measurements (Figure 4)

Not applicable.

4.7 BURN-IN AND ELECTRICAL MEASUREMENTS (TABLES 4 AND 5)

Not applicable.

TABLE 2 - ELECTRICAL MEASUREMENTS AT ROOM TEMPERATURE

| No. | Characteristic | Symbol | ESCC 3401 Test Method | Test Condition | Limits | | Unit |
|-----|-------------------------------|----------------|--------------------------|----------------|--------|-----|------|
| | | | | | Min | Max | |
| 1 | Insulation Resistance | R _i | Para. 9.1.1.1 | Para. 9.1.1.1 | 5000 | - | MΩ |
| 2 | Voltage Proof Leakage Current | I _L | Para. 9.1.1.2 | 600Vrms | - | 2 | mA |

TABLES 3, 4 AND 5

Not applicable.

4.8 ENVIRONMENTAL AND ENDURANCE TESTS (CHARTS IV AND V OF ESCC GENERIC SPECIFICATION No. 3401)

4.8.1 Measurements and Inspections on Completion of Environmental Tests

The parameters to be measured and inspections to be performed on completion of environmental testing are scheduled in Table 6. Unless otherwise specified, the measurements shall be performed at T_{amb} = +22 ±3°C.

4.8.2 Measurements and Inspections at Intermediate Points during Endurance Tests

Not applicable.

4.8.3 Measurements and Inspections on Completion of Endurance Tests

The parameters to be measured and inspections to be performed on completion of endurance testing are scheduled in Table 6. Unless otherwise specified, the measurements shall be performed at T_{amb} = +22 ±3°C.

4.8.4 Conditions for Operating Life Test (Part of Endurance Testing) (Table 5)

Not applicable.

4.8.5 Electrical Circuit for Operating Life Test (Figure 5)

Not applicable.

4.8.6 Conditions for High Temperature Storage Test (Part of Endurance Testing)

The requirements for the high temperature storage test are specified in Section 9 of ESCC Generic Specification No. 3401. The conditions for high temperature storage testing shall be the maximum storage temperature specified in Table 1(b) of this specification.

TABLE 6 - MEASUREMENTS AND INSPECTIONS ON COMPLETION OF ENVIRONMENTAL AND ENDURANCE TESTING

| No. | ESCC Generic Spec. No. 3401 | | Measurements and Inspections | | Symbol | Limits | | Unit | | | | | |
|----------------------------------|--|--|---|-----------------|--------|---------------------------|----------------|------------|---|-------|------------------------|---|------------------------|
| | Environmental and Endurance Tests (Note 1) | Test Method and Conditions | Identification | Conditions | | Min | Max | | | | | | |
| 01 | Wiring | Para. 9.10 | ESCC 3401/083 | - | - | - | - | | | | | | |
| 02 | Vibration | Para. 9.11 | Initial Measurements | - | Tq | Record Values | | Nm | | | | | |
| | | | Coupling screw(s) Unlocking Torque | | | | | | | | | | |
| | | | Final Measurements | | | - | $\Delta Tq/Tq$ | | -25 | +25 | % | | |
| | | | Coupling screw(s) Unlocking Torque Drift | | | | | | | | | | |
| Visual Examination | - | - | - | - | - | | | | | | | | |
| 03 | Shock or Bump | Para. 9.12 | Full Engagement Visual Examination | - | - | - | - | | | | | | |
| 04 | Climatic Sequence | Para. 9.13 | Dry Heat | Table 2, Item 1 | R_i | 10 | - | M Ω | | | | | |
| | | | Insulation Resistance | | | | | | | | | | |
| | | | Low Air Pressure | | | | | | Figure 1 | I_L | Table 2, Item 2 | | mA |
| | | | Voltage Proof Leakage Current | | | | | | | | | | |
| | | | Damp Heat | | | | | | Immediately after test Table 2, Item 1 | R_i | 1 | - | M Ω |
| | | | Insulation Resistance | | | | | | | | | | |
| | | | Final Measurements | | | | | | After 1-24hrs recovery | - | ESCC 3401 Para. 9.7 | | ESCC 3401 Para. 9.7 |
| External Visual Inspection | | | | | | | | | | | | | |
| Insulation Resistance | Table 2, Item 1 | R_i | Table 2, Item 1 | M Ω | | | | | | | | | |
| Voltage Proof Leakage Current | Table 2, Item 2 | I_L | Table 2, Item 2 | mA | | | | | | | | | |
| 05 | Plating Thickness | Para. 9.14 | Thickness | - | - | Para. 4.4.1 of this spec. | | | | | | | |
| 06 | Rapid Change of Temperature | Para. 9.16 | Visual Examination | - | - | - | - | | | | | | |
| | | | Insulation Resistance | Table 2, Item 1 | R_i | Table 2, Item 1 | | M Ω | | | | | |
| | | | Voltage Proof Leakage Current | Table 2, Item 2 | I_L | Table 2, Item 2 | | mA | | | | | |
| 07 | Contact Retention (in Insert) | Para. 9.17 & Para. 4.3.4 of this spec. | Contact Displacement | - | - | ESCC 3401 Para. 9.17 | | | | | | | |

| No. | ESCC Generic Spec. No. 3401 | | Measurements and Inspections | | Symbol | Limits | | Unit |
|-----|--|----------------------------|------------------------------------|--------------------------|------------------|--------------------------------|-----|------|
| | Environmental and Endurance Tests (Note 1) | Test Method and Conditions | Identification | Conditions | | Min | Max | |
| 08 | Endurance | Para. 9.18. | Initial Measurements | | | | | |
| | | | Mating/Unmating Forces | - | F | Para. 4.3.5 of this spec. | N | |
| | | | Low Level Contact Resistance | ESCC 3401/083 | R _{cl} | ESCC 3401/083 Record Values | mΩ | |
| | | | Final Measurements | | | | | |
| | | | Visual Examination | - | - | - - | | |
| | | | Mating/Unmating Forces | - | F | Para. 4.3.5 of this spec. | N | |
| | | | Low Level Contact Resistance Drift | ESCC 3401/083 | ΔR _{cl} | ESCC 3401/083 | mΩ | |
| 09 | Permanence of Marking | Para. 9.19 | As applicable | - | - | - | - | |
| | | | | | | | | |
| 10 | Mating/Unmating Forces | Para. 9.20 | Force | - | F | Para. 4.3.5 of this spec. | N | |
| 11 | High Temperature Storage | Para. 9.21 | Initial Measurements | | | | | |
| | | | Low Level Contact Resistance | ESCC 3401/083 | R _{cl} | ESCC 3401/083 Record Values | mΩ | |
| | | | Final Measurements | | | | | |
| | | | Visual Examination | - | - | - - | | |
| | | | Mating/Unmating Forces | - | F | Para. 4.3.5 of this spec. | N | |
| | | | Low Level Contact Resistance Drift | ESCC 3401/083 | ΔR _{cl} | ESCC 3401/083 | mΩ | |
| | | | Rated Current Contact Resistance | ESCC 3401/083 | R _{cr} | ESCC 3401/083 | mΩ | |
| | | | Insulation Resistance | Table 2, Item 1 | R _i | Table 2, Item 1 | MΩ | |
| 12 | Corrosion | Para. 9.22 | Visual Examination | - | - | - | - | |
| | | | | | | | | |
| | | | Insulation Resistance | Table 2, Item 1 | R _i | Table 2, Item 1 | MΩ | |
| | | | Voltage Proof Leakage Current | Table 2, Item 2 | I _L | Table 2, Item 2 | mA | |
| | | | Contact Retention (in Insert) | Para. 4.3.4 of this spec | - | ESCC 3401 Para. 9.17 | N | |

| No. | ESCC Generic Spec. No. 3401 | | Measurements and Inspections | | Symbol | Limits | | Unit |
|-----|--|---|---------------------------------------|--------------------------|-----------------|---------------------------|------|------|
| | Environmental and Endurance Tests (Note 1) | Test Method and Conditions | Identification | Conditions | | Min | Max | |
| 13 | Insert Retention (in Shell) | Para. 9.23 & Para. 4.3.6 of this spec. | Visual Examination | - | - | Para. 4.3.6 of this spec. | | |
| 14 | High Temperature Measurements | Para. 9.25 | Insulation Resistance | Table 2, Item 1 (Note 2) | R _i | 10 | - | MΩ |
| 15 | Overload Test | Para. 9.26 | Internal Temperature | - | T | - | +100 | °C |
| | | | Rated Current | ESCC 3401/083 | R _{cr} | ESCC 3401/083 | | mΩ |
| | | | Contact Resistance | Table 2, Item 1 | R _i | Table 2, Item 1 | | MΩ |
| | | | Insulation Resistance | Table 2, Item 2 | I _L | Table 2, Item 2 | | mA |
| 16 | Maintenance Aging | Para. 9.27 | Visual Examination | - | - | - | - | |
| | | | Contact Retention | Para. 4.3.4 of this spec | - | ESCC 3401 Para. 9.17 | | N |
| | | | Contact Insertion & Withdrawal Forces | Para. 4.3.4 of this spec | - | Para. 4.3.8 of this spec | | N |
| 17 | Engage/Separation Forces | Para. 9.28 and Para. 4.3.9 of this spec. | Force | - | F | Para. 4.3.9 of this spec | | N |
| 18 | Oversize Pin Exclusion | Para. 9.29 and Para. 4.3.10 of this spec. | - | - | - | Para. 4.3.10 of this spec | | |
| 19 | Probe Damage | Para. 9.30 and Para. 4.3.11 of this spec. | Contact Separation Force | - | F | Para. 4.3.11 of this spec | | N |

NOTES:

- The tests in this table refer to either Chart IV or V and shall be used as applicable.
- T_{amb} = +125°C.