



**CONNECTORS, ELECTRICAL, RECTANGULAR,
MICROMINIATURE
BASED ON TYPE MDM**

ESCC Detail Specification No. 3401/029

Issue 18	October 2020
----------	--------------



LEGAL DISCLAIMER AND COPYRIGHT

European Space Agency, Copyright © 2020. All rights reserved.

The European Space Agency disclaims any liability or responsibility, to any person or entity, with respect to any loss or damage caused, or alleged to be caused, directly or indirectly by the use and application of this ESCC publication.

This publication, without the prior permission of the European Space Agency and provided that it is not used for a commercial purpose, may be:

- copied in whole, in any medium, without alteration or modification.
- copied in part, in any medium, provided that the ESCC document identification, comprising the ESCC symbol, document number and document issue, is removed.

DOCUMENTATION CHANGE NOTICE

(Refer to <https://escies.org> for ESCC DCR content)

DCR No.	CHANGE DESCRIPTION
1343	Specification upissued to incorporate changes per DCR.

TABLE OF CONTENTS

1	GENERAL	6
1.1	SCOPE	6
1.2	COMPONENT TYPE VARIANTS AND RANGE OF COMPONENTS	6
1.2.1	Connector Termination Type and Associated Mounting Hardware	6
1.3	MAXIMUM RATINGS	6
1.4	PARAMETER DERATING INFORMATION	6
1.5	PHYSICAL DIMENSIONS	6
1.6	CONTACT ARRANGEMENTS	6
2	APPLICABLE DOCUMENTS	72
3	TERMS, DEFINITIONS, ABBREVIATIONS, SYMBOLS AND UNITS	72
4	REQUIREMENTS	72
4.1	GENERAL	72
4.2	DEVIATIONS FROM GENERIC SPECIFICATION	73
4.2.1	Deviations from Special In-Process Controls	73
4.2.2	Deviations from Final Production Tests (Chart II)	73
4.2.3	Deviations from Burn-in and Electrical Measurements (Chart III)	73
4.2.4	Deviations from Qualification Tests (Chart IV)	73
4.2.5	Deviations from Lot Acceptance Tests (Chart V)	73
4.3	MECHANICAL REQUIREMENTS	73
4.3.1	Dimension Check	73
4.3.2	Weight	73
4.3.3	Contact Capability	74
4.3.4	Contact Retention (in Insert)	74
4.3.5	Mating and Unmating Forces	74
4.3.6	Insert Retention (in Shell)	74
4.3.7	Jackscrew Retention	74
4.3.8	Contact Insertion and Withdrawal Forces	74
4.3.9	Engagement and Separation Forces (Male Contacts)	74
4.3.10	Oversize Pin Exclusion	74
4.3.11	Probe Damage	74
4.3.12	Solderability	74
4.4	MATERIALS AND FINISHES	75
4.4.1	Shells	75
4.4.2	Inserts	75
4.4.3	Contacts	75
4.4.3.1	Female Contacts	75
4.4.3.2	Male Contacts	75

4.4.4	Interfacial Seals	75
4.4.5	Insulated Wires	75
4.4.6	Uninsulated Solid Wire	75
4.4.7	Rear Potting	75
4.5	MARKING	76
4.5.1	General	76
4.5.2	The ESCC Component Number	76
4.5.3	Characteristics	76
4.5.3.1	Shell Size	76
4.5.3.2	Contact Type	76
4.5.3.3	Termination Type	77
4.5.3.4	Mounting	77
4.5.4	Traceability Information	77
4.6	ELECTRICAL MEASUREMENTS	78
4.6.1	Electrical Measurements at Room Temperature	78
4.6.2	Electrical Measurements at High and Low Temperatures	78
4.6.3	Circuits for Electrical Measurements	78
4.7	BURN-IN AND ELECTRICAL MEASUREMENTS (TABLES 4 AND 5)	78
4.8	ENVIRONMENTAL AND ENDURANCE TESTS (CHARTS IV AND V OF ESCC GENERIC SPECIFICATION NO. 3401)	80
4.8.1	Measurements and Inspections on Completion of Environmental Tests	80
4.8.2	Measurements and Inspections at Intermediate Points during Endurance Tests	80
4.8.3	Measurements and Inspections on Completion of Endurance Tests	80
4.8.4	Conditions for Operating Life Test (Part of Endurance Testing)	80
4.8.5	Electrical Circuit for Operating Life Test	80
4.8.6	Conditions for High Temperature Storage Test (Part of Endurance Testing)	80
APPENDIX 'A'		84

1 GENERAL

1.1 SCOPE

This specification details the ratings, physical and electrical characteristics, test and inspection data for Electrical, Rectangular, Microminiature Connectors with Non-Removable Crimp-type Contacts and their associated insulated wires and uninsulated solid wires, and Solder Bucket Contacts, based on type MDM.

It shall be read in conjunction with:

- ESCC Generic Specification No. [3401](#), Connectors, Electrical, Rectangular and Circular.
- ESCC Detail Specification No. [3401/032](#), Accessories for Connectors, Microminiature, [3401/029](#), [3401/077](#) and Connector Savers [3401/041](#).
- ESCC Detail Specification No. [3401/087](#), Lightweight Accessories for Rectangular, Microminiature Connectors, [3401/029](#) and [3401/077](#).

the requirements of which are supplemented herein.

1.2 COMPONENT TYPE VARIANTS AND RANGE OF COMPONENTS

Variants of the basic type connectors specified herein and their different sizes, which are also covered by this specification, together with their mechanical characteristics, are scheduled in Table 1(a). The different sizes of associated insulated wires and uninsulated solid wires are given in Figure 2.

1.2.1 Connector Termination Type and Associated Mounting Hardware

Care must be taken during procurement to ensure that the threads of mounting hardware are applicable to the threaded holes, or threaded inserts, in the flange/body of the respective connector. The thread dimensions of the various connector termination types are specified in Figure 2.2 herein.

It is recommended that the mating connectors and the hardware are from the same manufacturer.

1.3 MAXIMUM RATINGS

The maximum ratings, which shall not be exceeded at any time during use or storage, applicable to the connectors specified herein, are given in Table 1(b).

1.4 PARAMETER DERATING INFORMATION

The derating information applicable to the connectors specified herein is shown in Figure 1.

1.5 PHYSICAL DIMENSIONS

The physical characteristics of the connectors, insulated wires and uninsulated solid wires specified herein are shown in Figure 2.

1.6 CONTACT ARRANGEMENTS

Contact arrangements are shown in Figure 3.

TABLE 1(a) – COMPONENT TYPE VARIANTS AND RANGE OF COMPONENTS

Variant Number	Shell Finish (See Para. 4.4.1 for details)	Shell Size	Mating / Unmating Forces (N)	Termination Type	Weight Max (g)
01	Nickel	See Note 1	See Note 1	See Note 2	See Note 2
02	Gold				

NOTES:

1. The Mating and Unmating Forces for each shell size are shown in the table below:

Shell Size (Number of Contacts)	Mating Force N Max	Unmating Force	
		N Max	N Min
9	25	25	1.3
15	42	42	2
21	58	58	2.9
25	70	70	3.5
31	86	86	4.3
37	103	103	5.1
51	142	142	7.1
69	192	192	9.6
100	278	278	13.9

2. The specified maximum weights for the available termination types, by shell size, are shown in the table below:

Termination Types (See Para. 4.5.3.3 for details)	Shell Sizes									Remarks
	9	15	21	25	31	37	51	69	100	
	Weight Max (g)									
FR112 to FR116, FR112A to FR115A, FR112B to FR115B, FR123, FR123A, FR123B	2.2	3	3.8	4.3	5.1	5.9	7.2	8.2	11.8	(a)
FR136	7.4	7.8	8.5	10.2	12.2	14.4	16.5			(b)
FR136A	7.4									(b)
FR139	4.6	5	5.4	6.5	7.7	9.2	10.5			(b)
FR164	2.4	3.3	4.2	4.8	5.7	6.7	8.2	9.1	13.4	(c)
GMR7580, 75SBB, 75SBT	3.6	4.3	5.1	5.4	6.2	7	8.1	14.2	20.9	(b)
GMR7590	3.5	4.3	5	5.6	6.5	7.3	9.2	17	25.5	(b)
75RBB, 75RBT	3.5	4.3	5	5.6	6.5	7.3	9.2		25.5	(b)
CBRB, CBRT	3	3.6	4.3	4.8	6.1	7	9.3			(b)

Remarks:

- (a) The specified maximum weight only applies to the connector with contacts. It does not apply to cables, floating mounts and captive nuts. See Figures 2.4 and 2.5 for the weight of cable. For connectors with floating mounts, add 0.4g for shell sizes 9 to 69, and 0.6g for shell size 100. For connectors with captive nuts, add 1g for shell sizes 9 to 69, and 1.3g for shell size 100.
- (b) The specified maximum weight applies to the connector with contacts.
- (c) The specified maximum weight only applies to the connector with contacts. It does not apply to floating mounts and captive nuts. For connectors with floating mounts, add 0.4g for shell sizes 9 to 69, and 0.6g for shell size 100. For connectors with captive nuts, add 1g for shell sizes 9 to 69, and 1.3g for shell size 100.

TABLE 1(b) - MAXIMUM RATINGS

No.	Characteristic	Symbol	Maximum Rating	Unit	Remarks
1	Working Voltage Sea Level	U_R	150	Vrms	Note 1
2	Rated Current: (AWG26 and uninsulated solid wire)	I_R	2.5	A	-
3	Rated Current: (AWG28)	I_R	1.5	A	-
4	Operating Temperature Range	T_{op}	-55 to +125	°C	-
5	Storage Temperature Range	T_{stg}	-55 to +125	°C	-
6	Soldering Temperature	T_{sol}	+260	°C	Note 2

NOTES:

- 1. Between contacts, and contact and shell.
- 2. Duration 10s maximum and the same contact shall not be resoldered until 3 minutes have elapsed.

FIGURE 1 - PARAMETER DERATING INFORMATION

FIGURE 1(a) - WORKING VOLTAGE VERSUS ALTITUDE

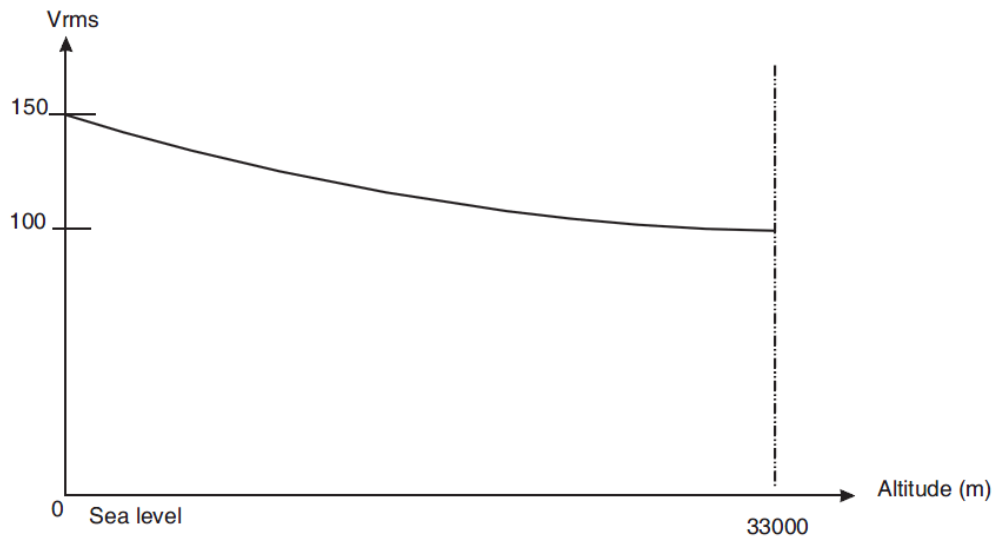
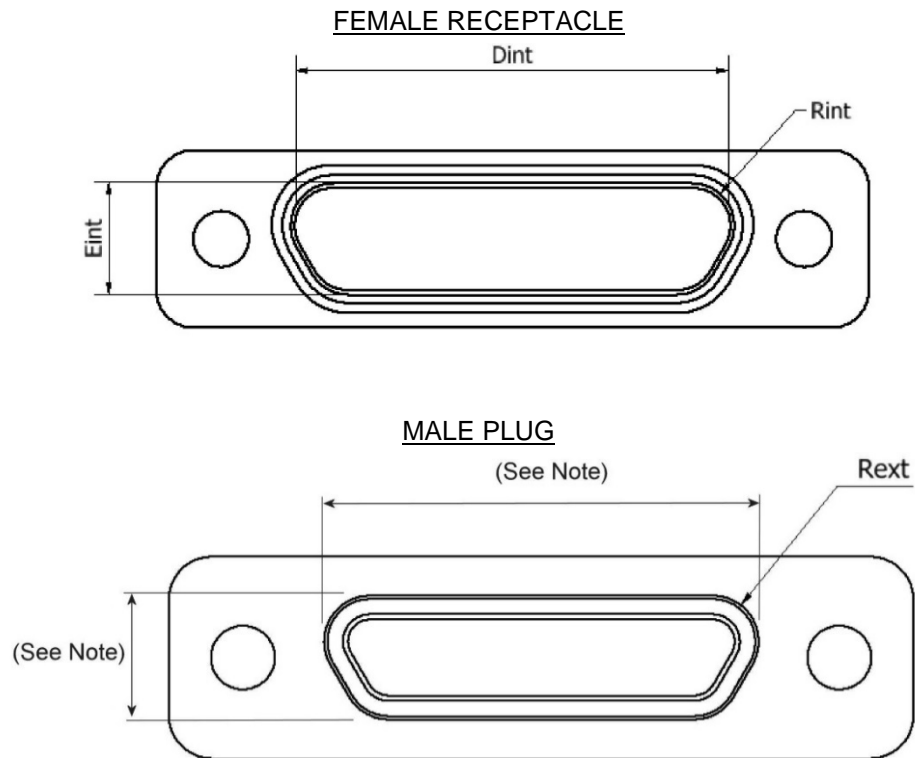


FIGURE 1(b) - MAXIMUM CURRENT VERSUS NUMBER OF CONTACTS

NUMBER OF CURRENT-CARRYING CONTACTS PER CONNECTOR	MAXIMUM CURRENT PER CONTACT (A)	
	WIRE SIZE	
	AWG26 AND UNINSULATED SOLID WIRE	AWG 28
2 - 4	2	1.4
5 - 14	1.8	1.2
15 and over	1.4	0.9

FIGURE 2 - PHYSICAL DIMENSIONS

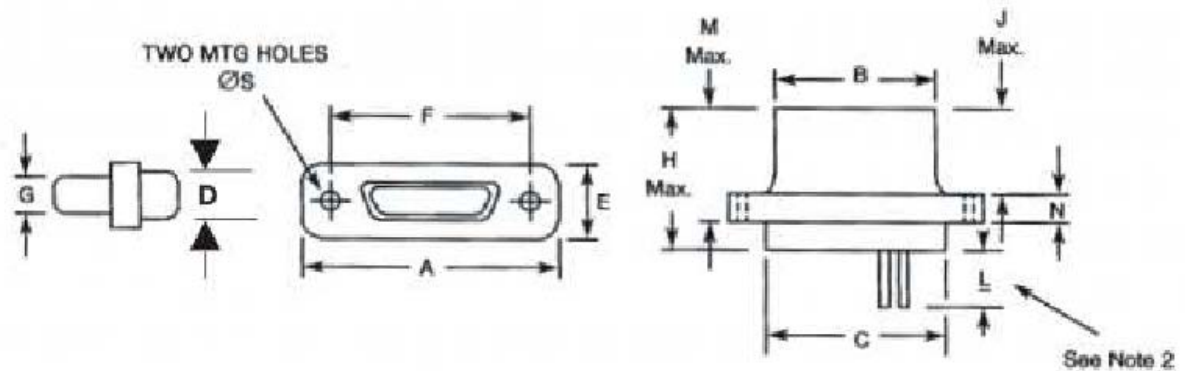
FIGURE 2.0 – MALE AND FEMALE INTERFACE DIMENSIONS



NOTE: These dimensions are specified in the PLUG MALE CONTACTS Figures on the following pages.

Shell Size	Dint Min.	Eint Min.	Rint Min.	Rext Max.
9	8.49	4.7	1.704	1.699
15	12.3	4.7	1.704	1.699
21	16.11	4.7	1.704	1.699
25	18.65	4.7	1.704	1.699
31	22.46	4.7	1.704	1.699
37	26.27	4.7	1.704	1.699
51	25	5.8	1.704	1.699
69	32.67	5.85	1.704	1.699
100	35.19	6.78	1.704	1.699

FIGURE 2.1A CONNECTOR SHELLS - PLUG MALE CONTACT – FR11x TO FR12x

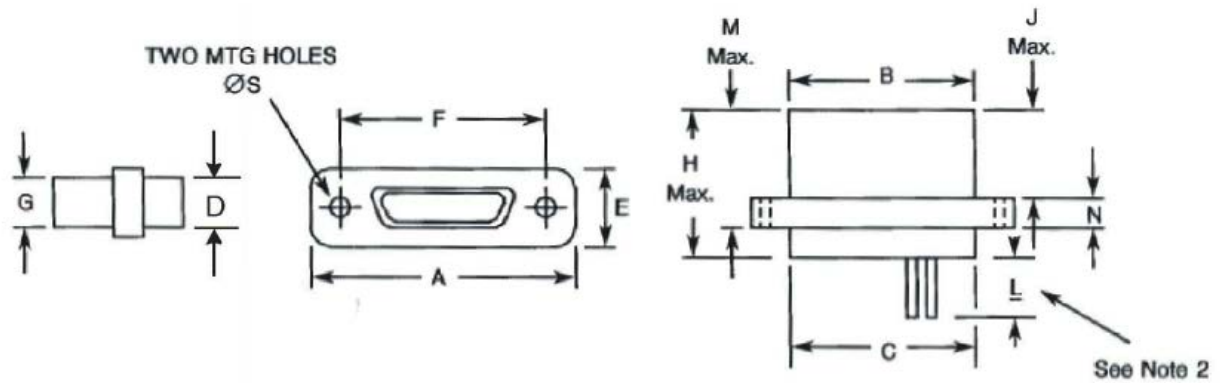


Shell Size	A	B	C	D	E	F		G	H	J	M	N		ØS	
	Max.	Max.	Max.	Max.	Max.	Min.	Max.	Max.	Max.	Max.	Max.	Min.	Max.	Min.	Max.
9	19.94	8.48	10.16	6.86	7.82	14.22	14.48	4.69	10.57	4.72	7.21	2.23	2.49	2.23	2.44
15	23.75	12.29	13.97	6.86	7.82	18.03	18.29	4.69	10.57	4.72	7.21	2.23	2.49	2.23	2.44
21	27.56	16.1	17.78	6.86	7.82	21.84	22.1	4.69	10.57	4.72	7.21	2.23	2.49	2.23	2.44
25	30.1	18.64	20.32	6.86	7.82	24.38	24.64	4.69	10.57	4.72	7.21	2.23	2.49	2.23	2.44
31	33.91	22.45	24.13	6.86	7.82	28.19	28.45	4.69	10.57	4.72	7.21	2.23	2.49	2.23	2.44
37	37.72	26.26	27.94	6.86	7.82	32	32.26	4.69	10.57	4.72	7.21	2.23	2.49	2.23	2.44
51	36.45	24.99	26.67	7.87	8.92	30.73	30.99	5.79	10.57	4.72	7.21	2.23	2.49	2.23	2.44
69	44.07	32.61	34.29	7.87	8.92	38.35	38.61	5.79	10.57	4.72	7.21	2.23	2.49	2.23	2.44
100	55.12	35.15	36.63	9.14	10.01	45.59	45.85	6.88	10.57	4.72	7.21	2.23	2.49	3.73	3.86

NOTES:

1. All dimensions are in millimetres.
2. For wire dimensions including Length L, refer to Para. 4.5.3.3 and Figures 2.4 and 2.5, as applicable.
3. For floating mount and captive nut mounting options, see Figures 2.7 and 2.8 respectively.

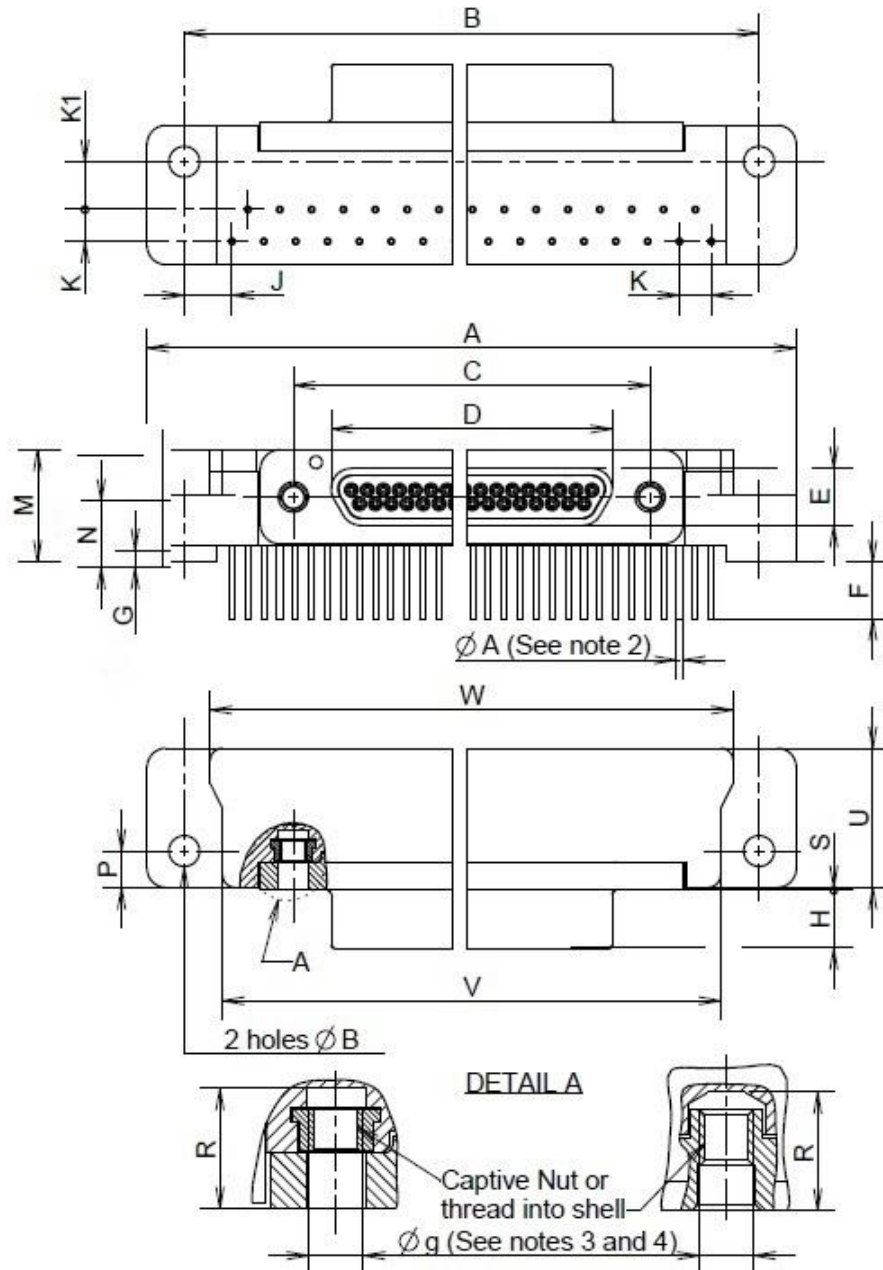
FIGURE 2.1B CONNECTOR SHELLS - RECEPTACLE FEMALE CONTACTS – FR11x TO FR12x



Shell Size	A	B	C	D	E	E		G	H	J	M	N		ØS	
	Max.	Max.	Max.	Max.	Max.	Min.	Max.	Max.	Max.	Max.	Max.	Min.	Max.	Min.	Max.
9	19.94	10.16	10.16	6.86	7.82	14.22	14.48	6.38	10.9	5.05	7.54	2.23	2.49	2.23	2.44
15	23.75	13.97	13.97	6.86	7.82	18.03	18.29	6.38	10.9	5.05	7.54	2.23	2.49	2.23	2.44
21	27.56	17.78	17.78	6.86	7.82	21.84	22.1	6.38	10.9	5.05	7.54	2.23	2.49	2.23	2.44
25	30.1	20.32	20.32	6.86	7.82	24.38	24.64	6.38	10.9	5.05	7.54	2.23	2.49	2.23	2.44
31	33.91	24.13	24.13	6.86	7.82	28.19	28.45	6.38	10.9	5.05	7.54	2.23	2.49	2.23	2.44
37	37.72	27.94	27.94	6.86	7.82	32	32.26	6.38	10.9	5.05	7.54	2.23	2.49	2.23	2.44
51	36.45	26.67	26.67	7.87	8.92	30.73	30.99	7.52	10.9	5.05	7.54	2.23	2.49	2.23	2.44
69	44.07	34.29	34.29	7.87	8.92	38.35	38.61	7.52	10.9	5.05	7.54	2.23	2.49	2.23	2.44
100	55.12	38.3	36.63	9.14	10.01	45.59	45.85	10.01	10.9	5.05	7.54	2.23	2.49	3.73	3.86

NOTES:

1. All dimensions are in millimetres.
2. For wire dimensions including Length L, refer to Para. 4.5.3.3 and Figures 2.4 and 2.5, as applicable.
3. For floating mount and captive nut mounting options, see Figures 2.7 and 2.8 respectively.

FIGURE 2.2A - CONNECTORS TYPE - FR136
PLUG MALE CONTACTS


Shell Size	A Max.	B		$\varnothing B$ (4)		C		D Max.	E Max.	F		G		H Max.	J Typ.
		Min.	Max.	Min.	Max.	Min.	Max.			Min.	Max.	Min.	Max.		
9	35.31	29.03	29.39	2.31	2.59	14.22	14.48	8.48	4.69	4.15	4.85	0	1.7	4.72	9.53
15	39.12	32.84	33.2	2.31	2.59	18.03	18.29	12.29	4.69	4.15	4.85	0	1.7	4.72	7.62
21	42.93	36.65	37.01	2.31	2.59	21.84	22.1	16.1	4.69	4.15	4.85	0	1.7	4.72	5.72
25	45.47	39.19	39.55	2.31	2.59	24.38	24.64	18.64	4.69	4.15	4.85	0	1.7	4.72	4.45
31	51.82	45.54	45.9	2.31	2.59	28.19	28.45	22.45	4.69	4.15	4.85	0	1.7	4.72	3.81
37	59.44	53.16	53.52	2.31	2.59	32	32.26	26.26	4.69	4.15	4.85	0	1.7	4.72	3.81

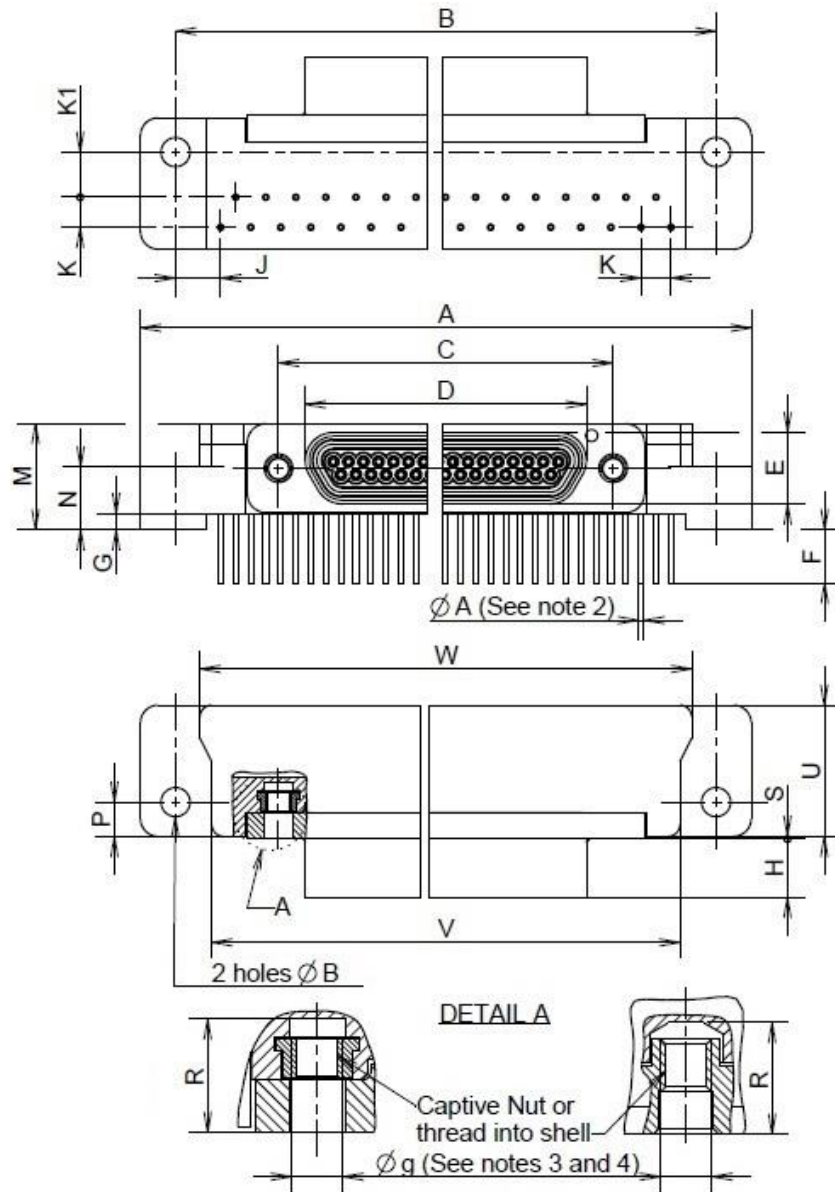
Shell Size	K Typ.	K1		M		N		P		R Min.	S	
		Min.	Max.	Min.	Max.	Min.	Max.	Min.	Max.		Min.	Max.
9	2.54	3.56	4.06	9	9.2	5.15	5.45	2.79	3.55	4.55	0.2	0.5
15	2.54	3.56	4.06	9	9.2	5.15	5.45	2.79	3.55	4.55	0.2	0.5
21	2.54	3.56	4.06	9	9.2	5.15	5.45	2.79	3.55	4.55	0.2	0.5
25	2.54	3.56	4.06	9	9.2	5.15	5.45	2.79	3.55	4.55	0.2	0.5
31	2.54	3.56	4.06	9	9.2	5.15	5.45	2.79	3.55	4.55	0.2	0.5
37	2.54	3.56	4.06	9	9.2	5.15	5.45	2.79	3.55	4.55	0.2	0.5

Shell Size	U Max.	V		W	
		Min.	Max.	Min.	Max.
9	11.56	23.05	23.25	24.9	25.2
15	11.56	26.85	27.05	28.7	29
21	11.56	30.8	31	32.55	32.85
25	11.56	33.3	33.5	35.15	35.45
31	11.56	39.5	39.7	41.45	41.75
37	11.56	47.15	47.35	49	49.3

NOTES:

1. All dimensions are in millimetres.
2. For ØA refer to ØD in Figure 2.4.
3. Øg: 2-56-UNC-2B.
4. Torque 0.44 Nm min / 0.48 max.

FIGURE 2.2B - CONNECTORS TYPE - FR136
RECEPTACLE FEMALE CONTACTS



Shell Size	A Max.	B		ØB (4)		C		D Max.	E Max.	F		G		H Max.	J Typ.
		Min.	Max.	Min.	Max.	Min.	Max.			Min.	Max.	Min.	Max.		
9	35.31	29.03	29.39	2.31	2.59	14.22	14.48	10.16	6.38	4.15	4.85	0	1.7	5.05	9.53
15	39.12	32.84	33.2	2.31	2.59	18.03	18.29	13.97	6.38	4.15	4.85	0	1.7	5.05	7.62
21	42.93	36.65	37.01	2.31	2.59	21.84	22.1	17.78	6.38	4.15	4.85	0	1.7	5.05	5.72
25	45.47	39.19	39.55	2.31	2.59	24.38	24.64	20.32	6.38	4.15	4.85	0	1.7	5.05	4.45
31	51.82	45.54	45.9	2.31	2.59	28.19	28.45	24.13	6.38	4.15	4.85	0	1.7	5.05	3.81
37	59.44	53.16	53.52	2.31	2.59	32	32.26	27.94	6.38	4.15	4.85	0	1.7	5.05	3.81

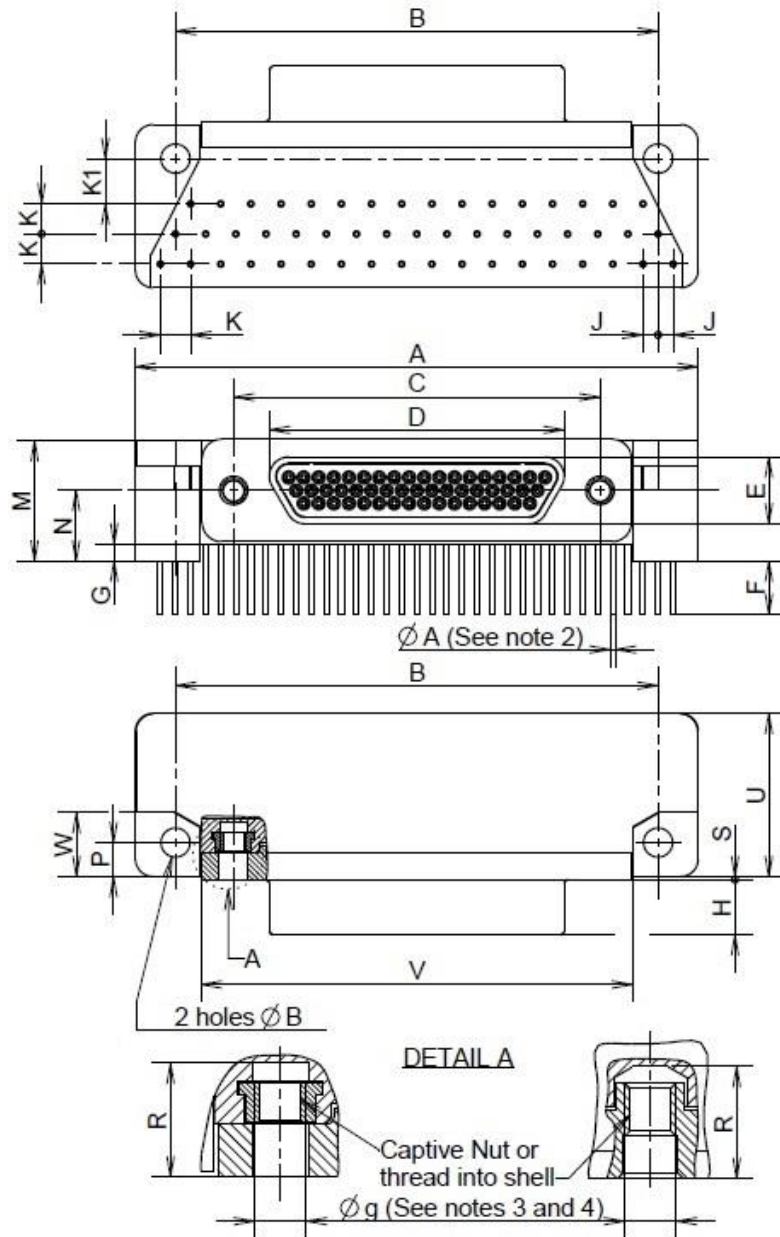
Shell Size	K Typ.	K1		M		N		P		R Min.	S	
		Min.	Max.	Min.	Max.	Min.	Max.	Min.	Max.		Min.	Max.
9	2.54	3.56	4.06	9	9.2	5.15	5.45	2.79	3.55	4.55	0.2	0.5
15	2.54	3.56	4.06	9	9.2	5.15	5.45	2.79	3.55	4.55	0.2	0.5
21	2.54	3.56	4.06	9	9.2	5.15	5.45	2.79	3.55	4.55	0.2	0.5
25	2.54	3.56	4.06	9	9.2	5.15	5.45	2.79	3.55	4.55	0.2	0.5
31	2.54	3.56	4.06	9	9.2	5.15	5.45	2.79	3.55	4.55	0.2	0.5
37	2.54	3.56	4.06	9	9.2	5.15	5.45	2.79	3.55	4.55	0.2	0.5

Shell Size	U Max.	V		W	
		Min.	Max.	Min.	Max.
9	11.56	23.05	23.25	24.9	25.2
15	11.56	26.85	27.05	28.7	29
21	11.56	30.8	31	32.55	32.85
25	11.56	33.3	33.5	35.15	35.45
31	11.56	39.5	39.7	41.45	41.75
37	11.56	47.15	47.35	49	49.3

NOTES:

1. All dimensions are in millimetres.
2. For ØA refer to ØD in Figure 2.4.
3. Øg: 2-56-UNC-2B.
4. Torque 0.44 Nm min / 0.48 Nm max.

FIGURE 2.2C - CONNECTORS TYPE - FR136
PLUG MALE CONTACTS (SIZE 51)



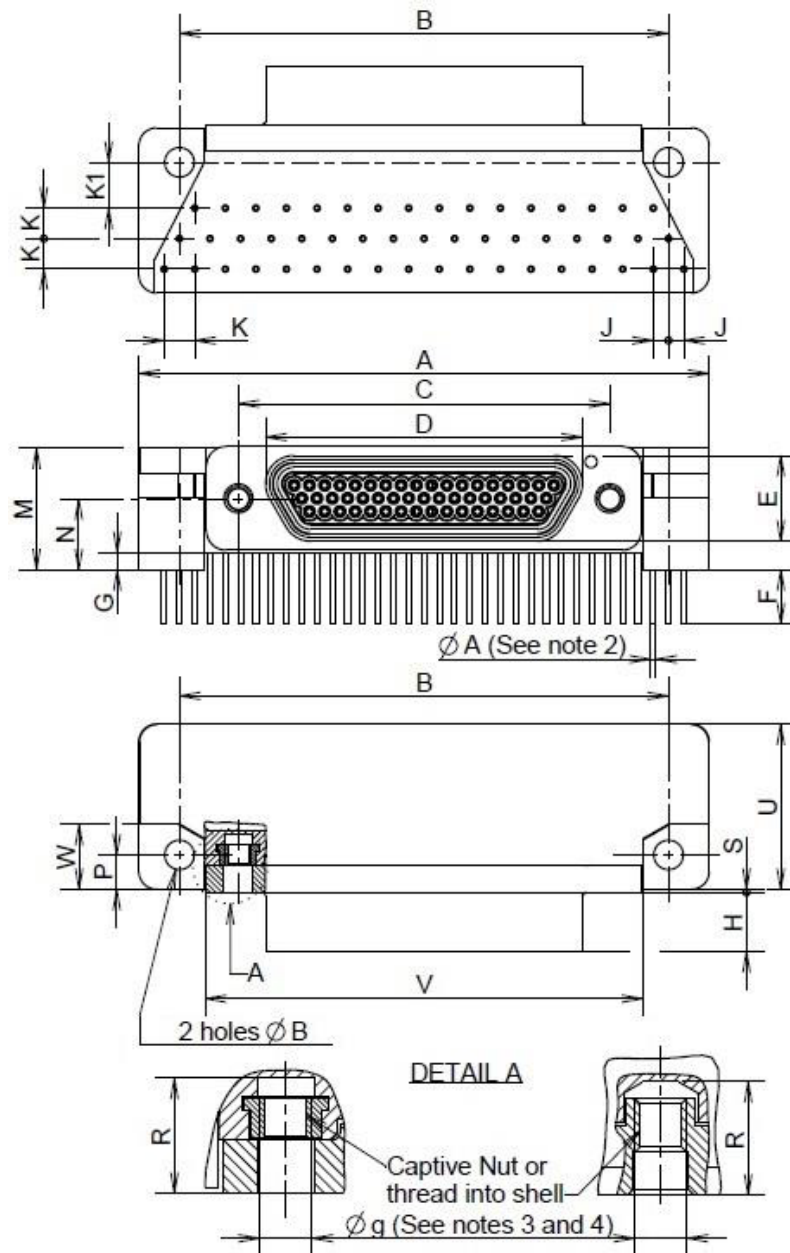
Shell Size	A Max.	B		ϕB (4)		C		D Max.	E Max.	F		G		H Max.	J Typ.
		Min.	Max.	Min.	Max.	Min.	Max.			Min.	Max.	Min.	Max.		
51	47.63	40.46	40.82	2.31	2.59	30.73	30.99	24.99	5.78	4.15	4.85	0	1.7	4.72	1.27

Shell Size	K Typ.	K1		M		N		P		R Min.	S		U Max.	V		W	
		Min.	Max.	Min.	Max.	Min.	Max.	Min.	Max.		Min.	Max.		Min.	Max.		
51	2.54	3.56	4.06	10.1	10.4	5.81	6.11	2.79	3.55	4.55	0.2	0.5	14.35	36.34	36.54	5.3	5.5

NOTES:

1. All dimensions are in millimetres.
2. For $\varnothing A$ refer to $\varnothing D$ in Figure 2.4.
3. $\varnothing g$: 2-56-UNC-2B.
4. Torque 0.44 Nm min / 0.48 Nm max.

FIGURE 2.2D - CONNECTORS TYPE - FR136
RECEPTACLE FEMALE CONTACTS (SIZE 51)



Shell Size	A Max.	B		$\varnothing B$ (4)		C		D Max.	E Max.	F		G		H Max.	J Typ.
		Min.	Max.	Min.	Max.	Min.	Max.			Min.	Max.				
51	47.63	40.46	40.82	2.31	2.59	30.73	30.99	26.67	7.47	4.15	4.85	0	1.7	5.05	1.27

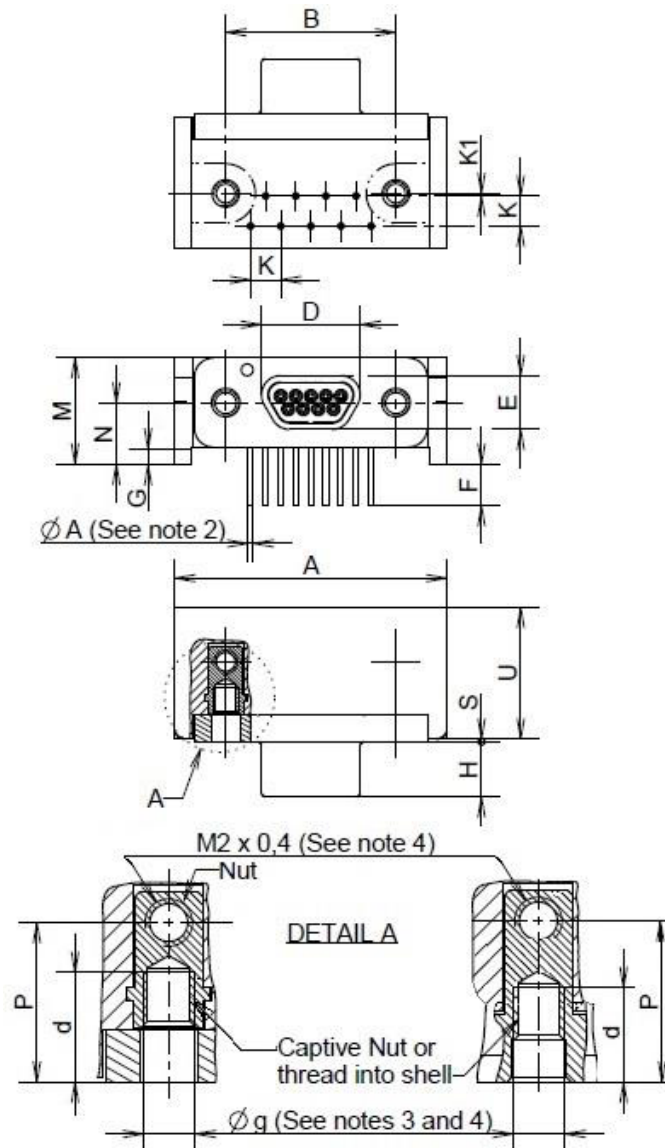
Shell Size	K Typ.	K1		M		N		P		R Min.	S		U Max.	V		W	
		Min.	Max.	Min.	Max.	Min.	Max.	Min.	Max.		Min.	Max.		Min.	Max.		
51	2.54	3.56	4.06	10.1	10.4	5.81	6.11	2.79	3.55	4.55	0.2	0.5	14.35	36.34	36.54	5.3	5.5

NOTES:

1. All dimensions are in millimetres.
2. For $\varnothing A$ refer to $\varnothing D$ in Figure 2.4.
3. $\varnothing g$: 2-56-UNC-2B.
4. Torque 0.44 Nm min / 0.48 Nm max.

FIGURE 2.2E - CONNECTORS TYPE - FR136A

PLUG MALE CONTACTS



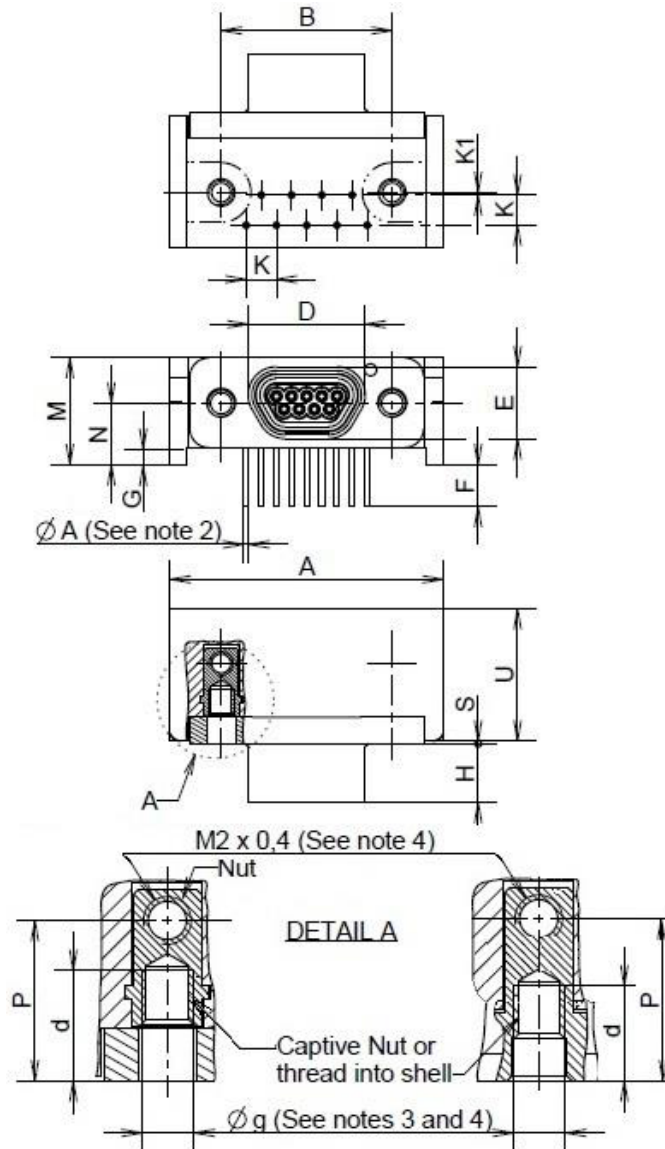
Shell Size	A Max.	B		d Min.	D Max.	E Max.	E		G		H Max.	K Typ.	K1 Typ.
		Min.	Max.				Min.	Max.	Min.	Max.			
9	23.12	14.22	14.48	4.55	8.48	4.69	3.3	3.7	0	1.7	4.72	2.54	0.2

Shell Size	M		N		P		S		U Max.
	Min.	Max.	Min.	Max.	Min.	Max.	Min.	Max.	
9	9	9.2	5.15	5.45	6.48	7.24	0.2	0.5	11.56

NOTES:

1. All dimensions are in millimetres.
2. For ØA refer to ØD in Figure 2.4.
3. Øg: 2-56-UNC-2B
4. Torque 0.44 Nm min / 0.48 Nm max.

FIGURE 2.2F - CONNECTORS TYPE - FR136A
RECEPTACLE FEMALE CONTACTS



Shell Size	A Max.	B		d Min.	D Max.	E Max.	E		G		H Max.	K Typ.	K1 Typ.
		Min.	Max.				Min.	Max.	Min.	Max.			
9	23.12	14.22	14.48	4.55	10.16	6.38	3.3	3.7	0	1.7	5.05	2.54	0.2

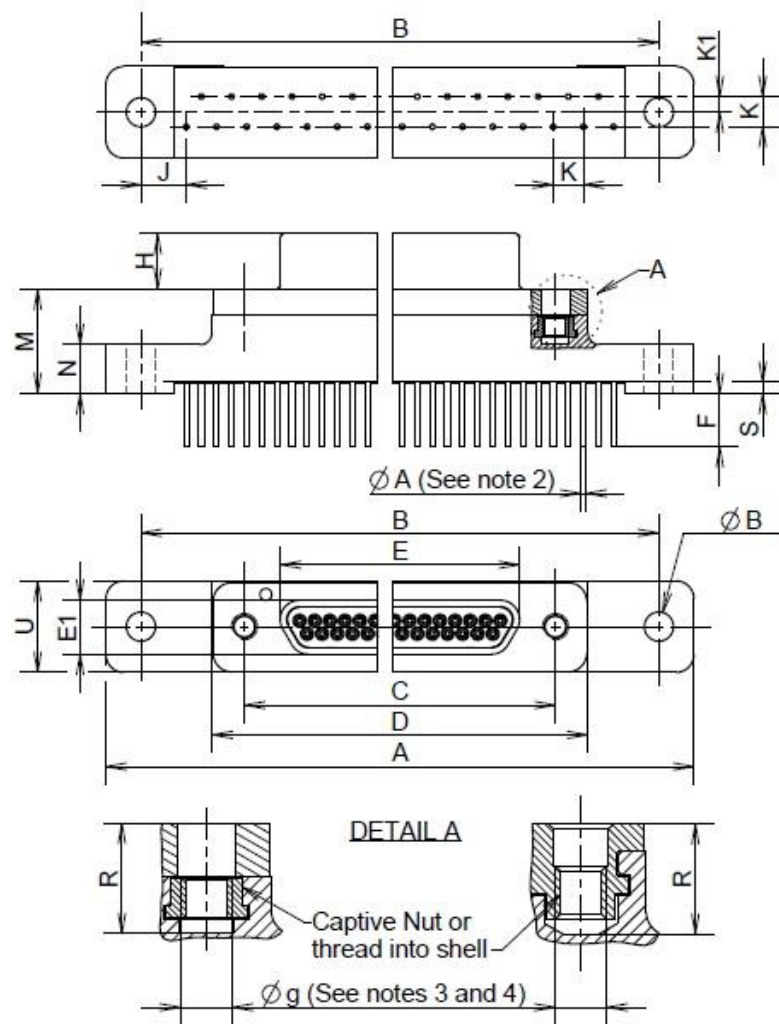
Shell Size	M		N		P		S		U Max.
	Min.	Max.	Min.	Max.	Min.	Max.	Min.	Max.	
9	9	9.2	5.15	5.45	6.48	7.24	0.2	0.5	11.56

NOTES:

1. All dimensions are in millimetres.
2. For $\varnothing A$ refer to $\varnothing D$ in Figure 2.4.
3. $\varnothing g$: 2-56-UNC-2B.
4. Torque 0.44 Nm min / 0.48 Nm max.

FIGURE 2.2G - CONNECTORS TYPE - FR139

PLUG MALE CONTACTS



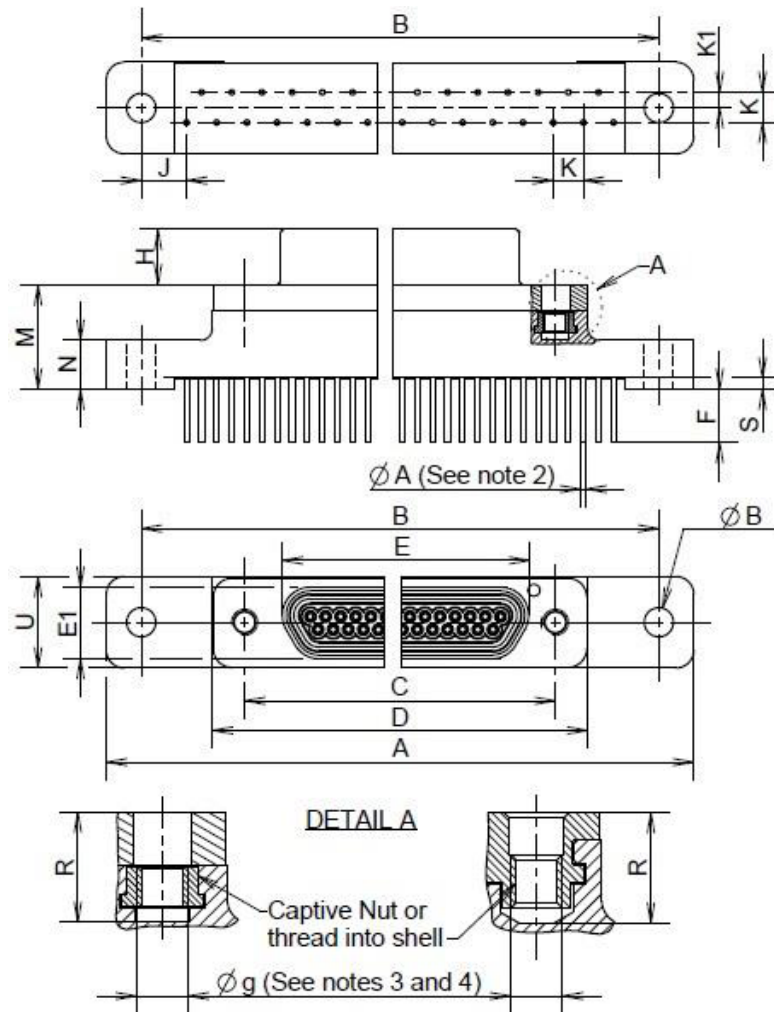
Shell Size	A Max.	B		ϕB (4)		C		D Max.	E Max.	E1 Max.	E		H Max.	J Typ.
		Min.	Max.	Min.	Max.	Min.	Max.				Min.	Max.		
9	35.31	29.03	29.39	2.31	2.59	14.22	14.48	19.94	8.48	4.69	4.15	4.85	4.72	9.53
15	35.31	29.03	29.39	2.31	2.59	18.03	18.29	23.75	12.29	4.69	4.15	4.85	4.72	5.72
21	42.93	36.65	37.01	2.31	2.59	21.84	22.1	27.56	16.1	4.69	4.15	4.85	4.72	5.72
25	44.2	37.92	38.28	2.31	2.59	24.38	24.64	30.1	18.64	4.69	4.15	4.85	4.72	3.81
31	51.82	45.54	45.9	2.31	2.59	28.19	28.45	33.91	22.45	4.69	4.15	4.85	4.72	3.81
37	59.44	53.16	53.52	2.31	2.59	32	32.26	37.72	26.26	4.69	4.15	4.85	4.72	3.81

Shell Size	K Typ.	K1 Typ.	M		N		R Min.	S		U Max.
			Min.	Max.	Min.	Max.		Min.	Max.	
9	2.54	1.27	8.62	9.02	4	4.3	4.55	0	1.1	7.82
15	2.54	1.27	8.62	9.02	4	4.3	4.55	0	1.1	7.82
21	2.54	1.27	8.62	9.02	4	4.3	4.55	0	1.1	7.82
25	2.54	1.27	8.62	9.02	4	4.3	4.55	0	1.1	7.82
31	2.54	1.27	8.62	9.02	4	4.3	4.55	0	1.1	7.82
37	2.54	1.27	8.62	9.02	4	4.3	4.55	0	1.1	7.82

NOTES:

1. All dimensions are in millimetres.
2. For ØA refer to ØD in Figure 2.4.
3. Øg: 2-56-UNC-2B.
4. Torque 0.44 Nm min / 0.48 Nm max.

FIGURE 2.2H - CONNECTORS TYPE - FR139
RECEPTACLE FEMALE CONTACTS



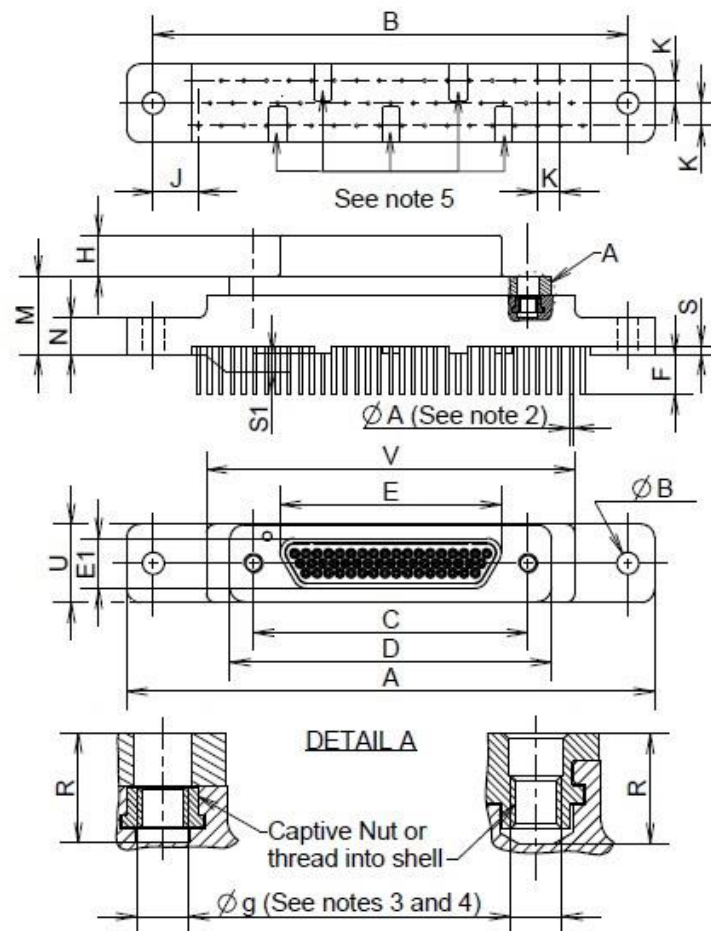
Shell Size	A Max.	B		ØB (4)		C		D Max.	E Max.	E1 Max.	F		H Max.	J Typ.
		Min.	Max.	Min.	Max.	Min.	Max.				Min.	Max.		
9	35.31	29.03	29.39	2.31	2.59	14.22	14.48	19.94	10.16	6.38	4.15	4.85	5.05	9.53
15	35.31	29.03	29.39	2.31	2.59	18.03	18.29	23.75	13.97	6.38	4.15	4.85	5.05	5.72
21	42.93	36.65	37.01	2.31	2.59	21.84	22.1	27.56	17.78	6.38	4.15	4.85	5.05	5.72
25	44.2	37.92	38.28	2.31	2.59	24.38	24.64	30.1	20.32	6.38	4.15	4.85	5.05	3.81
31	51.82	45.54	45.9	2.31	2.59	28.19	28.45	33.91	24.13	6.38	4.15	4.85	5.05	3.81
37	59.44	53.16	53.52	2.31	2.59	32	32.26	37.72	27.94	6.38	4.15	4.85	5.05	3.81

Shell Size	K Typ.	K1 Typ.	M		N		R Min.	S		U Max.
			Min.	Max.	Min.	Max.		Min.	Max.	
9	2.54	1.27	8.62	9.02	4	4.3	4.55	0	1.1	7.82
15	2.54	1.27	8.62	9.02	4	4.3	4.55	0	1.1	7.82
21	2.54	1.27	8.62	9.02	4	4.3	4.55	0	1.1	7.82
25	2.54	1.27	8.62	9.02	4	4.3	4.55	0	1.1	7.82
31	2.54	1.27	8.62	9.02	4	4.3	4.55	0	1.1	7.82
37	2.54	1.27	8.62	9.02	4	4.3	4.55	0	1.1	7.82

NOTES:

1. All dimensions are in millimetres.
2. For ØA refer to ØD in Figure 2.4.
3. Øg: 2-56-UNC-2B.
4. Torque 0.44 Nm min / 0.48 Nm max.

**FIGURE 2.2I - CONNECTORS TYPE - FR139
PLUG MALE CONTACTS - SIZE 51**



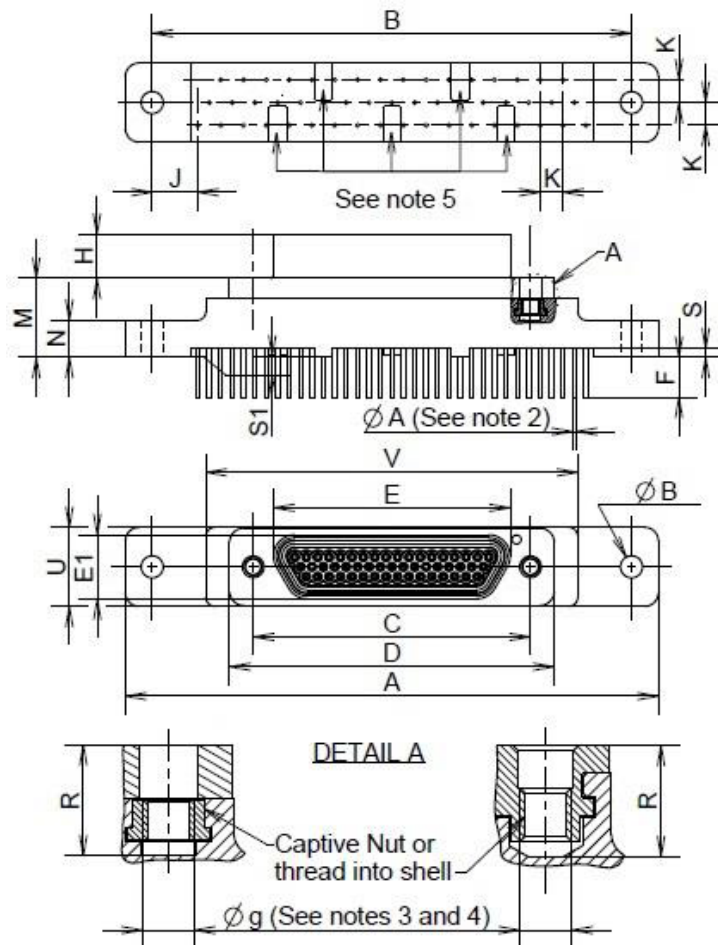
Shell Size	A Max.	B		ØB (4)		C		D Max.	E Max.	E1 Max.	F		H Max.	J Typ.
		Min.	Max.	Min.	Max.	Min.	Max.				Min.	Max.		
51	59.44	53.16	53.52	2.31	2.59	30.73	30.99	36.5	24.99	5.78	4.15	4.85	4.72	5.08

Shell Size	K Typ.	M		N		R Min.	S		S1 (5)		U Max.	V Max.
		Min.	Max.	Min.	Max.		Min.	Max.	Min.	Max.		
51	2.54	8.62	9.02	4	4.3	4.55	0	1.1	0	0.2	9	41.5

NOTES:

1. All dimensions are in millimetres.
2. For ØA refer to ØD in Figure 2.4.
3. Øg: 2-56-UNC-2B.
4. Torque 0.44 Nm min / 0.48 Nm max.
5. Standoffs (5 places): 4.25 x 2.1 max.

**FIGURE 2.2J - CONNECTORS TYPE - FR139
RECEPTACLE FEMALE CONTACTS - SIZE 51**



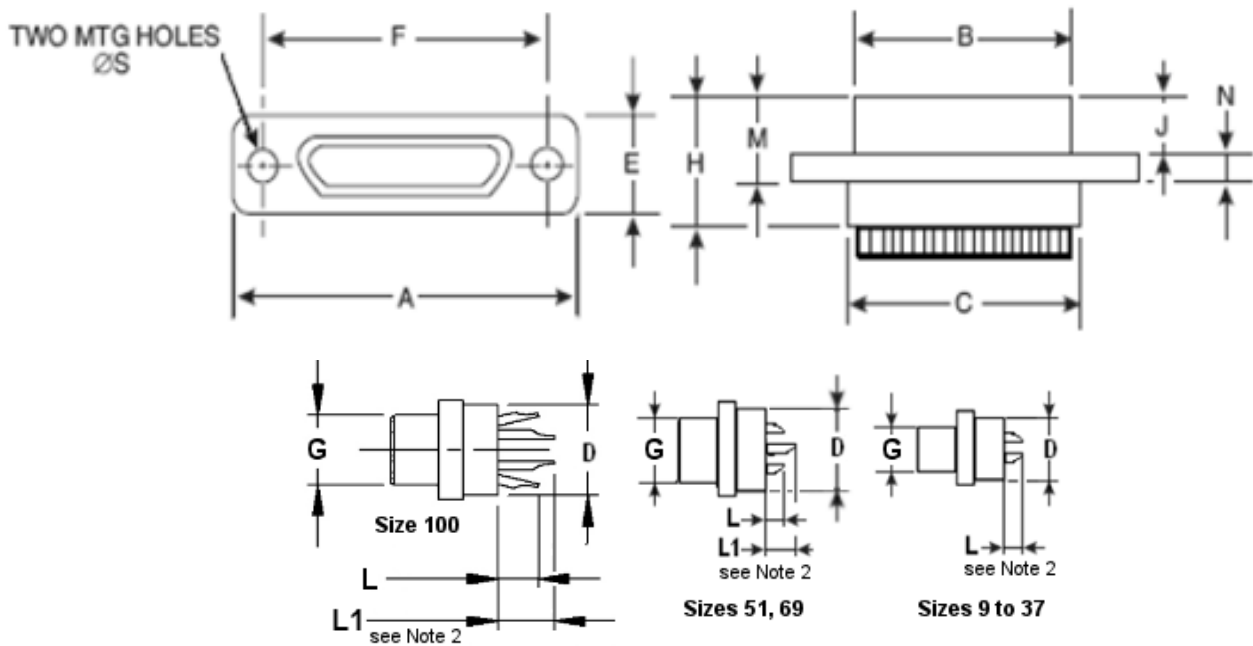
Shell Size	A Max.	B		ϕB (4)		C		D Max.	E Max.	E1 Max.	E		H Max.	J Typ.
		Min.	Max.	Min.	Max.	Min.	Max.				Min.	Max.		
51	59.44	53.16	53.52	2.31	2.59	30.73	30.99	36.5	26.67	7.47	4.15	4.85	5.05	5.08

Shell Size	K Typ.	M		N		R Min.	S		S1 (5)		U Max.	V Max.
		Min.	Max.	Min.	Max.		Min.	Max.	Min.	Max.		
51	2.54	8.62	9.02	4	4.3	4.55	0	1.1	0	0.2	9	41.5

NOTES:

1. All dimensions are in millimetres.
2. For ϕA refer to ϕD in Figure 2.4.
3. ϕg : 2-56-UNC-2B.
4. Torque 0.44 Nm min / 0.48 Nm max.
5. Standoffs (5 places): 4.25 x 2.1 max.

FIGURE 2.2K CONNECTORS TYPE FR164 - PLUG MALE CONTACTS

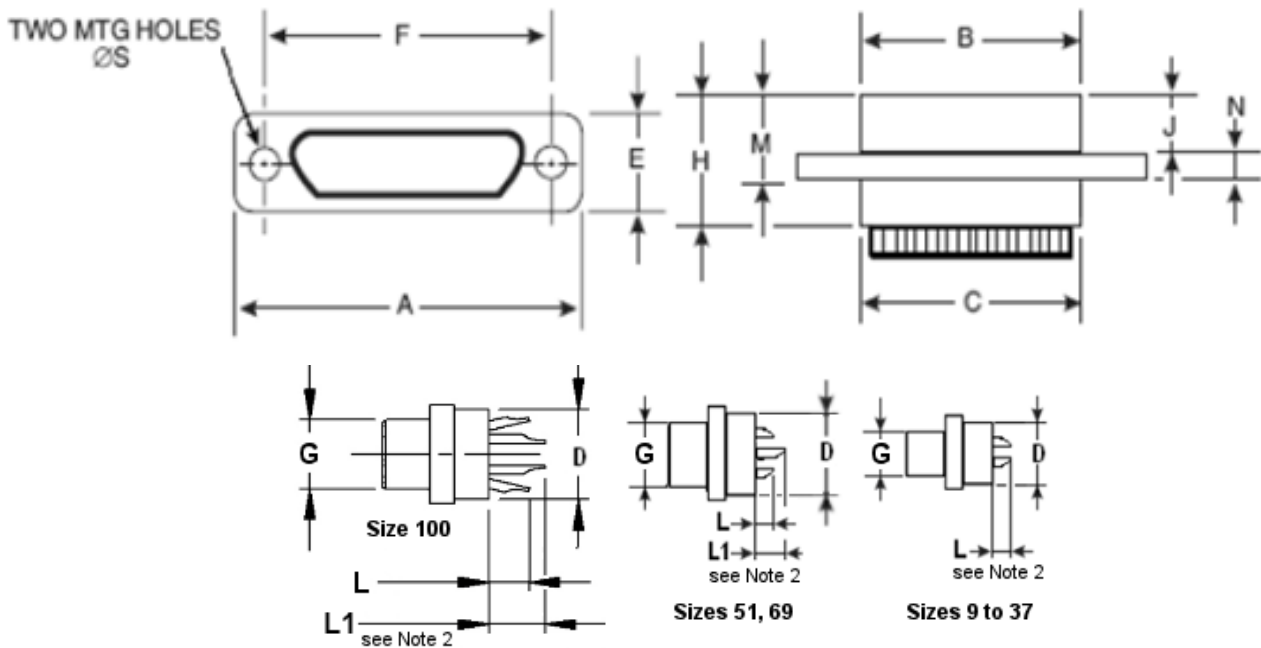


Shell Size	A Max.	B Max.	C Max.	D Max.	E Max.	E		G Max.	H Max.	J Max.	M Max.	N		ØS	
						Min.	Max.					Min.	Max.	Min.	Max.
9	19.94	8.48	10.16	6.86	7.82	14.22	14.48	4.69	10.57	4.72	7.21	2.23	2.49	2.23	2.44
15	23.75	12.29	13.97	6.86	7.82	18.03	18.29	4.69	10.57	4.72	7.21	2.23	2.49	2.23	2.44
21	27.56	16.1	17.78	6.86	7.82	21.84	22.1	4.69	10.57	4.72	7.21	2.23	2.49	2.23	2.44
25	30.1	18.64	20.32	6.86	7.82	24.38	24.64	4.69	10.57	4.72	7.21	2.23	2.49	2.23	2.44
31	33.91	22.45	24.13	6.86	7.82	28.19	28.45	4.69	10.57	4.72	7.21	2.23	2.49	2.23	2.44
37	37.72	26.26	27.94	6.86	7.82	32	32.26	4.69	10.57	4.72	7.21	2.23	2.49	2.23	2.44
51	36.45	24.99	26.67	7.87	8.92	30.73	30.99	5.79	10.57	4.72	7.21	2.23	2.49	2.23	2.44
69	44.07	32.61	34.29	7.87	8.92	38.35	38.61	5.79	10.57	4.72	7.21	2.23	2.49	2.23	2.44
100	55.12	35.15	36.63	9.14	10.01	45.59	45.85	6.88	10.57	4.72	7.21	2.23	2.49	3.73	3.86

NOTES:

- All dimensions are in millimetres.
- L = 2.79 max (all sizes).
L1 = 5.08 max (sizes 51, 69, 100 only).
For details of solder bucket, see Figure 2.6.
- For floating mount and captive nut mounting options, see Figures 2.7 and 2.8 respectively.

FIGURE 2.2L CONNECTORS TYPE FR164 - RECEPTACLE FEMALE CONTACTS



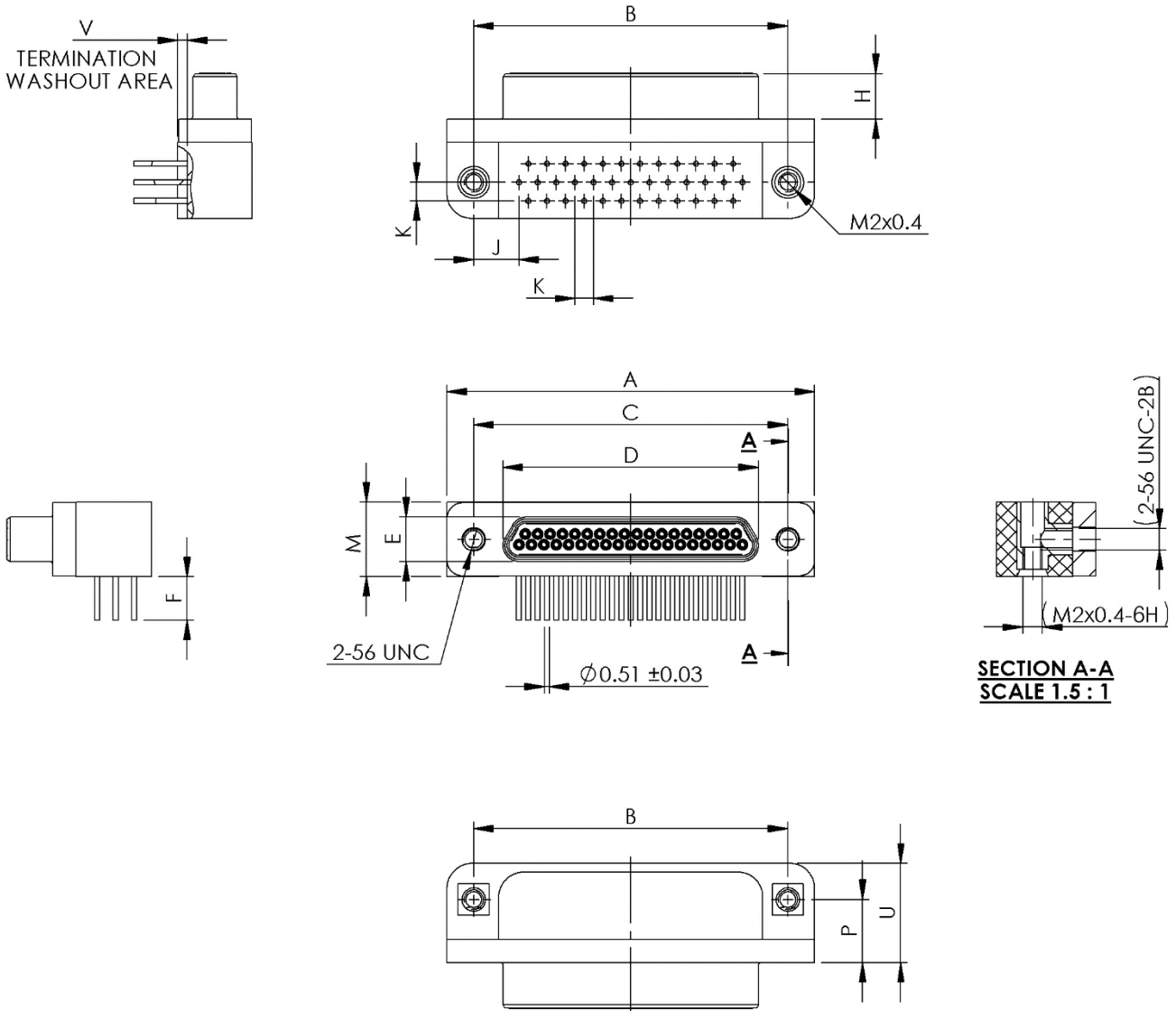
Shell Size	A Max.	B Max.	C Max.	D Max.	E Max.	E		G Max.	H Max.	J Max.	M Max.	N		ØS	
						Min.	Max.					Min.	Max.	Min.	Max.
9	19.94	10.16	10.16	6.86	7.82	14.22	14.48	6.38	10.9	5.05	7.54	2.23	2.49	2.23	2.44
15	23.75	13.97	13.97	6.86	7.82	18.03	18.29	6.38	10.9	5.05	7.54	2.23	2.49	2.23	2.44
21	27.56	17.78	17.78	6.86	7.82	21.84	22.1	6.38	10.9	5.05	7.54	2.23	2.49	2.23	2.44
25	30.1	20.32	20.32	6.86	7.82	24.38	24.64	6.38	10.9	5.05	7.54	2.23	2.49	2.23	2.44
31	33.91	24.13	24.13	6.86	7.82	28.19	28.45	6.38	10.9	5.05	7.54	2.23	2.49	2.23	2.44
37	37.72	27.94	27.94	6.86	7.82	32	32.26	6.38	10.9	5.05	7.54	2.23	2.49	2.23	2.44
51	36.45	26.67	26.67	7.87	8.92	30.73	30.99	7.52	10.9	5.05	7.54	2.23	2.49	2.23	2.44
69	44.07	34.29	34.29	7.87	8.92	38.35	38.61	7.52	10.9	5.05	7.54	2.23	2.49	2.23	2.44
100	55.12	38.3	36.63	9.14	10.01	45.59	45.85	10.01	10.9	5.05	7.54	2.23	2.49	3.73	3.86

NOTES

- All dimensions are in millimetres.
- L = 2.79 max (all sizes).
L1 = 5.08 max (sizes 51, 69, 100 only).
For details of solder bucket, see Figure 2.6.
- For floating mount and captive nut mounting options, see Figures 2.7 and 2.8 respectively.

FIGURE 2.2M - CONNECTORS TYPE – GMR7590

PLUG MALE CONTACTS



SECTION A-A
SCALE 1.5 : 1

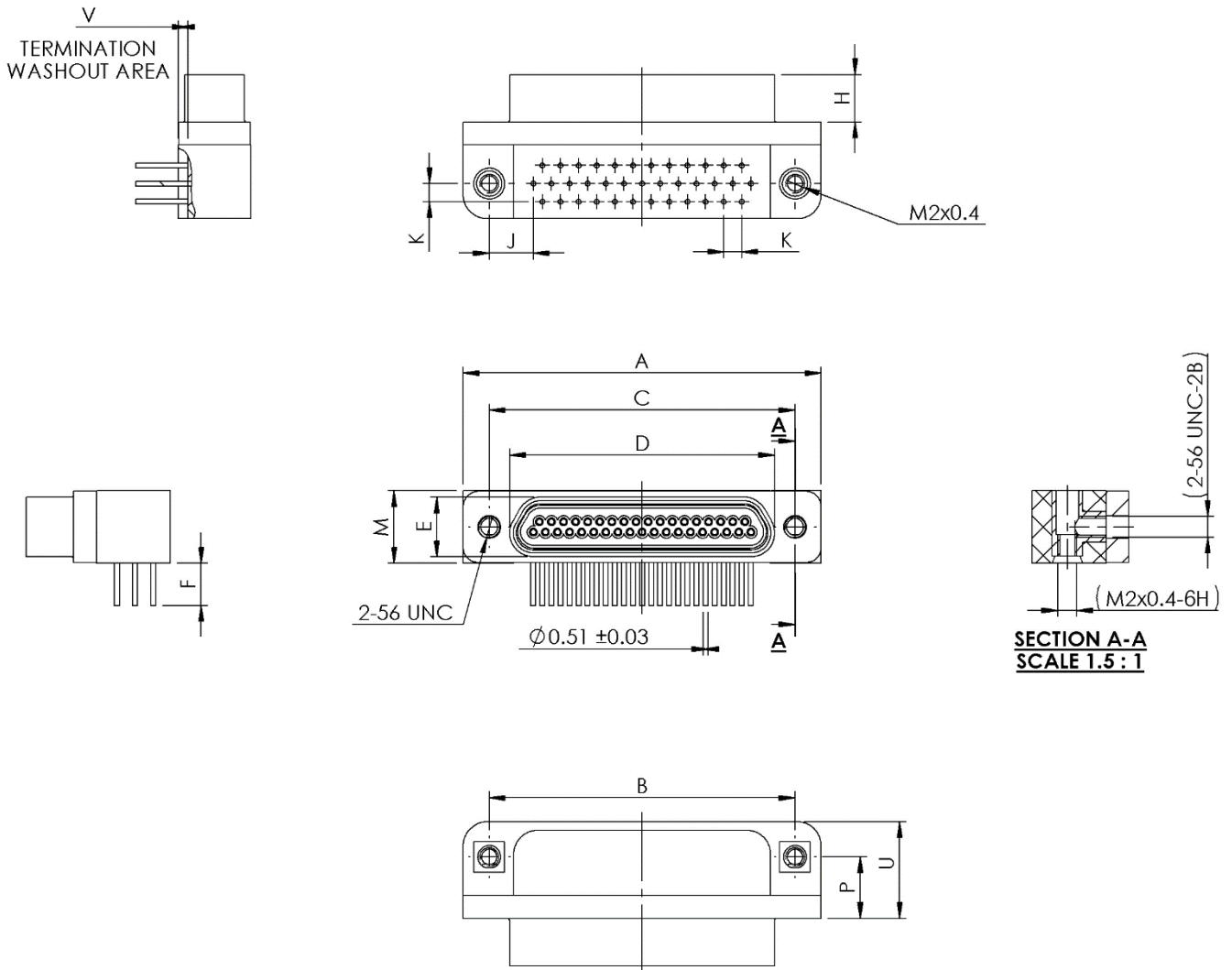
Shell Size	A Max.	B		C		D Max.	E Max.	F	
		Min.	Max.	Min.	Max.			Min.	Max.
9	19.94	14.22	14.48	14.22	14.48	8.48	4.69	4.45	5.21
15	23.75	18.03	18.29	18.03	18.29	12.29	4.69	4.45	5.21
21	27.55	21.84	22.1	21.84	22.1	16.1	4.69	4.45	5.21
25	30.1	24.38	24.64	24.38	24.64	18.64	4.69	4.45	5.21
31	33.91	28.19	28.45	28.19	28.45	22.45	4.69	4.45	5.21
37	37.72	32	32.26	32	32.26	26.26	4.69	4.45	5.21

Shell Size	H		J Typ.	K Typ.	M Max.	P		U Max.	V	
	Min.	Max.				Min.	Max.		Min.	Max.
9	4.57	4.73	3.37	1.905	7.87	6.1	6.6	10.16	0.89	1.15
15	4.57	4.73	4.32	1.905	7.87	6.1	6.6	10.16	0.89	1.15
21	4.57	4.73	4.32	1.905	7.87	6.1	6.6	10.16	0.89	1.15
25	4.57	4.73	4.64	1.905	7.87	6.1	6.6	10.16	0.89	1.15
31	4.57	4.73	4.64	1.905	7.87	6.1	6.6	10.16	0.89	1.15
37	4.57	4.73	4.64	1.905	7.87	6.1	6.6	10.16	0.89	1.15

NOTES:

1. All dimensions are in millimetres.
2. Torque:
 - For 2-56 UNC-2B mating holes: 0.44Nm min / 0.48Nm max.
 - For M2 x0.4-6H mounting holes: 0.15Nm min. / 0.2Nm max.

FIGURE 2.2N - CONNECTORS TYPE – GMR7590
RECEPTACLE FEMALE CONTACTS



Shell Size	A Max.	B		C		D Max.	E Max.	E	
		Min.	Max.	Min.	Max.			Min.	Max.
9	19.94	14.22	14.48	14.22	14.48	10.16	6.38	4.45	5.21
15	23.75	18.03	18.29	18.03	18.29	13.97	6.38	4.45	5.21
21	27.56	21.83	22.1	21.83	22.1	17.78	6.38	4.45	5.21
25	30.1	24.38	24.64	24.38	24.64	20.32	6.38	4.45	5.21
31	33.91	28.19	28.45	28.19	28.45	24.13	6.38	4.45	5.21
37	37.72	32	32.26	32	32.26	27.94	6.38	4.45	5.21

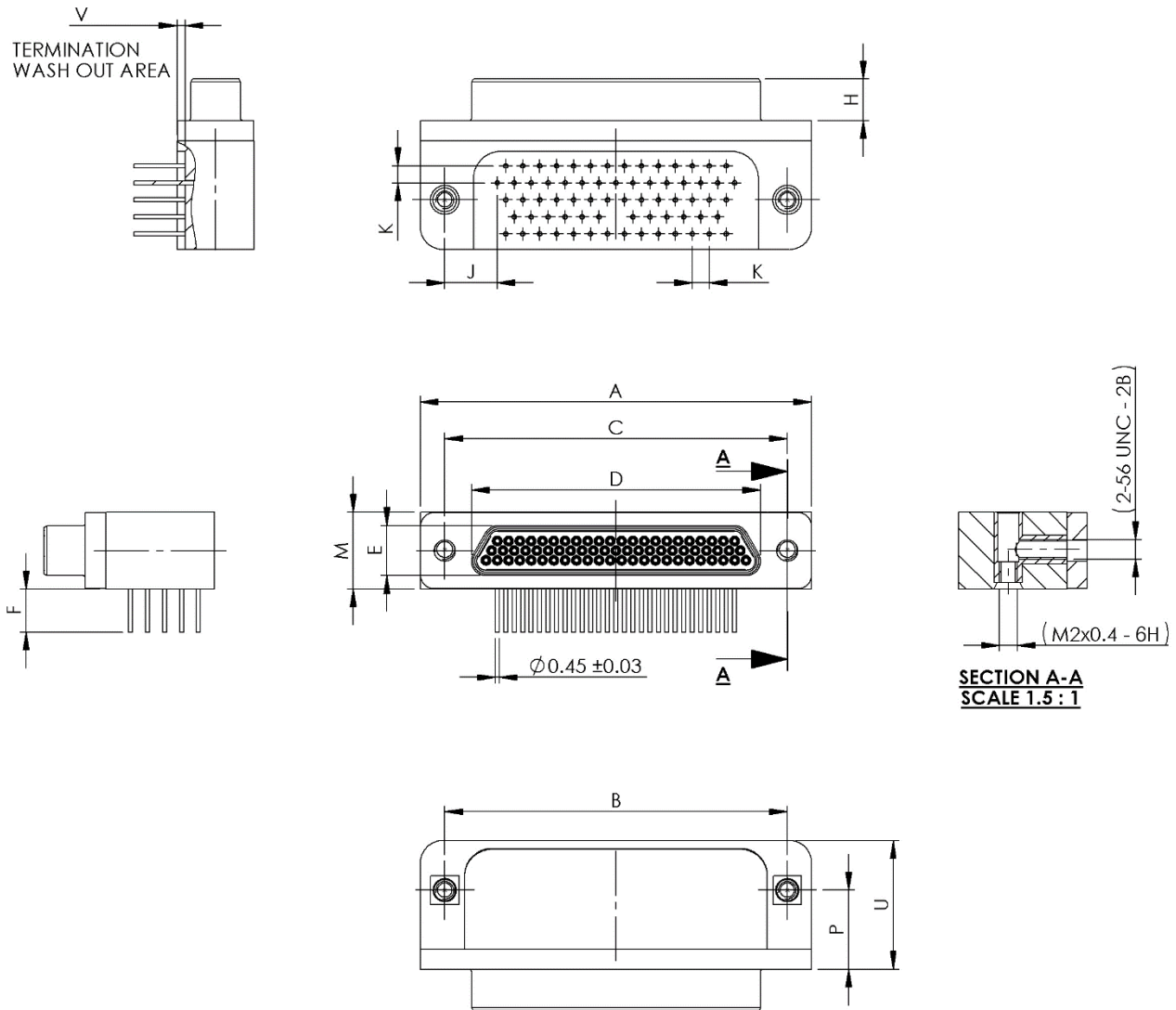
Shell Size	H		J Typ.	K Typ.	M Max.	P		U Max.	V	
	Min.	Max.				Min.	Max.		Min.	Max.
9	4.87	5.03	3.37	1.905	7.87	6.1	6.6	10.16	0.89	1.15
15	4.87	5.03	4.32	1.905	7.87	6.1	6.6	10.16	0.89	1.15
21	4.87	5.03	4.32	1.905	7.87	6.1	6.6	10.16	0.89	1.15
25	4.87	5.03	4.64	1.905	7.87	6.1	6.6	10.16	0.89	1.15
31	4.87	5.03	4.64	1.905	7.87	6.1	6.6	10.16	0.89	1.15
37	4.87	5.03	4.64	1.905	7.87	6.1	6.6	10.16	0.89	1.15

NOTES:

1. All dimensions are in millimetres.
2. Torque:
 - For 2-56 UNC-2B mating holes: 0.44Nm min / 0.48Nm max.
 - For M2 x0.4-6H mounting holes: 0.15Nm min. / 0.2Nm max.

FIGURE 2.20 - CONNECTORS TYPE – GMR7590

PLUG MALE CONTACTS



SECTION A-A
SCALE 1.5 : 1

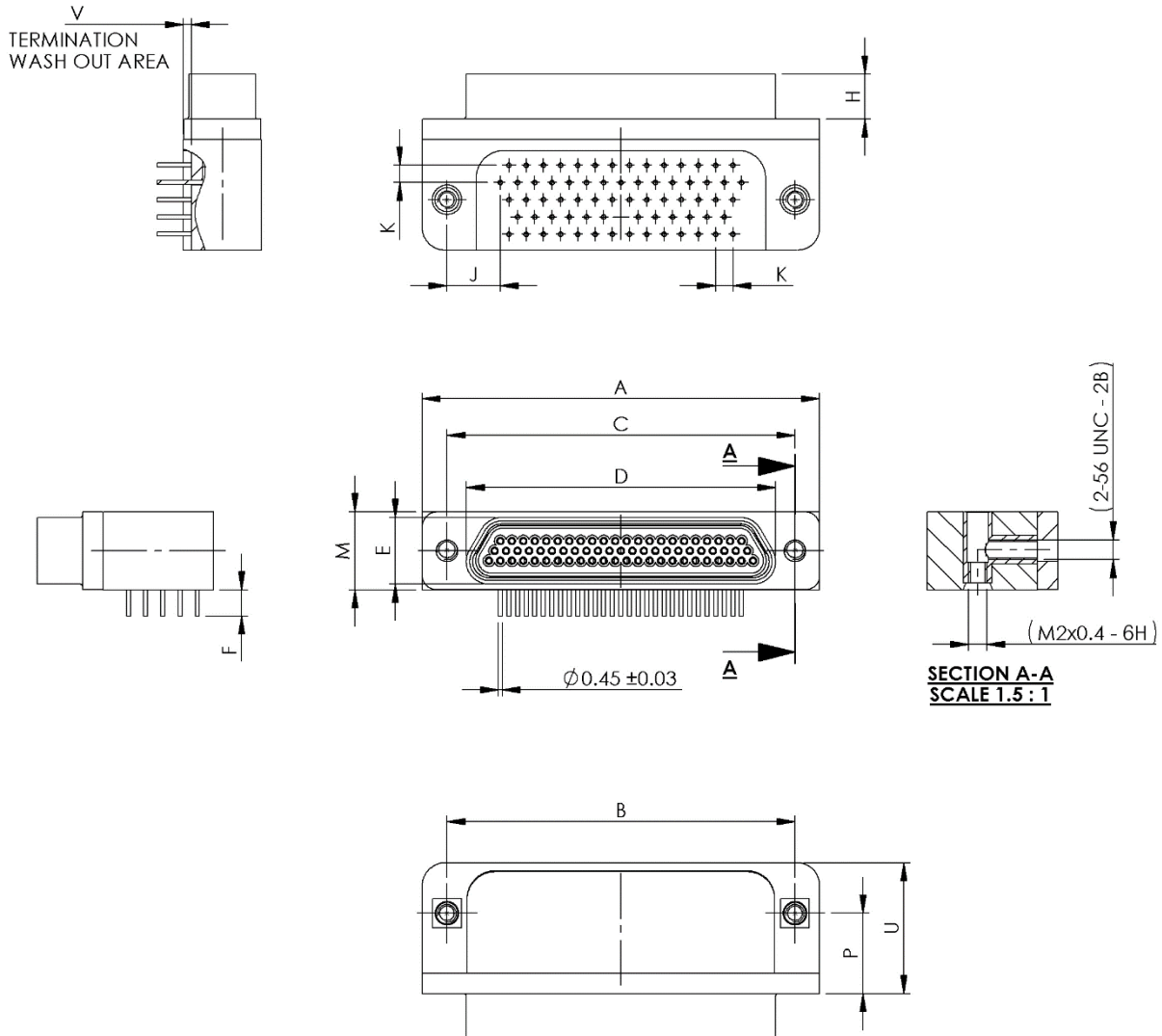
Shell Size	A Max.	B		C		D Max.	E Max.	F	
		Min.	Max.	Min.	Max.			Min.	Max.
51	36.45	30.73	30.99	30.73	30.99	24.99	5.79	4.45	5.21
69	44.07	38.35	38.61	38.35	38.61	32.61	5.79	4.45	5.21

Shell Size	H		J Typ.	K Typ.	M Max.	P		U Max.	V	
	Min.	Max.				Min.	Max.		Min.	Max.
51	4.57	4.73	3.05	1.905	8.92	7.37	7.87	12.45	0.89	1.15
69	4.57	4.73	5.91	1.905	8.92	8.64	9.14	14.5	0.77	0.9

NOTES:

1. All dimensions are in millimetres.
2. Torque:
 - For 2-56 UNC-2B mating holes: 0.44Nm min / 0.48Nm max.
 - For M2 x0.4-6H mounting holes: 0.15Nm min. / 0.2Nm max.

FIGURE 2.2P - CONNECTORS TYPE – GMR7590
RECEPTACLE FEMALE CONTACTS



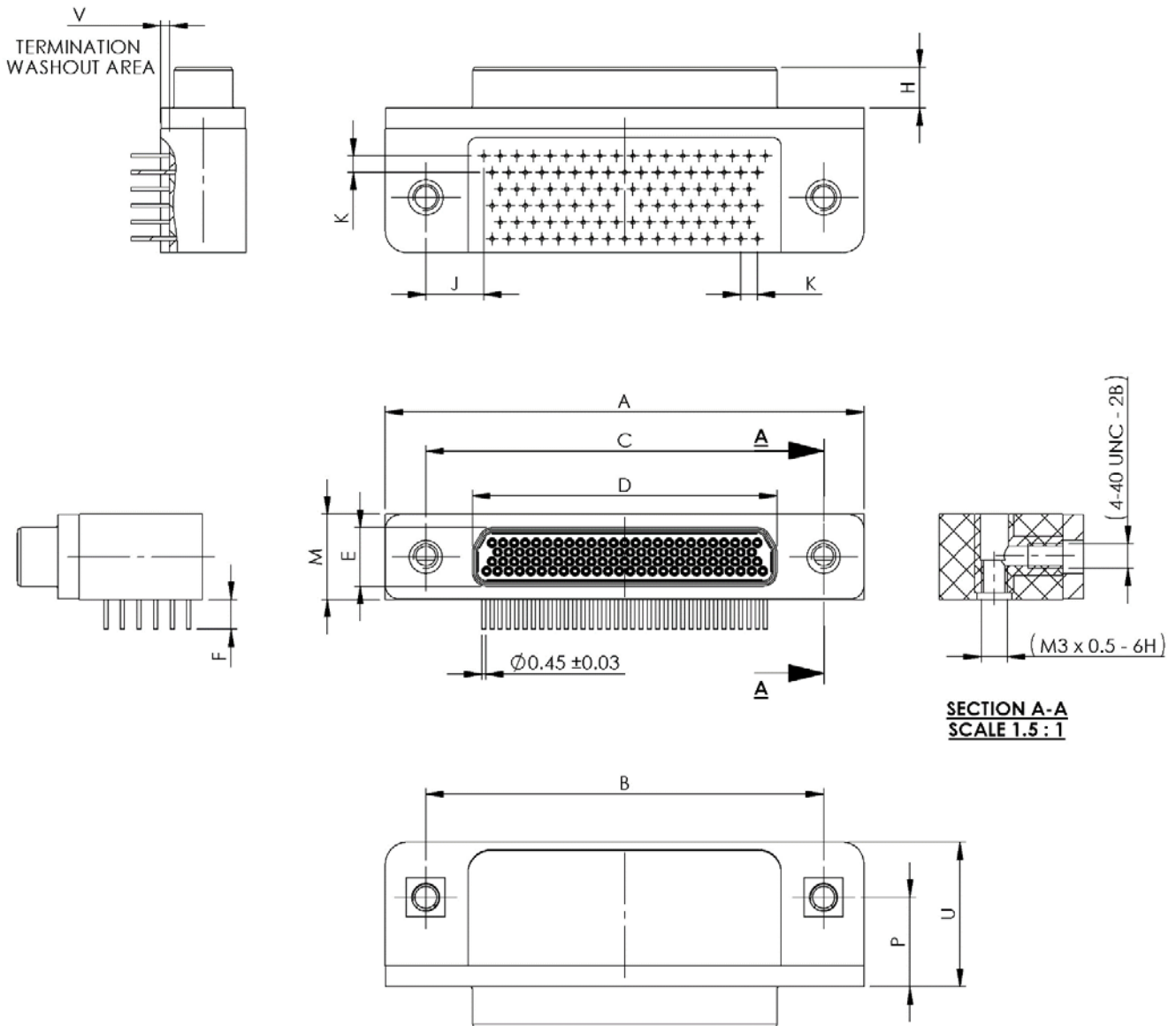
Shell Size	A Max.	B		C		D Max.	E Max.	F	
		Min.	Max.	Min.	Max.			Min.	Max.
51	36.45	30.73	30.99	30.73	30.99	26.67	7.52	4.45	5.21
69	44.07	38.35	38.61	38.35	38.61	34.29	7.52	4.45	5.21

Shell Size	H		J Typ.	K Typ.	M Max.	P		U Max.	V	
	Min.	Max.				Min.	Max.		Min.	Max.
51	4.88	5.03	3.05	1.905	8.92	7.37	7.87	12.45	0.89	1.15
69	4.88	5.03	5.91	1.905	8.92	8.64	9.14	14.5	0.77	0.9

NOTES:

1. All dimensions are in millimetres.
2. Torque:
 - For 2-56 UNC-2B mating holes: 0.44Nm min / 0.48Nm max.
 - For M2 x0.4-6H mounting holes: 0.15Nm min. / 0.2Nm max.

FIGURE 2.2Q - CONNECTORS TYPE – GMR7590
PLUG MALE CONTACTS



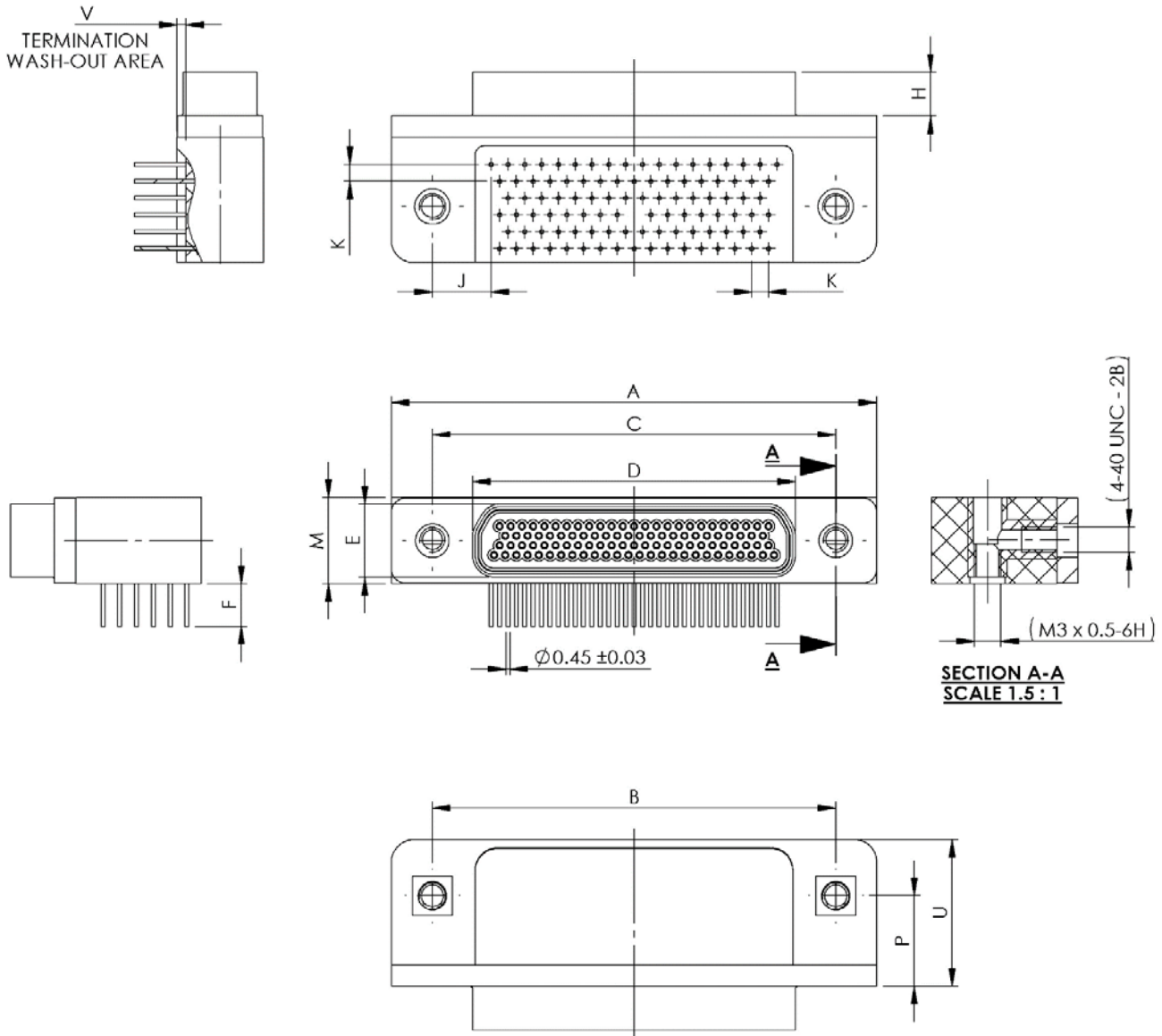
Shell Size	A Max.	B		C		D Max.	E Max.	E	
		Min.	Max.	Min.	Max.			Min.	Max.
100	55.12	45.59	45.85	45.59	45.85	35.15	6.88	4.45	5.21

Shell Size	H		J Typ.	K Typ.	M Max.	P		U Max.	V	
	Min.	Max.				Min.	Max.		Min.	Max.
100	4.57	4.72	6.67	1.905	10.01	9.91	10.41	16.76	0.89	1.15

NOTES:

1. All dimensions are in millimetres.
2. Torque:
 - For 4-40 UNC-2B mating holes: 0.4Nm min / 0.45Nm max.
 - For M3 x0.5-6H mounting holes: 0.25Nm min. / 0.3Nm max.

**FIGURE 2.2R - CONNECTORS TYPE – GMR7590
RECEPTACLE FEMALE CONTACTS**



Shell Size	A Max.	B		C		D Max.	E Max.	E	
		Min.	Max.	Min.	Max.			Min.	Max.
100	55.12	45.59	45.85	45.59	45.85	38.3	10.01	4.45	5.21

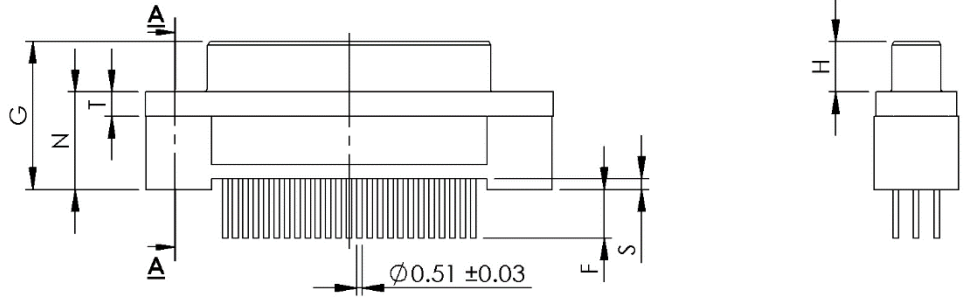
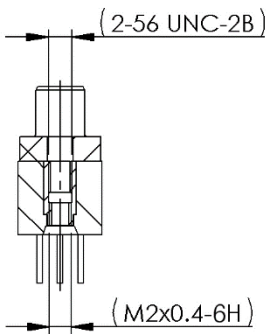
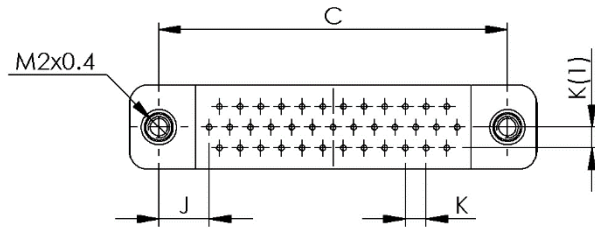
Shell Size	H		J Typ.	K Typ.	M Max.	P		U Max.	V	
	Min.	Max.				Min.	Max.		Min.	Max.
100	4.88	5.03	6.67	1.905	10.01	9.91	10.41	16.76	0.89	1.15

NOTES:

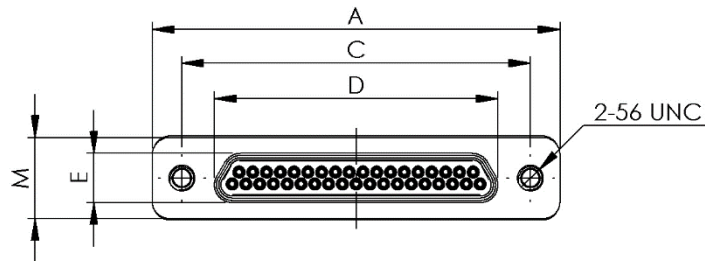
1. All dimensions are in millimetres.
2. Torque:
 - For 4-40 UNC-2B mating holes: 0.4Nm min / 0.45Nm max.
 - For M3 x0.5-6H mounting holes: 0.25Nm min. / 0.3Nm max.

FIGURE 2.2S - CONNECTORS TYPE – GMR7580

PLUG MALE CONTACTS



SECTION A-A



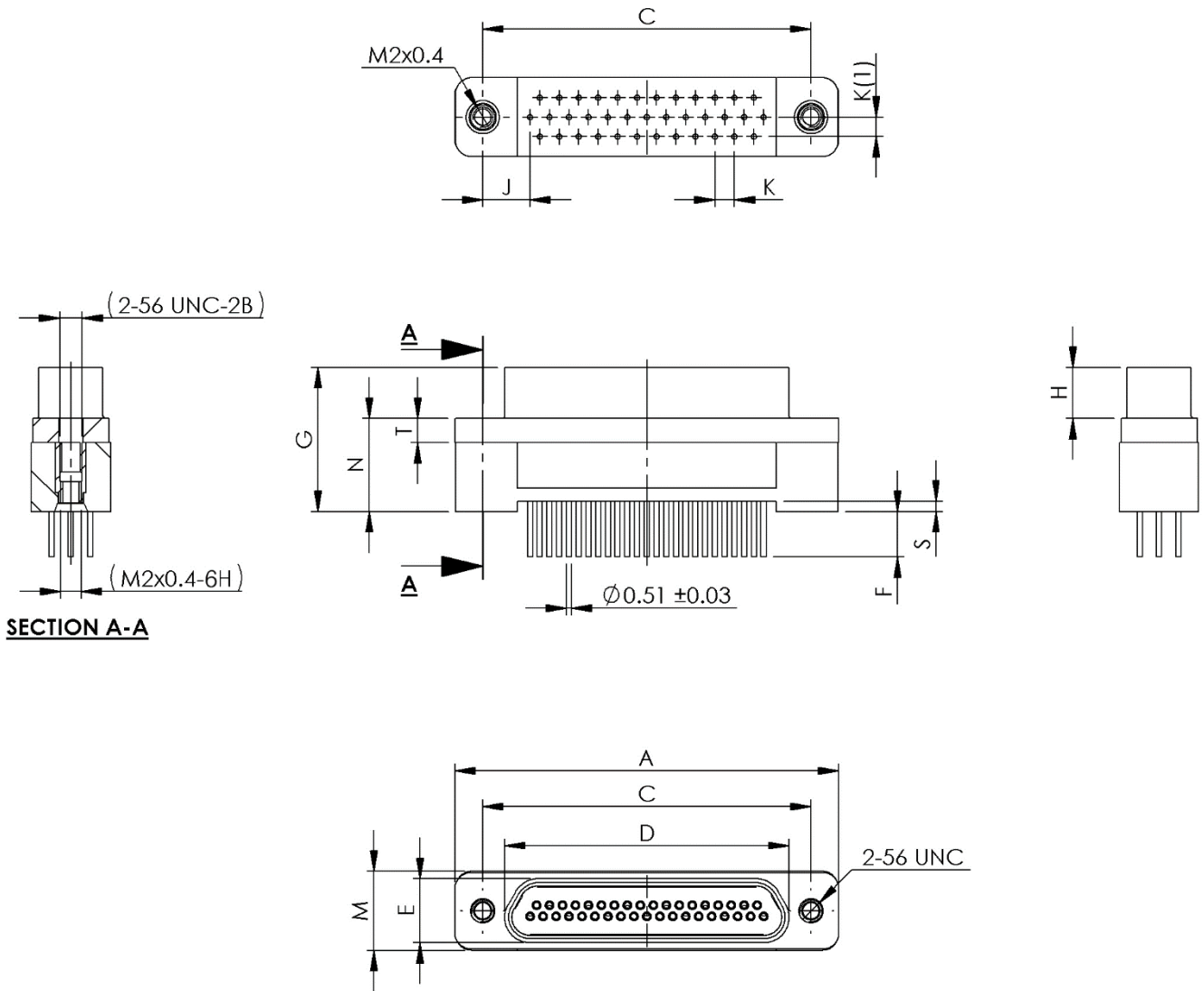
Shell Size	A Max.	C		D Max.	E Max.	F		G Max.	H	
		Min.	Max.			Min.	Max.		Min.	Max.
9	19.94	14.22	14.48	8.48	4.69	4.45	5.21	13.97	4.57	4.73
15	23.75	18.03	18.29	12.29	4.69	4.45	5.21	13.97	4.57	4.73
21	27.56	21.84	22.1	16.1	4.69	4.45	5.21	13.97	4.57	4.73
25	30.1	24.38	24.64	18.64	4.69	4.45	5.21	13.97	4.57	4.73
31	33.91	28.19	28.45	22.45	4.69	4.45	5.21	13.97	4.57	4.73
37	37.72	32	32.26	26.26	4.69	4.45	5.21	13.97	4.57	4.73

Shell Size	J Typ.	K Typ.	K(1) Typ.	M Max.	N		S		T	
					Min.	Max.	Min.	Max.	Min.	Max.
9	3.37	1.905	1.905	7.82	8.76	9.02	0.89	1.15	2.24	2.49
15	4.32	1.905	1.905	7.82	8.76	9.02	0.89	1.15	2.24	2.49
21	4.32	1.905	1.905	7.82	8.76	9.02	0.89	1.15	2.24	2.49
25	4.64	1.905	1.905	7.82	8.76	9.02	0.89	1.15	2.24	2.49
31	4.64	1.905	1.905	7.82	8.76	9.02	0.89	1.15	2.24	2.49
37	4.64	1.905	1.905	7.82	8.76	9.02	0.89	1.15	2.24	2.49

NOTES:

1. All dimensions are in millimetres.
2. Torque:
 - For 2-56 UNC-2B mating holes: 0.44Nm min / 0.48Nm max.
 - For M2 x0.4-6H mounting holes: 0.15Nm min. / 0.2Nm max.

FIGURE 2.2T - CONNECTORS TYPE – GMR7580
RECEPTACLE FEMALE CONTACTS



Shell Size	A Max.	C		D Max.	E Max.	E		G Max.	H	
		Min.	Max.			Min.	Max.		Min.	Max.
9	19.94	14.22	14.48	10.16	6.38	4.45	5.21	14.1	4.87	5.03
15	23.75	18.03	18.29	13.97	6.38	4.45	5.21	14.1	4.87	5.03
21	27.56	21.84	22.1	17.78	6.38	4.45	5.21	14.1	4.87	5.03
25	30.1	24.38	24.64	20.32	6.38	4.45	5.21	14.1	4.87	5.03
31	33.91	28.19	28.45	24.13	6.38	4.45	5.21	14.1	4.87	5.03
37	37.72	32	32.26	27.94	6.38	4.45	5.21	14.1	4.87	5.03

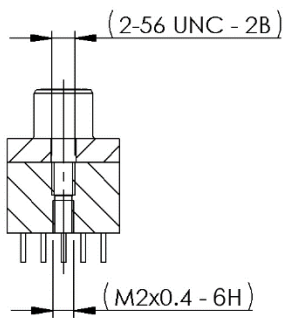
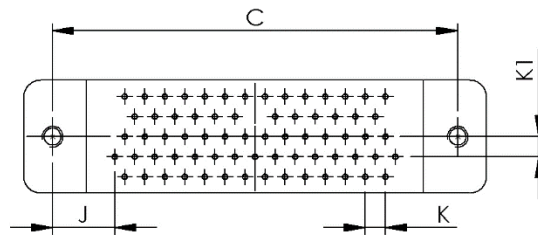
Shell Size	J Typ.	K Typ.	K(1) Typ.	M Max.	N		S		T	
					Min.	Max.	Min.	Max.	Min.	Max.
9	3.37	1.905	1.905	7.87	8.76	9.02	0.89	1.02	2.24	2.49
15	4.32	1.905	1.905	7.87	8.76	9.02	0.89	1.02	2.24	2.49
21	4.32	1.905	1.905	7.87	8.76	9.02	0.89	1.02	2.24	2.49
25	4.64	1.905	1.905	7.87	8.76	9.02	0.89	1.02	2.24	2.49
31	4.64	1.905	1.905	7.87	8.76	9.02	0.89	1.02	2.24	2.49
37	4.64	1.905	1.905	7.87	8.76	9.02	0.89	1.02	2.24	2.49

NOTES:

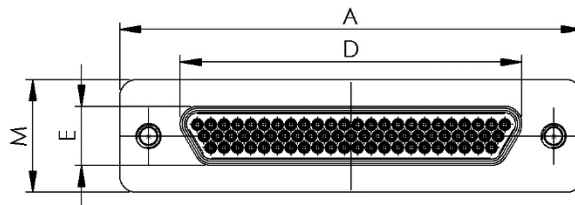
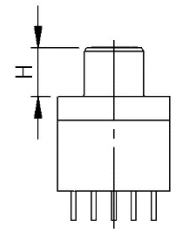
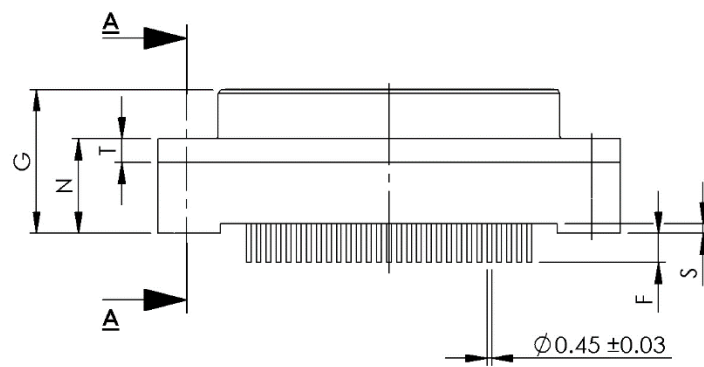
1. All dimensions are in millimetres.
2. Torque:
 - For 2-56 UNC-2B mating holes: 0.44Nm min / 0.48Nm max.
 - For M2 x0.4-6H mounting holes: 0.15Nm min. / 0.2Nm max.

FIGURE 2.2U - CONNECTORS TYPE – GMR7580

PLUG MALE CONTACTS



SECTION A-A
SCALE 1.5 : 1



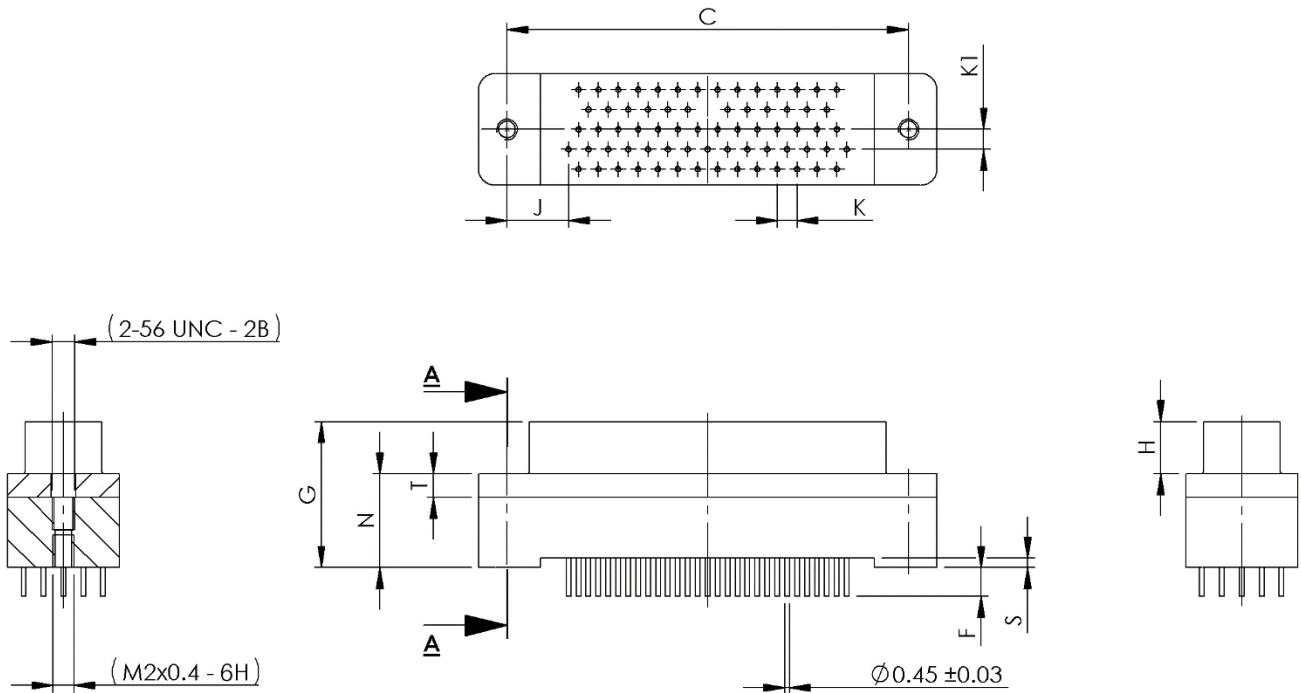
Shell Size	A Max.	C		D Max.	E Max.	E		G Max.	H	
		Min.	Max.			Min.	Max.		Min.	Max.
51	36.45	30.73	30.99	24.99	5.79	4.45	5.21	13.74	4.57	4.72
69	44.07	38.35	38.61	32.61	5.79	4.45	5.21	13.74	4.57	4.72

Shell Size	J Typ.	K Typ.	K(1) Typ.	M Max.	N		S		T	
					Min.	Max.	Min.	Max.	Min.	Max.
51	3.05	1.905	1.905	8.92	8.76	9.02	0.77	0.9	2.24	2.49
69	5.91	1.905	1.905	10.83	8.76	9.02	0.77	0.9	2.24	2.49

NOTES:

1. All dimensions are in millimetres.
2. Torque:
 - For 2-56 UNC-2B mating holes: 0.44Nm min / 0.48Nm max.
 - For M2 x0.4-6H mounting holes: 0.15Nm min. / 0.2Nm max.

FIGURE 2.2V - CONNECTORS TYPE – GMR7580
RECEPTACLE FEMALE CONTACTS



SECTION A-A
SCALE 1.5 : 1

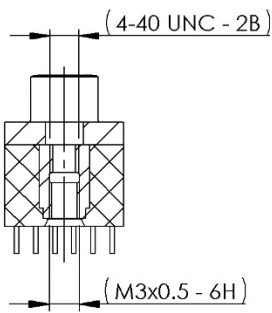
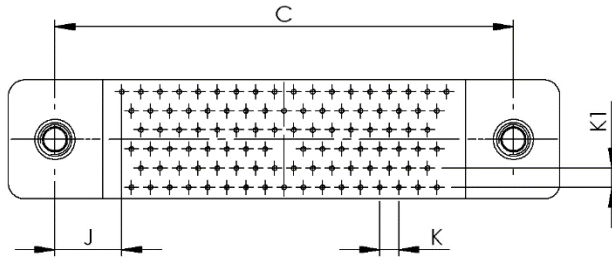
Shell Size	A Max.	C		D Max.	E Max.	E		G Max.	H	
		Min.	Max.			Min.	Max.		Min.	Max.
51	36.45	30.73	30.99	26.67	7.52	4.45	5.21	14.05	4.88	5.03
69	44.07	38.35	38.61	34.29	7.52	4.45	5.21	14.05	4.88	5.03

Shell Size	J Typ.	K Typ.	K(1) Typ.	M Max.	N		S		T	
					Min.	Max.	Min.	Max.	Min.	Max.
51	3.05	1.905	1.905	8.92	8.76	9.02	0.77	0.9	2.24	2.49
69	5.91	1.905	1.905	10.83	8.76	9.02	0.77	0.9	2.24	2.49

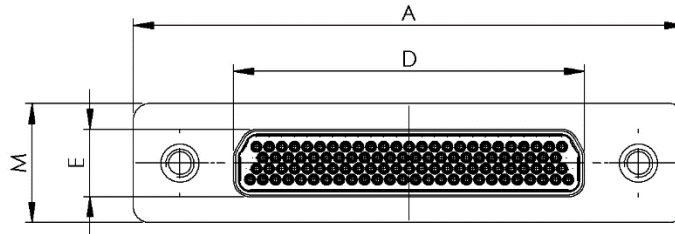
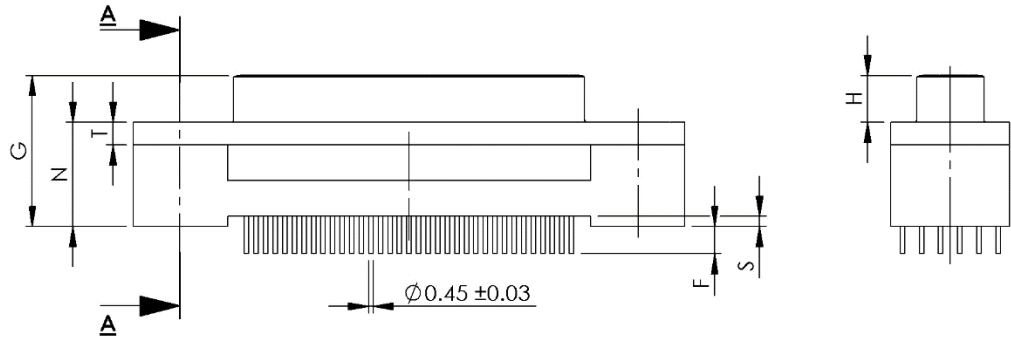
NOTES:

1. All dimensions are in millimetres.
2. Torque:
 - For 2-56 UNC-2B mating holes: 0.44Nm min / 0.48Nm max.
 - For M2 x0.4-6H mounting holes: 0.15Nm min. / 0.2Nm max.

FIGURE 2.2W - CONNECTORS TYPE – GMR7580
PLUG MALE CONTACTS



SECTION A-A
SCALE 1.5 : 1



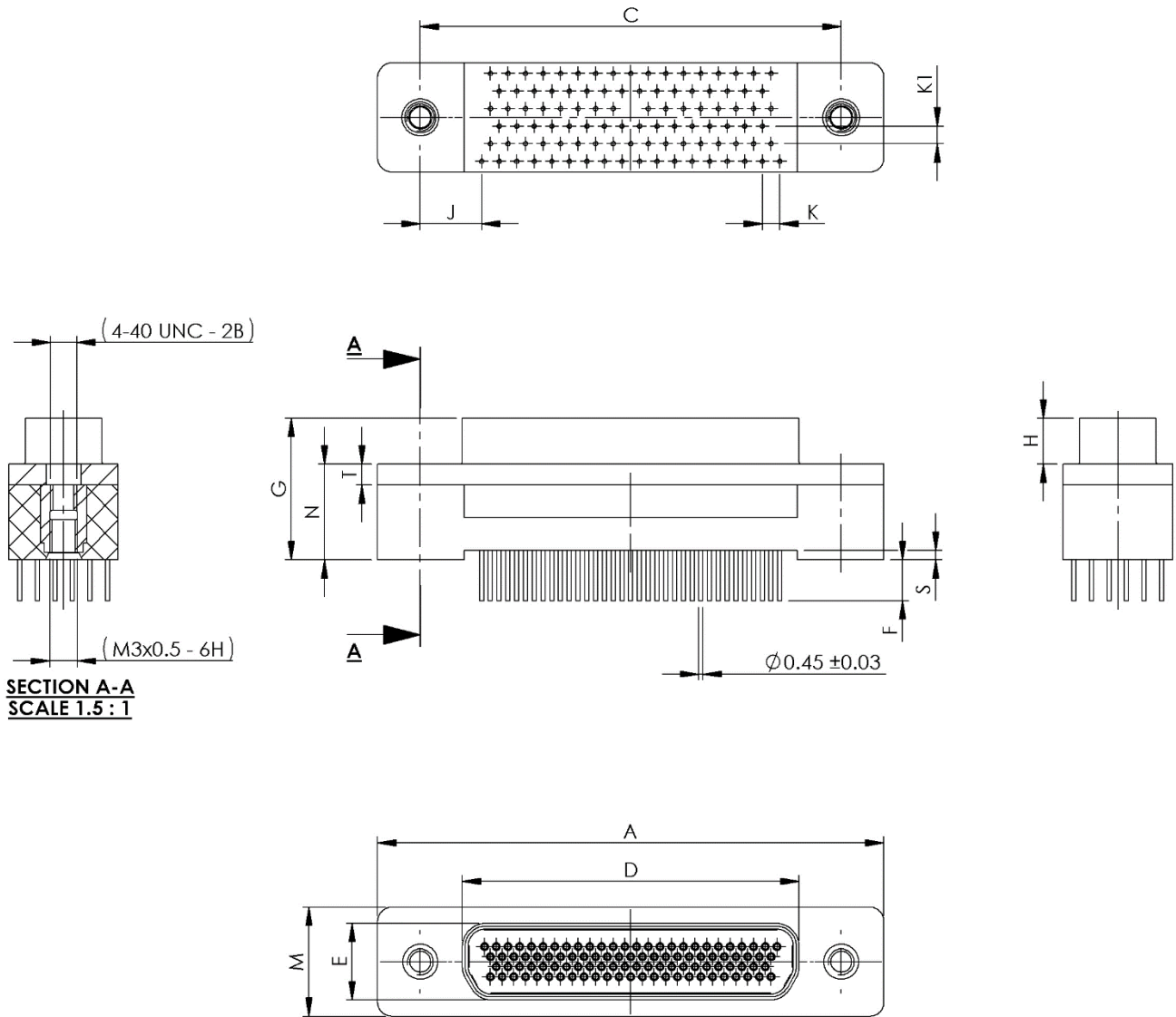
Shell Size	A Max.	C		D Max.	E Max.	F		G Max.	H	
		Min.	Max.			Min.	Max.		Min.	Max.
100	52.12	45.59	45.85	35.15	6.88	4.45	5.21	15.64	4.57	4.72

Shell Size	J Typ.	K Typ.	K(1) Typ.	M Max.	N		S		T	
					Min.	Max.	Min.	Max.	Min.	Max.
100	6.67	1.905	1.905	11.99	10.24	10.92	0.89	1.15	2.24	2.49

NOTES:

1. All dimensions are in millimetres.
2. Torque:
 - For 4-40 UNC-2B mating holes: 0.4Nm min / 0.45Nm max.
 - For M3 x0.5-6H mounting holes: 0.25Nm min. / 0.3Nm max.

FIGURE 2.2X - CONNECTORS TYPE – GMR7580
RECEPTACLE FEMALE CONTACTS



SECTION A-A
SCALE 1.5 : 1

Shell Size	A Max.	C		D Max.	E Max.	F		G Max.	H	
		Min.	Max.			Min.	Max.		Min.	Max.
100	55.12	45.59	45.85	38.3	10.01	4.45	5.21	15.95	4.88	5.03

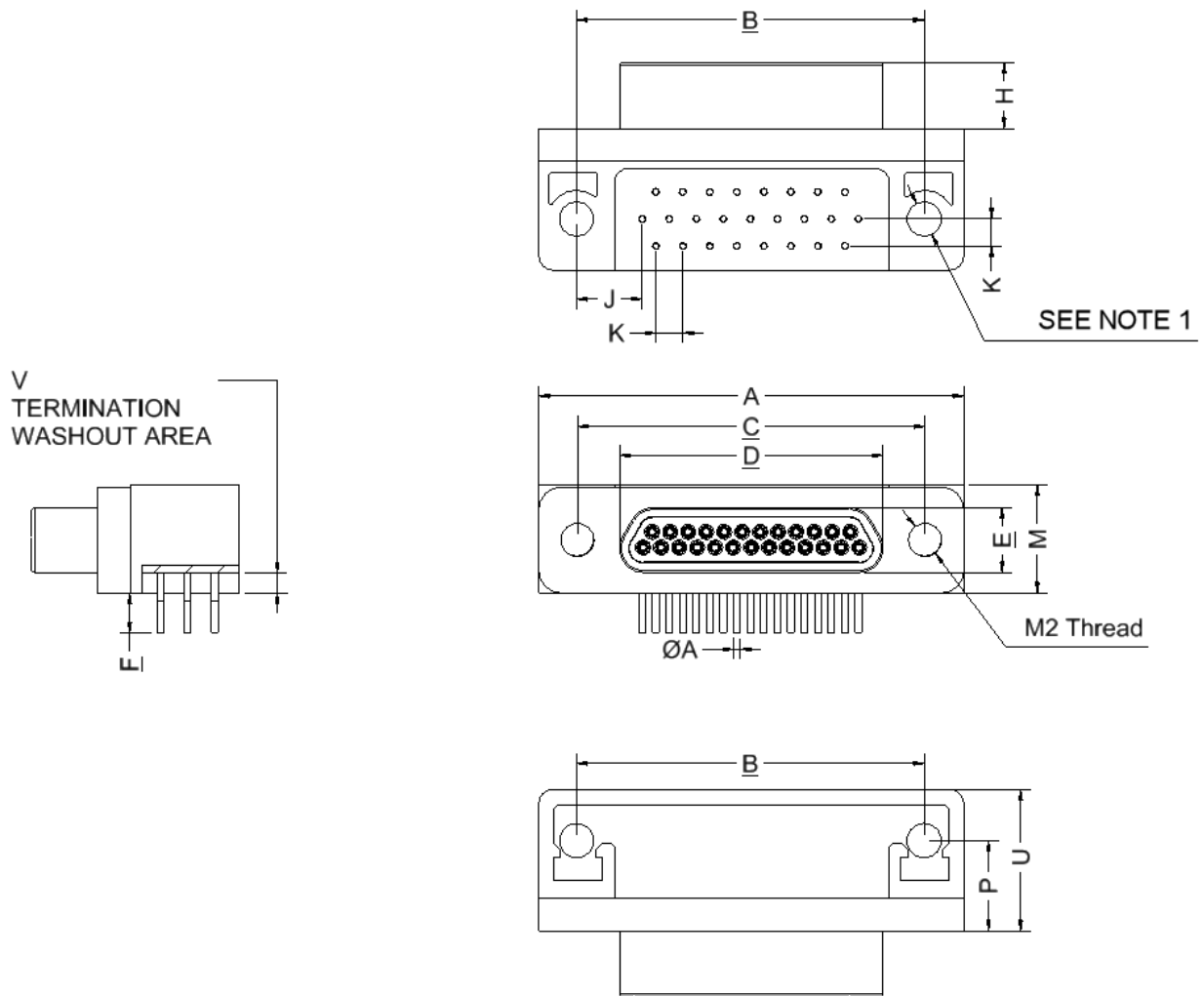
Shell Size	J Typ.	K Typ.	K(1) Typ.	M Max.	N		S		T	
					Min.	Max.	Min.	Max.	Min.	Max.
100	6.67	1.905	1.905	11.99	10.24	10.92	0.89	1.15	2.24	2.49

NOTES:

1. All dimensions are in millimetres.
2. Torque:
 - For 4-40 UNC-2B mating holes: 0.4Nm min / 0.45Nm max.
 - For M3 x0.5-6H mounting holes: 0.25Nm min. / 0.3Nm max.

FIGURE 2.2Y - CONNECTORS TYPE – 75RBB AND 75RBT

PLUG MALE CONTACTS



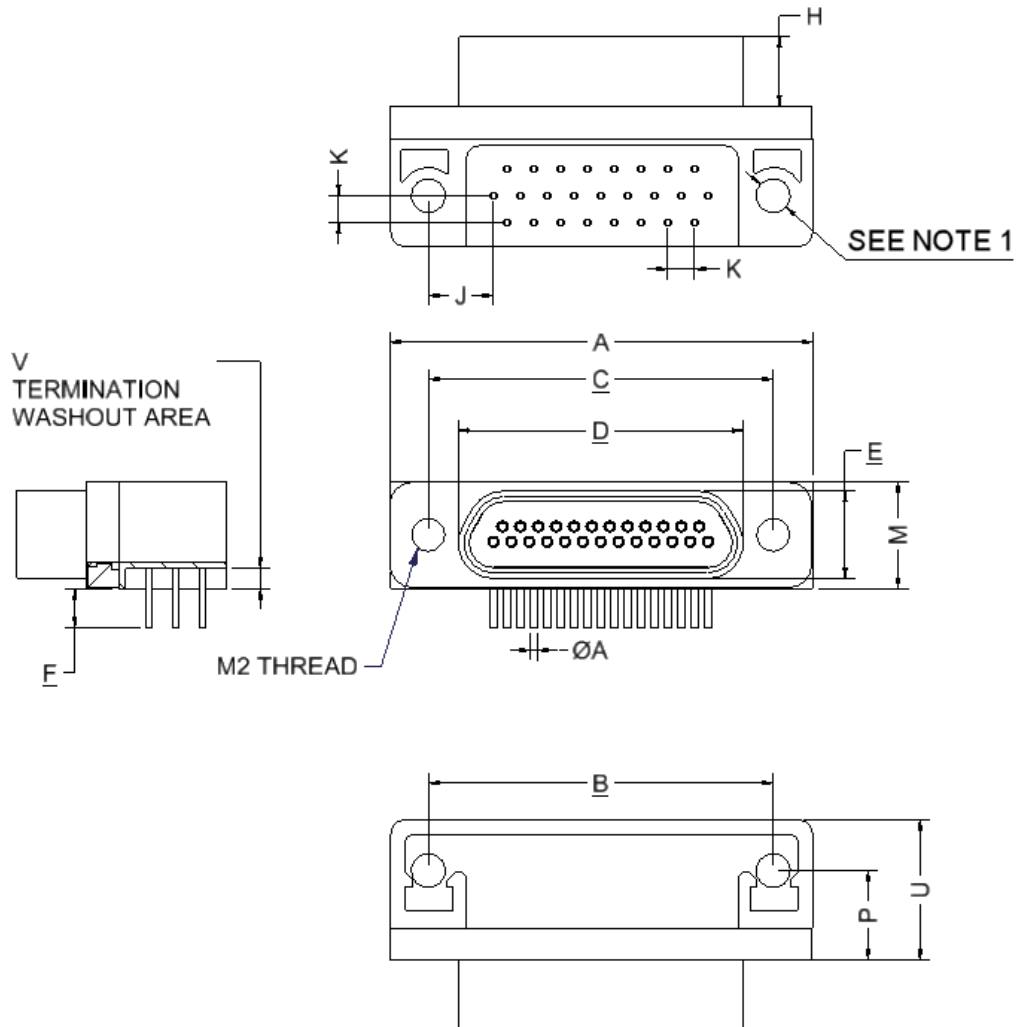
Shell Size	A Max.	B		C		D Max.	E Max.	E	
		Min.	Max.	Min.	Max.			Min.	Max.
9	19.94	14.22	14.48	14.22	14.48	8.48	4.69	4.45	5.21
15	23.75	18.03	18.29	18.03	18.29	12.29	4.69	4.45	5.21
21	27.56	21.84	22.1	21.84	22.1	16.1	4.69	4.45	5.21
25	30.1	24.38	24.64	24.38	24.64	18.64	4.69	4.45	5.21
31	33.91	28.19	28.45	28.19	28.45	22.45	4.69	4.45	5.21
37	37.72	32	32.26	32	32.26	26.26	4.69	4.45	5.21

Shell Size	H		J Typ.	K Typ.	M		P		U Max.	V	
	Min.	Max.			Min.	Max.	Min.	Max.		Min.	Max.
9	4.57	4.72	3.38	1.905	7.61	7.87	6.1	6.6	10.16	0.89	1.55
15	4.57	4.72	4.32	1.905	7.61	7.87	6.1	6.6	10.16	0.89	1.55
21	4.57	4.72	4.32	1.905	7.61	7.87	6.1	6.6	10.16	0.89	1.55
25	4.57	4.72	4.65	1.905	7.61	7.87	6.1	6.6	10.16	0.89	1.55
31	4.57	4.72	4.65	1.905	7.61	7.87	6.1	6.6	10.16	0.89	1.55
37	4.57	4.72	4.65	1.905	7.61	7.87	6.1	6.6	10.34	0.89	1.55

NOTES:

1. 75RBB is the code for a connector body with smooth holes of diameter $2.44 \pm 0.08\text{mm}$.
75RBT is the code for a connector body with threaded (2-56 UNC 2B) inserts.
2. All dimensions are in millimetres.
3. For $\varnothing A$ refer to $\varnothing D$ in Figure 2.4.
4. Torque 0.44 Nm min / 0.48 Nm max.

**FIGURE 2.2Z - CONNECTORS TYPE – 75RBB AND 75RBT
RECEPTACLE FEMALE CONTACTS**



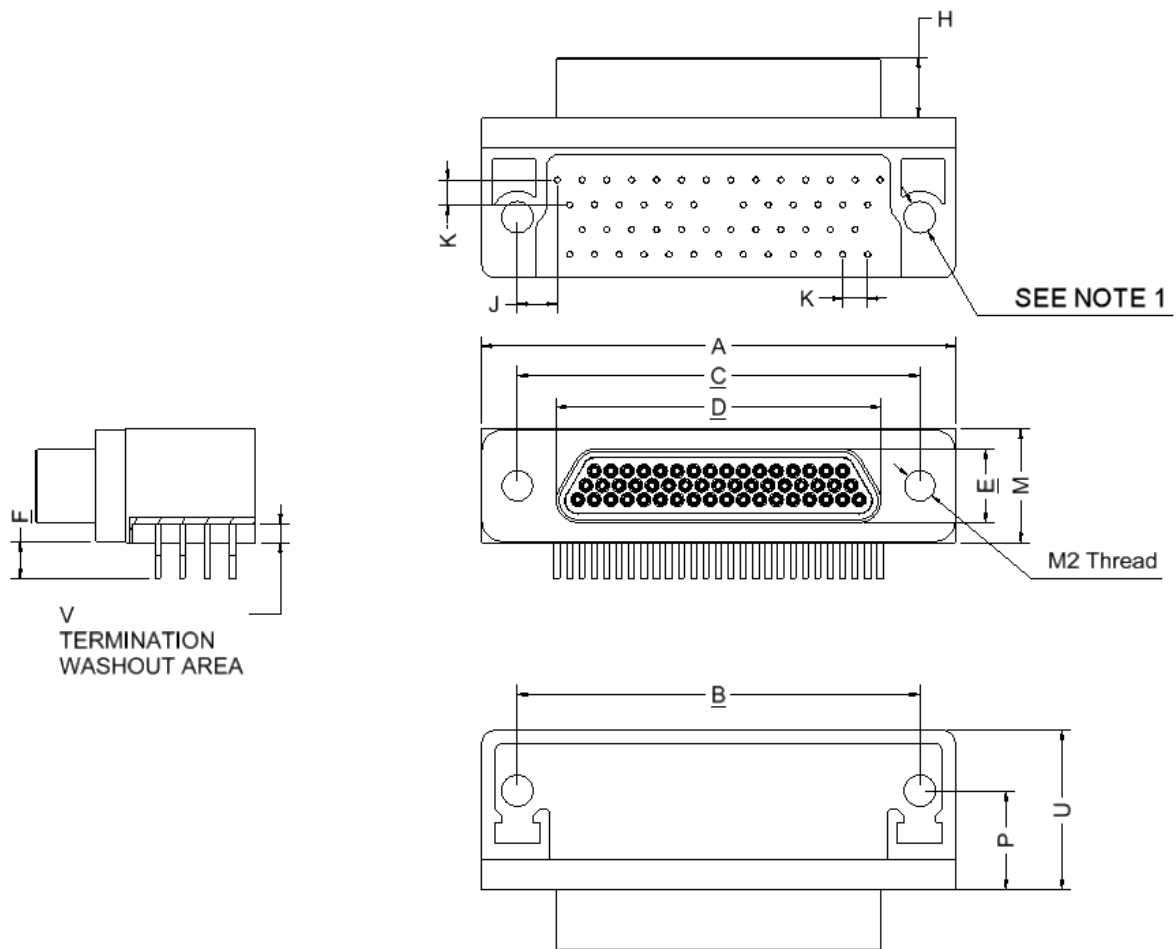
Shell Size	A Max.	B		C		D Max.	E Max.	F	
		Min.	Max.	Min.	Max.			Min.	Max.
9	19.94	14.22	14.48	14.22	14.48	10.16	6.38	4.45	5.21
15	23.75	18.03	18.29	18.03	18.29	13.97	6.38	4.45	5.21
21	27.56	21.84	22.1	21.84	22.1	17.78	6.38	4.45	5.21
25	30.1	24.38	24.64	24.38	24.64	20.32	6.38	4.45	5.21
31	33.91	28.19	28.45	28.19	28.45	24.13	6.38	4.45	5.21
37	37.72	32	32.26	32	32.26	27.94	6.38	4.45	5.21

Shell Size	H		J Typ.	K Typ.	M		P		U Max.	V	
	Min.	Max.			Min.	Max.	Min.	Max.		Min.	Max.
9	4.87	5.05	3.38	1.905	7.61	7.87	6.1	6.6	10.16	0.89	1.55
15	4.87	5.05	4.32	1.905	7.61	7.87	6.1	6.6	10.16	0.89	1.55
21	4.87	5.05	4.32	1.905	7.61	7.87	6.1	6.6	10.16	0.89	1.55
25	4.87	5.05	4.65	1.905	7.61	7.87	6.1	6.6	10.16	0.89	1.55
31	4.87	5.05	4.65	1.905	7.61	7.87	6.1	6.6	10.16	0.89	1.55
37	4.87	5.05	4.65	1.905	7.61	7.87	6.1	6.6	10.34	0.89	1.55

NOTES:

1. 75RBB is the code for a connector body with smooth holes of diameter $2.44 \pm 0.08\text{mm}$.
75RBT is the code for a connector body with threaded (2-56 UNC 2B) inserts.
2. All dimensions are in millimetres.
3. For $\varnothing A$ refer to $\varnothing D$ in Figure 2.4.
4. Torque 0.44 Nm min / 0.48 Nm max.

**FIGURE 2.2AA - CONNECTORS TYPE – 75RBB AND 75RBT
PLUG MALE CONTACTS**



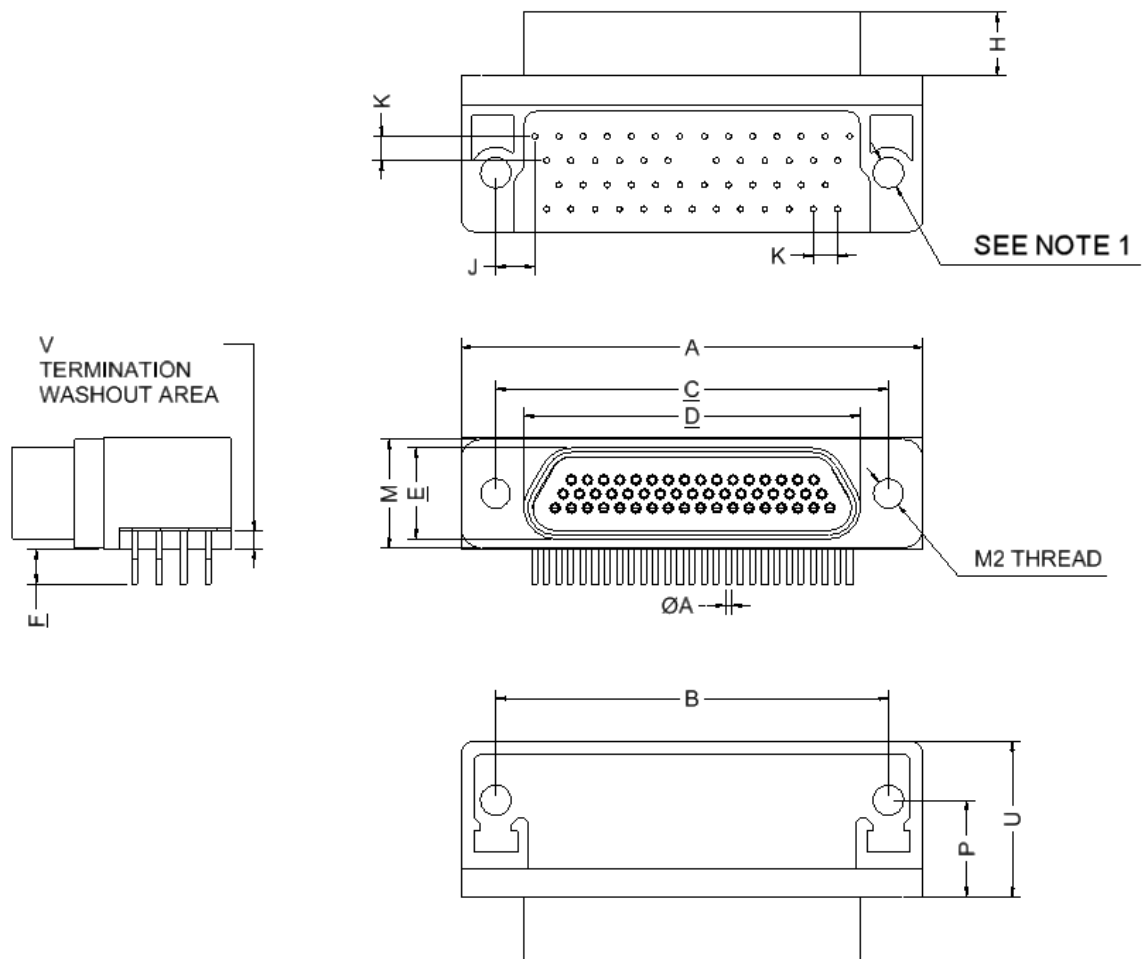
Shell Size	A Max.	B		C		D Max.	E Max.	F	
		Min.	Max.	Min.	Max.			Min.	Max.
51	36.45	30.73	30.99	30.73	30.99	24.99	5.79	4.45	5.21

Shell Size	H		J Typ.	K Typ.	M		P		U Max.	V	
	Min.	Max.			Min.	Max.	Min.	Max.		Min.	Max.
51	4.57	4.72	3.05	1.905	8.66	8.92	7.37	7.87	12.45	0.89	1.55

NOTES:

1. 75RBB is the code for a connector body with smooth holes of diameter 2.44 ± 0.08 mm.
75RBT is the code for a connector body with threaded (2-56 UNC 2B) inserts.
2. All dimensions are in millimetres.
3. For $\varnothing A$ refer to $\varnothing D$ in Figure 2.4.
4. Torque 0.44 Nm min / 0.48 Nm max.

**FIGURE 2.2AB - CONNECTORS TYPE – 75RBB AND 75RBT
RECEPTACLE FEMALE CONTACTS**



Shell Size	A Max.	B		C		D Max.	E Max.	F	
		Min.	Max.	Min.	Max.			Min.	Max.
51	36.45	30.73	30.99	30.73	30.99	26.7	7.44	4.45	5.21

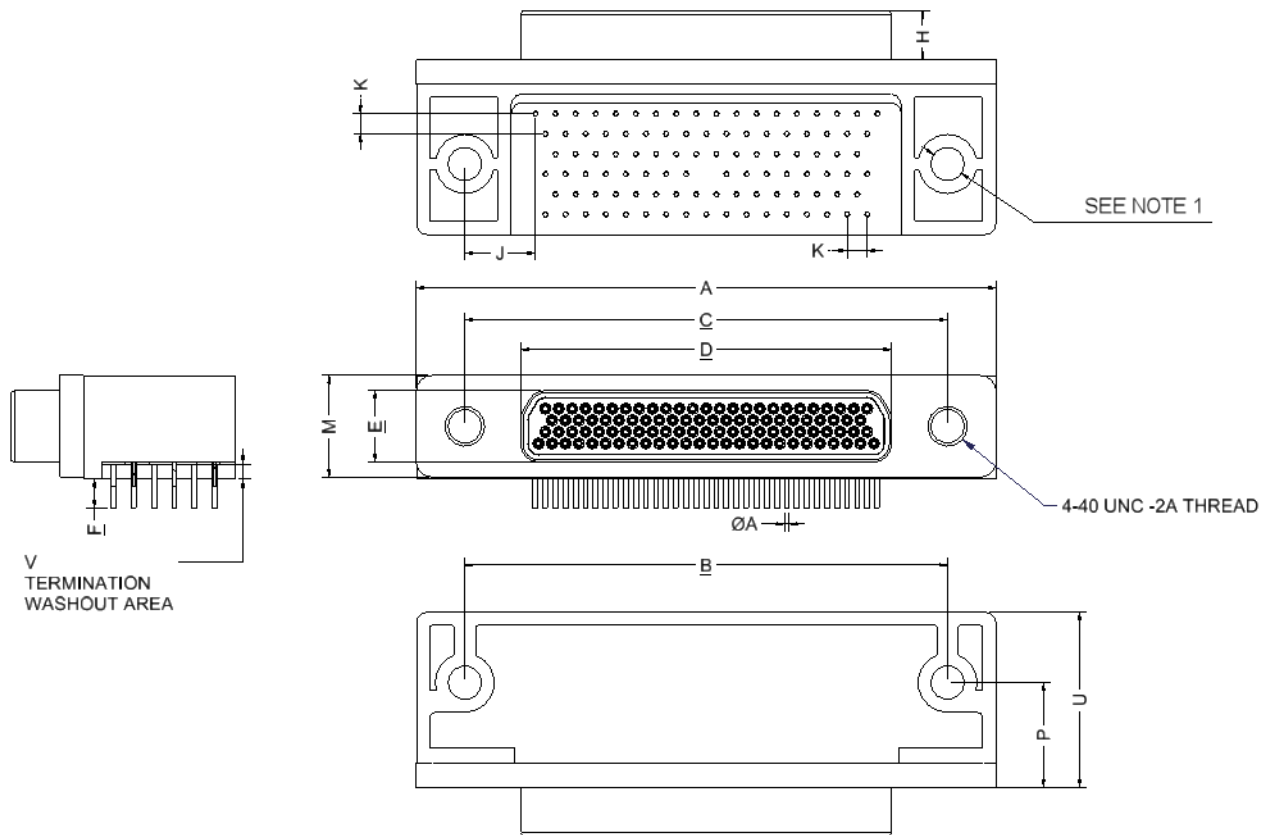
Shell Size	H		J Typ.	K Typ.	M		P		U Max.	V	
	Min.	Max.			Min.	Max.	Min.	Max.		Min.	Max.
51	4.87	5.05	3.05	1.905	8.66	8.92	7.37	7.87	12.45	0.89	1.55

NOTES:

1. 75RBB is the code for a connector body with smooth holes of diameter 2.44 ± 0.08 mm. 75RBT is the code for a connector body with threaded (2-56 UNC 2B) inserts.
2. All dimensions are in millimetres.
3. For $\varnothing A$ refer to $\varnothing D$ in Figure 2.4.
4. Torque 0.44 Nm min / 0.48 Nm max.

FIGURE 2.2AC - CONNECTORS TYPE – 75RBB AND 75RBT

PLUG MALE CONTACTS



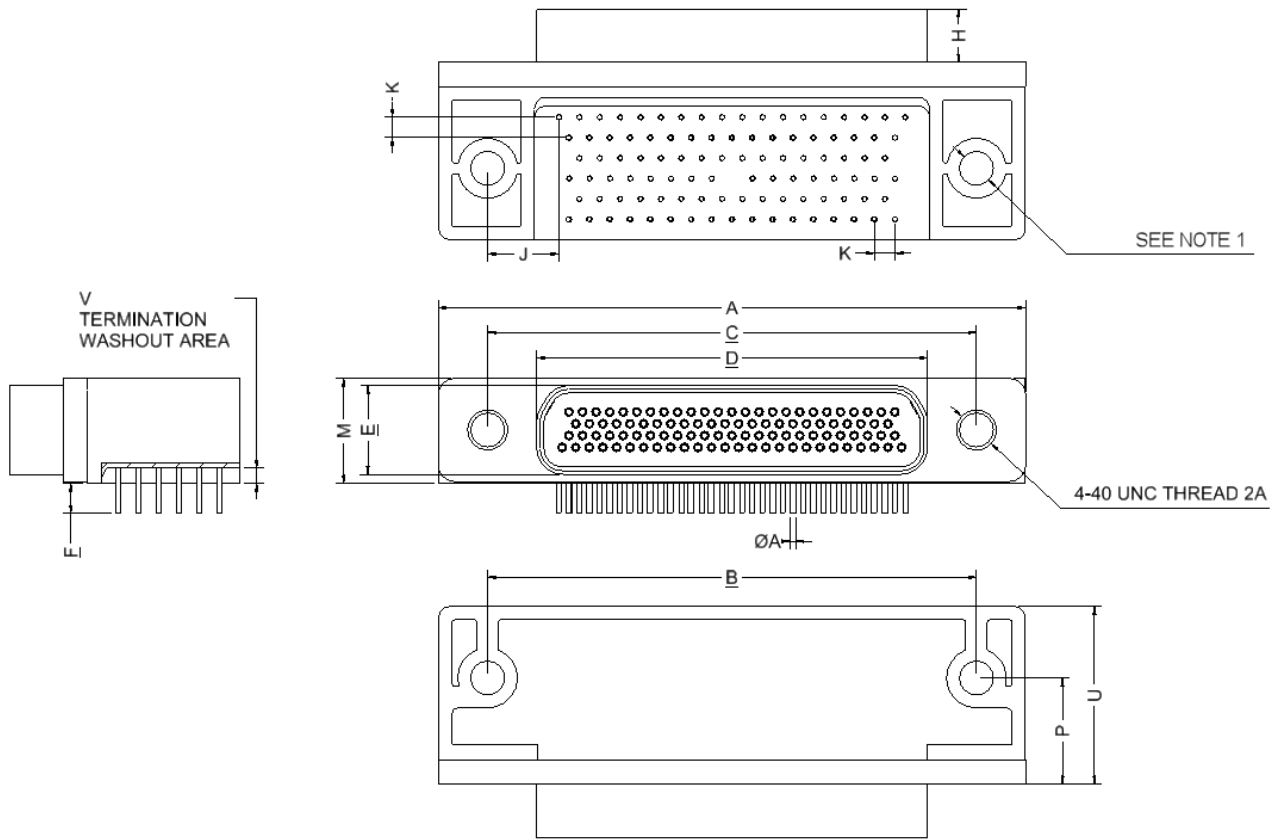
Shell Size	A Max.	B		C		D Max.	E Max.	F	
		Min.	Max.	Min.	Max.			Min.	Max.
100	55.12	45.59	45.85	45.59	45.85	35.15	6.88	4.45	5.21

Shell Size	H		J Typ.	K Typ.	M		P		U Max.	V	
	Min.	Max.			Min.	Max.	Min.	Max.		Min.	Max.
100	4.57	4.73	6.68	1.905	9.68	10	9.91	10.4	16.76	0.89	1.55

NOTES:

1. 75RBB is the code for a connector body with smooth holes of diameter 3.18 ± 0.08 mm. 75RBT is the code for a connector body with threaded (4-40 UNC 2B) inserts.
2. All dimensions are in millimetres.
3. For $\varnothing A$ refer to $\varnothing D$ in Figure 2.4.
4. Torque 0.44 Nm min / 0.48 Nm max.

**FIGURE 2.2AD - CONNECTORS TYPE – 75RBB AND 75RBT
RECEPTACLE FEMALE CONTACTS**



Shell Size	A Max.	B		C		D Max.	E Max.	F	
		Min.	Max.	Min.	Max.			Min.	Max.
100	55.12	45.59	45.85	45.59	45.85	36.86	10	4.45	5.21

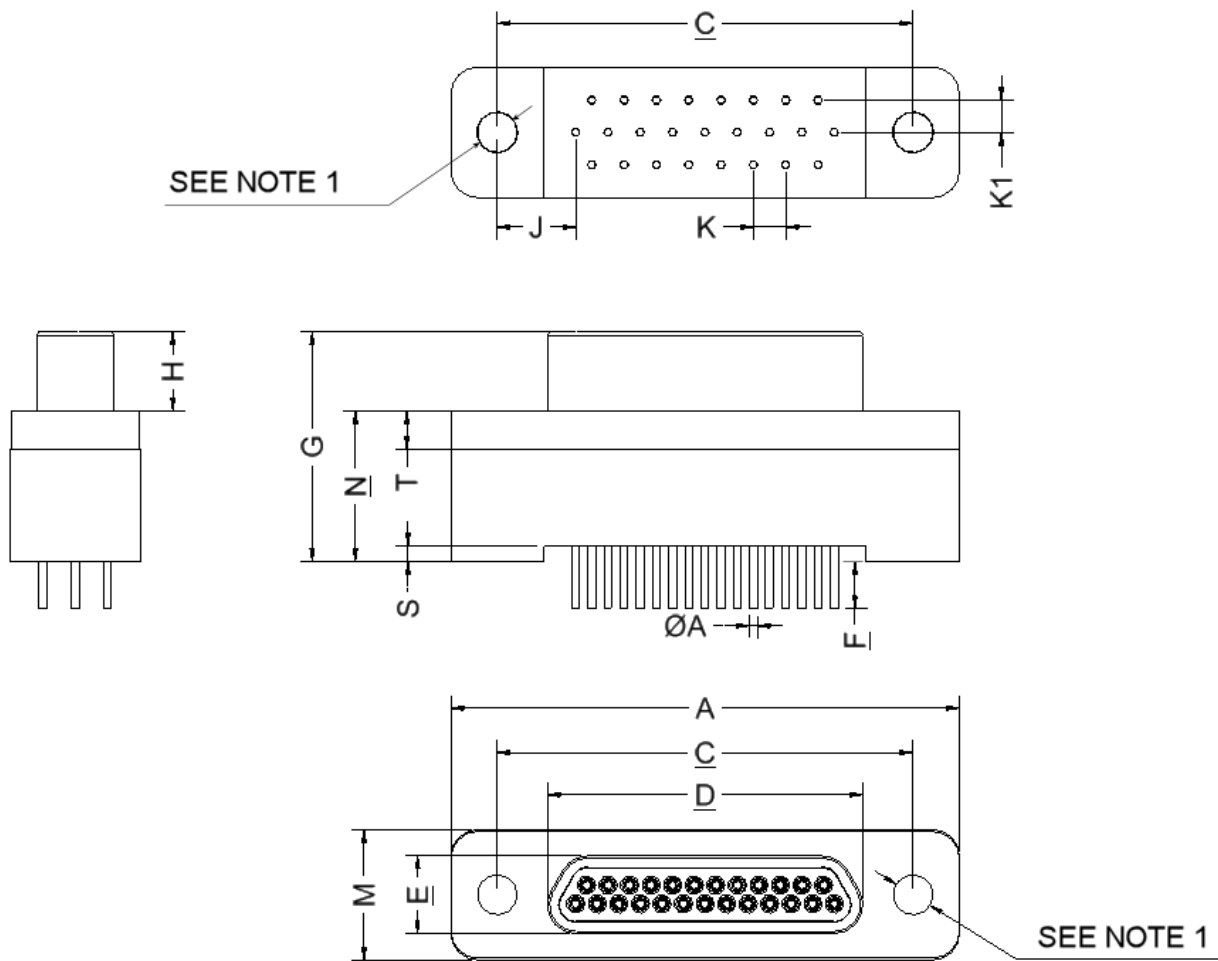
Shell Size	H		J Typ.	K Typ.	M		P		U Max.	V	
	Min.	Max.			Min.	Max.	Min.	Max.		Min.	Max.
100	4.87	5.05	6.68	1.905	9.68	10	9.91	10.41	16.76	0.89	1.55

NOTES:

1. 75RBB is the code for a connector body with smooth holes of diameter 3.18 ± 0.08 mm.
75RBT is the code for a connector body with threaded (4-40 UNC 2B) inserts.
2. All dimensions are in millimetres.
3. For ØA refer to ØD in Figure 2.4.
4. Torque 0.44 Nm min / 0.48 Nm max.

FIGURE 2.2AE - CONNECTORS TYPE – 75SBB AND 75SBT

PLUG MALE CONTACTS



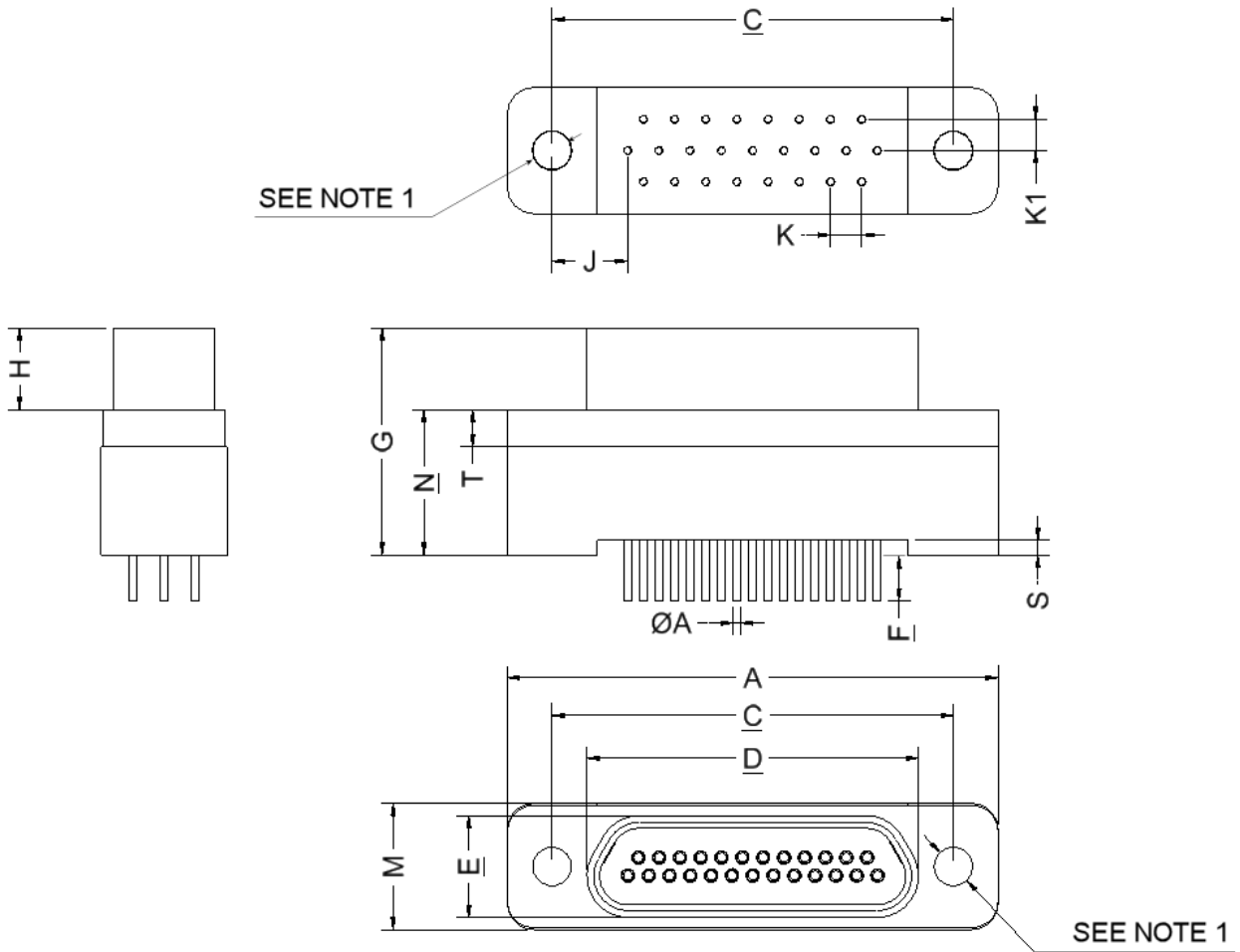
Shell Size	A Max.	C		D Max.	E Max.	E		G Max.	H	
		Min.	Max.			Min.	Max.		Min.	Max.
9	19.94	14.22	14.48	8.48	4.69	4.45	5.21	13.97	4.57	4.72
15	23.75	18.03	18.29	12.29	4.69	4.45	5.21	13.97	4.57	4.72
21	27.56	21.84	22.1	16.1	4.69	4.45	5.21	13.97	4.57	4.72
25	30.1	24.38	24.64	18.64	4.69	4.45	5.21	13.97	4.57	4.72
31	33.91	28.19	28.45	22.45	4.69	4.45	5.21	13.97	4.57	4.72
37	37.72	32	32.26	26.26	4.69	4.45	5.21	13.97	4.57	4.72

Shell Size	J Typ.	K Typ.	K1 Typ.	M		N		S		T	
				Min.	Max.	Min.	Max.	Min.	Max.	Min.	Max.
9	3.38	1.905	1.905	7.61	7.87	8.73	9.03	0.38	1.02	2.23	2.44
15	4.32	1.905	1.905	7.61	7.87	8.73	9.03	0.38	1.02	2.23	2.44
21	4.32	1.905	1.905	7.61	7.87	8.73	9.03	0.38	1.02	2.23	2.44
25	4.65	1.905	1.905	7.61	7.87	8.73	9.03	0.38	1.02	2.23	2.44
31	4.65	1.905	1.905	7.61	7.87	8.73	9.03	0.38	1.02	2.23	2.44
37	4.65	1.905	1.905	7.61	7.87	8.73	9.03	0.38	1.02	2.23	2.44

NOTES:

1. 75SBB is the code for a connector body with smooth holes of diameter 2.36 ± 0.08 mm.
75SBT is the code for a connector body with threaded (2-56 UNC 2B) inserts.
2. All dimensions are in millimetres.
3. For $\varnothing A$ refer to $\varnothing D$ in Figure 2.4.
4. Torque 0.44 Nm min / 0.48 Nm max.

**FIGURE 2.2AF - CONNECTORS TYPE – 75SBB AND 75SBT
RECEPTACLE FEMALE CONTACTS**



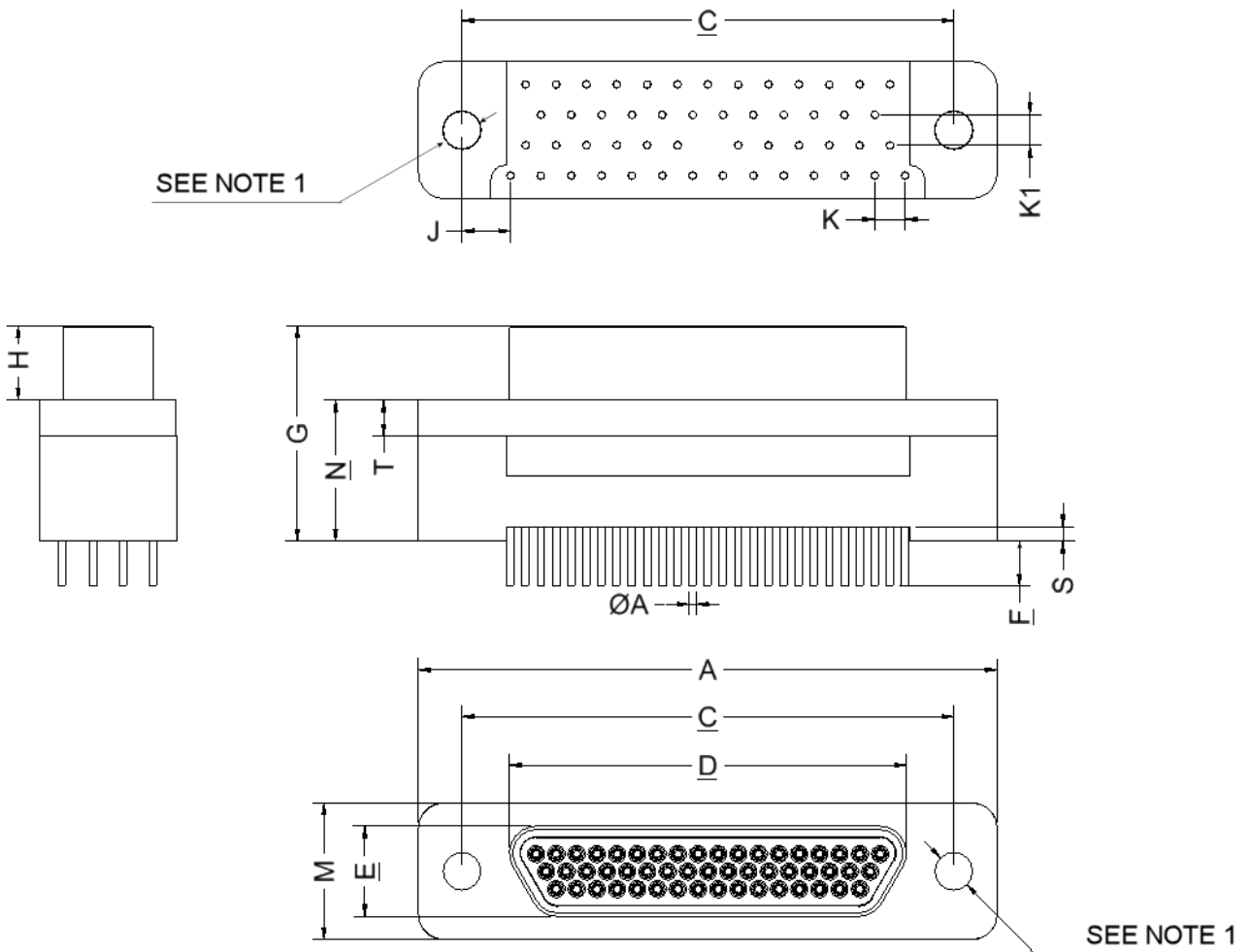
Shell Size	A Max.	C		D Max.	E Max.	F		G Max.	H	
		Min.	Max.			Min.	Max.		Min.	Max.
9	19.94	14.22	14.48	10.16	6.38	4.45	5.21	14.1	4.87	5.05
15	23.75	18.03	18.29	13.97	6.38	4.45	5.21	14.1	4.87	5.05
21	27.56	21.84	22.1	17.78	6.38	4.45	5.21	14.1	4.87	5.05
25	30.1	24.38	24.64	20.32	6.38	4.45	5.21	14.1	4.87	5.05
31	33.91	28.19	28.45	24.13	6.38	4.45	5.21	14.1	4.87	5.05
37	37.72	32	32.26	27.94	6.38	4.45	5.21	14.1	4.87	5.05

Shell Size	J Typ.	K Typ.	K1 Typ.	M		N		S		T	
				Min.	Max.	Min.	Max.	Min.	Max.	Min.	Max.
9	3.38	1.905	1.905	7.61	7.87	8.73	9.03	0.38	1.02	2.23	2.44
15	4.32	1.905	1.905	7.61	7.87	8.73	9.03	0.38	1.02	2.23	2.44
21	4.32	1.905	1.905	7.61	7.87	8.73	9.03	0.38	1.02	2.23	2.44
25	4.65	1.905	1.905	7.61	7.87	8.73	9.03	0.38	1.02	2.23	2.44
31	4.65	1.905	1.905	7.61	7.87	8.73	9.03	0.38	1.02	2.23	2.44
37	4.65	1.905	1.905	7.61	7.87	8.73	9.03	0.38	1.02	2.23	2.44

NOTES:

1. 75SBB is the code for a connector body with smooth holes of diameter 2.36 ± 0.08 mm.
75SBT is the code for a connector body with threaded (2-56 UNC 2B) inserts.
2. All dimensions are in millimetres.
3. For $\varnothing A$ refer to $\varnothing D$ in Figure 2.4.
4. Torque 0.44 Nm min / 0.48 Nm max.

**FIGURE 2.2AG - CONNECTORS TYPE – 75SBB AND 75SBT
PLUG MALE CONTACTS**



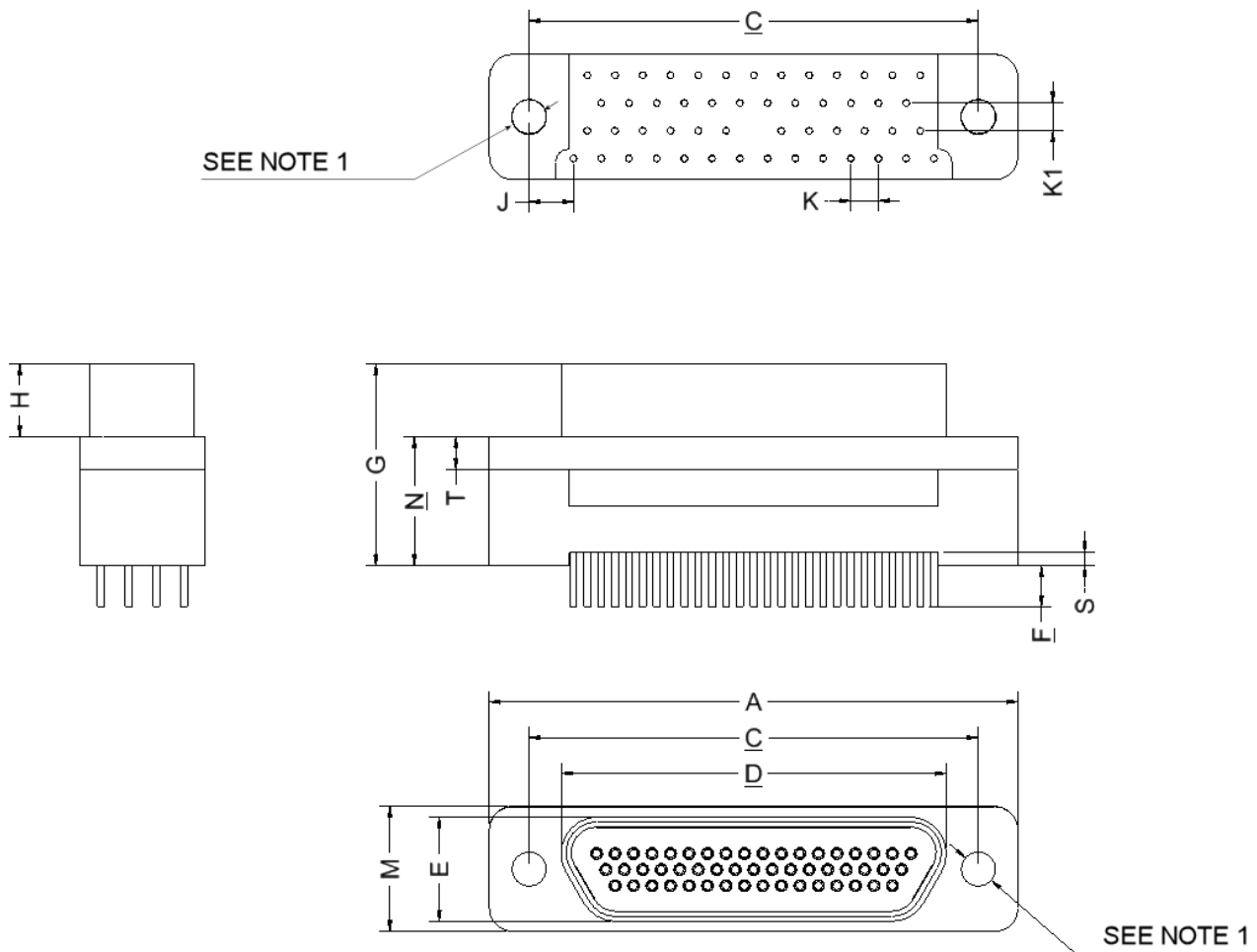
Shell Size	A Max.	C		D Max.	E Max.	F		G Max.	H	
		Min.	Max.			Min.	Max.		Min.	Max.
51	36.45	30.73	30.99	24.99	5.79	4.45	5.21	13.97	4.57	4.73
69	44.07	38.35	38.61	32.55	5.79	4.45	5.21	13.97	4.57	4.73

Shell Size	J Typ.	K Typ.	K1 Typ.	M		N		S		T	
				Min.	Max.	Min.	Max.	Min.	Max.	Min.	Max.
51	3.05	1.905	1.905	8.5	8.92	8.73	9.03	0.38	1.02	2.23	2.44
69	5.91	1.905	1.905	9.9	10.83	8.73	9.03	0.38	1.02	2.23	2.44

NOTES:

1. 75SBB is the code for a connector body with smooth holes of diameter $2.36 \pm 0.08\text{mm}$.
75SBT is the code for a connector body with threaded (2-56 UNC 2B) inserts.
2. All dimensions are in millimetres.
3. For ØA refer to ØD in Figure 2.4.
4. Torque 0.44 Nm min / 0.48 Nm max.

**FIGURE 2.2AH - CONNECTORS TYPE – 75SBB AND 75SBT
RECEPTACLE FEMALE CONTACTS**



Shell Size	A Max.	C		D Max.	E Max.	F		G Max.	H	
		Min.	Max.			Min.	Max.		Min.	Max.
51	36.45	30.73	30.99	26.67	7.52	4.45	5.21	13.97	4.87	5.05
69	44.07	38.35	38.61	34.34	7.52	4.45	5.21	13.97	4.87	5.05

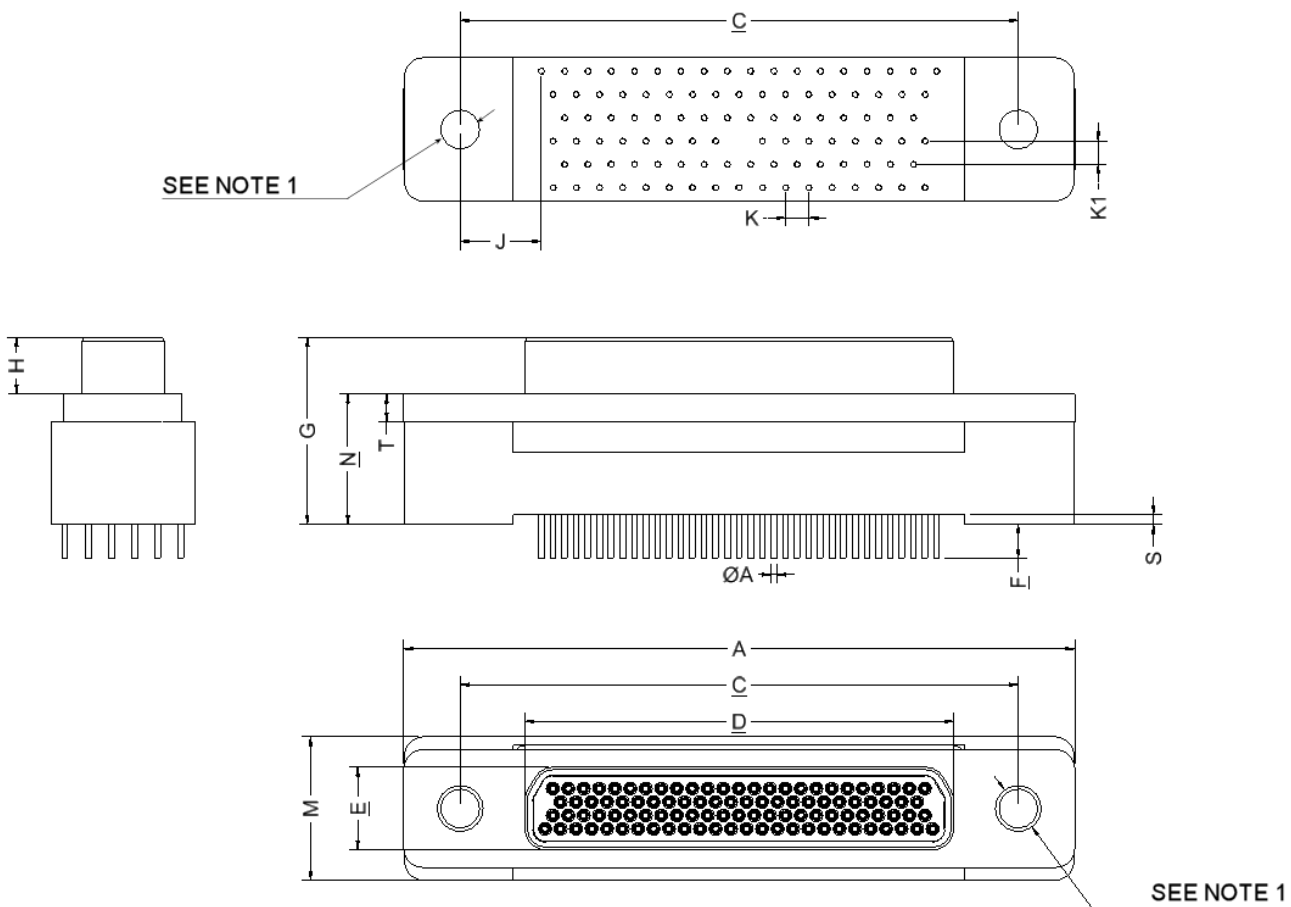
Shell Size	J Typ.	K Typ.	K1 Typ.	M		N		S		T	
				Min.	Max.	Min.	Max.	Min.	Max.	Min.	Max.
51	3.05	1.905	1.905	8.5	8.92	8.73	9.03	0.38	1.02	2.23	2.44
69	5.91	1.905	1.905	9.9	10.8	8.73	9.03	0.38	1.02	2.23	2.44

NOTES:

1. 75SBB is the code for a connector body with smooth holes of diameter 2.36 ± 0.08 mm.
75SBT is the code for a connector body with threaded (2-56 UNC 2B) inserts.
2. All dimensions are in millimetres.
3. For $\varnothing A$ refer to $\varnothing D$ in Figure 2.4.
4. Torque 0.44 Nm min / 0.48 Nm max.

FIGURE 2.2AI - CONNECTORS TYPE – 75SBB AND 75SBT

PLUG MALE CONTACTS



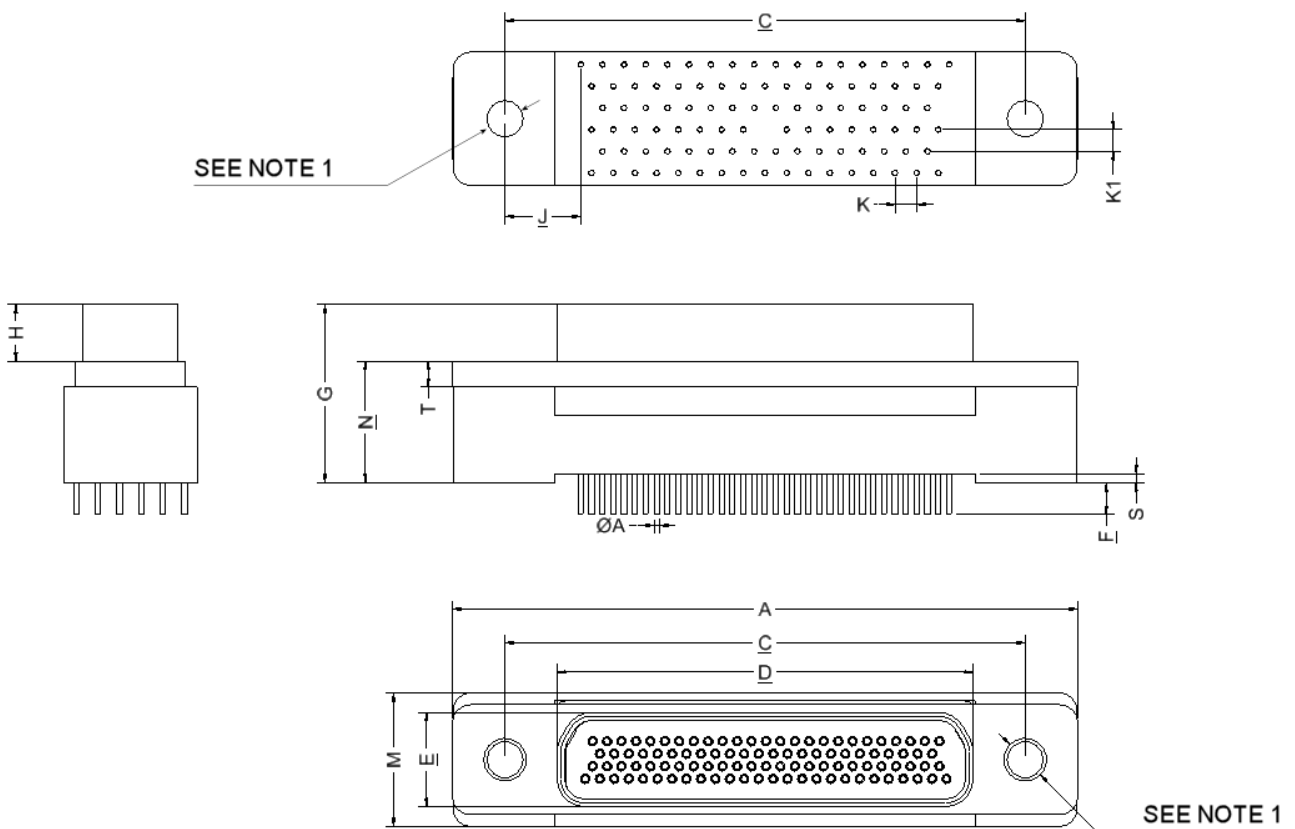
Shell Size	A Max.	C		D Max.	E Max.	F		G Max.	H	
		Min.	Max.			Min.	Max.		Min.	Max.
100	55.12	45.59	45.85	35.15	6.88	4.45	5.21	15.53	4.58	4.73

Shell Size	J Typ.	K Typ.	K1 Typ.	M		N		S		T	
				Min.	Max.	Min.	Max.	Min.	Max.	Min.	Max.
100	6.68	1.905	1.905	11.65	12.95	10.53	10.92	0.38	1.02	2.13	2.44

NOTES:

- 75SBB is the code for a connector body with smooth holes of diameter 3.68mm minimum and 3.81mm maximum.
75SBT is the code for a connector body with threaded (4-40 UNC 2B) inserts.
- All dimensions are in millimetres.
- For ØA refer to ØD in Figure 2.4.
- Torque 0.44 Nm min / 0.48 Nm max.

**FIGURE 2.2AJ - CONNECTORS TYPE – 75SBB AND 75SBT
RECEPTACLE FEMALE CONTACTS**



Shell Size	A Max.	C		D Max.	E Max.	F		G Max.	H	
		Min.	Max.			Min.	Max.		Min.	Max.
100	55.12	45.59	45.85	36.86	8.45	4.45	5.21	15.86	4.87	5.05

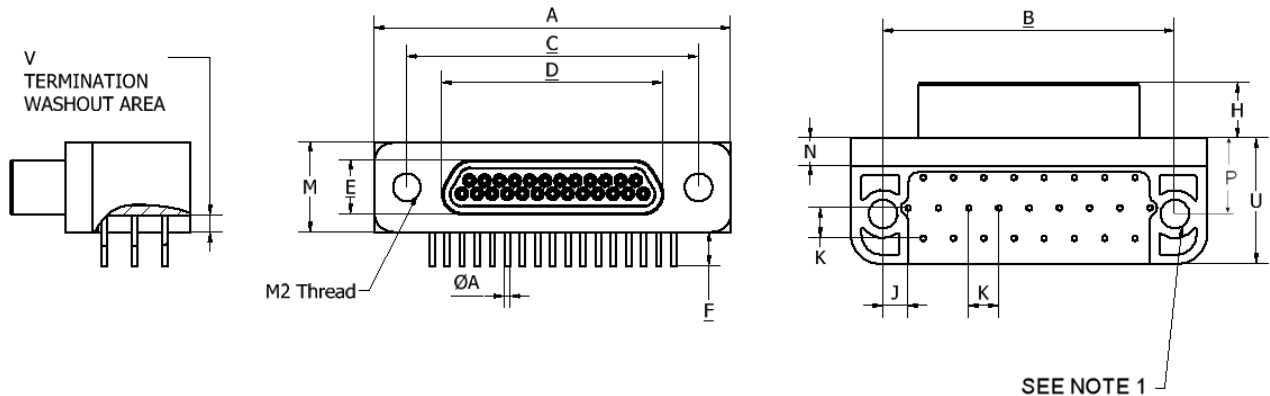
Shell Size	J Typ.	K Typ.	K1 Typ.	M		N		S		T	
				Min.	Max.	Min.	Max.	Min.	Max.	Min.	Max.
100	6.68	1.905	1.905	11.65	12.95	10.53	11.05	0.38	1.02	2.13	2.44

NOTES:

1. 75SBB is the code for a connector body with smooth holes of diameter 3.68mm minimum and 3.81mm maximum.
75SBT is the code for a connector body with threaded (4-40 UNC 2B) inserts.
2. All dimensions are in millimetres.
3. For ØA refer to ØD in Figure 2.4.
4. Torque 0.44 Nm min / 0.48 Nm max.

FIGURE 2.2AK - CONNECTORS TYPE – CBRB AND CBRT

PLUG MALE CONTACTS



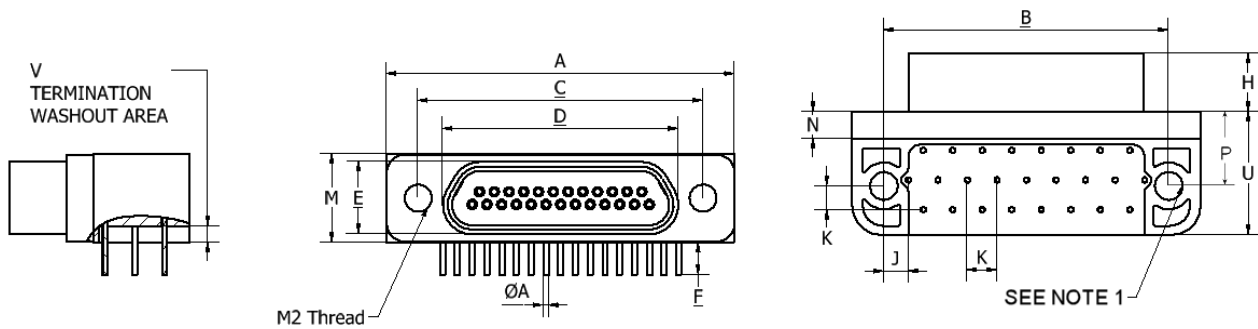
Shell Size	A Max.	B		C		D Max.	E Max.	E		H Max.
		Min.	Max.	Min.	Max.			Min.	Max.	
9	19.94	14.22	14.48	14.22	14.48	8.48	4.69	4.45	5.21	4.72
15	23.75	18.03	18.29	18.03	18.29	12.29	4.69	4.45	5.21	4.72
21	27.56	21.84	22.1	21.84	22.1	16.1	4.69	4.45	5.21	4.72
25	30.1	24.38	24.64	24.38	24.64	18.64	4.69	4.45	5.21	4.72

Shell Size	J Typ.	K Typ.	M		N		P		U Max.	V	
			Min.	Max.	Min.	Max.	Min.	Max.		Min.	Max.
9	2.11	2.54	7.49	7.75	2.23	2.49	6.1	6.6	10.8	1.29	1.55
15	2.74	2.54	7.49	7.75	2.23	2.49	6.1	6.6	10.8	1.29	1.55
21	2.11	2.54	7.49	7.75	2.23	2.49	6.1	6.6	10.8	1.29	1.55
25	2.11	2.54	7.49	7.75	2.23	2.49	6.1	6.6	10.8	1.29	1.55

NOTES:

1. CBRB is the code for a connector body with smooth holes of diameter 2.44 ± 0.08 mm. CBRT is the code for a connector body with threaded (2-56 UNC 2B) inserts.
2. All dimensions are in millimetres.
3. For $\varnothing A$ refer to $\varnothing D$ in Figure 2.4.
4. Torque 0.44 Nm min / 0.48 Nm max.

**FIGURE 2.2AL - CONNECTORS TYPE – CBRB AND CBRT
RECEPTACLE FEMALE CONTACTS**



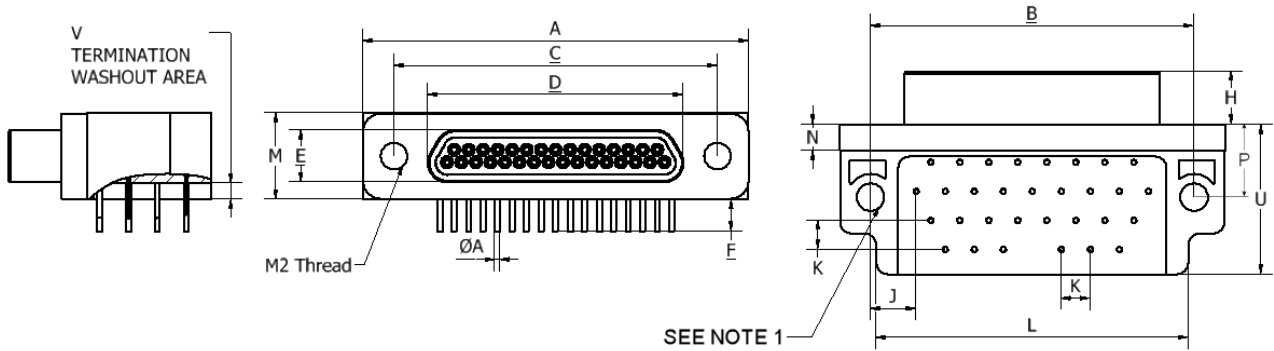
Shell Size	A Max.	B		C		D Max.	E Max.	F		H Max.
		Min.	Max.	Min.	Max.			Min.	Max.	
9	19.94	14.22	14.48	14.22	14.48	10.16	6.38	4.45	5.21	5.05
15	23.75	18.03	18.29	18.03	18.29	13.97	6.38	4.45	5.21	5.05
21	27.56	21.84	22.1	21.84	22.1	17.78	6.38	4.45	5.21	5.05
25	30.1	24.38	24.64	24.38	24.64	20.32	6.38	4.45	5.21	5.05

Shell Size	J Typ.	K Typ.	M		N		P		U Max.	V	
			Min.	Max.	Min.	Max.	Min.	Max.		Min.	Max.
9	2.11	2.54	7.49	7.75	2.23	2.49	6.1	6.6	10.8	1.29	1.55
15	2.74	2.54	7.49	7.75	2.23	2.49	6.1	6.6	10.8	1.29	1.55
21	2.11	2.54	7.49	7.75	2.23	2.49	6.1	6.6	10.8	1.29	1.55
25	2.11	2.54	7.49	7.75	2.23	2.49	6.1	6.6	10.8	1.29	1.55

NOTES:

1. CBRB is the code for a connector body with smooth holes of diameter $2.44 \pm 0.08\text{mm}$.
CBRT is the code for a connector body with threaded (2-56 UNC 2B) inserts.
2. All dimensions are in millimetres.
3. For ØA refer to ØD in Figure 2.4.
4. Torque 0.44 Nm min / 0.48 Nm max.

**FIGURE 2.2AM - CONNECTORS TYPE – CBRB AND CBRT
PLUG MALE CONTACTS**



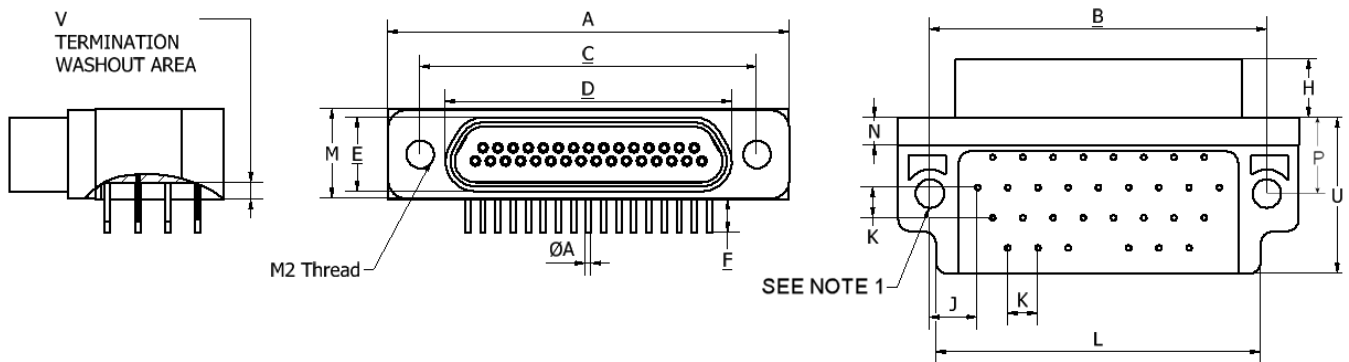
Shell Size	A Max.	B		C		D Max.	E Max.	F		H Max.
		Min.	Max.	Min.	Max.			Min.	Max.	
31	33.91	28.19	28.45	28.19	28.45	22.45	4.69	4.45	5.21	4.72
37	37.72	32	32.26	32	32.26	26.26	4.69	4.45	5.21	4.72
51	36.45	30.73	30.99	30.73	30.99	24.99	5.79	4.45	5.21	4.72

Shell Size	J Typ.	K Typ.	L Max.	M		N		P		U Max.	V	
				Min.	Max.	Min.	Max.	Min.	Max.		Min.	Max.
31	4.01	2.54	27.44	7.49	7.75	2.23	2.49	6.1	6.6	13.34	1.29	1.55
37	4.65	2.54	30.1	7.49	7.75	2.23	2.49	6.1	6.6	13.34	1.29	1.55
51	2.74	2.54	31.24	8.59	8.92	2.23	2.49	6.1	6.6	16.76	1.29	1.55

NOTES:

1. CBRB is the code for a connector body with smooth holes of diameter $2.44 \pm 0.08\text{mm}$.
CBRT is the code for a connector body with threaded (2-56 UNC 2B) inserts.
2. All dimensions are in millimetres.
3. For $\varnothing A$ refer to $\varnothing D$ in Figure 2.4.
4. Torque 0.44 Nm min / 0.48 Nm max.

**FIGURE 2.2AN - CONNECTORS TYPE – CBRB AND CBRT
RECEPTACLE FEMALE CONTACTS**



Shell Size	A Max.	B		C		D Max.	E Max.	E		H Max.
		Min.	Max.	Min.	Max.			Min.	Max.	
31	33.91	28.19	28.45	28.19	28.45	24.13	6.38	4.45	5.21	5.05
37	37.72	32	32.26	32	32.26	27.94	6.38	4.45	5.21	5.05
51	36.45	30.73	30.99	30.73	30.99	26.7	7.44	4.45	5.21	5.05

Shell Size	J Typ.	K Typ.	L Max.	M		N		P		U Max.	V	
				Min.	Max.	Min.	Max.	Min.	Max.		Min.	Max.
31	4.01	2.54	27.44	7.49	7.75	2.23	2.49	6.1	6.6	13.34	1.29	1.55
37	4.65	2.54	30.1	7.49	7.75	2.23	2.49	6.1	6.6	13.34	1.29	1.55
51	2.74	2.54	31.24	8.59	8.92	2.23	2.49	6.1	6.6	16.76	1.29	1.55

NOTES:

1. CBRB is the code for a connector body with smooth holes of diameter $2.44 \pm 0.08\text{mm}$.
CBRT is the code for a connector body with threaded (2-56 UNC 2B) inserts.
2. All dimensions are in millimetres.
3. For $\varnothing A$ refer to $\varnothing D$ in Figure 2.4.
4. Torque 0.44 Nm min / 0.48 Nm max.

FIGURE 2.3 - CONTACT POSITIONS

FIGURE 2.3.1 - MOUNTING CONDITION

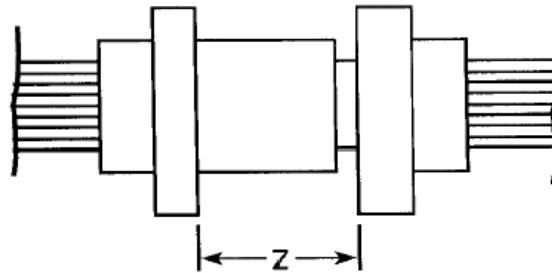


FIGURE 2.3.2 - PLUG MALE CONTACT

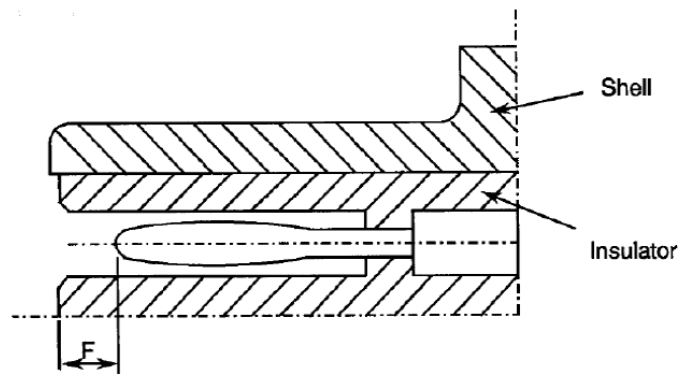
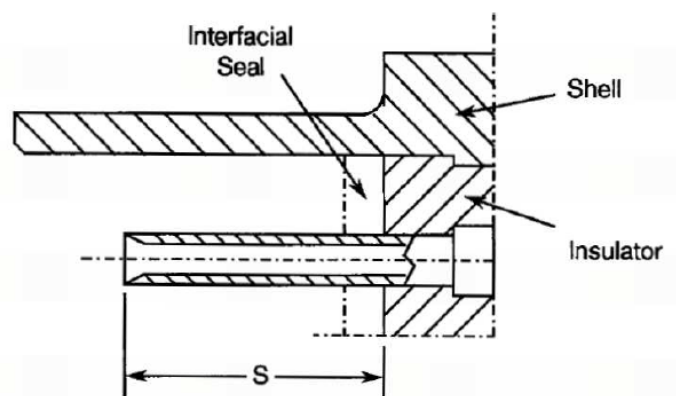
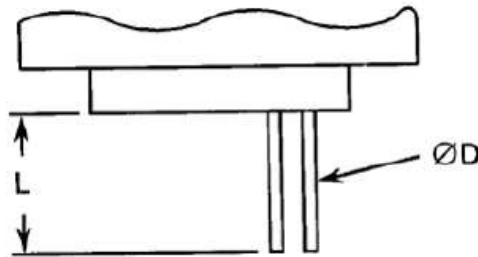


FIGURE 2.3.3 - RECEPTACLE FEMALE CONTACT



F (mm)		S (mm)		Z (mm)
Min.	Max.	Min.	Max.	Max.
0.25	0.91	3.3	3.66	5.49

FIGURE 2.4 - UNINSULATED SOLID WIRES



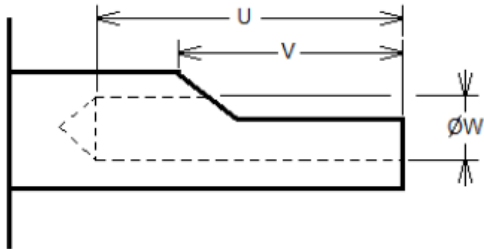
Wire Size (AWG)	25
Max. Diameter D (mm)	0.51
Min. Diameter D (mm)	0.4
Max. Weight (g/m)	1.6
Min. Length L	See Para. 4.5.3.3

FIGURE 2.5 - INSULATED WIRES

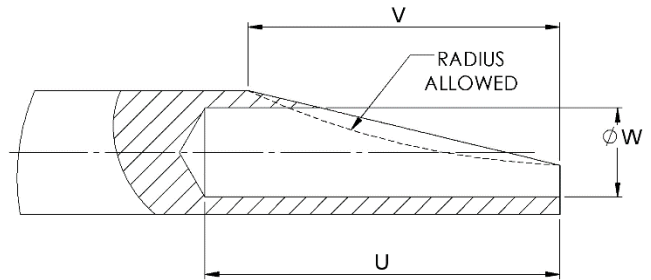
		ESCC 3901/002		ESCC 3901/013		ESCC 3901/012	
		Wire Size (AWG)					
		26	28	26	28	26	28
Conductor Characteristics	Maximum Diameter (mm)	0.53	0.43	0.5	0.42	0.53	0.38
	Nominal Cross-section (mm ²)	0.15	0.1	0.14	0.1	0.15	0.089
Wire Characteristics	Maximum Diameter (mm)	0.78	0.68	0.89	0.82	0.86	0.7
	Maximum Weight (g/m)	1.93	1.23	2.3	1.8	2.11	1.35
	Colour	Black	Brown	Natural	Blue	Red	White
	Minimum Length L	See Para. 4.5.3.3					

FIGURE 2.6 – SOLDER BUCKET

ALTERNATIVE VERSION 1 (NOTE 3)



ALTERNATIVE VERSION 2 (NOTE 3)

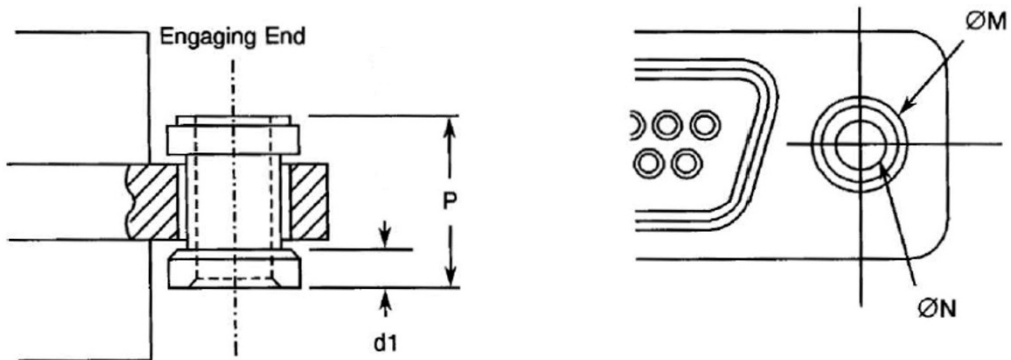


U		V		ØW	
Min.	Max.	Min.	Max.	Min.	Max.
1.75	2.7	1.5	2.74	0.55	0.67

NOTES

1. All dimensions are in millimetres.
2. Maximum wire accepted in the solder cup: AWG 26.
3. Either solder bucket version may apply.

FIGURE 2.7 - FLOATING MOUNT

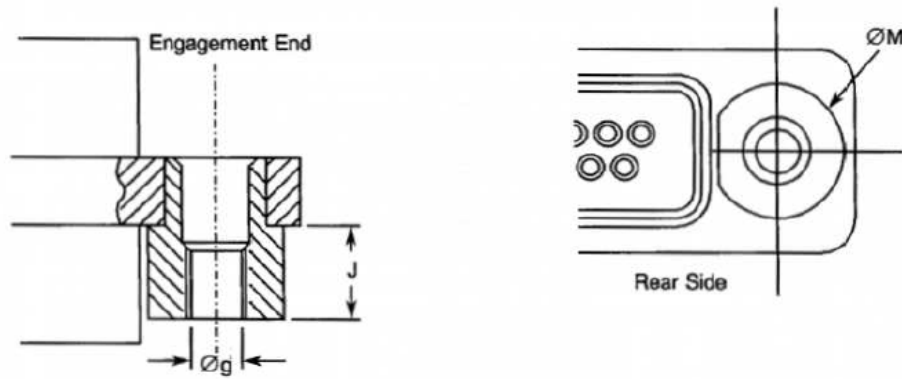


Shell Size	P Max	d1	ØM Max	ØN	
				Min	Max
9 to 69	4.7	0.79 ±0.08	4	2.26	2.34
100	4.7	0.79 ±0.08	4	2.91	2.99

NOTES:

1. All dimensions are in millimetres.
2. Available for connectors with termination types: FR11x, FR12x and FR164.
3. Total Lateral Float:
 - Shell Sizes 9 to 69: 0.4mm (typical)
 - Shell Size 100: 0.46mm / 0.25mm
4. Total Axial Float:
 - Shell Sizes 9 to 69: 0.4mm (typical)
 - Shell Size 100: 0.51mm max.

FIGURE 2.8 - CAPTIVE NUT



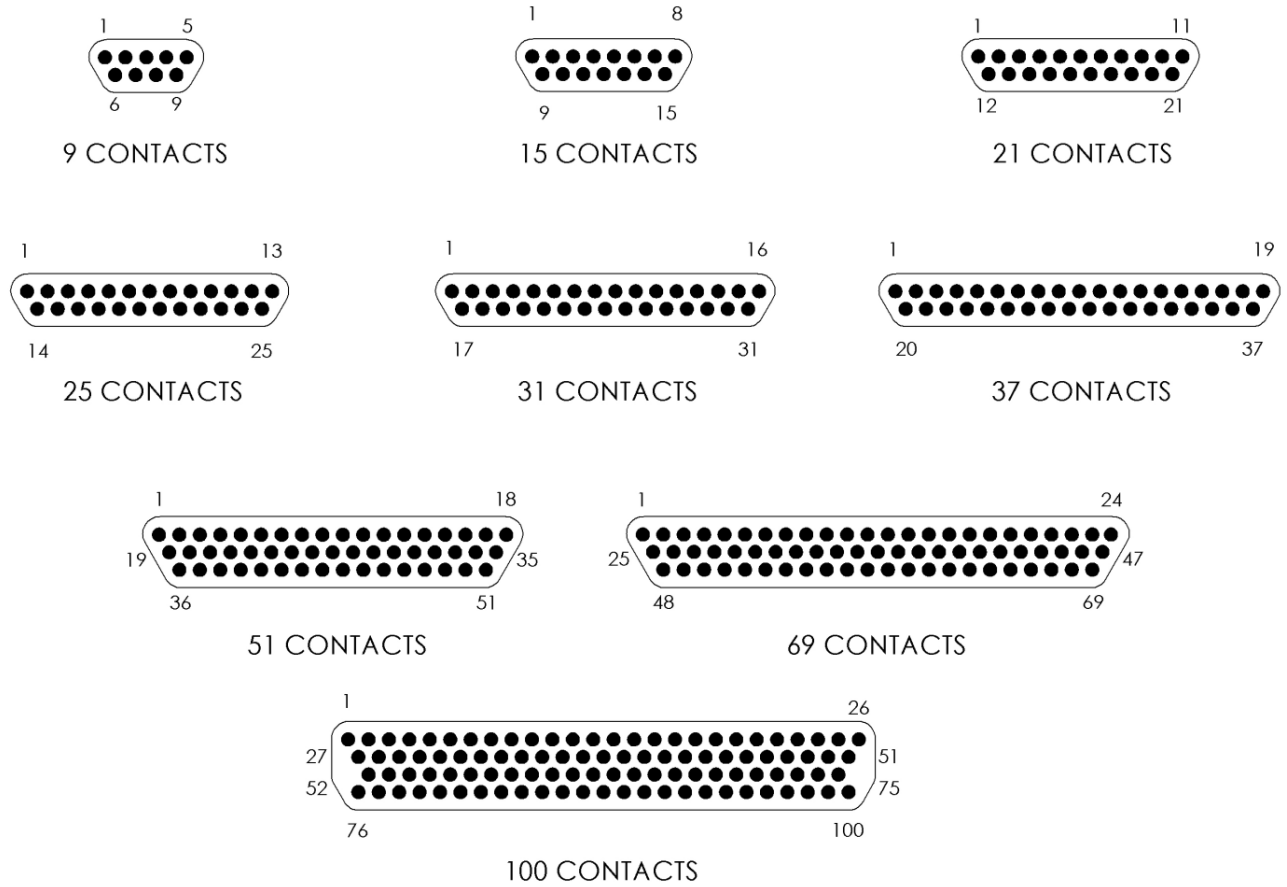
Shell Size	Øg (Note 3)	J Max	ØM Max
9 to 69	2-56 UNC-2B	2.6	5.1
100	4-40 UNC-2B	2.85	6.15

NOTES:

1. All dimensions are in millimetres.
2. Available for connectors with termination types: FR11x, FR12x and FR164.
3. Maximum Torque:
 - Shell Sizes 9 to 69: 0.44Nm
 - Shell Size 100: 0.45Nm

FIGURE 3 - CONTACT ARRANGEMENTS

FRONT VIEW OF MALE INSERT - USE MIRROR VIEW FOR FEMALE INSERT

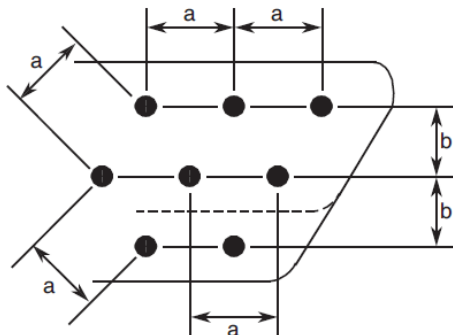


NOTES:

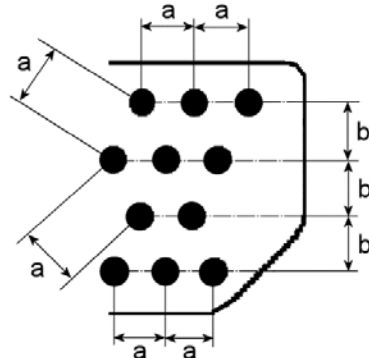
1. Only the outside contact cavities on each row are identified in the drawing, the remainder follow sequentially. Contact numbers are shown outside the insert for readability.

CONTACT CENTRES

9 to 69 Contacts (2 Rows / 3 Rows)



100 Contacts (4 Rows)



NOTES:

1. a = Distance between contact centres: 1.27mm (typical).
2. b = Distance between rows: 1.09mm (typical).

2 **APPLICABLE DOCUMENTS**

The following documents form part of this specification and shall be read in conjunction with it:

- (a) ESCC Generic Specification No. [3401](#), Connectors, Electrical, Circular and Rectangular.
- (b) ESCC Detail Specification No. [3401/032](#), Accessories for Connectors, Microminiature, [3401/029](#), [3401/077](#) and Connector Savers [3401/041](#).
- (c) ESCC Detail Specification No. [3401/087](#), Lightweight Accessories for Rectangular, Microminiature Connectors, [3401/029](#) and [3401/077](#).
- (d) ESCC Detail Specification No. [3901/002](#), Polyimide Insulated Wires and Cables, Low Frequency, 600V, -100 to +200°C.
- (e) ESCC Detail Specification No. [3901/012](#), Extruded, Cross-linked Fluoropolymer Insulated Wires and Cables on Silver-Plated Copper Conductor, Low Frequency, 600V, -100 to +200°C.
- (f) ESCC Detail Specification No. [3901/013](#), PTFE Insulated Wires and Cables, 600V, -100 to +200°C.
- (g) A-A-59551, Wire, Electrical, Copper (Uninsulated).
- (h) MIL-DTL-45204, Gold Plating, Electro-deposited.
- (i) SAE-AMS 2418, Copper Plating.
- (j) [MIL-DTL-83513](#), Connectors Electrical, Rectangular, Microminiature, Polarised Shell, General Specification for.

3 **TERMS, DEFINITIONS, ABBREVIATIONS, SYMBOLS AND UNITS**

For the purpose of this specification, the terms, definitions, abbreviations, symbols and units specified in ESCC Basic Specification No. [21300](#) shall apply.

4 **REQUIREMENTS**

4.1 **GENERAL**

The complete requirements for procurement of the connectors specified herein are stated in this specification and ESCC Generic Specification No. [3401](#). Deviations from the Generic Specification, applicable to this specification only, are listed in Para. 4.2.

Deviations from the applicable Generic Specification and this Detail Specification, formally agreed with specific Manufacturers on the basis that the alternative requirements are equivalent to the ESCC requirements and do not affect the components' reliability, are listed in the appendices attached to this specification.

4.2 DEVIATIONS FROM GENERIC SPECIFICATION

4.2.1 Deviations from Special In-Process Controls

Para. 9.15, Joint strength: the contacts shall be crimped to insulated stranded wire AWG26 and AWG28, and to uninsulated solid wire AWG25. The value of failure shall be recorded together with the information as to whether the failure was 'pull-out', 'break in crimp' or 'break in wire'. The minimum tensile strength shall be as follows:

Wire	Male and Female Contacts		
	AWG26	AWG28	AWG25 - Solid Uninsulated
Tensile Strength (N)	22	13	22

4.2.2 Deviations from Final Production Tests (Chart II)

- (a) Para. 9.4, Contact Capability: this test shall be performed on the male contacts. For details see Para. 4.3.3 of this specification.
- (b) Para. 9.5, Magnetism Level: Not applicable.

4.2.3 Deviations from Burn-in and Electrical Measurements (Chart III)

None (Chart III is not applicable).

4.2.4 Deviations from Qualification Tests (Chart IV)

- (a) Para. 9.15, Joint Strength: Not applicable.
- (b) Para. 9.17, Contact Retention (in insert): Not applicable with male contact.
- (c) Para. 9.27, Maintenance Ageing: Not applicable.
- (d) Para. 9.29, Oversize Pin Exclusion: Not applicable.
- (e) Para. 9.30, Probe Damage: Not applicable.
- (f) Para. 9.31, Solderability: Only applicable on FR164 termination.

4.2.5 Deviations from Lot Acceptance Tests (Chart V)

- (a) Para. 9.15, Joint Strength: Not applicable.
- (b) Para. 9.17, Contact Retention (in insert): Not applicable with male contact.
- (c) Para. 9.27, Maintenance Ageing: Not applicable.
- (d) Para. 9.29, Oversize Pin Exclusion: Not applicable.
- (e) Para. 9.30, Probe Damage: Not applicable.

4.3 MECHANICAL REQUIREMENTS

4.3.1 Dimension Check

The dimensions of the connectors specified herein shall be verified in accordance with the requirements set out in Para. 9.6 of ESCC Generic Specification No. 3401 and shall conform to those shown in Figure 2 of this specification. Only the underlined dimensions shall be checked during procurement.

4.3.2 Weight

The maximum weight of the connectors specified herein shall be calculated on the basis of, and be in accordance with the values given in Table 1(a) and in Figures 2.4 and 2.5 of this specification.

4.3.3 Contact Capability

For the purpose of this test, the pick-up and drop weights shall be as follows:

Measurements	Pick-Up Weight	Drop Weight
Weight (g)	14	170
Inner Gauge Diameter (mm) (1)	0.582 - 0.587	0.559 - 0.564
Insertion Depth (mm)	1.5	1.5

NOTES:

1. See Figure 4 for ØA.

4.3.4 Contact Retention (in Insert)

Contact retention within the insert shall be 22.25 N. There shall be no displacement of the contact. Not applicable to male contacts.

4.3.5 Mating and Unmating Forces

The forces applied for the mating and unmating of the connectors shall conform to the values specified in Table 1(a).

4.3.6 Insert Retention (in Shell)

Connector inserts shall withstand a pressure of 34.4N/cm² applied from the mating side to the rear side.

4.3.7 Jackscrew Retention

Not applicable.

4.3.8 Contact Insertion and Withdrawal Forces

Not applicable.

4.3.9 Engagement and Separation Forces (Male Contacts)

The contact engagement and separation forces of the male contacts shall be tested to a depth of 1.5mm with the applicable test gauge fixtures specified in Figure 4 of this specification, and shall not exceed the values of the table hereunder:

Measurements	Inner Diameter (mm)		Separation Force Min. (N)	Engagement Force Max. (N)
	Min.	Max.		
Minimum Diameter Test Sleeve	0.559	0.564	-	1.667
Maximum Diameter Test Sleeve	0.582	0.587	0.137	-

4.3.10 Oversize Pin Exclusion

Not applicable.

4.3.11 Probe Damage

Not applicable.

4.3.12 Solderability

Only applicable on FR164 termination. Size A soldering iron shall be used.

4.4 MATERIALS AND FINISHES

The materials and finishes shall be as specified herein. Where a definite material is not specified, a material which will enable the components specified herein to meet the performance requirements of this specification shall be used. Acceptance or approval of any constituent material does not guarantee acceptance of the finished product.

4.4.1 Shells

Shells shall be made of aluminium alloy. Variant 01 shall have a minimum plating thickness of 25.4µm of electroless nickel. The plating for Variant 02 shall be 0.7µm minimum of gold with 25.4µm minimum of electroless nickel underplating.

4.4.2 Inserts

Inserts shall be made of glass fibre-filled diallylphthalate resin or suitable thermoplastic material.

4.4.3 Contacts

4.4.3.1 *Female Contacts*

The contact body material and finish shall either be copper alloy with an underplate of 1µm minimum of copper to SAE-AMS 2418, gold plated with 1.27µm minimum of gold Type 2 Grade C of MIL-DTL-45204, or Type N2 with underplating in accordance with Para 3.3 note 3(b) of ESCC Basic Specification No. [23500](#). Measurement of thickness shall be performed at a distance of 1.5mm from the engagement end.

4.4.3.2 *Male Contacts*

The contact body and the bundle material and finish shall either be copper alloy with an underplate of 1µm minimum of copper to SAE-AMS 2418, gold plated with 1.27µm minimum of gold Type 2 Grade C of MIL-DTL-45204, or Type M2 with underplating in accordance with Para 3.3 note 3(b) of ESCC Basic Specification No. [23500](#). Measurement of thickness shall be performed at a distance of 1.5mm from the engagement end.

4.4.4 Interfacial Seals

Interfacial seals shall be made of silicon base rubber.

4.4.5 Insulated Wires

Wire materials and finishes shall be in accordance with the requirements specified in Para. 4.4 of ESCC Detail Specifications No. [3901/002](#), [3901/012](#) and [3901/013](#).

4.4.6 Uninsulated Solid Wire

Uninsulated solid wire material and finish shall either be copper alloy in accordance with Type S as specified in A-A-59551, gold-plated in accordance with Class 00 (i.e. thickness 0.5µm minimum) Grade C or D as specified in MIL-DTL-45204, or Type A14 (except the thickness of the gold-plating shall be 0.25µm minimum) in accordance with ESCC Basic Specification No. [23500](#).

4.4.7 Rear Potting

Rear potting shall be made of epoxy resin. For connectors Type FR136, Type FR136A and Type FR139, the rear container shall be made from glass-fibre filled diallylphthalate resin or suitable thermoplastic material.

4.5 MARKING

4.5.1 General

The marking of all components delivered to this specification shall be in accordance with the requirements of ESCC Basic Specification No. [21700](#) and the following paragraphs.

Each component shall be marked in respect of:

- (a) The ESCC Component Number.
- (b) Characteristics.
- (c) Traceability Information.

4.5.2 The ESCC Component Number

Each component shall bear the ESCC Component Number which shall be constituted and marked as follows:

340102901B

- Detail Specification Number: 3401029
- Type Variant (See Table 1(a)): 01
- Testing Level: B

4.5.3 Characteristics

The characteristics to be marked in the following order of precedence are:

- (a) Shell Size.
- (b) Contact Type.
- (c) Termination Type.
- (d) Mounting.

The information shall be constituted and marked as follows:

Example: 51PFR112F

- Shell size: 51
- Contact type: P
- Termination Type: FR112
- Mounting: F

4.5.3.1 *Shell Size*

Shell size shall be designated by the number of contacts.

Specified numbers are: 9, 15, 21, 25, 31, 37, 51, 69 and 100.

4.5.3.2 *Contact Type*

Contact types shall be indicated by the following code letters.

Code Letter	Contact Type
P	Male
S	Female

4.5.3.3 Termination Type

Codes defining the termination type and details according to Figures 2.1, 2.2, 2.4, 2.5 and 2.6 are as follows:

Code	Type	Min. Wire Length L (mm)	Reference Figure	Remarks
FR112	AWG26 Wire 390101302B	508	2.1A, 2.1B, 2.5	
FR112A	AWG26 Wire 390100256B	508	2.1A, 2.1B, 2.5	
FR112B	AWG26 Wire 390101203B	508	2.1A, 2.1B, 2.5	
FR113	AWG26 Wire 390101302B	914	2.1A, 2.1B, 2.5	
FR113A	AWG26 Wire 390100256B	914	2.1A, 2.1B, 2.5	
FR113B	AWG26 Wire 390101203B	914	2.1A, 2.1B, 2.5	
FR123	AWG26 Wire 390101302B	4000	2.1A, 2.1B, 2.5	
FR123A	AWG26 Wire 390100256B	4000	2.1A, 2.1B, 2.5	
FR123B	AWG26 Wire 390101203B	4000	2.1A, 2.1B, 2.5	
FR114	AWG28 Wire 390101301B	508	2.1A, 2.1B, 2.5	
FR114A	AWG28 Wire 390100261B	508	2.1A, 2.1B, 2.5	
FR114B	AWG28 Wire 390101202B	508	2.1A, 2.1B, 2.5	
FR115	AWG28 Wire 390101301B	914	2.1A, 2.1B, 2.5	
FR115A	AWG28 Wire 390100261B	914	2.1A, 2.1B, 2.5	
FR115B	AWG28 Wire 390101202B	914	2.1A, 2.1B, 2.5	
FR116	Uninsulated Wire	25.4	2.1A, 2.1B, 2.4	25 AWG
FR136	90° Mounting on PCB, 2.54mm PCB termination pitch	-	2.2A to 2.2D, 2.4	25 AWG
FR136A	90° Mounting on PCB, 2.54mm PCB termination pitch	-	2.2E, 2.2F, 2.4	25 AWG
FR139	Straight Mounting on PCB, 2.54mm PCB termination pitch	-	2.2G to 2.2J, 2.4	25 AWG
FR164	Solder Bucket	-	2.2K, 2.2L, 2.6	
GMR7590	Uninsulated wire formed for 90° Mounting on PCB, 1.905mm PCB termination pitch	-	2.2M to 2.2R	
GMR7580	Uninsulated wire formed for Straight Mounting on PCB, 1.905mm PCB termination pitch	-	2.2S to 2.2X	
75SBB, 75SBT	Uninsulated wire formed for 90° Mounting on PCB, 1.905mm PCB termination pitch	-	2.2Y to 2.2AD, 2.4	25 AWG
75RB, 75RBT	Uninsulated wire formed for Straight Mounting on PCB, 1.905mm PCB termination pitch	-	2.2AE to 2.2AJ, 2.4	25 AWG
CBRB, CBRT	90° Mounting on PCB, 2.54mm PCB termination pitch	-	2.2AK to 2.2AN, 2.4	25 AWG

4.5.3.4 Mounting

The letter E indicates a captive nut (see Figure 2.8).

The letter F shall indicate a floating mount (see Figure 2.7).

If the shell has fixed mounting holes, these letters shall be omitted.

4.5.4 Traceability Information

Traceability information shall be marked in accordance with the requirements of ESCC Basic Specification No. [21700](#).

4.6 ELECTRICAL MEASUREMENTS

4.6.1 Electrical Measurements at Room Temperature

The parameters to be measured in respect of electrical characteristics are scheduled in Table 2. Unless otherwise specified, the measurements shall be performed at $T_{amb} = +22 \pm 3^{\circ}C$.

4.6.2 Electrical Measurements at High and Low Temperatures

Not applicable.

4.6.3 Circuits for Electrical Measurements

Not applicable.

4.7 BURN-IN AND ELECTRICAL MEASUREMENTS (TABLES 4 AND 5)

Not applicable.

TABLE 2 - ELECTRICAL MEASUREMENTS AT ROOM TEMPERATURE

No.	Characteristic	Symbol	ESCC 3401 Test Method	Test Condition	Limits		Unit
					Min	Max	
1	Insulation Resistance	R_i	Para. 9.1.1.1	Para. 9.1.1.1	5000	-	MΩ
2	Voltage Proof Leakage Current	I_L	Para. 9.1.1.2	600Vrms	-	2	mA
3	Mated Shell Conductivity (Voltage Drop) (Note 1)	V_D	Para. 9.1.1.4	Para. 9.1.1.4	Not applicable		mV
4	Contact Resistance (Low Level Current)	$R_{cl} \text{ max.}$	Para. 9.1.1.3	Para. 9.1.1.3	-	6 (2) 25 (3)	mΩ
5	Contact Resistance (Rated Current)	$R_{cr} \text{ max.}$	Para. 9.1.1.3	Table 1(b)	-	5 (2) 25 (3)	mΩ

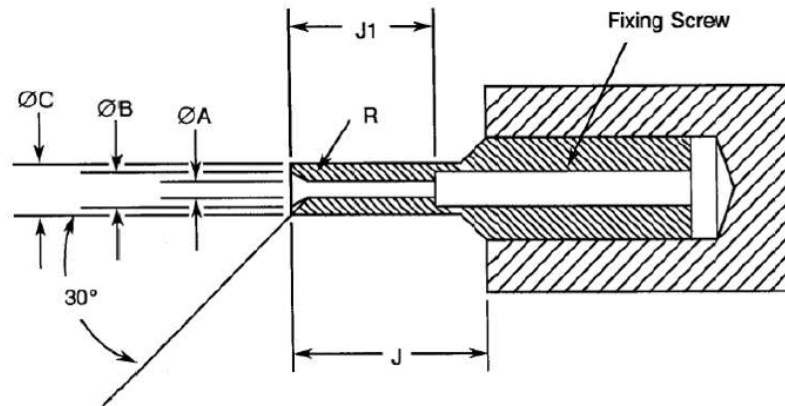
NOTES:

1. Applicable to mated connectors with grounding option.
2. For all termination types except FR136, FR136A, FR139.
3. For termination types FR136, FR136A, FR139. Measurement of Contact Resistance shall include all parts of the contact including the body and the wire.

TABLES 3, 4 AND 5

Not applicable.

FIGURE 4 - GAUGE FIXTURE



MINIMUM DIAMETER TEST SLEEVE

Weight (g) 170			Remarks
Symbol	Min.	Max.	
ØA	0.559	0.564	Note 2
ØB	0.749	0.775	-
ØC	0.813	0.825	-
J	4	-	-
J1	3.13	3.23	-
R	0.381	0.483	Note 1

MAXIMUM DIAMETER TEST SLEEVE

Weight (g) 14			Remarks
Symbol	Min.	Max.	
ØA	0.582	0.587	Note 2
ØB	0.749	0.775	-
ØC	0.813	0.825	-
J	4	-	-
J1	3.13	3.23	-
R	0.381	0.483	Note 1

NOTES:

1. Radius R, must be tangent to entry chamfer and ØA.
2. ØA and entry chamfer shall have a surface roughness of 3.2µm (roughness grade N8).
3. All dimensions are in millimetres.

- 4.8 ENVIRONMENTAL AND ENDURANCE TESTS (CHARTS IV AND V OF ESCC GENERIC SPECIFICATION No. 3401)
- 4.8.1 Measurements and Inspections on Completion of Environmental Tests
The parameters to be measured and inspections to be performed on completion of environmental testing shall be those specified in Table 6. Unless otherwise specified, these measurements shall be performed at $T_{amb} = +22 \pm 3^{\circ}\text{C}$.
- 4.8.2 Measurements and Inspections at Intermediate Points during Endurance Tests
Not applicable.
- 4.8.3 Measurements and Inspections on Completion of Endurance Tests
The parameters to be measured and inspections to be performed on completion of endurance testing shall be those specified in Table 6. Unless otherwise specified, these measurements shall be performed at $T_{amb} = +22 \pm 3^{\circ}\text{C}$.
- 4.8.4 Conditions for Operating Life Test (Part of Endurance Testing)
Not applicable.
- 4.8.5 Electrical Circuit for Operating Life Test
Not applicable.
- 4.8.6 Conditions for High Temperature Storage Test (Part of Endurance Testing)
The requirements for the high temperature storage test are specified in Section 9 of ESCC Generic Specification No. 3401. The temperature to be applied shall be the maximum storage temperature specified in Table 1(b) of this specification.

TABLE 6 - MEASUREMENTS AND INSPECTIONS ON COMPLETION OF ENVIRONMENTAL AND ENDURANCE TESTING

No.	ESCC Generic Spec. No. 3401		Measurements and Inspections		Symbol	Limits		Unit
	Environmental and Endurance Tests Note 1	Test Method and Conditions	Identification	Conditions		Min	Max	
01	Seal Test	Para. 9.9	ESCC 3401 Para. 9.9	-	-	Not applicable		-
02	Wiring	Para. 9.10	Low Level Contact Resistance	Table 2 Item 4	R _{cl}	Table 2, Item 4		-
03	Vibration	Para. 9.11	Initial Measurements Coupling screw(s) Unlocking Torque	-	T _{qe}	Record Values		-
			Final Measurements Full Engagement Coupling screw(s) Unlocking Torque Drift Visual Examination	-	ΔT _{qe} /T _{qe}	-25	+25	%
				-	-	-	-	
				-	-	-	-	
04	Shock or Bump	Para. 9.12	Full Engagement Visual Examination	-	-	-	-	-
05	Climatic Sequence	Para. 9.13	Dry Heat Insulation Resistance	At High Temperature Table 2, Item 1 (2)	R _i	10	-	MΩ
			Low Air Pressure Voltage Proof Leakage Current	Figure 1	I _L	ESCC 3401 Para. 9.13.5		mA
			Damp Heat Insulation Resistance	Immediately after test Table 2, Item 1	R _i	100	-	MΩ
			Final Measurements External Visual Inspection	After 1-24 hrs Recovery ESCC 3401 Para. 9.7	-	ESCC 3401 Para. 9.7		-
			Insulation Resistance Voltage Proof Leakage Current	Table 2, Item 1 Table 2, Item 2	R _i I _L	Table 2, Item 1 Table 2, Item 2	Table 2, Item 1 Table 2, Item 2	MΩ mA
06	Plating Thickness	Para. 9.14	Thickness	-	-	Para. 4.4.3 of this spec.		-
07	Joint Strength (N/A to solder contacts)	Para. 9.15	ESCC 3401 Para. 9.15	-	-	Not applicable		-
08	Rapid Change of Temperature	Para. 9.16	Visual Examination	-	-	-		-
			Insulation Resistance Voltage Proof Leakage Current	Table 2, Item 1 Table 2, Item 2	R _i I _L	Table 2, Item 1 Table 2, Item 2	Table 2, Item 1 Table 2, Item 2	MΩ mA
09	Contact Retention (in Insert)	Para. 9.17 & Para. 4.3.4 of this spec.	Contact Displacement	-	-	ESCC 3401 Para. 9.17		-

No.	ESCC Generic Spec. No. 3401		Measurements and Inspections		Symbol	Limits		Unit
	Environmental and Endurance Tests Note 1	Test Method and Conditions	Identification	Conditions		Min	Max	
10	Endurance	Para. 9.18	Initial Measurements Mating/Unmating Forces Low Level Contact Resistance Mated Shell Conductivity Final Measurements Visual Examination Mating/Unmating Forces Low Level Contact Resistance Drift Rated Current Contact Resistance Mated Shell Conductivity Insulation Resistance Voltage Proof Leakage Current	- Table 2, Item 4 Table 2, Item 3 - - Table 2, Item 4 Table 2, Item 5 Table 2 Item 3 Table 2 Item 1 Table 2 Item 2	F R _{cl} V _D - F ΔR _{cl} R _{cr} V _D R _i I _L	Para. 4.3.5 of this spec. Record Values Not applicable - - Para. 4.3.5 of this spec - 3 Table 2, Item 5 Not applicable Table 2, Item 1 Table 2, Item 2	N mΩ mV N mΩ mΩ mV MΩ mA	
11	Permanence of Marking	Para. 9.19	-	-	-	-	-	-
12	Mating/Unmating Forces	Para. 9.20	Force	-	F	Para. 4.3.5 of this spec	N	
13	High Temperature Storage	Para. 9.21	Initial Measurements Low Level Contact Resistance Mated Shell Conductivity Final Measurements Visual Examination Mating/Unmating Forces Low Level Contact Resistance Drift Rated Current Contact Resistance Mated Shell Conductivity Insulation Resistance Voltage Proof Leakage Current Contact Retention (In insert)	Table 2, Item 4 Table 2, Item 3 - - Table 2, Item 4 Table 2, Item 5 Table 2 Item 3 Table 2 Item 1 Table 2 Item 2 Para. 4.3.4 of this spec.	R _{cl} V _D - F ΔR _{cl} R _{cr} V _D R _i I _L -	Record Values Not applicable - Para. 4.3.5 of this spec - 3 Table 2, Item 5 Not applicable Table 2, Item 1 Table 2, Item 2 ESCC 3401 Para. 9.17	mΩ mV N mΩ mΩ mV MΩ mA -	
14	Corrosion	Para. 9.22	Visual Examination	-	-	-	-	-

No.	ESCC Generic Spec. No. 3401		Measurements and Inspections		Symbol	Limits		Unit
	Environmental and Endurance Tests Note 1	Test Method and Conditions	Identification	Conditions		Min	Max	
15	Insert Retention (in Shell)	Para. 9.23 & Para. 4.3.6 of this spec.	Visual Examination	-	-	Para. 4.3.6 of this spec.		-
16	Jackscrew Retention	Para. 9.24 & Para. 4.3.7 of this spec	Visual Examination	-	-	Not applicable		-
17	High Temperature Measurements	Para. 9.25	Insulation Resistance	Table 2 Item 1 (2)	R _i	10	-	MΩ
18	Overload Test	Para. 9.26	Internal Temperature	-	T	-	+100	°C
			Rated Current Contact Resistance	Table 2, Item 5	R _{cr}	Table 2, Item 5		mΩ
			Mated Shell Conductivity	Table 2 Item 3	V _D	Not applicable		mV
			Insulation Resistance	Table 2 Item 1	R _i	Table 2, Item 1		MΩ
			Voltage Proof Leakage Current	Table 2 Item 2	I _L	Table 2, Item 2		mA
19	Maintenance Ageing	Para. 9.27	Visual Examination Contact Retention (in Insert)	- Para. 4.3.4 of this spec.	- -	- Not applicable	- -	- N
20	Engage/Separation Forces	Para. 9.28 & Para. 4.3.9 of this spec.	Force	-	F	Para. 4.3.9 of this spec.		N
21	Oversize Pin Exclusion	Para. 9.29 & Para. 4.3.10 of this spec.	Not applicable	-	-	-	-	-
22	Probe Damage	Para. 9.30 & Para. 4.3.11 of this spec.	Not applicable	-	-	-	-	-
23	Solderability	Para. 9.31 & Para. 4.3.12 of this spec.	-	-	-	ESCC 3401 Para. 9.31		-

NOTES:

1. The tests in this Table refer to either Chart IV or V and shall be used as applicable.
2. T_{amb} = +125°C.

APPENDIX 'A'**AGREED DEVIATIONS FOR C & K COMPONENTS (F)**

ITEMS AFFECTED	DESCRIPTION OF DEVIATIONS
Para. 4.2.2, Deviations from Final Production Tests (Chart II)	Para. 9.4, Contact Capability: 100% Contact Capability Test may be omitted provided that a 100% visual inspection of the contacts is performed on each batch submitted to tests defined in the C&K PID requirements.