



**RELAY, ELECTROMAGNETIC, LATCHING,
50VDC, 50A, 1PDT**

ESCC Detail Specification No. 3602/014

Issue 5	June 2021
---------	-----------



LEGAL DISCLAIMER AND COPYRIGHT

European Space Agency, Copyright © 2021. All rights reserved.

The European Space Agency disclaims any liability or responsibility, to any person or entity, with respect to any loss or damage caused, or alleged to be caused, directly or indirectly by the use and application of this ESCC publication.

This publication, without the prior permission of the European Space Agency and provided that it is not used for a commercial purpose, may be:

- copied in whole, in any medium, without alteration or modification.
- copied in part, in any medium, provided that the ESCC document identification, comprising the ESCC symbol, document number and document issue, is removed.

DOCUMENTATION CHANGE NOTICE

(Refer to <https://escies.org> for ESCC DCR content)

DCR No.	CHANGE DESCRIPTION
1424	Specification updated to incorporate changes per DCR.

TABLE OF CONTENTS

1	GENERAL	5
1.1	SCOPE	5
1.2	APPLICABLE DOCUMENTS	5
1.3	TERMS, DEFINITIONS, ABBREVIATIONS, SYMBOLS AND UNITS	5
1.4	THE ESCC COMPONENT NUMBER AND COMPONENT TYPE VARIANTS	5
1.4.1	The ESCC Component Number	5
1.4.1.1	Characteristics and/or Ratings Codes	5
1.4.2	Component Type Variants and Range of Components	6
1.5	MAXIMUM RATINGS	6
1.6	PHYSICAL DIMENSIONS AND TERMINAL IDENTIFICATION	7
1.6.1	Vertical Stud Mount (Variant 01)	7
1.6.2	Horizontal Flange Mount (Variant 04)	8
1.7	FUNCTIONAL DIAGRAM	9
1.8	MATERIALS AND FINISHES	9
1.8.1	Case	9
1.8.2	Terminals	9
1.8.3	Mounting Studs (Variant 01)	9
2	REQUIREMENTS	9
2.1	GENERAL	9
2.1.1	Deviations from the Generic Specification	9
2.1.1.1	Deviations from Special In-Process Controls - Chart F2	9
2.1.1.2	Deviations from Screening Tests - Chart F3	10
2.1.1.3	Deviations from Qualification and Periodic Tests - Chart F4	10
2.2	MARKING	10
2.3	TERMINAL STRENGTH	10
2.4	ELECTRICAL MEASUREMENTS AT ROOM, HIGH AND LOW TEMPERATURES	11
2.4.1	Room Temperature Electrical Measurements	11
2.4.2	High and Low Temperatures Electrical Measurements	12
2.4.3	Notes to Electrical Measurements Tables	12
2.5	PARAMETER DRIFT VALUES	13
2.6	INTERMEDIATE AND END-POINT ELECTRICAL MEASUREMENTS	13
2.7	RUN-IN CONDITIONS	21
	APPENDIX A	22

1 GENERAL

1.1 SCOPE

This specification details the ratings, physical and electrical characteristics, and test and inspection data for the component type variants and/or the range of components specified below. It supplements the requirements of, and shall be read in conjunction with, the ESCC Generic Specification listed under Applicable Documents.

1.2 APPLICABLE DOCUMENTS

The following documents form part of this specification and shall be read in conjunction with it:

- (a) ESCC Generic Specification No. [3602](#).

1.3 TERMS, DEFINITIONS, ABBREVIATIONS, SYMBOLS AND UNITS

For the purpose of this specification, the terms, definitions, abbreviations, symbols and units specified in ESCC Basic Specification No. [21300](#) shall apply.

1.4 THE ESCC COMPONENT NUMBER AND COMPONENT TYPE VARIANTS

1.4.1 The ESCC Component Number

The ESCC Component Number shall be constituted as follows:

Example: 36020140128V

- Detail Specification Reference: 3602014
- Component Type Variant Number: 01 (as required)
- Characteristic code: Rated Coil Voltage (28Vdc): 28V (as required)

1.4.1.1 *Characteristics and/or Ratings Codes*

Characteristics and/or ratings to be codified as part of the ESCC Component Number shall be as follows:

- (a) Rated Coil Voltage expressed by means of the following codes:

Rated Coil Voltage (Vdc)	Code
48	48V
28	28V
12	12V

1.4.2 Component Type Variants and Range of Components

The component type variants and range of components applicable to this specification are as follows:

Variant Number	Case Description (Note 1)	Rated Coil Voltage (Vdc)	Weight max (g)
01	Vertical 4 Stud Mount	48, 28, 12	150
04	Horizontal Flange Mount	48, 28, 12	165

NOTES:

1. See Para. 1.6.

1.5 MAXIMUM RATINGS

The maximum ratings shall not be exceeded at any time during use or storage.

Maximum ratings shall only be exceeded during testing to the extent specified in this specification and when stipulated in Test Methods and Procedures of the ESCC Generic Specification.

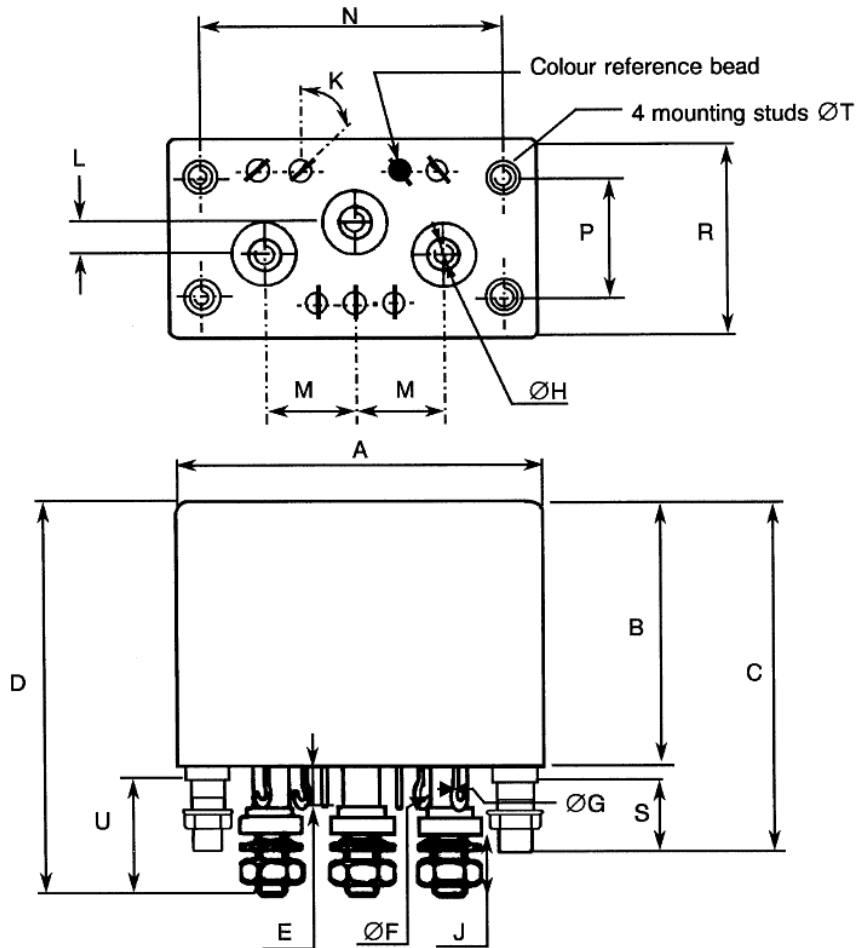
Characteristics	Symbols	Maximum Ratings	Units	Remarks
Coil Voltage Range	V_{CR}	45.5 to 55 26.5 to 32 11 to 14	Vdc	Rated Coil Voltage: 48Vdc Rated Coil Voltage: 28Vdc Rated Coil Voltage: 12Vdc
Rated Resistive Load Contact Current	I_{CR}	50 2	A	Note 1 Main Contacts; 50Vdc resistive Auxiliary Contacts; 28Vdc resistive
Rated Inductive Load Contact Current	I_{CL}	20	A	Main Contacts; 50Vdc inductive Note 1
Overload Current	$I_{OVERLOAD}$	100	A	Main Contacts; 50Vdc resistive
Terminal Nut Torque	-	1 0.5	mN	Main Contact Terminal Studs Mounting Studs (Variant 01)
Operating Temperature Range	T_{op}	-65 to +125	°C	T_{amb}
Storage Temperature Range	T_{stg}	-65 to +125	°C	T_{amb}
Soldering Temperature	T_{sol}	+260	°C	Auxiliary Contact Solder Hook Terminals; Note 2

NOTES:

1. Relays should not be used in change-over mode where the potential difference between stationary contacts is greater than 10V and the switched current is greater than 100mA.
2. Duration 10 seconds maximum at a distance not less than 3mm from the device body. The same terminal shall not be resoldered until 3 minutes have elapsed.

1.6 PHYSICAL DIMENSIONS AND TERMINAL IDENTIFICATION

1.6.1 Vertical Stud Mount (Variant 01)



Symbols	Dimensions (mm)	
	Min	Max
A	-	47.8
B	-	34.6
C	-	44.7
D	-	51.6
E	4.5	5.7
ØF	1.3	1.7

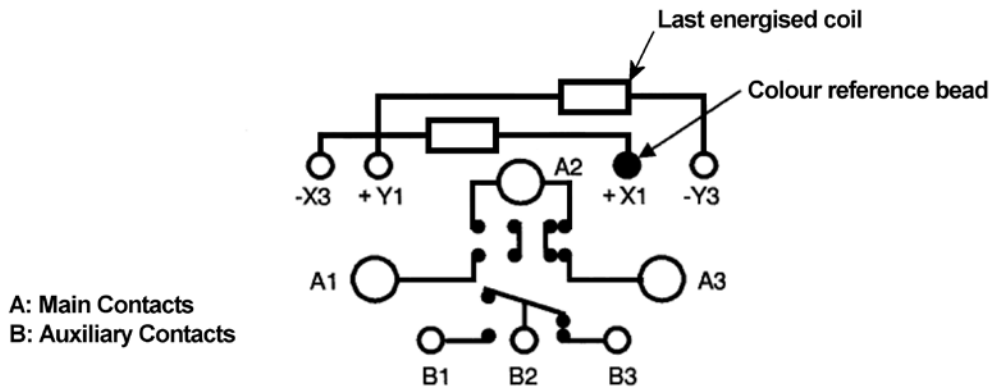
Symbols	Dimensions (mm)	
	Min	Max
ØG	0.71	0.84
ØH	M4	
J	8.4	9.4
K	40°	50°
L	3.8	4.4
M	10.9	11.5

Symbols	Dimensions (mm)	
	Min	Max
N	37.85	38.35
P	14.8	15.35
R	-	26.2
S	8.2	8.8
ØT	M3	
U	15	16.5

NOTES:

- Terminal identification is specified by reference to the colour reference bead and the terminals' configuration. See Para. 1.7.

1.7 FUNCTIONAL DIAGRAM



NOTES:

1. As viewed from the terminal side.
2. Individual terminal designations are for reference purposes only.

1.8 MATERIALS AND FINISHES

1.8.1 Case

Copper nickel, tin-lead alloy plated, hermetically sealed.

1.8.2 Terminals

Main contact studs terminal material and finish shall be type H10, and the auxiliary and coil contacts terminal material and finish shall be type F3 or F19, all in accordance with the requirements of ESCC Basic Specification No. [23500](#).

Main contact studs shall be equipped with stainless steel nuts and silver plated beryllium copper washers.

1.8.3 Mounting Studs (Variant 01)

Fe-Ni alloy.

2 REQUIREMENTS

2.1 GENERAL

The complete requirements for procurement of the components specified herein are as stated in this specification and the ESCC Generic Specification. Permitted deviations from the Generic Specification, applicable to this specification only, are listed below.

Permitted deviations from the Generic Specification and this Detail Specification, formally agreed with specific Manufacturers on the basis that the alternative requirements are equivalent to the ESCC requirement and do not affect the component's reliability, are listed in the appendices attached to this specification.

2.1.1 Deviations from the Generic Specification

2.1.1.1 Deviations from Special In-Process Controls - Chart F2

- (a) Seal, Fine Leak: Duration of Pressurisation shall be 5 hours minimum at a pressure of 200kPa.

2.1.1.2 Deviations from Screening Tests - Chart F3

- (a) Vibration Scan : [MIL-STD-202, Test Method 214](#), Test Condition II-E with the following details:
- Method of Mounting: The relays shall be mounted rigidly by normal mounting means.
 - Duration: 1 minute in the latch position and 1 minute in the reset position. Rated Coil Voltage shall be applied only for contact switch over.
 - Vibration direction: In each of three mutually perpendicular directions.
 - Contact Chatter Monitoring: Closed and open contacts shall be monitored per [MIL-STD-202, Test Method 310](#), Test-circuit B, Test Condition A.
- (b) Seal, Fine Leak: Duration of Pressurisation shall be 5 hours minimum at a pressure of 200kPa.

2.1.1.3 Deviations from Qualification and Periodic Tests - Chart F4

- (a) Seal, Fine Leak: Duration of Pressurisation shall be 5 hours minimum at a pressure of 200kPa.
- (b) Low Level Life (& Inductive Life) : Low Level Life shall be performed on auxiliary contacts at the same time and on the same samples being subjected to Inductive Life, with the following details:
- Test Temperature shall be $T_{amb} = +125 (+0 -3)^{\circ}C$.
 - Number of Cycles of Operation of auxiliary contacts shall be 5000.
 - The cycling rate specified for Inductive Life shall be applied.
- (c) Resistive Life: Number of Cycles of Operation shall be 20000 minimum.
- (d) Mechanical Life: Number of Cycles of Operation shall be 90000 minimum.

2.2 MARKING

The marking shall be in accordance with the requirements of ESCC Basic Specification No. [21700](#) and as follows.

The information to be marked on the component shall be:

- (a) The ESCC qualified components symbol (for ESCC qualified components only).
- (b) The ESCC Component Number (see Para. 1.4.1).
- (c) Traceability information.

2.3 TERMINAL STRENGTH

The terminals of all Variants are defined as rigid.

The test conditions for Terminal Strength, tested as specified in the ESCC Generic Specification, shall be as follows:

- (a) Pull Test: Applied Force:
- 15N for auxiliary contact solder hook terminals
 - 160N for main contact terminal studs
 - 50N for mounting studs (Variant 01)
- (b) Torque Test per [MIL-STD-202, Test Method 211](#), Test Condition E with the following details:
- Applied Torque:
- 1.5Nm for main contact terminal studs
 - 0.65Nm for mounting studs (Variant 01)

2.4 ELECTRICAL MEASUREMENTS AT ROOM, HIGH AND LOW TEMPERATURES

Electrical measurements shall be performed at room, high and low temperatures. Consolidated notes are given in Para. 2.4.3.

2.4.1 Room Temperature Electrical Measurements

The measurements shall be performed at $T_{amb} = +22 \pm 3^{\circ}\text{C}$.

Characteristics	Symbols	Test Method and Conditions	Rated Coil Voltage (Vdc)	Limits		Units
				Min	Max	
Latch Voltage	U _L	ESCC No. 3602 Note 1	48 28 12	14.3 9.1 3.6	24 14 6	V
Reset Voltage	U _R	ESCC No. 3602 Note 1	48 28 12	14.3 9.1 3.6	24 14 6	V
Latch Time	t _L	ESCC No. 3602	All	-	20	ms
Reset Time	t _R	ESCC No. 3602	All	-	20	ms
Bounce Time	t _B	ESCC No. 3602	All	-	2	ms
Insulation Resistance	R _I	ESCC No. 3602 V _{TEST} = 100Vdc	All	100	-	MΩ
Voltage Proof (Test Voltage)	VP	ESCC No. 3602 Maximum Leakage Current I _{LVP} = 1mA	All	1250 1000 (Note 2) 500 (Note 3)	- - -	Vrms
Voltage Proof Leakage Current	I _{LVP}	ESCC No. 3602 Note 4	All	-	1	mA
Contact Voltage Drop	V _D	ESCC No. 3602 Main Contacts: 100mA ≤ I _{TEST} ≤ 10A Auxiliary Contacts: I _{TEST} = 100mA max	All	- -	0.0025 x I _{TEST} 0.05 x I _{TEST}	V
Coil Resistance	R _B	ESCC No. 3602 Both coils	48 28 12	382 130 24	486 160 30	Ω

2.4.2 High and Low Temperatures Electrical Measurements

Characteristics	Symbols	Test Method and Conditions	Rated Coil Voltage (Vdc)	Limits		Units
				Min	Max	
Latch Voltage	U _L	ESCC No. 3602 T _{amb} = +125 (+0 -5)°C and -65 (+5 -0)°C Note 1	48 28 12	- - -	36 18 9	V
Reset Voltage	U _R	ESCC No. 3602 T _{amb} = +125 (+0 -5)°C and -65 (+5 -0)°C Note 1	48 28 12	- - -	36 18 9	V
Latch Time	t _L	ESCC No. 3602 T _{amb} = +125 (+0 -5)°C and -65 (+5 -0)°C	All	-	20	ms
Reset Time	t _R	ESCC No. 3602 T _{amb} = +125 (+0 -5)°C and -65 (+5 -0)°C	All	-	20	ms
Bounce Time	t _B	ESCC No. 3602 T _{amb} = +125 (+0 -5)°C and -65 (+5 -0)°C	All	-	2	ms
Insulation Resistance	R _I	ESCC No. 3602 T _{amb} = +125 (+0 -5)°C V _{TEST} = 100Vdc	All	50	-	MΩ
Contact Voltage Drop	V _D	ESCC No. 3602 T _{amb} = +125 (+0 -5)°C and -65 (+5 -0)°C Main Contacts: 100mA ≤ I _{TEST} ≤ 10A Auxiliary Contacts: I _{TEST} = 100mA max	All	- -	0.0025 x I _{TEST} 0.05 x I _{TEST}	V

2.4.3 Notes to Electrical Measurements Tables

1. The coil voltage rise time shall be less than 0.1t_L or 0.1t_R. The coil voltage shall be maintained for a minimum duration of 10t_L or 10t_R.
2. Between coil and case, between open main contacts, between latch and reset coils.
3. Between open auxiliary contacts.
4. Measured during Voltage Proof test.

2.5 PARAMETER DRIFT VALUES

Parameter Drift Values shall be measured as specified in the ESCC Generic Specification.

Unless otherwise specified, the measurements shall be performed at $T_{amb} = +22 \pm 3^{\circ}C$.

The test methods and test conditions shall be as per the corresponding test defined in Para. 2.4.1 Room Temperature Electrical Measurements.

The corresponding absolute limit values for each characteristic shall not be exceeded.

Characteristics	Symbols	Limits			Units
		Drift Value Δ	Absolute		
			Min	Max	
Latch Voltage	U_L	Note 1	Note 2	Note 2	V
Reset Voltage	U_R	Note 1	Note 2	Note 2	V

NOTES:

1. Drift Value (Δ) limits are not specified. Drift Values shall be recorded for information purposes only.
2. The limit specified in Para. 2.4.1 shall apply.

2.6 INTERMEDIATE AND END-POINT ELECTRICAL MEASUREMENTS

Unless otherwise specified, the measurements shall be performed at $T_{amb} = +22 \pm 3^{\circ}C$.

Unless otherwise specified the test methods and test conditions shall be as per the corresponding test defined in Para. 2.4.1 Room Temperature Electrical Measurements.

Test Reference per ESCC No. 3602	Characteristics (Note 1)	Symbols	Limits		Units
			Min	Max	
Thermal Shock	<u>During 5th Cycle</u>				
	Latch Voltage	U_L	Note 2		V
	Reset Voltage	U_R	Note 2		V
	Latch Time	t_L	Note 2		ms
	Reset Time	t_R	Note 2		ms
	<u>Final Measurements</u>				
	Voltage Proof	VP	Note 3		Vrms
Voltage Proof Leakage Current	I_{LVP}	Note 3		mA	

Test Reference per ESCC No. 3602	Characteristics (Note 1)	Symbols	Limits		Units
			Min	Max	
Low Level Sine Vibration	<u>Final Measurements</u>				
	Latch Voltage	U_L	Note 3		V
	Latch Voltage Drift	$\Delta U_L/U_L$	Note 1		%
	Reset Voltage	U_R	Note 3		V
	Reset Voltage Drift	$\Delta U_R/U_R$	Note 1		%
High Level Sine Vibration	<u>Final Measurements</u>				
	Latch Voltage	U_L	Note 3		V
	Latch Voltage Drift	$\Delta U_L/U_L$	Note 1		%
	Reset Voltage	U_R	Note 3		V
	Reset Voltage Drift	$\Delta U_R/U_R$	Note 1		%
Low Level Mechanical Shock	<u>Final Measurements</u>				
	Contact Voltage Drop: main contacts	V_D	Note 3		V
	auxiliary contacts		Note 3		
	Latch Voltage	U_L	Note 3		V
	Latch Voltage Drift	$\Delta U_L/U_L$	Note 1		%
	Reset Voltage	U_R	Note 3		V
	Reset Voltage Drift	$\Delta U_R/U_R$	Note 1		%
	Voltage Proof	V_P	Note 3		Vrms
	Voltage Proof Leakage Current	I_{LVP}	Note 3		mA
High Level Mechanical Shock	<u>Final Measurements</u>				
	Contact Voltage Drop: main contacts	V_D	Note 3		V
	auxiliary contacts		Note 3		
	Latch Voltage	U_L	Note 3		V
	Latch Voltage Drift	$\Delta U_L/U_L$	Note 1		%
	Reset Voltage	U_R	Note 3		V
	Reset Voltage Drift	$\Delta U_R/U_R$	Note 1		%
	Voltage Proof	V_P	Note 3		Vrms
	Voltage Proof Leakage Current	I_{LVP}	Note 3		mA

Test Reference per ESCC No. 3602	Characteristics (Note 1)	Symbols	Limits		Units
			Min	Max	
Resistance to Soldering Heat	<u>Final Measurements</u>				
	Insulation Resistance	R_I	Note 3		MΩ
	Contact Voltage Drop:	V_D			V
	main contacts		Note 3		
	auxiliary contacts		Note 3		
	Latch Voltage	U_L	Note 3		V
	Reset Voltage	U_R	Note 3		V
	Coil Resistance	R_B	Note 3		Ω
Low Level Life (on Auxiliary Contacts only)	<u>Final Measurements</u>				
	Contact Voltage Drop:	V_D			V
	main contacts		Note 3		
	auxiliary contacts		-	$0.1 \times I_{TEST}$	
	Insulation Resistance	R_I	50	-	MΩ
	Voltage Proof:	V_P			Vrms
	between auxiliary contacts		500	-	
	all other points		1000	-	
	Voltage Proof Leakage Current	I_{LVP}	Note 3		mA
	Latch Voltage	U_L	Note 3		V
	Latch Voltage Drift	$\Delta U_L / U_L$	Note 1		%
	Reset Voltage	U_R	Note 3		V
	Reset Voltage Drift	$\Delta U_R / U_R$	Note 1		%
	Latch Time	t_L	Note 3		ms
	Reset Time	t_R	Note 3		ms
Bounce Time	t_B	Note 3		ms	
	Coil Resistance	R_B	Note 3		Ω

Test Reference per ESCC No. 3602	Characteristics (Note 1)	Symbols	Limits		Units
			Min	Max	
Inductive Life (on Main Contacts only)	<u>During Monitoring</u>				
	Contact Voltage Drop: main contacts	V_D	-	5	V
	<u>Final Measurements</u>				
	Contact Voltage Drop: main contacts	V_D	-	$0.003 \times I_{TEST}$	V
	auxiliary contacts			Note 3	
	Insulation Resistance	R_I	50	-	$M\Omega$
	Voltage Proof:	V_P			Vrms
	between auxiliary contacts		500	-	
	all other points		1000	-	
	Voltage Proof Leakage Current	I_{LVP}		Note 3	mA
	Latch Voltage	U_L		Note 3	V
	Latch Voltage Drift	$\Delta U_L / U_L$		Note 1	%
	Reset Voltage	U_R		Note 3	V
	Reset Voltage Drift	$\Delta U_R / U_R$		Note 1	%
	Latch Time	t_L		Note 3	ms
Reset Time	t_R		Note 3	ms	
Bounce Time	t_B		Note 3	ms	
Coil Resistance	R_B		Note 3	Ω	

Test Reference per ESCC No. 3602	Characteristics (Note 1)	Symbols	Limits		Units
			Min	Max	
Resistive Life	<u>During Monitoring</u>				
	Contact Voltage Drop:	V_D	-	5	V
	main contacts		-	2.8	
	auxiliary contacts				
	<u>Final Measurements</u>				
	Contact Voltage Drop:	V_D	-	$0.003 \times I_{TEST}$	V
	main contacts		-	$0.1 \times I_{TEST}$	
	auxiliary contacts				
	Insulation Resistance	R_I	50	-	$M\Omega$
	Voltage Proof:	V_P			V_{rms}
	between auxiliary contacts		500	-	
	all other points		1000	-	
	Voltage Proof Leakage Current	I_{LVP}		Note 3	mA
	Latch Voltage	U_L		Note 3	V
	Latch Voltage Drift	$\Delta U_L / U_L$		Note 1	%
	Reset Voltage	U_R		Note 3	V
	Reset Voltage Drift	$\Delta U_R / U_R$		Note 1	%
Latch Time	t_L		Note 3	ms	
Reset Time	t_R		Note 3	ms	
Bounce Time	t_B		Note 3	ms	
Coil Resistance	R_B		Note 3	Ω	

Test Reference per ESCC No. 3602	Characteristics (Note 1)	Symbols	Limits		Units
			Min	Max	
Coil Life	<u>During Step 1 of each Cycle</u>				
	Contact Voltage Drop: main contacts auxiliary contacts	V _D	Note 3 Note 3		V
	Coil Resistance	R _B	Note 3		Ω
	<u>During Step 3 of 1st Cycle</u>				
	Contact Voltage Drop	V _D	Note 2		V
	Latch Time	t _E	Note 2		ms
	Reset Time	t _D	Note 2		ms
	<u>During Steps 4 & 5 of 4th Cycle</u>				
	Latch Voltage	U _L	Note 2		V
	Reset Voltage	U _R	Note 2		V
	<u>Final Measurements</u>				
	Voltage Proof	VP	Note 3		V _{rms}
	Voltage Proof Leakage Current	I _{LVP}	Note 3		mA
	Insulation Resistance	R _I	Note 3		MΩ
	Contact Voltage Drop: main contacts auxiliary contacts	V _D	Note 3 Note 3		V
	Coil Resistance	R _B	Note 3		Ω
	Latch Time	t _L	Note 3		ms
	Reset Time	t _R	Note 3		ms
	Bounce Time	t _B	Note 3		ms

Test Reference per ESCC No. 3602	Characteristics (Note 1)	Symbols	Limits		Units
			Min	Max	
Intermediate Current	<u>During Monitoring</u>				
	Contact Voltage Drop:	V_D			mV
	main contacts		-	200	
	auxiliary contacts		-	300	
	<u>Final Measurements</u>				
	Insulation Resistance	R_i	50	-	MΩ
	Voltage Proof:	V_P			Vrms
	between auxiliary contacts		500	-	
	all other points		1000	-	
	Voltage Proof Leakage Current	I_{LVP}		Note 3	mA
	Latch Voltage	U_L		Note 3	V
	Latch Voltage Drift	$\Delta U_L/U_L$		Note 1	%
	Reset Voltage	U_R		Note 3	V
	Reset Voltage Drift	$\Delta U_R/U_R$		Note 1	%
	Latch Time	t_L		Note 3	ms
	Reset Time	t_R		Note 3	ms
	Bounce Time	t_B		Note 3	ms
Coil Resistance	R_B		Note 3	Ω	
Contact Voltage Drop:	V_D			V	
main contacts		-	$0.003 \times I_{TEST}$		
auxiliary contacts		-	$0.1 \times I_{TEST}$		

Test Reference per ESCC No. 3602	Characteristics (Note 1)	Symbols	Limits		Units
			Min	Max	
Mechanical Life	<u>Final Measurements</u>				
	Contact Voltage Drop: main contacts	V_D	-	$0.003 \times I_{TEST}$	V
	auxiliary contacts		-	$0.1 \times I_{TEST}$	
	Latch Voltage	U_L	Note 3		V
	Latch Voltage Drift	$\Delta U_L / U_L$	Note 1		%
	Reset Voltage	U_R	Note 3		V
	Reset Voltage Drift	$\Delta U_R / U_R$	Note 1		%
	Latch Time	t_L	Note 3		ms
	Reset Time	t_R	Note 3		ms
	Bounce Time	t_B	Note 3		ms
	Coil Resistance	R_B	Note 3		Ω
Overload	<u>During Monitoring</u>				
	Contact Voltage Drop: main contacts	V_D	-	5	V
	auxiliary contacts		-	1.4	
	<u>Final Measurements</u>				
	Contact Voltage Drop: main contacts	V_D	-	$0.003 \times I_{TEST}$	V
	auxiliary contacts		-	$0.1 \times I_{TEST}$	
	Insulation Resistance	R_I	50	-	M Ω
	Voltage Proof: between auxiliary contacts	V_P	500	-	Vrms
	all other points		1000	-	
	Voltage Proof Leakage Current	I_{LVP}	Note 3		mA
	Latch Voltage	U_L	Note 3		V
	Latch Voltage Drift	$\Delta U_L / U_L$	Note 1		%
	Reset Voltage	U_R	Note 3		V
	Reset Voltage Drift	$\Delta U_R / U_R$	Note 1		%
	Latch Time	t_L	Note 3		ms
Reset Time	t_R	Note 3		ms	
Bounce Time	t_B	Note 3		ms	
	Coil Resistance	R_B	Note 3		Ω

NOTES:

1. Parameter Drift shall be calculated referenced to the measurement immediately prior to the test in question. An additional initial measurement may be performed prior to the test in question if considered necessary. Drift limits are not specified. Drift Values shall be recorded for information purposes only.
2. The limits specified in Para. 2.4.2, as applicable to the same test temperature, shall apply.
3. The limits specified in Para. 2.4.1 shall apply.

2.7 RUN-IN CONDITIONS

The test conditions for Run-in, tested as specified in the ESCC Generic Specification, shall be as follows:

- (a) Test Temperature: $+22 \pm 3^{\circ}\text{C}$.

APPENDIX A
AGREED DEVIATIONS FOR REL STPI (F)

ITEMS AFFECTED	DESCRIPTION OF DEVIATIONS
Para. 2.1.1.3 Deviations from Qualification and Periodic Tests - Chart F4	High Level Sine Vibration: Not Applicable
	High Level Mechanical Shock: Not Applicable
	Chart F4: Coil Life subgroup test sequence (under Endurance Subgroup 1): Coil Life and the subsequent tests shall only be performed for Qualification. They are not required for Periodic Testing except in the case of any significant change to the design.