



DIODE, POWER, SCHOTTKY RECTIFIER
BASED ON TYPES STPS80A150C, STPS60A150C
AND STPS40A150C

ESCC Detail Specification No. 5106/023

Issue 6	November 2021
---------	---------------



LEGAL DISCLAIMER AND COPYRIGHT

European Space Agency, Copyright © 2021. All rights reserved.

The European Space Agency disclaims any liability or responsibility, to any person or entity, with respect to any loss or damage caused, or alleged to be caused, directly or indirectly by the use and application of this ESCC publication.

This publication, without the prior permission of the European Space Agency and provided that it is not used for a commercial purpose, may be:

- copied in whole, in any medium, without alteration or modification.
- copied in part, in any medium, provided that the ESCC document identification, comprising the ESCC symbol, document number and document issue, is removed.

DOCUMENTATION CHANGE NOTICE

(Refer to <https://escies.org> for ESCC DCR content)

DCR No.	CHANGE DESCRIPTION
1458	Specification upissued to incorporate changes per DCR.

TABLE OF CONTENTS

1	GENERAL	5
1.1	SCOPE	5
1.2	APPLICABLE DOCUMENTS	5
1.3	TERMS, DEFINITIONS, ABBREVIATIONS, SYMBOLS AND UNITS	5
1.4	THE ESCC COMPONENT NUMBER AND COMPONENT TYPE VARIANTS	5
1.4.1	The ESCC Component Number	5
1.4.2	Component Type Variants	5
1.5	MAXIMUM RATINGS	6
1.6	HANDLING PRECAUTIONS	7
1.7	PHYSICAL DIMENSIONS AND TERMINAL IDENTIFICATION	7
1.7.1	Surface Mount Package (SMD.5) - 3 Terminal (Variants 01, 02, 05, 06)	7
1.7.2	Metal Flange Mount Package (TO-254AA) - 3 Lead (Variants 03, 04)	8
1.7.3	Notes to Para. 1.7 Physical Dimensions and Terminal Identification	9
1.8	FUNCTIONAL DIAGRAM	9
1.9	MATERIALS AND FINISHES	9
2	REQUIREMENTS	10
2.1	GENERAL	10
2.1.1	Deviations from the Generic Specification	10
2.2	MARKING	10
2.3	TERMINAL STRENGTH	10
2.4	ELECTRICAL MEASUREMENTS AT ROOM, HIGH AND LOW TEMPERATURES	10
2.4.1	Room Temperature Electrical Measurements	11
2.4.2	High and Low Temperatures Electrical Measurements	12
2.4.3	Notes to Electrical Measurements Tables	12
2.5	PARAMETER DRIFT VALUES	13
2.6	INTERMEDIATE AND END-POINT ELECTRICAL MEASUREMENTS	14
2.7	HIGH TEMPERATURE REVERSE BIAS BURN-IN CONDITIONS	14
2.8	POWER BURN-IN CONDITIONS	14
2.9	OPERATING LIFE CONDITIONS	14
	APPENDIX A	15

1 GENERAL

1.1 SCOPE

This specification details the ratings, physical and electrical characteristics and test and inspection data for the component type variants and/or the range of components specified below. It supplements the requirements of, and shall be read in conjunction with, the ESCC Generic Specification listed under Applicable Documents.

1.2 APPLICABLE DOCUMENTS

The following documents form part of this specification and shall be read in conjunction with it:

- (a) ESCC Generic Specification No. [5000](#)
- (b) [MIL-STD-750](#), Test Methods and Procedures for Semiconductor Devices

1.3 TERMS, DEFINITIONS, ABBREVIATIONS, SYMBOLS AND UNITS

For the purpose of this specification, the terms, definitions, abbreviations, symbols and units specified in ESCC Basic Specification No. [21300](#) shall apply.

1.4 THE ESCC COMPONENT NUMBER AND COMPONENT TYPE VARIANTS

1.4.1 The ESCC Component Number

The ESCC Component Number shall be constituted as follows:

Example: 510602301

- Detail Specification Reference: 5106023
- Component Type Variant Number: 01 (as required)

1.4.2 Component Type Variants

The component type variants applicable to this specification are as follows:

Variant Number	Based on Type	Case	Average Output Rectified Current per Device (I _o) (A)	Description	Lead/Terminal Material and Finish	Weight Max (g)
01	STPS80A150C	SMD.5	80	Dual diode, common cathode	Q14	0.92
02	STPS60A150C	SMD.5	60	Dual diode, common cathode	Q14	0.92
03	STPS40A150C	TO-254AA	40	Dual diode, common cathode	S14	9.4
04	STPS40A150C	TO-254AA	40	Dual diode, common cathode	S4	9.4
05	STPS80A150C	SMD.5	80	Dual diode, common cathode	Q4	0.92
06	STPS60A150C	SMD.5	60	Dual diode, common cathode	Q4	0.92

The lead/terminal material and finish shall be in accordance with the requirements of ESCC Basic Specification No. [23500](#).

1.5 MAXIMUM RATINGS

The maximum ratings shall not be exceeded at any time during use or storage.

Maximum ratings shall only be exceeded during testing to the extent specified in this specification and when stipulated in Test Methods and Procedures of the ESCC Generic Specification.

Characteristics	Symbols	Maximum Ratings	Unit	Remarks
Forward Surge Current (per diode) Variants 01, 02, 05, 06 Variants 03, 04	I _{FSM}	190 220	A	Notes 1, 2
Working Peak Reverse Voltage	V _{RWM}	150	V	
Repetitive Peak Reverse Voltage	V _{RRM}	150	V	
Average Output Rectified Current Variants 01, 05 (per diode) Variants 01, 05 (per device) Variants 02, 06 (per diode) Variants 02, 06 (per device) Variants 03, 04 (per diode) Variants 03, 04 (per device)	I _o	40 80 30 60 40 40	A	Note 3
Operating Temperature Range (Case Temperature)	T _{op}	-65 to +175	°C	
Junction Temperature	T _j	+175	°C	Note 4
Storage Temperature Range	T _{stg}	-65 to +175	°C	
Soldering Temperature	T _{sol}	+245	°C	Note 5
Thermal Resistance, Junction to Case Variants 01, 02, 05, 06 (per diode) Variants 01, 02, 05, 06 (per device) Variants 03, 04 (per diode) Variants 03, 04 (per device)	R _{th(j-c)}	3.4 2.2 1.8 1.3	°C/W	
Thermal Resistance, Junction to Ambient Variants 01, 02, 05, 06 Variants 03, 04	R _{th(j-a)}	95 50	°C/W	Note 4

NOTES:

- Sinusoidal pulse of 10ms duration.
- At T_{amb} ≤ 25°C.
- For Variants 01, 05 per diode: At T_{case} > +33.5°C, derate linearly to 0A at +175°C.
For Variants 01, 05 per device: At T_{case} > -8°C, derate linearly to 0A at +175°C.
For Variants 02, 06 per diode: At T_{case} > +74°C, derate linearly to 0A at +175°C.
For Variants 02, 06 per device: At T_{case} > +44°C, derate linearly to 0A at +175°C.
For Variants 03, 04 per diode: At T_{case} > +99°C, derate linearly to 0A at +175°C.
For Variants 03, 04 per device: At T_{case} > +126°C, derate linearly to 0A at +175°C.
- To avoid the risk of thermal runaway of a diode, on its own heatsink, the following condition shall be applied: (dP_{tot}/dT_j) < (1/R_{th(j-a)})
- Duration 5s maximum and the same package shall not be resoldered until 3 minutes have elapsed.

1.6 HANDLING PRECAUTIONS

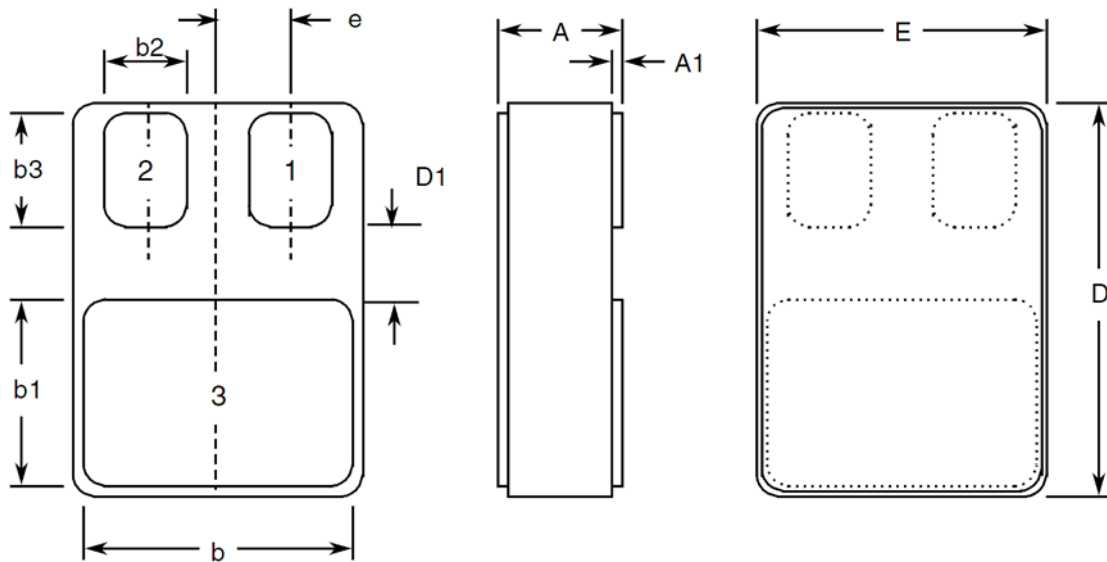
These devices are susceptible to damage by electrostatic discharge. Therefore, suitable precautions shall be employed for protection during all phases of manufacture, testing, packaging, shipment and any handling.

These components are categorised as Class 3 per ESCC Basic Specification No. 23800 with a Minimum Critical Path Failure Voltage of 8kV.

The TO-254AA package contains Beryllium Oxide (BeO) and therefore must not be ground, machined, sandblasted or subjected to any mechanical operation which will produce dust. The case must not be subjected to any chemical process (e.g. etching) which will produce fumes.

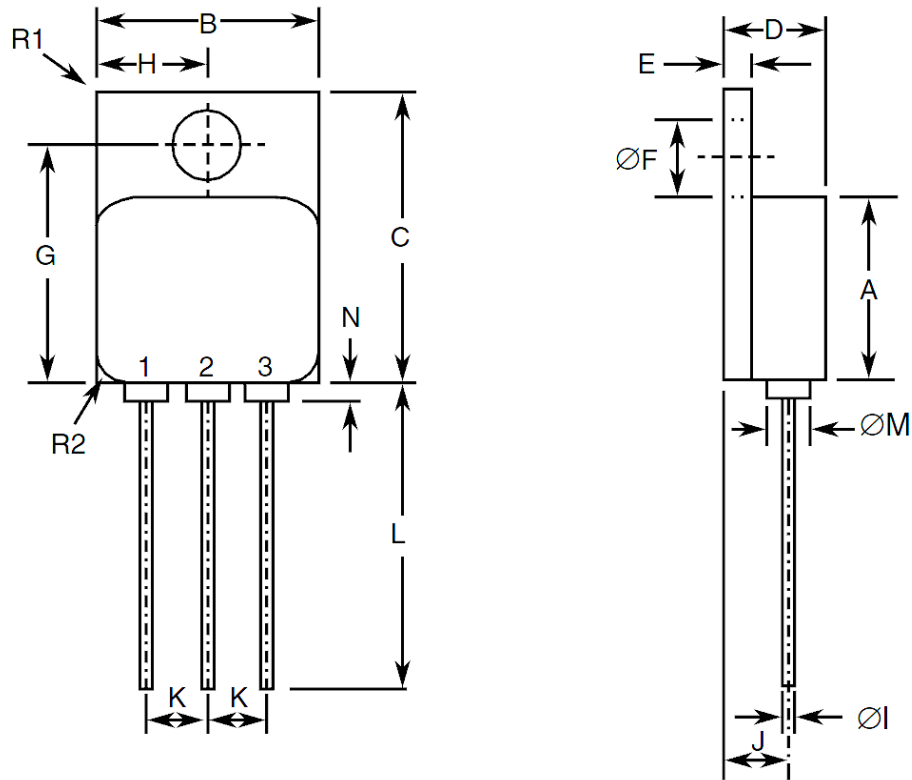
1.7 PHYSICAL DIMENSIONS AND TERMINAL IDENTIFICATION

1.7.1 Surface Mount Package (SMD.5) - 3 Terminal (Variants 01, 02, 05, 06)



Symbols	Dimensions mm		Notes
	Min	Max	
A	2.84	3.15	
A1	0.25	0.51	
b	7.13	7.39	
b1	5.58	5.84	
b2	2.28	2.54	2
b3	2.92	3.18	2
D	10.03	10.28	
D1	0.76	-	2
E	7.39	7.64	
e	1.91 BSC		2

1.7.2 Metal Flange Mount Package (TO-254AA) - 3 Lead (Variants 03, 04)



Symbols	Dimensions mm		Notes
	Min	Max	
A	13.59	13.84	
B	13.59	13.84	
C	20.07	20.32	
D	6.3	6.7	
E	1	1.35	
ØF	3.5	3.9	
G	16.89	17.4	
H	6.86 BSC		
ØI	0.89	1.14	3
J	3.81 BSC		
K	3.81 BSC		
L	12.95	14.5	
ØM	3.05 Typical		3
N	-	0.71	3
R1	-	1	4
R2	1.65 Typical		5

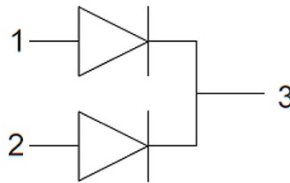
1.7.3 Notes to Para. 1.7 Physical Dimensions and Terminal Identification

1. Terminal identification is specified by the component's geometry. See Para. 1.8 Functional Diagram for the terminal connections.
2. 2 places.
3. 3 places.
4. Radius of heatsink flange corner, 4 places.
5. Radius of body corner, 4 places.

1.8 FUNCTIONAL DIAGRAM

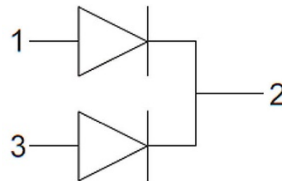
Variants 01, 02, 05, 06

Terminal 1: Anode 1
Terminal 2: Anode 2
Terminal 3: Common cathode



Variants 03, 04

Terminal 1: Anode 1
Terminal 2: Common Cathode
Terminal 3: Anode 2



NOTES:

1. For Variants 01, 02, 05, 06 the lid is not connected to any terminal.
2. For Variants 03, 04, the case is not connected to any lead.

1.9 MATERIALS AND FINISHES

Materials and finishes shall be as follows:

- (a) Case
For the surface mount package, the case shall be hermetically sealed and have a ceramic body with a Kovar lid.
For the metal flange mount package the case shall be hermetically sealed and have a metal body. The leads pass through ceramic eyelets brazed into the frame and the lid shall be welded.
- (b) Lead/Terminal Finish
As specified in Para. 1.4.2 Component Type Variants.

2 REQUIREMENTS

2.1 GENERAL

The complete requirements for procurement of the components specified herein are as stated in this specification and the ESCC Generic Specification. Permitted deviations from the Generic Specification, applicable to this specification only, are listed below.

Permitted deviations from the Generic Specification and this Detail Specification, formally agreed with specific Manufacturers on the basis that the alternative requirements are equivalent to the ESCC requirement and do not affect the component's reliability, are listed in the appendices attached to this specification.

2.1.1 Deviations from the Generic Specification

None.

2.2 MARKING

The marking shall be in accordance with the requirements of ESCC Basic Specification No. 21700 and as follows.

The information to be marked on the component shall be:

- (a) The ESCC qualified components symbol (for ESCC qualified components only).
- (b) The ESCC Component Number (see Para. 1.4.1).
- (c) Traceability information.
- (d) Warning sign for beryllium oxide (applicable to Variants 03 and 04 only).

2.3 TERMINAL STRENGTH

For Variants 03 and 04, the test conditions for Terminal Strength, tested as specified in the ESCC Generic Specification, shall be as follows:

- Test Condition: A, tension, with an applied force of 10N for a duration of 10s.

2.4 ELECTRICAL MEASUREMENTS AT ROOM, HIGH AND LOW TEMPERATURES

Electrical measurements shall be performed at room, high and low temperatures. Consolidated notes are given in Para. 2.4.3.

2.4.1 Room Temperature Electrical Measurements

The measurements shall be performed at $T_{amb} = +25 \pm 3^{\circ}C$.

Characteristics	Symbols	MIL-STD-750 Test Method	Test Conditions Note 1	Limits		Units
				Min	Max	
Reverse Current	I_R	4016	DC Method, $V_R = 150V$	-	14	μA
Forward Voltage 1	V_{F1}	4011	$I_F = 5A$, Note 2	-	0.78	V
Forward Voltage 2	V_{F2}	4011	$I_F = 10A$, Note 2	-	0.85	V
Forward Voltage 3	V_{F3}	4011	$I_F = 20A$, Note 2 Variants 01, 02, 05, 06 Variants 03, 04	-	0.93	V
				-	0.94	
Forward Voltage 4	V_{F4}	4011	$I_F = 30A$, Note 2 Variants 01, 02, 05, 06 Variants 03, 04	-	0.99	V
				-	1	
Forward Voltage 5	V_{F5}	4011	$I_F = 40A$, Note 2 Variants 01, 05 Variants 03, 04	-	1.04	V
				-	1.05	
Capacitance	C	4001	$V_R = 10V$ $V_{sig} = 30mV$ (p-p) max $f = 1MHz$	-	310	pF
Critical Rate of Rise of Reverse Voltage	dV/dt	-	Note 3	-	10000	V/ μs
Thermal Impedance, Junction to Case	$Z_{th(j-c)}$	3101	Note 4	ΔV_F , Note 5		$^{\circ}C/W$

2.4.2 High and Low Temperatures Electrical Measurements

Characteristics	Symbols	MIL-STD-750 Test Method	Test Conditions Notes 1 and 6	Limits		Units
				Min	Max	
Reverse Current	I_R	4016	$T_{amb} = +125 (+0 -5) ^\circ C$ DC Method, $V_R = 150V$	-	8	mA
Forward Voltage 1	V_{F1}	4011	$T_{amb} = +125 (+0 -5) ^\circ C$ $I_F = 5A$, Note 2	-	0.62	V
			$T_{amb} = -55 (+5 -0) ^\circ C$ $I_F = 5A$, Note 2	-	0.84	V
Forward Voltage 2	V_{F2}	4011	$T_{amb} = +125 (+0 -5) ^\circ C$ $I_F = 10A$, Note 2 Variants 01, 02, 05, 06 Variants 03, 04	-	0.69	V
			$T_{amb} = -55 (+5 -0) ^\circ C$ $I_F = 10A$, Note 2 Variants 01, 02, 05, 06 Variants 03, 04	-	1.03	
				-	0.7	V
				-	1.04	
Forward Voltage 3	V_{F3}	4011	$T_{amb} = +125 (+0 -5) ^\circ C$ $I_F = 20A$, Note 2 Variants 01, 02, 05, 06 Variants 03, 04	-	0.78	V
			$T_{amb} = -55 (+5 -0) ^\circ C$ $I_F = 20A$, Note 2 Variants 01, 02, 05, 06 Variants 03, 04	-	1.435	
				-	0.79	V
				-	1.455	
Forward Voltage 4	V_{F4}	4011	$T_{amb} = +125 (+0 -5) ^\circ C$ $I_F = 30A$, Note 2 Variants 01, 02, 05, 06 Variants 03, 04	-	0.83	V
			$T_{amb} = -55 (+5 -0) ^\circ C$ $I_F = 30A$, Note 2 Variants 01, 02, 05, 06 Variants 03, 04	-	1.87	
				-	0.85	V
				-	1.89	
Forward Voltage 5	V_{F5}	4011	$T_{amb} = +125 (+0 -5) ^\circ C$ $I_F = 40A$, Note 2 Variants 01, 05 Variants 03, 04	-	0.88	V
			$T_{amb} = -55 (+5 -0) ^\circ C$ $I_F = 40A$, Note 2 Variants 01, 05 Variants 03, 04	-	2.33	
				-	0.91	V
				-	2.37	

2.4.3 Notes to Electrical Measurements Tables

1. Measurement per each diode.
2. Pulsed measurement: Pulse Width $\leq 680\mu s$, Duty Cycle $\leq 2\%$.
3. Turn-off rate from a stationary state with no conduction. Reverse voltage $< V_{RWM}$
4. Performed only during Screening Tests Parameter Drift Values (Initial Measurements), go-no-go.
5. The limits for ΔV_F shall be defined by the Manufacturer on every lot in accordance with MIL-STD-750 Method 3101 and shall guarantee the $R_{th(j-c)}$ limits specified in Para. 1.5 Maximum Ratings.
6. Read and record measurements shall be performed on a sample of 5 components with 0 failures allowed. Alternatively a 100% inspection may be performed.

2.5 PARAMETER DRIFT VALUES

Unless otherwise specified, the measurements shall be performed at $T_{amb} = +25 \pm 3^{\circ}C$.

The test methods and test conditions shall be as per the corresponding test defined in Para. 2.4.1, Room Temperature Electrical Measurements.

The drift values (Δ) shall not be exceeded for each characteristic specified. The corresponding absolute limit values for each characteristic shall not be exceeded.

Characteristics	Symbols	Limits			Units
		Drift Value Δ	Absolute		
			Min	Max	
Reverse Current	I_R	± 5 or (1) $\pm 100\%$	-	14	μA
Forward Voltage 1	V_{F1}	± 0.05	-	0.78	V
Forward Voltage 2	V_{F2}	± 0.05	-	0.85	V
Forward Voltage 3 Variants 01, 02, 05, 06 Variants 03, 04	V_{F3}	± 0.05	- -	0.93 0.94	V
Forward Voltage 4 Variants 01, 02, 05, 06 Variants 03, 04	V_{F4}	± 0.05	- -	0.99 1	V
Forward Voltage 5 Variants 01, 05 Variants 03, 04	V_{F5}	± 0.05	- -	1.04 1.05	V

NOTES:

1. Whichever is the greater referred to the initial value.

2.6 INTERMEDIATE AND END-POINT ELECTRICAL MEASUREMENTS

Unless otherwise specified, the measurements shall be performed at $T_{amb} = +25 \pm 3^{\circ}\text{C}$.

The test methods and test conditions shall be as per the corresponding test defined in Para. 2.4.1, Room Temperature Electrical Measurements.

The drift values (Δ) shall not be exceeded for each characteristic specified. The corresponding absolute limit values for each characteristic shall not be exceeded.

Characteristics	Symbols	Limits		Units
		Min	Max	
Reverse Current	I_R	-	14	μA
Forward Voltage 1	V_{F1}	-	0.78	V
Forward Voltage 2	V_{F2}	-	0.85	V
Forward Voltage 3 Variants 01, 02, 05, 06 Variants 03, 04	V_{F3}	- -	0.93 0.94	V
Forward Voltage 4 Variants 01, 02, 05, 06 Variants 03, 04	V_{F4}	- -	0.99 1	V
Forward Voltage 5 Variants 01, 05 Variants 03, 04	V_{F5}	- -	1.04 1.05	V

2.7 HIGH TEMPERATURE REVERSE BIAS BURN-IN CONDITIONS

Characteristics	Symbols	Test Conditions	Units
Ambient Temperature	T_{amb}	+80 (+0 -5)	$^{\circ}\text{C}$
Reverse Voltage	V_R	120	V
Duration	t	≥ 48	Hours

2.8 POWER BURN-IN CONDITIONS

Characteristics	Symbols	Test Conditions	Units
Ambient Temperature	T_{amb}	+25 (+0 -5)	$^{\circ}\text{C}$
Junction Temperature	T_J	+175 (+0 -5)	$^{\circ}\text{C}$
Average Output Rectified Current	I_o	Note 1	A
Duration	t	≥ 168	Hours

NOTES:

- The output current may be adjusted, within the given limit range, to attain the specified junction temperature.

2.9 OPERATING LIFE CONDITIONS

The conditions shall be as specified in Para. 2.8, Power Burn-in Conditions.

APPENDIX A
AGREED DEVIATIONS FOR STMICROELECTRONICS (F)

ITEMS AFFECTED	DESCRIPTION OF DEVIATIONS
Para. 2.1.1, Deviations from the Generic Specification: Para. 8, Test Methods and Procedures	For qualification and qualification maintenance, or procurement of qualified or unqualified components, the following replacement test method specifications shall be used instead of the following ESCC Basic Specifications: <ul style="list-style-type: none"> • No. 20400, Internal Visual Inspection: replaced by MIL-STD-750 Test Method 2078. • No. 20500, External Visual Inspection: replaced by MIL-STD-750 Test Method 2071. No. 20900, Radiographic Inspection of Electronic Components: replaced by MIL-STD-750 Test Method 2076 .
Para. 2.1.1, Deviations from the Generic Specification: Deviations from Production Control – Chart F2	Special In-Process Controls - Internal Visual Inspection: Wedge bonds equal to 1.1 wire diameter are acceptable for bonding with a V-Groove tool.
Para. 2.1.1, Deviations from the Generic Specification: Deviations from Screening Tests for Packaged Components – Chart F3A	Solderability: Solderability is not applicable unless specifically stipulated in the Purchase Order. Room Temperature Electrical Measurements: Capacitance and Critical Rate of Rise of Reverse Voltage may be considered guaranteed but not tested if successful pilot lot testing has been performed in accordance with STMicroelectronics “Acceptation wafers” internal procedure as specified in the PID, which includes AC characteristic measurements per the Detail Specification. A summary of the pilot lot testing shall be provided if required by the Purchase Order.

ADDITIONAL DATA – STMICROELECTRONICS (F)

(a) Derating for Space Application

The derating for space applications was originally obtained on STPS60A150 devices under the following test conditions. A **Post-Irradiation Gate Stress (PIGS)** test has been done after irradiation. The testing was performed in a vacuum at UCL (Louvain-la-Neuve, Belgium):

Ions used: Xe and Kr
 LET = 62.5 and 32.4 MeV/(mg/cm²) respectively
 Energy = 995 and 769 MeV resp.
 Range = 73.1 and 94.2 μm(Si) respectively

These components are susceptible to **Single Event Burn-out (SEB)** if operated in a space environment unless the following derating is applied:

V_R (V) \ / \ LET (MeV.cm ² /mg)	150	127.5	85
	32.4	OK	
62.5	SEB	PIST *	OK

* Test samples found to be out-of-spec for Reverse Leakage Current parameter during **Post-Irradiation STress** testing.