



**CONNECTORS, ELECTRICAL, RECTANGULAR,  
NON-REMOVABLE SOLDER BUCKET, PCB AND  
WIRE-WRAP CONTACTS AND REMOVABLE  
COAXIAL AND POWER CONTACTS,**

**BASED ON TYPE D\*M**

**ESCC Detail Specification No. 3401/001**

Issue 13	January 2025
----------	--------------



### **LEGAL DISCLAIMER AND COPYRIGHT**

European Space Agency, Copyright © 2025. All rights reserved.

The European Space Agency disclaims any liability or responsibility, to any person or entity, with respect to any loss or damage caused, or alleged to be caused, directly or indirectly by the use and application of this ESCC publication.

This publication, without the prior permission of the European Space Agency and provided that it is not used for a commercial purpose, may be:

- copied in whole, in any medium, without alteration or modification.
- copied in part, in any medium, provided that the ESCC document identification, comprising the ESCC symbol, document number and document issue, is removed.

**DOCUMENTATION CHANGE NOTICE**

(Refer to <https://escies.org> for ESCC DCR content)

DCR No.	CHANGE DESCRIPTION
<a href="#">1698, 1593</a>	Specification upissued to include changes per DCR.

**TABLE OF CONTENTS**

1	GENERAL	6
1.1	SCOPE	6
1.2	RANGE OF COMPONENTS AND COMPONENT TYPE VARIANTS	6
1.3	MAXIMUM RATINGS	6
1.4	PARAMETER DERATING INFORMATION	6
1.5	PHYSICAL DIMENSIONS	6
2	APPLICABLE DOCUMENTS	7
3	TERMS, DEFINITIONS, ABBREVIATIONS, SYMBOLS AND UNITS	7
4	REQUIREMENTS	46
4.1	GENERAL	46
4.2	DEVIATIONS FROM GENERIC SPECIFICATION	46
4.2.1	Deviations from Special In-Process Controls	46
4.2.2	Deviations from Final Production Tests (Chart II)	46
4.2.3	Deviations from Burn-in and Electrical Measurements (Chart III)	46
4.2.4	Deviations from Qualification Tests (Chart IV)	46
4.2.5	Deviations from Lot Acceptance Tests (Chart V)	46
4.3	MECHANICAL REQUIREMENTS	46
4.3.1	Dimension Check	46
4.3.2	Weight	46
4.3.3	Contact Capability	47
4.3.4	Contact Retention (in insert)	47
4.3.5	Mating and Unmating Forces	47
4.3.6	Insert Retention (in Shell)	47
4.3.7	Jackscrew Retention	47
4.3.8	Contact Insertion and Withdrawal Forces	47
4.3.9	Engagement and Separation Forces	47
4.3.10	Oversize Pin Exclusion	48
4.3.11	Probe Damage	48
4.3.12	Solderability	48
4.4	MATERIALS AND FINISHES	48
4.4.1	Shells	48
4.4.2	Inserts	48
4.4.3	Contacts	48
4.4.4	Contact Retaining Clip	49
4.4.5	Guiding and Locking Devices	49
4.4.6	Magnetism Level	49
4.5	MARKING	49



4.5.1	General	49
4.5.2	The ESCC Component Number	49
4.5.2.2	Characteristics Codes	50
4.5.3	Traceability Information	52
4.6	ELECTRICAL MEASUREMENTS	52
4.6.1	Electrical Measurements at Room Temperature	52
4.6.2	Electrical Measurements at High and Low Temperatures	52
4.6.3	Circuit for Electrical Measurements (Figure 4)	53
4.7	BURN-IN AND ELECTRICAL MEASUREMENTS	53
4.8	ENVIRONMENTAL AND ENDURANCE TESTS (CHARTS IV AND V OF ESCC GENERIC SPECIFICATION NO. 3401)	53
4.8.1	Measurements and Inspections on Completion of Environmental Tests	53
4.8.2	Measurements and Inspections at Intermediate Points during Endurance Tests	53
4.8.3	Measurements and Inspections on Completion of Endurance Tests	54
4.8.4	Conditions for Operating Life Test (Part of Endurance Testing)	54
4.8.5	Electrical Circuits for Operating Life Test (Figure 5)	54
4.8.6	Conditions for High Temperature Storage Test (Part of Endurance Testing)	54
APPENDIX A		57
APPENDIX B		58

## 1 GENERAL

### 1.1 SCOPE

This specification details the ratings, physical and electrical characteristics, test and inspection data for Connectors, Electrical, Rectangular, Non-removable Solder Bucket, PCB and Wire-wrap Contacts and removable Coaxial and Power Contacts, based on type D\*M. It shall be read in conjunction with:

- ESCC Generic Specification No. [3401](#), Connectors, Electrical, Non-Filtered, Circular and Rectangular.
- ESCC Detail Specification No. [3401/004](#), Contacts, Coaxial, Crimp-Type, Solder-Type and PCB-Type for [3401/001](#) Connectors and Male/Female-Type for [3401/080](#) Connector Savers.
- ESCC Detail Specification No. [3401/022](#), Accessories for Rectangular Connectors [3401/001](#), [3401/002](#) and Connector Savers [3401/020](#) and [3401/080](#).
- ESCC Detail Specification No. [3401/040](#), Contacts, Power, Crimp-Type, Solder-Type and PCB-Type for [3401/001](#) Connectors and Male/Female-Type for [3401/080](#) Connector Savers.
- ESCC Detail Specification No. [3401/072](#), Lightweight Accessories for Rectangular Connectors [3401/001](#) and [3401/002](#).
- ESCC Detail Specification No. [3401/085](#), Fast-locking Screw Lock Assemblies for Rectangular Connectors [3401/001](#), [3401/002](#) and Connector Savers [3401/020](#), [3401/080](#).

the requirements of which are supplemented herein.

### 1.2 RANGE OF COMPONENTS AND COMPONENT TYPE VARIANTS

The different sizes of the connectors and contact types specified herein, which are also covered by this specification, together with their mechanical characteristics, are given in Table 1(a).

### 1.3 MAXIMUM RATINGS

The maximum ratings, which shall not be exceeded at any time during use or storage, applicable to the connectors specified herein, are given in Table 1(b).

### 1.4 PARAMETER DERATING INFORMATION

The applicable derating information for the connectors specified herein is shown in Figure 1.

### 1.5 PHYSICAL DIMENSIONS

The physical dimensions of the connectors specified herein and the available contact arrangements are shown in Figure 2.

**2 APPLICABLE DOCUMENTS**

The following documents form part of this specification and shall be read in conjunction with it:

- (a) ESCC Generic Specification No. 3401 for Connectors, Electrical, Non-Filtered, Circular and Rectangular.
- (b) ESCC Detail Specification No. 3401/004, Contacts, Coaxial, Crimp-Type, Solder-Type and PCB-Type for 3401/001 Connectors and Male/Female-Type for 3401/080 Connector Savers.
- (c) ESCC Detail Specification No. 3401/022, Accessories for Rectangular Connectors, 3401/001, 3401/002 and Connector Savers 3401/020 and 3401/080.
- (d) ESCC Detail Specification 3401/040, Contacts, Power, Crimp-Type, Solder-Type and PCB-Type for 3401/001 Connectors and Male/Female-Type for 3401/080 Connector Savers.
- (e) ESCC Detail Specification No. 3401/072, Lightweight Accessories for Rectangular Connectors 3401/001 and 3401/002.
- (f) ESCC Detail Specification No. 3401/085, Fast-locking Screw Lock Assemblies for Rectangular Connectors 3401/001, 3401/002 and Connector Savers 3401/020, 3401/080.
- (g) MIL-DTL-24308, Rack and Panel Connectors, Miniature.
- (h) NASA/GSFC Specification S-311-P-10, Connectors, Electrical, Rectangular, Miniature, Polarised Shell, Rack and Panel, for Space Flight Use.

**3 TERMS, DEFINITIONS, ABBREVIATIONS, SYMBOLS AND UNITS**

For the purpose of this specification, the terms, definitions, abbreviations, symbols and units specified in ESCC Basic Specification No. 21300 shall apply.

**TABLE 1(a) - RANGE OF COMPONENTS AND TYPE VARIANTS**

SHELL SIZES

Variant	Shell Size (1)	Max. Weight (g) (2) (3)		Mating Force (N max) (22)	Unmating Force (22)	
		Male	Female		N min	N max
01 (Gauge 20 Contacts)	E	4.5	5	30	3.5	20
	A	5.5	7	50	4.5	34
	B	9	10	83	8	55
	C	12.5	13.5	123	11	83
	D	13.5	15	166	14.5	120
02 (Gauge 22 Contacts)	E	5.2	6	46	3.4	28
	A	7.4	8	77	4.5	46
	B	11	12	127	7.9	77
	C	15.6	17	177	11.3	109
	D	18.2	20	222	14.7	136
	F	23	25	295	20.3	177

CONTACT TYPES

Contact Termination Codes		Contact Types (4)	Maximum Weight of Contacts (g)				
			Variant 01		Variant 02		
			Male	Female	Male	Female	
Tail 0.6	Tail 0.76	-	Gauge 20 solder bucket contact for wire sizes AWG 20 to 24	0.19	0.22	-	-
-	-	-	Gauge 22 solder bucket contact for wire sizes AWG 22 to 26	-	-	0.14 (5)	0.19 (5)
-	-	-		-	-	0.16 (6)	0.21 (6)
-	-	-		-	-	0.18 (7)	0.23 (7)
OL3	N/A		Straight PCB contact gauges 20, 22	0.17	0.2	0.14	0.19
N/A	Z		Straight PCB contact gauges 20	0.17	0.2	-	-
1A0N	2A0N		Gauge 20 90° PCB solder contact (2.54mm row spacing)	0.24 (8)	0.29 (8)	-	-
				0.28 (9)	0.34 (9)	-	-
				0.32 (10)	0.37 (10)	-	-
1B0N	2B0N		Gauge 20 90° PCB solder contact (2.84mm row spacing)	0.24 (8)	0.29 (8)	-	-
				0.28 (9)	0.34 (9)	-	-
				0.32 (10)	0.37 (10)	-	-
1C0N	N/A		Gauge 22 90° PCB solder contact (1.98mm row spacing shell sizes E, A, B, C)	-	-	0.16 (11)	0.21 (11)
				-	-	0.18 (12)	0.23 (12)
				-	-	0.2 (13)	0.25 (13)
1D0N	N/A		Gauge 22 90° PCB solder contact (2.08mm row spacing shell sizes D, F)	-	-	0.16 (11)	0.21 (11)
				-	-	0.18 (12)	0.23 (12)
				-	-	0.2 (13)	0.25 (13)
				-	-	0.22 (14)	0.27 (14)
				-	-	0.24 (15)	0.29 (15)
1(16)7N	2(16)7N		Gauge 20 90° PCB solder contact equipped with 90° bracket and screwlocks 4-40 (17)	0.24 (8)	0.29 (8)	-	-
				0.28 (9)	0.34 (9)	-	-
				0.32 (10)	0.37 (10)	-	-
1(16)9N	2(16)9N		Gauge 20 90° PCB solder contact equipped with 90° bracket and screwlocks M3 (17)	0.24 (8)	0.29 (8)	-	-
				0.28 (9)	0.34 (9)	-	-
				0.32 (10)	0.37 (10)	-	-
1C7N	N/A		Gauge 22 90° PCB solder contact equipped with 90° bracket and screwlocks 4-40 (1.98mm row spacing shell sizes E, A, B, C) (17)	-	-	0.16 (11)	0.21 (11)
				-	-	0.18 (12)	0.23 (12)
				-	-	0.2 (13)	0.25 (13)
1C9N	N/A		Gauge 22 90° PCB solder contact equipped with 90° bracket and screwlocks M3 (1.98mm row spacing shell sizes E, A, B, C) (17)	-	-	0.16 (11)	0.21 (11)
				-	-	0.18 (12)	0.23 (12)
				-	-	0.2 (13)	0.25 (13)
1D7N	N/A		Gauge 22 90° PCB solder contact equipped with 90° bracket and screwlocks 4-40 (2.08mm row spacing shell sizes D, F) (17)	-	-	0.16 (11)	0.21 (11)
				-	-	0.18 (12)	0.23 (12)
				-	-	0.2 (13)	0.25 (13)
				-	-	0.22 (14)	0.27 (14)
				-	-	0.24 (15)	0.29 (15)
1D9N	N/A		Gauge 22 90° PCB solder contact equipped with 90° bracket and screwlocks M3 (2.08mm row spacing shell sizes D, F) (17)	-	-	0.16 (11)	0.21 (11)
				-	-	0.18 (12)	0.23 (12)
				-	-	0.2 (13)	0.25 (13)
				-	-	0.22 (14)	0.27 (14)
				-	-	0.24 (15)	0.29 (15)
N/A	P		Gauge 20 90° PCB solder contact (2.84mm row spacing) Narrow Profile	0.22 (8)	0.27 (8)	-	-
				0.26 (9)	0.32 (9)	-	-
				0.3 (10)	0.35 (10)	-	-



Contact Termination Codes		Contact Types (4)	Maximum Weight of Contacts (g)			
Tail 0.6	Tail 0.76		Variant 01		Variant 02	
			Male	Female	Male	Female
N/A	L7	Gauge 20 90° PCB solder contact equipped with 90° bracket and screwlocks 4-40 (18) Narrow Profile	0.22 (8)	0.27 (8)	-	-
			0.26 (9)	0.32 (9)	-	-
			0.3 (10)	0.35 (10)	-	-
N/A	L9	Gauge 20 90° PCB solder contact equipped with 90° bracket and screwlocks M3 (18) Narrow Profile	0.22 (8)	0.27 (8)	-	-
			0.26 (9)	0.32 (9)	-	-
			0.3 (10)	0.35 (10)	-	-
F179A		Gauge 20 wire-wrap contact for wire sizes AWG 26 to 30	0.28	0.34	-	-
-		Power and Coaxial contacts (19)	(20)	(20)	-	-
7N (21)		Power and Coaxial contacts (19) without signal contacts equipped with 90° bracket and screwlocks 4-40 (17)	(20)	(20)	-	-
9N (21)		Power and Coaxial contacts (19) without signal contacts equipped with 90° bracket and screwlocks M3 (17)	(20)	(20)	-	-

**NOTES:**

1. See Figure 2(b)
2. Weights without contacts or accessories
3. Total maximum weight may be calculated from:
  - connector weight.
  - contact weight for all contacts including brackets and nuts (as applicable) (see Table 1(a) Contact Types and/or the relevant Detail Specification).
  - Accessories weight given in ESCC Detail Specification Nos. [3401/022](#), [3401/072](#) and [3401/085](#) (if applicable).
4. See Figure 2(c)
5. Weight of contact for the external rows (all sizes).
6. Weight of contact for the middle rows except for the middle row of size F.
7. For size F only, weight of contact in the middle row.
8. Weight of contact in row nearest the connector mounting plane (Ref. Plane)
9. Weight of contact in row farthest from connector mounting plane (Ref. Plane), except for size D, where it is the middle row.
10. For size D only, weight of contact in row farthest from connector mounting plane (Ref. Plane).
11. Weight of contact in row nearest the connector mounting plane (Ref. Plane)
12. Weight of contact in row after the row specified in (11).
13. Weight of contact in row after the row specified in (12).
14. Weight of contact in row after the row specified in (13).
15. For size F only, weight of contact in row farthest from connector mounting plane (Ref. Plane).
16. A or B, as applicable.
17. Maximum Weight of brackets and nuts:
  - Shell sizes E, A, B, C : 3.1g (Var. 01), 3.95g (Var. 02)
  - Shell size D : 3.8g (Var. 01), 4.4g (Var. 02)
  - Shell size F : 5g (Var. 02)

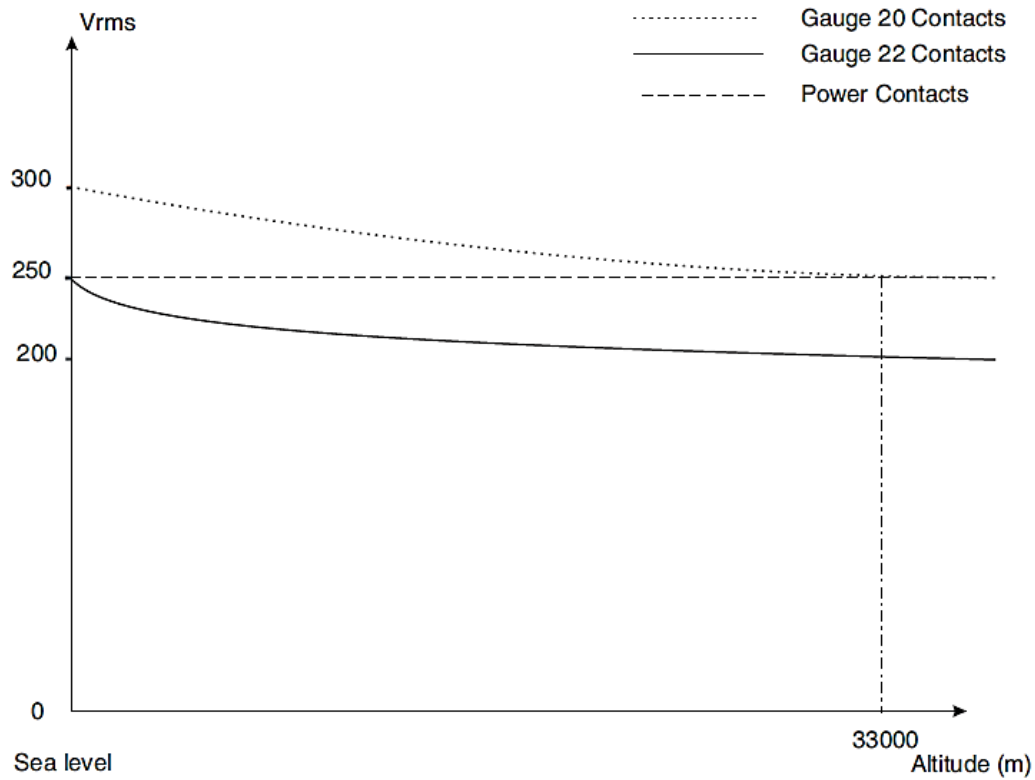
18. Maximum Weight of brackets and nuts:
  - Shell sizes E, A, B, C : 3g (Var. 01)
  - Shell size D : 3.6g (Var. 01)
19. Power and coaxial contacts shall be ordered separately in accordance with ESCC Detail Specification Nos. [3401/040](#) and [3401/004](#) respectively.
20. See ESCC Detail Specification Nos. [3401/004](#) and [3401/040](#) for coaxial and power contacts.
21. Applicable only for Power or Coaxial contact arrangements 3W3, 3WK3 (size A), 5W5 (size B), 8W8 (size C).
22. For mating of connectors that include a plug connector (with male contacts) with a dimpled shell (shell sizes E, A, B, C, D only) (see Figure 2(d) and Para. 4.5.2.2(i)), the maximum mating and unmating force shall be increased by 20N.

**TABLE 1(B) - MAXIMUM RATINGS**

No.	Characteristics	Symbol	Maximum Ratings	Unit	Remarks
1	Working Voltage Sea Level - Gauge 20 Contacts - Gauge 22 Contacts - Power Contacts - Coaxial Contacts	$U_R$	300 250 250 Note 2	Vrms	Note 1
2	Rated Current - Gauge 20 Contacts - Gauge 22 Contacts - Power Contacts - Coaxial Contacts	$I_R$	7.5 3 Note 3 Note 2	A	-
3	Operating Temperature Range	$T_{op}$	-55 to +125	°C	$T_{amb}$
4	Storage Temperature Range	$T_{stg}$	-65 to +125	°C	-
5	Soldering Temperature	$T_{sol}$	+260	°C	Note 4

**NOTES:**

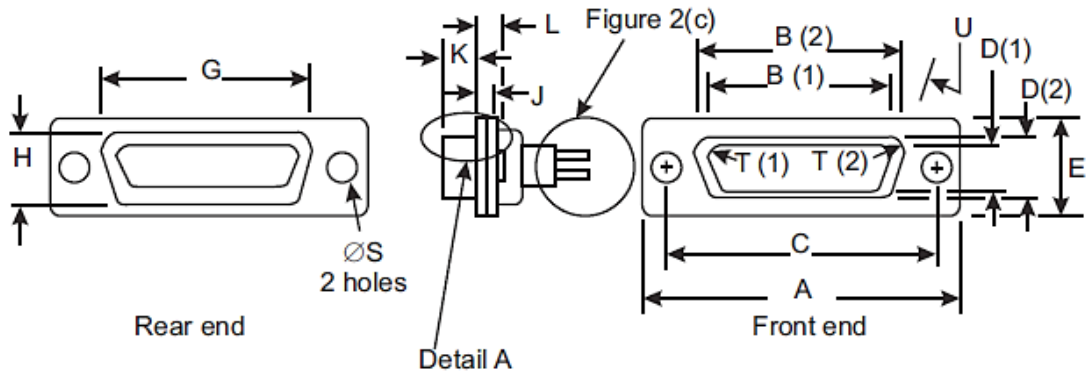
1. Between contact and shell.
2. See ESCC Detail Specification No. [3401/004](#) for coaxial contacts.
3. See ESCC Detail Specification No. [3401/040](#) for power contacts.
4. Duration 10 seconds maximum and the same contacts shall not be resoldered until 3 minutes have elapsed.

**FIGURE 1 - PARAMETER DERATING INFORMATION**Working Voltage versus Altitude

**FIGURE 2 - PHYSICAL DIMENSIONS**  
**FIGURE 2(a) - RECEPTACLES AND PLUGS**

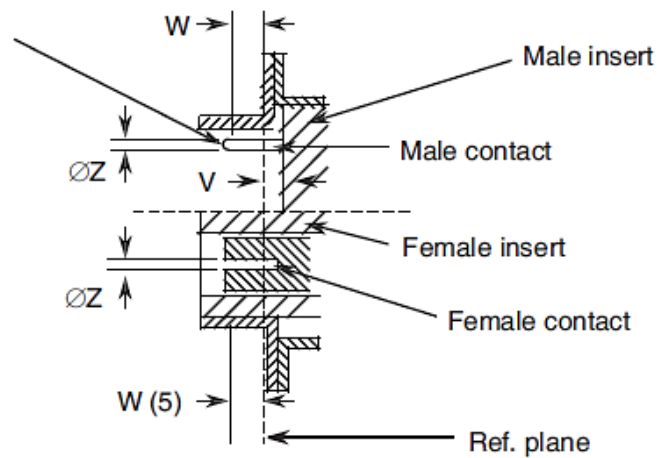
**SHELL SIZE E**

Standard Mounting Holes



**DETAIL A**

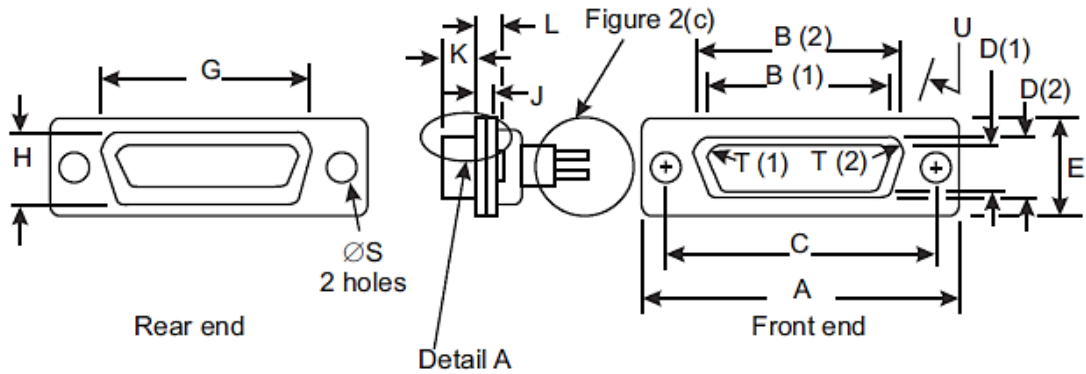
Spherical. A 0.3mm max. diameter flat is permitted



Connector Type	Contact Type	Symbol/Dim.	A	B	C	D	E	G	H	J	K	L	ØS	I	U	V	W	ØZ	
																		V.01	V.02
Plug	Male	min.	30.43	16.79	24.87	8.23	12.17	19.02	10.46	0.51	5.82	0.89	2.92	2.59	9	0	4.03	0.99	0.75
		max.	31.19	17.04	25.12	8.48	12.93	19.53	10.97	1.02	6.05	1.52	3.2	2.69	11	0.4	-	1.04	0.77
Receptacle	Female	min.	30.43	16.21	24.87	7.77	12.17	19.02	10.46	0.51	6.05	0.89	2.92	2.46	9	-	3.63	1.07	0.89
		max.	31.19	16.46	25.12	8.03	12.93	19.53	10.97	1.02	6.3	1.52	3.2	2.62	11	-	-	1.14	0.95

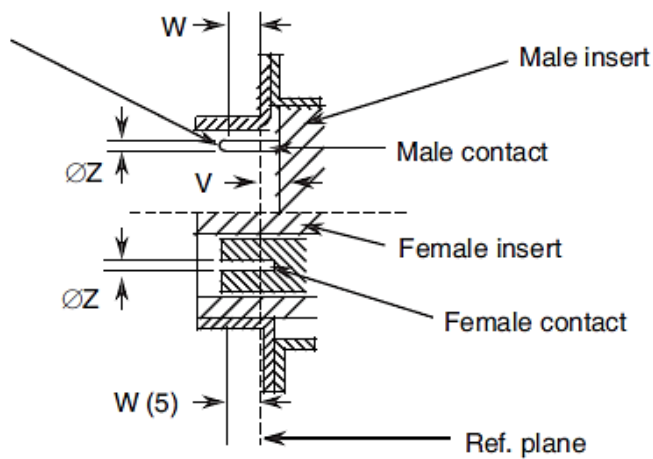
**SHELL SIZE A**

Standard Mounting Holes



**DETAIL A**

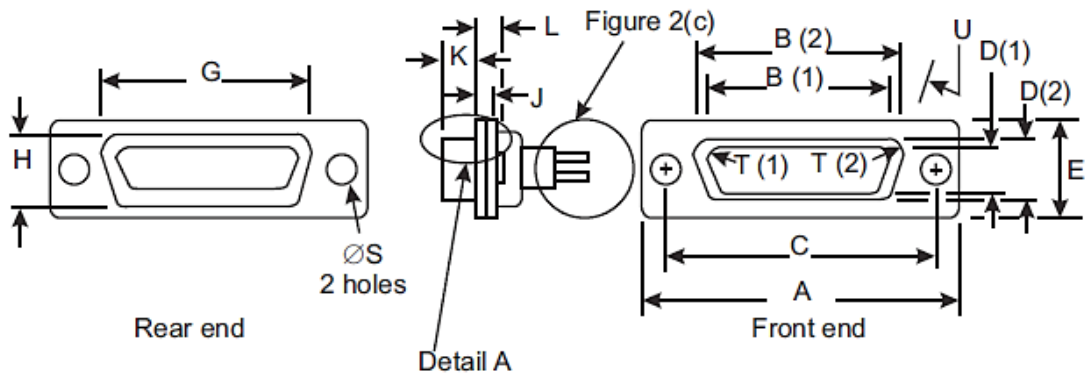
Spherical. A 0.3mm max. diameter flat is permitted



Connector Type	Contact Type	Symbol/ Dim.	A	B	C	D	E	G	H	J	K	L	ØS	I	U °	V	W	ØZ	
																		V.01	V.02
Plug	Male	min.	38.76	25.12	33.2	8.23	12.17	27.25	10.46	0.51	5.82	0.89	2.92	2.59	9	0	4.03	0.99	0.75
		max.	39.52	25.37	33.45	8.48	12.93	27.76	10.97	1.02	6.05	1.52	3.2	2.69	11	0.4	-	1.04	0.77
Receptacle	Female	min.	38.76	24.54	33.2	7.77	12.17	27.25	10.46	0.51	6.05	0.89	2.92	2.46	9	-	3.63	1.07	0.89
		max.	39.52	24.79	33.45	8.03	12.93	27.76	10.97	1.02	6.3	1.52	3.2	2.62	11	-	-	1.14	0.95

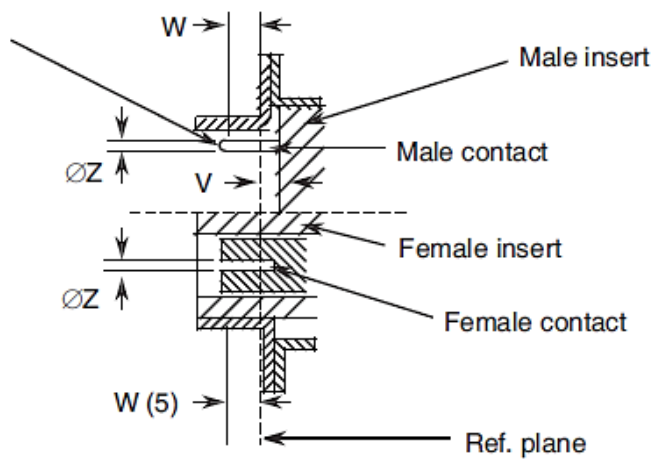
**SHELL SIZE B**

Standard Mounting Holes



**DETAIL A**

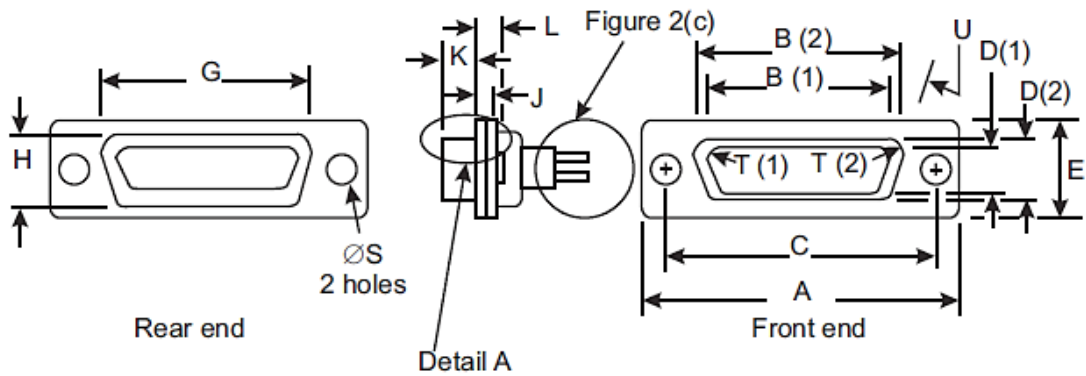
Spherical. A 0.3mm max. diameter flat is permitted



Connector Type	Contact Type	Symbol/ Dim.	A	B	C	D	E	G	H	J	K	L	ØS	I	U °	V	W	ØZ	
																		V.01	V.02
Plug	Male	min.	52.65	38.84	46.91	8.23	12.17	41.02	10.46	0.51	5.69	1.05	2.92	2.59	9	0	3.81	0.99	0.75
		max.	53.42	39.09	47.17	8.48	12.93	41.53	10.97	1.24	5.99	1.78	3.2	2.69	11	0.6	-	1.04	0.77
Receptacle	Female	min.	52.65	38.25	46.91	7.77	12.17	41.02	10.46	0.51	6.05	0.89	2.92	2.46	9	-	3.63	1.07	0.89
		max.	53.42	38.51	47.17	8.03	12.93	41.53	10.97	1.02	6.3	1.52	3.2	2.62	11	-	-	1.14	0.95

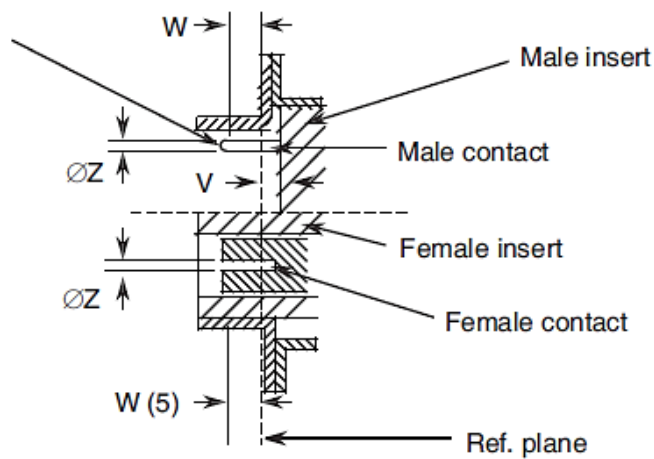
**SHELL SIZE C**

Standard Mounting Holes



**DETAIL A**

Spherical. A 0.3mm max. diameter flat is permitted

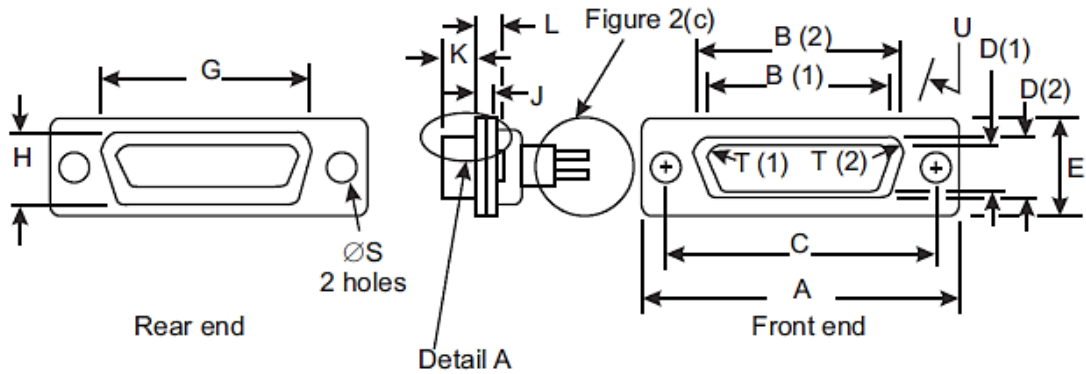


Connector Type	Contact Type	Symbol/ Dim.	A	B	C	D	E	G	H	J	K	L	$\varnothing S$	I	U	V	W	$\varnothing Z$	
																		V.01	V.02
Plug	Male	min.	68.94	55.3	63.37	8.23	12.17	57.45	10.46	0.51	5.69	1.05	2.92	2.59	9	0	3.81	0.99	0.75
		max.	69.7	55.55	63.63	8.48	12.93	57.96	10.97	1.24	5.99	1.78	3.2	2.69	11	0.6	-	1.04	0.77
Receptacle	Female	min.	68.94	54.71	63.37	7.77	12.17	57.45	10.46	0.51	6.05	0.89	2.92	2.46	9	-	3.63	1.07	0.89
		max.	69.7	54.97	63.63	8.03	12.93	57.96	10.97	1.02	6.3	1.52	3.2	2.62	11	-	-	1.14	0.95



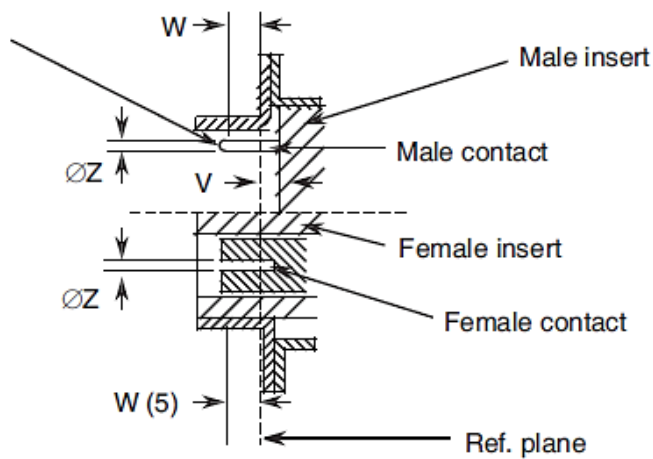
**SHELL SIZE D**

Standard Mounting Holes



**DETAIL A**

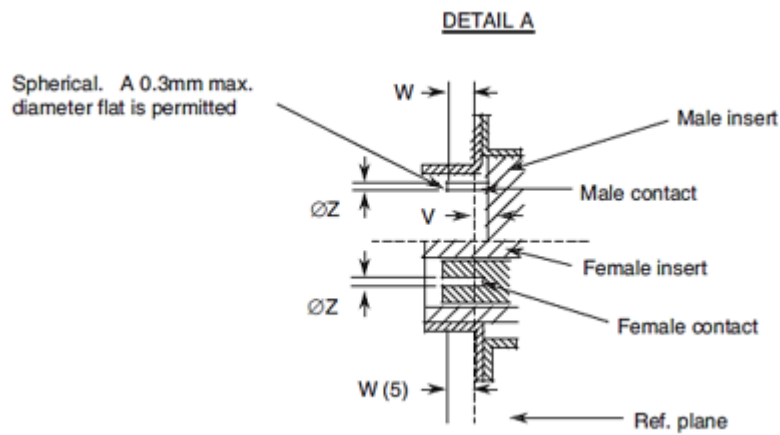
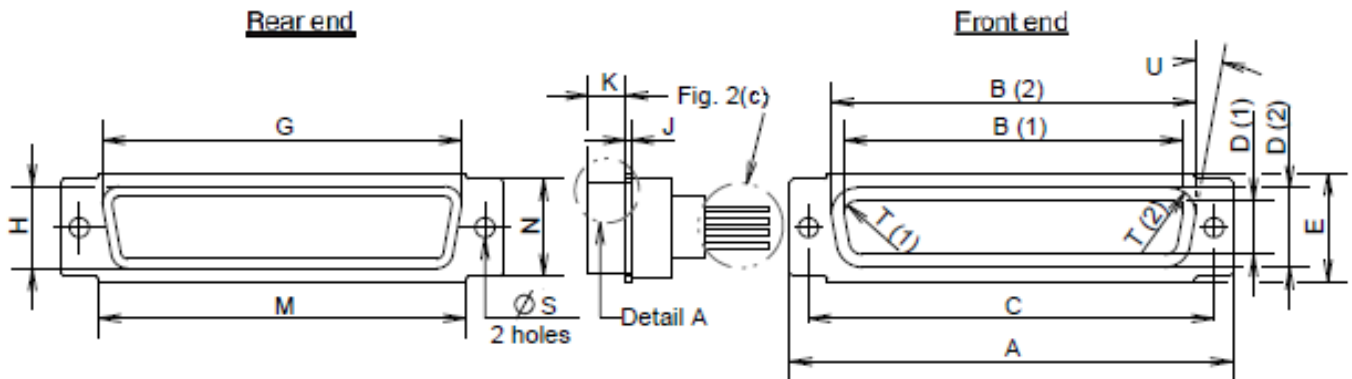
Spherical. A 0.3mm max. diameter flat is permitted



Connector Type	Contact Type	Symbol/ Dim.	A	B	C	D	E	G	H	J	L	K	ØS	I	U	V	W	ØZ	
																		V.01	V.02
Plug	Male	min.	66.55	52.68	60.99	11.07	14.99	55.07	13.31	0.51	1.05	5.69	2.92	2.59	9	0	3.81	0.99	0.75
		max.	67.31	52.93	61.24	11.33	15.75	55.58	13.82	1.24	1.78	5.99	3.2	2.69	11	0.6	-	1.04	0.77
Receptacle	Female	min.	66.55	52.3	60.99	10.62	14.99	55.07	13.31	0.51	0.89	6.05	2.92	2.46	9	-	3.63	1.07	0.89
		max.	67.31	52.55	61.24	10.87	15.75	55.58	13.82	1.02	1.52	6.3	3.2	2.62	11	-	-	1.14	0.95

**SHELL SIZE F**

Standard Mounting Holes

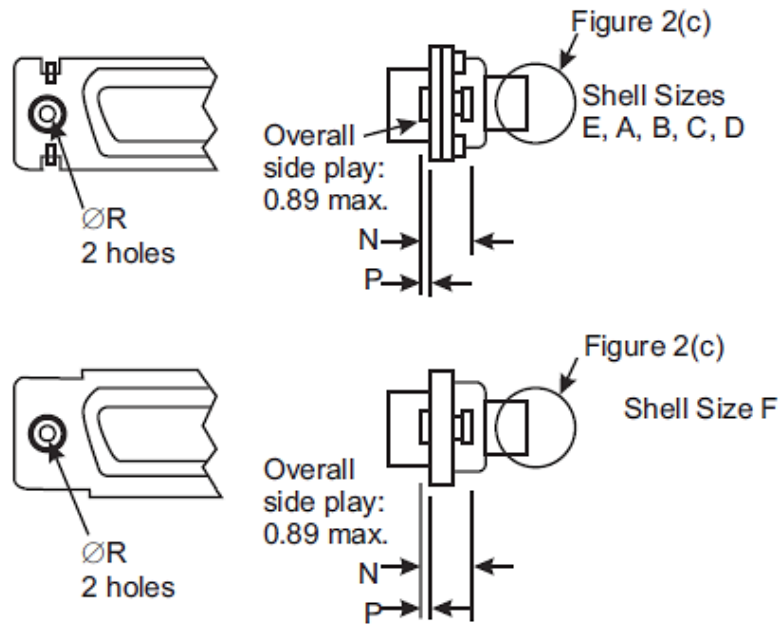


Connector Type	Contact Type	Symbol/Dim.	A	B	C	D	E	G	H	J	K	M	N	ØS	I	U	V	W	ØZ
Plug	Male	min.	68.94	56.06	63.37	12.65	16.92	58.75	15.45	0.74	5.69	57.25	15	2.92	2.59	9	0	3.81	0.75
		max.	69.7	56.31	63.63	12.9	17.68	59.25	15.95	1.24	5.99	57.75	15.5	3.2	2.69	11	0.6	-	0.77
Receptacle	Female	min.	68.94	55.47	63.37	12.19	16.92	58.75	15.45	0.51	6.05	57.25	15	2.92	2.46	9	-	3.63	0.89
		max.	69.7	55.73	63.63	12.45	17.68	59.25	15.95	1.02	6.3	57.75	15.5	3.2	2.62	11	-	-	0.95

**OTHER MOUNTING TYPES**

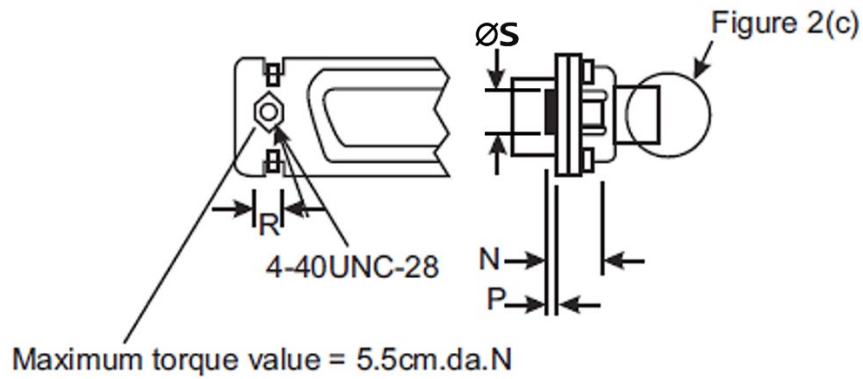
**FLOATING MOUNT - TYPE Y**

**SHELL SIZES E, A, B, C, D AND F**



Contact Type	Symbol/Dim.	N	P	$\varnothing R$
Male and Female	min.	2.4	0.76	2.2
	max.	3.3	0.86	2.3

CAPTIVE NUT - TYPE E  
SHELL SIZES E, A, B, C, D AND F



Contact Type	Symbol/Dim.	N	P	R	ØS
Male and Female	min.	3.4	0	4.3	-
	max.	4.2	0.5	4.7	5.2

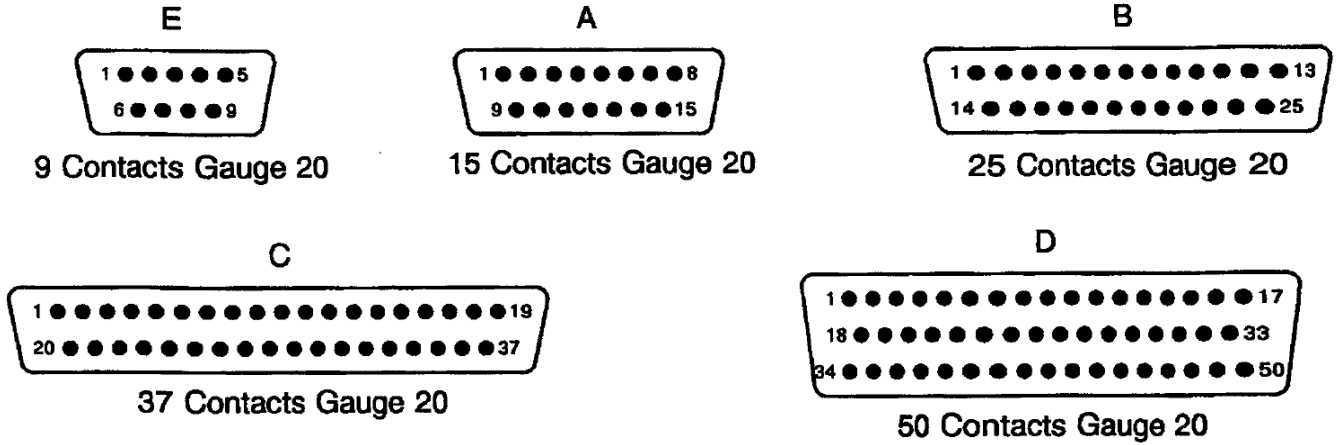
**NOTES:**

1. Inside dimension for connectors with male contacts.
2. Outside dimension for connectors with female contacts.
3. All dimensions are in mm (angles in degrees).
4. Underlined dimensions, in table, are critical to ensure intermateability.
5. Electrical contact position in female contact.

FIGURE 2(b) - CONTACT ARRANGEMENTS

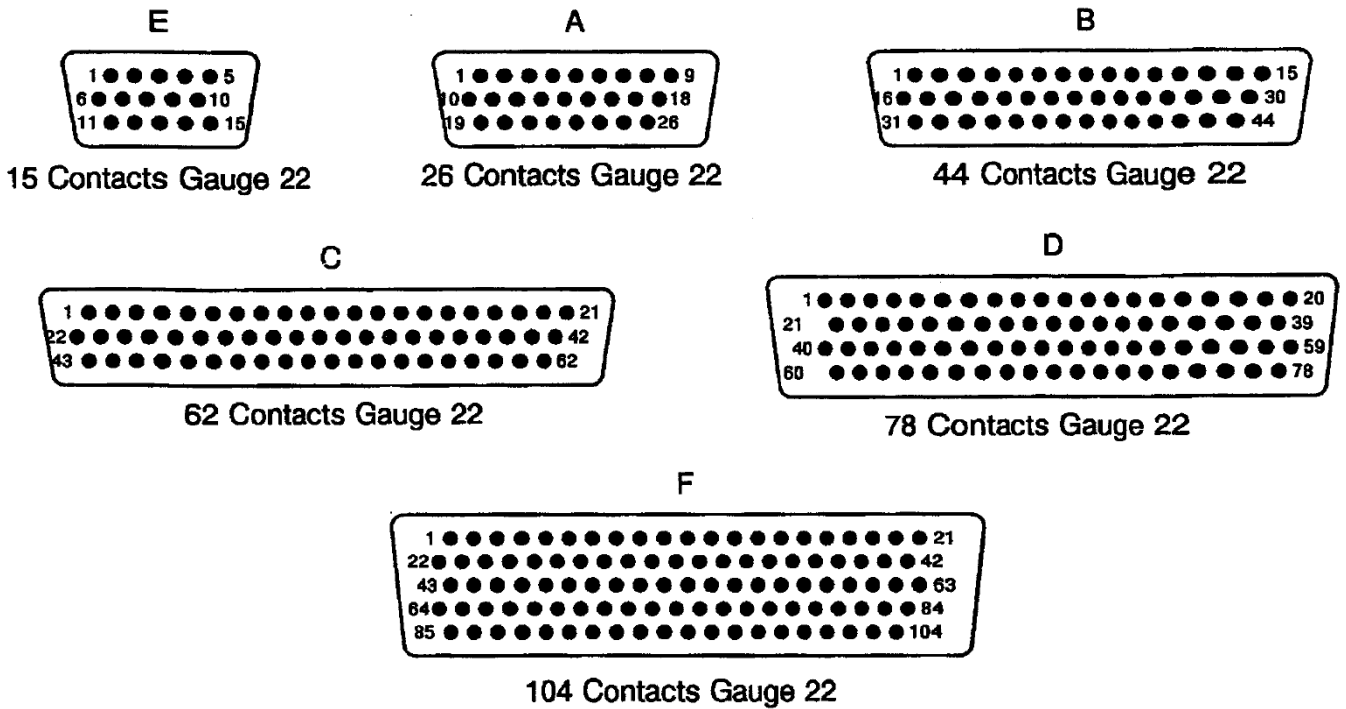
VARIANT 01 – STANDARD CONTACT ARRANGEMENTS

FRONT VIEW MALE INSERT

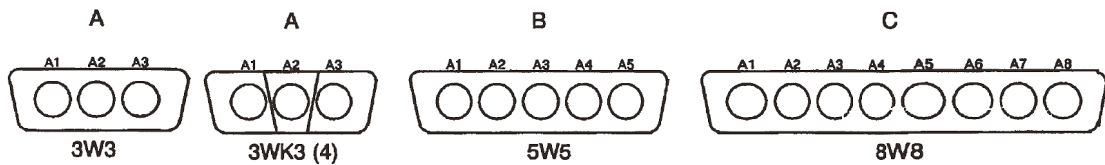


VARIANT 02 – HIGH DENSITY CONTACT ARRANGEMENTS

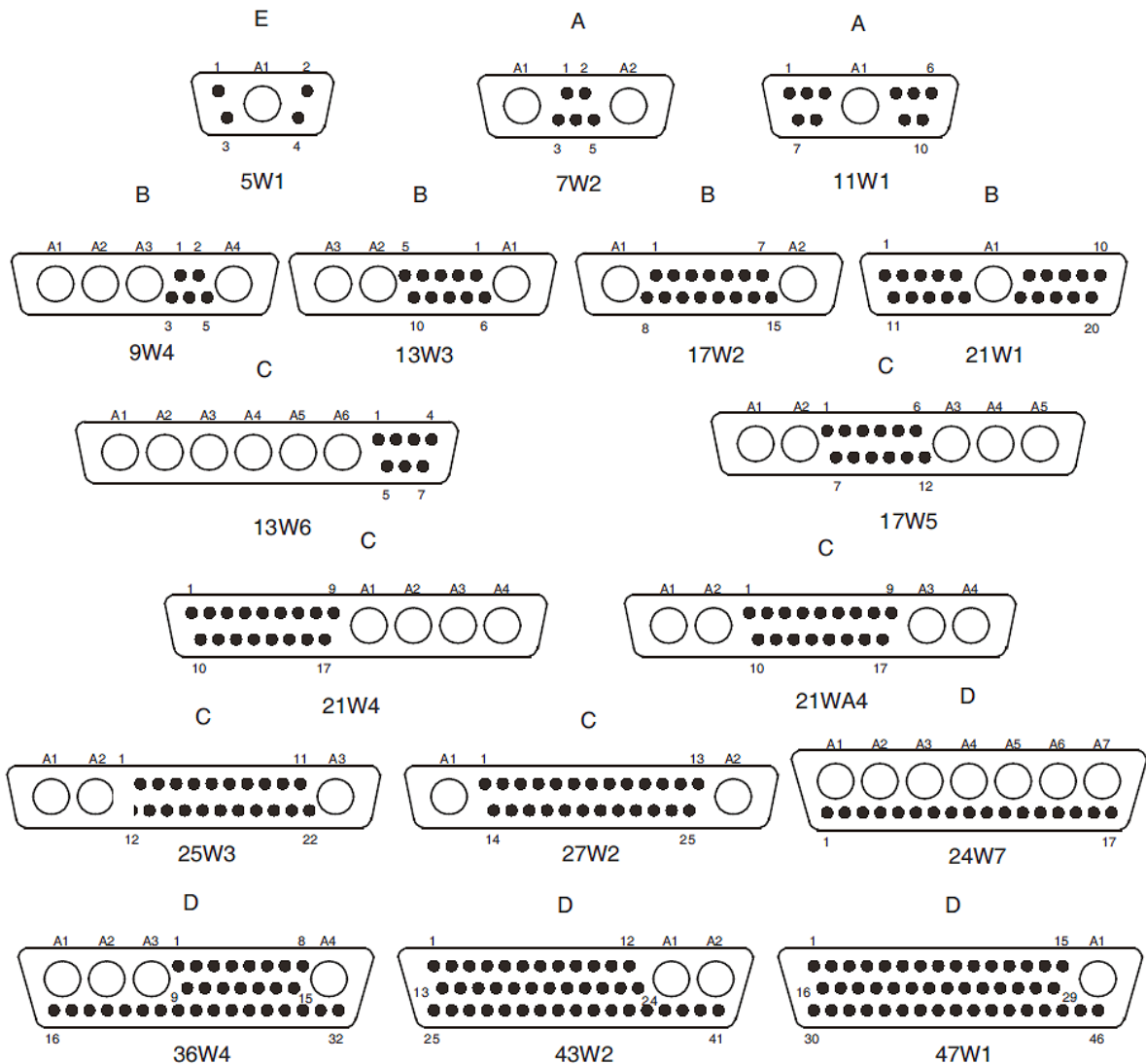
FRONT VIEW MALE INSERT



POWER AND COAXIAL CONTACT ARRANGEMENTS (VARIANT 01)



MIXED CONTACT ARRANGEMENTS FOR VARIANT 01 ONLY

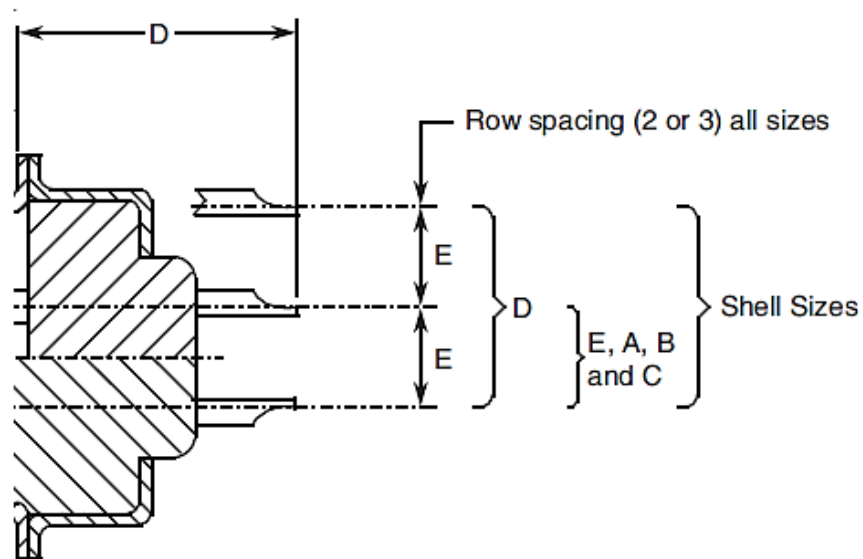


**NOTES:**

- Contact locations are in conformity with [MIL-DTL-24308](#) specification sheets for standard signal contact arrangements and NASA/GSFC Specification S-311-P-10 for coaxial, power and mixed contact arrangements, and shall not be checked during procurement.
- Both sides of the insert shall be marked with the minimum marking shown. Contact numbers are shown outside the inserts for readability.
- See Para. 4.5 for definition of letters and numbers.
- 3WK3 insulator with built-in keying (middle part recessed or protruding with respect to each side), to avoid mismounting (K = keyed).

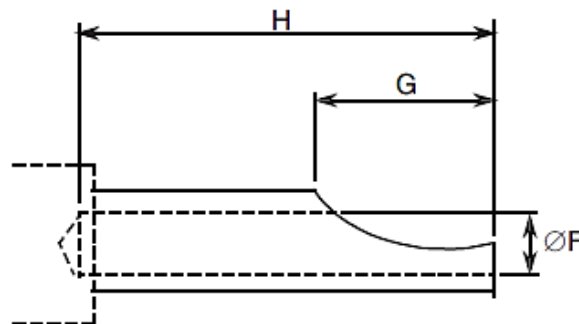
FIGURE 2(c) - REAR END

**GAUGE 20 SOLDER BUCKET CONTACTS (CODE -)**



**Pitch between contacts**

Connector shell sizes E and A: 2.74.  
 Connector shell sizes B, C and D: 2.76.

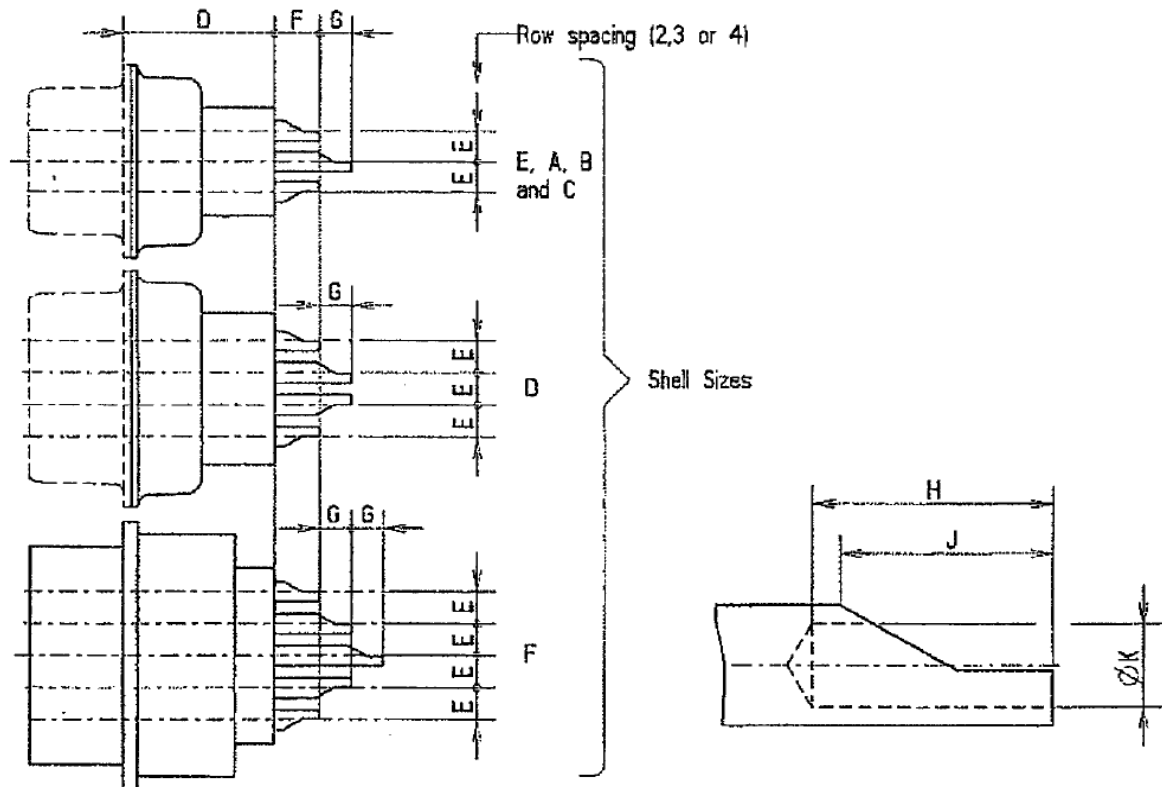


Symbol/Dim.	D		E (5)	ØF	G	H
	(2) (3)	(4)				
min.	-	-	2.77	1.1	1.4	2.4
max.	10.71	10.91	2.91	1.15	2.5	-

**NOTES:**

1. All dimensions are in mm.
2. Connectors equipped with female contacts all sizes.
3. Connectors equipped with male contacts sizes E, A.
4. Connectors equipped with male contacts sizes B, C, D.
5. Typical = 2.84.

**GAUGE 22 SOLDER BUCKET CONTACTS (CODE -)**



Pitch between contacts

Connector shell sizes E, A and B: 229

Connector shell sizes C, D and F: 241

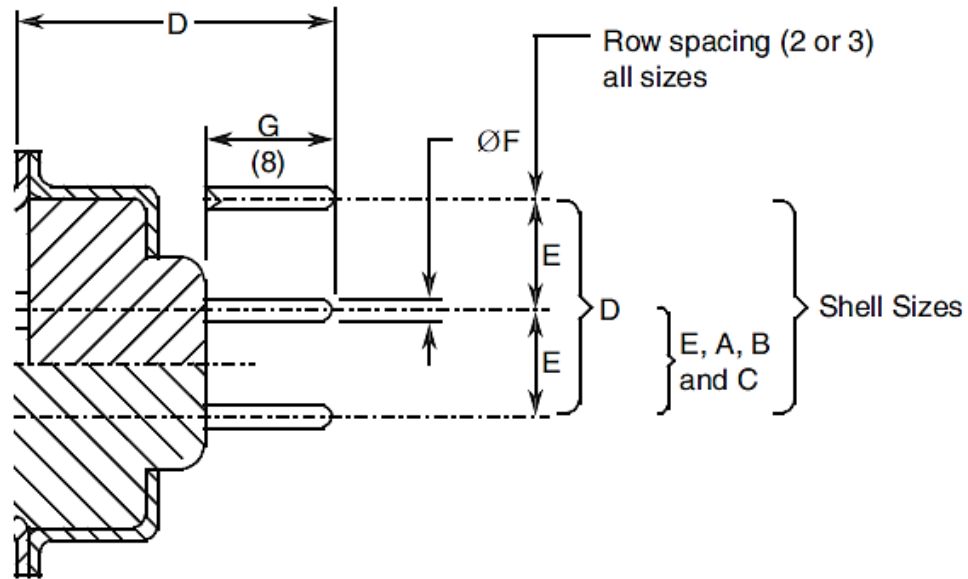
Symbol/Dim.	D		E		F	G	H	J	ØK
	(2) (3)	(4)	Sizes E, A, B, C (5)	Sizes D, F (6)					
min.	-	-	1.91	2.01	2.5	1.9	2.4	1.4	0.87
max.	11.21	11.41	2.05	2.15	3.1	2.1	-	2.5	0.93

**NOTES:**

1. All dimensions are in mm.
2. Connectors equipped with female contacts all sizes.
3. Connectors equipped with male contacts sizes E, A.
4. Connectors equipped with male contacts sizes B, C, D, F.
5. Typical = 1.98.
6. Typical = 2.08.



**GAUGE 20 STRAIGHT PCB SOLDER CONTACTS (CODES OL3, Z)**



**Pitch between contacts**

Connector shell sizes E and A: 2.74.

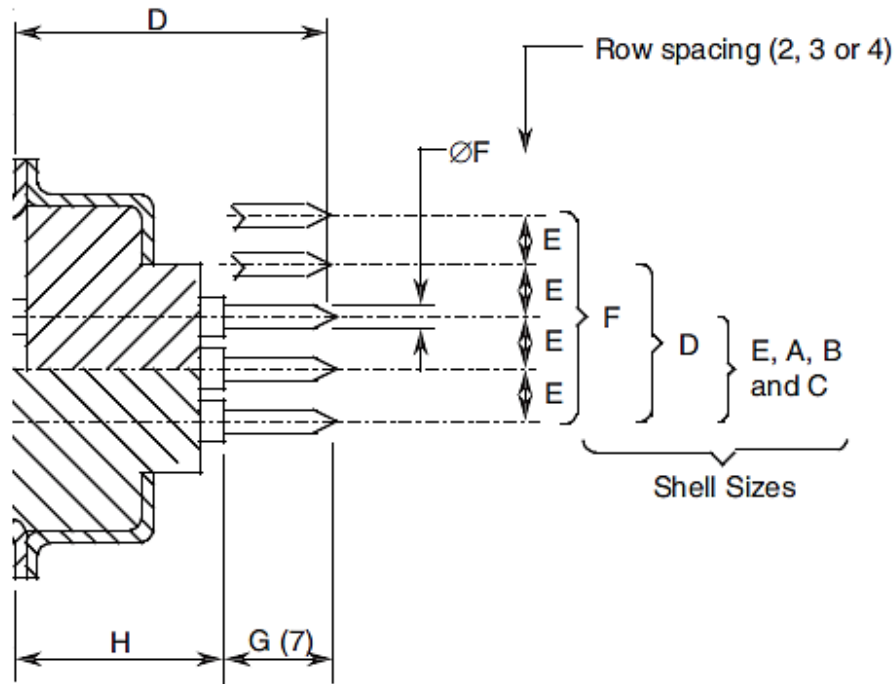
Connector shell sizes B, C and D: 2.76.

Symbol/Dim.	D		E (5)	ØF		G (8)
	(2) (3)	(4)		CODE OL3 (6)	CODE Z (7)	
min.	9.7	9.9	2.77	0.5	0.69	3.1
max.	11.5	11.7	2.91	0.65	0.84	5.3

**NOTES:**

1. All dimensions are in mm.
2. Connectors equipped with female contacts all sizes.
3. Connectors equipped with male contacts sizes E, A.
4. Connectors equipped with male contacts sizes B, C, D.
5. Typical = 2.84.
6. Typical = 0.6.
7. Typical = 0.76.
8. Dimension G is the length of the PCB tail extension of the contact.

**GAUGE 22 STRAIGHT PCB SOLDER CONTACTS (CODE OL3)**



**Pitch between contacts**

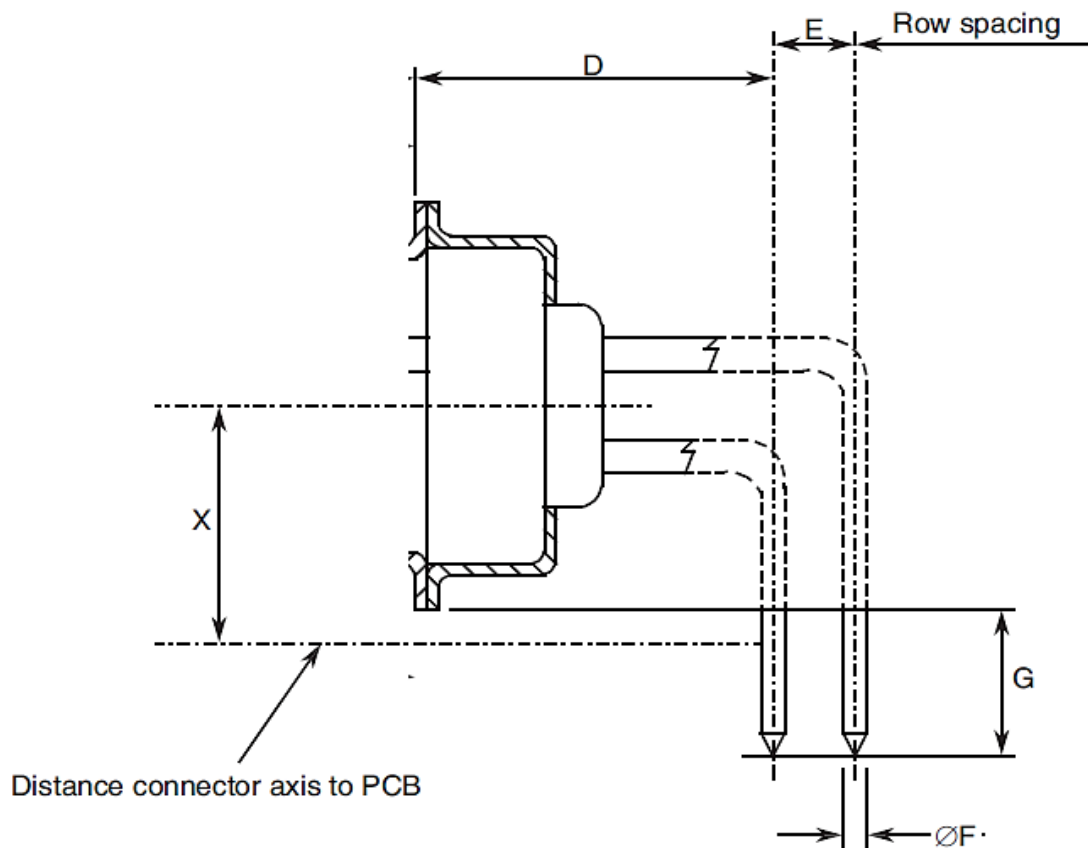
Connector shell sizes E, A and B: 2.29.  
 Connector shell sizes C, D and F: 2.41.

Symbol/Dim.	D			E		ØF	G (7)	H		
	(2)	(3)	(4)	Sizes E, A, B, C (5)	Sizes D, F (6)			(2)	(3)	(4)
min.	-	-	-	1.91	2.01	0.5	4.6	-	-	-
max.	16.17	16.01	16.21	2.05	2.15	0.65	4.8	11.37	11.21	11.41

**NOTES:**

1. All dimensions are in mm.
2. Connectors equipped with female contacts all sizes.
3. Connectors equipped with male contacts sizes E, A.
4. Connectors equipped with male contacts sizes B, C, D, F.
5. Typical = 1.98.
6. Typical = 2.08.
7. Dimension G is the length of the PCB tail extension of the contact.

**GAUGE 20 90° PCB SOLDER CONTACTS (SIZES E, A, B, C) (CODES 1A0N, 1B0N, 2A0N, 2B0N)**



Pitch between contacts

Connector shell sizes E and A: 2.74.

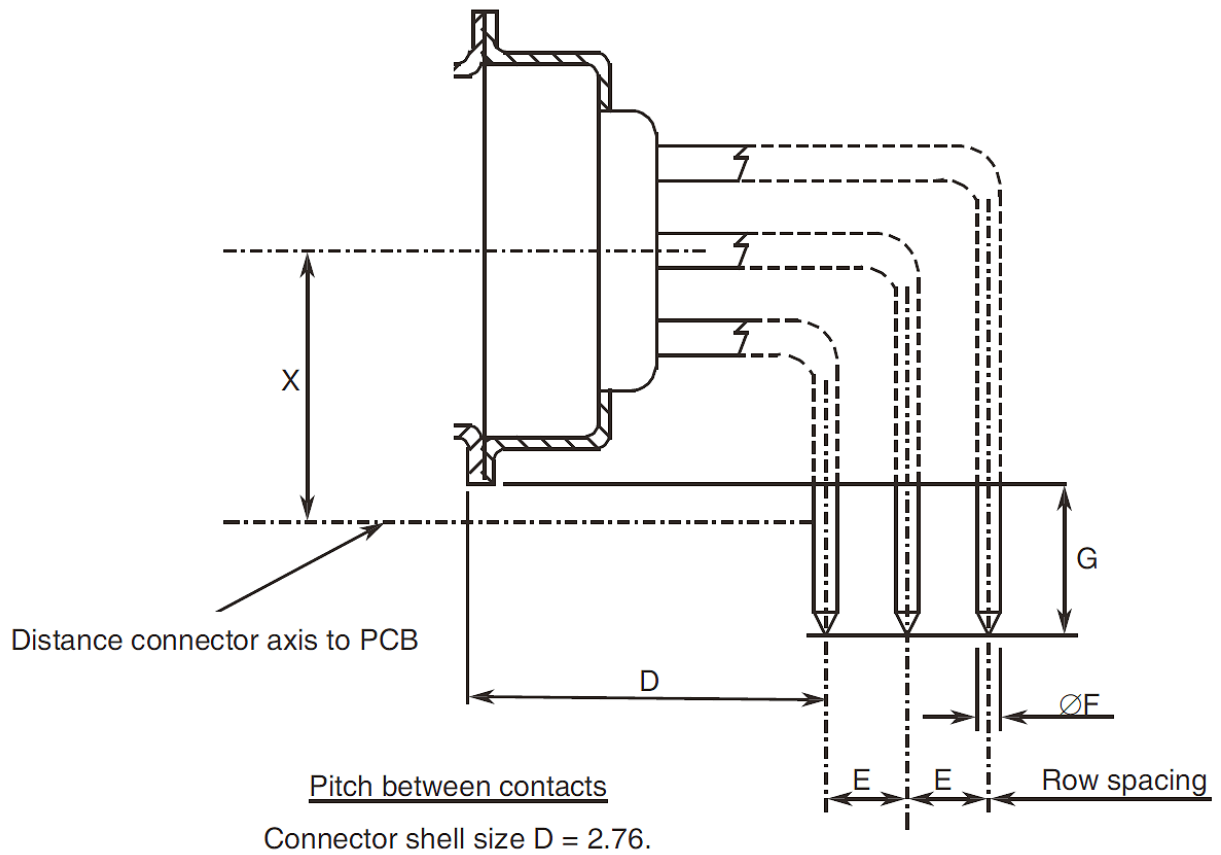
Connector shell sizes B and C: 2.76.

Symbol/Dim.	D		E		ØF		G	X (9)
	(2) (3)	(4)	(*)A0N (5)	(*)B0N (6)	1A0N 1B0N (7)	2A0N 2B0N (8)		
min.	10.1	10.3	2.49	2.79	0.5	0.69	4.7	7.2
max.	10.3	10.5	2.59	2.89	0.65	0.84	5.3	7.5

**NOTES:**

1. All dimensions are in mm.
2. Connectors equipped with female contacts all sizes.
3. Connectors equipped with male contacts sizes E, A.
4. Connectors equipped with male contacts sizes B, C.
5. Typical = 2.54.
6. Typical = 2.84.
7. Typical = 0.6.
8. Typical = 0.76.
9. Typical = 7.35.

**GAUGE 20 90° PCB SOLDER CONTACTS (SIZE D) (CODES 1A0N, 1B0N, 2A0N, 2B0N)**

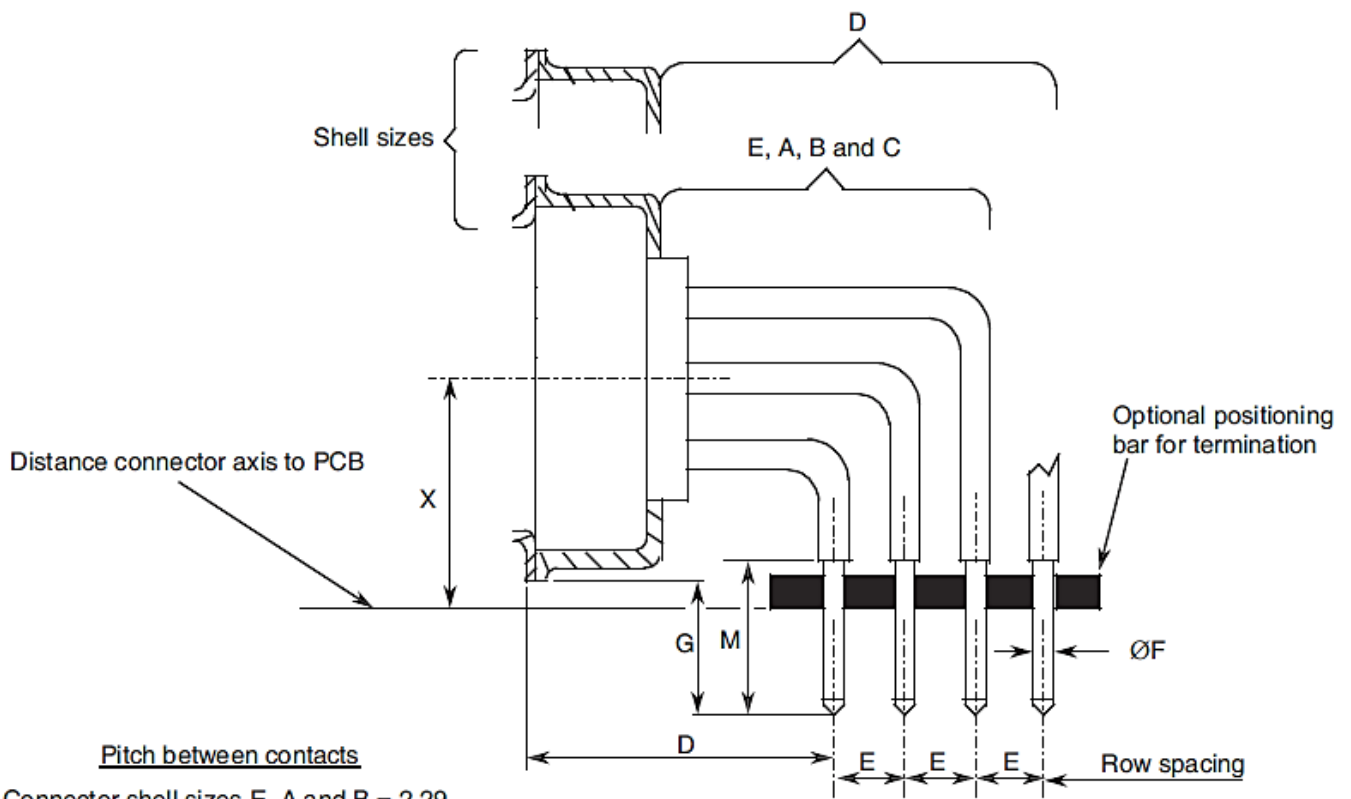


Symbol/Dim.	<u>D</u>		E		<u>ØF</u>		<u>G</u>	X (8)
	(2)	(3)	(*)A0N (4)	(*)B0N (5)	1A0N 1B0N (6)	2A0N 2B0N (7)		
min.	10.1	10.3	2.49	2.79	0.5	0.69	4.7	8.6
max.	10.3	10.5	2.59	2.89	0.65	0.84	5.3	8.8

**NOTES:**

1. All dimensions are in mm.
2. Connectors equipped with female contacts.
3. Connectors equipped with male contacts.
4. Typical = 2.54.
5. Typical = 2.84.
6. Typical = 0.6.
7. Typical = 0.76.
8. Typical = 8.7.

**GAUGE 22 90° PCB SOLDER CONTACTS (FOR SIZES E, A, B, C CODE 1C0N;  
SIZE D CODE 1D0N)**



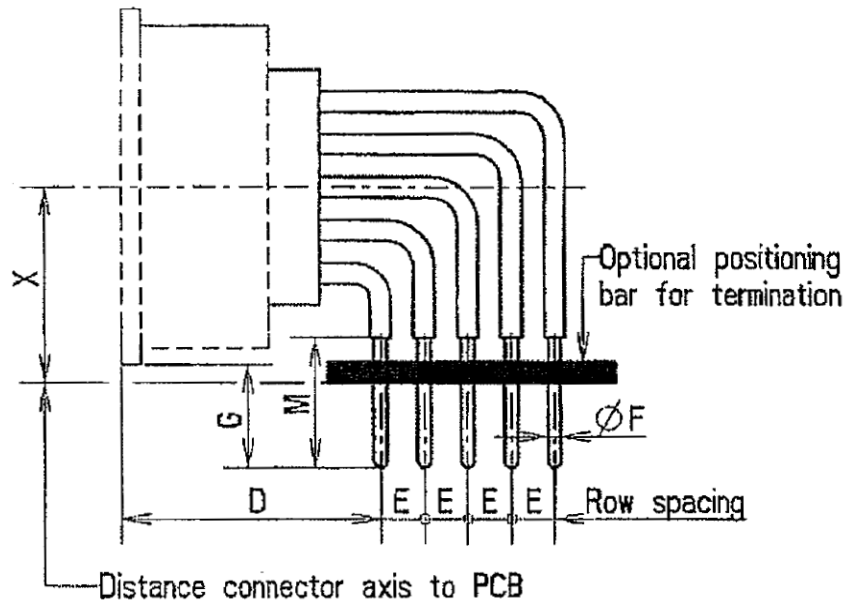
Connector shell sizes E, A and B = 2.29.  
Connector shell sizes C and D = 2.41.

Code	Symbol/Dim.	<u>D</u>		<u>E</u>		<u>ØF</u>	<u>G</u>	<u>M</u>	<u>X</u> (7) (8)
		(2) (3)	(4)	1C0N (5)	1D0N (6)				
1C0N	min.	11.98	12.18	1.93	-	0.5	4.7	5.3	7.2
	max.	12.48	12.68	2.03	-	0.65	5.7	-	7.5
1D0N	min.	11.98	12.18	-	2.03	0.5	4.7	5.3	8.6
	max.	12.48	12.68	-	2.13	0.65	5.7	-	8.8

**NOTES:**

1. All dimensions are in mm.
2. Connectors equipped with female contacts all sizes.
3. Connectors equipped with male contacts sizes E, A.
4. Connectors equipped with male contacts sizes B, C, D.
5. Typical = 1.98.
6. Typical = 2.08
7. For sizes E, A, B, C, Typical = 7.35.
8. For size D, Typical = 8.7.

**GAUGE 22 90° PCB SOLDER CONTACTS (SIZE F CODE 1D0N)**



Pitch between contacts

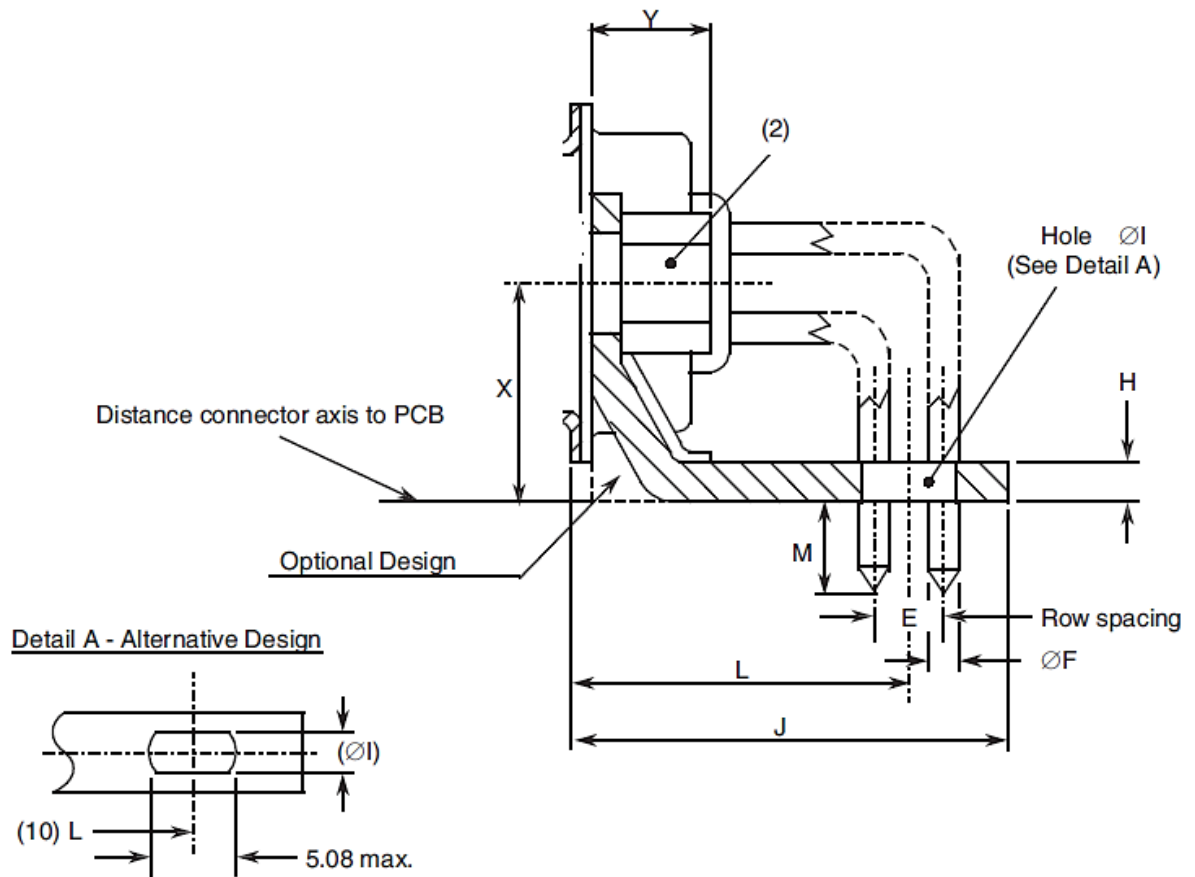
Connector shell size F = 2.41

Symbol/Dim.	<u>D</u>	E (2)	ØF	G	M	X (3)
min.	12.18	2.03	0.5	4.7	5.3	8.6
max.	12.68	2.13	0.65	5.7	-	8.8

**NOTES:**

1. All dimensions are in mm.
2. Typical = 2.08.
3. Typical = 8.7.

**GAUGE 20 90° PCB SOLDER CONTACTS WITH 90° BRACKET AND SCREW LOCKS**  
**(SIZES E, A, B, C) (CODES 1A7N, 1A9N, 1B7N, 1B9N, 2A7N, 2A9N, 2B7N, 2B9N)**

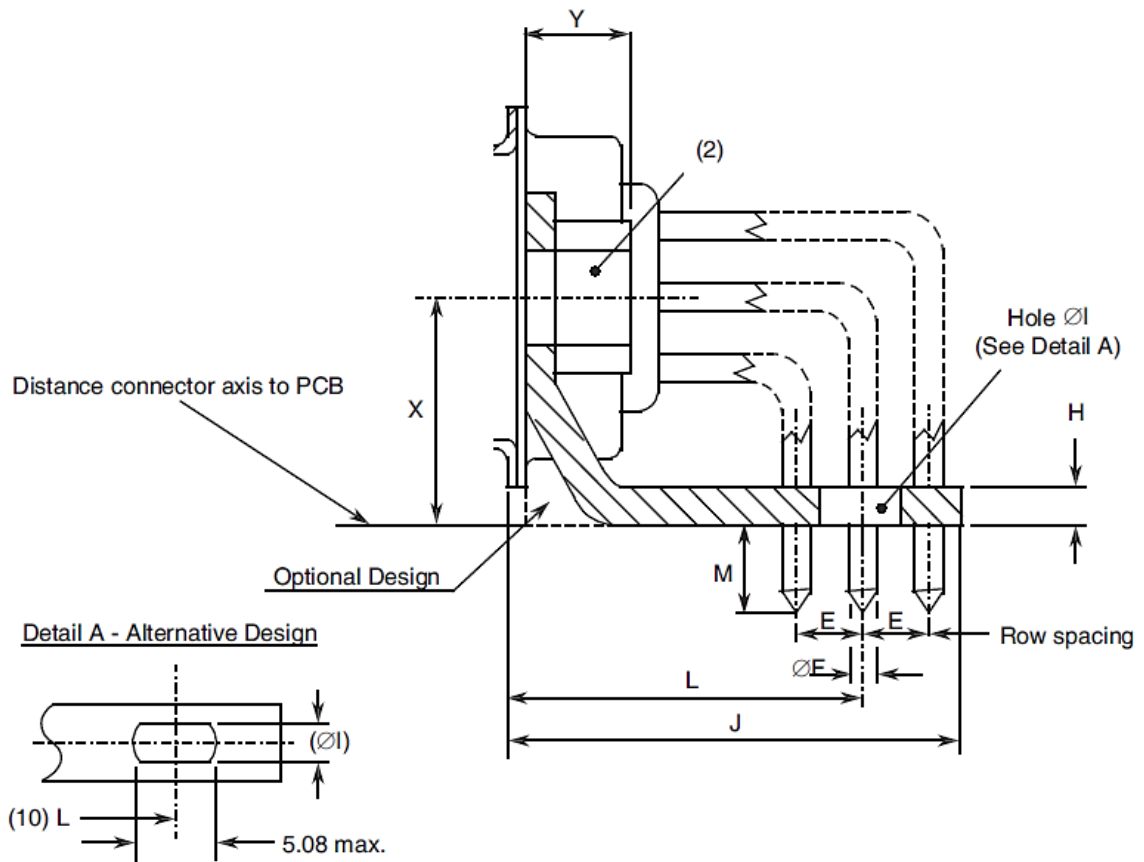


Symbol/ Dim.	E		ØF		H	ØI	J		L				M	X (9)	Y
	(*)A7N	(*)B7N	1(*)7N	2(*)7N			(7)	(8)	(7)		(8)				
	(*)A9N	(*)B9N	1(*)9N	2(*)9N					(*)A7N	(*)B7N	(*)A7N	(*)B7N			
	(3)	(4)	(5)	(6)					(*)A9N	(*)B9N	(*)A9N	(*)B9N			
min.	2.49	2.79	0.5	0.69	1	3.12	-	-	11.37	11.52	11.57	11.72	3.6	7.2	-
max.	2.59	2.89	0.65	0.84	3.2	3.32	15.6	15.8	11.57	11.72	11.77	11.92	4.4	7.5	7

**NOTES:**

- All dimensions are in mm.
- Codes (\*)A7N, (\*)B7N: Nut 4-40.  
Codes (\*)A9N, (\*)B9N: Nut M3.
- Typical = 2.54.
- Typical = 2.84.
- Typical = 0.6.
- Typical = 0.76.
- Connectors equipped with female contacts all sizes and connectors equipped with male contacts sizes E, A.
- Connectors equipped with male contacts sizes B, C.
- Typical = 7.35.
- This alternative design takes into account the different possible values of L.

**GAUGE 20 90° PCB SOLDER CONTACTS WITH 90° BRACKET AND SCREW LOCKS (SIZE D)**  
**(CODES 1A7N, 1A9N, 1B7N, 1B9N, 2A7N, 2A9N, 2B7N, 2B9N)**



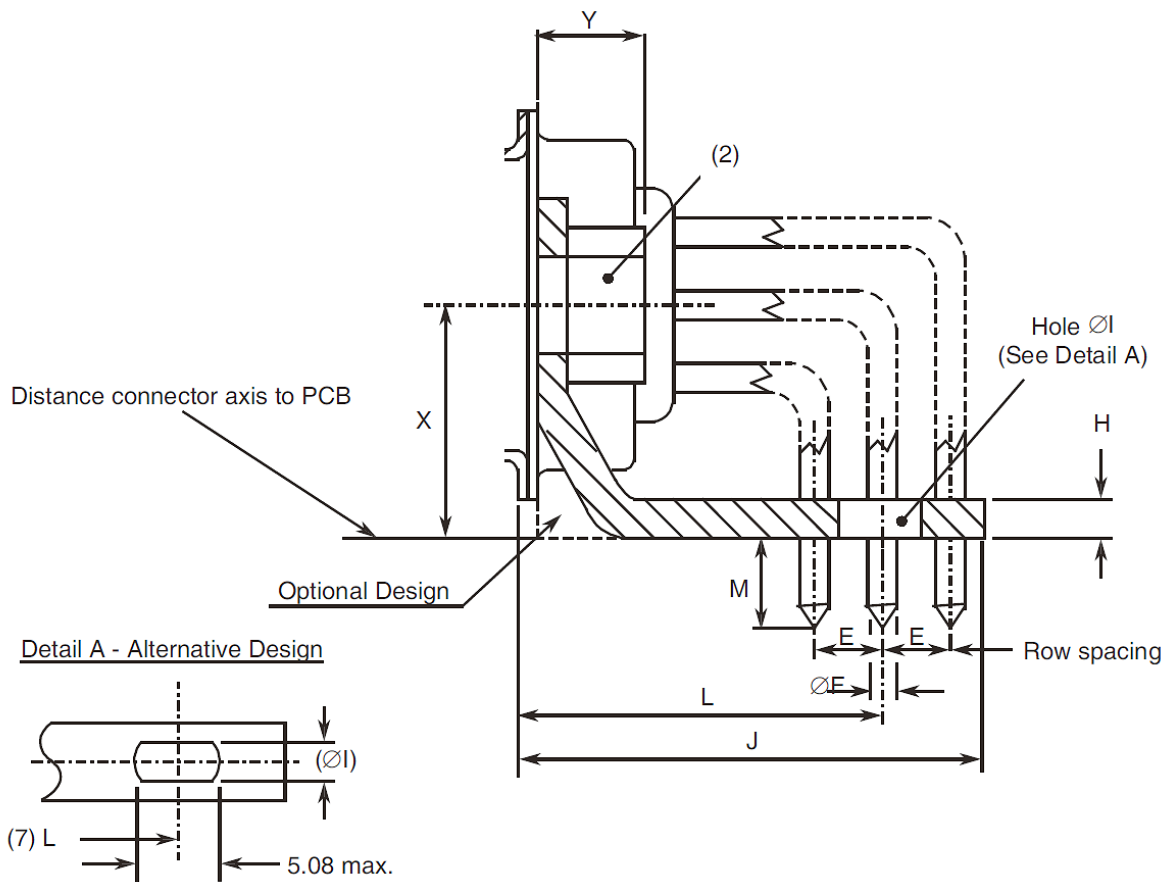
Symbol/ Dim.	E		ØF		H	ØI	J		L				M	X (9)	Y
	(*)A7N	(*)B7N	1(*)7N	2(*)7N			(7)	(8)	(7)		(8)				
	(*)A9N	(*)B9N	1(*)9N	2(*)9N					(*)A7N	(*)B7N	(*)A7N	(*)B7N			
	(3)	(4)	(5)	(6)					(*)A9N	(*)B9N	(*)A9N	(*)B9N			
min.	2.49	2.79	0.5	0.69	1	3.12	-	-	12.64	12.94	12.84	13.14	3.6	8.6	-
max.	2.59	2.89	0.65	0.84	3.2	3.32	17.5	17.7	12.84	13.14	13.04	13.34	4.4	8.8	7

**NOTES:**

1. All dimensions are in mm.
2. Codes (\*)A7N, (\*)B7N: Nut 4-40.  
Codes (\*)A9N, (\*)B9N: Nut M3.
3. Typical = 2.54.
4. Typical = 2.84.
5. Typical = 0.6.
6. Typical = 0.76.
7. Connectors equipped with female contacts.
8. Connectors equipped with male contacts.
9. Typical = 8.7.
10. This alternative design takes into account the different possible values of L.



**GAUGE 22 90° PCB SOLDER CONTACTS WITH 90° BRACKET AND SCREW LOCKS**  
**(SIZES E, A, B, C) (CODES 1C7N, 1C9N)**

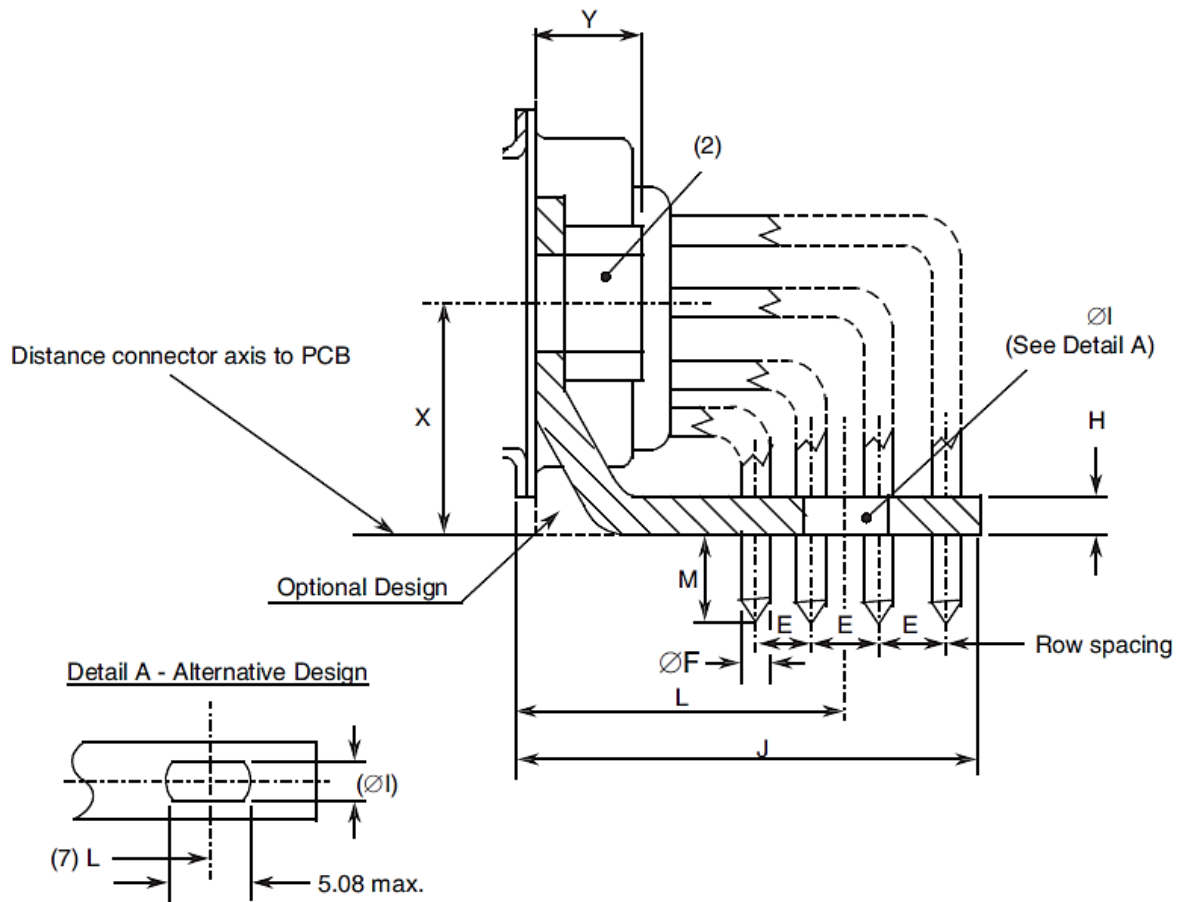


Symbol/ Dim.	E (3)	ØF	ØI	H	J		L		M	X (6)	Y
					(4)	(5)	1C7N 1C9N (4)	1C7N 1C9N (5)			
min.	1.93	0.5	3.12	1	-	-	14.11	14.31	3.6	7.2	-
max.	2.03	0.65	3.32	3.2	18.3	18.5	14.31	14.51	4.8	7.5	7

**NOTES:**

- All dimensions are in mm.
- Code 1C7N: Nut 4-40.  
Code 1C9N: Nut M3.
- Typical = 1.98.
- Connectors equipped with female contacts all sizes and connectors equipped with male contacts sizes E, A.
- Connectors equipped with male contacts sizes B, C.
- Typical = 7.35.
- This alternative design takes into account the different possible values of L.

**GAUGE 22 90° PCB SOLDER CONTACTS WITH 90° BRACKET AND SCREW LOCKS (SIZE D)**  
**(CODES 1D7N, 1D9N)**

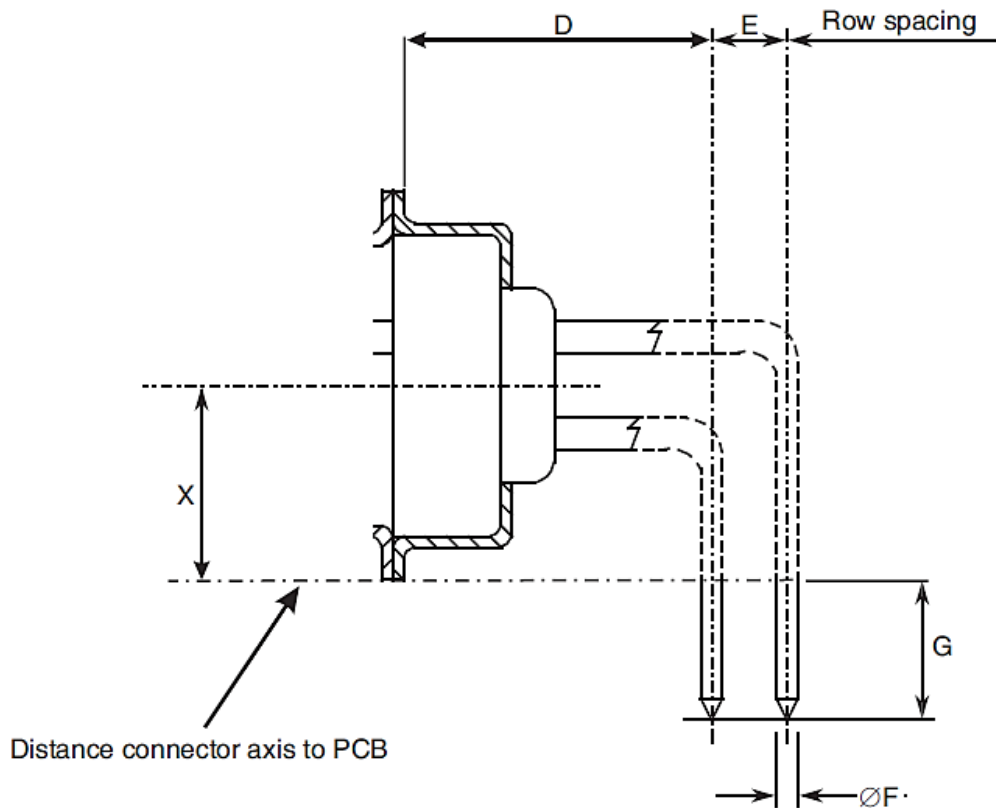


Symbol/ Dim.	E (3)	ØF	ØI	H	J		L		M	X (6)	Y
					(4)	(5)	1C7N 1C9N	1C7N 1C9N			
min.	2.03	0.5	3.12	1	-	-	15.25	15.45	3.6	8.6	-
max.	2.13	0.65	3.32	3.2	20.5	20.7	15.45	15.65	4.8	8.8	7

**NOTES:**

1. All dimensions are in mm.
2. Code 1D7N: Nut 4-40.  
Code 1D9N: Nut M3.
3. Typical = 2.08.
4. Connectors equipped with female contacts.
5. Connectors equipped with male contacts.
6. Typical = 8.7.
7. This alternative design takes into account the different possible values of L.



**GAUGE 20 90° PCB SOLDER CONTACTS (SIZES E, A, B, C) (CODE P)**

Pitch between contacts

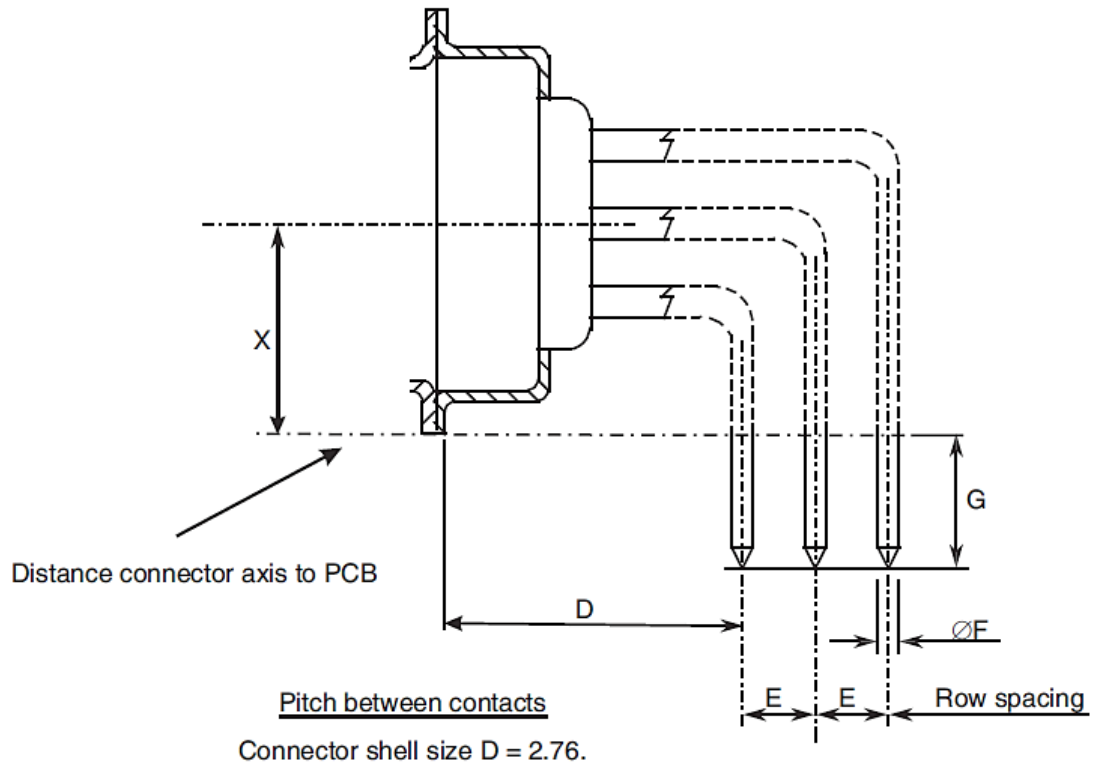
Connector shell sizes E and A: 2.74.

Connector shell sizes B and C: 2.76.

Symbol/Dim.	$\underline{D}$ (2)	$\underline{E}$ (3)	$\underline{\varnothing F}$ (4)	$\underline{G}$	$\underline{X}$ (5)
min.	6.94	2.79	0.69	3.9	6.2
max.	7.44	2.89	0.84	4.7	6.5

**NOTES:**

1. All dimensions are in mm.
2. Typical = 7.19.
3. Typical = 2.84.
4. Typical = 0.76.
5. Typical = 6.35.

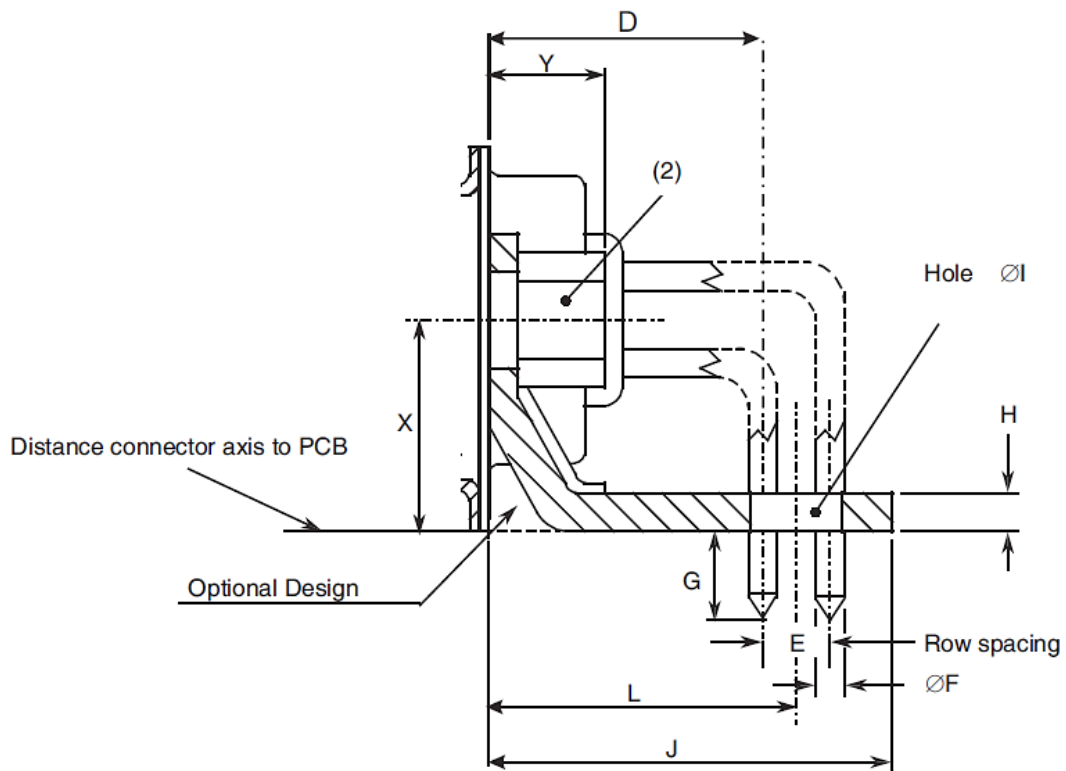
**GAUGE 20 90° PCB SOLDER CONTACTS (SIZE D) (CODE P)**


Symbol/Dim.	$\underline{D}$ (2)	$\underline{E}$ (3)	$\underline{\varnothing F}$ (4)	$\underline{G}$	$\underline{X}$ (5)
min.	6.94	2.79	0.69	3.9	7.6
max.	7.44	2.89	0.84	4.7	7.9

**NOTES:**

1. All dimensions are in mm.
2. Typical = 7.19.
3. Typical = 2.84.
4. Typical = 0.76.
5. Typical = 6.35.

**GAUGE 20 90° PCB SOLDER CONTACTS WITH 90° BRACKET AND SCREW LOCKS**  
**(SIZES E, A, B, C) (CODES L7, L9)**



Pitch between contacts

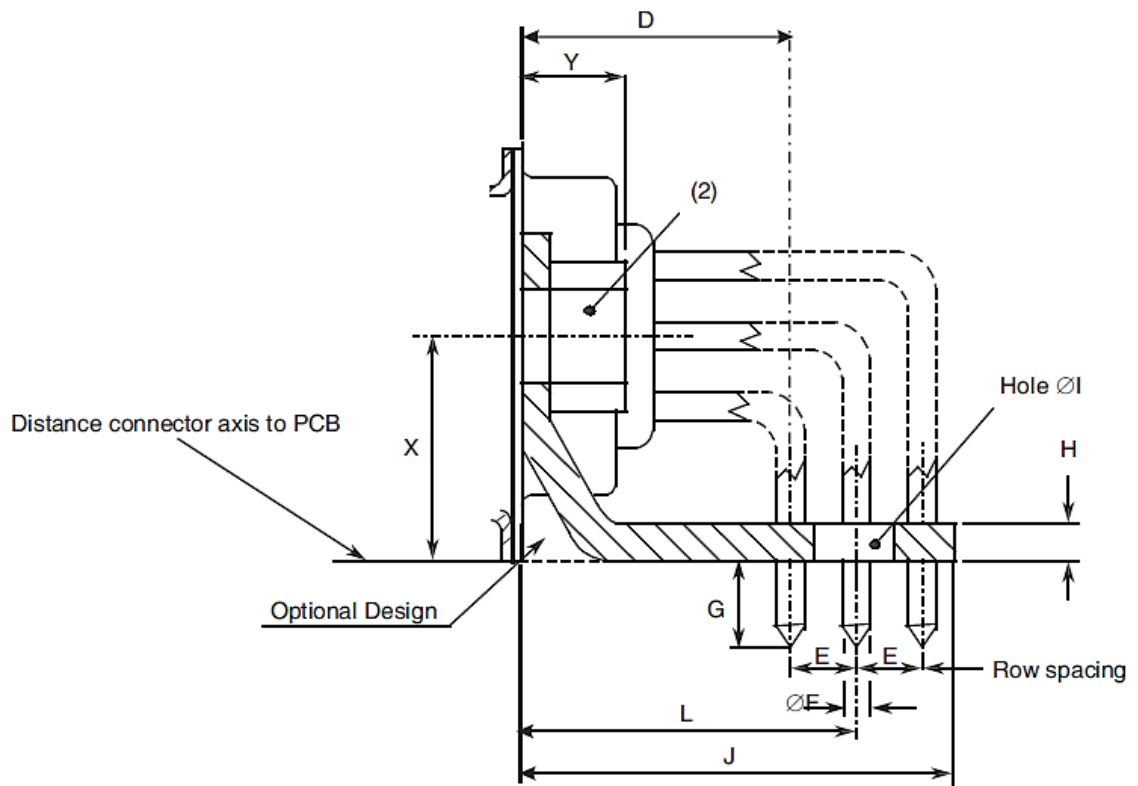
Connector shell sizes E and A: 2.74.  
 Connector shell sizes B and C: 2.76.

Symbol/Dim.	$\underline{D}$ (3)	E (4)	$\underline{\text{ØF}}$ (5)	$\underline{G}$	H	I	J	$\underline{L}$	X (6)	Y
min.	6.94	2.79	0.69	3.9	1	3.12	11.4	8.5	6.2	-
max.	7.44	2.89	0.84	4.7	3.2	3.32	11.8	8.7	6.5	7

**NOTES:**

1. All dimensions are in mm.
2. Code L7: Nut 4-40.  
Code L9: Nut M3.
3. Typical = 7.19.
4. Typical = 2.84.
5. Typical = 0.76.
6. Typical = 6.35.

**GAUGE 20 90° PCB SOLDER CONTACTS WITH 90° BRACKET AND SCREW LOCKS (SIZE D)**  
**(CODES L7, L9)**



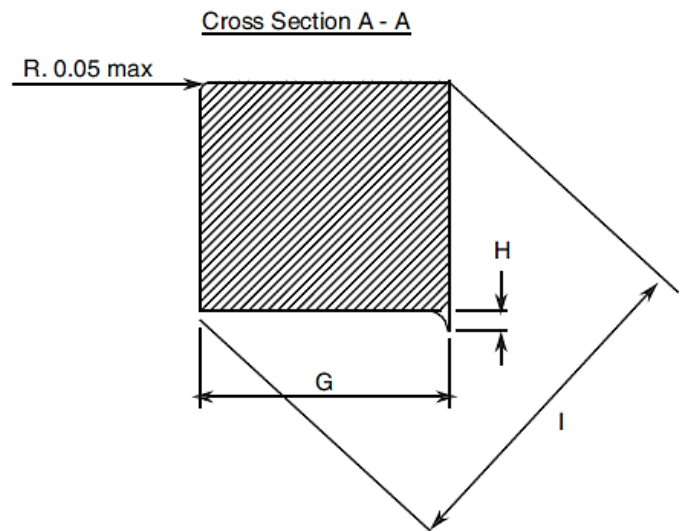
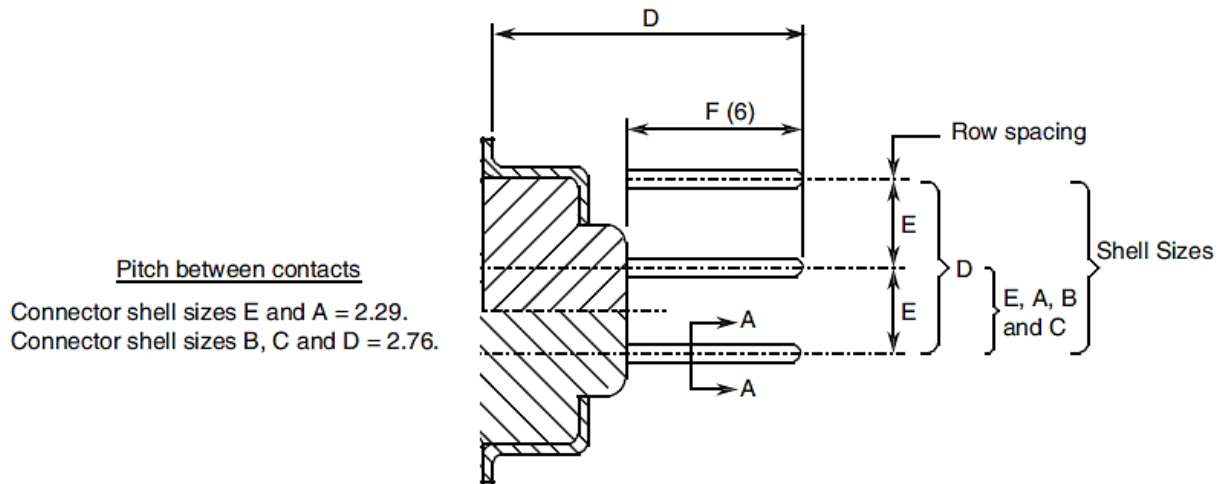
Pitch between contacts  
 Connector shell size D = 2.76.

Symbol/Dim.	$\underline{D}$ (3)	$\underline{E}$ (4)	$\underline{\varnothing F}$ (5)	$\underline{G}$	H	I	J	$\underline{L}$	X (6)	Y
min.	6.94	2.79	0.69	3.9	1	3.12	11.4	8.5	6.2	-
max.	7.44	2.89	0.84	4.7	3.2	3.32	11.8	8.7	6.5	7

**NOTES:**

1. All dimensions are in mm.
2. Code L7: Nut 4-40.  
Code L9: Nut M3.
3. Typical = 7.19.
4. Typical = 2.84.
5. Typical = 0.76.
6. Typical = 7.75.

**GAUGE 20 WIRE-WRAP CONTACTS (CODE F179A)**



Symbol/Dim.	D		E (5)	F (6)	G	H	I
	(2) (3)	(4)					
min.	-	-	2.77	12.6	0.59	-	0.787
max.	20.1	20.3	2.91	12.8	0.61	0.02	0.864

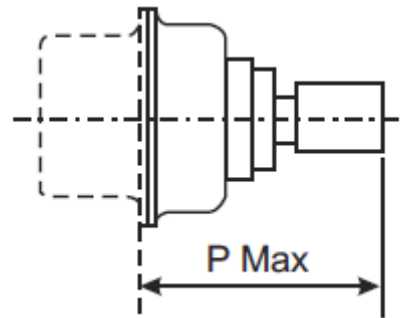
**NOTES:**

1. All dimensions are in mm.
2. Connectors equipped with female contacts all sizes.
3. Connectors equipped with male contacts sizes E, A.
4. Connectors equipped with male contacts sizes B, C, D.
5. Typical = 2.84.
6. Dimension F is the length of the square part of the contact.



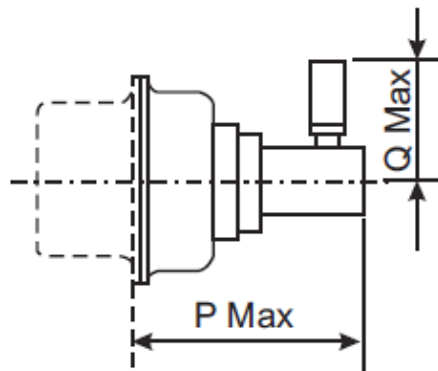
**POWER AND COAXIAL CONTACTS (CODE -, 7N, 9N)**

Straight coaxial contacts



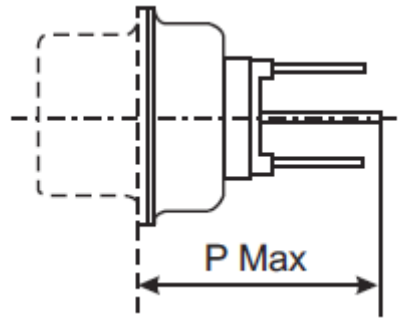
Symbol	Connectors equipped with Variant Number per <a href="#">3401/004</a>			
	<a href="#">3401/004</a> Variants 01-02-05-06-11-12-15-16		<a href="#">3401/004</a> Variants 09-10-19-20	
P	19.6 (2) (3)	19.8 (4)	22.3 (2) (3)	22.5 (4)

90° coaxial contacts



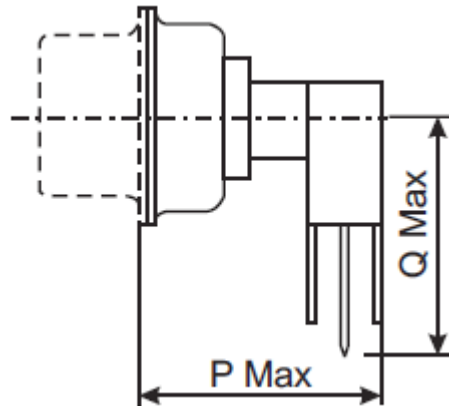
Symbol	Connectors equipped with <a href="#">3401/004</a> Variants 03-04-07-08-13-14-17-18	
P	14.3 (2) (3)	14.5 (4)
Q	12.5	

Straight coaxial PCB contacts



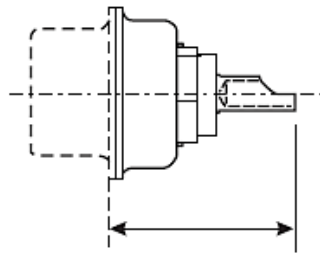
Symbol	Connectors equipped with <a href="#">3401/004</a> Variants 21-22	
P	13.8 (2) (3)	14 (4)

90° coaxial PCB contacts



Symbol	Connectors equipped with <a href="#">3401/004</a> Variants 23-24	
P	15.8 (2) (3)	16 (4)
Q	13	

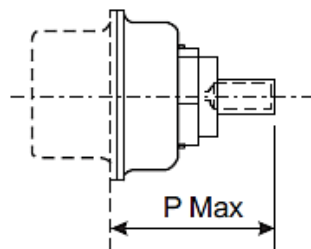
Straight Power Solder Contact



3401/001 connectors equipped with contact Variants 01 through 06 of 3401/040

17.7 Max. (2) (3)  
17.9 Max. (4)

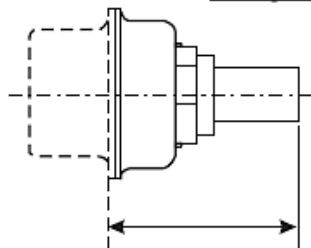
Straight Power Crimp Contact



3401/001 connectors equipped with contact Variants 07 through 12 and 18 through 21 of 3401/040

19.8 Max. (2) (3)  
20 Max. (4)

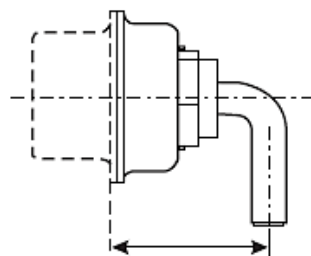
Straight Power PCB Contact



3401/001 connectors equipped with contact Variants 13 and 14 of 3401/040

14.8 Max. (2) (3)  
15 Max. (4)

90° Power PCB Contact



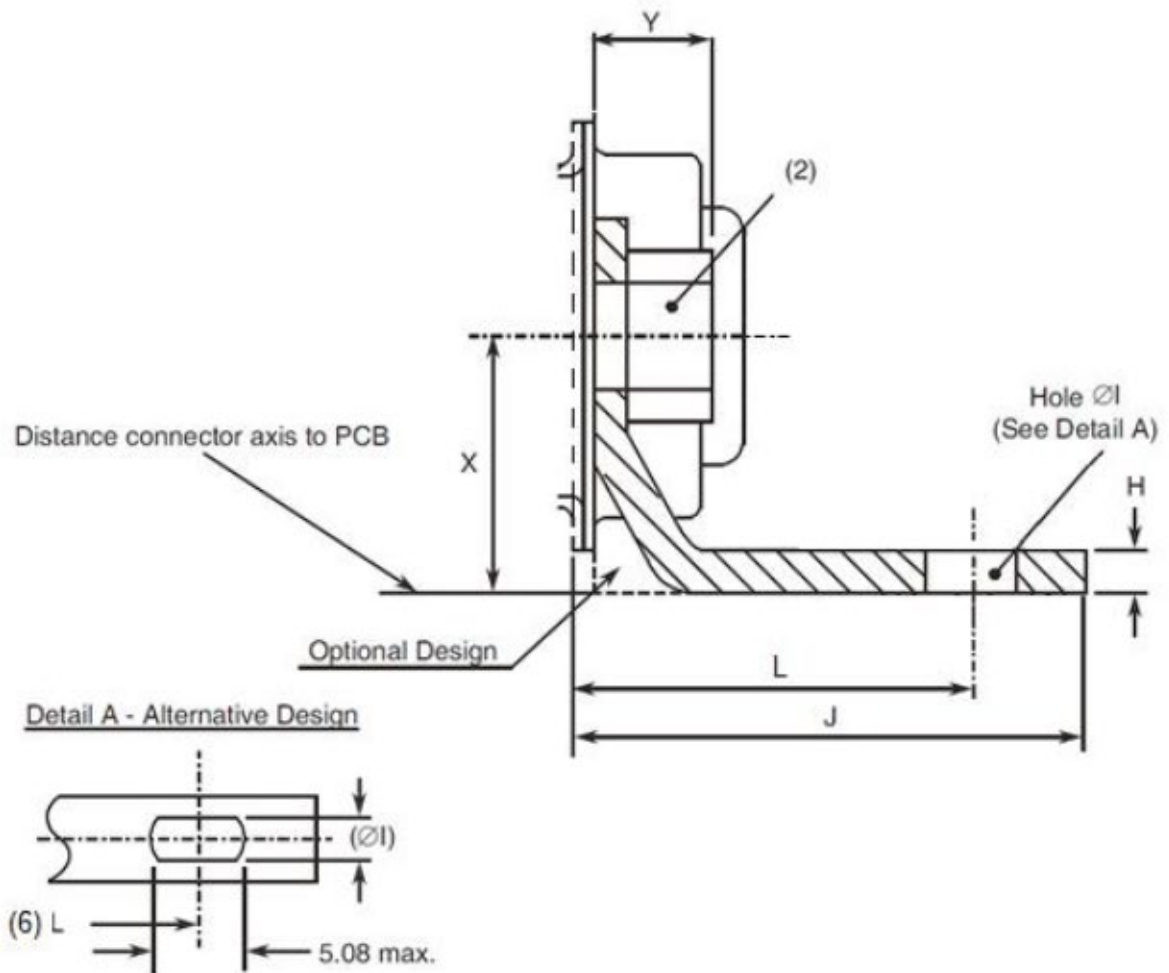
3401/001 connectors equipped with contact Variants 15 and 16 of 3401/040

12.8 Max. (2) (3)  
13 Max. (4)

**NOTES:**

1. All dimensions are in mm.
2. Connectors equipped with female contacts all sizes.
3. Connectors equipped with male contacts sizes E, A.
4. Connectors equipped with male contacts sizes B, C, D.

**POWER AND COAXIALS CONTACTS WITH 90° BRACKET AND SCREW LOCKS (SIZES A, B, C)  
(CODES 7N, 9N)**

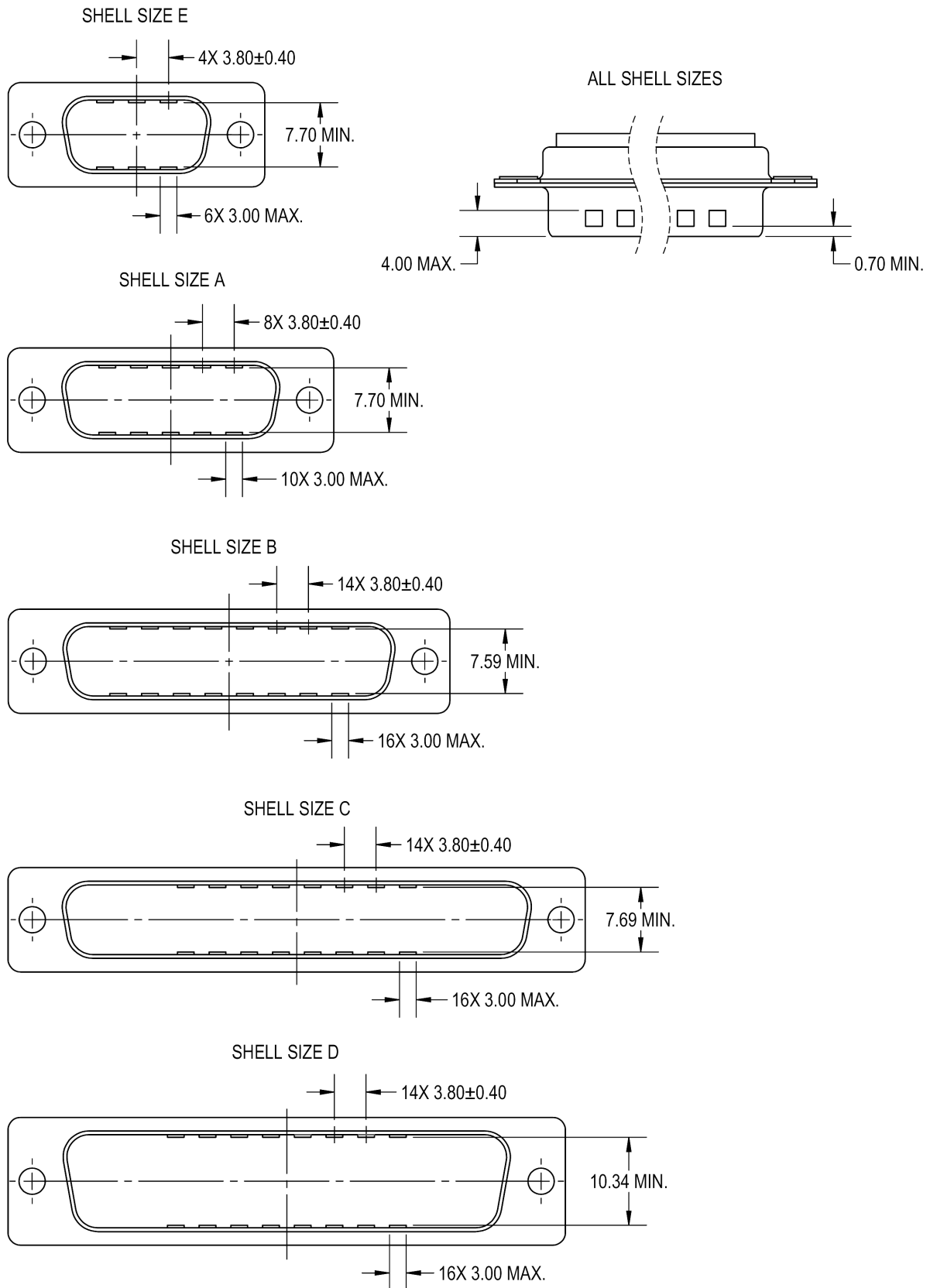


Symbol/ Dim.	H	ØI	J		L		X (5)	Y
			(3)	(4)	(3)	(4)		
Min.	1	3.12	-	-	11.37	11.57	7.2	-
Max.	3.2	3.32	15.6	15.8	11.72	11.92	7.5	7

**NOTES:**

1. All dimensions are in mm.
2. Code 7N: Nut 4-40.  
Codes 9N: Nut M3.
3. Connectors equipped with female contacts all sizes and connectors equipped with male contacts size A (Contact arrangements 3W3, 3WK3).
4. Connectors equipped with male contacts sizes B (contact arrangement 5W5), C (contact arrangement 8W8).
5. Typical = 7.35.
6. This alternative design takes into account the different possible values of L.
7. Figure is shown without contacts.

**FIGURE 2(d) – PLUG CONNECTORS WITH DIMPLED SHELL**



**NOTES:**

1. All dimensions are in mm.

## 4 REQUIREMENTS

### 4.1 GENERAL

The complete requirements for procurement of the connectors specified herein are stated in this specification and ESCC Generic Specification No. 3401. Deviations from the Generic Specification, applicable to this specification only, are listed in Para. 4.2.

Deviations from the applicable Generic Specification and this Detail Specification, formally agreed with specific Manufacturers on the basis that the alternative requirements are equivalent to the ESCC requirements and do not affect the components' reliability, are listed in the appendices attached to this specification.

### 4.2 DEVIATIONS FROM GENERIC SPECIFICATION

#### 4.2.1 Deviations from Special In-Process Controls

None.

#### 4.2.2 Deviations from Final Production Tests (Chart II)

(a) Para. 9.9, Seal Test: Not applicable.

#### 4.2.3 Deviations from Burn-in and Electrical Measurements (Chart III)

Chart III is not applicable.

#### 4.2.4 Deviations from Qualification Tests (Chart IV)

(a) Para. 9.1.1.4, Mated Shell Conductivity: Not applicable.

(b) Para. 9.9, Seal Test: Not applicable.

(c) Para. 9.2.4, Jackscrew Retention, Not applicable.

(d) Para. 9.27, Maintenance Aging: Not applicable to gauge 20 and 22 contacts.

#### 4.2.5 Deviations from Lot Acceptance Tests (Chart V)

(a) Para. 9.1.1.4, Mated Shell Conductivity: Not applicable.

(b) Para. 9.9, Seal Test: Not applicable.

### 4.3 MECHANICAL REQUIREMENTS

#### 4.3.1 Dimension Check

The dimensions of the connectors specified herein shall be verified in accordance with the requirements set out in Para. 9.6 of ESCC Generic Specification 3401 and shall conform to those shown in Figure 2 of this specification. Only the underlined dimensions shall be checked during procurement.

#### 4.3.2 Weight

The maximum weight of the connectors specified herein, with contacts, shall be as specified in Table 1(a).

4.3.3 Contact Capability

For the purpose of this test, the pick-up and drop weights shall be as follows:

CONTACTS	MEASUREMENTS	PICK-UP WEIGHT	DROP WEIGHT
Gauge 20	Weight (g)	28.35	226.8
	Pin diameter (mm)	0.99 to 0.993	1.039 to 1.04
	Insertion depth (mm)	4	4
Gauge 22	Weight (g)	19.84	226.8
	Pin diameter (mm)	0.749 to 0.751	0.773 to 0.775
	Insertion depth (mm)	4	4

See ESCC Detail Specifications Nos. [3401/004](#) and [3401/040](#) for coaxial and power contacts.

4.3.4 Contact Retention (in insert)

The contact retention force of gauge 20 and 22 contacts within the insert shall be 40N.

See ESCC Detail Specification Nos. [3401/004](#) and [3401/040](#) for coaxial and power contacts.

4.3.5 Mating and Unmating Forces

The forces applied for mating and unmating of the connectors shall conform to the values specified in Table 1(a).

4.3.6 Insert Retention (in Shell)

Connector inserts shall withstand a pressure of 42.8N/cm<sup>2</sup> without being dislodged from the shell.

4.3.7 Jackscrew Retention

Not applicable

4.3.8 Contact Insertion and Withdrawal Forces

See ESCC Detail Specification Nos. [3401/004](#) & [3401/040](#) for coaxial and power contacts. Not applicable to other contact types.

4.3.9 Engagement and Separation Forces

The engagement and separation forces of the female contacts shall be tested with the applicable test pin and shall not exceed the values of the table hereunder.

CONTACTS	MEASUREMENTS	DIAMETER (mm)		ENGAGEMENT MAX (N)	SEPARATION (N)	
		MIN	MAX		MIN	MAX
Gauge 20	Max Ø Test Pin	1.039	1.04	3.33	-	2.22
	Min Ø Test Pin	0.99	0.993	-	0.28	-
Gauge 22	Max Ø Test Pin	0.773	0.775	3.33	-	2.22
	Min Ø Test Pin	0.749	0.751	-	0.2	-

See ESCC Detail Specifications Nos. [3401/004](#) and [3401/040](#) for coaxial and power contacts.

4.3.10 Oversize Pin Exclusion

The diameter of the test pin and the force applied to it shall be as follows:

CONTACTS	TEST PIN DIAMETER (mm)		FORCE (N) MAX
	MIN	MAX	
Gauge 20	1.166	1.17	3.33
Gauge 22	0.905	0.907	2.43

See ESCC Detail Specifications Nos. [3401/004](#) and [3401/040](#) for coaxial and power contacts.

4.3.11 Probe Damage

The probe diameter and the moment at the end of the probe shall be as follows:

CONTACTS	PROBE DIAMETER (mm)		MOMENT (N.cm)
	MIN	MAX	
Gauge 20	1.007	1.033	5.65
Gauge 22	0.749	0.774	1.3

See ESCC Detail Specification Nos. [3401/004](#) and [3401/040](#) for coaxial and power contacts.

4.3.12 Solderability

Size A soldering iron shall be used.

See ESCC Detail Specification Nos. [3401/004](#) and [3401/040](#) for coaxial and power contacts.

4.4 MATERIALS AND FINISHES

The materials and finishes shall be as specified herein. Where a definite material is not specified, a material which will enable the connectors specified herein to meet the performance requirements of this specification shall be used. Acceptance or approval of any constituent material does not guarantee acceptance of the finished product.

4.4.1 Shells

Shells of shell sizes E, A, B, C, D shall be made of brass. The standard plating finish (i.e. no Modification Code) shall be 0.7µm minimum of gold over 1µm minimum of copper. An alternative plating finish is 12.7µm minimum electroless nickel (Modification Code A175).

Shells of shell size F shall be made of aluminium alloy. The plating finish shall be either 25.4µm minimum of electroless nickel (Modification Code A174) or 0.7µm minimum of gold with 25.4µm minimum electroless nickel underplating (Modification Code FR172).

4.4.2 Inserts

Inserts shall be made of glass-fibre filled diallylphthalate resin or a suitable thermoplastic material.

4.4.3 Contacts

The contact body shall be made of copper alloy with an underplate of 1µm minimum of copper, gold plated with 1.27µm minimum of gold.

The female contact spring element shall be made of copper alloy with an underplate of 1µm minimum of nickel or copper, gold plated with 1.27µm minimum of gold.



#### 4.4.4 Contact Retaining Clip

Not applicable to gauge 20 and 22 contacts.

See ESCC Detail Specification Nos. [3401/004](#) and [3401/040](#) for coaxial and power contacts.

#### 4.4.5 Guiding and Locking Devices

As specified in ESCC Detail Specification Nos. [3401/022](#), [3401/072](#) and [3401/085](#).

#### 4.4.6 Magnetism Level

The allowable value of magnetism shall not exceed that specified for the relevant level (see Para. 4.5.2.2(g)). Only magnetism levels NMC and NMD are verified.

### 4.5 MARKING

#### 4.5.1 General

The marking of all components delivered to this specification shall be in accordance with the requirements of ESCC Basic Specification No. [21700](#) and the following paragraphs.

Each component and/or the component's primary package shall be marked in respect of:

- (a) Contact number marking (see Figure 2(b)).
- (b) The ESCC qualified components symbol (for ESCC qualified components only).
- (c) The ESCC Component Number (see Para. 4.5.2).
- (d) Traceability information.

#### 4.5.2 The ESCC Component Number

The ESCC Component Number shall be constituted as follows (note 1):

Example: 340100101BDAMY15PNMBOL3A175D

- Detail Specification Reference: 3401001
- Component Type Variant Number: 01 (as required; see Table 1(a))
- Testing Level: B
- Characteristic code: Series: D
- Characteristic code: Shell Size: A (as required)
- Characteristic code: Insert Type: M
- Characteristic code: Mounting: Y (as required)
- Characteristic code: Contact Arrangement: 15 (as required)
- Characteristic code: Contact Gender: P (as required)
- Characteristic code: Magnetism Level: NMB (as required)
- Characteristic code: Contact Termination Code: OL3 (as required)
- Characteristic code: Modification Code(s): A175D (if/as required)

#### NOTES:

1. A dash (-) or space may be included as part of the ESCC Component Number marking in order to separate one or more of the individual characteristic codes.

#### 4.5.2.2 *Characteristics Codes*

Characteristics to be codified as part of the ESCC Component Number shall be as follows:

- (a) **Series**  
The connector series shall be indicated by the code letter: D.
- (b) **Shell Size**  
The shell size shall be indicated by the following code letters: E, A, B, C, D, F. See Table 1(a).
- (c) **Insert Type**  
The type of insert shall be indicated by the code letter: M.
- (d) **Mounting**  
The mounting type shall be indicated by the following code letters; see Figure 2(a):
  - E: captive nuts
  - Y: floating mount

If the shell has standard mounting holes, this code letter shall be omitted

(e) Contact Arrangement

The contact arrangement shall be indicated by the following codes; see Figure 2(b):

Code	Shell Size	Number of Contacts Gauge 20	Number of Contacts Gauge 22	Number of Coaxial or Power Contact Cavities (Note 1)
9	E	9	0	0
5W1	E	4	0	1
15	A	15	0	0
15	E	0	15	0
3W3	A	0	0	3
3WK3	A	0	0	3 (Note 2)
7W2	A	5	0	2
11W1	A	10	0	1
25	B	25	0	0
26	A	0	26	0
5W5	B	0	0	5
9W4	B	5	0	4
13W3	B	10	0	3
17W2	B	15	0	2
21W1	B	20	0	1
37	C	37	0	0
8W8	C	0	0	8
13W6	C	7	0	6
17W5	C	12	0	5
21WA4	C	17	0	4 (Note 3)
21W4	C	17	0	4 (Note 3)
25W3	C	22	0	3
27W2	C	25	0	2
44	B	0	44	0
50	D	50	0	0
24W7	D	17	0	7
36W4	D	32	0	4
43W2	D	41	0	2
47W1	D	46	0	1
62	C	0	62	0
78	D	0	78	0
104	F	0	104	0

**NOTES:**

- For connectors with contact arrangements that include coaxial or power contact cavities, the coaxial or power contacts shall be ordered separately in accordance with ESCC Detail Specification Nos. [3401/004](#) and [3401/040](#) respectively.  
Coaxial and power contacts must be from the same Manufacturer as the connector in which they are mounted and this shall be verified prior to assembly.
- Either 2 male plus 1 female contact, or 2 female plus 1 male contact (see Para. 4.5.2.2(f)).
- See Figure 2(b) for physical differences.

(f) Contact Gender  
The gender of the contacts shall be indicated by the following code letters:

- P: male contact
- S: female contact

For Contact Arrangement Code 3WK3, the gender of the contacts installed in cavities A1 and A3 (see Figure 2(b)) shall determine the code letter to be used.

(g) Magnetism Level  
The magnetism level shall be indicated by the following codes:

Code	Definition
NMB	Magnetism Level: ≤ 200 gamma (1)
NMC	Magnetism Level: ≤ 20 gamma
NMD	Magnetism Level: ≤ 2 gamma

**NOTES:**

1. Guaranteed, but not measured.

(h) Contact Termination Code  
The contact termination codes are specified in Table 1(a).

For mixed contact arrangements (see Figure 2(b)), the gauge 20 contact type shall determine the contact code used.

**NOTE:** For contact terminations with code “-“, this code shall be omitted from the ESCC Component Number.

(i) Modification Code  
A modification code shall be included in the ESCC Component Number when required, otherwise it shall be omitted. When more than a single code is applicable, all codes shall be concatenated together.

Finish codes: the following modification codes shall apply when required (see Para. 4.4.1):

- A175: electroless nickel finish for shell sizes E, A, B, C, D only.
- A174: electroless nickel finish for shell size F only.
- FR172: gold over electroless nickel finish for shell size F only.

Other codes: the following modification codes shall apply when required:

- D: plug connector (with male contacts) with dimpled shell (see Figure 2(d))

4.5.3 Traceability Information

Traceability information shall be marked in accordance with the requirements of ESCC Basic Specification No. 21700.

4.6 ELECTRICAL MEASUREMENTS

4.6.1 Electrical Measurements at Room Temperature

The parameters to be measured in respect of electrical characteristics are scheduled in Table 2. Unless otherwise specified, these measurements shall be performed at  $T_{amb} = +22 \pm 3^{\circ}C$ .

4.6.2 Electrical Measurements at High and Low Temperatures

Not applicable.

**TABLE 2 - ELECTRICAL MEASUREMENTS AT ROOM TEMPERATURE**

No.	Characteristic	Symbol	ESCC 3401 Test Method	Test Condition	Limits		Unit
					Min	Max	
1	Insulation Resistance	$R_i$	Para. 9.1.1.1	Para. 9.1.1.1	5000	-	MΩ
2	Voltage Proof Leakage Current	$I_L$	Para. 9.1.1.2	(1)	-	2	mA
3	Low Level Contact Resistance	$R_{CL}$	Para. 9.1.1.3	Para. 9.1.1.3	-	6	mΩ
	Gauge 20 Signal Contacts				-	12	
	Gauge 22 Signal Contacts				-	Note 2	
	Coaxial Contacts				-	Note 2	
4	Rated Current Contact Resistance	$R_{CR}$	Para. 9.1.1.3	Gauge 20: 7.5A Gauge 22: 3A Coaxial and Power Contacts	-	5	mΩ
					-	10	
					-	Note 2	
					-	Note 2	

**NOTES:**

1. Voltage applied:
  - Gauge 20 contacts: 1250Vrms.
  - Gauge 22 contacts, power and straight coaxial contacts: 1000Vrms.
  - 90° coaxial contacts: 800Vrms.
  - For mixed contact arrangements, the voltage applied between dissimilar contacts shall be the higher that would be applied between either of the contacts in question tested with an identical contact.
2. See ESCC Detail Specification Nos. [3401/004](#) and [3401/040](#) for coaxial and power contacts.

**TABLES 3, 4 AND 5**

Not applicable.

4.6.3 Circuit for Electrical Measurements (Figure 4)  
Not applicable.

4.7 BURN-IN AND ELECTRICAL MEASUREMENTS  
Not applicable.

4.8 ENVIRONMENTAL AND ENDURANCE TESTS (CHARTS IV AND V OF ESCC GENERIC SPECIFICATION No. [3401](#))

4.8.1 Measurements and Inspections on Completion of Environmental Tests  
The parameters to be measured and inspections to be performed on completion of environmental testing shall be those specified in Table 6. Unless otherwise specified, the measurements shall be performed at  $T_{amb} = +22 \pm 3^{\circ}C$ .

4.8.2 Measurements and Inspections at Intermediate Points during Endurance Tests  
Not applicable.

4.8.3 Measurements and Inspections on Completion of Endurance Tests

The parameters to be measured and inspections to be performed on completion of endurance tests shall be those specified in Table 6. Unless otherwise specified, the measurements shall be performed at  $T_{amb} = +22 \pm 3^{\circ}\text{C}$ .

4.8.4 Conditions for Operating Life Test (Part of Endurance Testing)

Not applicable.

4.8.5 Electrical Circuits for Operating Life Test (Figure 5)

Not applicable.

4.8.6 Conditions for High Temperature Storage Test (Part of Endurance Testing)

The requirements for the high temperature storage test are specified in Section 9 of ESCC Generic Specification No. 3401. The conditions for high temperature storage testing shall be the maximum storage temperature specified in Table 1(b) of this specification.

**TABLE 6 - MEASUREMENTS AND INSPECTIONS ON COMPLETION OF ENVIRONMENTAL AND ENDURANCE TESTING**

No.	ESCC Generic Spec. No. 3401		Measurements and Inspections		Symbol	Limits		Unit
	Environmental and Endurance Tests (1)	Test Method and Conditions	Identification	Conditions		Min	Max	
01	Seal Test	Para. 9.9	ESCC 3401 Para. 9.9	-	-	Not applicable		-
02	Wiring	Para. 9.10 & Table 1(a) of this spec.	Low Level Contact Resistance	Table 2 Item 3	R <sub>CL</sub>	Table 2 Item 3		mΩ
03	Vibration	Para. 9.11	<b>Initial Measurements</b>			Record Values		Nm
			Coupling Screw(s) Unlocking Torque	-	-			
			<b>Final Measurements</b>					
			Full Engagement					
			Coupling Screw(s) Unlocking Torque Drift	-	Δ	-25	+25	%
			Visual Examination	-	-	-	-	-
04	Shock or Bump	Para. 9.12	Full Engagement Visual Examination	-	-	-	-	-
05	Climatic Sequence	Para. 9.13	<b>Dry Heat</b>					
			Insulation Resistance	At High Temperature Table 2 Item 1	R <sub>I</sub>	1000	-	MΩ
			<b>Low Air Pressure</b>					
			Voltage Proof Leakage Current	Figure 1	I <sub>L</sub>	Table 2 Item 2		mA
			<b>Damp Heat</b>					
			Insulation Resistance	Immediately after test Table 2 Item 1	R <sub>I</sub>	100	-	MΩ
			<b>Final Measurements</b>					
			External Visual Inspection	After 1 – 24hrs recovery ESCC 3401 Para. 9.7	-	ESCC 3401 Para. 9.7		-
			Insulation Resistance	Table 2 Item 1	R <sub>I</sub>	Table 2 Item 1		MΩ
			Voltage Proof Leakage Current	Table 2 Item 2	I <sub>L</sub>	Table 2 Item 2		mA

No.	ESCC Generic Spec. No. 3401		Measurements and Inspections		Symbol	Limits		Unit
	Environmental and Endurance Tests (1)	Test Method and Conditions	Identification	Conditions		Min	Max	
06	Plating Thickness	Para. 9.14	Thickness	-	-	Para. 4.4.3 of this spec.		-
07	Joint Strength	Para. 9.15	ESCC 3401 Para. 9.15	-	-	ESCC 3401 Para. 9.15		-
08	Rapid Change of Temperature	Para. 9.16	Visual Examination	-	-	-	-	-
			Insulation Resistance	Table 2 Item 1	R <sub>I</sub>	Table 2 Item 1		MΩ
			Voltage Proof Leakage Current	Table 2 Item 2	I <sub>L</sub>	Table 2 Item 2		mA
09	Contact Retention (in insert)	Para. 9.17 & Para. 4.3.4 of this spec.	Contact Displacement	-	-	ESCC 3401 Para. 9.17		-
10	Endurance	Para. 9.18	<b>Initial Measurements</b>					
			Mating/Unmating Forces	-	F	Para. 4.3.5 of this spec.		N
			Low Level Contact Resistance	Table 2 Item 3	R <sub>CL</sub>	Record Values		mΩ
			Mated Shell Conductivity	-	-	Not applicable		-
			<b>Final Measurements</b>					
			Visual Examination	-	-	-	-	-
			Mating/Unmating Forces	-	F	Para. 4.3.5 of this spec.		N
			Low Level Contact Resistance Drift	Table 2 Item 3	ΔR <sub>CL</sub>	-	3	mΩ
			Mated Shell Conductivity	-	-	Not applicable		-
			Insulation Resistance	Table 2 Item 1	R <sub>I</sub>	Table 2 Item 1		MΩ
Voltage Proof Leakage Current	Table 2 Item 2	I <sub>L</sub>	Table 2 Item 2		mA			
11	Permanence of Marking	Para. 9.19	As applicable	-	-	-	-	-
12	Mating/Unmating Forces	Para. 9.20	Force	-	F	Para. 4.3.5 of this spec.		N
13	High Temperature Storage	Para. 9.21	<b>Initial Measurements</b>					
			Low Level Contact Resistance	Table 2 Item 3	R <sub>CL</sub>	Record Values		mΩ
			Mated Shell Conductivity	-	-	Not applicable		-
			<b>Final Measurements</b>					
			Visual Examination	-	-	-	-	-
			Mating/Unmating Forces	-	F	Para. 4.3.5 of this spec.		N
			Low Level Contact Resistance Drift	Table 2 Item 3	ΔR <sub>CL</sub>	-	3	mΩ
			Rated Current Contact Resistance	Table 2 Item 4	R <sub>CR</sub>	Table 2 Item 4		mΩ
			Mated Shell Conductivity	-	-	Not applicable		-
			Insulation Resistance	Table 2 Item 1	R <sub>I</sub>	Table 2 Item 1		MΩ
Voltage Proof Leakage Current	Table 2 Item 2	I <sub>L</sub>	Table 2 Item 2		mA			
Contact Retention (in insert)	Para. 4.3.4 of this spec.	-	ESCC 3401 Para. 9.17		N			

No.	ESCC Generic Spec. No. 3401		Measurements and Inspections		Symbol	Limits		Unit
	Environmental and Endurance Tests (1)	Test Method and Conditions	Identification	Conditions		Min	Max	
14	Corrosion	Para. 9.22	Visual Examination	-	-	-	-	-
15	Insert Retention (in shell)	Para. 9.23 & Para. 4.3.6 of this spec.	Visual Examination	-	-	Para. 4.3.6 of this spec.		-
16	Jackscrew Retention	Para. 9.24 & Para. 4.3.7 of this spec.	Visual Examination	-	-	Not applicable		-
17	High Temperature Measurements	Para. 9.25	Insulation Resistance	Table 2 Item 1	R <sub>i</sub>	500	-	MΩ
18	Overload Test	Para. 9.26	Internal Temperature	-	T	-	+100	°C
			Rated Current Contact Resistance	Table 2 Item 4	R <sub>CR</sub>	Table 2 Item 4		mΩ
			Mated Shell Conductivity	-	-	Not applicable		-
			Insulation Resistance	Table 2 Item 1	R <sub>i</sub>	Table 2 Item 1		MΩ
			Voltage Proof Leakage Current	Table 2 Item 2	I <sub>L</sub>	Table 2 Item 2		mA
19	Maintenance Aging	Para. 9.27 & Para. 4.2.4 of this spec.	Visual Examination	-	-	-	-	-
			Contact Retention (in insert)	Para. 4.3.4 of this spec.	-	ESCC 3401 Para. 9.17		N
			Contact Insertion and Withdrawal Forces	Para. 4.3.8 of this spec.	F	Para. 4.3.8 of this spec.		N
20	Engage/Separation Forces	Para. 9.28 & Para. 4.3.9 of this spec.	Force	-	F	Para. 4.3.9 of this spec.		-
21	Oversize Pin Exclusion	Para. 9.29 & Para. 4.3.10 of this spec.	-	-	-	ESCC 3401 Para. 9.29		-
22	Probe Damage	Para. 9.30 & Para. 4.3.11 of this spec.	Contact Separation Force	Para. 4.3.9 of this spec.	F	Para. 4.3.9 of this spec.		-
23	Solderability	Para. 9.31 & Para. 4.3.12 of this spec.	-	-	-	ESCC 3401 Para. 9.31		-

**NOTES:**

1. The tests in this table refer to either Chart IV or V and shall be used as applicable.



**APPENDIX A****AGREED DEVIATIONS FOR C&K CONNECT (F)**

Items Affected	Description of Deviations
Para. 4.2.2, Deviations from Final Production Tests - Chart II	Para. 9.4, Contact Capability: 100% Contact Capability Test may be omitted for solder bucket, PCB and wire-wrap contacts provided that a 100% visual inspection of the contact and a 10% Contact Capability test are performed in accordance with the C&K PID requirements.  The results of the Contact Capability test shall be considered for PDA.

**APPENDIX B**  
**AGREED DEVIATIONS FOR SOURIAU (F)**

Items Affected	Description of Deviations
Para. 4.2.2, Deviations from Final Production Tests - Chart II	<p data-bbox="587 374 1321 405">Para. 9.1.4, Electrical Measurements at Room Temperature:</p> <p data-bbox="587 416 1449 618">For solder bucket, PCB and wire-wrap contacts, Low Level Contact Resistance and Rated Current Contact Resistance measurements performed in accordance with Table 2 of the Detail Specification may be omitted provided that Low Level Contact Resistance measurements are performed on 10 contacts per contact batch in accordance with the Souriau PID requirements.</p> <p data-bbox="587 633 1430 696">The results of the Low Level Contact Resistance measurements shall be considered for PDA.</p>