



europaean space agency  
agence spatiale européenne

Pages 1 to 16

**CAPACITORS, FIXED,  
CERAMIC DIELECTRIC, TYPE II,  
BASED ON TYPE CKR 05  
ESA/SCC Detail Specification No. 3001/008**



**space components  
coordination group**

Issue/Rev.	Date	Approved by	
		SCCG Chairman	ESA Director General or his Deputy
Issue 4	May 1995	<i>Ponomarev</i>	<i>[Signature]</i>
Revision 'A'	May 1996	<i>Ponomarev</i>	<i>[Signature]</i>



**SCC**

ESA/SCC Detail Specification  
No. 3001/008

Rev. 'A'

PAGE 2

ISSUE 4

**DOCUMENTATION CHANGE NOTICE**

Rev. Letter	Rev. Date	Reference	CHANGE Item	Approved DCR No.
		This Issue supersedes Issue 3 and incorporates all modifications defined in Revisions 'A' and 'B' to Issue 3 and the following DCR's:- Cover page DCN Table 1(a) : Columns rearranged Table 1(b) : Temperature Characteristic entry deleted and Symbols revised  Figure 1 : Entry added Figure 2 : Symbols revised Para. 4.2.3 : Title amended Para. 4.5 : Entries rewritten, including sub-paragraphs Para. 4.6 : Title amended Para. 4.7 : Title amended Para. 4.7.3 : Paragraph added Table 2 : Rewritten (Limits remain unchanged) Table 3 : Rewritten (Limits remain unchanged) Table 4 : Rewritten (Limits remain unchanged) Table 5 : Title amended and Duration deleted from Table Figure 5 : Entry added Para. 4.8 : Entries rewritten, including sub-paragraphs Para. 4.8.5 : Paragraph added Table 6 : Reformatted and rewritten (Limits remain unchanged)		None None 23720 23720  23720 23720 23720 23720 23720 23720 23720 23720 23720 23720 23720 23720 23720 23720 23720 23720 23720 23720
'A'	May '96	P1. Cover page P2. DCN P4. T of C P12. Table 2  P17. Appendix 'A'	: Page count reduced by 1  : Appendix 'A' deleted and "None" added : No. 5, in Remarks, Note reference deleted : Note 1 deleted : Page deleted therefore not included as the Vitramon Appendix is no longer applicable	None None 221326 221286 221286 221326

**TABLE OF CONTENTS**

	<u>Page</u>
<b>1. <u>GENERAL</u></b>	<b>5</b>
1.1 Scope	5
1.2 Range of Components	5
1.3 Maximum Ratings	5
1.4 Parameter Derating Information	5
1.5 Physical Dimensions	5
1.6 Functional Diagram	5
<b>2. <u>APPLICABLE DOCUMENTS</u></b>	<b>5</b>
<b>3. <u>TERMS, DEFINITIONS, ABBREVIATIONS, SYMBOLS AND UNITS</u></b>	<b>5</b>
<b>4. <u>REQUIREMENTS</u></b>	<b>8</b>
4.1 General	8
4.2 Deviations from Generic Specification	8
4.2.1 Deviations from Special In-process Controls	8
4.2.2 Deviations from Final Production Tests	8
4.2.3 Deviations from Burn-in and Electrical Measurements	8
4.2.4 Deviations from Qualification Tests	8
4.2.5 Deviations from Lot Acceptance Tests	8
4.3 Mechanical Requirements	8
4.3.1 Dimension Check	8
4.3.2 Weight	8
4.3.3 Robustness of Terminations	8
4.4 Materials and Finishes	9
4.4.1 Case	9
4.4.2 Lead Material and Finish	9
4.5 Marking	9
4.5.1 General	9
4.5.2 The SCC Component Number	9
4.5.3 Electrical Characteristics and Ratings	10
4.5.4 Traceability Information	10
4.6 Electrical Measurements	11
4.6.1 Electrical Measurements at Room Temperature	11
4.6.2 Electrical Measurements at High and Low Temperatures	11
4.6.3 Circuits for Electrical Measurements	11
4.7 Burn-in Tests	11
4.7.1 Parameter Drift Values	11
4.7.2 Conditions for Burn-in	11
4.7.3 Electrical Circuit for Burn-in	11
4.8 Environmental and Endurance Tests	14
4.8.1 Measurements and Inspections on Completion of Environmental Tests	14
4.8.2 Measurements and Inspections at Intermediate Points during Endurance Tests	14
4.8.3 Measurements and Inspections on Completion of Endurance Tests	14
4.8.4 Conditions for Operating Life Tests	14
4.8.5 Electrical Circuit for Operating Life Tests	14



**TABLES**

		<u>Page</u>
1(a)	Range of Components	6
1(b)	Maximum Ratings	6
2	Electrical Measurements at Room Temperature	12
3	Electrical Measurements at High and Low Temperatures	12
4	Parameter Drift Values	13
5	Conditions for Burn-in and Operating Life Tests	13
6	Measurements and Inspections on Completion of Environmental Tests and at Intermediate Points and on Completion of Endurance Testing	15

**FIGURES**

1	Parameter Derating Information	N/A
2	Physical Dimensions	7
3	Functional Diagram	7
4	Circuits for Electrical Measurements	N/A
5	Electrical Circuit for Burn-in and Operating Life Tests	N/A

**APPENDICES (Applicable to specific Manufacturers only)**

None.

**1. GENERAL****1.1 SCOPE**

This specification details the ratings, physical and electrical characteristics, test and inspection data for Capacitors, Fixed, Ceramic Dielectric, Type II, based on Type CKR 05. It shall be read in conjunction with ESA/SCC Generic Specification No. 3001, the requirements of which are supplemented herein.

**1.2 RANGE OF COMPONENTS**

The range of capacitors covered by this specification is given in Table 1(a).

**1.3 MAXIMUM RATINGS**

The maximum ratings, which shall not be exceeded at any time during use or storage, applicable to the capacitors specified herein are scheduled in Table 1(b).

**1.4 PARAMETER DERATING INFORMATION (FIGURE 1)**

Not applicable.

**1.5 PHYSICAL DIMENSIONS**

The physical dimensions of the capacitors specified herein are shown in Figure 2.

**1.6 FUNCTIONAL DIAGRAM**

The functional diagram for the capacitors specified herein is shown in Figure 3.

**2. APPLICABLE DOCUMENTS**

The following documents form part of this specification and shall be read in conjunction with it:-

- (a) ESA/SCC Generic Specification No. 3001 for Capacitors, Fixed, Ceramic Dielectric, Types I and II.

**3. TERMS, DEFINITIONS, ABBREVIATIONS, SYMBOLS AND UNITS**

For the purpose of this specification, the terms, definitions, abbreviations, symbols and units specified in ESA/SCC Basic Specification No. 21300 shall apply. In addition the following symbols are used:-

$V_T$  = Test Voltage.

**TABLE 1(a) - RANGE OF COMPONENTS**

Variant	Capacitance Range (pF)	Capacitance Tolerance ( $\pm\%$ )	Rated Voltage ( $U_R$ ) (Vdc)	Value Series
Note 1	10 to 1 000	10	200	E12
	1 200 to 10 000	10	100	E12
	12 000 to 100 000	10	50	E12
	10 to 1 000	20	200	E6
	1 500 to 10 000	20	100	E6
	15 000 to 100 000	20	50	E6

**NOTES**

- The above range of components are available in alternate lead lengths (see Figure 2, Dimension L):-  
L = 31.75mm minimum should be ordered as Type Variant 01.  
L = 12mm minimum should be ordered as Type Variant 02.

**TABLE 1(b) - MAXIMUM RATINGS**

No.	Characteristics	Symbol	Limits		Unit	Remarks
			Min.	Max.		
1	Rated Voltage	$U_R$	-	200 100 50	Vdc	See Table 1(a)
2	Operating Temperature Range	$T_{op}$	-55	+125	$^{\circ}C$	Without derating
3	Storage Temperature Range	$T_{stg}$	-55	+125	$^{\circ}C$	
4	Soldering Temperature	$T_{sol}$	-	+260	$^{\circ}C$	Note 1

**NOTES**

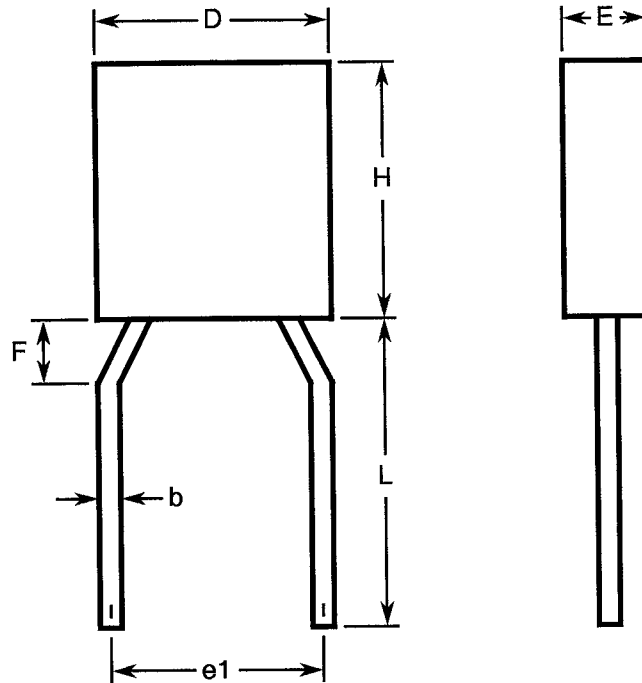
- Duration 10 seconds maximum at a distance of not less than 3.0mm from the device body and the same lead shall not be resoldered until 3 minutes have elapsed.

**FIGURE 1 - PARAMETER DERATING INFORMATION**

Not applicable.

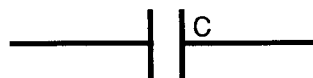


**FIGURE 2 - PHYSICAL DIMENSIONS**



SYMBOL	DIMENSIONS (mm)	
	MIN.	MAX.
b	0.54	0.66
D	-	5.10
e1	4.70	5.50
E	-	2.55
F	-	1.14
H	-	5.10
L	See Table 1(a)	

**FIGURE 3 - FUNCTIONAL DIAGRAM**





#### 4. REQUIREMENTS

##### 4.1 GENERAL

The complete requirements for procurement of the capacitors specified herein are stated in this specification and ESA/SCC Generic Specification No. 3001 for Capacitors, Fixed, Chips, Ceramic Dielectric, Types I and II. Deviations from the Generic Specification, applicable to this specification only, are listed in Para. 4.2.

Deviations from the applicable Generic Specification and this Detail Specification, formally agreed with specific Manufacturers on the basis that the alternative requirements are equivalent to the ESA/SCC requirements and do not affect the components' reliability, are listed in the appendices attached to this specification.

##### 4.2 DEVIATIONS FROM GENERIC SPECIFICATION

###### 4.2.1 Deviations from Special In-process Controls

None.

###### 4.2.2 Deviations from Final Production Tests (Chart II)

None.

###### 4.2.3 Deviations from Burn-in and Electrical Measurements (Chart III)

None.

###### 4.2.4 Deviations from Qualification Tests (Chart IV)

None.

###### 4.2.5 Deviations from Lot Acceptance Tests (Chart V)

None.

##### 4.3 MECHANICAL REQUIREMENTS

###### 4.3.1 Dimension Check

The dimensions of the capacitors specified herein shall be verified in accordance with the requirements set out in Para. 9.4 of ESA/SCC Generic Specification No. 3001 and they shall conform to those shown in Figure 2 of this specification.

###### 4.3.2 Weight

The maximum weight of the capacitors specified herein shall be 1.0 grammes.

###### 4.3.3 Robustness of Terminations

The requirements for robustness of terminations are specified in Para. 9.7 of ESA/SCC Generic Specification No. 3001. The test conditions shall be as follows:-

(a) **Applied Force:** 10N, tensile.

(b) **Duration:** 10s.





4.4 MATERIALS AND FINISHES

The materials and finishes shall be as specified herein. Where a definite material is not specified, a material which will enable the capacitors specified herein to meet the performance requirements of this specification shall be used. Acceptance or approval of any constituent material does not guarantee acceptance of the finished product.

4.4.1 Case

As a minimum, a thermo-setting resin moulding shall ensure the protection of the capacitors.

4.4.2 Lead Material and Finish

The lead material shall be Type 'A' with Type '3 or 4' finish in accordance with the requirements of ESA/SCC Basic Specification No. 23500. At any cross-section, the maximum thickness of the sheath shall not exceed twice the minimum thickness of the sheath.

4.5 MARKING

4.5.1 General

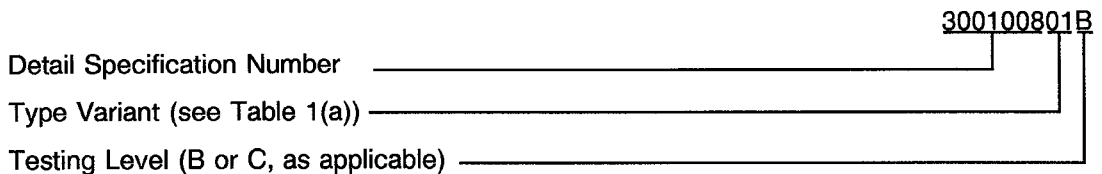
The marking of components delivered to this specification shall be in accordance with the requirements of ESA/SCC Basic Specification No. 21700 and the following paragraphs. When the component is too small to accommodate all of the marking specified, as much as space permits shall be marked and the marking information, in full, shall accompany the component in its primary package.

The information to be marked and the order of precedence, shall be as follows:-

- (a) The SCC Component Number.
- (b) Electrical Characteristics and Ratings.
- (c) Traceability Information.

4.5.2 The SCC Component Number

The SCC Component Number shall be constituted and marked as follows:-



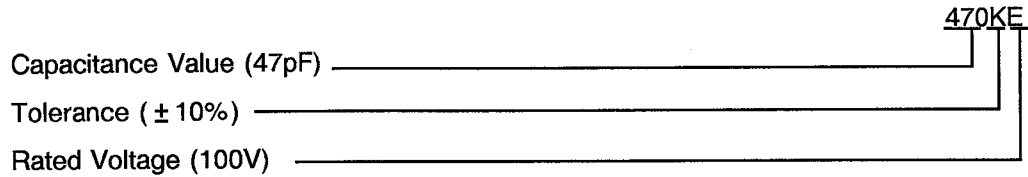


**4.5.3 Electrical Characteristics and Ratings**

The electrical characteristics and ratings to be marked in the following order of precedence are:-

- (a) Capacitance Value.
- (b) Tolerance.
- (c) Rated Voltage.

The information shall be constituted and marked as follows:-



**4.5.3.1 Capacitance Values**

The capacitance values shall be expressed by means of the following codes. The unit quantity for marking shall be in picofarads.

Capacitance Value	Code
XX	XX0
XX10 <sup>1</sup>	XX1
XX10 <sup>2</sup>	XX2
XX10 <sup>3</sup>	XX3
XX10 <sup>4</sup>	XX4

**4.5.3.2 Tolerances**

The tolerances on capacitance values shall be indicated by the code letters specified hereafter.

Tolerance (%)	Code Letter
10	K
20	M

**4.5.3.3 Rated Voltage**

The rated voltage shall be indicated by the code letters specified hereafter.

Rated Voltage (U <sub>R</sub> )	Code Letter
50	C
100	E
200	G

**4.5.4 Traceability Information**

Traceability information shall be marked in accordance with the requirements of ESA/SCC Basic Specification No. 21700.

- (a) Manufacturing Date Code.
- (b) Serial Number.
- (c) Manufacturer's Name.



#### 4.6 ELECTRICAL MEASUREMENTS

##### 4.6.1 Electrical Measurements at Room Temperature

The parameters to be measured at room temperature are scheduled in Table 2. Unless otherwise specified, measurements shall be performed at  $T_{amb} = +22 \pm 3$  °C.

##### 4.6.2 Electrical Measurements at High and Low Temperatures

The parameters to be measured at high and low temperatures are scheduled in Table 3. The measurements shall be performed at  $T_{amb} = +125(+0-5)$  and  $-55(+5-0)$  °C respectively.

##### 4.6.3 Circuits for Electrical Measurements

A circuit for use in performing the electrical measurements listed in Table 2 of this specification is shown in ESA/SCC Generic Specification No. 3001.

#### 4.7 BURN-IN TESTS

##### 4.7.1 Parameter Drift Values

The parameter drift values applicable to burn-in are specified in Table 4 of this specification. Unless otherwise stated, measurements shall be performed at  $T_{amb} = +22 \pm 3$  °C.

The parameter drift values ( $\Delta$ ) applicable to the parameters scheduled shall not be exceeded. In addition to these drift value requirements for a given parameter, the appropriate limit value specified in Table 2 shall not be exceeded.



##### 4.7.2 Conditions for Burn-in

The requirements for burn-in are specified in Section 7 of ESA/SCC Generic Specification No. 3001. The conditions for burn-in shall be as specified in Table 5 of this specification.

On completion of burn-in, a recovery period of  $24 \pm 2$  hours is necessary before performance of the end-measurements.

##### 4.7.3 Electrical Circuit for Burn-in (Figure 5)

Not applicable.

 	ESA/SCC Detail Specification No. 3001/008	Rev. 'A'	PAGE 12
			ISSUE 4

**TABLE 2 - ELECTRICAL MEASUREMENTS AT ROOM TEMPERATURE**

No.	Characteristics	Symbol	ESA/SCC 3001 Test Conditions	Limits		Unit	Remarks
				Min	Max		
1	Capacitance	C	Para. 9.5.1.1	- 10 - 20	+ 10 + 20	%	
2	Tangent of Loss Angle	Tgδ	Para. 9.5.1.2	-	250	10 <sup>-4</sup>	
3	Insulation Resistance	R <sub>i</sub> R <sub>i</sub> × C	Para. 9.5.1.3 C ≤ 10 000pF C > 10 000pF	100 1000	- -	GΩ Sec.	
4	Voltage Proof Dielectric	VP	Para. 9.5.1.4	2.5U <sub>R</sub>	-	V	
5	Voltage Proof Body Insulation	VP <sub>B</sub>	Para. 9.5.1.4	1300	-	V	

**TABLE 3 - ELECTRICAL MEASUREMENTS AT HIGH AND LOW TEMPERATURES**

No.	Characteristics	Symbol	ESA/SCC 3001 Test Conditions	Limits		Unit	Remarks
				Min	Max		
3	Insulation Resistance at T <sub>amb</sub> = +125 ± 3 °C	R <sub>i</sub> R <sub>i</sub> × C	Para. 9.5.1.3 C ≤ 10 000pF C > 10 000pF	10 100	- -	GΩ Sec.	Notes 1 and 2
6	Temperature Characteristic	TCC	Para. 9.17 V <sub>T</sub> = 0V V <sub>T</sub> = U <sub>R</sub>	- 15 - 25	+ 15 + 15	%	5 parts for each fired ceramic lot Note 3

**NOTES**

1. Applicable to Level 'B' only.
2. Single sample. Inspection Level S3, AQL 2.5%.
3. If 1 failure occurs out of the 5 parts, then test 100%. 1% reject maximum allowed in the case of 100% testing.

**FIGURE 4 - CIRCUITS FOR ELECTRICAL MEASUREMENTS**

Not applicable.

**TABLE 4 - PARAMETER DRIFT VALUES**

No.	Characteristics	Symbol	Spec. and/or Test Method	Test Conditions	Change Limits ( $\Delta$ )	Unit
1	Capacitance Change	$\frac{\Delta C}{C}$	As per Table 2	As per Table 2	$\pm 10$	%

**TABLE 5 - CONDITIONS FOR BURN-IN AND OPERATING LIFE TESTS**

No.	Characteristic	Symbol	Condition	Unit
1	Ambient Temperature	$T_{amb}$	+ 125	°C
2	Test Voltage	$V_T$	$2.0U_R$	V

**FIGURE 5 - ELECTRICAL CIRCUIT FOR BURN-IN AND OPERATING LIFE TESTS**

Not applicable.



- 4.8 ENVIRONMENTAL AND ENDURANCE TESTS (CHARTS IV AND V OF ESA/SCC GENERIC SPECIFICATION NO. 3001)
- 4.8.1 Measurements and Inspections on Completion of Environmental Tests  
The parameters to be measured and inspections to be performed on completion of environmental tests are scheduled in Table 6. Unless otherwise stated, the measurements shall be performed at  $T_{amb} = +22 \pm 3$  °C.
- 4.8.2 Measurements and Inspections at Intermediate Points during Endurance Tests  
The parameters to be measured and inspections to be performed at intermediate points during endurance tests are scheduled in Table 6. Unless otherwise stated, the measurements shall be performed at  $T_{amb} = +22 \pm 3$  °C.
- 4.8.3 Measurements and Inspections on Completion of Endurance Tests  
The parameters to be measured and inspections to be performed on completion of endurance testing are scheduled in Table 6. Unless otherwise stated, the measurements shall be performed at  $T_{amb} = +22 \pm 3$  °C.
- 4.8.4 Conditions for Operating Life Tests (Part of Endurance Testing)  
The requirements for operating life testing are specified in Section 9 of ESA/SCC Generic Specification No. 3001. The conditions for operating life testing shall be as specified in Table 5 for the Burn-in test
- 4.8.5 Electrical Circuit for Operating Life Tests (Figure 5)  
Not applicable.



**TABLE 6 - MEASUREMENTS AND INSPECTIONS ON COMPLETION OF ENVIRONMENTAL TESTS AND AT INTERMEDIATE POINTS AND ON COMPLETION OF ENDURANCE TESTING**

NO.	ESA/SCC GENERIC SPEC. NO. 3001		MEASUREMENTS AND INSPECTIONS		SYMBOL	LIMITS		UNIT
	ENVIRONMENTAL AND ENDURANCE TESTS (1)	TEST METHOD AND CONDITIONS	IDENTIFICATION	CONDITIONS		MIN.	MAX.	
01	Robustness of Terminations	Para. 9.7 and Para. 4.3.3 of this specification	Visual Examination	-	-	-	-	-
02	Resistance to Soldering Heat	Para. 9.8	<b>Initial Measurements</b> Capacitance	Table 2 Item 1	C	Table 2 Item 1		pF
			<b>Final Measurements</b> Capacitance Change Insulation Resistance	After a recovery period of 24 ± 2 hrs Table 2 Item 1 Table 2 Item 3	$\Delta C/C$ Ri or Ri × C	- 10	+ 20	% GΩ Sec.
03	Solderability	Para. 9.9	Visual Examination	-	-	-	-	-
04	Rapid Change of Temperature	Para. 9.10	<b>Initial Measurements</b> Capacitance	Table 2 Item 1	C	Table 2 Item 1		pF
			<b>Final Measurements</b> Visual Examination Capacitance Change Tangent of Loss Angle	After a recovery period of 24 ± 2 hrs - Table 2 Item 1 Table 2 Item 2	- $\Delta C/C$ Tgδ	-	-	- % 10 <sup>-4</sup>
05	Vibration	Para. 9.11	<b>During Last Cycle</b> Intermittent Contact	Para. 9.11.3 Open or Shorts	-	-	-	-
			<b>After Test</b> Visual Examination	-	-	-	-	-
06	Shock or Bump	Para. 9.12	Visual Examination	-	-	-	-	-
07	Climatic Sequence	Para. 9.13	<b>Initial Measurements</b> Capacitance	Table 2 Item 1	C	Table 2 Item 1		pF
			<b>Final Measurements</b> External Visual Inspection	After a recovery period of 1 to 24 hrs Para. 9.3 of ESA/SCC 3001	-	-	-	-
			Capacitance Change	Table 2 Item 1	$\Delta C/C$	- 10	+ 10	%
			Tangent of Loss Angle	Table 2 Item 2	Tgδ	-	250	10 <sup>-4</sup>
			Insulation Resistance	Table 2 Item 3	Ri or Ri × C	3.0	-	GΩ (2) Sec.
Voltage Proof - Body Insulation	Table 2 Item 5	VP <sub>B</sub>	30	-	V			

**NOTES**

1. The tests in this Table refer to either Chart IV or V and shall be used as applicable.
2. For values of C > 10 000pF, Time Constant > 30 sec.
3. For values of C > 10 000pF, Time Constant > 100 sec.



**TABLE 6 - MEASUREMENTS AND INSPECTIONS ON COMPLETION OF ENVIRONMENTAL TESTS AND AT INTERMEDIATE POINTS AND ON COMPLETION OF ENDURANCE TESTING (CONT'D)**

NO.	ESA/SCC GENERIC SPEC. NO. 3001		MEASUREMENTS AND INSPECTIONS		SYMBOL	LIMITS		UNIT
	ENVIRONMENTAL AND ENDURANCE TESTS (1)	TEST METHOD AND CONDITIONS	IDENTIFICATION	CONDITIONS		MIN.	MAX.	
08	Damp Heat, Steady State	Para. 9.14	<b>Initial Measurements</b> Capacitance <b>Final Measurements</b> Visual Examination Capacitance Change Tangent of Loss Angle Insulation Resistance  Voltage Proof - Body Insulation	Table 2 Item 1 After a recovery period of 6 to 24 hrs - Table 2 Item 1 Table 2 Item 2 Table 2 Item 3  Table 2 Item 5	C  - $\Delta C/C$ $Tg\delta$ Ri or $Ri \times C$ $VP_B$	Table 2 Item 1  - - - - 3000	+10 250 - - -	pF  % $10^{-4}$ $G\Omega$ (2) Sec. V
09	Operating Life	Para. 9.15 Change limits relate to initial (0- hour) measurements	<b>Initial Measurements</b> Capacitance <b>Intermediate Measurements</b> Capacitance Change Insulation Resistance <b>Final Measurements</b> Capacitance Change Tangent of Loss Angle Insulation Resistance  Voltage Proof Dielectric Voltage Proof - Body Insulation	Table 2 Item 1 After a recovery period of $24 \pm 2$ hrs Table 2 Item 1 Table 2 Item 3 After a recovery period of $24 \pm 2$ hrs Table 2 Item 1 Table 2 Item 2 Table 2 Item 3  Table 2 Item 4 Table 2 Item 5	C  $\Delta C/C$ Ri  $\Delta C/C$ $Tg\delta$ Ri or $Ri \times C$ VP $VP_B$	Table 2 Item 1  -15 10 (3)  -20 - 10 100 2.5U <sub>R</sub> 1300	+15 -  +20 250 - - - -	pF  % $G\Omega$  % $10^{-4}$ $G\Omega$ (3) Sec. V V
10	Temperature Characteristic	Para. 9.17	Temperature Characteristic	Table 3 Item 6	TCC	Table 3 Item 6		%

**NOTES:** See Page 15.