



europaean space agency  
agence spatiale européenne

Pages 1 to 22

**CAPACITORS, FIXED, CERAMIC DIELECTRIC,**

**TYPE II,**

**HIGH VOLTAGE, 1.0 TO 5.0 kV,**

**RADIAL LEADED DEVICE**

**ESA/SCC Detail Specification No. 3001/036**



**space components  
coordination group**

Issue/Rev.	Date	Approved by	
		SCCG Chairman	ESA Director General or his Deputy
Issue 1	March 2001		
Revision 'A'	February 2002		

**SCC**ESA/SCC Detail Specification  
No. 3001/036

Rev. 'A'

PAGE 2

ISSUE 1

**DOCUMENTATION CHANGE NOTICE**

Rev. Letter	Rev. Date	Reference	CHANGE Item	Approved DCR No.	
'A'	Feb. '02	P1. Cover Page	:	None	
		P2. DCN	:	None	
		P9. Table 1 (a)	:	Variant 04, 3.0kV Capacitance Range. Lowest Value amended.	23948
		P11. Figure 2 (a)	:	Dimension H, redrawn on diagram.	221630
		P12. Figure 2 (b)	:	Dimension H, redrawn on diagram.	221630
		P13. Para. 4.2.1	:	Text of paragraph deleted, amended text inserted	221629
		P20. Table 6	:	01. "Test Methods and Conditions" 2nd paragraph reference changed	221628

**TABLE OF CONTENTS**

	<u>Page</u>
<b>1. <u>GENERAL</u></b>	<b>5</b>
1.1 Scope	5
1.2 Component Type Variants and Range of Components	5
1.3 Maximum Ratings	5
1.4 Parameter Derating Information	5
1.5 Physical Dimensions	5
1.6 Functional Diagram	5
<b>2. <u>APPLICABLE DOCUMENTS</u></b>	<b>5</b>
<b>3. <u>TERMS, DEFINITIONS, ABBREVIATIONS, SYMBOLS AND UNITS</u></b>	<b>5</b>
<b>4. <u>REQUIREMENTS</u></b>	<b>13</b>
4.1 General	13
4.2 Deviations from Generic Specification	13
4.2.1 Deviations from Special In-process Controls	13
4.2.2 Deviations from Final Production Tests	13
4.2.3 Deviations from Burn-in and Electrical Measurements	13
4.2.4 Deviations from Qualification Tests	13
4.2.5 Deviations from Lot Acceptance Tests	13
4.3 Mechanical Requirements	14
4.3.1 Dimension Check	14
4.3.2 Weight	14
4.3.3 Robustness of Terminations	14
4.4 Materials and Finishes	14
4.4.1 Encapsulation	14
4.4.2 Leads	14
4.5 Marking	14
4.5.1 General	14
4.5.2 The SCC Component Number	14
4.5.3 Electrical Characteristics and Ratings	15
4.5.4 Traceability Information	16
4.6 Electrical Measurements	16
4.6.1 Electrical Measurements at Room Temperature	16
4.6.2 Electrical Measurements at High and Low Temperatures	16
4.6.3 Circuits for Electrical Measurements	16
4.7 Burn-in Tests	16
4.7.1 Parameter Drift Values	16
4.7.2 Conditions for Burn-in	16
4.7.3 Electrical Circuit for Burn-in	16
4.8 Environmental and Endurance Tests	19
4.8.1 Measurements and Inspections on Completion of Environmental Tests	19
4.8.2 Measurements and Inspections at Intermediate Points during Endurance Tests	19
4.8.3 Measurements and Inspections on Completion of Endurance Tests	19
4.8.4 Conditions for Operating Life Tests	19
4.8.5 Electrical Circuit for Operating Life Tests	19



**TABLES**

	<u>Page</u>
1(a) Type Variants and Range of Components	6
1(b) Maximum Ratings	10
2 Electrical Measurements at Room Temperature	17
3 Electrical Measurements at High and Low Temperatures	17
4 Parameter Drift Values	18
5 Conditions for Burn-in and Operating Life Tests	18
6 Measurements and Inspections on Completion of Environmental Tests and at Intermediate Points and on Completion of Endurance Testing	20

**FIGURES**

1 Parameter Derating Information	N/A
2 Physical Dimensions	11
3 Functional Diagram	12
4 Circuits for Electrical Measurements	N/A
5 Electrical Circuit for Burn-in and Operating Life Tests	N/A

**APPENDICES (Applicable to specific Manufacturers only)**

'A' Agreed Deviations for TEKELEC TEMEX (F)	22
---	----

**1. GENERAL****1.1 SCOPE**

This specification details the ratings, physical and electrical characteristics, test and inspection data for a Capacitor, Fixed, Ceramic Dielectric, Type II, High Voltage, 1.0 to 5.0kV, Radial Leaded Device. It shall be read in conjunction with ESA/SCC Generic Specification No. 3001, the requirements of which are supplemented herein.

**1.2 COMPONENT TYPE VARIANTS AND RANGE OF COMPONENTS**

The variants and range of components covered by this specification are given in Table 1(a).

**1.3 MAXIMUM RATINGS**

The maximum ratings, which shall not be exceeded at any time during use or storage, applicable to the capacitors specified herein are scheduled in Table 1(b).

**1.4 PARAMETER DERATING INFORMATION (FIGURE 1)**

Not applicable.

**1.5 PHYSICAL DIMENSIONS**

The physical dimensions of the capacitors specified herein are shown in Figure 2.

**1.6 FUNCTIONAL DIAGRAM**

The functional diagram for the capacitors specified herein is shown in Figure 3.

**2. APPLICABLE DOCUMENTS**

The following documents form part of this specification and shall be read in conjunction with it:-

- (a) ESA/SCC Generic Specification No. 3001 for Capacitors, Fixed, Ceramic Dielectric, Types I and II.

**3. TERMS, DEFINITIONS, ABBREVIATIONS, SYMBOLS AND UNITS**

For the purpose of this specification, the terms, definitions, abbreviations, symbols and units specified in ESA/SCC Basic Specification No. 21300 shall apply. In addition the following symbol is used:-

$V_T$  = Test Voltage.



**SCC**

ESA/SCC Detail Specification  
No. 3001/036

PAGE 6

ISSUE 1

**TABLE 1(g) - TYPE VARIANTS AND RANGE OF COMPONENTS**

Variant	Case Size	Figure	Capacitance Range (nF)				Weight (g)
			1.0kV	2.0kV	3.0kV	4.0kV	
01	1515	2(a)	0.33	0.22	0.10	0.10	1.0
			0.39	0.27	0.12	0.12	
			0.47	0.33	0.15	0.15	
			0.56	0.39	0.18	0.18	
			0.68	0.47	0.22	0.22	
			0.82	0.56	0.27	0.27	
			1.00	0.68	0.33	0.33	
			1.20	0.82	0.39	0.39	
			1.50	1.00	0.47	0.47	
			1.80	1.20	0.56	0.56	
			2.20	1.50	0.68	0.68	
			2.70	1.80	0.82	0.82	
			3.30	2.00	-	-	
			3.90	2.20	-	-	
			4.70	-	-	-	
			5.60	-	-	-	
			6.80	-	-	-	
			8.20	-	-	-	
			10	-	-	-	
			12	-	-	-	

**NOTES:** See Page 9.



ESA/SCC Detail Specification  
No. 3001/036

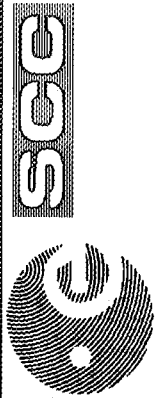
PAGE 7

ISSUE 1

**TABLE 1(a) - TYPE VARIANTS AND RANGE OF COMPONENTS**

Variant	Case Size	Figure	Capacitance Range (nF)				Weight (g)
			1.0kV	2.0kV	3.0kV	4.0kV	
02	2020	2(b)	0.68	0.47	0.22	0.15	2.0
			0.82	0.56	0.27	0.18	
			1.00	0.68	0.33	0.22	
			1.20	0.82	0.39	0.27	
			1.50	1.00	0.47	0.33	
			1.80	1.20	0.56	0.39	
			2.20	1.50	0.68	0.47	
			2.70	1.80	0.82	0.56	
			3.30	2.20	1.00	0.68	
			3.90	2.70	1.20	0.82	
			4.70	3.30	1.50	1.00	
			5.60	3.90	1.80	1.20	
			6.80	4.70	2.20	1.50	
			8.20	5.60	-	-	
			10	6.80	-	-	
			12	-	-	-	
			15	-	-	-	
			18	-	-	-	
			22	-	-	-	

NOTES: See Page 9.



ESA/SCC Detail Specification  
No. 3001/036

PAGE 8

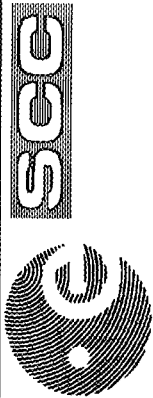
ISSUE 1

**TABLE 1(a) - TYPE VARIANTS AND RANGE OF COMPONENTS**

Variant	Case Size	Figure	Capacitance Range (nF)						Weight (g)
			1.0kV	2.0kV	3.0kV	4.0kV	5.0kV		
03	2520	2(a)	1.00	0.68	0.33	0.22	0.12	3.0	
			1.20	0.82	0.39	0.27	0.15		
			1.50	1.00	0.47	0.33	0.18		
			1.80	1.20	0.56	0.39	0.22		
			2.20	1.50	0.68	0.47	0.27		
			2.70	1.80	0.82	0.56	0.33		
			3.30	2.20	1.00	0.68	0.39		
			3.90	2.70	1.20	0.82	0.47		
			4.70	3.30	1.50	1.00	0.56		
			5.60	3.90	1.80	1.20	0.68		
			6.80	4.70	2.20	1.50	0.82		
			8.20	5.60	2.70	1.80	1.00		
			10	6.80	3.30	-	-		
			12	8.20	-	-	-		
			15	-	-	-	-		
			18	-	-	-	-		
			22	-	-	-	-		
			27	-	-	-	-		
			33	-	-	-	-		

NOTES: See Page 9.





ESA/SCC Detail Specification  
No. 3001/036

PAGE 9  
ISSUE 1

Rev. 'A'

**TABLE 1(a) - TYPE VARIANTS AND RANGE OF COMPONENTS**

Variant	Case Size	Figure	Capacitance Range (nF)					Weight (g)
			1.0kV	2.0kV	3.0kV	4.0kV	5.0kV	
04	3333	2(a)	22	4.70	2.2	1.50	0.82	4.0
			27	5.60	2.7	1.80	1.00	
			33	6.80	3.3	2.20	1.20	
			39	8.20	3.9	2.70	1.50	
			47	10	4.7	3.30	1.80	
			56	12	5.6	3.90	2.20	
			68	15	6.8	4.7	2.70	
			82	18	8.2	5.6	-	
			100	22	10.0	-	-	
			05	5440	2(b)	82	15	
100	18	10				5.6	3.3	
120	22	12				6.8	3.9	
150	27	15				8.2	4.7	
180	33	18				10	5.6	
200	39	22				12	6.8	
220	47	27				-	8.2	
-	56	-				-	-	
-	68	-				-	-	

**NOTES**

1. The capacitors are available in  $\pm 10\%$  and  $\pm 20\%$  tolerances.

**TABLE 1(b) - MAXIMUM RATINGS**

No.	Characteristics	Symbol	Limits		Unit	Remarks
			Min.	Max.		
1	Rated Voltage	$U_R$	See Table 1(a)		V	
2	Operating Temperature Range	$T_{op}$	-55	+125	°C	Without derating. $T_{amb}$
3	Storage Temperature Range	$T_{stg}$	-55	+125	°C	
4	Soldering Temperature	$T_{sol}$	-	+260	°C	Note 1

**NOTES**

1. Duration 5 seconds maximum at a distance of not less than 1.5mm from the device body and the same lead shall not be resoldered until 3 minutes have elapsed.

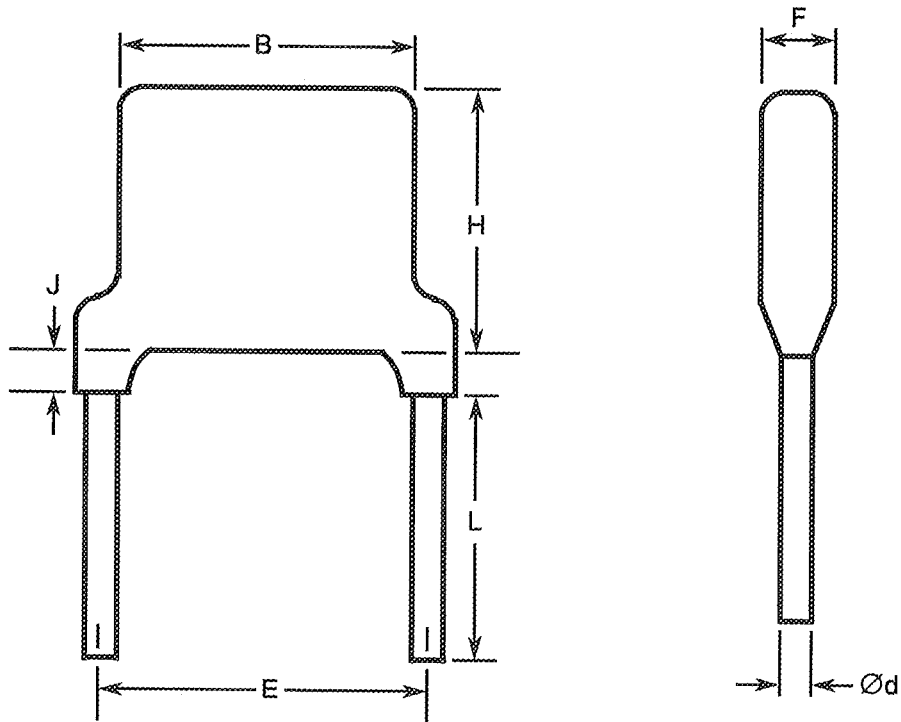
**FIGURE 1 - PARAMETER DERATING INFORMATION**

Not applicable.



**FIGURE 2 - PHYSICAL DIMENSIONS**

**FIGURE 2(a)**

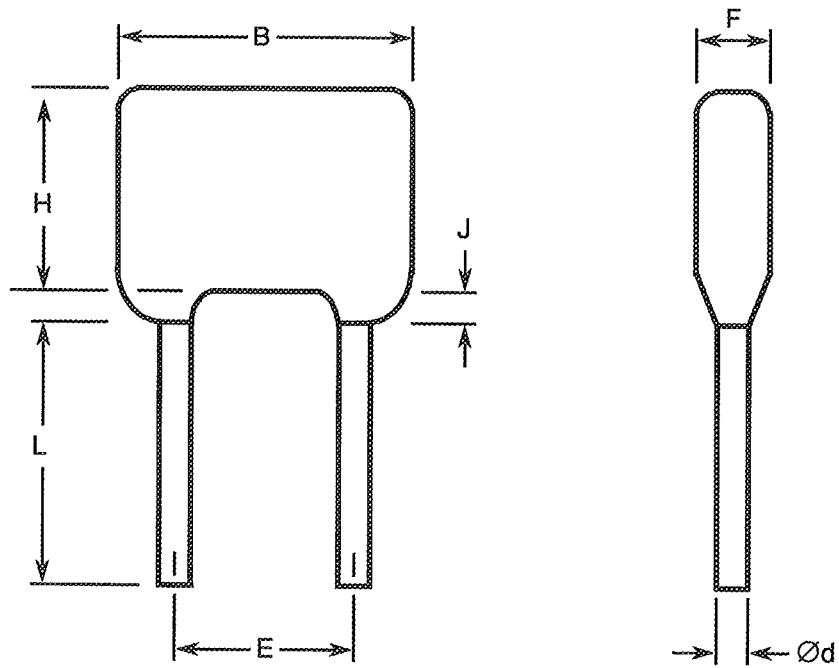


Variant	Case Size	Dimensions (mm)									Voltage
		B (max)	$\varnothing d$ min	$\varnothing d$ max	E min	E max	F (max)	H (max)	J (max)	L (min)	
01	1515	6.3	0.54	0.66	4.58	5.58	5.2	5.8	2.5	25	1 to 4kV
03	2520	8.9	0.54	0.66	7.12	8.12	5.2	7.1	2.5	25	1 to 2kV
03	2520	8.9	0.54	0.66	7.12	8.12	5.8	7.1	2.5	25	3 to 5kV
04	3333	11.4	0.81	0.99	9.66	10.66	5.8	10.4	2.5	25	1 to 4kV
04	3333	11.4	0.81	0.99	9.66	10.66	7.2	10.4	2.5	25	5kV



**FIGURE 2 - PHYSICAL DIMENSIONS (CONTINUED)**

**FIGURE 2(b)**



Variant	Case Size	Dimensions (mm)									Voltage
		B (max)	Ød		E		F (max)	H (max)	J (max)	L (min)	
02	2020	7.6	0.54	0.66	4.58	5.58	5.2	7.1	2.5	25	1.0 to 4.0kV
05	5440	16.7	0.81	0.99	14.74	15.74	5.8	12.2	2.5	25	1.0kV
05	5440	16.7	0.81	0.99	14.74	15.74	6.4	12.2	2.5	25	2.0 to 4.0kV
05	5440	16.7	0.81	0.99	14.74	15.74	7.7	12.2	2.5	25	5.0kV

**FIGURE 3 - FUNCTIONAL DIAGRAM**





#### 4. REQUIREMENTS

##### 4.1 GENERAL

The complete requirements for procurement of the capacitors specified herein are stated in this specification and ESA/SCC Generic Specification No. 3001 for Capacitors, Fixed, Ceramic Dielectric, Types I and II. Deviations from the Generic Specification, applicable to this specification only, are listed in Para. 4.2.

Deviations from the applicable Generic Specification and this Detail Specification, formally agreed with specific Manufacturers on the basis that the alternative requirements are equivalent to the ESA/SCC requirements and do not affect the components' reliability, are listed in the appendices attached to this specification.

##### 4.2 DEVIATIONS FROM GENERIC SPECIFICATION

###### 4.2.1 Deviations from Special In-process Controls

(a) Para. 5.2.1 "Microsection Examination": selection of sample shall be carried out according to Appendix A.

(b) Para. 5.2.3, "Robustness of Terminations": Shall be replaced with a "Lead Peel" test as follows:-

1. Where necessary, bend the leads of the capacitor through 90° in the plane of the joint.
2. Apply a tensile force to the bend section of the lead until the joint peels.
3. The minimum peeling force shall be 10 Newtons.

###### 4.2.2 Deviations from Final Production Tests (Chart II)

None.

###### 4.2.3 Deviations from Burn-in Tests (Chart III)

None.

###### 4.2.4 Deviations from Qualification Tests (Chart IV)

(a) Para. 5.2.3, "Robustness of Terminations": Shall be replaced with a "Lead Peel" test as described in Para. 4.2.1 of this specification.

###### 4.2.5 Deviations from Lot Acceptance Tests (Chart V)

(a) Para. 5.2.3, "Robustness of Terminations": Shall be replaced with a "Lead Peel" test as described in Para. 4.2.1 of this specification.

#### 4.3 MECHANICAL REQUIREMENTS

##### 4.3.1 Dimension Check

The dimensions of the capacitors specified herein shall be verified in accordance with the requirements set out in Para. 9.4 of ESA/SCC Generic Specification No. 3001 and they shall conform to those shown in Figure 2 of this specification.

##### 4.3.2 Weight

The maximum weight of the capacitors specified herein shall be as scheduled in Table 1(a).



4.3.3 Robustness of Terminations

The terminations of these devices are defined as 'rigid'.

4.4 MATERIALS AND FINISHES

The materials and finishes shall be as specified herein. Where a definite material is not specified, a material which will enable the capacitors specified herein to meet the performance requirements of this specification shall be used. Acceptance or approval of any constituent material does not guarantee acceptance of the finished product.

4.4.1 Encapsulation

As a minimum, the capacitors shall be coated in epoxy resin.

4.4.2 Leads

The lead material shall be Type 'A' with Type '3' finish in accordance with the requirements of ESA/SCC Basic Specification No. 23500.

4.5 MARKING

4.5.1 General

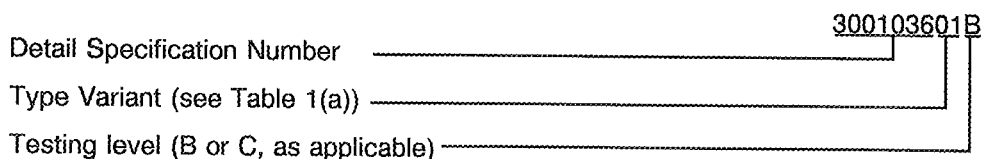
The marking of all components delivered to this specification shall be in accordance with the requirements of ESA/SCC Basic Specification No. 21700 and the following paragraphs. When the component is too small to accommodate all of the marking specified, as much as space permits shall be marked and the marking information, in full, shall accompany the component in its primary package.

The information to be marked and the order of precedence, shall be as follows:-

- (a) The SCC Component Number.
- (b) Electrical Characteristics and Ratings.
- (c) Traceability Information.

4.5.2 The SCC Component Number

The SCC Component Number shall be constituted and marked as follows:-



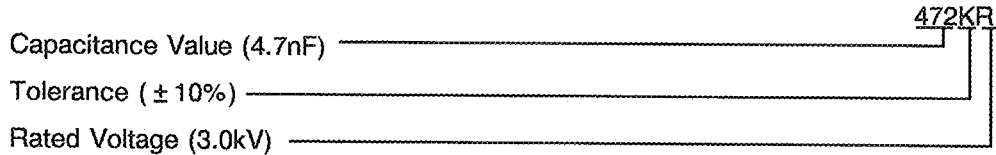


4.5.3 Electrical Characteristics and Ratings

The electrical characteristics and ratings to be marked in the following order of precedence are:-

- (a) Capacitance Value.
- (b) Tolerance.
- (c) Rated Voltage.

The information shall be constituted and marked as follows:-



4.5.3.1 Capacitance Values

The capacitance values shall be expressed by means of the following codes. The unit quantity for marking shall be picofarads.

Capacitance Value	Code
XX	XX0
XX10 <sup>1</sup>	XX1
XX10 <sup>2</sup>	XX2
XX10 <sup>3</sup>	XX3
XX10 <sup>4</sup>	XX4

4.5.3.2 Tolerances

The tolerances on capacitance values shall be indicated by the code letters specified hereafter.

Tolerance (±%)	Code Letter
10	K
20	M

4.5.3.3 Rated Voltage

The rated voltage shall be indicated by the code letters specified hereafter.

Rated Voltage (kV)	Code Letter
1.0	M
2.0	P
3.0	R
4.0	S
5.0	Z



#### 4.5.4 Traceability Information

Traceability information shall be marked in accordance with the requirements of ESA/SCC Basic Specification No. 21700.

#### 4.6 ELECTRICAL MEASUREMENTS

##### 4.6.1 Electrical Measurements at Room Temperature

The parameters to be measured at room temperature are scheduled in Table 2. Unless otherwise specified, measurements shall be performed at  $T_{amb} = +22 \pm 3$  °C.

##### 4.6.2 Electrical Measurements at High and Low Temperatures

The parameters to be measured at high and low temperatures are scheduled in Table 3. The measurements shall be performed at  $T_{amb} = +125(+0 - 5)$  and  $-55(+5 - 0)$  °C respectively.

##### 4.6.3 Circuits for Electrical Measurements

A circuit for use in performing the electrical measurements listed in Table 2 of this specification is shown in ESA/SCC Generic Specification No. 3001.

#### 4.7 BURN-IN TESTS

##### 4.7.1 Parameter Drift Values

The parameter drift values applicable to burn-in are specified in Table 4 of this specification. Unless otherwise stated, measurements shall be performed at  $T_{amb} = +22 \pm 3$  °C.

The parameter drift values ( $\Delta$ ) applicable to the parameters scheduled shall not be exceeded. In addition to these drift value requirements for a given parameter, the appropriate limit value specified in Table 2 shall not be exceeded.

##### 4.7.2 Conditions for Burn-in

The requirements for burn-in are specified in Section 7 of ESA/SCC Generic Specification No. 3001. The conditions for burn-in shall be as specified in Table 5 of this specification.

##### 4.7.3 Electrical Circuit for Burn-in (Figure 5)

Not applicable.





**TABLE 2 - ELECTRICAL MEASUREMENTS AT ROOM TEMPERATURE**

No.	Characteristics	Symbol	ESA/SCC 3001 Test Conditions	Limits		Unit
				Min	Max	
1	Capacitance	C	Para. 9.5.1.1	See Table 1(a)		nF
2	Tangent of Loss Angle	Tgδ	Para. 9.5.1.2	-	250	10 <sup>-4</sup>
3	Insulation Resistance	R <sub>i</sub> R <sub>i</sub> × C	Para. 9.5.1.3 C ≤ 10 000pF C > 10 000pF	100 1 000	- -	GΩ sec
4	Voltage Proof - Dielectric	VP	Para. 9.5.1.4 U <sub>R</sub> ≤ 1250V U <sub>R</sub> > 1250V	1.5U <sub>R</sub> 1.3U <sub>R</sub>	- -	V
5	Voltage Proof - Body Insulation	VP <sub>B</sub>	Para. 9.5.1.4 U <sub>R</sub> ≤ 1250V U <sub>R</sub> > 1250V (Note 1)	1.5U <sub>R</sub> 1.3U <sub>R</sub>	- -	V

**NOTES**

- 5 samples only. If 1 failure occurs out of 5 parts, then test 100%. 1% rejects allowed in the case of 100% testing.

**TABLE 3 - ELECTRICAL MEASUREMENTS AT HIGH AND LOW TEMPERATURES**

No.	Characteristics	Symbol	ESA/SCC 3001 Test Conditions	Limits		Unit	Remarks
				Min	Max		
3	Insulation Resistance at T <sub>amb</sub> = +125 ± 3 °C	R <sub>i</sub> R <sub>i</sub> × C	Para. 9.5.1.3 C ≤ 10 000pF C > 10 000pF	10 100	- -	GΩ sec	Note 1
6(i)	Temperature Characteristic	TCC	Para. 9.17 V <sub>T</sub> = 0V V <sub>T</sub> = 500V	- 20 - 50	+ 20 + 30	%	5 parts for each capacitance value Notes 2 and 4
6(ii)	Temperature Characteristic	TCC	Para. 9.17 V <sub>T</sub> = 0V V <sub>T</sub> = 500V	- 20 - 50	+ 20 + 30	%	5 parts for each fired ceramic lot Notes 3 and 4

**NOTES**

- Single sample: Inspection Level S3, AQL = 2.5%.
- Applicable to Level 'B' only.
- Applicable to Level 'C' only.
- If 1 failure occurs out of 5 parts, then test 100%. 1% rejects maximum allowed in the case of 100% testing.

**FIGURE 4 - CIRCUITS FOR ELECTRICAL MEASUREMENTS**

Not applicable.

**TABLE 4 - PARAMETER DRIFT VALUES**

No.	Characteristics	Symbol	Spec. and/or Test Method	Test Conditions	Change Limits ( $\Delta$ )	Unit
1	Capacitance Change	$\frac{\Delta C}{C}$	As per Table 2	As per Table 2	$\pm 10$	%

**TABLE 5 - CONDITIONS FOR BURN-IN AND OPERATING LIFE TESTS**

No.	Characteristic	Symbol	Condition	Unit
1	Ambient Temperature	$T_{amb}$	+ 125(+ 0 - 3)	°C
2	Test Voltage	$V_T$	$U_R \leq 1\ 250V: 1.3U_R$ $U_R > 1\ 250V: 1.0U_R$	V

**FIGURE 5 - ELECTRICAL CIRCUIT FOR BURN-IN AND OPERATING LIFE TESTS**

Not applicable.



- 4.8 ENVIRONMENTAL AND ENDURANCE TESTS (CHARTS IV AND V OF ESA/SCC GENERIC SPECIFICATION NO. 3001)
- 4.8.1 Measurements and Inspections on Completion of Environmental Tests  
The parameters to be measured and inspections to be performed on completion of environmental tests are scheduled in Table 6. Unless otherwise stated, the measurements shall be performed at  $T_{amb} = +22 \pm 3$  °C.
- 4.8.2 Measurements and Inspections at Intermediate Points during Endurance Tests  
The parameters to be measured and inspections to be performed at intermediate points during endurance tests are scheduled in Table 6. Unless otherwise stated, the measurements shall be performed at  $T_{amb} = +22 \pm 3$  °C.
- 4.8.3 Measurements and Inspections on Completion of Endurance Tests  
The parameters to be measured and inspections to be performed on completion of endurance testing are scheduled in Table 6. Unless otherwise stated, the measurements shall be performed at  $T_{amb} = +22 \pm 3$  °C.
- 4.8.4 Conditions for Operating Life Tests (Part of Endurance Testing)  
The requirements for operating life testing are specified in Section 9 of ESA/SCC Generic Specification No. 3001. The conditions for operating life testing shall be as specified in Table 5 for the burn-in test
- 4.8.5 Electrical Circuit for Operating Life Tests (Figure 5)  
Not applicable.



**TABLE 6 - MEASUREMENTS AND INSPECTIONS ON COMPLETION OF ENVIRONMENTAL TESTS AND AT INTERMEDIATE POINTS AND ON COMPLETION OF ENDURANCE TESTING**

NO.	ESA/SCC GENERIC SPEC.NO. 3001		MEASUREMENTS AND INSPECTIONS		SYMBOL	LIMITS		UNIT
	ENVIRONMENTAL AND ENDURANCE TESTS (1)	TEST METHOD AND CONDITIONS	IDENTIFICATION	CONDITIONS		MIN.	MAX.	
01	Robustness of Terminations	Para. 9.7 and Para. 4.2.1 of this specification	Visual Examination	-	-	-	-	-
02	Resistance to Soldering Heat	Para. 9.8	Initial Measurements Capacitance	Table 2 Item 1	C	Table 2 Item 1		%
			Final Measurements Capacitance Change Insulation Resistance	After a recovery period of 24 ± 2 hours Table 2 Item 1 Table 2 Item 3	ΔC/C Ri or Ri × C	- 15	+ 15	
03	Solderability	Para. 9.9	Visual Examination	-	-	-	-	-
04	Rapid Change of Temperature	Para. 9.10	Initial Measurements Capacitance	Table 2 Item 1	C	Table 2 Item 1		%
			Final Measurements Visual Examination Capacitance Change Tangent of Loss Angle	After a recovery period of 24 ± 2 hours - Table 2 Item 1 Table 2 Item 2	- ΔC/C Tgδ	- 10	+ 10	
05	Vibration	Para. 9.11	During Last Cycle Intermittent Contact	Para. 9.11.3 Open or Shorts	-	-	-	-
			After Test Visual Examination	-	-	-	-	-
06	Shock or Bump	Para. 9.12	Visual Examination	-	-	-	-	-
07	Climatic Sequence	Para. 9.13	Initial Measurements Capacitance	Table 2 Item 1	C	Table 2 Item 1		%
			Final Measurements	After a recovery period of 1 to 24 hours	-	-	-	
			External Visual Inspection	Para. 9.3 of ESA/SCC 3001	-	-	-	
			Capacitance Change	Table 2 Item 1	ΔC/C	- 10	+ 10	
Tangent of Loss Angle	Table 2 Item 2	Tgδ	2 × Table 2 Item 2					
Insulation Resistance	Table 2 Item 3	Ri or Ri × C	3.0	-	GΩ			
Voltage Proof - Body Insulation	Table 2 Item 5	VP <sub>B</sub>	30	-	sec			
						Table 2 Item 5		

**NOTES**

1. The tests in this Table refer to either Chart IV or V and shall be used as applicable.



**TABLE 6 - MEASUREMENTS AND INSPECTIONS ON COMPLETION OF ENVIRONMENTAL TESTS AND AT INTERMEDIATE POINTS AND ON COMPLETION OF ENDURANCE TESTING (CONT'D)**

NO.	ESA/SCC GENERIC SPEC.NO. 3001		MEASUREMENTS AND INSPECTIONS		SYMBOL	LIMITS		UNIT
	ENVIRONMENTAL AND ENDURANCE TESTS (1)	TEST METHOD AND CONDITIONS	IDENTIFICATION	CONDITIONS		MIN.	MAX.	
08	Damp Heat, Steady State	Para. 9.14	<b>Initial Measurements</b> Capacitance <b>Final Measurements</b> Visual Examination Capacitance Change Tangent of Loss Angle Insulation Resistance Voltage Proof - Body Insulation	Table 2 Item 1 After a recovery period of 6 to 24 ± 2 hours - Table 2 Item 1 Table 2 Item 2 Table 2 Item 3 Table 2 Item 5	C - ΔC/C Tgδ Ri or Ri × C VP <sub>B</sub>	Table 2 Item 1 - - 10 + 10 2 × Table 2 Item 2 3.0 - 30 - Table 2 Item 5	- - % GΩ sec	
09	Operating Life	Para. 9.15 Change limits relate to initial (0- hour) measurements	<b>Initial Measurements</b> Capacitance <b>Intermediate Measurements</b> Capacitance Change Insulation Resistance <b>Final Measurements</b> Capacitance Change Tangent of Loss Angle Insulation Resistance Voltage Proof - Dielectric Voltage Proof - Body Insulation Visual Examination	Table 2 Item 1 After a recovery period of 24 ± 2 hours Table 2 Item 1 Table 2 Item 3 After a recovery period of 24 ± 2 hours Table 2 Item 1 Table 2 Item 2 Table 2 Item 3 Table 2 Item 4 Table 2 Item 5 -	C - ΔC/C Ri or Ri × C - ΔC/C Tgδ Ri or Ri × C VP VP <sub>B</sub> -	Table 2 Item 1 - 10 + 10 10 - 100 - - 10 + 10 2 × Table 2 Item 2 10 - 100 - Table 2 Item 4 Table 2 Item 5 - -	- % GΩ sec % GΩ sec - -	
10	Temperature Characteristic	Para. 9.17	Temperature Characteristic	Table 3 Item 6(i) or 6(ii)	TCC	Table 3 Item 6(i) or 6(ii)	%	

**NOTES**

1. The tests in this Table refer to either Chart IV or V and shall be used as applicable.



SCC

ESA/SCC Detail Specification  
No. 3001/036

PAGE 22

ISSUE 1

APPENDIX 'A'

Page 1 of 1

AGREED DEVIATIONS FOR TEKELEK TEMEX (F)

ITEMS AFFECTED	DESCRIPTION OF DEVIATIONS	
Para. 4.2.1	The selection of sample for micro-sectioning examination may be performed as follows.	
	Case Size	Number of Devices
	1515	10
	2020	10
	2520	8
	3333	8
	5440	6