



europaean space agency
agence spatiale européenne

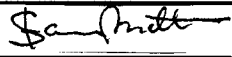
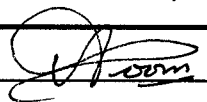
Pages 1 to 26

**RF COAXIAL CONNECTORS,
BLIND-MATE SLIDE-ON,
BASED ON TYPE SBMA
(MALE CONTACT)**

ESA/SCC Detail Specification No. 3402/011



**space components
coordination group**

Issue/Rev.	Date	Approved by	
		SCCG Chairman	ESA Director General or his Deputy
Issue 2	May 1998		



SCC

ESA/SCC Detail Specification
No. 3402/011

PAGE 2



ISSUE 2

DOCUMENTATION CHANGE NOTICE

Rev. Letter	Rev. Date	Reference	CHANGE Item	Approved DCR No.
		This Issue supersedes Issue 1 and incorporates all modifications defined in Revisions 'A', 'B' and 'C' to Issue 1 and the changes agreed by the following DCRs:-		
		Cover page		None
		DCN		None
		Table 1(b)	: No. 5, Remarks deleted	23889
		Figure 1(c)	: Deleted in toto	23889
		Para. 4.4.1	: Items (a), (b) and (c) amended	21098/ 221467
		Para. 4.4.2	: Items (a), (b), (c), (e) and (f) amended	21098/ 221467
			: Item (h) amended	221459
		Table 6	: Table restructured and "Plating Thickness" added	23889

**TABLE OF CONTENTS**

	<u>Page</u>
1. <u>GENERAL</u>	5
1.1 Scope	5
1.2 Component Type Variants	5
1.3 Maximum Ratings	5
1.4 Parameter Derating Information	5
1.5 Physical Dimensions	5
1.6 Standard Test Connector Interface	5
2. <u>APPLICABLE DOCUMENTS</u>	5
3. <u>TERMS, DEFINITIONS, ABBREVIATIONS, SYMBOLS AND UNITS</u>	5
4. <u>REQUIREMENTS</u>	10
4.1 General	10
4.2 Deviations from Generic Specification	10
4.2.1 Deviations from Special In-process Controls	10
4.2.2 Deviations from Final Production Tests	10
4.2.3 Deviations from Burn-in Tests	10
4.2.4 Deviations from Qualification Tests	10
4.2.5 Deviations from Lot Acceptance Tests	10
4.3 Mechanical Requirements	10
4.3.1 Dimension Check	10
4.3.2 Weight	10
4.3.3 Coupling Proof Torque	10
4.3.4 Cable Retention Force	11
4.3.5 Mating and Unmating Forces	11
4.3.6 Endurance	11
4.3.7 Residual Magnetism	11
4.3.8 Contact Engagement and Separation Forces	11
4.3.9 Contact Retention	11
4.3.10 Axial Separation between Mating Reference Planes	11
4.3.11 Radial Misalignment	12
4.4 Materials and Finishes	13
4.4.1 Stainless Steel Versions	13
4.4.2 Hermetic Versions	13
4.5 Marking	14
4.5.1 General	14
4.5.2 The SCC Component Number	14
4.5.3 Characteristics	15
4.5.4 Traceability Information	16
4.5.5 Marking of Small Components	16
4.6 Electrical Measurements	16
4.6.1 Electrical Measurements at Room Temperature	16
4.6.2 Electrical Measurements at High and Low Temperatures	16
4.6.3 Circuits for Electrical Measurements	16
4.7 Burn-in Tests	16
4.8 Environmental and Endurance Tests	17
4.8.1 Measurements and Inspections on Completion of Environmental Tests	17
4.8.2 Measurements and Inspections at Intermediate Points during Endurance Tests	17
4.8.3 Measurements and Inspections on Completion of Endurance Tests	17
4.8.4 Conditions for Operating Life Tests	17
4.8.5 Electrical Circuits for Operating Life Tests	17
4.8.6 Conditions for High Temperature Storage Test	17

		<p style="text-align: center;">ESA/SCC Detail Specification No. 3402/011</p>		<p>PAGE 4 ISSUE 2</p>
---	---	--	--	---------------------------

TABLES

	<u>Page</u>
1(a) Type Variants	6
1(b) Maximum Ratings	6
2 Electrical Measurements at Room Temperature	17
3 Not applicable	N/A
4 Not applicable	N/A
5 Not applicable	N/A
6 Measurements and Inspections on Completion of Environmental and Endurance Tests	18

FIGURES

1 Parameter Derating Information	7
2 Physical Dimensions	8
2(a) Male Connector Interface	8
2(b) Variants	20
3 Standard Test Connector Interface - Female Contact	9
4 Axial Separation	11
5 Radial Misalignment	12

APPENDICES (Applicable to specific Manufacturers only)

None.

**1. GENERAL****1.1 SCOPE**

This specification details the ratings, physical and electrical characteristics, test and inspection data for RF Coaxial Connectors, Blind-Mate, Slide-On, based on Type SBMA (Male Contact). It shall be read in conjunction with ESA/SCC Generic Specification No. 3402, the requirements of which are supplemented herein.

1.2 COMPONENT TYPE VARIANTS

A list of the type variants of the connectors specified herein, which are also covered by this specification, is given in Table 1(a).

For each type variant, the full electrical and physical characteristics are given in individual Figures 2(b) at the end of this specification.

1.3 MAXIMUM RATINGS

The maximum ratings, which shall not be exceeded at any time during use or storage, applicable to the connectors specified herein, are as scheduled in Table 1(b).

1.4 PARAMETER DERATING INFORMATION

The derating information applicable to the connectors specified herein is shown in Figure 1.

1.5 PHYSICAL DIMENSIONS

The physical dimensions of the connectors specified herein are shown in Figures 2(a) and 2(b).

1.6 STANDARD TEST CONNECTOR INTERFACE

Whenever gauges are required for mating with the connectors under test, their physical dimensions shall be in accordance with those specified in Figure 3.

2. APPLICABLE DOCUMENTS

The following documents form part of this specification and shall be read in conjunction with it:-

- (a) ESA/SCC Generic Specification No. 3402 for RF Coaxial Connectors.
- (b) MIL-G-45204, Gold Plating, Electrodeposited.

3. TERMS, DEFINITIONS, ABBREVIATIONS, SYMBOLS AND UNITS

For the purpose of this specification, the terms, definitions, abbreviations, symbols and units specified in ESA/SCC Basic Specification No. 21300 shall apply.



TABLE 1(a) - TYPE VARIANTS

VARIANT	DESCRIPTION
01	Straight Bulkhead Receptacle for S-R Cable Ø2.20mm
02	Square Flange Mount Receptacle With EMI Gasket & Glass Seal Ø Contact 0.30mm
03	Two Hole Flange Mount Receptacle With EMI Gasket & Glass Seal Contact Ø0.30mm
04	Solder Type Panel Hermetic Receptacle
05	Screw Type Panel Receptacle & Glass Seal Ø Contact 0.30mm
06	Screw Type Panel Hermetic Receptacle
07	Two-hole flange mount receptacle with EMI gasket

TABLE 1(b) - MAXIMUM RATINGS

No.	CHARACTERISTICS	SYMBOL	MAXIMUM RATINGS	UNIT	REMARKS
1	Peak Power at +25°C	P _{max}	1.0	kW	1.0µs
2	Rated Power (Continuous)	P	0.8	kW	See Figures 1(a) and 1(b)
3	Nominal Impedance	Z	50	Ω	-
4	Frequency Range	f	See Figure 2(b)	GHz	-
5	Voltage Rating (Continuous)	U _R	250	V _{rms}	-
6	Operating Temperature Range	T _{op}	-65 to +105	°C	T _{amb}
7	Storage Temperature Range	T _{stg}	As per Operating Temperature Range	°C	-



FIGURE 1 - PARAMETER DERATING INFORMATION

FIGURE 1(a) - POWER VERSUS TEMPERATURE

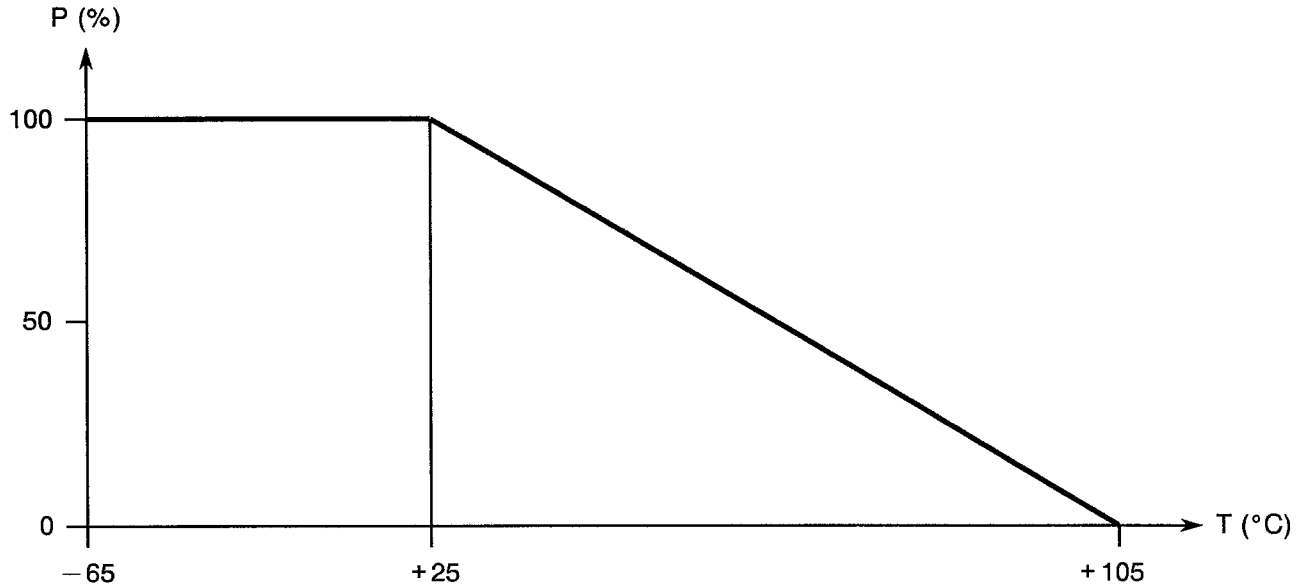


FIGURE 1(b) - POWER VERSUS FREQUENCY

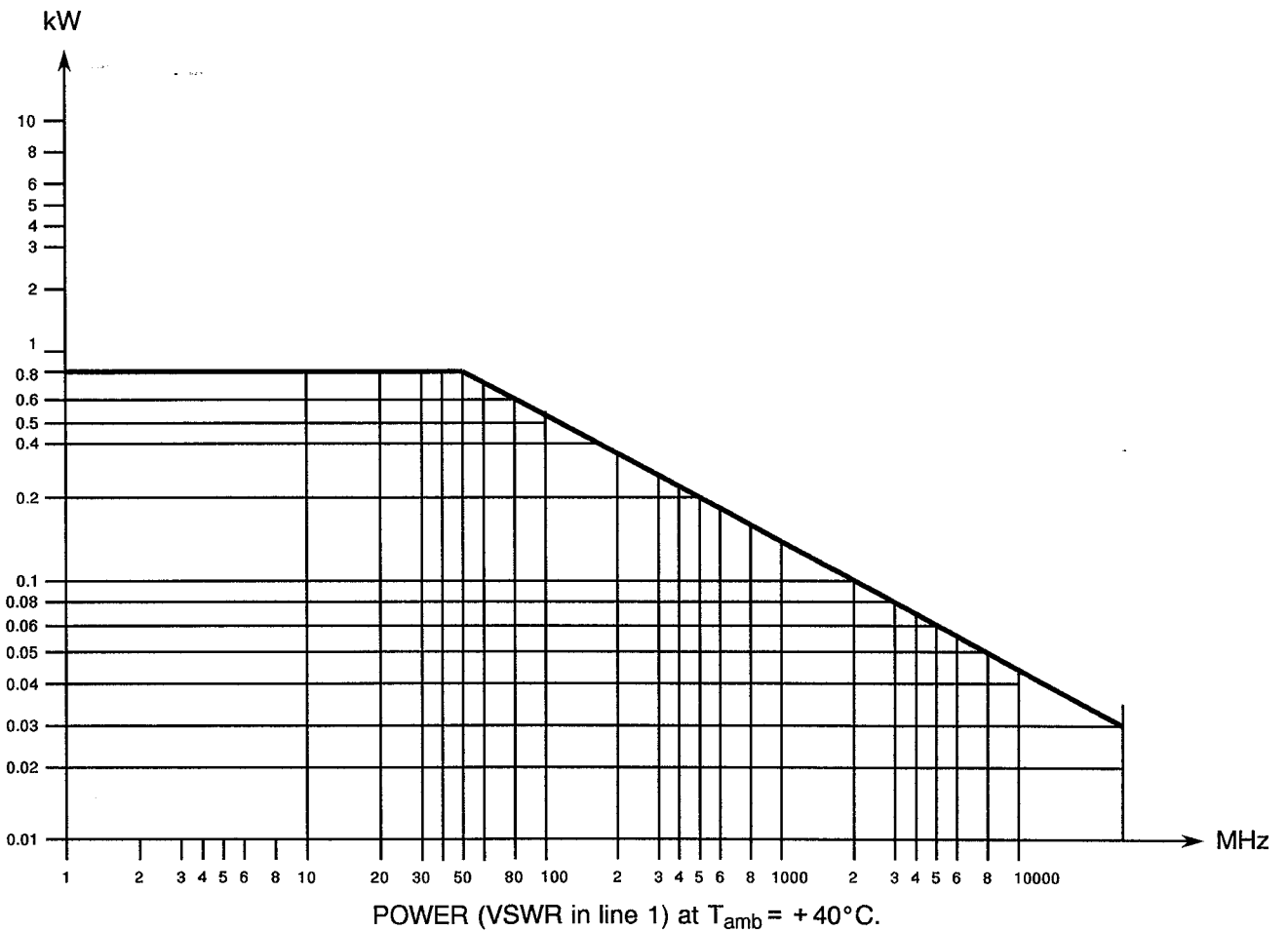
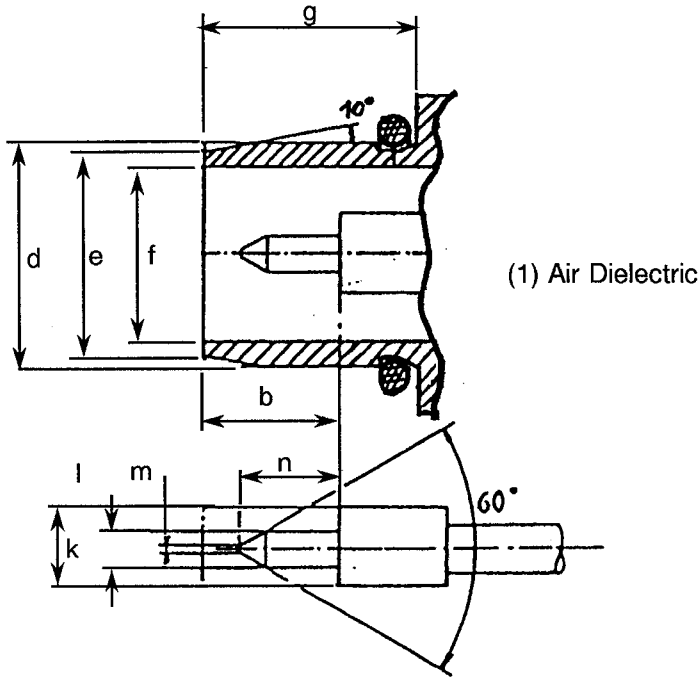


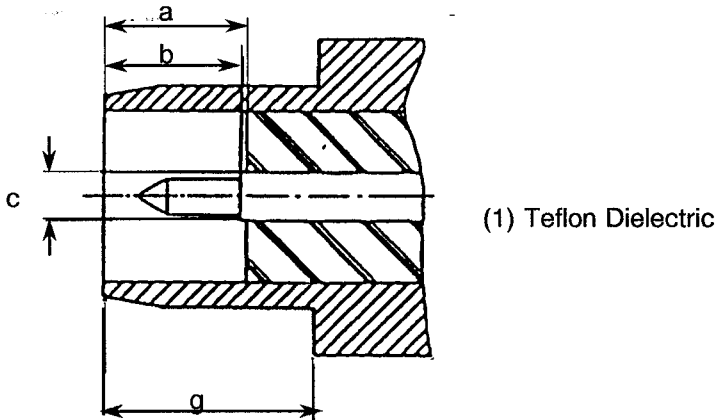


FIGURE 2 - PHYSICAL DIMENSIONS

FIGURE 2(a) - MALE CONNECTOR INTERFACE



SYMBOL	MILLIMETRES	
	MIN.	MAX.
a	3.35	3.48
b	3.25	3.35
c	0.86	0.88
d	3.51	3.56
e	3.18	3.32
f	2.78 nom	
g	5.03	
k	1.21 nom	
l	0.50	0.53
m	0.10	0.20
n	2.54	



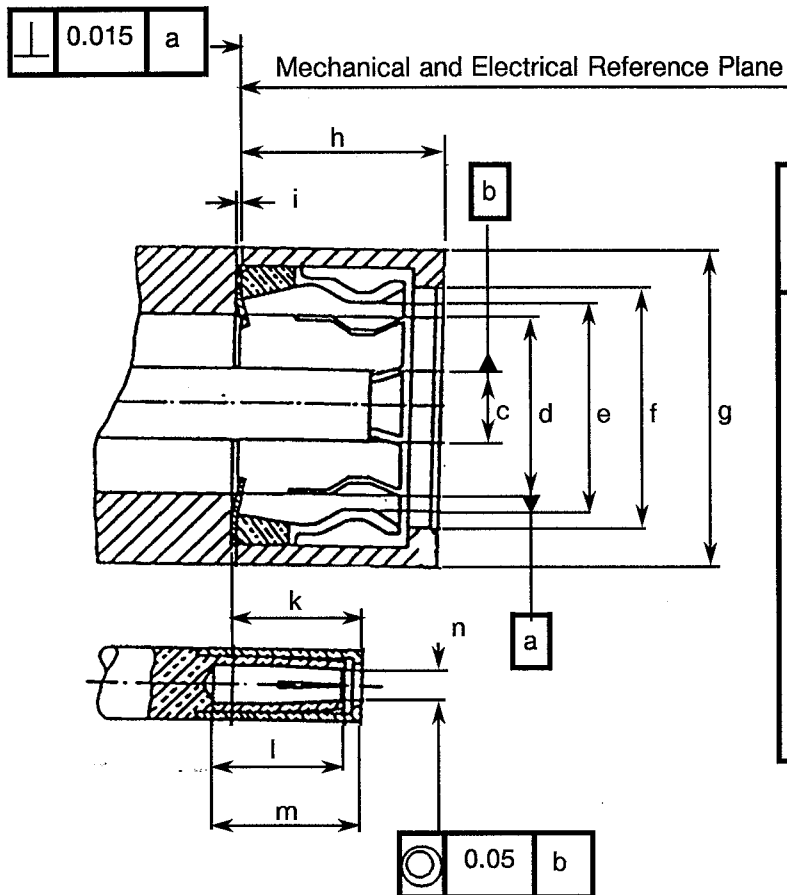
NOTES

- Optional Design see Figures 2(b) for applicability.



FIGURE 3 - STANDARD TEST CONNECTOR INTERFACE

FEMALE CONTACT



SYMBOL	MILLIMETRES		NOTES
	MIN.	MAX.	
c	1.20	1.22	
d	2.765	2.795	
e	-	-	2
f	3.90	3.96	
g	5.40	-	
h	-	5.03	1
i	0.04	0.06	
k	3.12	3.22	1
l	2.80	-	
m	3.00	-	
n	-	-	3

NOTES

1. With spring finger bottomed.
2. Flange to meet engagement/separation forces.
3. Dimension to meet VSWR mating characteristics and connector durability when mated with 0.50 to 0.53 diameter pin.

**4. REQUIREMENTS****4.1 GENERAL**

The complete requirements for procurement of the connectors specified herein are stated in this specification and ESA/SCC Generic Specification No. 3402. Deviations from the Generic Specification applicable to this specification only, are listed in Para. 4.2.

Deviations from the applicable Generic Specification and this Detail Specification, formally agreed with specific Manufacturers on the basis that the alternative requirements are equivalent to the ESA/SCC requirements and do not affect the components' reliability, are listed in the appendices attached to this specification.

4.2 DEVIATIONS FROM GENERIC SPECIFICATION**4.2.1 Deviations from Special In-process Controls**

None.

4.2.2 Deviations from Final Production Tests (Chart II)

(a) Para. 9.4, Coupling Proof Torque: Not applicable.

4.2.3 Deviations from Burn-in Tests (Chart III)

Not applicable.

4.2.4 Deviations from Qualification Tests (Chart IV)

(a) Para. 9.4, Coupling Proof Torque: Not applicable.

(b) Para. 9.16, Voltage Standing Wave Ratio (VSWR): the measurement shall also be performed under the conditions specified in Paras. 4.3.10 and 4.3.11 of this specification.

(c) Para. 9.19, RF Insertion Loss: the measurement shall also be performed under the conditions specified in Paras. 4.3.10 and 4.3.11 of this specification.

(d) Para. 9.21, Residual Magnetism: Not applicable.

4.2.5 Deviations from Lot Acceptance Tests (Chart V)

(a) Para. 9.4, Coupling Proof Torque: Not applicable.

4.3 MECHANICAL REQUIREMENTS**4.3.1 Dimension Check**

The dimensions of the connectors specified herein shall be verified in accordance with the requirements set out in Para. 9.25 of ESA/SCC Generic Specification No. 3402 and shall conform to those shown in Figures 2(a) and 2(b) of this specification.

4.3.2 Weight

The maximum weight of the connectors specified herein shall be as specified in Figure 2(b).

4.3.3 Coupling Proof Torque

Not applicable.



4.3.4 Cable Retention Force

The requirements for testing of the cable retention force are specified in Section 9 of ESA/SCC Generic Specification No. 3402. Figure 2(b) specifies the values for axial loads. Torque shall be applied as follows.

4.3.4.1 Flexible Cables

Not applicable.

4.3.4.2 Semi-rigid Cables

The torque value shall be as follows:

- RG 405/U : 11.28N.cm.
- RG 402/U : 38.85N.cm.

4.3.5 Mating and Unmating Forces

Not applicable.

4.3.6 Endurance

The applicable test requirements are specified in Section 9 of ESA/SCC Generic Specification No. 3402. The test conditions shall be as follows:-

- (a) Number of cycles : 500 for qualification; 100 for lot acceptance.
- (b) Rate : 12 cycles maximum/minute.

4.3.7 Residual Magnetism

Not applicable.

4.3.8 Contact Engagement and Separation Forces

Not applicable.

4.3.9 Contact Retention

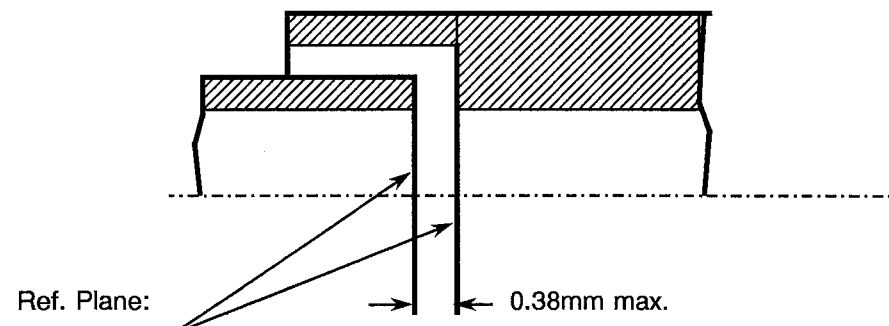
The requirements for this test are specified in Section 9 of ESA/SCC Generic Specification No. 3402. The test conditions are given in Figure 2(b). After testing, the connector interface dimensions shall be within the limits of Figure 2(a).

4.3.10 Axial Separation Between Mating Reference Planes (Figure 4)

- Rigidly mount receptacle and jack

To maintain the electrical and environmental performances, the connector reference planes should be within 0.38mm max.

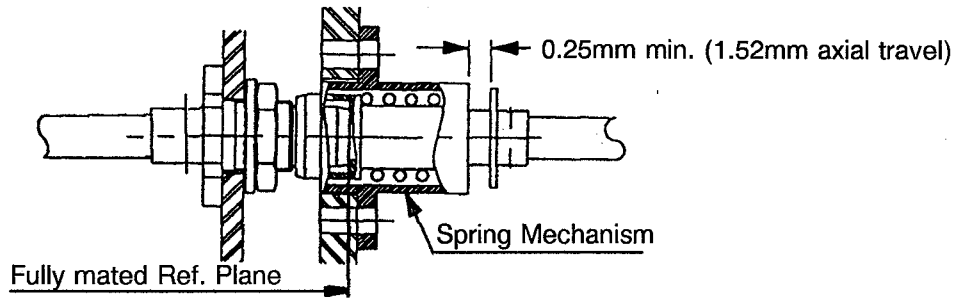
FIGURE 4(a)



- Rigidly mount receptacle and float mounted jack

The float mounting allows a total of 1.52mm axial travel. The mounting arrangements should however ensure a minimum length of travel of 0.25mm (0.76mm preferred) to ensure full length of engagement is maintained, under operational conditions.

FIGURE 4(b)



4.3.11 Radial Misalignment (Figure 5)

The location of the Mountings of each pair of mating connectors must be defined relative to a common datum, such as the centre line of a dowel/dowel hole or "reference connector pair". The location must be controlled to ensure that at the point of initial engagement, the radial misalignment of the centre lines of the mating connectors from their true position does not exceed the following limits:

FIGURE 5(a)

Rigidly mounted: receptacle and jack

Radial misalignment 0.076mm max

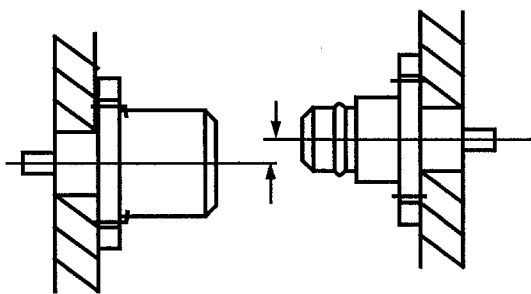
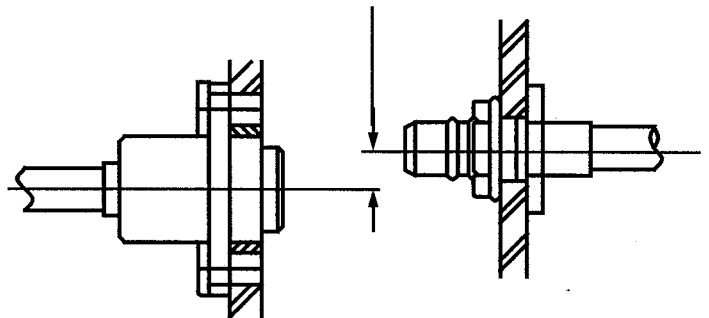


FIGURE 5(b)

Rigidly mounted: receptacle and float mounted jack

Radial misalignment 0.51mm max





4.4 MATERIALS AND FINISHES

The materials and finishes shall be as specified herein. Where a definite material is not specified, a material which will enable the connectors specified herein to meet the performance requirements of this specification shall be used. Acceptance or approval of any constituent material does not guarantee acceptance of the finished product.

4.4.1 Stainless Steel Versions

(a) Shell

- For solderable connectors

Material : Amagnetic stainless steel, electro-passivated.
Underplate : Nickel, 2.0 μ m minimum.
Plating : Gold, 1.27 μ m minimum, Type 2 Grade C of MIL-G-45204.

- For non-solderable connectors

Material : Electro-passivated amagnetic stainless steel.

(b) Centre Contact

Material : Brass. When rear contact is female (see Figures 2(b)) centre contact is made of beryllium copper.
Underplate : Nickel, 2.0 μ m minimum.
Plating : Gold, 1.27 μ m minimum, Type 2 Grade C of MIL-G-45204.

(c) Inserts

Material : PTFE.

(d) Gasket

Material : Silicone.

(e) Accessories

- Nut

Material : Brass
Plating : Nickel, 2.0 μ m minimum.

- Washer

Material : Beryllium copper
Plating : Nickel, 2.0 μ m minimum.

(f) Conductive Gasket (Used for non solder-type versions)

Material : Silicone with silver-copper particles.

4.4.2 Hermetic Versions

(a) Shell

- For solderable connectors

Material : Amagnetic stainless steel, electro-passivated.
Underplate : Nickel, 2.0 μ m minimum.
Plating : Gold, 1.27 μ m minimum, Type 2 Grade C of MIL-G-45204.

- For non-solderable connectors

Material : Electro-passivated amagnetic stainless steel.



(b) Centre Contact

- Material : Brass. When rear contact is female (see Figures 2(b)) centre contact is made of beryllium copper.
- Underplate : Nickel, 2.0µm minimum.
- Plating : Gold, 1.27µm minimum, Type 2 Grade C of MIL-G-45204.

(c) Inserts

- Material : PTFE.

(d) Gasket

- Material : Silicone.

(e) Shell of Glass Bead

- Material : FN 42 (Ferro-nickel).
- Underplate : Nickel, 2.0µm minimum.
- Plating : Gold, 1.27µm minimum, Type 2 Grade C of MIL-G-45204.

(f) Centre Contact of Glass Bead

- Material : FN 42 (Ferro-nickel).
- Underplate : Nickel, 2.0µm minimum.
- Plating : Gold, 1.27µm minimum, Type 2 Grade C of MIL-G-45204.

(g) Insert of Glass Bead

- Material : Glass.

(h) Compression Gasket (Used for non-solder-type versions)

- Material : Aluminium alloy with an appropriate protection.

4.5 MARKING

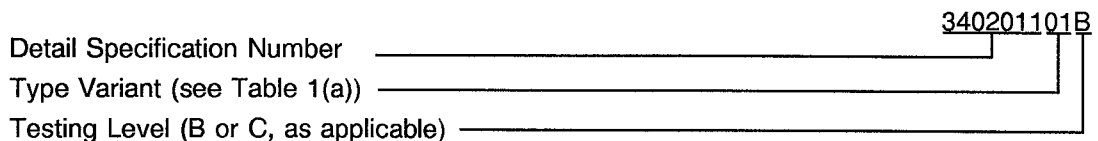
4.5.1 General

The marking of all components delivered to this specification shall be in accordance with the requirements of ESA/SCC Basic Specification No. 21700 and the following paragraphs. Each component shall be marked in respect of:-

- (a) The SCC Component Number.
- (b) Characteristics.
- (c) Traceability Information.

4.5.2 The SCC Component Number

Each component shall bear the SCC Component Number which shall be constituted and marked as follows:





4.5.3 Characteristics

Characteristics cover the type of plating/material and 2 different dimensional aspects:-

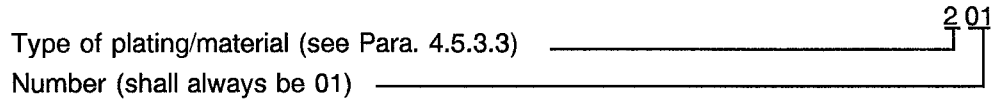
- (a) Variants of fixed configuration.
- (b) Variants where the rear end (length of contact A and length of insert B) may vary within a range limited by a specified maximum value.

4.5.3.1 Variants of Fixed Configuration

Each component shall be marked in respect of:-

- (a) Type of plating/material.
- (b) Number.

The information shall be constituted and marked as follows:

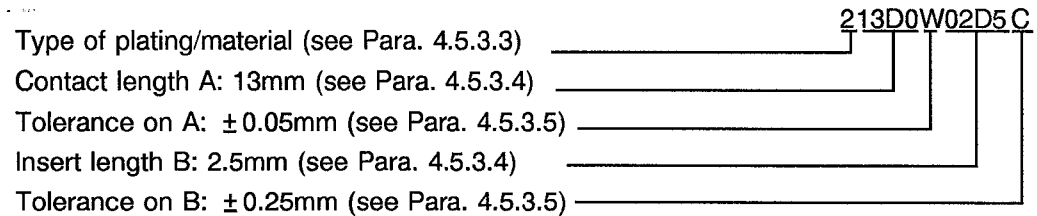


4.5.3.2 Variants where Dimensions A and B of Figure 2(b) are Indicated by a Maximum Only

Each component shall be marked in respect of:-

- (a) Type of plating/material.
- (b) Length and tolerance of centre contact (dimension A).
- (c) Length and tolerance of insert (dimension B).

The information shall be constituted and marked as follows:



NOTES

1. Dimension A shall always be greater than B. Both values shall always be positive.
2. When dimension B (insert) is flush with the flange (B=0), the insert length shall be marked 00D0 with the appropriate tolerance.
3. When applicable, Figure 2(b) makes reference to Para. 4.5.3.

4.5.3.3 Type of Plating/Material

The type of plating/material shall be identified by means of the following codes.

CODE	TYPE OF PLATING/MATERIAL	PARA.
2	Gold plate, nickel underplate	4.4.1
3	Amagnetic stainless steel	4.4.2

For hermetic types (see Para. 4.4.2), only plating code 2 is available.



4.5.3.4 Length Values

Length values shall be expressed by means of the following codes.

The unit quantity for marking shall be millimetres.

LENGTH VALUE	CODE
XX.X	XXDX

4.5.3.5 Tolerance

The tolerances on length values shall be indicated by the letter codes specified hereafter.

TOLERANCE (mm)	CODE LETTER
± 0.05	W
± 0.10	B
± 0.25	C

4.5.4 Traceability Information

Each component shall be marked in respect of traceability information in accordance with the requirements of ESA/SCC Basic Specification No. 21700.

4.5.5 Marking of Small Components

When it is considered that the component is too small to accommodate the marking as specified above, as much as space permits shall be marked. The order of precedence shall be as specified in Para. 4.5.1. The marking information in full shall accompany each component in its primary package.

4.6 ELECTRICAL MEASUREMENTS

4.6.1 Electrical Measurements at Room Temperature

The parameters to be measured in respect of electrical characteristics are scheduled in Table 2. Unless otherwise specified, the measurements shall be performed at $T_{amb} = +22 \pm 3$ °C.

4.6.2 Electrical Measurements at High and Low Temperatures (Table 3)

Not applicable.

4.6.3 Circuits for Electrical Measurements

Not applicable.

4.7 BURN-IN TESTS (TABLES 4 AND 5)

Not applicable.

TABLE 2 - ELECTRICAL MEASUREMENTS AT ROOM TEMPERATURE

No.	CHARACTERISTICS	SYMBOL	SPEC. AND/OR TEST METHOD	TEST CONDITIONS	LIMITS		UNIT
					MIN	MAX	
1	Insulation Resistance	R _i	ESA/SCC 3402, Para. 9.1	500 Vdc	1000	-	MΩ
2	Voltage Proof Leakage Current	I _L	ESA/SCC 3402, Para. 9.2	See Figure 2(b)	-	2.0	mA

TABLES 3, 4 AND 5

Not applicable.

4.8 ENVIRONMENTAL AND ENDURANCE TESTS (CHARTS IV AND V OF ESA/SCC GENERIC SPECIFICATION NO. 3402)

4.8.1 Measurements and Inspections on Completion of Environmental Tests

The parameters to be measured and inspections to be performed on completion of environmental tests are scheduled in Table 6 of this specification. Unless otherwise stated, the measurements shall be performed at T_{amb} = +22 ± 3 °C.

4.8.2 Measurements and Inspections at Intermediate Points during Endurance Tests

Not applicable.

4.8.3 Measurements and Inspections on Completion of Endurance Tests

The parameters to be measured and inspections to be performed on completion of endurance tests are scheduled in Table 6 of this specification. Unless otherwise stated, the measurements shall be performed at T_{amb} = +22 ± 3 °C.

4.8.4 Conditions for Operating Life Tests (Part of Endurance Testing)

Not applicable.

4.8.5 Electrical Circuits for Operating Life Tests

Not applicable.

4.8.6 Conditions for High Temperature Storage Test (Part of Endurance Testing)

The requirements for the high temperature storage test are specified in Section 9 of ESA/SCC Generic Specification No. 3402. The conditions for high temperature storage shall be the maximum operating temperature as specified in Figure 2(b).



TABLE 6 - MEASUREMENTS AND INSPECTIONS ON COMPLETION OF ENVIRONMENTAL AND ENDURANCE TESTS

NO.	ESA/SCC GENERIC SPEC. NO. 3402		MEASUREMENTS AND INSPECTIONS		SYMBOL	LIMITS		UNIT
	ENVIRONMENTAL AND ENDURANCE TESTS (1)	TEST METHOD AND CONDITIONS	IDENTIFICATION	CONDITIONS		MIN.	MAX.	
01	Coupling Proof Torque	Para. 9.4	Not applicable					
02	Mating and Unmating Forces (Female Connector Only)	Para. 9.5.3	Not applicable					
03	Seal Test	Para. 9.7	Hermeticity Leakage	If applicable As applicable	- -	- No Bubbles	1.10 ⁻⁸	cm ³ /s
04	External Visual Inspection	Para. 9.8	External Visual Inspection	Para. 9.8 of ESA/SCC 3402	-	-	-	
05	Contact Resistance	Para. 9.9 6V 10mA	During Test Contact Resistance	Centre Contact Shell Hermetic Centre Contact	- - -	- - -	8.0 3.0 22	mΩ mΩ mΩ
06	Vibration	Para. 9.10	During Test Electrical Measurements Final Measurements Visual Examination Contact Resistance	Last cycle in each direction Intermittent contact ≥ 10ms No open or short circuits Full engagement maintained and no evidence of damage Centre Contact (6V 10mA)	- - - -	- - - -	- - - 8.0	 mΩ
07	Shock or Bump	Para. 9.11	Final Measurements Visual Examination Contact Resistance	Full engagement maintained and no evidence of damage Centre Contact (6V 10mA)	- -	- -	- 8.0	 mΩ
08	Rapid Change of Temperature	Para. 9.12	Final Measurements Visual Examination Contact Resistance Voltage Proof Leakage Current	After a recovery period of 24 ± 2 hrs Centre Contact (6V 10mA) Figure 2(b)	- - I _L	- - Table 2 Item 2	- 8.0	 mΩ
09	Climatic Sequence	Para. 9.13	During Test Voltage Proof Final Measurements External Visual Inspection Insulation Resistance Voltage Proof Leakage Current	At Low Air Pressure 0.1 x value of Figure 2(b) After final Damp Heat cycle (within 1 to 24 hrs recovery) Para. 9.8 of ESA/SCC 3402 Table 2 Item 1 Figure 2(b)	VP - R _i I _L	No flashover or breakdown - Table 2 Item 2	- - 200 Table 2 Item 2	 MΩ
10	Cable Retention Force	Para. 9.14 and Para. 4.3.4 of this spec.	During Test Continuity Visual Examination	- No mechanical failure, loosening or rupture	- -	- -	- -	
11	Cabling and Crimping Capability	Para. 9.15	Visual Examination Dimensions Insulation Resistance Voltage Proof Leakage Current	Para. 9.15 of ESA/SCC 3402 Para. 9.15 of ESA/SCC 3402 Table 2 Item 1 Figure 2(b)	- - R _i I _L	- - Fig. 2(a) & 2(b) Table 2 Item 1 Table 2 Item 2	- -	

NOTES

1. The tests in this table refer to either Chart IV or V and shall be used as applicable.

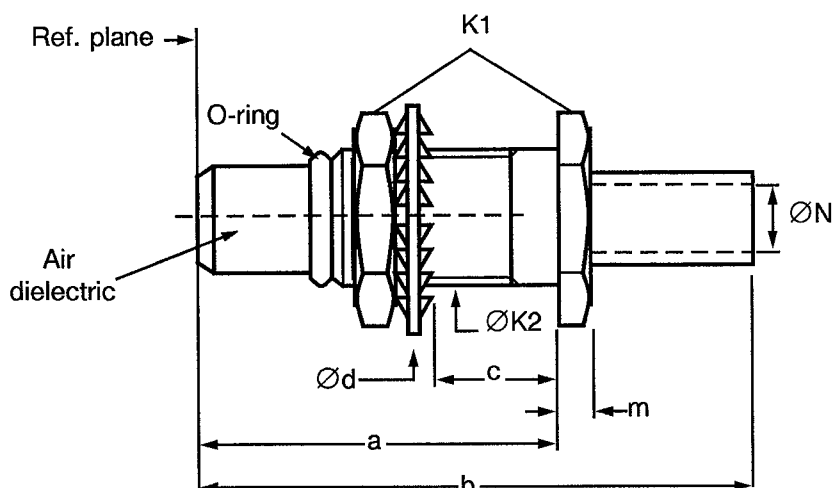


TABLE 6 - MEASUREMENTS AND INSPECTIONS ON COMPLETION OF ENVIRONMENTAL AND ENDURANCE TESTS (CONTINUED)

NO.	ESA/SCC GENERIC SPEC. NO. 3402		MEASUREMENTS AND INSPECTIONS		SYMBOL	LIMITS		UNIT
	ENVIRONMENTAL AND ENDURANCE TESTS (1)	TEST METHOD AND CONDITIONS	IDENTIFICATION	CONDITIONS		MIN.	MAX.	
12	VSWR or Reflection Coefficient	Para. 9.16 and Para. 4.2.4 of this spec.	VSWR	Para. 9.16 of ESA/SCC 3402	-	Figure 2(b)		
13	Corona Level	Para. 9.17	Corona	Para. 9.17 of ESA/SCC 3402	-	Figure 2(b)		
14	Endurance	Para. 9.18 and Para. 4.3.6 of this spec.	Final Measurements Mating/Unmating Forces Contact Resistance Visual Examination	Not applicable Centre Contact (6V 10mA) Shell (6V 10mA) Hermetic Centre Contact (6V 10mA) Para. 9.18 of ESA/SCC 3402	- - - -	- - - -	10 5.0 27 -	mΩ mΩ mΩ -
15	RF Insertion Loss	Para. 9.19 and Para. 4.2.4 of this spec.	Insertion Loss	Para. 9.19 of ESA/SCC 3402	-	Figure 2(b)		
16	Corrosion	Para. 9.20	Visual Examination	Para. 9.20 of ESA/SCC 3402 No exposure of base metal	-	-	-	
17	Residual Magnetism	Para. 9.21	Not applicable					
18	Soldering Proof	Para. 9.22	Final Measurements Interface Dimensions Mating/Unmating Forces Insulation Resistance Voltage Proof Leakage Current Contact Resistance External Visual Inspection	- Not applicable Table 2 Item 1 Figure 2(b) Centre Contact (6V 10mA) Shell (6V 10mA) Hermetic Centre Contact (6V 10mA) Para. 9.8 of ESA/SCC 3402	- R _i I _L - - - -	- - - - - -	Figure 2(a) Table 2 Item 1 Table 2 Item 2 8.0 3.0 22 -	mΩ mΩ mΩ -
19	RF Leakage	Para. 9.23	Leakage	-	-	Figure 2(b)		
20	High Temperature Storage	Para. 9.24 and Para. 4.8.6 of this spec.	Final Measurements Mating/Unmating Forces Insulation Resistance Voltage Proof Leakage Current Contact Retention Visual Examination Contact Resistance External Visual Inspection	Not applicable Table 2 Item 1 Figure 2(b) Para. 4.3.9 of this spec. - Centre Contact (6V 10mA) Shell (6V 10mA) Hermetic Centre Contact (6V 10mA) Para. 9.8 of ESA/SCC 3402	R _i I _L - - - - -	- - - - - -	Table 2 Item 1 Table 2 Item 2 Para. 4.3.9 - 18 7.5 34 -	mΩ mΩ mΩ -
21	Permanence of Marking	Para. 9.27	Marking Permanence	Para. 9.27 of ESA/SCC 3402	-	-	-	
22	Plating Thickness (Hermetic Types Only)	Para. 9.29	Plating Thickness	Para. 5.2.4 of ESA/SCC 3402	-	-	-	

NOTES

1. The tests in this table refer to either Chart IV or V and shall be used as applicable.

FIGURE 2(b) - VARIANTS
VARIANT 01 - STRAIGHT BULHEAD RECEPTACLE FOR SEMI-RIGID CABLE Ø2.20mm


SYMBOL	MILLIMETRES		NOTES
	MIN.	MAX.	
a	11.25	11.45	Panel thickness
b	17.00	18.00	
c	1.00	3.20	
Ød	-	8.00	6 Flats
K1	-	6.35	
ØK2	10-36 UNS2A		
m	1.50	1.80	
ØN	2.25	2.35	

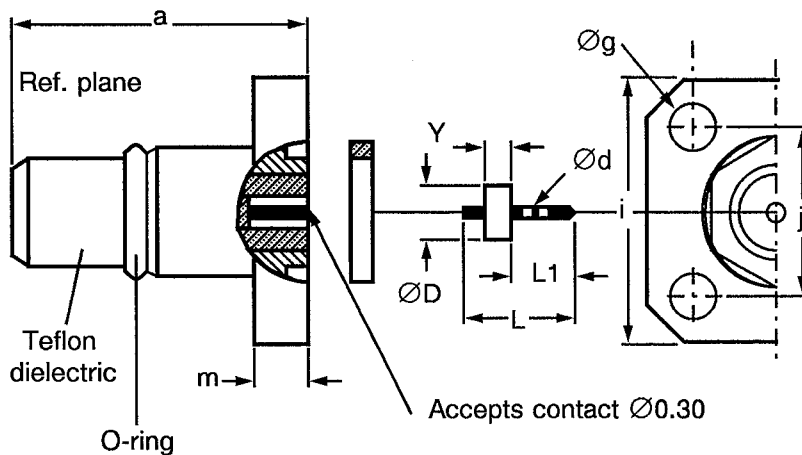
N.B. Available only with plating/material code 2.

ELECTRICAL CHARACTERISTICS	VALUES	UNITS
Frequency range	0 to 28	GHz
Maximum voltage standing wave ratio (VSWR)	1.07 + 0.01 f (GHz)	
Maximum reflection coefficient (for information only)	0.034 + 0.0043 f (GHz)	
Maximum insertion loss	0.3	dB
RF leakage (at 1.0GHz)	- 85 (fully mated)	dB
Voltage proof	675	Vrms
Corona level	190	Vrms
MECHANICAL CHARACTERISTICS	VALUES	UNITS
Maximum mating force	Not applicable	
Minimum unmating force	Not applicable	
Mini centre contact retention force (axial)	18.10	N
Mini centre contact retention torque	Not applicable	
Mini cable retention force	136	N
Mini cable retention torque value	11.2	N.cm
Maximum weight	1.80	g
OTHER CHARACTERISTICS	VALUES	UNITS
Rapid change of temperature - peak value	+ 115	°C
Operating temperature range	- 65 to + 105	°C
Maxi leakage (panel sealed connectors)	Not applicable	
Maxi leakage (hermetic sealed connector)	Not applicable	
Solderability	Applicable (body only)	
Soldering proof	Applicable	
Cables used	RG 405 / KS1	



FIGURE 2(b) - VARIANTS (CONTINUED)

VARIANT 02 - SQUARE FLANGE MOUNT RECEPTACLE WITH EMI GASKET AND GLASS SEAL
Ø CONTACT 0.30mm



SYMBOL	MILLIMETRES		NOTES
	MIN.	MAX.	
a	9.40	9.60	Square Square
Ød	0.25	0.35	
ØD	1.87	1.97	
Øg	2.30	2.50	
i	9.30	9.70	
j	6.20	6.50	
L	7.80	8.20	
L1	4.50	4.70	
m	1.30	1.80	
Y	1.70	1.80	

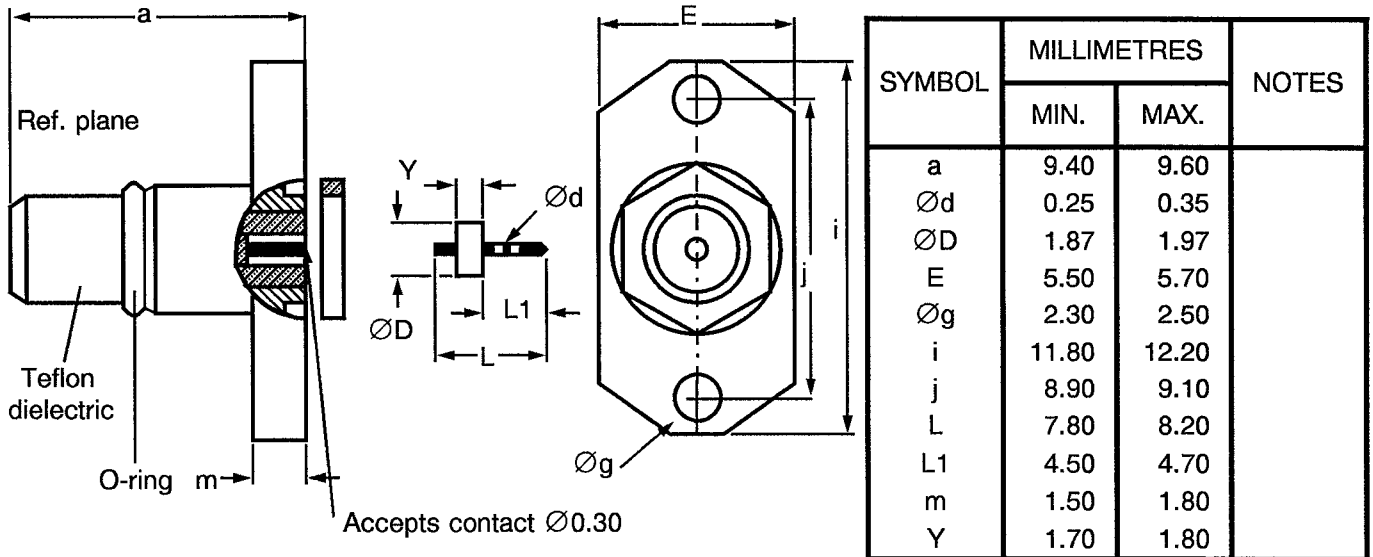
N.B. Available only with plating/material code 3.

ELECTRICAL CHARACTERISTICS	VALUES	UNITS
Frequency range	0 to 28	GHz
Maximum voltage standing wave ratio (VSWR)	1.07 + 0.01 f (GHz)	
Maximum reflection coefficient (for information only)	0.0042 f (GHz)	
Maximum insertion loss	0.3	dB
RF leakage (at 1.0GHz)	-85 (fully mated)	dB
Voltage proof	675	Vrms
Corona level	Not applicable	
MECHANICAL CHARACTERISTICS	VALUES	UNITS
Maximum mating force	Not applicable	
Minimum unmating force	Not applicable	
Mini centre contact retention force (axial)	18.10	N
Mini centre contact retention torque	Not applicable	
Mini cable retention force	Not applicable	
Mini cable retention torque value	Not applicable	
Maximum weight	1.80	g
OTHER CHARACTERISTICS	VALUES	UNITS
Rapid change of temperature - peak value	+ 115	°C
Operating temperature range	- 65 to + 105	°C
Maxi leakage (panel sealed connectors)	Not applicable	
Maxi leakage (hermetic sealed connector)	10 ⁻⁸ (seal only)	atm.cm ³ /s
Solderability	Applicable (contact only)	
Soldering proof	Applicable	
Cables used	Not applicable	



FIGURE 2(b) - VARIANTS (CONTINUED)

VARIANT 03 - TWO HOLE FLANGE MOUNT RECEPTACLE WITH EMI GASKET AND GLASS SEAL
ØCONTACT 0.30mm



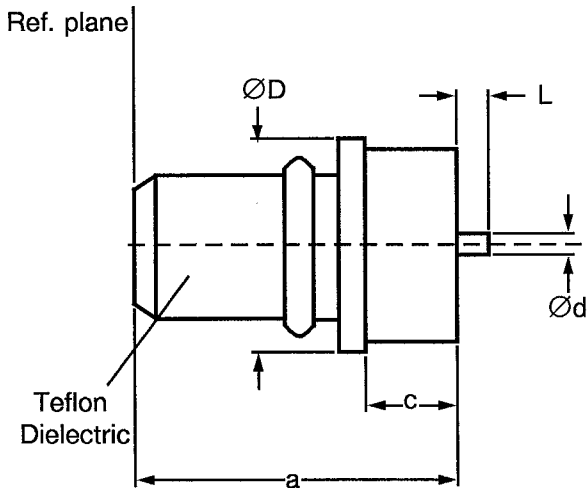
N.B. Available only with plating/material code 3.

ELECTRICAL CHARACTERISTICS	VALUES	UNITS
Frequency range	0 to 28	GHz
Maximum voltage standing wave ratio (VSWR)	1.06 + 0.01 f (GHz)	
Maximum reflection coefficient (for information only)	0.029 + 0.0043 f (GHz)	
Maximum insertion loss	0.3	dB
RF leakage (at 1.0GHz)	-85 (fully mated)	dB
Voltage proof	675	Vrms
Corona level	Not applicable	
MECHANICAL CHARACTERISTICS	VALUES	UNITS
Maximum mating force	Not applicable	
Minimum unmating force	Not applicable	
Mini centre contact retention force (axial)	18.10	N
Mini centre contact retention torque	Not applicable	
Mini cable retention force	Not applicable	
Mini cable retention torque value	Not applicable	
Maximum weight	1.80	g
OTHER CHARACTERISTICS	VALUES	UNITS
Rapid change of temperature - peak value	+ 115	°C
Operating temperature range	- 65 to + 105	°C
Maxi leakage (panel sealed connectors)	Not applicable	
Maxi leakage (hermetic sealed connector)	10 ⁻⁸ (seal only)	atm.cm ³ /s
Solderability	Applicable (contact only)	
Soldering proof	Applicable	
Cables used	Not applicable	



FIGURE 2(b) - VARIANTS (CONTINUED)

VARIANT 04 - SOLDER TYPE PANEL HERMETIC RECEPTACLE



SYMBOL	MILLIMETRES		NOTES
	MIN.	MAX.	
a	8.00	8.40	
c	1.70	1.90	
Ød	0.45	0.55	
ØD	5.20	5.50	
L	0.80	1.20	

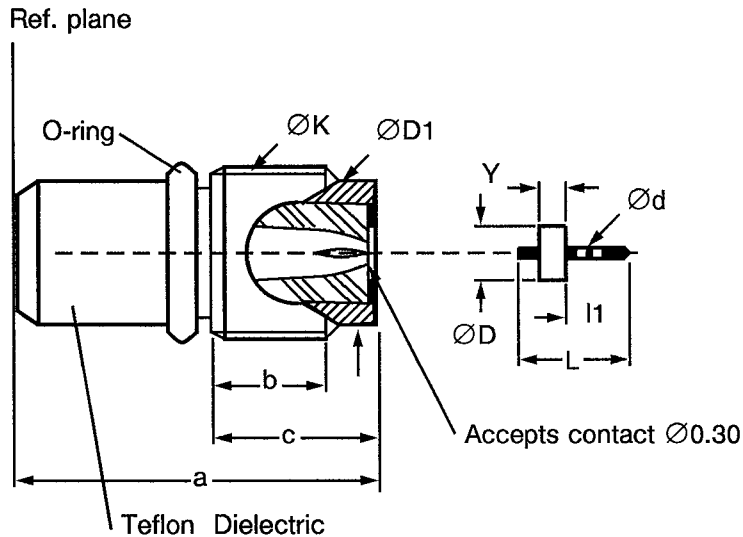
N.B. Available only with plating/material code 2.

ELECTRICAL CHARACTERISTICS	VALUES	UNITS
Frequency range	0 to 28	GHz
Maximum voltage standing wave ratio (VSWR)	1.10 + 0.01 f (GHz)	
Maximum reflection coefficient (for information only)	0.047 + 0.0042 f (GHz)	
Maximum insertion loss	0.4	dB
RF leakage (at 1.0GHz)	- 85 (fully mated)	dB
Voltage proof	675	Vrms
Corona level	Not applicable	
MECHANICAL CHARACTERISTICS	VALUES	UNITS
Maximum mating force	Not applicable	
Minimum unmating force	Not applicable	
Mini centre contact retention force (axial)	18.10	N
Mini centre contact retention torque	Not applicable	
Mini cable retention force	Not applicable	
Mini cable retention torque value	Not applicable	
Maximum weight	1.20	g
OTHER CHARACTERISTICS	VALUES	UNITS
Rapid change of temperature - peak value	+ 115	°C
Operating temperature range	- 65 to +105	°C
Maxi leakage (panel sealed connectors)	Not applicable	
Maxi leakage (hermetic sealed connector)	10 ⁻⁸ (seal only)	atm.cm ³ /s
Solderability	Applicable (body and contact)	
Soldering proof	Applicable	
Cables used	Not applicable	



FIGURE 2(b) - VARIANTS (CONTINUED)

VARIANT 05 - SCREW TYPE PANEL RECEPTACLE WITH GLASS SEAL ØCONTACT 0.30mm



SYMBOL	MILLIMETRES		NOTES
	MIN.	MAX.	
a	8.60	8.80	
b	2.20	2.70	
c	3.50	3.80	
Ød	0.25	0.35	
ØD	1.87	1.97	
ØD1	3.70	3.90	
ØK	10-36 UNS-2A		
L	7.80	8.20	
L1	4.50	4.70	
Y	1.70	1.80	

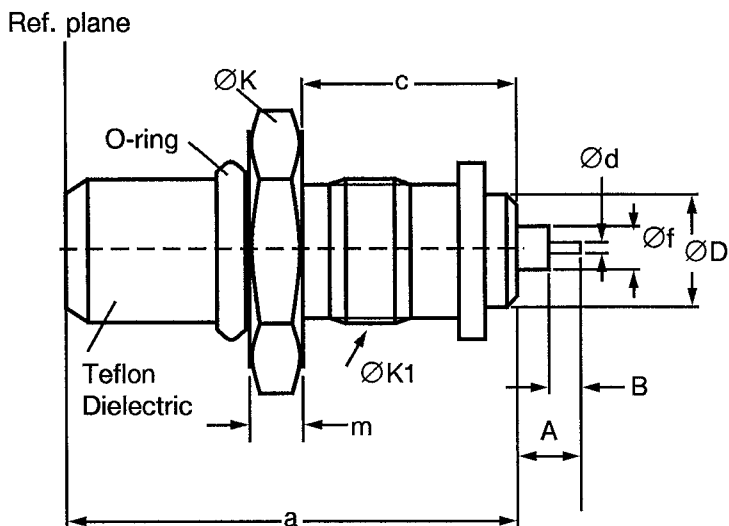
N.B. Available only with plating/material code 3.

ELECTRICAL CHARACTERISTICS	VALUES	UNITS
Frequency range	0 to 28	GHz
Maximum voltage standing wave ratio (VSWR)	1.06 + 0.01 f (GHz)	
Maximum reflection coefficient (for information only)	0.029 + 0.0043 f (GHz)	
Maximum insertion loss	0.3	dB
RF leakage (at 1.0GHz)	- 85 (fully mated)	dB
Voltage proof	675	Vrms
Corona level	Not applicable	
MECHANICAL CHARACTERISTICS	VALUES	UNITS
Maximum mating force	Not applicable	
Minimum unmating force	Not applicable	
Mini centre contact retention force (axial)	18.10	N
Mini centre contact retention torque	Not applicable	
Mini cable retention force	Not applicable	
Mini cable retention torque value	Not applicable	
Maximum weight	1.20	g
OTHER CHARACTERISTICS	VALUES	UNITS
Rapid change of temperature - peak value	+ 115	°C
Operating temperature range	- 65 to + 105	°C
Maxi leakage (panel sealed connectors)	Not applicable	
Maxi leakage (hermetic sealed connector)	10 ⁻⁸ (seal only)	atm.cm ³ /s
Solderability	Applicable (contact only)	
Soldering proof	Applicable	
Cables used	Not applicable	



FIGURE 2(b) - VARIANTS (CONTINUED)

VARIANT 06 - SCREW TYPE PANEL HERMETIC RECEPTACLE



SYMBOL	MILLIMETRES		NOTES
	MIN.	MAX.	
a	11.60	12.65	6 flats
A	1.75	2.25	
B	0.75	1.25	
c	5.20	6.00	
Ød	0.25	0.35	
ØD	2.90	3.10	
Øf	0.90	1.10	
ØK		6.35	
ØK1	10-36 UNS-2A		
m	1.30	1.80	

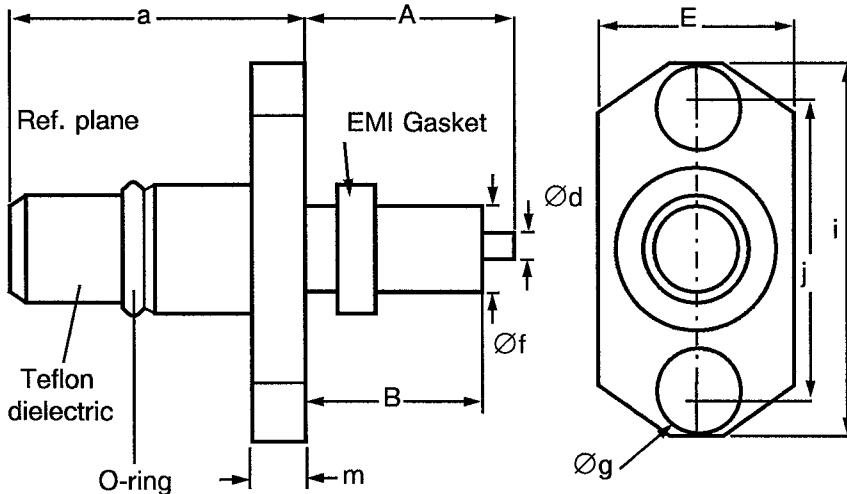
N.B. Available only with plating/material code 3.

ELECTRICAL CHARACTERISTICS	VALUES	UNITS
Frequency range	0 to 28	GHz
Maximum voltage standing wave ratio (VSWR)	1.10 + 0.01 f (GHz)	
Maximum reflection coefficient (for information only)	0.047 + 0.0042 f (GHz)	
Maximum insertion loss	0.4	dB
RF leakage (at 1.0GHz)	-85 (fully mated)	dB
Voltage proof	675	Vrms
Corona level	Not applicable	
MECHANICAL CHARACTERISTICS	VALUES	UNITS
Maximum mating force	Not applicable	
Minimum unmating force	Not applicable	
Mini centre contact retention force (axial)	18.10	N
Mini centre contact retention torque	Not applicable	
Mini cable retention force	Not applicable	
Mini cable retention torque value	Not applicable	
Maximum weight	1.20	g
OTHER CHARACTERISTICS	VALUES	UNITS
Rapid change of temperature - peak value	+115	°C
Operating temperature range	-65 to +105	°C
Maxi leakage (panel sealed connectors)	Not applicable	
Maxi leakage (hermetic sealed connector)	10 ⁻⁸ (seal only)	atm.cm ³ /s
Solderability	Applicable (contact only)	
Soldering proof	Applicable	
Cables used	Not applicable	



FIGURE 2(b) - VARIANTS (CONTINUED)

VARIANT 07 - TWO HOLE FLANGE MOUNT RECEPTACLE WITH EMI GASKET



SYMBOL	MILLIMETRES		NOTES
	MIN.	MAX.	
a	9.40	9.60	
A	-	40.00	Note 1
B	-	20.00	Note 1
Ød	0.86	0.88	
E	5.50	5.70	
Øf	2.70	2.80	
Øg	2.30	2.50	2 holes
i	11.80	12.20	
j	8.90	9.10	
m	1.50	1.80	

- NOTES**
1. To specify dimensions, see Para. 4.5.3.
 2. Available only with plating/material code 3.

ELECTRICAL CHARACTERISTICS	VALUES	UNITS
Frequency range	0 to 28	GHz
Maximum voltage standing wave ratio (VSWR)	1.06 + 0.01 f (GHz)	
Maximum reflection coefficient (for information only)	0.029 + 0.0043 f (GHz)	
Maximum insertion loss	0.04 √f (GHz)	dB
RF leakage (at 1.0GHz)	-75 + 30 log f (GHz)	dB
Voltage proof	675	Vrms
Corona level	Not applicable	
MECHANICAL CHARACTERISTICS	VALUES	UNITS
Maximum mating force	Not applicable	
Minimum unmating force	Not applicable	
Mini centre contact retention force (axial)	18.10	N
Mini centre contact retention torque	Not applicable	
Mini cable retention force	Not applicable	
Mini cable retention torque value	Not applicable	
Maximum weight	3.00	g
OTHER CHARACTERISTICS	VALUES	UNITS
Rapid change of temperature - peak value	+ 115	°C
Operating temperature range	-65 to +105	°C
Maxi leakage (panel sealed connectors)	Not applicable	
Maxi leakage (hermetic sealed connector)	Not applicable	
Solderability	Applicable (contact only)	
Soldering proof	Applicable	
Cables used	Not applicable	