



europaean space agency  
agence spatiale européenne

Pages 1 to 121

**CRYSTAL UNITS IN METAL HOLDER,  
BASED ON TYPE T1507,  
FREQUENCY RANGE 2.5 - 20MHZ  
ESA/SCC Detail Specification No. 3501/002**



**space components  
coordination group**

Issue/Rev.	Date	Approved by	
		SCCG Chairman	ESA Director General or his Deputy
Issue 4	February 1998	<i>Sam Mitchell</i>	<i>[Signature]</i>
Revision 'A'	April 1999	<i>Sam Mitchell</i>	<i>[Signature]</i>
Revision 'B'	May 2000	<i>Sam Mitchell</i>	<i>[Signature]</i>



**DOCUMENTATION CHANGE NOTICE**

Rev. Letter	Rev. Date	Reference	CHANGE Item	Approved DCR No.
		This Issue supersedes Issue 3 and incorporates all modifications defined in Revisions 'A' and 'B' to Issue 3 and the changes agreed in the following DCRs:-		
		Cover Page		None
		DCN		None
		Table 1(a)	: Storage Temperature Range column deleted : Figure column deleted	221336 221337
		Table 1(b)	: No. 4, in Remarks, Note number amended : No. 5, in Remarks, Note number amended : New Note 3 added	221336 221336 221336
		Table 1(c)	: Existing Note 3 renumbered as "4" : Item 19 deleted : Item 20 deleted and subsequent items renumbered : In old Item 22, note number amended to "15" : Note 14 deleted and subsequent notes renumbered	221336 221337 221336 221337 221337
		Figure 2(a)	: Figure deleted in toto	221337
		Figure 2(b)	: Subtitle deleted : Drawing and Table amended : Vibration Axes and Notes added	221337 221381 221381
		Para. 4.3.3	: Second sentence deleted	221341
		Para. 4.5.1	: Existing text deleted and new text added	221465
		Para. 4.5.5	: Deleted in toto	221465
		Para. 4.5.6	: Renumbered to "4.5.5"	221465
		Para. 4.6.1	: Second sentence rewritten	221341
		Para. 4.6.3	: Deleted in toto	221341
		Para. 4.6.4	: Renumbered to "4.6.3"	221341
		Table 6	: Table reformatted	23799/ 221341/ 221380/ 221465
		Ind. Tables 1(a)	: Item 19 deleted : Item 20 deleted and "21" renumbered as "19" : Variant 46, L <sub>1</sub> min. amended to "8.0" : Variant 50, L <sub>1</sub> min. amended to "230"	221337 221336 221405 221405
'A'	Apr. '99	P1. Cover Page P2. DCN P5. Para. 1.1 P60. Table 1(a)	: Frequency Range amended in Title : Frequency Range amended in first sentence : Variant 38, No. 16 Limit amended	21115 None 21115 221506
'B'	May '00	P1. Cover Page P2. DCN P12. Figure 2	: In the Table, dimension 'C' max. amended	None None 221548

**SCC**ESA/SCC Detail Specification  
No. 3501/002

PAGE 3

ISSUE 4

**TABLE OF CONTENTS**

	<u>Page</u>
<b>1. <u>GENERAL</u></b>	<b>5</b>
1.1 Scope	5
1.2 Type Variants	5
1.3 Maximum Ratings	5
1.4 Physical Dimensions	5
1.5 Functional Diagram	5
<b>2. <u>APPLICABLE DOCUMENTS</u></b>	<b>13</b>
<b>3. <u>TERMS, DEFINITIONS, ABBREVIATIONS, SYMBOLS AND UNITS</u></b>	<b>13</b>
<b>4. <u>REQUIREMENTS</u></b>	<b>13</b>
4.1 General	13
4.2 Deviations from Generic Specification	13
4.2.1 Deviations from Special In-process Controls	13
4.2.2 Deviations from Final Production Tests	13
4.2.3 Deviations from Burn-in Tests	13
4.2.4 Deviations from Qualification Tests	13
4.2.5 Deviations from Lot Acceptance Tests	13
4.3 Mechanical Requirements	14
4.3.1 Dimension Check	14
4.3.2 Weight	14
4.3.3 Robustness of Terminations	14
4.4 Materials and Finishes	14
4.4.1 Case	14
4.4.2 Lead Material and Finish	14
4.5 Marking	14
4.5.1 General	14
4.5.2 The SCC Component Number	14
4.5.3 Characteristics	15
4.5.4 Traceability Information	15
4.5.5 Manufacturer's Name, Symbol and Code	15
4.6 Electrical Measurements	15
4.6.1 Electrical Measurements at Reference Temperature	15
4.6.2 Electrical Measurements at High and Low Temperatures	15
4.6.3 Circuits for Electrical Measurements	15
4.7 Burn-in Tests	15
4.7.1 Parameter Drift Values	15
4.7.2 Conditions for Burn-in	15
4.7.3 Electrical Circuits for Burn-in	15
4.8 Environmental and Endurance Tests	18
4.8.1 Measurements and Inspections on Completion of Environmental Tests	18
4.8.2 Measurements and Inspections at Intermediate Points and on Completion of Endurance Tests	18
4.8.3 Conditions for Operating Life Test	18



**TABLES**

1(a)	Type Variant Summary	6
	Type Variant Detailed Information	22
1(b)	Maximum Ratings	8
1(c)	Format for Individual Tables 1(a)	9
2	Electrical Measurements at Reference Temperature	16
3	Electrical Measurements at High and Low Temperatures	17
4	Parameter Drift Values	17
5	Conditions for Burn-in and Life Test	17
6	Measurements and Inspections on Completion of Environmental Tests and at Intermediate Points and on Completion of Endurance Testing	19

**FIGURES**

1	Parameter Derating Information	N/A
2	Physical Dimensions	12
3	Functional Diagram	12
4	Circuits for Electrical Measurements	N/A
5	Electrical Circuit for Burn-in and Life Test	N/A

**APPENDICES (Applicable to specific Manufacturers only)**

None.

**1. GENERAL****1.1 SCOPE**

This specification details the values, physical and electrical characteristics, test and inspection data for Crystal Units in Metal Holder, based on Type T1507, Frequency Range 2.5 - 50MHz.

It shall be read in conjunction with ESA/SCC Generic Specification No. 3501, the requirements for which are supplemented herein.

**1.2 TYPE VARIANTS**

A list of the type variants of the crystal units specified herein, which are also covered by this specification, is given in "Table 1(a) - Type Variant Summary".

For each type variant, the full electrical and physical characteristics are given in individual Tables 1(a) - "Type Variant Detailed Information" at the end of this specification.

The contents of the individual Tables 1(a) shall be as shown in Table 1(c) and the characteristics therein listed shall relate to the design parameters of the individual crystal units, optimised for the intended application.

The specific characteristics shall be negotiated between the Manufacturer and the Orderer. The Manufacturer shall then apply to the ESA/SCC Secretariat for a type variant number for each individual crystal unit concerned, by sending a finalised Table 1(a) which shall also be copied to the Qualifying Space Agency (QSA).

**1.3 MAXIMUM RATINGS**

The maximum ratings, which shall not be exceeded at any time during use or storage, applicable to the crystal units specified herein, are as scheduled in Table 1(b).

**1.4 PHYSICAL DIMENSIONS**

The physical dimensions of the crystal units specified herein are shown in Figure 2.

**1.5 FUNCTIONAL DIAGRAM**

The functional diagram showing lead identification of the crystal units specified herein is shown in Figure 3.



**TABLE 1(a) - TYPE VARIANT SUMMARY**

Variant	Resonance Frequency (MHz)	Load Capacitance (C <sub>L</sub> pF)	Reference Temp. (T <sub>0</sub> °C)	Operating Temp. Range (T <sub>op</sub> °C)	Lead Finish
01	3.317	19	+25	-20 to +60	2
02	2.496 & 2.5344	30	+25	-20 to +50	2
03	2.8	20	+25	-30 to +60	2
04	2.7 to 5.0	30	+25	-40 to +80	2
05	3.2768	∞	+25	-20 to +70	2
06	4.095	∞	+25	-30 to +60	2
07	5.0	30	+40	-10 to +70	2
08	5.105555	30	+25	-55 to +105	2
09	5.333 to 5.334	140	+15	-20 to +60	2
10	5.661448	22 to 33	+25	-30 to +60	2
11	8.7 to 10.7	∞	+25	-40 to +80	2
12	10.0	22	+60	-20 to +70	2
13	10.0	50	+25	-10 to +80	2
14	10.7	30	+25	-55 to +105	2
15	11.0	30	+25	-55 to +105	2
16	11.433333	20	+25	-20 to +80	2
17	12.8	30	+25	-55 to +105	2
18	14.7456	∞	+25	-20 to +70	2
19	12.0	∞	+25	-20 to +70	2
20	12.288	20 to 50	+60	-30 to +70	2
21	15.0	25	+25	-30 to +80	2
22	4.096	50	+25	-20 to +80	2
22	4.096	50	+25	-20 to +80	3 or 4
23	19.109567	∞	+25	-30 to +60	2
24	6.4	∞	+25	-20 to +60	2
25	7.0	∞	+25	-20 to +60	2
26	12.0	30	+25	-20 to +60	2
27	15.0	20 to 50	+25	-20 to +70	2
28	6.4	30	+25	-20 to +60	2
29	7.0	30	+25	-20 to +60	2
30	12.0	50	+40	-20 to +80	2
31	4.608	30	+25	-35 to +70	2
32	10.0	50	+40	-20 to +80	2
33	13.3	30	+25	-35 to +70	2
34	3.2768	27 to 33	+27	-20 to +50	2
35	8.0	30	+27	-20 to +50	2
36	6.0	16	+25	-20 to +70	2
37	4.608	27 to 33	+25	-25 to +70	2
38	4.608	30	+25	-40 to +70	2
39	5.0	27	+25	-40 to +70	2
40	3.2768	20 to 50	+25	-20 to +70	2



**TABLE 1(a) - TYPE VARIANT SUMMARY (CONTINUED)**

Variant	Resonance Frequency (MHz)	Load Capacitance (C <sub>L</sub> pF)	Reference Temp. (T <sub>0</sub> °C)	Operating Temp. Range (T <sub>op</sub> °C)	Lead Finish
41	4.096	50	+ 25	-10 to + 80	2
42	5.0	30	+ 40	-20 to + 80	2
43	5.0	30	+ 40	-10 to + 70	2
44	10.0	50	+ 25	-10 to + 80	2
45	12.0	∞	+ 25	-20 to + 70	2
46	12.0	∞	+ 25	-40 to + 85	2
47	13.332	50	+ 40	-20 to + 80	2
48	5.24288	22	+ 60	-40 to + 85	2
49	3.2	30	+ 27	-20 to + 70	2
50	4.0	30	+ 25	-40 to + 80	2
51	4.194304	30	+ 30	-10 to + 80	2
52	12.25	32	+ 25	-20 to + 70	2
53	6.0	30	+ 25	-40 to + 70	2
54	9.66 to 10.65	50	+ 25	-20 to + 70	2
55	4.096	50	+ 25	-10 to + 80	2
56	4.194304	22	+ 60	-20 to + 70	2
57	5.24288	22	+ 60	-20 to + 70	2
58	8.0	22	+ 60	-20 to + 70	2
59	13.332	50	+ 40	-20 to + 80	2
60	4.194304	30	+ 25	-30 to + 70	2
61	12.25	32	+ 25	-20 to + 70	2
62	4.096	∞	+ 25	-30 to + 80	2
63	4.194304	∞	+ 25	-30 to + 80	2
64	5.24288	22	+ 25	-20 to + 70	2
65	12.25	32	+ 25	-20 to + 70	2
66	5.0	20 to 40	+ 25	-10 to + 40	2
67	5.0	30	+ 27	-20 to + 70	2
68	12.0	30	+ 27	-20 to + 70	2
69	11.0	∞	+ 25	-20 to + 80	2
70	12.0	32	+ 25	-25 to + 90	2
71	4.9152	30	+ 25	-20 to + 60	2
72	15.0	30	+ 25	-40 to + 85	2
73	7.5	30	+ 25	-20 to + 50	2
74	8.194442	30	+ 25	-20 to + 50	2
75	10.0	30	+ 25	-40 to + 70	2
76	4.0	50	+ 25	-55 to + 125	2
77	8.388	30	+ 25	-10 to + 50	2
78	4.194304	30	+ 25	-30 to + 70	2
79	3.2768	30	+ 25	-30 to + 70	2
80	16.0	30	+ 25	-30 to + 70	2



**TABLE 1(a) - TYPE VARIANT SUMMARY (CONTINUED)**

Variant	Resonance Frequency (MHz)	Load Capacitance (C <sub>L</sub> pF)	Reference Temp. (T <sub>o</sub> °C)	Operating Temp. Range (T <sub>op</sub> °C)	Lead Finish
81	15.0	30	+25	-30 to +70	2
82	4.096	∞	+25	-30 to +80	2
83	10.0	30	+25	-55 to +100	2
84	18.0	30	+25	-10 to +70	2
85	25.0	∞	+25	-25 to +75	2
86	3.6864	∞	+25	-25 to +80	2
87	5.24288	22	+60	-20 to +70	2
88	12.0	30	+25	-10 to +80	2
89	3.6864	30	+25	-10 to +80	2
90	12.136285	∞	+25	-30 to +65	2
91	18.0	50	+40	-20 to +80	2
92	8.388608	∞	+25	-40 to +75	2
93	10.0	30	+40	-20 to +90	2
94	6.0	30	+25	-45 to +75	2
95	12.5	30	+25	-40 to +85	2
96	11.059	50	+25	-35 to +70	2
97	7.3728	30	+25	-30 to +80	2
98	5.12	30	+40	-40 to +80	2
99	10.0	18 to 30	+72	-25 to +80	2

**NOTES**

1. Full electrical and physical characteristics are given in the individual Tables 1(a) at the end of this specification.

**TABLE 1(b) - MAXIMUM RATINGS**

No.	Characteristic	Symbol	Values	Unit	Remarks
1	Nominal Frequency Range	f	2.5 to 20	MHz	Note 1
2	Drive Level Range	P	0.01 to 0.2	mW	
3	Operating Temperature Range	T <sub>op</sub>	-	°C	Note 2
4	Storage Temperature Range	T <sub>stg</sub>	-65 to +125	°C	Note 3
5	Soldering Temperature	T <sub>sol</sub>	+260	°C	Note 4

**NOTES**

1.

Fundamental and Overtone Order	Approx. Frequency Range (MHz)
Fundamental	2.5 to 20
3	10 to 30
5	15 to 50

2. See Table 1(a).
3. The duration at maximum storage temperature shall not exceed 16 hours.
4. Duration 10 seconds maximum at a distance of not less than 3.0mm from the device body and the same lead shall not be resoldered until 3 minutes have elapsed.





**TABLE 1(c) - FORMAT FOR INDIVIDUAL TABLES 1(a)**

**TABLE 1(a) - TYPE VARIANT DETAILED INFORMATION**

TYPE VARIANT NO. \_\_\_\_\_

No.	Characteristic	Symbol	Limits		Unit	Remarks
			Min.	Max		
1	Resonance Frequency	$f_r$ or $f_L$			MHz	Note 1
2	Reference Temperature	$T_o$			°C	Note 2
3	Overtone Order	-				
4	Load Capacitance	$C_L$			pF	Note 3
5	Rated Drive Level	$P_o$			mW	Note 4
6	Frequency Adjustment Tolerance	$\frac{\Delta f}{f}$			10 <sup>-6</sup>	At $T_o$ °C Note 5
7	Resonance Resistance	$R_r$ or $R_L$			Ω	At $T_o$ °C Note 6
8	Frequency Variation with Temperature over $T_{op}$	$\frac{\Delta f}{f}$			10 <sup>-9</sup>	From frequency measured at $T_o$ °C Note 7
9	Resistance Variation with Temperature over $T_{op}$	$\frac{\Delta R}{R}$			%	From resistance measured at $T_o$ °C Note 7
10	Operating Temperature Range	$T_{op}$			°C	
11	Frequency variation with Drive Level	$\frac{\Delta f}{f}$			10 <sup>-6</sup>	From $P_{S1} =$ mW to $P_{S2} =$ mW Note 8
12	Resistance variation with Drive Level	$\frac{\Delta R}{R}$			%	From $P_{S1} =$ mW to $P_{S2} =$ mW Note 8
13	Motional Inductance	$L_1$			mH	Notes 9 and 10
14	Motional Capacitance	$C_1$			fF	Note 9
15	Static Capacitance	$C_o$			pF	Note 9
16	Q Factor	Q			-	Notes 9 and 11
17	Ratio of unwanted: Response Resistance to Resonance Resistance or Response Impedance to Resonance Resistance	$R_p/R$ or $ Z_p /R$				In the frequency range: f - kHz to f + kHz
18	Ageing	$\frac{\Delta f}{f}$			10 <sup>-6</sup>	Note 13
19	Lead Finish	-				
20	Intended Application					Note 15

**NOTES:** See Pages 10 and 11.

**NOTES TO TABLE 1(c)**

1. (a) If  $C_L$  is not specified, Symbol and measurement shall be  $f_r$ .  
(b) If  $C_L$  is specified, Symbol and measurement shall be  $f_L$ .
2. Reference Temperature  $T_0$ 
  - (a) For a crystal unit functioning in a non-controlled temperature environment, the reference temperature is normally  $+25 \pm 2$  °C.
  - (b) For a crystal unit functioning in a controlled temperature environment, the reference temperature shall normally be the mid-point of the temperature range of the controlled environment.
3. Load Capacitance  $C_L$ 
  - (a) When a crystal unit must function at its series resonance frequency,  $C_L$  shall be infinite.
  - (b) When a crystal must function with a load capacitance, the  $C_L$  value shall be specified. The standard values of load capacitance are as follows:
    - Fundamental Frequency Operation: 20pF, 30pF, 50pF and 100pF.
    - Overtone Operation: 8pF, 12pF, 15pF, 20pF and 30pF.

**N.B**

The tolerance on the load capacitance shall be that value which results in a frequency change not exceeding 10% of the frequency tolerance at  $T_0$  or 1% of the nominal load capacitance, whichever is smaller.

4. Rated Drive Level  $P_0$ 

The rated drive level shall be selected from the standard drive levels specified below:

  - Preferred values: 2mW, 1mW, 0.5mW, 0.2mW, 0.1mW, 0.05mW, 0.02mW, 0.01mW, 0.001mW or 0.0001mW at  $\pm 20\%$ .
  - Non-preferred values: 10mW, 5mW and 4mW all at  $\pm 20\%$ .
5. Frequency Adjustment Tolerance
  - (a) When a crystal must function at its series resonance frequency, the standard value of the adjustment tolerance shall be  $\pm 10 \times 10^{-6}$ .
  - (b) When a crystal has to function with a load capacitance, the standard value of the adjustment tolerance shall also be  $\pm 10 \times 10^{-6}$ . However, if the load capacitance is adjustable, it is preferable to specify that the nominal frequency be obtained with a load capacitance value between the minimum and maximum value when the crystal is functioning in its fundamental mode.
6. Resonance Resistance
  - (a) Generally, the maximum value only is specified.

(b)  $R_L$  may be calculated by  $R_L = R_r \left( 1 + \frac{C_0}{C_L} \right)^2$

**NOTES TO TABLE 1(c) (Continued)****7. Frequency and Resistance Variation with Temperature**

These values shall be specified such that they are consistent with the operating temperature range.

**8. Frequency and Resistance Variation with Drive Level**

These limits and the Drive Level range (PS1 to PS2) shall be specified for very special crystals only (i.e. crystals used in very high stability oscillators).

**9. Electrical Values**

The electrical values shall be specified only when required for the correct functioning of the equipment in which the crystal is used.

**10. Motional Inductance  $L_1$** 

Because the inductance value may be restricted by other chosen parameters, the Manufacturer shall propose the value of  $L_1$  in accordance with the Customer's requirements.

**11. 'Q' Factor**

If 'R' and 'L' have been already specified, it will not be necessary to specify the minimum value of the 'Q' factor.

The maximum value of the 'Q' factor is never specified.

**12. Ratio of Unwanted Response Resistance to Resonance Resistance**

The standard minimum value is 2, but it is possible to obtain higher values.

The frequency range within which the minimum value of the ratio is required shall also be specified.

**13. Ageing**

Specify limits under appropriate column and ageing period under "Remarks".

**14. Not applicable Items**

For all items where limits are not specified, "Not applicable" shall be entered in the Limits column.

**15. Intended Application**

For definitions of the selected symbol to be added, see ESA/SCC Generic Specification No. 3501, Para. 3.

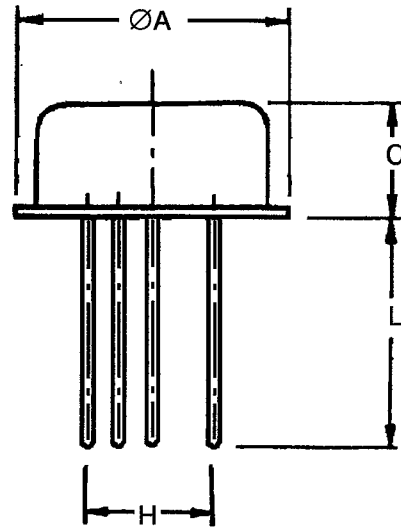


**FIGURE 1 - PARAMETER DERATING INFORMATION**

Not applicable.

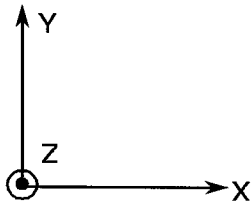
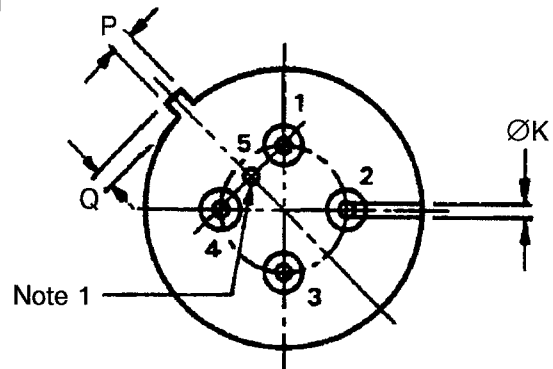
**FIGURE 2 - PHYSICAL DIMENSIONS**

SYMBOL	MILLIMETRES		REMARKS
	MIN.	MAX.	
∅A	-	15.75	
C	-	6.80	
H	6.90	7.40	Pitch 7.16mm
∅K	0.40	0.48	
L	12.70	-	
P	-	0.90	Note 2
Q	-	0.95	Note 2

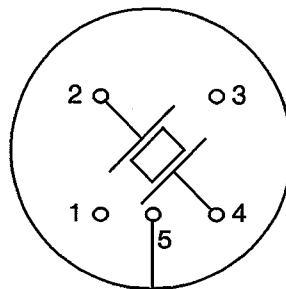


**NOTES**

1. Lead No. 5 is grounded to case.
2. The tag's position or presence is optional.



**FIGURE 3 - FUNCTIONAL DIAGRAM**



(BOTTOM VIEW)

**2. APPLICABLE DOCUMENTS**

The following documents form part of this specification and shall be read in conjunction with it:-

- (a) ESA/SCC Generic Specification No. 3501 for Quartz Crystal Units.

**3. TERMS, DEFINITIONS, ABBREVIATIONS, SYMBOLS AND UNITS**

For the purpose of this specification, the terms, definitions, abbreviations, symbols and units specified in ESA/SCC Basic Specification No. 21300 shall apply. In addition, the following symbols are used:-

Resonance Frequency	= $f_r$
Load Resonance Frequency	= $f_L$
Reference Temperature	= $T_o$
Resonance Resistance	= $R_r$
Load Resonance Resistance	= $R_L$
Rated Drive Level	= $P_o$
Static Capacitance	= $C_o$
Load Capacitance	= $C_L$
Motional Capacitance	= $C_1$
Motional Inductance	= $L_1$
Response Resistance	= $R_p$
Response Impedance	= $ Z_p $
Insulation Resistance	= $R_i$

**4. REQUIREMENTS****4.1 GENERAL**

The complete requirements for procurement of the crystal units specified herein shall be as stated in this specification and ESA/SCC Generic Specification No. 3501 for Quartz Crystal Units. Deviations from the Generic Specification applicable to this specification only, are detailed in Para. 4.2.

Deviations from the applicable Generic Specification and this Detail Specification, formally agreed with specific Manufacturers on the basis that the alternative requirements are equivalent to the ESA/SCC requirements and do not affect the components' reliability, are listed in the appendices attached to this specification.

**4.2 DEVIATIONS FROM GENERIC SPECIFICATION****4.2.1 Deviations from Special In-process Controls**

None.

**4.2.2 Deviations from Final Production Tests (Chart II)**

None.

**4.2.3 Deviations from Burn-in Tests (Chart III)**

None.

**4.2.4 Deviations from Qualification Tests (Chart IV)**

None.

**4.2.5 Deviations from Lot Acceptance Tests (Chart V)**

None.



#### 4.3 MECHANICAL REQUIREMENTS

##### 4.3.1 Dimension Check

The dimensions of the crystal units specified herein shall be checked. They shall conform to those shown in Figure 2.

##### 4.3.2 Weight

The maximum weight of the crystal units specified herein shall be 3.0 grammes.

##### 4.3.3 Robustness of Terminations

The requirements for robustness of termination testing are specified in Section 9 of ESA/SCC Generic Specification No. 3501.

#### 4.4 MATERIALS AND FINISHES

The materials and finishes shall be as specified herein. Where a definite material is not specified, a material which will enable the crystal units specified herein to meet the performance requirements of this specification shall be used. Acceptance or approval of any constituent material does not guarantee acceptance of the finished product.

##### 4.4.1 Case

###### 4.4.1.1 Cap

Copper, nickel plated or nickel and gold plated.

###### 4.4.1.2 Base

Kovar, nickel plated or nickel and gold plated.

##### 4.4.2 Lead Material and Finish

The lead material shall be Type 'D' with either Type '2' or Type '3 or 4 ' finish in accordance with the requirements of ESA/SCC Basic Specification No. 23500. (See Tables 1(a) for Type Variants).

#### 4.5 MARKING

##### 4.5.1 General

The marking of all components delivered to this specification shall be in accordance with the requirements of ESA/SCC Basic Specification No. 21700 and the following paragraphs. When the component is too small to accommodate all of the marking specified, as much as space permits shall be marked and the marking information, in full, shall accompany the component in its primary package.

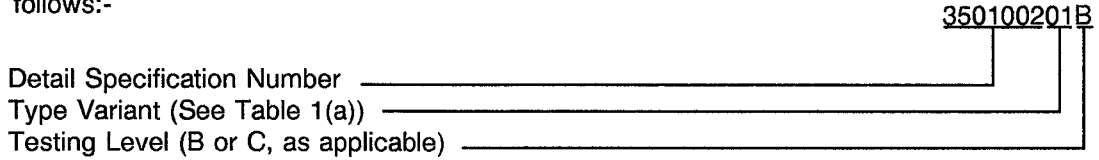
The information to be marked and the order of precedence, shall be as follows:-

- (a) The SCC Component Number.
- (b) Characteristics.
- (c) Traceability Information.



4.5.2 The SCC Component Number

Each component shall bear the SCC Component Number, which shall be constituted and marked as follows:-



4.5.3 Characteristics

The resonance frequency of the crystal units shall be clearly specified in MHz. Where necessary, it shall be specified to 6 decimal places.

4.5.4 Traceability Information

Each component shall be marked in respect of traceability information in accordance with the requirements of ESA/SCC Basic Specification No. 21700.

4.5.5 Manufacturer's Name, Symbol or Code

The Manufacturer's marking shall be in accordance with the requirements of ESA/SCC Basic Specification No. 21700.

4.6 ELECTRICAL MEASUREMENTS

4.6.1 Electrical Measurements at Reference Temperature

The parameters to be measured in respect of electrical characteristics are scheduled in Table 2. The measurements shall be performed at the temperatures specified in the individual Tables 1(a), Item 2.

4.6.2 Electrical Measurements at High and Low Temperatures

The parameters to be measured at high and low temperatures are scheduled in Table 3. These measurements shall only be performed if values are specified in Table 1(a) Items 8 and/or 9.

4.6.3 Circuits for Electrical Measurements (Figure 4)

Not applicable.

4.7 BURN-IN TESTS

4.7.1 Parameter Drift Values

The parameter drift values applicable to burn-in are specified in Table 4 of this specification. Unless otherwise stated, measurements shall be performed at  $T_{amb} = T_o \pm 2 \text{ }^\circ\text{C}$ . The parameter drift values (Delta) applicable to the scheduled parameters shall not be exceeded. In addition to these drift value requirements for a given parameter, the appropriate limit value specified in Table 2 shall not be exceeded.

4.7.2 Conditions for Burn-in

The requirements for burn-in are specified in Section 7 of ESA/SCC Generic Specification No. 3501. The conditions for burn-in shall be as specified in Table 5 of this specification.

4.7.3 Electrical Circuits for Burn-in (Figure 5)

Not applicable.

**TABLE 2 - ELECTRICAL MEASUREMENTS AT REFERENCE TEMPERATURE**

No.	Characteristics	Symbol	ESA/SCC 3501 Test Method	Limits	Unit
1	Resonance frequency at reference temperature and rated drive level - with $C_O$ - with $C_L$	$f_r (T_o, P_o)$ $f_L (T_o, P_o)$	Para. 9.2.1.1	Table 1(a), Item 1 $\pm$ Item 6	MHz
2	Resonance resistance at reference temperature and rated drive level - with $C_O$ - with $C_L$	$R_r (T_o, P_o)$ $R_L (T_o, P_o)$	Para. 9.2.1.1	Table 1(a), Item 7	$\Omega$
3	Frequency variation with Drive Level	$\frac{\Delta f}{f} (T_o, \Delta P)$	Para. 9.2.1.1	Table 1(a), Item 11	$10^{-6}$
4	Resistance variation with Drive Level	$\frac{\Delta R}{R} (T_o, \Delta P)$	Para. 9.2.1.1	Table 1(a), Item 12	%
5	Motional Inductance	$L_1$	Para. 9.2.1.3	Table 1(a), Item 13	mH
6	Static Capacitance	$C_o$	Para. 9.2.1.4	Table 1(a), Item 15	pF
7	Unwanted response	$R_p/R$ or $ Z_p /R$	Para. 9.2.1.5	Table 1(a), Item 17	-
8	Insulation Resistance	$R_i$	Para. 9.2.1.6	500 Min.	$M\Omega$



**TABLE 3 - ELECTRICAL MEASUREMENTS AT HIGH AND LOW TEMPERATURES**

No.	Characteristics	Symbol	ESA/SCC 3501 Test Method	Limits	Unit
9	Frequency variation with Temperature over T <sub>op</sub>	$\frac{\Delta f}{f} (\Delta T, P_0)$	Para. 9.2.1.2	Table 1(a) Item 8	10 <sup>-6</sup>
10	Resistance variation with Temperature over T <sub>op</sub>	$\frac{\Delta R}{R} (\Delta T, P_0)$	Para. 9.2.1.2	Table 1(a) Item 9	%

**FIGURE 4 - CIRCUITS FOR ELECTRICAL MEASUREMENTS**

Not applicable.

**TABLE 4 - PARAMETER DRIFT VALUES**

No.	Characteristics	Symbol	Spec. and/or Test Method	Test Conditions	Change Limits ( $\Delta$ )	Unit
1	Resonance frequency drift	$\frac{\Delta f}{f}$	As per Table 2	As per Table 2	$\pm 2.0$	10 <sup>-6</sup>
2	Resonance resistance drift	$\frac{\Delta R}{R}$	As per Table 2	As per Table 2	$\pm 10$ or (1) $\pm 1.0$	%  $\Omega$

**NOTES** 1. Whichever is the highest value.**TABLE 5 - CONDITIONS FOR BURN-IN AND LIFE TEST**

No.	Characteristics	Symbol	Condition	Unit
1	Ambient Temperature	T <sub>amb</sub>	+ 85 $\pm$ 5	°C

**FIGURE 5 - ELECTRICAL CIRCUIT FOR BURN-IN AND LIFE TEST**

Not applicable.



4.8 ENVIRONMENTAL AND ENDURANCE TESTS (CHARTS IV AND V OF ESA/SCC GENERIC SPECIFICATION NO. 3501)

4.8.1 Measurements and Inspections on Completion of Environmental Tests

The parameters to be measured and inspections to be performed on completion of environmental tests are scheduled in Table 6. Unless otherwise stated, the measurements shall be performed at  $T_{amb} = T_0 \pm 2 \text{ }^\circ\text{C}$ .

4.8.2 Measurements and Inspections at Intermediate Points and on Completion of Endurance Tests

The parameters to be measured and inspections to be performed at intermediate points and on completion of endurance tests are scheduled in Table 6. Unless otherwise stated, the measurements shall be performed at  $T_{amb} = T_0 \pm 2 \text{ }^\circ\text{C}$ .

4.8.3 Conditions for Operating Life Test (Part of Endurance Testing)

The requirements for the operating life test are specified in Section 9 of ESA/SCC Generic Specification No. 3501. The test shall be performed as a high temperature storage test and the temperature to be applied shall be the maximum operating temperature specified in the individual Tables 1(a) given in this specification.



**TABLE 6 - MEASUREMENTS AND INSPECTIONS ON COMPLETION OF ENVIRONMENTAL TESTS AND AT INTERMEDIATE POINTS AND ON COMPLETION OF ENDURANCE TESTING**

NO.	ESA/SCC GENERIC SPEC. NO. 3501		MEASUREMENTS AND INSPECTIONS		SYMBOL	LIMITS		UNIT
	ENVIRONMENTAL AND ENDURANCE TESTS (1)	TEST METHOD AND CONDITIONS	IDENTIFICATION	CONDITIONS		Min.	Max.	
01	Electrical Measurements at Reference Temperature	Para. 9.2.4	Electrical Measurements	Table 2		Table 1(a)		
02	Shock	Para. 9.3	<b>Initial Measurements</b> Resonance Frequency Resonance Resistance <b>Final Measurements</b> Resonance Frequency Drift Resonance Resistance Drift	Table 2 Item 1 Table 2 Item 2  Table 2 Item 1 Table 2 Item 2	f R  $\frac{\Delta f}{f}$ $\frac{\Delta R}{R}$ $\Delta R$	Table 2 Item 1 Table 2 Item 2  -1.0 -10 or (2) -1.0	+1.0 +1.0  +1.0 +1.0	10 <sup>-6</sup> %  Ω
03	Vibration	Para. 9.4	<b>Initial Measurements</b> Resonance Frequency Resonance Resistance <b>Final Measurements</b> Resonance Frequency Drift Resonance Resistance Drift	Table 2 Item 1 Table 2 Item 2  Table 2 Item 1 Table 2 Item 2	f R  $\frac{\Delta f}{f}$ $\frac{\Delta R}{R}$ $\Delta R$	Table 2 Item 1 Table 2 Item 2  -1.0 -10 or (2) -1.0	+1.0 +1.0  +1.0 +1.0	10 <sup>-6</sup> %  Ω
04	Seal Test	Para. 9.5	Fine Leak Gross Leak	Para. 9.5.1 Para. 9.5.2		Para. 9.5.1 Para. 9.5.2		
05	Permanence of Marking	Para. 9.8	<b>Final Measurements</b> Visual Examination	No corrosion or obliteration of marking	-	-	-	-
06	External Visual Inspection	Para. 9.9	<b>Final Measurements</b> Visual Inspection	ESA/SCC No. 20500	-	-	-	-
07	Solderability	Para. 9.13	-	-	-	-	-	-

**NOTES**

1. The tests in this table refer to either Chart IV or V, and shall be used as applicable.
2. Whichever is the highest value.



**TABLE 6 - MEASUREMENTS AND INSPECTIONS ON COMPLETION OF ENVIRONMENTAL TESTS AND AT INTERMEDIATE POINTS AND ON COMPLETION OF ENDURANCE TESTING (Cont.)**

NO.	ESA/SCC GENERIC SPEC. NO. 3501		MEASUREMENTS AND INSPECTIONS		SYMBOL	LIMITS		UNIT
	ENVIRONMENTAL AND ENDURANCE TESTS (1)	TEST METHOD AND CONDITIONS	IDENTIFICATION	CONDITIONS		Min.	Max.	
08	Climatic Sequence Dry Heat	Para. 9.14 Para. 9.14.1	<b>Initial Measurements</b>					
			Resonance Frequency	Table 2 Item 1	f	Table 2 Item 1		
			Resonance Resistance	Table 2 Item 2	R	Table 2 Item 2		
			<b>Final Measurements</b>					
09	Cold	Para. 9.14.3	Resonance Frequency	Table 2 Item 1	$\frac{\Delta f}{f}$	-2.0	+2.0	10 <sup>-6</sup>
			Drift		f			
			Resonance Resistance	Table 2 Item 2	$\frac{\Delta R}{R}$	-10	+10	%
			Drift		R	or (2)		
10	Damp Heat (Accelerated) Remaining Cycles	Para. 9.14.4	<b>Initial Measurements</b>					
			Resonance Frequency	Table 2 Item 1	f	Para. 9.14.1.3		
			Resonance Resistance	Table 2 Item 2	R	Final Measurements		
			<b>Final Measurements</b>					
11	Rapid Change of Temperature	Para. 9.15	Resonance Frequency	Table 2 Item 1	$\frac{\Delta f}{f}$	-2.0	+2.0	10 <sup>-6</sup>
			Drift		f			
			Resonance Resistance	Table 2 Item 2	$\frac{\Delta R}{R}$	-10	+10	%
			Drift		R	or (2)		
12	Robustness of Terminations	Para. 9.16	Tensile Strength	Gen. 3501 Para. 9.16.1				
			Visual Examination	No visible damage				
			Bending	Gen. 3501 Para. 9.16.2				
			Visual Examination	No visible damage				

**NOTES**

1. The tests in this table refer to either Chart IV or V, and shall be used as applicable.
2. Whichever is the highest value.



**TABLE 6 - MEASUREMENTS AND INSPECTIONS ON COMPLETION OF ENVIRONMENTAL TESTS AND AT INTERMEDIATE POINTS AND ON COMPLETION OF ENDURANCE TESTING (Cont.)**

NO.	ESA/SCC GENERIC SPEC. NO. 3501		MEASUREMENTS AND INSPECTIONS		SYMBOL	LIMITS		UNIT
	ENVIRONMENTAL AND ENDURANCE TESTS (1)	TEST METHOD AND CONDITIONS	IDENTIFICATION	CONDITIONS		Min.	Max.	
13	Life Test	Para. 9.17	<b>Initial Measurements</b>					
			Resonance Frequency	Table 2 Item 1	f	Table 2 Item 1		
			Resonance Resistance	Table 2 Item 2	R	Table 2 Item 2		
			<b>Intermediate Measurements</b>	At 500 hours				
			Resonance Frequency	Table 2 Item 1	$\frac{\Delta f}{f}$	-2.0	+2.0	10 <sup>-6</sup>
			Drift					
			Resonance Resistance	Table 2 Item 2	$\frac{\Delta R}{R}$	-10	+10	%
			Drift			or (2)		
					$\Delta R$	-1.0	+1.0	Ω
			<b>Intermediate Measurements (Chart IV) and Final Measurements (Chart V)</b>	At 1000 hours				
			Resonance Frequency	Table 2 Item 1	$\frac{\Delta f}{f}$	-2.5	+2.5	10 <sup>-6</sup>
			Drift					
			Resonance Resistance	Table 2 Item 2	$\frac{\Delta R}{R}$	-10	+10	%
Drift			or (2)					
		$\Delta R$	-1.0	+1.0	Ω			
<b>Final Measurements (Chart IV)</b>	At 2000 hours							
Resonance Frequency	Table 2 Item 1	$\frac{\Delta f}{f}$	-3.0	+3.0	10 <sup>-6</sup>			
Drift								
Resonance Resistance	Table 2 Item 2	$\frac{\Delta R}{R}$	-10	+10	%			
Drift			or (2)					
		$\Delta R$	-1.0	+1.0	Ω			

**NOTES**

1. The tests in this table refer to either Chart IV or V, and shall be used as applicable.
2. Whichever is the highest value.

**TABLE 1(a) - TYPE VARIANT DETAILED INFORMATION****TYPE VARIANT NO. 01**

No.	Characteristics	Symbol	Limits		Unit	Remarks
			Min.	Max.		
1	Resonance Frequency	$f_L$	3.317		MHz	
2	Reference Temperature	$T_o$	+ 25		°C	
3	Overtone Order	-	Fundamental			
4	Load Capacitance	$C_L$	-	19	pF	
5	Rated Drive Level	$P_o$	0.1		mW	
6	Frequency Adjustment Tolerance	$\frac{\Delta f}{f}$	-1000	+ 1000	$10^{-6}$	At $T_o$ °C
7	Resonance Resistance	$R_L$	-	50	$\Omega$	Over $T_{op}$ °C
8	Frequency Variation with Temperature over $T_{op}$	$\frac{\Delta f}{f}$	-1000	+ 1000	$10^{-6}$	From frequency measured at $T_o$ °C
9	Resistance Variation with Temperature over $T_{op}$	$\frac{\Delta R}{R}$	Not applicable		%	
10	Operating Temperature Range	$T_{op}$	-20	+ 60	°C	
11	Frequency variation with Drive Level	$\frac{\Delta f}{f}$	-1000	+ 1000	$10^{-6}$	From $P_{S1} = 0.05mW$ to $P_{S2} = 0.2mW$
12	Resistance variation with Drive Level	$\frac{\Delta R}{R}$	Not applicable		%	
13	Motional Inductance	$L_1$	Not applicable		mH	
14	Motional Capacitance	$C_1$	Not applicable		fF	
15	Static Capacitance	$C_o$	Not applicable		pF	
16	Q Factor	Q	Not applicable		-	
17	Ratio of Unwanted: Response Resistance to Resonance Resistance or Response Impedance to Resonance Resistance	$R_p/R$ or $ Z_p /R$	Not applicable			
18	Ageing	$\frac{\Delta f}{f}$	Not applicable		$10^{-6}$	
19	Lead Finish	-	2		-	



**TABLE 1(a) - TYPE VARIANT DETAILED INFORMATION**

TYPE VARIANT NO. 02

No.	Characteristics	Symbol	Limits		Unit	Remarks
			Min.	Max.		
1	Resonance Frequency	$f_L$	2.496 & 2.5344		MHz	
2	Reference Temperature	$T_0$	+ 25		°C	
3	Overtone Order	-	Fundamental			
4	Load Capacitance	$C_L$	30		pF	
5	Rated Drive Level	$P_0$	0.1		mW	
6	Frequency Adjustment Tolerance	$\frac{\Delta f}{f}$	-15	+ 15	$10^{-6}$	At $T_0$ °C
7	Resonance Resistance	$R_L$	-	130	$\Omega$	Over $T_{op}$ °C
8	Frequency Variation with Temperature over $T_{op}$	$\frac{\Delta f}{f}$	-20	+ 20	$10^{-6}$	From frequency measured at $T_0$ °C
9	Resistance Variation with Temperature over $T_{op}$	$\frac{\Delta R}{R}$	Not applicable		%	
10	Operating Temperature Range	$T_{op}$	-20	+ 50	°C	
11	Frequency variation with Drive Level	$\frac{\Delta f}{f}$	Not applicable		$10^{-6}$	
12	Resistance variation with Drive Level	$\frac{\Delta R}{R}$	Not applicable		%	
13	Motional Inductance	$L_1$	Not applicable		mH	
14	Motional Capacitance	$C_1$	Not applicable		fF	
15	Static Capacitance	$C_0$	-	3.5	pF	
16	Q Factor	Q	80 000	-	-	
17	Ratio of Unwanted: Response Resistance to Resonance Resistance or Response Impedance to Resonance Resistance	$R_p/R$ or $ Z_p /R$	2:1	-		In the frequency range: $f_L - 200\text{kHz}$ to $f_L + 200\text{kHz}$
18	Ageing	$\frac{\Delta f}{f}$	-5.0	+ 5.0	$10^{-6}$	After burn-in and per year
19	Lead Finish	-	2			



**TABLE 1(a) - TYPE VARIANT DETAILED INFORMATION**

TYPE VARIANT NO. 03

No.	Characteristics	Symbol	Limits		Unit	Remarks
			Min.	Max.		
1	Resonance Frequency	$f_L$	2.8		MHz	
2	Reference Temperature	$T_o$	+ 25		°C	
3	Overtone Order	-	Fundamental			
4	Load Capacitance	$C_L$	20		pF	
5	Rated Drive Level	$P_o$	0.1		mW	
6	Frequency Adjustment Tolerance	$\frac{\Delta f}{f}$	-20	+ 20	$10^{-6}$	At $T_o$ °C
7	Resonance Resistance	$R_L$	-	50	$\Omega$	Over $T_{op}$ °C
8	Frequency Variation with Temperature over $T_{op}$	$\frac{\Delta f}{f}$	-20	+ 20	$10^{-6}$	From frequency measured at $T_o$ °C
9	Resistance Variation with Temperature over $T_{op}$	$\frac{\Delta R}{R}$	Not applicable		%	
10	Operating Temperature Range	$T_{op}$	-30	+ 60	°C	
11	Frequency variation with Drive Level	$\frac{\Delta f}{f}$	Not applicable		$10^{-6}$	
12	Resistance variation with Drive Level	$\frac{\Delta R}{R}$	Not applicable		%	
13	Motional Inductance	$L_1$	Not applicable		mH	
14	Motional Capacitance	$C_1$	Not applicable		fF	
15	Static Capacitance	$C_o$	-	5.0	pF	
16	Q Factor	Q	50 000	-	-	
17	Ratio of Unwanted: Response Resistance to Resonance Resistance or Response Impedance to Resonance Resistance	$R_p/R$ or $ Z_p /R$	3:1	-		In the frequency range: $f_L - 200\text{kHz}$ to $f_L + 200\text{kHz}$
18	Ageing	$\frac{\Delta f}{f}$	-5.0	+ 5.0	$10^{-6}$	After burn-in and per year
19	Lead Finish	-	2		-	





**TABLE 1(a) - TYPE VARIANT DETAILED INFORMATION**

**TYPE VARIANT NO. 04**

No.	Characteristics	Symbol	Limits		Unit	Remarks
			Min.	Max.		
1	Resonance Frequency	$f_L$	2.7 to 5.0		MHz	
2	Reference Temperature	$T_o$	+ 25		°C	
3	Overtone Order	-	Fundamental			
4	Load Capacitance	$C_L$	30		pF	
5	Rated Drive Level	$P_o$	0.1		mW	
6	Frequency Adjustment Tolerance	$\frac{\Delta f}{f}$	-10	+ 10	$10^{-6}$	At $T_o$ °C
7	Resonance Resistance	$R_L$	-	100	$\Omega$	Over $T_{op}$ °C
8	Frequency Variation with Temperature over $T_{op}$	$\frac{\Delta f}{f}$	-40	+ 40	$10^{-6}$	From frequency measured at $T_o$ °C
9	Resistance Variation with Temperature over $T_{op}$	$\frac{\Delta R}{R}$	Not applicable		%	
10	Operating Temperature Range	$T_{op}$	-40	+ 80	°C	
11	Frequency variation with Drive Level	$\frac{\Delta f}{f}$	Not applicable		$10^{-6}$	
12	Resistance variation with Drive Level	$\frac{\Delta R}{R}$	Not applicable		%	
13	Motional Inductance	$L_1$	Not applicable		mH	
14	Motional Capacitance	$C_1$	Not applicable		fF	
15	Static Capacitance	$C_o$	Not applicable		pF	
16	Q Factor	Q	Not applicable		-	
17	Ratio of Unwanted: Response Resistance to Resonance Resistance or Response Impedance to Resonance Resistance	$R_p/R$ $ Z_p /R$	4:1	-		In the frequency range: $f_L -10\%$ to $f_L +10\%$
18	Ageing	$\frac{\Delta f}{f}$	Not applicable		$10^{-6}$	
19	Lead Finish	-	2		-	



**TABLE 1(a) - TYPE VARIANT DETAILED INFORMATION**

TYPE VARIANT NO. 05

No.	Characteristics	Symbol	Limits		Unit	Remarks
			Min.	Max.		
1	Resonance Frequency	$f_r$	3.2768		MHz	
2	Reference Temperature	$T_o$	+ 25		°C	
3	Overtone Order	-	Fundamental			
4	Load Capacitance	$C_L$	$\infty$		pF	
5	Rated Drive Level	$P_o$	0.1		mW	
6	Frequency Adjustment Tolerance	$\frac{\Delta f}{f}$	-15	+ 15	$10^{-6}$	At $T_o$ °C
7	Resonance Resistance	$R_r$	-	100	$\Omega$	Over $T_{op}$ °C
8	Frequency Variation with Temperature over $T_{op}$	$\frac{\Delta f}{f}$	Not applicable		$10^{-6}$	
9	Resistance Variation with Temperature over $T_{op}$	$\frac{\Delta R}{R}$	Not applicable		%	
10	Operating Temperature Range	$T_{op}$	-20	+ 70	°C	
11	Frequency variation with Drive Level	$\frac{\Delta f}{f}$	Not applicable		$10^{-6}$	
12	Resistance variation with Drive Level	$\frac{\Delta R}{R}$	Not applicable		%	
13	Motional Inductance	$L_1$	Not applicable		mH	
14	Motional Capacitance	$C_1$	Not applicable		fF	
15	Static Capacitance	$C_o$	-	4.0	pF	
16	Q Factor	Q	80 000	-	-	
17	Ratio of Unwanted: Response Resistance to Resonance Resistance or Response Impedance to Resonance Resistance	$R_p/R$ or $ Z_p /R$	2:1	-		In the frequency range: $f_r - 200\text{kHz}$ to $f_r + 200\text{kHz}$
18	Ageing	$\frac{\Delta f}{f}$	Not applicable		$10^{-6}$	
19	Lead Finish	-	2		-	



**TABLE 1(a) - TYPE VARIANT DETAILED INFORMATION**

TYPE VARIANT NO. 06

No.	Characteristics	Symbol	Limits		Unit	Remarks
			Min.	Max.		
1	Resonance Frequency	$f_r$	4.095		MHz	
2	Reference Temperature	$T_0$	+25		°C	
3	Overtone Order	-	Fundamental			
4	Load Capacitance	$C_L$	$\infty$		pF	
5	Rated Drive Level	$P_0$	0.1		mW	
6	Frequency Adjustment Tolerance	$\frac{\Delta f}{f}$	-5.0	+5.0	$10^{-6}$	At $T_0$ °C
7	Resonance Resistance	$R_r$	-	15	$\Omega$	At $T_0$ °C
8	Frequency Variation with Temperature over $T_{op}$	$\frac{\Delta f}{f}$	-10	+10	$10^{-6}$	From frequency measured at $T_0$ °C
9	Resistance Variation with Temperature over $T_{op}$	$\frac{\Delta R}{R}$	-10 or -1.5	+10 +1.5	% $\Omega$	From resistance measured at $T_0$ °C If $R < 10\Omega$
10	Operating Temperature Range	$T_{op}$	-30	+60	°C	
11	Frequency variation with Drive Level	$\frac{\Delta f}{f}$	Not applicable		$10^{-6}$	
12	Resistance variation with Drive Level	$\frac{\Delta R}{R}$	Not applicable		%	
13	Motional Inductance	$L_1$	157.5	192.5	mH	
14	Motional Capacitance	$C_1$	Not applicable		fF	
15	Static Capacitance	$C_0$	Not applicable		pF	
16	Q Factor	Q	Not applicable		-	
17	Ratio of Unwanted: Response Resistance to Resonance Resistance or Response Impedance to Resonance Resistance	$R_p/R$ or $ Z_p /R$	3:1	-		In the frequency range: $f_r - 10\text{kHz}$ to $f_r + 10\text{kHz}$
18	Ageing	$\frac{\Delta f}{f}$	-2.0	+2.0	$10^{-6}$	After burn-in and per year
19	Lead Finish	-	2			



**TABLE 1(a) - TYPE VARIANT DETAILED INFORMATION**

TYPE VARIANT NO. 07

No.	Characteristics	Symbol	Limits		Unit	Remarks
			Min.	Max.		
1	Resonance Frequency	$f_L$	5.0		MHz	
2	Reference Temperature	$T_o$	+ 40		°C	
3	Overtone Order	-	Fundamental			
4	Load Capacitance	$C_L$	30		pF	
5	Rated Drive Level	$P_o$	0.1		mW	
6	Frequency Adjustment Tolerance	$\frac{\Delta f}{f}$	-10	+ 10	$10^{-6}$	At $T_o$ °C
7	Resonance Resistance	$R_r$	-	20	$\Omega$	Over $T_{op}$ °C
8	Frequency Variation with Temperature over $T_{op}$	$\frac{\Delta f}{f}$	-10	+ 10	$10^{-6}$	From frequency measured at $T_o$ °C
9	Resistance Variation with Temperature over $T_{op}$	$\frac{\Delta R}{R}$	Not applicable		%	
10	Operating Temperature Range	$T_{op}$	-10	+ 70	°C	
11	Frequency variation with Drive Level	$\frac{\Delta f}{f}$	Not applicable		$10^{-6}$	
12	Resistance variation with Drive Level	$\frac{\Delta R}{R}$	Not applicable		%	
13	Motional Inductance	$L_1$	76.5	103.5	mH	
14	Motional Capacitance	$C_1$	Not applicable		fF	
15	Static Capacitance	$C_o$	-	4.0	pF	
16	Q Factor	Q	100 000	-	-	
17	Ratio of Unwanted: Response Resistance to Resonance Resistance or Response Impedance to Resonance Resistance	$R_p/R$ or $ Z_p /R$	2:1	-		In the frequency range: $f_L - 500kHz$ to $f_L + 500kHz$
18	Ageing	$\frac{\Delta f}{f}$	-10	+ 10	$10^{-6}$	Over 5 years of storage and 3000 operating hours
19	Lead Finish	-	2		-	



**TABLE 1(a) - TYPE VARIANT DETAILED INFORMATION**

TYPE VARIANT NO. 08

No.	Characteristics	Symbol	Limits		Unit	Remarks
			Min.	Max.		
1	Resonance Frequency	$f_L$	5.105555		MHz	
2	Reference Temperature	$T_0$	+ 25		°C	
3	Overtone Order	-	Fundamental			
4	Load Capacitance	$C_L$	30		pF	
5	Rated Drive Level	$P_0$	0.1		mW	
6	Frequency Adjustment Tolerance	$\frac{\Delta f}{f}$	-10	+ 10	$10^{-6}$	At $T_0$ °C
7	Resonance Resistance	$R_r$	-	15	$\Omega$	Over $T_{op}$ °C
8	Frequency Variation with Temperature over $T_{op}$	$\frac{\Delta f}{f}$	-50	+ 50	$10^{-6}$	From frequency measured at $T_0$ °C
9	Resistance Variation with Temperature over $T_{op}$	$\frac{\Delta R}{R}$	Not applicable		%	
10	Operating Temperature Range	$T_{op}$	-55	+ 105	°C	
11	Frequency variation with Drive Level	$\frac{\Delta f}{f}$	Not applicable		$10^{-6}$	
12	Resistance variation with Drive Level	$\frac{\Delta R}{R}$	Not applicable		%	
13	Motional Inductance	$L_1$	Not applicable		mH	
14	Motional Capacitance	$C_1$	Not applicable		fF	
15	Static Capacitance	$C_0$	-	7.0	pF	
16	Q Factor	Q	100 000	-	-	
17	Ratio of Unwanted: Response Resistance to Resonance Resistance or Response Impedance to Resonance Resistance	$R_p/R$ or $ Z_p /R$	3:1	-		In the frequency range: $f_L - 200\text{kHz}$ to $f_L + 200\text{kHz}$
18	Ageing	$\frac{\Delta f}{f}$	-2.0	+ 2.0	$10^{-6}$	After burn-in and per year
19	Lead Finish	-	2			



**TABLE 1(a) - TYPE VARIANT DETAILED INFORMATION**

TYPE VARIANT NO. 09

No.	Characteristics	Symbol	Limits		Unit	Remarks
			Min.	Max.		
1	Resonance Frequency	$f_L$	5.333 to 5.334		MHz	
2	Reference Temperature	$T_0$	+ 15		°C	
3	Overtone Order	-	Fundamental			
4	Load Capacitance	$C_L$	140		pF	
5	Rated Drive Level	$P_0$	0.1		mW	
6	Frequency Adjustment Tolerance	$\frac{\Delta f}{f}$	-7.0	+7.0	$10^{-6}$	At $T_0$ °C
7	Resonance Resistance	$R_r$	-	15	$\Omega$	Over $T_{op}$ °C
8	Frequency Variation with Temperature over $T_{op}$	$\frac{\Delta f}{f}$	Not applicable		$10^{-6}$	
9	Resistance Variation with Temperature over $T_{op}$	$\frac{\Delta R}{R}$	Not applicable		%	
10	Operating Temperature Range	$T_{op}$	-20	+60	°C	
11	Frequency variation with Drive Level	$\frac{\Delta f}{f}$	Not applicable		$10^{-6}$	
12	Resistance variation with Drive Level	$\frac{\Delta R}{R}$	Not applicable		%	
13	Motional Inductance	$L_1$	Not applicable		mH	
14	Motional Capacitance	$C_1$	Not applicable		fF	
15	Static Capacitance	$C_0$	Not applicable		pF	
16	Q Factor	Q	Not applicable		-	
17	Ratio of Unwanted: Response Resistance to Resonance Resistance or Response Impedance to Resonance Resistance	$R_p/R$ or $ Z_p /R$	Not applicable			
18	Ageing	$\frac{\Delta f}{f}$	Not applicable		$10^{-6}$	
19	Lead Finish	-	2		-	



**TABLE 1(a) - TYPE VARIANT DETAILED INFORMATION**

TYPE VARIANT NO. 10

No.	Characteristics	Symbol	Limits		Unit	Remarks
			Min.	Max.		
1	Resonance Frequency	$f_L$	5.661448		MHz	
2	Reference Temperature	$T_0$	+25		°C	
3	Overtone Order	-	Fundamental			
4	Load Capacitance	$C_L$	22	33	pF	
5	Rated Drive Level	$P_0$	0.1		mW	
6	Frequency Adjustment Tolerance	$\frac{\Delta f}{f}$	Not applicable		$10^{-6}$	
7	Resonance Resistance	$R_r$	-	25	$\Omega$	Over $T_{op}$ °C
8	Frequency Variation with Temperature over $T_{op}$	$\frac{\Delta f}{f}$	-5.0	+5.0	$10^{-6}$	From frequency measured at $T_0$ °C
9	Resistance Variation with Temperature over $T_{op}$	$\frac{\Delta R}{R}$	Not applicable		%	
10	Operating Temperature Range	$T_{op}$	-30	+60	°C	
11	Frequency variation with Drive Level	$\frac{\Delta f}{f}$	Not applicable		$10^{-6}$	
12	Resistance variation with Drive Level	$\frac{\Delta R}{R}$	Not applicable		%	
13	Motional Inductance	$L_1$	Not applicable		mH	
14	Motional Capacitance	$C_1$	Not applicable		fF	
15	Static Capacitance	$C_0$	3.2	4.0	pF	
16	Q Factor	Q	Not applicable		-	
17	Ratio of Unwanted: Response Resistance to Resonance Resistance or Response Impedance to Resonance Resistance	$R_p/R$ or $ Z_p /R$	3:1	-		In the frequency range: $f_L - 200kHz$ to $f_L + 200kHz$
18	Ageing	$\frac{\Delta f}{f}$	Not applicable		$10^{-6}$	
19	Lead Finish	-	2			



**TABLE 1(a) - TYPE VARIANT DETAILED INFORMATION**

TYPE VARIANT NO. 11

No.	Characteristics	Symbol	Limits		Unit	Remarks
			Min.	Max.		
1	Resonance Frequency	$f_r$	8.7 to 10.7		MHz	
2	Reference Temperature	$T_0$	+ 25		°C	
3	Overtone Order	-	Fundamental			
4	Load Capacitance	$C_L$	$\infty$		pF	
5	Rated Drive Level	$P_0$	0.1		mW	
6	Frequency Adjustment Tolerance	$\frac{\Delta f}{f}$	-10	+ 10	$10^{-6}$	At $T_0$ °C
7	Resonance Resistance	$R_r$	-	15	$\Omega$	Over $T_{op}$ °C
8	Frequency Variation with Temperature over $T_{op}$	$\frac{\Delta f}{f}$	-40	+ 40	$10^{-6}$	From frequency measured at $T_0$ °C
9	Resistance Variation with Temperature over $T_{op}$	$\frac{\Delta R}{R}$	Not applicable		%	
10	Operating Temperature Range	$T_{op}$	-40	+ 80	°C	
11	Frequency variation with Drive Level	$\frac{\Delta f}{f}$	Not applicable		$10^{-6}$	
12	Resistance variation with Drive Level	$\frac{\Delta R}{R}$	Not applicable		%	
13	Motional Inductance	$L_1$	Not applicable		mH	
14	Motional Capacitance	$C_1$	Not applicable		fF	
15	Static Capacitance	$C_0$	Not applicable		pF	
16	Q Factor	Q	Not applicable		-	
17	Ratio of Unwanted: Response Resistance to Resonance Resistance or Response Impedance to Resonance Resistance	$R_p/R$ or $ Z_p /R$	4:1	-		In the frequency range: $f_r - 10\%$ to $f_r + 10\%$
18	Ageing	$\frac{\Delta f}{f}$	Not applicable		$10^{-6}$	
19	Lead Finish	-	2			





**TABLE 1(a) - TYPE VARIANT DETAILED INFORMATION**

TYPE VARIANT NO. 12

	Characteristics	Symbol	Limits		Unit	Remarks
			Min.	Max.		
1	Resonance Frequency	$f_r$	10.0		MHz	
2	Reference Temperature	$T_o$	+ 60		°C	
3	Overtone Order	-	Fundamental			
4	Load Capacitance	$C_L$	$\infty$		pF	
5	Rated Drive Level	$P_o$	0.1		mW	
6	Frequency Adjustment Tolerance	$\frac{\Delta f}{f}$	-10	+ 10	$10^{-6}$	At $T_o$ °C
7	Resonance Resistance	$R_r$	-	20	$\Omega$	Over $T_{op}$ °C
8	Frequency Variation with Temperature over $T_{op}$	$\frac{\Delta f}{f}$	-15	+ 15	$10^{-6}$	From frequency measured at $T_o$ °C
9	Resistance Variation with Temperature over $T_{op}$	$\frac{\Delta R}{R}$	Not applicable		%	
10	Operating Temperature Range	$T_{op}$	-20	+ 70	°C	
11	Frequency variation with Drive Level	$\frac{\Delta f}{f}$	Not applicable		$10^{-6}$	
12	Resistance variation with Drive Level	$\frac{\Delta R}{R}$	Not applicable		%	
13	Motional Inductance	$L_1$	Not applicable		mH	
14	Motional Capacitance	$C_1$	Not applicable		fF	
15	Static Capacitance	$C_o$	-	4.5	pF	
16	Q Factor	Q	Not applicable		-	
17	Ratio of Unwanted: Response Resistance to Resonance Resistance or Response Impedance to Resonance Resistance	$R_p/R$ or $ Z_{pl}/R$	3:1	-		In the frequency range: $f_r - 200\text{kHz}$ to $f_r + 200\text{kHz}$
18	Ageing	$\frac{\Delta f}{f}$	-3.0	+ 3.0	$10^{-6}$	After burn-in and per year
19	Lead Finish	-	2		-	



**TABLE 1(a) - TYPE VARIANT DETAILED INFORMATION**

**TYPE VARIANT NO. 13**

No.	Characteristics	Symbol	Limits		Unit	Remarks
			Min.	Max.		
1	Resonance Frequency	$f_L$	10.0		MHz	
2	Reference Temperature	$T_o$	+ 25		°C	
3	Overtone Order	-	Fundamental			
4	Load Capacitance	$C_L$	50		pF	
5	Rated Drive Level	$P_o$	0.1		mW	
6	Frequency Adjustment Tolerance	$\frac{\Delta f}{f}$	-10	+ 10	$10^{-6}$	At $T_o$ °C
7	Resonance Resistance	$R_L$	-	20	$\Omega$	Over $T_{op}$ °C
8	Frequency Variation with Temperature over $T_{op}$	$\frac{\Delta f}{f}$	-10	+ 10	$10^{-6}$	From frequency measured at $T_o$ °C
9	Resistance Variation with Temperature over $T_{op}$	$\frac{\Delta R}{R}$	Not applicable		%	
10	Operating Temperature Range	$T_{op}$	-10	+ 80	°C	
11	Frequency variation with Drive Level	$\frac{\Delta f}{f}$	Not applicable		$10^{-6}$	
12	Resistance variation with Drive Level	$\frac{\Delta R}{R}$	Not applicable		%	
13	Motional Inductance	$L_1$	12.15	16.45	mH	
14	Motional Capacitance	$C_1$	Not applicable		fF	
15	Static Capacitance	$C_o$	-	5.0	pF	
16	Q Factor	Q	100 000	-	-	
17	Ratio of Unwanted: Response Resistance to Resonance Resistance or Response Impedance to Resonance Resistance	$R_p/R$ or $ Z_p /R$	3:1	-		In the frequency range: $f_L - 500\text{kHz}$ to $f_L + 500\text{kHz}$
18	Ageing	$\frac{\Delta f}{f}$	-2.0	+ 2.0	$10^{-6}$	After burn-in and per year
19	Lead Finish	-	2		-	



**TABLE 1(a) - TYPE VARIANT DETAILED INFORMATION**

TYPE VARIANT NO. 14

No.	Characteristics	Symbol	Limits		Unit	Remarks
			Min.	Max.		
1	Resonance Frequency	$f_L$	10.7		MHz	
2	Reference Temperature	$T_o$	+25		°C	
3	Overtone Order	-	Fundamental			
4	Load Capacitance	$C_L$	30		pF	
5	Rated Drive Level	$P_o$	0.1		mW	
6	Frequency Adjustment Tolerance	$\frac{\Delta f}{f}$	-10	+10	$10^{-6}$	At $T_o$ °C
7	Resonance Resistance	$R_L$	-	15	$\Omega$	Over $T_{op}$ °C
8	Frequency Variation with Temperature over $T_{op}$	$\frac{\Delta f}{f}$	-50	+50	$10^{-6}$	From frequency measured at $T_o$ °C
9	Resistance Variation with Temperature over $T_{op}$	$\frac{\Delta R}{R}$	Not applicable		%	
10	Operating Temperature Range	$T_{op}$	-55	+105	°C	
11	Frequency variation with Drive Level	$\frac{\Delta f}{f}$	Not applicable		$10^{-6}$	
12	Resistance variation with Drive Level	$\frac{\Delta R}{R}$	Not applicable		%	
13	Motional Inductance	$L_1$	Not applicable		mH	
14	Motional Capacitance	$C_1$	Not applicable		fF	
15	Static Capacitance	$C_o$	-	7.0	pF	
16	Q Factor	Q	70 000	-	-	
17	Ratio of Unwanted: Response Resistance to Resonance Resistance or Response Impedance to Resonance Resistance	$R_p/R$ or $ Z_p /R$	3:1	-		In the frequency range: $f_L$ -200kHz to $f_L$ +200kHz
18	Ageing	$\frac{\Delta f}{f}$	-2.0	+2.0	$10^{-6}$	After burn-in and per year
19	Lead Finish	-	2		-	



**TABLE 1(a) - TYPE VARIANT DETAILED INFORMATION**

TYPE VARIANT NO. 15

No.	Characteristics	Symbol	Limits		Unit	Remarks
			Min.	Max.		
1	Resonance Frequency	$f_L$	11.0		MHz	
2	Reference Temperature	$T_0$	+25		°C	
3	Overtone Order	-	Fundamental			
4	Load Capacitance	$C_L$	30		pF	
5	Rated Drive Level	$P_0$	0.1		mW	
6	Frequency Adjustment Tolerance	$\frac{\Delta f}{f}$	-10	+10	10 <sup>-6</sup>	At $T_0$ °C
7	Resonance Resistance	$R_L$	-	15	Ω	Over $T_{op}$ °C
8	Frequency Variation with Temperature over $T_{op}$	$\frac{\Delta f}{f}$	-50	+50	10 <sup>-6</sup>	From frequency measured at $T_0$ °C
9	Resistance Variation with Temperature over $T_{op}$	$\frac{\Delta R}{R}$	Not applicable		%	
10	Operating Temperature Range	$T_{op}$	-55	+105	°C	
11	Frequency variation with Drive Level	$\frac{\Delta f}{f}$	Not applicable		10 <sup>-6</sup>	
12	Resistance variation with Drive Level	$\frac{\Delta R}{R}$	Not applicable		%	
13	Motional Inductance	$L_1$	Not applicable		mH	
14	Motional Capacitance	$C_1$	Not applicable		fF	
15	Static Capacitance	$C_0$	-	7.0	pF	
16	Q Factor	Q	70 000	-	-	
17	Ratio of Unwanted: Response Resistance to Resonance Resistance or Response Impedance to Resonance Resistance	$R_p/R$ or $ Z_p /R$	3:1	-		In the frequency range: $f_L - 200\text{kHz}$ to $f_L + 200\text{kHz}$
18	Ageing	$\frac{\Delta f}{f}$	-2.0	+2.0	10 <sup>-6</sup>	After burn-in and per year
19	Lead Finish	-	2			



**TABLE 1(a) - TYPE VARIANT DETAILED INFORMATION**

TYPE VARIANT NO. 16

No.	Characteristics	Symbol	Limits		Unit	Remarks
			Min.	Max.		
1	Resonance Frequency	$f_L$	11.433333		MHz	
2	Reference Temperature	$T_o$	+25		°C	
3	Overtone Order	-	Fundamental			
4	Load Capacitance	$C_L$	20		pF	
5	Rated Drive Level	$P_o$	0.1		mW	
6	Frequency Adjustment Tolerance	$\frac{\Delta f}{f}$	-5.0	+5.0	10 <sup>-6</sup>	At $T_o$ °C
7	Resonance Resistance	$R_L$	-	15	Ω	Over $T_{op}$ °C
8	Frequency Variation with Temperature over $T_{op}$	$\frac{\Delta f}{f}$	-8.0	+8.0	10 <sup>-6</sup>	From frequency measured at $T_o$ °C
9	Resistance Variation with Temperature over $T_{op}$	$\frac{\Delta R}{R}$	Not applicable		%	
10	Operating Temperature Range	$T_{op}$	-20	+80	°C	
11	Frequency variation with Drive Level	$\frac{\Delta f}{f}$	Not applicable		10 <sup>-6</sup>	
12	Resistance variation with Drive Level	$\frac{\Delta R}{R}$	Not applicable		%	
13	Motional Inductance	$L_1$	Not applicable		mH	
14	Motional Capacitance	$C_1$	Not applicable		fF	
15	Static Capacitance	$C_o$	-	5.0	pF	
16	Q Factor	Q	Not applicable		-	
17	Ratio of Unwanted: Response Resistance to Resonance Resistance or Response Impedance to Resonance Resistance	$R_p/R$ $ Z_p /R$	2:1	-		In the frequency range: $f_L$ -200kHz to $f_L$ +200kHz
18	Ageing	$\frac{\Delta f}{f}$	-2.0	+2.0	10 <sup>-6</sup>	After burn-in and per year
19	Lead Finish	-	2		-	



**TABLE 1(a) - TYPE VARIANT DETAILED INFORMATION**

TYPE VARIANT NO. 17

	Characteristics	Symbol	Limits		Unit	Remarks
			Min.	Max.		
1	Resonance Frequency	$f_L$	12.8		MHz	
2	Reference Temperature	$T_0$	+25		°C	
3	Overtone Order	-	Fundamental			
4	Load Capacitance	$C_L$	30		pF	
5	Rated Drive Level	$P_0$	0.1		mW	
6	Frequency Adjustment Tolerance	$\frac{\Delta f}{f}$	-10	+10	$10^{-6}$	At $T_0$ °C
7	Resonance Resistance	$R_L$	-	15	$\Omega$	Over $T_{op}$ °C
8	Frequency Variation with Temperature over $T_{op}$	$\frac{\Delta f}{f}$	-50	+50	$10^{-6}$	From frequency measured at $T_0$ °C
9	Resistance Variation with Temperature over $T_{op}$	$\frac{\Delta R}{R}$	Not applicable		%	
10	Operating Temperature Range	$T_{op}$	-55	+105	°C	
11	Frequency variation with Drive Level	$\frac{\Delta f}{f}$	Not applicable		$10^{-6}$	
12	Resistance variation with Drive Level	$\frac{\Delta R}{R}$	Not applicable		%	
13	Motional Inductance	$L_1$	Not applicable		mH	
14	Motional Capacitance	$C_1$	Not applicable		fF	
15	Static Capacitance	$C_0$	-	7.0	pF	
16	Q Factor	Q	70 000	-	-	
17	Ratio of Unwanted: Response Resistance to Resonance Resistance or Response Impedance to Resonance Resistance	$R_p/R$  $ Z_p /R$	3:1	-		In the frequency range: $f_L - 200\text{kHz}$ to $f_L + 200\text{kHz}$
18	Ageing	$\frac{\Delta f}{f}$	-2.0	+2.0	$10^{-6}$	After burn-in and per year
19	Lead Finish	-	2		-	



**TABLE 1(a) - TYPE VARIANT DETAILED INFORMATION**

TYPE VARIANT NO. 18

No.	Characteristics	Symbol	Limits		Unit	Remarks
			Min.	Max.		
1	Resonance Frequency	$f_r$	14.7456		MHz	
2	Reference Temperature	$T_o$	+ 25		°C	
3	Overtone Order	-	Fundamental			
4	Load Capacitance	$C_L$	$\infty$		pF	
5	Rated Drive Level	$P_o$	0.1		mW	
6	Frequency Adjustment Tolerance	$\frac{\Delta f}{f}$	-10	+ 10	$10^{-6}$	At $T_o$ °C
7	Resonance Resistance	$R_r$	-	25	$\Omega$	Over $T_{op}$ °C
8	Frequency Variation with Temperature over $T_{op}$	$\frac{\Delta f}{f}$	-15	+ 15	$10^{-6}$	From frequency measured at $T_o$ °C
9	Resistance Variation with Temperature over $T_{op}$	$\frac{\Delta R}{R}$	Not applicable		%	
10	Operating Temperature Range	$T_{op}$	-20	+ 70	°C	
11	Frequency variation with Drive Level	$\frac{\Delta f}{f}$	Not applicable		$10^{-6}$	
12	Resistance variation with Drive Level	$\frac{\Delta R}{R}$	Not applicable		%	
13	Motional Inductance	$L_1$	Not applicable		mH	
14	Motional Capacitance	$C_1$	Not applicable		fF	
15	Static Capacitance	$C_o$	-	7.0	pF	
16	Q Factor	Q	50 000	-	-	
17	Ratio of Unwanted: Response Resistance to Resonance Resistance or Response Impedance to Resonance Resistance	$R_p/R$ or $ Z_p /R$	Not applicable			
18	Ageing	$\frac{\Delta f}{f}$	-5.0	+ 5.0	$10^{-6}$	After burn-in and per year
19	Lead Finish	-	2		-	



**TABLE 1(a) - TYPE VARIANT DETAILED INFORMATION**

TYPE VARIANT NO. 19

No.	Characteristics	Symbol	Limits		Unit	Remarks
			Min.	Max.		
1	Resonance Frequency	$f_r$	12.0		MHz	
2	Reference Temperature	$T_o$	+25		°C	
3	Overtone Order	-	Fundamental			
4	Load Capacitance	$C_L$	$\infty$		pF	
5	Rated Drive Level	$P_o$	0.1		mW	
6	Frequency Adjustment Tolerance	$\frac{\Delta f}{f}$	-10	+10	$10^{-6}$	At $T_o$ °C
7	Resonance Resistance	$R_r$	-	25	$\Omega$	Over $T_{op}$ °C
8	Frequency Variation with Temperature over $T_{op}$	$\frac{\Delta f}{f}$	-15	+15	$10^{-6}$	From frequency measured at $T_o$ °C
9	Resistance Variation with Temperature over $T_{op}$	$\frac{\Delta R}{R}$	Not applicable		%	
10	Operating Temperature Range	$T_{op}$	-20	+70	°C	
11	Frequency variation with Drive Level	$\frac{\Delta f}{f}$	Not applicable		$10^{-6}$	
12	Resistance variation with Drive Level	$\frac{\Delta R}{R}$	Not applicable		%	
13	Motional Inductance	$L_1$	Not applicable		mH	
14	Motional Capacitance	$C_1$	Not applicable		fF	
15	Static Capacitance	$C_o$	-	7.0	pF	
16	Q Factor	Q	50 000	-	-	
17	Ratio of Unwanted: Response Resistance to Resonance Resistance or Response Impedance to Resonance Resistance	$R_p/R$ or $ Z_p /R$	Not applicable			
18	Ageing	$\frac{\Delta f}{f}$	-5.0	+5.0	$10^{-6}$	After burn-in and per year
19	Lead Finish	-	2			





**TABLE 1(a) - TYPE VARIANT DETAILED INFORMATION**

TYPE VARIANT NO. 20

No.	Characteristics	Symbol	Limits		Unit	Remarks
			Min.	Max.		
1	Resonance Frequency	$f_L$	12.288		MHz	
2	Reference Temperature	$T_o$	+60		°C	
3	Overtone Order	-	Fundamental			
4	Load Capacitance	$C_L$	20	50	pF	
5	Rated Drive Level	$P_o$	0.1		mW	
6	Frequency Adjustment Tolerance	$\frac{\Delta f}{f}$	-10	+10	$10^{-6}$	At $T_o$ °C
7	Resonance Resistance	$R_L$	-	20	$\Omega$	At $T_o$ °C
8	Frequency Variation with Temperature over $T_{op}$	$\frac{\Delta f}{f}$	-10	+10	$10^{-6}$	From frequency measured at $T_o$ °C
9	Resistance Variation with Temperature over $T_{op}$	$\frac{\Delta R}{R}$	-10 or -1.5	+10 +1.5	% $\Omega$	From resistance measured at $T_o$ °C If $R < 10\Omega$
10	Operating Temperature Range	$T_{op}$	-30	+70	°C	
11	Frequency variation with Drive Level	$\frac{\Delta f}{f}$	Not applicable		$10^{-6}$	
12	Resistance variation with Drive Level	$\frac{\Delta R}{R}$	Not applicable		%	
13	Motional Inductance	$L_1$	4.76	6.44	mH	
14	Motional Capacitance	$C_1$	Not applicable		fF	
15	Static Capacitance	$C_o$	-	7.0	pF	
16	Q Factor	Q	25 000	-	-	
17	Ratio of Unwanted: Response Resistance to Resonance Resistance or Response Impedance to Resonance Resistance	$R_p/R$ or $ Z_p /R$	2:1	-		In the frequency range: $f_L$ -200kHz to $f_L$ +200kHz
18	Ageing	$\frac{\Delta f}{f}$	-10	+10	$10^{-6}$	After burn-in and per year
19	Lead Finish	-	2		-	



**TABLE 1(a) - TYPE VARIANT DETAILED INFORMATION**

**TYPE VARIANT NO. 21**

No.	Characteristics	Symbol	Limits		Unit	Remarks
			Min.	Max.		
1	Resonance Frequency	$f_L$	15.0		MHz	
2	Reference Temperature	$T_o$	+25		°C	
3	Overtone Order	-	Fundamental			
4	Load Capacitance	$C_L$	25		pF	
5	Rated Drive Level	$P_o$	0.1		mW	
6	Frequency Adjustment Tolerance	$\frac{\Delta f}{f}$	-10	+10	$10^{-6}$	At $T_o$ °C
7	Resonance Resistance	$R_L$	-	35	$\Omega$	At $T_o$ °C
8	Frequency Variation with Temperature over $T_{op}$	$\frac{\Delta f}{f}$	-20	+20	$10^{-6}$	From frequency measured at $T_o$ °C
9	Resistance Variation with Temperature over $T_{op}$	$\frac{\Delta R}{R}$	-10 or -1.5	+10 +1.5	% $\Omega$	From resistance measured at $T_o$ °C If $R < 10\Omega$
10	Operating Temperature Range	$T_{op}$	-30	+80	°C	
11	Frequency variation with Drive Level	$\frac{\Delta f}{f}$	Not applicable		$10^{-6}$	
12	Resistance variation with Drive Level	$\frac{\Delta R}{R}$	Not applicable		%	
13	Motional Inductance	$L_1$	Not applicable		mH	
14	Motional Capacitance	$C_1$	-	8.5	fF	
15	Static Capacitance	$C_o$	-	8.5	pF	
16	Q Factor	Q	65 000	-	-	
17	Ratio of Unwanted: Response Resistance to Resonance Resistance or Response Impedance to Resonance Resistance	$R_p/R$ $ Z_{pl}/R$	2:1	-		In the frequency range: $f_L - 200\text{kHz}$ to $f_L + 200\text{kHz}$
18	Ageing	$\frac{\Delta f}{f}$	-10	+10	$10^{-6}$	After burn-in and per year
19	Lead Finish	-	2		-	



**TABLE 1(a) - TYPE VARIANT DETAILED INFORMATION**

TYPE VARIANT NO. 22

	Characteristics	Symbol	Limits		Unit	Remarks
			Min.	Max.		
1	Resonance Frequency	$f_L$	4.096		MHz	
2	Reference Temperature	$T_o$	+ 25		°C	
3	Overtone Order	-	Fundamental			
4	Load Capacitance	$C_L$	50		pF	
5	Rated Drive Level	$P_o$	0.1		mW	
6	Frequency Adjustment Tolerance	$\frac{\Delta f}{f}$	-10	+ 10	$10^{-6}$	At $T_o$ °C
7	Resonance Resistance	$R_L$	-	20	$\Omega$	At $T_o$ °C
8	Frequency Variation with Temperature over $T_{op}$	$\frac{\Delta f}{f}$	-10	+ 10	$10^{-6}$	From frequency measured at $T_o$ °C
9	Resistance Variation with Temperature over $T_{op}$	$\frac{\Delta R}{R}$	-10 or -1.5	+ 10 + 1.5	% $\Omega$	From resistance measured at $T_o$ °C If $R < 10\Omega$
10	Operating Temperature Range	$T_{op}$	-20	+ 80	°C	
11	Frequency variation with Drive Level	$\frac{\Delta f}{f}$	Not applicable		$10^{-6}$	
12	Resistance variation with Drive Level	$\frac{\Delta R}{R}$	Not applicable		%	
13	Motional Inductance	$L_1$	131.75	178.25	mH	
14	Motional Capacitance	$C_1$	Not applicable		fF	
15	Static Capacitance	$C_o$	-	7.0	pF	
16	Q Factor	Q	80 000	-	-	
17	Ratio of Unwanted: Response Resistance to Resonance Resistance or Response Impedance to Resonance Resistance	$R_p/R$ or $ Z_p /R$	3:1	-		In the frequency range: $f_L - 200\text{kHz}$ to $f_L + 200\text{kHz}$
18	Ageing	$\frac{\Delta f}{f}$	-5.0	+ 5.0	$10^{-6}$	After burn-in and per year
19	Lead Finish	-	2		-	



**TABLE 1(a) - TYPE VARIANT DETAILED INFORMATION**

TYPE VARIANT NO. 22

	Characteristics	Symbol	Limits		Unit	Remarks
			Min.	Max.		
1	Resonance Frequency	$f_L$	4.096		MHz	
2	Reference Temperature	$T_0$	+25		°C	
3	Overtone Order	-	Fundamental			
4	Load Capacitance	$C_L$	50		pF	
5	Rated Drive Level	$P_0$	0.1		mW	
6	Frequency Adjustment Tolerance	$\frac{\Delta f}{f}$	-10	+10	$10^{-6}$	At $T_0$ °C
7	Resonance Resistance	$R_L$	-	20	$\Omega$	At $T_0$ °C
8	Frequency Variation with Temperature over $T_{op}$	$\frac{\Delta f}{f}$	-10	+10	$10^{-6}$	From frequency measured at $T_0$ °C
9	Resistance Variation with Temperature over $T_{op}$	$\frac{\Delta R}{R}$	-10 or -1.5	+10 +1.5	% $\Omega$	From resistance measured at $T_0$ °C If $R < 10\Omega$
10	Operating Temperature Range	$T_{op}$	-20	+80	°C	
11	Frequency variation with Drive Level	$\frac{\Delta f}{f}$	Not applicable		$10^{-6}$	
12	Resistance variation with Drive Level	$\frac{\Delta R}{R}$	Not applicable		%	
13	Motional Inductance	$L_1$	131.75	178.25	mH	
14	Motional Capacitance	$C_1$	Not applicable		fF	
15	Static Capacitance	$C_0$	-	7.0	pF	
16	Q Factor	Q	80 000	-	-	
17	Ratio of Unwanted: Response Resistance to Resonance Resistance or Response Impedance to Resonance Resistance	$R_p/R$ or $ Z_{pl}/R$	3:1	-		In the frequency range: $f_L - 200\text{kHz}$ to $f_L + 200\text{kHz}$
18	Ageing	$\frac{\Delta f}{f}$	-5.0	+5.0	$10^{-6}$	After burn-in and per year
19	Lead Finish	-	3 or 4		-	



**TABLE 1(a) - TYPE VARIANT DETAILED INFORMATION**

TYPE VARIANT NO. 23

No.	Characteristics	Symbol	Limits		Unit	Remarks
			Min.	Max.		
1	Resonance Frequency	$f_r$	19.109567		MHz	
2	Reference Temperature	$T_o$	+ 25		°C	
3	Overtone Order	-	Fundamental			
4	Load Capacitance	$C_L$	$\infty$		pF	
5	Rated Drive Level	$P_o$	0.1		mW	
6	Frequency Adjustment Tolerance	$\frac{\Delta f}{f}$	-5.0	+ 5.0	$10^{-6}$	At $T_o$ °C
7	Resonance Resistance	$R_r$	-	15	$\Omega$	At $T_o$ °C
8	Frequency Variation with Temperature over $T_{op}$	$\frac{\Delta f}{f}$	-10	+ 10	$10^{-6}$	From frequency measured at $T_o$ °C
9	Resistance Variation with Temperature over $T_{op}$	$\frac{\Delta R}{R}$	-10 or -1.5	+ 10 + 1.5	% $\Omega$	From resistance measured at $T_o$ °C If $R < 10\Omega$
10	Operating Temperature Range	$T_{op}$	-30	+ 60	°C	
11	Frequency variation with Drive Level	$\frac{\Delta f}{f}$	Not applicable		$10^{-6}$	
12	Resistance variation with Drive Level	$\frac{\Delta R}{R}$	Not applicable		%	
13	Motional Inductance	$L_1$	2.25	2.75	mH	
14	Motional Capacitance	$C_1$	Not applicable		fF	
15	Static Capacitance	$C_o$	Not applicable		pF	
16	Q Factor	Q	Not applicable		-	
17	Ratio of Unwanted: Response Resistance to Resonance Resistance or Response Impedance to Resonance Resistance	$R_p/R$ or $ Z_p /R$	Not applicable			
18	Ageing	$\frac{\Delta f}{f}$	-1.0	+ 1.0	$10^{-6}$	After burn-in and per year
19	Lead Finish	-	2		-	



**TABLE 1(a) - TYPE VARIANT DETAILED INFORMATION**

TYPE VARIANT NO. 24

No.	Characteristics	Symbol	Limits		Unit	Remarks
			Min.	Max.		
1	Resonance Frequency	$f_r$	6.4		MHz	
2	Reference Temperature	$T_o$	+25		°C	
3	Overtone Order	-	Fundamental			
4	Load Capacitance	$C_L$	$\infty$		pF	
5	Rated Drive Level	$P_o$	0.1		mW	
6	Frequency Adjustment Tolerance	$\frac{\Delta f}{f}$	-10	+10	$10^{-6}$	At $T_o$ °C
7	Resonance Resistance	$R_r$	-	180	$\Omega$	At $T_o$ °C
8	Frequency Variation with Temperature over $T_{op}$	$\frac{\Delta f}{f}$	-40	+40	$10^{-6}$	From frequency measured at $T_o$ °C
9	Resistance Variation with Temperature over $T_{op}$	$\frac{\Delta R}{R}$	-10 or -1.5	+10 +1.5	% $\Omega$	From resistance measured at $T_o$ °C If $R < 10\Omega$
10	Operating Temperature Range	$T_{op}$	-20	+60	°C	
11	Frequency variation with Drive Level	$\frac{\Delta f}{f}$	Not applicable		$10^{-6}$	
12	Resistance variation with Drive Level	$\frac{\Delta R}{R}$	Not applicable		%	
13	Motional Inductance	$L_1$	Not applicable		mH	
14	Motional Capacitance	$C_1$	Not applicable		fF	
15	Static Capacitance	$C_o$	Not applicable		pF	
16	Q Factor	Q	Not applicable		-	
17	Ratio of Unwanted: Response Resistance to Resonance Resistance or Response Impedance to Resonance Resistance	$R_p/R$ or $I Z_p/R$	Not applicable			
18	Ageing	$\frac{\Delta f}{f}$	-3.0	+3.0	$10^{-6}$	After burn-in and per year
19	Lead Finish	-	2		-	



**TABLE 1(a) - TYPE VARIANT DETAILED INFORMATION**

TYPE VARIANT NO. 25

No.	Characteristics	Symbol	Limits		Unit	Remarks
			Min.	Max.		
1	Resonance Frequency	$f_r$	7.0		MHz	
2	Reference Temperature	$T_0$	+25		°C	
3	Overtone Order	-	Fundamental			
4	Load Capacitance	$C_L$	$\infty$		pF	
5	Rated Drive Level	$P_0$	0.1		mW	
6	Frequency Adjustment Tolerance	$\frac{\Delta f}{f}$	-10	+10	$10^{-6}$	At $T_0$ °C
7	Resonance Resistance	$R_r$	-	180	$\Omega$	At $T_0$ °C
8	Frequency Variation with Temperature over $T_{op}$	$\frac{\Delta f}{f}$	-40	+40	$10^{-6}$	From frequency measured at $T_0$ °C
9	Resistance Variation with Temperature over $T_{op}$	$\frac{\Delta R}{R}$	-10 or -1.5	+10 +1.5	% $\Omega$	From resistance measured at $T_0$ °C If $R < 10\Omega$
10	Operating Temperature Range	$T_{op}$	-20	+60	°C	
11	Frequency variation with Drive Level	$\frac{\Delta f}{f}$	Not applicable		$10^{-6}$	
12	Resistance variation with Drive Level	$\frac{\Delta R}{R}$	Not applicable		%	
13	Motional Inductance	$L_1$	Not applicable		mH	
14	Motional Capacitance	$C_1$	Not applicable		fF	
15	Static Capacitance	$C_0$	Not applicable		pF	
16	Q Factor	Q	Not applicable		-	
17	Ratio of Unwanted: Response Resistance to Resonance Resistance or Response Impedance to Resonance Resistance	$R_p/R$ or $I Z_p/R$	Not applicable			
18	Ageing	$\frac{\Delta f}{f}$	-3.0	+3.0	$10^{-6}$	After burn-in and per year
19	Lead Finish	-	2		-	



**TABLE 1(a) - TYPE VARIANT DETAILED INFORMATION**

TYPE VARIANT NO. 26

No.	Characteristics	Symbol	Limits		Unit	Remarks
			Min.	Max.		
1	Resonance Frequency	$f_L$	12.0		MHz	
2	Reference Temperature	$T_o$	+25		°C	
3	Overtone Order	-	Fundamental			
4	Load Capacitance	$C_L$	30		pF	
5	Rated Drive Level	$P_o$	0.1		mW	
6	Frequency Adjustment Tolerance	$\frac{\Delta f}{f}$	-10	+10	$10^{-6}$	At $T_o$ °C
7	Resonance Resistance	$R_L$	-	180	$\Omega$	At $T_o$ °C
8	Frequency Variation with Temperature over $T_{op}$	$\frac{\Delta f}{f}$	-40	+40	$10^{-6}$	From frequency measured at $T_o$ °C
9	Resistance Variation with Temperature over $T_{op}$	$\frac{\Delta R}{R}$	-10 or -1.5	+10 +1.5	% $\Omega$	From resistance measured at $T_o$ °C If $R < 10\Omega$
10	Operating Temperature Range	$T_{op}$	-20	+60	°C	
11	Frequency variation with Drive Level	$\frac{\Delta f}{f}$	Not applicable		$10^{-6}$	
12	Resistance variation with Drive Level	$\frac{\Delta R}{R}$	Not applicable		%	
13	Motional Inductance	$L_1$	Not applicable		mH	
14	Motional Capacitance	$C_1$	Not applicable		fF	
15	Static Capacitance	$C_o$	Not applicable		pF	
16	Q Factor	Q	Not applicable		-	
17	Ratio of Unwanted: Response Resistance to Resonance Resistance or Response Impedance to Resonance Resistance	$R_p/R$ or $ Z_{pi} /R$	Not applicable			
18	Ageing	$\frac{\Delta f}{f}$	-3.0	+3.0	$10^{-6}$	After burn-in and per year
19	Lead Finish	-	2		-	





**TABLE 1(a) - TYPE VARIANT DETAILED INFORMATION**

TYPE VARIANT NO. 27

	Characteristics	Symbol	Limits		Unit	Remarks
			Min.	Max.		
1	Resonance Frequency	$f_L$	15.0		MHz	
2	Reference Temperature	$T_0$	+ 25		°C	
3	Overtone Order	-	Fundamental			
4	Load Capacitance	$C_L$	20	50	pF	
5	Rated Drive Level	$P_0$	0.1		mW	
6	Frequency Adjustment Tolerance	$\frac{\Delta f}{f}$	-10	+ 10	$10^{-6}$	At $T_0$ °C
7	Resonance Resistance	$R_L$	-	20	$\Omega$	Over $T_{op}$ °C
8	Frequency Variation with Temperature over $T_{op}$	$\frac{\Delta f}{f}$	-40	+ 40	$10^{-6}$	From frequency measured at $T_0$ °C
9	Resistance Variation with Temperature over $T_{op}$	$\frac{\Delta R}{R}$	Not applicable		%	
10	Operating Temperature Range	$T_{op}$	-20	+ 70	°C	
11	Frequency variation with Drive Level	$\frac{\Delta f}{f}$	Not applicable		$10^{-6}$	
12	Resistance variation with Drive Level	$\frac{\Delta R}{R}$	Not applicable		%	
13	Motional Inductance	$L_1$	Not applicable		mH	
14	Motional Capacitance	$C_1$	Not applicable		fF	
15	Static Capacitance	$C_0$	Not applicable		pF	
16	Q Factor	Q	Not applicable		-	
17	Ratio of Unwanted: Response Resistance to Resonance Resistance or Response Impedance to Resonance Resistance	$R_p/R$ or $ Z_p /R$	Not applicable			
18	Ageing	$\frac{\Delta f}{f}$	-3.0	+ 3.0	$10^{-6}$	After burn-in and per year
19	Lead Finish	-	2		-	



**TABLE 1(a) - TYPE VARIANT DETAILED INFORMATION**

TYPE VARIANT NO. 28

No.	Characteristics	Symbol	Limits		Unit	Remarks
			Min.	Max.		
1	Resonance Frequency	$f_L$	6.4		MHz	
2	Reference Temperature	$T_o$	+25		°C	
3	Overtone Order	-	Fundamental			
4	Load Capacitance	$C_L$	30		pF	
5	Rated Drive Level	$P_o$	0.1		mW	
6	Frequency Adjustment Tolerance	$\frac{\Delta f}{f}$	-10	+10	$10^{-6}$	At $T_o$ °C
7	Resonance Resistance	$R_L$	-	20	$\Omega$	At $T_o$ °C
8	Frequency Variation with Temperature over $T_{op}$	$\frac{\Delta f}{f}$	-10	+10	$10^{-6}$	From frequency measured at $T_o$ °C
9	Resistance Variation with Temperature over $T_{op}$	$\frac{\Delta R}{R}$	-10 or -1.5	+10 +1.5	% $\Omega$	From resistance measured at $T_o$ °C If $R < 10\Omega$
10	Operating Temperature Range	$T_{op}$	-20	+60	°C	
11	Frequency variation with Drive Level	$\frac{\Delta f}{f}$	Not applicable		$10^{-6}$	
12	Resistance variation with Drive Level	$\frac{\Delta R}{R}$	Not applicable		%	
13	Motional Inductance	$L_1$	-	50	mH	
14	Motional Capacitance	$C_1$	Not applicable		fF	
15	Static Capacitance	$C_o$	-	7.0	pF	
16	Q Factor	Q	150 000	-	-	
17	Ratio of Unwanted: Response Resistance to Resonance Resistance or Response Impedance to Resonance Resistance	$R_p/R$ or $ Z_p /R$	3:1	-		In the frequency range: $f_L - 200\text{kHz}$ to $f_L + 200\text{kHz}$
18	Ageing	$\frac{\Delta f}{f}$	-3.0	+3.0	$10^{-6}$	After burn-in and per year
19	Lead Finish	-	2		-	



**TABLE 1(a) - TYPE VARIANT DETAILED INFORMATION**

TYPE VARIANT NO. 29

No.	Characteristics	Symbol	Limits		Unit	Remarks
			Min.	Max.		
1	Resonance Frequency	$f_L$	7.0		MHz	
2	Reference Temperature	$T_0$	+ 25		°C	
3	Overtone Order	-	Fundamental			
4	Load Capacitance	$C_L$	30		pF	
5	Rated Drive Level	$P_0$	0.1		mW	
6	Frequency Adjustment Tolerance	$\frac{\Delta f}{f}$	-10	+ 10	$10^{-6}$	At $T_0$ °C
7	Resonance Resistance	$R_L$	-	20	$\Omega$	At $T_0$ °C
8	Frequency Variation with Temperature over $T_{op}$	$\frac{\Delta f}{f}$	-10	+ 10	$10^{-6}$	From frequency measured at $T_0$ °C
9	Resistance Variation with Temperature over $T_{op}$	$\frac{\Delta R}{R}$	-10 or -1.5	+ 10 + 1.5	% $\Omega$	From resistance measured at $T_0$ °C If $R < 10\Omega$
10	Operating Temperature Range	$T_{op}$	-20	+ 60	°C	
11	Frequency variation with Drive Level	$\frac{\Delta f}{f}$	Not applicable		$10^{-6}$	
12	Resistance variation with Drive Level	$\frac{\Delta R}{R}$	Not applicable		%	
13	Motional Inductance	$L_1$	-	40	mH	
14	Motional Capacitance	$C_1$	Not applicable		fF	
15	Static Capacitance	$C_0$	-	7.0	pF	
16	Q Factor	Q	100 000	-	-	
17	Ratio of Unwanted: Response Resistance to Resonance Resistance or Response Impedance to Resonance Resistance	$R_p/R$ or $ Z_p /R$	3:1	-		In the frequency range: $f_L - 200\text{kHz}$ to $f_L + 200\text{kHz}$
18	Ageing	$\frac{\Delta f}{f}$	-3.0	+ 3.0	$10^{-6}$	After burn-in and per year
19	Lead Finish	-	2			



**TABLE 1(a) - TYPE VARIANT DETAILED INFORMATION**

TYPE VARIANT NO. 30

No.	Characteristics	Symbol	Limits		Unit	Remarks
			Min.	Max.		
1	Resonance Frequency	$f_L$	12.0		MHz	
2	Reference Temperature	$T_o$	+ 40		°C	
3	Overtone Order	-	Fundamental			
4	Load Capacitance	$C_L$	50		pF	
5	Rated Drive Level	$P_o$	0.1		mW	
6	Frequency Adjustment Tolerance	$\frac{\Delta f}{f}$	-10	+ 10	$10^{-6}$	At $T_o$ °C
7	Resonance Resistance	$R_L$	-	13	$\Omega$	At $T_o$ °C
8	Frequency Variation with Temperature over $T_{op}$	$\frac{\Delta f}{f}$	-15	+ 15	$10^{-6}$	From frequency measured at $T_o$ °C
9	Resistance Variation with Temperature over $T_{op}$	$\frac{\Delta R}{R}$	-10	+ 10	%	From resistance measured at $T_o$ °C If $R < 10\Omega$
			-1.5	+ 1.5	$\Omega$	
10	Operating Temperature Range	$T_{op}$	-20	+ 80	°C	
11	Frequency variation with Drive Level	$\frac{\Delta f}{f}$	Not applicable		$10^{-6}$	
12	Resistance variation with Drive Level	$\frac{\Delta R}{R}$	Not applicable		%	
13	Motional Inductance	$L_1$	6.97	9.43	mH	
14	Motional Capacitance	$C_1$	Not applicable		fF	
15	Static Capacitance	$C_o$	-	7.0	pF	
16	Q Factor	Q	75 000	-	-	
17	Ratio of Unwanted: Response Resistance to Resonance Resistance or Response Impedance to Resonance Resistance	$R_p/R$ or $ Z_p /R$	3:1	-		In the frequency range: $f_L - 200\text{kHz}$ to $f_L + 200\text{kHz}$
18	Ageing	$\frac{\Delta f}{f}$	-3.0	+ 3.0	$10^{-6}$	After burn-in and per year
19	Lead Finish	-	2		-	



**TABLE 1(a) - TYPE VARIANT DETAILED INFORMATION**

TYPE VARIANT NO. 31

No.	Characteristics	Symbol	Limits		Unit	Remarks
			Min.	Max.		
1	Resonance Frequency	$f_L$	4.608		MHz	
2	Reference Temperature	$T_0$	+25		°C	
3	Overtone Order	-	Fundamental			
4	Load Capacitance	$C_L$	30		pF	
5	Rated Drive Level	$P_0$	0.1		mW	
6	Frequency Adjustment Tolerance	$\frac{\Delta f}{f}$	-10	+10	$10^{-6}$	At $T_0$ °C
7	Resonance Resistance	$R_L$	-	20	$\Omega$	At $T_0$ °C
8	Frequency Variation with Temperature over $T_{op}$	$\frac{\Delta f}{f}$	-12	+12	$10^{-6}$	From frequency measured at $T_0$ °C
9	Resistance Variation with Temperature over $T_{op}$	$\frac{\Delta R}{R}$	-10	+10	%	From resistance measured at $T_0$ °C If $R < 10\Omega$
			-1.5	+1.5	$\Omega$	
10	Operating Temperature Range	$T_{op}$	-35	+70	°C	
11	Frequency variation with Drive Level	$\frac{\Delta f}{f}$	Not applicable		$10^{-6}$	
12	Resistance variation with Drive Level	$\frac{\Delta R}{R}$	-20	+20	%	From $P_{S1} = 0.05mW$ to $P_{S2} = 0.2mW$
13	Motional Inductance	$L_1$	Not applicable		mH	
14	Motional Capacitance	$C_1$	Not applicable		fF	
15	Static Capacitance	$C_0$	-	7.0	pF	
16	Q Factor	Q	800 000	-	-	
17	Ratio of Unwanted: Response Resistance to Resonance Resistance or Response Impedance to Resonance Resistance	$R_p/R$ or $ Z_p /R$	Not applicable			
18	Ageing	$\frac{\Delta f}{f}$	-10	+10	$10^{-6}$	After burn-in, after 5 years
19	Lead Finish	-	2		-	



**TABLE 1(a) - TYPE VARIANT DETAILED INFORMATION**

**TYPE VARIANT NO. 32**

	Characteristics	Symbol	Limits		Unit	Remarks
			Min.	Max.		
1	Resonance Frequency	$f_L$	10.0		MHz	
2	Reference Temperature	$T_o$	+ 40		°C	
3	Overtone Order	-	Fundamental			
4	Load Capacitance	$C_L$	50		pF	
5	Rated Drive Level	$P_o$	0.1		mW	
6	Frequency Adjustment Tolerance	$\frac{\Delta f}{f}$	-10	+ 10	$10^{-6}$	At $T_o$ °C
7	Resonance Resistance	$R_L$	-	13	$\Omega$	At $T_o$ °C
8	Frequency Variation with Temperature over $T_{op}$	$\frac{\Delta f}{f}$	-15	+ 15	$10^{-6}$	From frequency measured at $T_o$ °C
9	Resistance Variation with Temperature over $T_{op}$	$\frac{\Delta R}{R}$	-10 or -1.5	+ 10 + 1.5	% $\Omega$	From resistance measured at $T_o$ °C If $R < 10\Omega$
10	Operating Temperature Range	$T_{op}$	-20	+ 80	°C	
11	Frequency variation with Drive Level	$\frac{\Delta f}{f}$	Not applicable		$10^{-6}$	
12	Resistance variation with Drive Level	$\frac{\Delta R}{R}$	Not applicable		%	
13	Motional Inductance	$L_1$	Not applicable		mH	
14	Motional Capacitance	$C_1$	Not applicable		fF	
15	Static Capacitance	$C_o$	-	10	pF	
16	Q Factor	Q	50 000	-	-	
17	Ratio of Unwanted: Response Resistance to Resonance Resistance or Response Impedance to Resonance Resistance	$R_p/R$ or $ Z_{pl}/R$	3:1	-		In the frequency range: $f_L - 200\text{kHz}$ to $f_L + 200\text{kHz}$
18	Ageing	$\frac{\Delta f}{f}$	-3.0	+ 3.0	$10^{-6}$	After burn-in and per year
19	Lead Finish	-	2		-	



**TABLE 1(a) - TYPE VARIANT DETAILED INFORMATION**

TYPE VARIANT NO. 33

No.	Characteristics	Symbol	Limits		Unit	Remarks
			Min.	Max.		
1	Resonance Frequency	$f_L$	13.3		MHz	
2	Reference Temperature	$T_0$	+25		°C	
3	Overtone Order	-	Fundamental			
4	Load Capacitance	$C_L$	30		pF	
5	Rated Drive Level	$P_0$	0.1		mW	
6	Frequency Adjustment Tolerance	$\frac{\Delta f}{f}$	-10	+10	$10^{-6}$	At $T_0$ °C
7	Resonance Resistance	$R_L$	-	20	$\Omega$	At $T_0$ °C
8	Frequency Variation with Temperature over $T_{op}$	$\frac{\Delta f}{f}$	-10	+10	$10^{-6}$	From frequency measured at $T_0$ °C
9	Resistance Variation with Temperature over $T_{op}$	$\frac{\Delta R}{R}$	-10 or -1.5	+10 +1.5	% $\Omega$	From resistance measured at $T_0$ °C If $R < 10\Omega$
10	Operating Temperature Range	$T_{op}$	-35	+70	°C	
11	Frequency variation with Drive Level	$\frac{\Delta f}{f}$	Not applicable		$10^{-6}$	
12	Resistance variation with Drive Level	$\frac{\Delta R}{R}$	-20	+20	%	From $P_{S1} = 0.05mW$ to $P_{S2} = 0.2mW$
13	Motional Inductance	$L_1$	Not applicable		mH	
14	Motional Capacitance	$C_1$	Not applicable		fF	
15	Static Capacitance	$C_0$	-	10	pF	
16	Q Factor	Q	100 000	-	-	
17	Ratio of Unwanted: Response Resistance to Resonance Resistance or Response Impedance to Resonance Resistance	$R_p/R$ or $ Z_p /R$	Not applicable			
18	Ageing	$\frac{\Delta f}{f}$	-10	+10	$10^{-6}$	After burn-in, after 5 years
19	Lead Finish	-	2			



**TABLE 1(a) - TYPE VARIANT DETAILED INFORMATION**

TYPE VARIANT NO. 34

No.	Characteristics	Symbol	Limits		Unit	Remarks
			Min.	Max.		
1	Resonance Frequency	$f_L$	3.2768		MHz	
2	Reference Temperature	$T_0$	+27		°C	
3	Overtone Order	-	Fundamental			
4	Load Capacitance	$C_L$	27	33	pF	
5	Rated Drive Level	$P_0$	0.1		mW	
6	Frequency Adjustment Tolerance	$\frac{\Delta f}{f}$	-10	+10	$10^{-6}$	At $T_0$ °C
7	Resonance Resistance	$R_L$	-	180	$\Omega$	At $T_0$ °C
8	Frequency Variation with Temperature over $T_{op}$	$\frac{\Delta f}{f}$	-5.0	+5.0	$10^{-6}$	From frequency measured at $T_0$ °C
9	Resistance Variation with Temperature over $T_{op}$	$\frac{\Delta R}{R}$	-10	+10	%	From resistance measured at $T_0$ °C If $R < 10\Omega$
			-1.5	+1.5	$\Omega$	
10	Operating Temperature Range	$T_{op}$	-20	+50	°C	
11	Frequency variation with Drive Level	$\frac{\Delta f}{f}$	Not applicable		$10^{-6}$	
12	Resistance variation with Drive Level	$\frac{\Delta R}{R}$	Not applicable		%	
13	Motional Inductance	$L_1$	300	400	mH	
14	Motional Capacitance	$C_1$	Not applicable		fF	
15	Static Capacitance	$C_0$	-	7.0	pF	
16	Q Factor	Q	50 000	-	-	
17	Ratio of Unwanted: Response Resistance to Resonance Resistance or Response Impedance to Resonance Resistance	$R_p/R$ or $ Z_p /R$	2:1	-		In the frequency range: $f_L - 200kHz$ to $f_L + 200kHz$
18	Ageing	$\frac{\Delta f}{f}$	-3.0	+3.0	$10^{-6}$	After burn-in and per year
19	Lead Finish	-	2		-	





**TABLE 1(a) - TYPE VARIANT DETAILED INFORMATION**

TYPE VARIANT NO. 35

No.	Characteristics	Symbol	Limits		Unit	Remarks
			Min.	Max.		
1	Resonance Frequency	$f_L$	8.0		MHz	
2	Reference Temperature	$T_0$	+25	+29	°C	
3	Overtone Order	-	Fundamental			
4	Load Capacitance	$C_L$	30		pF	
5	Rated Drive Level	$P_0$	0.1		mW	
6	Frequency Adjustment Tolerance	$\frac{\Delta f}{f}$	-20	+20	$10^{-6}$	At $T_0$ °C
7	Resonance Resistance	$R_L$	-	13	$\Omega$	Over $T_{op}$ °C
8	Frequency Variation with Temperature over $T_{op}$	$\frac{\Delta f}{f}$	-15	+15	$10^{-6}$	From frequency measured at $T_0$ °C
9	Resistance Variation with Temperature over $T_{op}$	$\frac{\Delta R}{R}$	Not applicable		%	
10	Operating Temperature Range	$T_{op}$	-20	+50	°C	
11	Frequency variation with Drive Level	$\frac{\Delta f}{f}$	Not applicable		$10^{-6}$	
12	Resistance variation with Drive Level	$\frac{\Delta R}{R}$	Not applicable		%	
13	Motional Inductance	$L_1$	23	30	mH	
14	Motional Capacitance	$C_1$	Not applicable		fF	
15	Static Capacitance	$C_0$	-	7.0	pF	
16	Q Factor	Q	100 000	-	-	
17	Ratio of Unwanted: Response Resistance to Resonance Resistance or Response Impedance to Resonance Resistance	$R_p/R$ or $ Z_p /R$	Not applicable			
18	Ageing	$\frac{\Delta f}{f}$	-5.0	+5.0	$10^{-6}$	After burn-in and per year
19	Lead Finish	-	2		-	



**TABLE 1(a) - TYPE VARIANT DETAILED INFORMATION**

TYPE VARIANT NO. 36

No.	Characteristics	Symbol	Limits		Unit	Remarks
			Min.	Max.		
1	Resonance Frequency	$f_L$	6.0		MHz	
2	Reference Temperature	$T_0$	+ 25		°C	
3	Overtone Order	-	Fundamental			
4	Load Capacitance	$C_L$	16		pF	
5	Rated Drive Level	$P_0$	0.1		mW	
6	Frequency Adjustment Tolerance	$\frac{\Delta f}{f}$	-10	+ 10	$10^{-6}$	At $T_0$ °C
7	Resonance Resistance	$R_L$	-	50	$\Omega$	At $T_0$ °C
8	Frequency Variation with Temperature over $T_{op}$	$\frac{\Delta f}{f}$	-50	+ 50	$10^{-6}$	From frequency measured at $T_0$ °C
9	Resistance Variation with Temperature over $T_{op}$	$\frac{\Delta R}{R}$	-10	+ 10 or -1.5 + 1.5	% $\Omega$	From resistance measured at $T_0$ °C If $R < 10\Omega$
10	Operating Temperature Range	$T_{op}$	-20	+ 70	°C	
11	Frequency variation with Drive Level	$\frac{\Delta f}{f}$	Not applicable		$10^{-6}$	
12	Resistance variation with Drive Level	$\frac{\Delta R}{R}$	Not applicable		%	
13	Motional Inductance	$L_1$	Not applicable		mH	
14	Motional Capacitance	$C_1$	Not applicable		fF	
15	Static Capacitance	$C_0$	Not applicable		pF	
16	Q Factor	Q	Not applicable		-	
17	Ratio of Unwanted: Response Resistance to Resonance Resistance or Response Impedance to Resonance Resistance	$R_p/R$ or $ Z_p /R$	Not applicable			
18	Ageing	$\frac{\Delta f}{f}$	-3.0	+ 3.0	$10^{-6}$	After burn-in and per year
19	Lead Finish	-	2			



**TABLE 1(a) - TYPE VARIANT DETAILED INFORMATION**

TYPE VARIANT NO. 37

	Characteristics	Symbol	Limits		Unit	Remarks
			Min.	Max.		
1	Resonance Frequency	$f_L$	4.608		MHz	
2	Reference Temperature	$T_0$	+25		°C	
3	Overtone Order	-	Fundamental			
4	Load Capacitance	$C_L$	27	33	pF	
5	Rated Drive Level	$P_0$	0.1		mW	
6	Frequency Adjustment Tolerance	$\frac{\Delta f}{f}$	-10	+10	$10^{-6}$	At $T_0$ °C
7	Resonance Resistance	$R_L$	-	20	$\Omega$	At $T_0$ °C
8	Frequency Variation with Temperature over $T_{op}$	$\frac{\Delta f}{f}$	-15	+15	$10^{-6}$	From frequency measured at $T_0$ °C
9	Resistance Variation with Temperature over $T_{op}$	$\frac{\Delta R}{R}$	-10 or -1.5	+10 +1.5	% $\Omega$	From resistance measured at $T_0$ °C If $R < 10\Omega$
10	Operating Temperature Range	$T_{op}$	-35	+70	°C	
11	Frequency variation with Drive Level	$\frac{\Delta f}{f}$	Not applicable		$10^{-6}$	
12	Resistance variation with Drive Level	$\frac{\Delta R}{R}$	Not applicable		%	
13	Motional Inductance	$L_1$	Not applicable		mH	
14	Motional Capacitance	$C_1$	Not applicable		fF	
15	Static Capacitance	$C_0$	Not applicable		pF	
16	Q Factor	Q	70 000	-	-	
17	Ratio of Unwanted: Response Resistance to Resonance Resistance or Response Impedance to Resonance Resistance	$R_p/R$ or $ Z_p /R$	Not applicable			
18	Ageing	$\frac{\Delta f}{f}$	-3.0	+3.0	$10^{-6}$	After burn-in and per year
19	Lead Finish	-	2			

**TABLE 1(a) - TYPE VARIANT DETAILED INFORMATION**

**TYPE VARIANT NO. 38**

No.	Characteristics	Symbol	Limits		Unit	Remarks
			Min.	Max.		
1	Resonance Frequency	$f_L$	4.608		MHz	
2	Reference Temperature	$T_0$	+25		°C	
3	Overtone Order	-	Fundamental			
4	Load Capacitance	$C_L$	30		pF	
5	Rated Drive Level	$P_0$	0.1		mW	
6	Frequency Adjustment Tolerance	$\frac{\Delta f}{f}$	-8.0	+8.0	10 <sup>-6</sup>	At $T_0$ °C
7	Resonance Resistance	$R_L$	-	10	Ω	At $T_0$ °C
8	Frequency Variation with Temperature over $T_{op}$	$\frac{\Delta f}{f}$	-15	+15	10 <sup>-6</sup>	From frequency measured at $T_0$ °C
9	Resistance Variation with Temperature over $T_{op}$	$\frac{\Delta R}{R}$	-10 or -1.5	+10 +1.5	% Ω	From resistance measured at $T_0$ °C If $R < 10\Omega$
10	Operating Temperature Range	$T_{op}$	-40	+70	°C	
11	Frequency variation with Drive Level	$\frac{\Delta f}{f}$	Not applicable		10 <sup>-6</sup>	
12	Resistance variation with Drive Level	$\frac{\Delta R}{R}$	-20	+20	%	From $P_{S1} = 0.05mW$ to $P_{S2} = 0.2mW$
13	Motional Inductance	$L_1$	Not applicable		mH	
14	Motional Capacitance	$C_1$	Not applicable		fF	
15	Static Capacitance	$C_0$	-	7.0	pF	
16	Q Factor	Q	400 000	-	-	
17	Ratio of Unwanted: Response Resistance to Resonance Resistance or Response Impedance to Resonance Resistance	$R_p/R$ or $ Z_p /R$	Not applicable			
18	Ageing	$\frac{\Delta f}{f}$	-10	+10	10 <sup>-6</sup>	After burn-in over 5 years
19	Lead Finish	-	2		-	



**TABLE 1(a) - TYPE VARIANT DETAILED INFORMATION**

TYPE VARIANT NO. 39

No.	Characteristics	Symbol	Limits		Unit	Remarks
			Min.	Max.		
1	Resonance Frequency	$f_L$	5.0		MHz	
2	Reference Temperature	$T_0$	+25		°C	
3	Overtone Order	-	Fundamental			
4	Load Capacitance	$C_L$	27		pF	
5	Rated Drive Level	$P_0$	0.1		mW	
6	Frequency Adjustment Tolerance	$\frac{\Delta f}{f}$	-10	+10	$10^{-6}$	At $T_0$ °C
7	Resonance Resistance	$R_L$	-	200	$\Omega$	Over $T_0$ °C
8	Frequency Variation with Temperature over $T_{op}$	$\frac{\Delta f}{f}$	-50	+50	$10^{-6}$	From frequency measured at $T_0$ °C
9	Resistance Variation with Temperature over $T_{op}$	$\frac{\Delta R}{R}$	Not applicable		%	
10	Operating Temperature Range	$T_{op}$	-40	+70	°C	
11	Frequency variation with Drive Level	$\frac{\Delta f}{f}$	Not applicable		$10^{-6}$	
12	Resistance variation with Drive Level	$\frac{\Delta R}{R}$	Not applicable		%	From $P_{S1} = 0.05mW$ to $P_{S2} = 0.2mW$
13	Motional Inductance	$L_1$	Not applicable		mH	
14	Motional Capacitance	$C_1$	Not applicable		fF	
15	Static Capacitance	$C_0$	Not applicable		pF	
16	Q Factor	Q	Not applicable		-	
17	Ratio of Unwanted: Response Resistance to Resonance Resistance or Response Impedance to Resonance Resistance	$R_p/R$ or $ Z_p /R$	Not applicable			
18	Ageing	$\frac{\Delta f}{f}$	-50	+50	$10^{-6}$	Over 6 years
19	Lead Finish	-	2		-	



**TABLE 1(a) - TYPE VARIANT DETAILED INFORMATION**

TYPE VARIANT NO. 40

No.	Characteristics	Symbol	Limits		Unit	Remarks
			Min.	Max.		
1	Resonance Frequency	$f_L$	3.2768		MHz	
2	Reference Temperature	$T_0$	+ 25		°C	
3	Overtone Order	-	Fundamental			
4	Load Capacitance	$C_L$	20	50	pF	
5	Rated Drive Level	$P_0$	0.1		mW	
6	Frequency Adjustment Tolerance	$\frac{\Delta f}{f}$	-10	+ 10	$10^{-6}$	At $T_0$ °C
7	Resonance Resistance	$R_L$	-	12	$\Omega$	Over $T_{op}$ °C
8	Frequency Variation with Temperature over $T_{op}$	$\frac{\Delta f}{f}$	-5.0	+ 5.0	$10^{-6}$	From frequency measured at $T_0$ °C
9	Resistance Variation with Temperature over $T_{op}$	$\frac{\Delta R}{R}$	Not applicable		%	
10	Operating Temperature Range	$T_{op}$	-20	+ 70	°C	
11	Frequency variation with Drive Level	$\frac{\Delta f}{f}$	Not applicable		$10^{-6}$	
12	Resistance variation with Drive Level	$\frac{\Delta R}{R}$	Not applicable		%	
13	Motional Inductance	$L_1$	200	-	mH	
14	Motional Capacitance	$C_1$	Not applicable		fF	
15	Static Capacitance	$C_0$	-	2.7	pF	
16	Q Factor	Q	400 000	-	-	
17	Ratio of Unwanted: Response Resistance to Resonance Resistance or Response Impedance to Resonance Resistance	$R_p/R$ or $ Z_p /R$	2:1	-		In the frequency range: $f_L - 300\text{kHz}$ to $f_L + 300\text{kHz}$
18	Ageing	$\frac{\Delta f}{f}$	-5.0	+ 5.0	$10^{-6}$	After burn-in, per year
19	Lead Finish	-	2			



**TABLE 1(a) - TYPE VARIANT DETAILED INFORMATION**

TYPE VARIANT NO. 41

No.	Characteristics	Symbol	Limits		Unit	Remarks
			Min.	Max.		
1	Resonance Frequency	$f_L$	4.096		MHz	
2	Reference Temperature	$T_0$	+25		°C	
3	Overtone Order	-	Fundamental			
4	Load Capacitance	$C_L$	50		pF	
5	Rated Drive Level	$P_0$	0.1		mW	
6	Frequency Adjustment Tolerance	$\frac{\Delta f}{f}$	-10	+10	$10^{-6}$	At $T_0$ °C
7	Resonance Resistance	$R_L$	-	20	$\Omega$	Over $T_{op}$ °C
8	Frequency Variation with Temperature over $T_{op}$	$\frac{\Delta f}{f}$	-10	+10	$10^{-6}$	From frequency measured at $T_0$ °C
9	Resistance Variation with Temperature over $T_{op}$	$\frac{\Delta R}{R}$	Not applicable		%	
10	Operating Temperature Range	$T_{op}$	-10	+80	°C	
11	Frequency variation with Drive Level	$\frac{\Delta f}{f}$	Not applicable		$10^{-6}$	
12	Resistance variation with Drive Level	$\frac{\Delta R}{R}$	Not applicable		%	
13	Motional Inductance	$L_1$	78	-	mH	
14	Motional Capacitance	$C_1$	Not applicable		fF	
15	Static Capacitance	$C_0$	-	5.0	pF	
16	Q Factor	Q	100 000	-	-	
17	Ratio of Unwanted: Response Resistance to Resonance Resistance or Response Impedance to Resonance Resistance	$R_p/R$ or $ Z_p /R$	3:1	-		In the frequency range: $f_L - 400\text{kHz}$ to $f_L + 400\text{kHz}$
18	Ageing	$\frac{\Delta f}{f}$	-3.0	+3.0	$10^{-6}$	After burn-in, per year
19	Lead Finish	-	2		-	



**TABLE 1(a) - TYPE VARIANT DETAILED INFORMATION**

TYPE VARIANT NO. 42

	Characteristics	Symbol	Limits		Unit	Remarks
			Min.	Max.		
1	Resonance Frequency	$f_L$	5.0		MHz	
2	Reference Temperature	$T_o$	+ 40		°C	
3	Overtone Order	-	Fundamental			
4	Load Capacitance	$C_L$	30		pF	
5	Rated Drive Level	$P_o$	0.1		mW	
6	Frequency Adjustment Tolerance	$\frac{\Delta f}{f}$	-5.0	+ 5.0	$10^{-6}$	At $T_o$ °C
7	Resonance Resistance	$R_L$	-	20	$\Omega$	Over $T_{op}$ °C
8	Frequency Variation with Temperature over $T_{op}$	$\frac{\Delta f}{f}$	-8.0	+ 8.0	$10^{-6}$	From frequency measured at $T_o$ °C
9	Resistance Variation with Temperature over $T_{op}$	$\frac{\Delta R}{R}$	Not applicable		%	
10	Operating Temperature Range	$T_{op}$	-20	+ 80	°C	
11	Frequency variation with Drive Level	$\frac{\Delta f}{f}$	Not applicable		$10^{-6}$	
12	Resistance variation with Drive Level	$\frac{\Delta R}{R}$	Not applicable		%	
13	Motional Inductance	$L_1$	64	-	mH	
14	Motional Capacitance	$C_1$	Not applicable		fF	
15	Static Capacitance	$C_o$	-	4.0	pF	
16	Q Factor	Q	100 000	-	-	
17	Ratio of Unwanted: Response Resistance to Resonance Resistance or Response Impedance to Resonance Resistance	$R_p/R$ $ Z_p /R$	2:1	-		In the frequency range: $f_L$ -500kHz to $f_L$ + 500kHz
18	Ageing	$\frac{\Delta f}{f}$	-3.0	+ 3.0	$10^{-6}$	After burn-in, per year
19	Lead Finish	-	2		-	





**TABLE 1(a) - TYPE VARIANT DETAILED INFORMATION**

TYPE VARIANT NO. 43

No.	Characteristics	Symbol	Limits		Unit	Remarks
			Min.	Max.		
1	Resonance Frequency	$f_L$	5.0		MHz	
2	Reference Temperature	$T_o$	+ 40		°C	
3	Overtone Order	-	Fundamental			
4	Load Capacitance	$C_L$	30		pF	
5	Rated Drive Level	$P_o$	0.1		mW	
6	Frequency Adjustment Tolerance	$\frac{\Delta f}{f}$	-10	+ 10	$10^{-6}$	At $T_o$ °C
7	Resonance Resistance	$R_L$	-	20	$\Omega$	Over $T_{op}$ °C
8	Frequency Variation with Temperature over $T_{op}$	$\frac{\Delta f}{f}$	-10	+ 10	$10^{-6}$	From frequency measured at $T_o$ °C
9	Resistance Variation with Temperature over $T_{op}$	$\frac{\Delta R}{R}$	Not applicable		%	
10	Operating Temperature Range	$T_{op}$	-10	+ 70	°C	
11	Frequency variation with Drive Level	$\frac{\Delta f}{f}$	Not applicable		$10^{-6}$	
12	Resistance variation with Drive Level	$\frac{\Delta R}{R}$	Not applicable		%	
13	Motional Inductance	$L_1$	64	-	mH	
14	Motional Capacitance	$C_1$	Not applicable		fF	
15	Static Capacitance	$C_o$	-	4.0	pF	
16	Q Factor	Q	100 000	-	-	
17	Ratio of Unwanted: Response Resistance to Resonance Resistance or Response Impedance to Resonance Resistance	$R_p/R$ or $ Z_p /R$	2:1	-		In the frequency range: $f_L$ -300kHz to $f_L$ + 300kHz
18	Ageing	$\frac{\Delta f}{f}$	-10	+ 10	$10^{-6}$	After burn-in, per year
19	Lead Finish	-	2		-	



**TABLE 1(a) - TYPE VARIANT DETAILED INFORMATION**

TYPE VARIANT NO. 44

No.	Characteristics	Symbol	Limits		Unit	Remarks
			Min.	Max.		
1	Resonance Frequency	$f_L$	10.0		MHz	
2	Reference Temperature	$T_o$	+ 25		°C	
3	Overtone Order	-	Fundamental			
4	Load Capacitance	$C_L$	50		pF	
5	Rated Drive Level	$P_o$	0.1		mW	
6	Frequency Adjustment Tolerance	$\frac{\Delta f}{f}$	-10	+ 10	$10^{-6}$	At $T_o$ °C
7	Resonance Resistance	$R_L$	-	20	$\Omega$	Over $T_{op}$ °C
8	Frequency Variation with Temperature over $T_{op}$	$\frac{\Delta f}{f}$	-10	+ 10	$10^{-6}$	From frequency measured at $T_o$ °C
9	Resistance Variation with Temperature over $T_{op}$	$\frac{\Delta R}{R}$	Not applicable		%	
10	Operating Temperature Range	$T_{op}$	-10	+ 80	°C	
11	Frequency variation with Drive Level	$\frac{\Delta f}{f}$	Not applicable		$10^{-6}$	
12	Resistance variation with Drive Level	$\frac{\Delta R}{R}$	Not applicable		%	
13	Motional Inductance	$L_1$	32	-	mH	
14	Motional Capacitance	$C_1$	Not applicable		fF	
15	Static Capacitance	$C_o$	-	5.0	pF	
16	Q Factor	Q	100 000	-	-	
17	Ratio of Unwanted: Response Resistance to Resonance Resistance or Response Impedance to Resonance Resistance	$R_p/R$ $ Z_p /R$	3:1	-		In the frequency range: $f_L - 500\text{kHz}$ to $f_L + 500\text{kHz}$
18	Ageing	$\frac{\Delta f}{f}$	-3.0	+ 3.0	$10^{-6}$	After burn-in, per year
19	Lead Finish	-	2		-	



**TABLE 1(a) - TYPE VARIANT DETAILED INFORMATION**

TYPE VARIANT NO. 45

No.	Characteristics	Symbol	Limits		Unit	Remarks
			Min.	Max.		
1	Resonance Frequency	$f_r$	12.0		MHz	
2	Reference Temperature	$T_0$	+23	+27	°C	
3	Overtone Order	-	Fundamental			
4	Load Capacitance	$C_L$	$\infty$		pF	
5	Rated Drive Level	$P_0$	0.1		mW	
6	Frequency Adjustment Tolerance	$\frac{\Delta f}{f}$	-10	+10	$10^{-6}$	At $T_0$ °C
7	Resonance Resistance	$R_r$	-	20	$\Omega$	At $T_0$ °C
8	Frequency Variation with Temperature over $T_{op}$	$\frac{\Delta f}{f}$	-10	+10	$10^{-6}$	From frequency measured at $T_0$ °C
9	Resistance Variation with Temperature over $T_{op}$	$\frac{\Delta R}{R}$	-10 or -1.5	+10 +1.5	% $\Omega$	From resistance measured at $T_0$ °C If $R < 10\Omega$
10	Operating Temperature Range	$T_{op}$	-20	+70	°C	
11	Frequency variation with Drive Level	$\frac{\Delta f}{f}$	Not applicable		$10^{-6}$	
12	Resistance variation with Drive Level	$\frac{\Delta R}{R}$	Not applicable		%	
13	Motional Inductance	$L_1$	24	-	mH	
14	Motional Capacitance	$C_1$	Not applicable		fF	
15	Static Capacitance	$C_0$	Not applicable		pF	
16	Q Factor	Q	90 000	-	-	
17	Ratio of Unwanted: Response Resistance to Resonance Resistance or Response Impedance to Resonance Resistance	$R_p/R$ or $ Z_p /R$	2:1	-		In the frequency range: $f_r - 300\text{kHz}$ to $f_r + 300\text{kHz}$
18	Ageing	$\frac{\Delta f}{f}$	-3.0	+3.0	$10^{-6}$	After burn-in, per year
19	Lead Finish	-	2			



**TABLE 1(a) - TYPE VARIANT DETAILED INFORMATION**

TYPE VARIANT NO. 46

No.	Characteristics	Symbol	Limits		Unit	Remarks
			Min.	Max.		
1	Resonance Frequency	$f_r$	12.0		MHz	
2	Reference Temperature	$T_0$	+23	+27	°C	
3	Overtone Order	-	Fundamental			
4	Load Capacitance	$C_L$	$\infty$		pF	
5	Rated Drive Level	$P_0$	0.1		mW	
6	Frequency Adjustment Tolerance	$\frac{\Delta f}{f}$	-10	+10	$10^{-6}$	At $T_0$ °C
7	Resonance Resistance	$R_r$	-	20	$\Omega$	At $T_0$ °C
8	Frequency Variation with Temperature over $T_{op}$	$\frac{\Delta f}{f}$	-30	+30	$10^{-6}$	From frequency measured at $T_0$ °C
9	Resistance Variation with Temperature over $T_{op}$	$\frac{\Delta R}{R}$	-10 or -1.5	+10 +1.5	% $\Omega$	From resistance measured at $T_0$ °C If $R < 10\Omega$
10	Operating Temperature Range	$T_{op}$	-40	+85	°C	
11	Frequency variation with Drive Level	$\frac{\Delta f}{f}$	Not applicable		$10^{-6}$	
12	Resistance variation with Drive Level	$\frac{\Delta R}{R}$	Not applicable		%	
13	Motional Inductance	$L_1$	8.0	-	mH	
14	Motional Capacitance	$C_1$	Not applicable		fF	
15	Static Capacitance	$C_0$	-	5.0	pF	
16	Q Factor	Q	80 000	-	-	
17	Ratio of Unwanted: Response Resistance to Resonance Resistance or Response Impedance to Resonance Resistance	$R_p/R$ or $ Z_p /R$	2:1	-		In the frequency range: $f_r - 300\text{kHz}$ to $f_r + 300\text{kHz}$
18	Ageing	$\frac{\Delta f}{f}$	-3.0	+3.0	$10^{-6}$	After burn-in, per year
19	Lead Finish	-	2		-	



**TABLE 1(a) - TYPE VARIANT DETAILED INFORMATION**

TYPE VARIANT NO. 47

	Characteristics	Symbol	Limits		Unit	Remarks
			Min.	Max.		
1	Resonance Frequency	$f_L$	13.332		MHz	
2	Reference Temperature	$T_o$	+ 40		°C	
3	Overtone Order	-	Fundamental			
4	Load Capacitance	$C_L$	50		pF	
5	Rated Drive Level	$P_o$	0.1		mW	
6	Frequency Adjustment Tolerance	$\frac{\Delta f}{f}$	-5.0	+ 5.0	10 <sup>-6</sup>	At $T_o$ °C
7	Resonance Resistance	$R_L$	-	13	Ω	Over $T_{op}$ °C
8	Frequency Variation with Temperature over $T_{op}$	$\frac{\Delta f}{f}$	-8.0	+ 8.0	10 <sup>-6</sup>	From frequency measured at $T_o$ °C
9	Resistance Variation with Temperature over $T_{op}$	$\frac{\Delta R}{R}$	Not applicable		%	
10	Operating Temperature Range	$T_{op}$	-20	+ 80	°C	
11	Frequency variation with Drive Level	$\frac{\Delta f}{f}$	Not applicable		10 <sup>-6</sup>	
12	Resistance variation with Drive Level	$\frac{\Delta R}{R}$	Not applicable		%	
13	Motional Inductance	$L_1$	8.0	-	mH	
14	Motional Capacitance	$C_1$	Not applicable		fF	
15	Static Capacitance	$C_o$	-	5.0	pF	
16	Q Factor	Q	50 000	-	-	
17	Ratio of Unwanted: Response Resistance to Resonance Resistance or Response Impedance to Resonance Resistance	$R_p/R$  $ Z_p /R$	3:1	-		In the frequency range: $f_L - 1.0\text{MHz}$ to $f_L + 1.0\text{MHz}$
18	Ageing	$\frac{\Delta f}{f}$	-3.0	+ 3.0	10 <sup>-6</sup>	After burn-in, per year
19	Lead Finish	-	2		-	



**TABLE 1(a) - TYPE VARIANT DETAILED INFORMATION**

TYPE VARIANT NO. 48

No.	Characteristics	Symbol	Limits		Unit	Remarks
			Min.	Max.		
1	Resonance Frequency	$f_L$	5.24288		MHz	
2	Reference Temperature	$T_0$	+ 60		°C	
3	Overtone Order	-	Fundamental			
4	Load Capacitance	$C_L$	22		pF	
5	Rated Drive Level	$P_0$	0.1		mW	
6	Frequency Adjustment Tolerance	$\frac{\Delta f}{f}$	-10	+ 10	$10^{-6}$	At $T_0$ °C
7	Resonance Resistance	$R_L$	-	13	$\Omega$	Over $T_{op}$ °C
8	Frequency Variation with Temperature over $T_{op}$	$\frac{\Delta f}{f}$	-15	+ 15	$10^{-6}$	From frequency measured at $T_0$ °C
9	Resistance Variation with Temperature over $T_{op}$	$\frac{\Delta R}{R}$	Not applicable		%	
10	Operating Temperature Range	$T_{op}$	-40	+ 85	°C	
11	Frequency variation with Drive Level	$\frac{\Delta f}{f}$	Not applicable		$10^{-6}$	
12	Resistance variation with Drive Level	$\frac{\Delta R}{R}$	Not applicable		%	
13	Motional Inductance	$L_1$	20	-	mH	
14	Motional Capacitance	$C_1$	Not applicable		fF	
15	Static Capacitance	$C_0$	-	5.0	pF	
16	Q Factor	Q	50 000	-	-	
17	Ratio of Unwanted: Response Resistance to Resonance Resistance or Response Impedance to Resonance Resistance	$R_p/R$ or $ Z_p /R$	3:1	-		In the frequency range: $f_L - 525\text{kHz}$ to $f_L + 525\text{kHz}$
18	Ageing	$\frac{\Delta f}{f}$	-3.0	+ 3.0	$10^{-6}$	After burn-in, per year
19	Lead Finish	-	2		-	



**TABLE 1(a) - TYPE VARIANT DETAILED INFORMATION**

TYPE VARIANT NO. 49

No.	Characteristics	Symbol	Limits		Unit	Remarks
			Min.	Max.		
1	Resonance Frequency	$f_L$	3.2		MHz	
2	Reference Temperature	$T_o$	+25	+29	°C	
3	Overtone Order	-	Fundamental			
4	Load Capacitance	$C_L$	30		pF	
5	Rated Drive Level	$P_o$	0.1		mW	
6	Frequency Adjustment Tolerance	$\frac{\Delta f}{f}$	-10	+10	$10^{-6}$	At $T_o$ °C
7	Resonance Resistance	$R_L$	-	50	$\Omega$	Over $T_{op}$ °C
8	Frequency Variation with Temperature over $T_{op}$	$\frac{\Delta f}{f}$	-10	+10	$10^{-6}$	From frequency measured at $T_o$ °C
9	Resistance Variation with Temperature over $T_{op}$	$\frac{\Delta R}{R}$	Not applicable		%	
10	Operating Temperature Range	$T_{op}$	-20	+70	°C	
11	Frequency variation with Drive Level	$\frac{\Delta f}{f}$	Not applicable		$10^{-6}$	
12	Resistance variation with Drive Level	$\frac{\Delta R}{R}$	Not applicable		%	
13	Motional Inductance	$L_1$	Not applicable		mH	
14	Motional Capacitance	$C_1$	Not applicable		fF	
15	Static Capacitance	$C_o$	-	7.0	pF	
16	Q Factor	Q	Not applicable		-	
17	Ratio of Unwanted: Response Resistance to Resonance Resistance or Response Impedance to Resonance Resistance	$R_p/R$ $ Z_p /R$	2:1	-		In the frequency range: $f_L - 200\text{kHz}$ to $f_L + 200\text{kHz}$
18	Ageing	$\frac{\Delta f}{f}$	-2.0	+2.0	$10^{-6}$	After burn-in and per year
19	Lead Finish	-	2		-	



**TABLE 1(a) - TYPE VARIANT DETAILED INFORMATION**

TYPE VARIANT NO. 50

No.	Characteristics	Symbol	Limits		Unit	Remarks
			Min.	Max.		
1	Resonance Frequency	$f_L$	4.0		MHz	
2	Reference Temperature	$T_o$	+23	+27	°C	
3	Overtone Order	-	Fundamental			
4	Load Capacitance	$C_L$	30		pF	
5	Rated Drive Level	$P_o$	0.1		mW	
6	Frequency Adjustment Tolerance	$\frac{\Delta f}{f}$	-10	+10	10 <sup>-6</sup>	At $T_o$ °C
7	Resonance Resistance	$R_L$	-	25	Ω	Over $T_{op}$ °C
8	Frequency Variation with Temperature over $T_{op}$	$\frac{\Delta f}{f}$	-12	+12	10 <sup>-6</sup>	From frequency measured at $T_o$ °C
9	Resistance Variation with Temperature over $T_{op}$	$\frac{\Delta R}{R}$	Not applicable		%	
10	Operating Temperature Range	$T_{op}$	-40	+80	°C	
11	Frequency variation with Drive Level	$\frac{\Delta f}{f}$	Not applicable		10 <sup>-6</sup>	
12	Resistance variation with Drive Level	$\frac{\Delta R}{R}$	Not applicable		%	
13	Motional Inductance	$L_1$	230	-	mH	
14	Motional Capacitance	$C_1$	Not applicable		fF	
15	Static Capacitance	$C_o$	-	5.0	pF	
16	Q Factor	Q	125 000	-	-	
17	Ratio of Unwanted: Response Resistance to Resonance Resistance or Response Impedance to Resonance Resistance	$R_p/R$ or $ Z_p /R$	2:1	-		In the frequency range: $f_L - 500\text{kHz}$ to $f_L + 500\text{kHz}$
18	Ageing	$\frac{\Delta f}{f}$	-3.0	+3.0	10 <sup>-6</sup>	After burn-in, per year
19	Lead Finish	-	2		-	





**TABLE 1(a) - TYPE VARIANT DETAILED INFORMATION**

**TYPE VARIANT NO. 51**

No.	Characteristics	Symbol	Limits		Unit	Remarks
			Min.	Max.		
1	Resonance Frequency	$f_L$	4.194304		MHz	At cut
2	Reference Temperature	$T_0$	+ 30		°C	
3	Overtone Order	-	Fundamental			
4	Load Capacitance	$C_L$	30		pF	
5	Rated Drive Level	$P_0$	0.1		mW	
6	Frequency Adjustment Tolerance	$\frac{\Delta f}{f}$	-10	+ 10	$10^{-6}$	At $T_0$ °C
7	Resonance Resistance	$R_L$	-	10	$\Omega$	At $T_0$ °C
8	Frequency Variation with Temperature over $T_{op}$	$\frac{\Delta f}{f}$	-10	+ 10	$10^{-6}$	From frequency measured at $T_0$ °C
9	Resistance Variation with Temperature over $T_{op}$	$\frac{\Delta R}{R}$	-10 or -1.5	+ 10 + 1.5	% $\Omega$	From resistance measured at $T_0$ °C If $R < 10\Omega$
10	Operating Temperature Range	$T_{op}$	-10	+ 80	°C	
11	Frequency variation with Drive Level	$\frac{\Delta f}{f}$	Not applicable		$10^{-6}$	
12	Resistance variation with Drive Level	$\frac{\Delta R}{R}$	Not applicable		%	
13	Motional Inductance	$L_1$	Not applicable		mH	
14	Motional Capacitance	$C_1$	Not applicable		fF	
15	Static Capacitance	$C_0$	-	4.0	pF	
16	Q Factor	Q	200 000	-	-	
17	Ratio of Unwanted: Response Resistance to Resonance Resistance or Response Impedance to Resonance Resistance	$R_p/R$ or $ Z_p /R$	2:1	-		In the frequency range: $f_L - 200\text{kHz}$ to $f_L + 200\text{kHz}$
18	Ageing	$\frac{\Delta f}{f}$	-10	+ 10	$10^{-6}$	Over 5 years of storage and 3000 hours operating
19	Lead Finish	-	2			



**TABLE 1(a) - TYPE VARIANT DETAILED INFORMATION**

TYPE VARIANT NO. 52

	Characteristics	Symbol	Limits		Unit	Remarks
			Min.	Max.		
1	Resonance Frequency	$f_L$	12.25		MHz	
2	Reference Temperature	$T_o$	+25		°C	
3	Overtone Order	-	Fundamental			
4	Load Capacitance	$C_L$	32		pF	
5	Rated Drive Level	$P_o$	0.1		mW	
6	Frequency Adjustment Tolerance	$\frac{\Delta f}{f}$	-10	+10	$10^{-6}$	At $T_o$ °C
7	Resonance Resistance	$R_L$	-	20	$\Omega$	At $T_o$ °C
8	Frequency Variation with Temperature over $T_{op}$	$\frac{\Delta f}{f}$	-10	+10	$10^{-6}$	From frequency measured at $T_o$ °C
9	Resistance Variation with Temperature over $T_{op}$	$\frac{\Delta R}{R}$	-10 or -1.5	+10 +1.5	% $\Omega$	From resistance measured at $T_o$ °C If $R < 10\Omega$
10	Operating Temperature Range	$T_{op}$	-20	+70	°C	
11	Frequency variation with Drive Level	$\frac{\Delta f}{f}$	Not applicable		$10^{-6}$	
12	Resistance variation with Drive Level	$\frac{\Delta R}{R}$	Not applicable		%	
13	Motional Inductance	$L_1$	12.6	15.4	mH	
14	Motional Capacitance	$C_1$	Not applicable		fF	
15	Static Capacitance	$C_o$	-	3.0	pF	
16	Q Factor	Q	100 000	-	-	
17	Ratio of Unwanted: Response Resistance to Resonance Resistance  or  Response Impedance to Resonance Resistance	$R_p/R$          $ Z_{pl}/R$	25:1 4:1	- -		In the frequency range:  $f_L \pm 30kHz$ $f_L - 50$ to $f_L - 500kHz$ and $f_L + 50$ to $f_L + 500kHz$
18	Ageing	$\frac{\Delta f}{f}$	-10	+10	$10^{-6}$	After burn-in, over 5 years
19	Lead Finish	-	2			



**TABLE 1(a) - TYPE VARIANT DETAILED INFORMATION**

TYPE VARIANT NO. 53

No.	Characteristics	Symbol	Limits		Unit	Remarks
			Min.	Max.		
1	Resonance Frequency	$f_L$	6.0		MHz	
2	Reference Temperature	$T_o$	+25		°C	
3	Overtone Order	-	Fundamental			
4	Load Capacitance	$C_L$	30		pF	
5	Rated Drive Level	$P_o$	0.1		mW	
6	Frequency Adjustment Tolerance	$\frac{\Delta f}{f}$	-5.0	+5.0	$10^{-6}$	At $T_o$ °C
7	Resonance Resistance	$R_L$	-	50	$\Omega$	At $T_o$ °C
8	Frequency Variation with Temperature over $T_{op}$	$\frac{\Delta f}{f}$	-10	+10	$10^{-6}$	From frequency measured at $T_o$ °C
9	Resistance Variation with Temperature over $T_{op}$	$\frac{\Delta R}{R}$	-10 or -1.5	+10 +1.5	% $\Omega$	From resistance measured at $T_o$ °C If $R < 10\Omega$
10	Operating Temperature Range	$T_{op}$	-40	+70	°C	
11	Frequency variation with Drive Level	$\frac{\Delta f}{f}$	Not applicable		$10^{-6}$	
12	Resistance variation with Drive Level	$\frac{\Delta R}{R}$	Not applicable		%	
13	Motional Inductance	$L_1$	Not applicable		mH	
14	Motional Capacitance	$C_1$	Not applicable		fF	
15	Static Capacitance	$C_o$	Not applicable		pF	
16	Q Factor	Q	600 000	-	-	
17	Ratio of Unwanted: Response Resistance to Resonance Resistance or Response Impedance to Resonance Resistance	$R_p/R$ or $ Z_p /R$	Not applicable			
18	Ageing	$\frac{\Delta f}{f}$	-10	+10	$10^{-6}$	After burn-in, over 5 years
19	Lead Finish	-	2		-	



**TABLE 1(a) - TYPE VARIANT DETAILED INFORMATION**

TYPE VARIANT NO. 54

No.	Characteristics	Symbol	Limits		Unit	Remarks
			Min.	Max.		
1	Resonance Frequency	$f_L$	9.66 to 10.65		MHz	
2	Reference Temperature	$T_o$	+25		°C	
3	Overtone Order	-	Fundamental			
4	Load Capacitance	$C_L$	50		pF	
5	Rated Drive Level	$P_o$	0.1		mW	
6	Frequency Adjustment Tolerance	$\frac{\Delta f}{f}$	-10	+10	10 <sup>-6</sup>	At $T_o$ °C
7	Resonance Resistance	$R_L$	-	15	Ω	Over $T_{op}$ °C
8	Frequency Variation with Temperature over $T_{op}$	$\frac{\Delta f}{f}$	-20	+20	10 <sup>-6</sup>	From frequency measured at $T_o$ °C
9	Resistance Variation with Temperature over $T_{op}$	$\frac{\Delta R}{R}$	Not applicable		%	
10	Operating Temperature Range	$T_{op}$	-20	+70	°C	
11	Frequency variation with Drive Level	$\frac{\Delta f}{f}$	Not applicable		10 <sup>-6</sup>	
12	Resistance variation with Drive Level	$\frac{\Delta R}{R}$	Not applicable		%	
13	Motional Inductance	$L_1$	Not applicable		mH	
14	Motional Capacitance	$C_1$	Not applicable		fF	
15	Static Capacitance	$C_o$	Not applicable		pF	
16	Q Factor	Q	Not applicable		-	
17	Ratio of Unwanted: Response Resistance to Resonance Resistance or Response Impedance to Resonance Resistance	$R_p/R$ $ Z_{pl}/R$	4:1	-		In the frequency range: $f_L$ -500kHz to $f_L$ +500kHz
18	Ageing	$\frac{\Delta f}{f}$	-2.0	+2.0	10 <sup>-6</sup>	After burn-in and per year
19	Lead Finish	-	2		-	



**TABLE 1(a) - TYPE VARIANT DETAILED INFORMATION**

TYPE VARIANT NO. 55

No.	Characteristics	Symbol	Limits		Unit	Remarks
			Min.	Max.		
1	Resonance Frequency	$f_L$	4.096		MHz	
2	Reference Temperature	$T_o$	+25		°C	
3	Overtone Order	-	Fundamental			
4	Load Capacitance	$C_L$	50		pF	
5	Rated Drive Level	$P_o$	0.1		mW	
6	Frequency Adjustment Tolerance	$\frac{\Delta f}{f}$	-10	+10	$10^{-6}$	At $T_o$ °C
7	Resonance Resistance	$R_L$	-	20	$\Omega$	Over $T_{op}$ °C
8	Frequency Variation with Temperature over $T_{op}$	$\frac{\Delta f}{f}$	-10	+10	$10^{-6}$	From frequency measured at $T_o$ °C
9	Resistance Variation with Temperature over $T_{op}$	$\frac{\Delta R}{R}$	Not applicable		%	
10	Operating Temperature Range	$T_{op}$	-10	+80	°C	
11	Frequency variation with Drive Level	$\frac{\Delta f}{f}$	Not applicable		$10^{-6}$	
12	Resistance variation with Drive Level	$\frac{\Delta R}{R}$	Not applicable		%	
13	Motional Inductance	$L_1$	Not applicable		mH	
14	Motional Capacitance	$C_1$	Not applicable		fF	
15	Static Capacitance	$C_o$	-	5.0	pF	
16	Q Factor	Q	100 000	-	-	
17	Ratio of Unwanted: Response Resistance to Resonance Resistance or Response Impedance to Resonance Resistance	$R_p/R$ $ Z_{pl}/R$	3:1	-		In the frequency range: $f_L - 200\text{kHz}$ to $f_L + 200\text{kHz}$
18	Ageing	$\frac{\Delta f}{f}$	Not applicable		$10^{-6}$	
19	Lead Finish	-	2		-	



**TABLE 1(a) - TYPE VARIANT DETAILED INFORMATION**

TYPE VARIANT NO. 56

No.	Characteristics	Symbol	Limits		Unit	Remarks
			Min.	Max.		
1	Resonance Frequency	$f_L$	4.194304		MHz	
2	Reference Temperature	$T_o$	+ 60		°C	
3	Overtone Order	-	Fundamental			
4	Load Capacitance	$C_L$	22		pF	
5	Rated Drive Level	$P_o$	0.1		mW	
6	Frequency Adjustment Tolerance	$\frac{\Delta f}{f}$	-10	+ 10	$10^{-6}$	At $T_o$ °C
7	Resonance Resistance	$R_L$	-	13	$\Omega$	Over $T_{op}$ °C
8	Frequency Variation with Temperature over $T_{op}$	$\frac{\Delta f}{f}$	-15	+ 15	$10^{-6}$	From frequency measured at $T_o$ °C
9	Resistance Variation with Temperature over $T_{op}$	$\frac{\Delta R}{R}$	Not applicable		%	
10	Operating Temperature Range	$T_{op}$	-20	+ 70	°C	
11	Frequency variation with Drive Level	$\frac{\Delta f}{f}$	Not applicable		$10^{-6}$	
12	Resistance variation with Drive Level	$\frac{\Delta R}{R}$	Not applicable		%	
13	Motional Inductance	$L_1$	Not applicable		mH	
14	Motional Capacitance	$C_1$	Not applicable		fF	
15	Static Capacitance	$C_o$	Not applicable		pF	
16	Q Factor	Q	50 000	-	-	
17	Ratio of Unwanted: Response Resistance to Resonance Resistance or Response Impedance to Resonance Resistance	$R_p/R$ or $ Z_p /R$	3:1	-		In the frequency range: $f_L - 200\text{kHz}$ to $f_L + 200\text{kHz}$
18	Ageing	$\frac{\Delta f}{f}$	-3.0	+ 3.0	$10^{-6}$	After burn-in and per year
19	Lead Finish	-	2		-	



**TABLE 1(a) - TYPE VARIANT DETAILED INFORMATION**

TYPE VARIANT NO. 57

	Characteristics	Symbol	Limits		Unit	Remarks
			Min.	Max.		
1	Resonance Frequency	$f_L$	5.24288		MHz	
2	Reference Temperature	$T_o$	+ 60		°C	
3	Overtone Order	-	Fundamental			
4	Load Capacitance	$C_L$	22		pF	
5	Rated Drive Level	$P_o$	0.1		mW	
6	Frequency Adjustment Tolerance	$\frac{\Delta f}{f}$	-10	+ 10	$10^{-6}$	At $T_o$ °C
7	Resonance Resistance	$R_L$	-	13	$\Omega$	Over $T_{op}$ °C
8	Frequency Variation with Temperature over $T_{op}$	$\frac{\Delta f}{f}$	-15	+ 15	$10^{-6}$	From frequency measured at $T_o$ °C
9	Resistance Variation with Temperature over $T_{op}$	$\frac{\Delta R}{R}$	Not applicable		%	
10	Operating Temperature Range	$T_{op}$	-20	+ 70	°C	
11	Frequency variation with Drive Level	$\frac{\Delta f}{f}$	Not applicable		$10^{-6}$	
12	Resistance variation with Drive Level	$\frac{\Delta R}{R}$	Not applicable		%	
13	Motional Inductance	$L_1$	Not applicable		mH	
14	Motional Capacitance	$C_1$	Not applicable		fF	
15	Static Capacitance	$C_o$	Not applicable		pF	
16	Q Factor	Q	50 000	-	-	
17	Ratio of Unwanted: Response Resistance to Resonance Resistance or Response Impedance to Resonance Resistance	$R_p/R$  $ Z_p /R$	3:1	-		In the frequency range: $f_L$ -200kHz to $f_L$ + 200kHz
18	Ageing	$\frac{\Delta f}{f}$	-3.0	+ 3.0	$10^{-6}$	After burn-in and per year
19	Lead Finish	-	2			



**TABLE 1(a) - TYPE VARIANT DETAILED INFORMATION**

**TYPE VARIANT NO. 58**

No.	Characteristics	Symbol	Limits		Unit	Remarks
			Min.	Max.		
1	Resonance Frequency	$f_L$	8.0		MHz	
2	Reference Temperature	$T_o$	+60		°C	
3	Overtone Order	-	Fundamental			
4	Load Capacitance	$C_L$	22		pF	
5	Rated Drive Level	$P_o$	0.1		mW	
6	Frequency Adjustment Tolerance	$\frac{\Delta f}{f}$	-10	+10	$10^{-6}$	At $T_o$ °C
7	Resonance Resistance	$R_L$	-	13	$\Omega$	Over $T_{op}$ °C
8	Frequency Variation with Temperature over $T_{op}$	$\frac{\Delta f}{f}$	-15	+15	$10^{-6}$	From frequency measured at $T_o$ °C
9	Resistance Variation with Temperature over $T_{op}$	$\frac{\Delta R}{R}$	Not applicable		%	
10	Operating Temperature Range	$T_{op}$	-20	+70	°C	
11	Frequency variation with Drive Level	$\frac{\Delta f}{f}$	Not applicable		$10^{-6}$	
12	Resistance variation with Drive Level	$\frac{\Delta R}{R}$	Not applicable		%	
13	Motional Inductance	$L_1$	Not applicable		mH	
14	Motional Capacitance	$C_1$	Not applicable		fF	
15	Static Capacitance	$C_o$	Not applicable		pF	
16	Q Factor	Q	50 000	-	-	
17	Ratio of Unwanted: Response Resistance to Resonance Resistance or Response Impedance to Resonance Resistance	$R_p/R$ $ Z_{pl}/R$	3:1	-		In the frequency range: $f_L - 200\text{kHz}$ to $f_L + 200\text{kHz}$
18	Ageing	$\frac{\Delta f}{f}$	-3.0	+3.0	$10^{-6}$	After burn-in and per year
19	Lead Finish	-	2		-	





**TABLE 1(a) - TYPE VARIANT DETAILED INFORMATION**

**TYPE VARIANT NO. 59**

No.	Characteristics	Symbol	Limits		Unit	Remarks
			Min.	Max.		
1	Resonance Frequency	$f_L$	13.332		MHz	
2	Reference Temperature	$T_o$	+ 40		°C	
3	Overtone Order	-	Fundamental			
4	Load Capacitance	$C_L$	50		pF	
5	Rated Drive Level	$P_o$	0.1		mW	
6	Frequency Adjustment Tolerance	$\frac{\Delta f}{f}$	-10	+ 10	$10^{-6}$	At $T_o$ °C
7	Resonance Resistance	$R_L$	-	13	$\Omega$	Over $T_{op}$ °C
8	Frequency Variation with Temperature over $T_{op}$	$\frac{\Delta f}{f}$	-15	+ 15	$10^{-6}$	From frequency measured at $T_o$ °C
9	Resistance Variation with Temperature over $T_{op}$	$\frac{\Delta R}{R}$	Not applicable		%	
10	Operating Temperature Range	$T_{op}$	-20	+ 80	°C	
11	Frequency variation with Drive Level	$\frac{\Delta f}{f}$	Not applicable		$10^{-6}$	
12	Resistance variation with Drive Level	$\frac{\Delta R}{R}$	Not applicable		%	
13	Motional Inductance	$L_1$	Not applicable		mH	
14	Motional Capacitance	$C_1$	Not applicable		fF	
15	Static Capacitance	$C_o$	Not applicable		pF	
16	Q Factor	Q	50 000	-	-	
17	Ratio of Unwanted: Response Resistance to Resonance Resistance or Response Impedance to Resonance Resistance	$R_p/R$ or $ Z_{pl}/R$	3:1	-		In the frequency range: $f_L - 200\text{kHz}$ to $f_L + 200\text{kHz}$
18	Ageing	$\frac{\Delta f}{f}$	-3.0	+ 3.0	$10^{-6}$	After burn-in and per year
19	Lead Finish	-	2		-	



**TABLE 1(a) - TYPE VARIANT DETAILED INFORMATION**

TYPE VARIANT NO. 60

No.	Characteristics	Symbol	Limits		Unit	Remarks
			Min.	Max.		
1	Resonance Frequency	$f_L$	4.194304		MHz	
2	Reference Temperature	$T_o$	+25		°C	
3	Overtone Order	-	Fundamental			
4	Load Capacitance	$C_L$	30		pF	
5	Rated Drive Level	$P_o$	0.1		mW	
6	Frequency Adjustment Tolerance	$\frac{\Delta f}{f}$	-10	+10	$10^{-6}$	At $T_o$ °C
7	Resonance Resistance	$R_L$	-	40	$\Omega$	At $T_o$ °C
8	Frequency Variation with Temperature over $T_{op}$	$\frac{\Delta f}{f}$	-10	+10	$10^{-6}$	From frequency measured at $T_o$ °C
9	Resistance Variation with Temperature over $T_{op}$	$\frac{\Delta R}{R}$	-10 or -1.5	+10 +1.5	% $\Omega$	From resistance measured at $T_o$ °C If $R < 10\Omega$
10	Operating Temperature Range	$T_{op}$	-30	+70	°C	
11	Frequency variation with Drive Level	$\frac{\Delta f}{f}$	Not applicable		$10^{-6}$	
12	Resistance variation with Drive Level	$\frac{\Delta R}{R}$	Not applicable		%	
13	Motional Inductance	$L_1$	120	-	mH	
14	Motional Capacitance	$C_1$	-	-	fF	
15	Static Capacitance	$C_o$	-	4.0	pF	
16	Q Factor	Q	300 000	-	-	
17	Ratio of Unwanted: Response Resistance to Resonance Resistance or Response Impedance to Resonance Resistance	$R_p/R$ or $iZ_p/R$	Not applicable			
18	Ageing	$\frac{\Delta f}{f}$	-3.0	+3.0	$10^{-6}$	After burn-in, over 5 years
19	Lead Finish	-	2		-	

**TABLE 1(a) - TYPE VARIANT DETAILED INFORMATION****TYPE VARIANT NO. 61**

No.	Characteristics	Symbol	Limits		Unit	Remarks
			Min.	Max.		
1	Resonance Frequency	$f_L$	12.25		MHz	
2	Reference Temperature	$T_0$	+25		°C	
3	Overtone Order	-	Fundamental			
4	Load Capacitance	$C_L$	32		pF	
5	Rated Drive Level	$P_0$	0.1		mW	
6	Frequency Adjustment Tolerance	$\frac{\Delta f}{f}$	-8.0	+8.0	10 <sup>-6</sup>	At $T_0$ °C
7	Resonance Resistance	$R_L$	-	100	Ω	At $T_0$ °C
8	Frequency Variation with Temperature over $T_{op}$	$\frac{\Delta f}{f}$	-10	+10	10 <sup>-6</sup>	From frequency measured at $T_0$ °C
9	Resistance Variation with Temperature over $T_{op}$	$\frac{\Delta R}{R}$	-10 or -1.5	+10 +1.5	% Ω	From resistance measured at $T_0$ °C If $R < 10\Omega$
10	Operating Temperature Range	$T_{op}$	-20	+70	°C	
11	Frequency variation with Drive Level	$\frac{\Delta f}{f}$	Not applicable		10 <sup>-6</sup>	
12	Resistance variation with Drive Level	$\frac{\Delta R}{R}$	Not applicable		%	
13	Motional Inductance	$L_1$	4.5	5.5	mH	
14	Motional Capacitance	$C_1$	-	-	fF	
15	Static Capacitance	$C_0$	-	3.0	pF	
16	Q Factor	Q	30 000	-	-	
17	Unwanted Response Resistance	$R_p$	25	-	kΩ	In the frequency range: $f_L - 30\text{kHz}$ to $f_L + 30\text{kHz}$
18	Ageing	$\frac{\Delta f}{f}$	-10	+10	10 <sup>-6</sup>	After burn-in, over 5 years
19	Lead Finish	-	2		-	



**TABLE 1(a) - TYPE VARIANT DETAILED INFORMATION**

TYPE VARIANT NO. 62

	Characteristics	Symbol	Limits		Unit	Remarks
			Min.	Max.		
1	Resonance Frequency	$f_r$	4.096		MHz	
2	Reference Temperature	$T_o$	+ 25		°C	
3	Overtone Order	-	Fundamental			
4	Load Capacitance	$C_L$	$\infty$		pF	
5	Rated Drive Level	$P_o$	0.1		mW	
6	Frequency Adjustment Tolerance	$\frac{\Delta f}{f}$	-10	+ 10	$10^{-6}$	At $T_o$ °C
7	Resonance Resistance	$R_r$	-	50	$\Omega$	Over $T_{op}$ °C
8	Frequency Variation with Temperature over $T_{op}$	$\frac{\Delta f}{f}$	-15	+ 15	$10^{-6}$	From frequency measured at $T_o$ °C
9	Resistance Variation with Temperature over $T_{op}$	$\frac{\Delta R}{R}$	Not applicable		%	
10	Operating Temperature Range	$T_{op}$	-30	+ 80	°C	
11	Frequency variation with Drive Level	$\frac{\Delta f}{f}$	Not applicable		$10^{-6}$	
12	Resistance variation with Drive Level	$\frac{\Delta R}{R}$	Not applicable		%	
13	Motional Inductance	$L_1$	Not applicable		mH	
14	Motional Capacitance	$C_1$	Not applicable		fF	
15	Static Capacitance	$C_o$	Not applicable		pF	
16	Q Factor	Q	75 000	-	-	
17	Ratio of Unwanted: Response Resistance to Resonance Resistance or Response Impedance to Resonance Resistance	$R_p/R$ or $ Z_p /R$	3:1	-		In the frequency range: $f_r - 200\text{kHz}$ to $f_r + 200\text{kHz}$
18	Ageing	$\frac{\Delta f}{f}$	-3.0	+ 3.0	$10^{-6}$	After burn-in and per year
19	Lead Finish	-	2		-	



**TABLE 1(a) - TYPE VARIANT DETAILED INFORMATION**

TYPE VARIANT NO. 63

No.	Characteristics	Symbol	Limits		Unit	Remarks
			Min.	Max.		
1	Resonance Frequency	$f_r$	4.194304		MHz	
2	Reference Temperature	$T_0$	+ 25		°C	
3	Overtone Order	-	Fundamental			
4	Load Capacitance	$C_L$	$\infty$		pF	
5	Rated Drive Level	$P_0$	0.1		mW	
6	Frequency Adjustment Tolerance	$\frac{\Delta f}{f}$	-10	+ 10	$10^{-6}$	At $T_0$ °C
7	Resonance Resistance	$R_r$	-	50	$\Omega$	Over $T_{op}$ °C
8	Frequency Variation with Temperature over $T_{op}$	$\frac{\Delta f}{f}$	-15	+ 15	$10^{-6}$	From frequency measured at $T_0$ °C
9	Resistance Variation with Temperature over $T_{op}$	$\frac{\Delta R}{R}$	Not applicable		%	
10	Operating Temperature Range	$T_{op}$	-30	+ 80	°C	
11	Frequency variation with Drive Level	$\frac{\Delta f}{f}$	Not applicable		$10^{-6}$	
12	Resistance variation with Drive Level	$\frac{\Delta R}{R}$	Not applicable		%	
13	Motional Inductance	$L_1$	Not applicable		mH	
14	Motional Capacitance	$C_1$	Not applicable		fF	
15	Static Capacitance	$C_0$	Not applicable		pF	
16	Q Factor	Q	75 000	-	-	
17	Ratio of Unwanted: Response Resistance to Resonance Resistance or Response Impedance to Resonance Resistance	$R_p/R$ or $ Z_p /R$	3:1	-		In the frequency range: $f_r - 10\%$ to $f_r + 10\%$
18	Ageing	$\frac{\Delta f}{f}$	-3.0	+ 3.0	$10^{-6}$	After burn-in and per year
19	Lead Finish	-	2			



**TABLE 1(a) - TYPE VARIANT DETAILED INFORMATION**

**TYPE VARIANT NO. 64**

No.	Characteristics	Symbol	Limits		Unit	Remarks
			Min.	Max.		
1	Resonance Frequency	$f_L$	5.24288		MHz	
2	Reference Temperature	$T_o$	+20	+30	°C	
3	Overtone Order	-	Fundamental			
4	Load Capacitance	$C_L$	22		pF	
5	Rated Drive Level	$P_o$	0.1		mW	
6	Frequency Adjustment Tolerance	$\frac{\Delta f}{f}$	-10	+10	$10^{-6}$	At $T_o$ °C
7	Resonance Resistance	$R_L$	-	13	$\Omega$	Over $T_{op}$ °C
8	Frequency Variation with Temperature over $T_{op}$	$\frac{\Delta f}{f}$	-15	+15	$10^{-6}$	From frequency measured at $T_o$ °C
9	Resistance Variation with Temperature over $T_{op}$	$\frac{\Delta R}{R}$	Not applicable		%	
10	Operating Temperature Range	$T_{op}$	-20	+70	°C	
11	Frequency variation with Drive Level	$\frac{\Delta f}{f}$	Not applicable		$10^{-6}$	
12	Resistance variation with Drive Level	$\frac{\Delta R}{R}$	Not applicable		%	
13	Motional Inductance	$L_1$	Not applicable		mH	
14	Motional Capacitance	$C_1$	Not applicable		fF	
15	Static Capacitance	$C_o$	Not applicable		pF	
16	Q Factor	Q	50 000	-	-	
17	Ratio of Unwanted: Response Resistance to Resonance Resistance or Response Impedance to Resonance Resistance	$R_p/R$ or $ Z_p /R$	3:1	-		In the frequency range: $f_L - 200\text{kHz}$ to $f_L + 200\text{kHz}$
18	Ageing	$\frac{\Delta f}{f}$	-3.0	+3.0	$10^{-6}$	After burn-in and per year
19	Lead Finish	-	2		-	



**TABLE 1(a) - TYPE VARIANT DETAILED INFORMATION**

TYPE VARIANT NO. 65

No.	Characteristics	Symbol	Limits		Unit	Remarks
			Min.	Max.		
1	Resonance Frequency	$f_L$	12.25		MHz	
2	Reference Temperature	$T_0$	+25		°C	
3	Overtone Order	-	Fundamental			
4	Load Capacitance	$C_L$	32		pF	
5	Rated Drive Level	$P_0$	0.1		mW	
6	Frequency Adjustment Tolerance	$\frac{\Delta f}{f}$	-8.0	+8.0	10 <sup>-6</sup>	At $T_0$ °C
7	Resonance Resistance	$R_L$	-	10	Ω	At $T_0$ °C
8	Frequency Variation with Temperature over $T_{op}$	$\frac{\Delta f}{f}$	-10	+10	10 <sup>-6</sup>	From frequency measured at $T_0$ °C
9	Resistance Variation with Temperature over $T_{op}$	$\frac{\Delta R}{R}$	-50	+50	%	From resistance measured at $T_0$ °C
10	Operating Temperature Range	$T_{op}$	-20	+70	°C	
11	Frequency variation with Drive Level	$\frac{\Delta f}{f}$	Not applicable		10 <sup>-6</sup>	
12	Resistance variation with Drive Level	$\frac{\Delta R}{R}$	Not applicable		%	
13	Motional Inductance	$L_1$	9.0	11	mH	
14	Motional Capacitance	$C_1$	Not applicable		fF	
15	Static Capacitance	$C_0$	-	3.0	pF	
16	Q Factor	Q	80 000	-	-	
17	Ratio of Unwanted: Response Resistance to Resonance Resistance or Response Impedance to Resonance Resistance	$R_p/R$ $ Z_p /R$	10:1	-		In the frequency range: $f_L$ -300kHz to $f_L$ +200kHz
18	Ageing	$\frac{\Delta f}{f}$	-10	+10	10 <sup>-6</sup>	After burn-in, over 5 years
19	Lead Finish	-	2		-	



**TABLE 1(a) - TYPE VARIANT DETAILED INFORMATION**

TYPE VARIANT NO. 66

No.	Characteristics	Symbol	Limits		Unit	Remarks
			Min.	Max.		
1	Resonance Frequency	$f_L$	5.0		MHz	
2	Reference Temperature	$T_o$	+25		°C	
3	Overtone Order	-	Fundamental			
4	Load Capacitance	$C_L$	20	40	pF	
5	Rated Drive Level	$P_o$	0.1		mW	
6	Frequency Adjustment Tolerance	$\frac{\Delta f}{f}$	-10	+10	$10^{-6}$	At $T_o$ °C
7	Resonance Resistance	$R_L$	-	10	$\Omega$	At $T_o$ °C
8	Frequency Variation with Temperature over $T_{op}$	$\frac{\Delta f}{f}$	-2.5	+2.5	$10^{-6}$	From frequency measured at $T_o$ °C
9	Resistance Variation with Temperature over $T_{op}$	$\frac{\Delta R}{R}$	-10 or -1.5	+10 +1.5	% $\Omega$	From resistance measured at $T_o$ °C If $R < 10\Omega$
10	Operating Temperature Range	$T_{op}$	-10	+40	°C	
11	Frequency variation with Drive Level	$\frac{\Delta f}{f}$	Not applicable		$10^{-6}$	
12	Resistance variation with Drive Level	$\frac{\Delta R}{R}$	Not applicable		%	
13	Motional Inductance	$L_1$	70	120	mH	
14	Motional Capacitance	$C_1$	Not applicable		fF	
15	Static Capacitance	$C_o$	3.0	5.0	pF	
16	Q Factor	Q	350 000	-	-	
17	Ratio of Unwanted: Response Resistance to Resonance Resistance or Response Impedance to Resonance Resistance	$R_p/R$ or $ Z_p /R$	Not applicable			
18	Ageing	$\frac{\Delta f}{f}$	-65	+65	$10^{-6}$	After burn-in, per year
19	Lead Finish	-	2		-	





**TABLE 1(a) - TYPE VARIANT DETAILED INFORMATION**

TYPE VARIANT NO. 67

	Characteristics	Symbol	Limits		Unit	Remarks
			Min.	Max.		
1	Resonance Frequency	$f_L$	5.0		MHz	
2	Reference Temperature	$T_o$	+25	+29	°C	
3	Overtone Order	-	Fundamental			
4	Load Capacitance	$C_L$	30		pF	
5	Rated Drive Level	$P_o$	0.1		mW	
6	Frequency Adjustment Tolerance	$\frac{\Delta f}{f}$	-10	+10	$10^{-6}$	At $T_o$ °C
7	Resonance Resistance	$R_L$	-	30	$\Omega$	At $T_o$ °C
8	Frequency Variation with Temperature over $T_{op}$	$\frac{\Delta f}{f}$	-10	+10	$10^{-6}$	From frequency measured at $T_o$ °C
9	Resistance Variation with Temperature over $T_{op}$	$\frac{\Delta R}{R}$	-10 or -1.5	+10 +1.5	% $\Omega$	From resistance measured at $T_o$ °C If $R < 10\Omega$
10	Operating Temperature Range	$T_{op}$	-20	+70	°C	
11	Frequency variation with Drive Level	$\frac{\Delta f}{f}$	Not applicable		$10^{-6}$	
12	Resistance variation with Drive Level	$\frac{\Delta R}{R}$	Not applicable		%	
13	Motional Inductance	$L_1$	Not applicable		mH	
14	Motional Capacitance	$C_1$	Not applicable		fF	
15	Static Capacitance	$C_o$	Not applicable		pF	
16	Q Factor	Q	200 000	-	-	
17	Ratio of Unwanted: Response Resistance to Resonance Resistance or Response Impedance to Resonance Resistance	$R_p/R$ or $ Z_p /R$	2:1	-		In the frequency range: $f_L - 200\text{kHz}$ to $f_L + 200\text{kHz}$
18	Ageing	$\frac{\Delta f}{f}$	-3.0	+3.0	$10^{-6}$	After burn-in, per year
19	Lead Finish	-	2		-	



**TABLE 1(a) - TYPE VARIANT DETAILED INFORMATION**

TYPE VARIANT NO. 68

No.	Characteristics	Symbol	Limits		Unit	Remarks
			Min.	Max.		
1	Resonance Frequency	$f_L$	12.0		MHz	
2	Reference Temperature	$T_o$	+25	+29	°C	
3	Overtone Order	-	Fundamental			
4	Load Capacitance	$C_L$	30		pF	
5	Rated Drive Level	$P_o$	0.1		mW	
6	Frequency Adjustment Tolerance	$\frac{\Delta f}{f}$	-10	+10	$10^{-6}$	At $T_o$ °C
7	Resonance Resistance	$R_L$	-	30	$\Omega$	At $T_o$ °C
8	Frequency Variation with Temperature over $T_{op}$	$\frac{\Delta f}{f}$	-10	+10	$10^{-6}$	From frequency measured at $T_o$ °C
9	Resistance Variation with Temperature over $T_{op}$	$\frac{\Delta R}{R}$	-10 or -1.5	+10 +1.5	% $\Omega$	From resistance measured at $T_o$ °C if $R < 10\Omega$
10	Operating Temperature Range	$T_{op}$	-20	+70	°C	
11	Frequency variation with Drive Level	$\frac{\Delta f}{f}$	Not applicable		$10^{-6}$	
12	Resistance variation with Drive Level	$\frac{\Delta R}{R}$	Not applicable		%	
13	Motional Inductance	$L_1$	Not applicable		mH	
14	Motional Capacitance	$C_1$	Not applicable		fF	
15	Static Capacitance	$C_o$	Not applicable		pF	
16	Q Factor	Q	80 000	-	-	
17	Ratio of Unwanted: Response Resistance to Resonance Resistance or Response Impedance to Resonance Resistance	$R_p/R$ or $ Z_p /R$	2:1	-		In the frequency range: $f_L - 200\text{kHz}$ to $f_L + 200\text{kHz}$
18	Ageing	$\frac{\Delta f}{f}$	-3.0	+3.0	$10^{-6}$	After burn-in, per year
19	Lead Finish	-	2		-	



**TABLE 1(a) - TYPE VARIANT DETAILED INFORMATION**

TYPE VARIANT NO. 69

No.	Characteristics	Symbol	Limits		Unit	Remarks
			Min.	Max.		
1	Resonance Frequency	$f_r$	11.0		MHz	
2	Reference Temperature	$T_o$	+23	+27	°C	
3	Overtone Order	-	Fundamental			
4	Load Capacitance	$C_L$	$\infty$		pF	
5	Rated Drive Level	$P_o$	0.1		mW	
6	Frequency Adjustment Tolerance	$\frac{\Delta f}{f}$	-10	+10	$10^{-6}$	At $T_o$ °C
7	Resonance Resistance	$R_r$	-	15	$\Omega$	At $T_o$ °C
8	Frequency Variation with Temperature over $T_{op}$	$\frac{\Delta f}{f}$	-12	+12	$10^{-6}$	From frequency measured at $T_o$ °C
9	Resistance Variation with Temperature over $T_{op}$	$\frac{\Delta R}{R}$	-10 or -1.5	+10 +1.5	% $\Omega$	From resistance measured at $T_o$ °C if $R < 10\Omega$
10	Operating Temperature Range	$T_{op}$	-20	+80	°C	
11	Frequency variation with Drive Level	$\frac{\Delta f}{f}$	Not applicable		$10^{-6}$	
12	Resistance variation with Drive Level	$\frac{\Delta R}{R}$	Not applicable		%	
13	Motional Inductance	$L_1$	11.2	16.8	mH	
14	Motional Capacitance	$C_1$	Not applicable		fF	
15	Static Capacitance	$C_o$	-	7.0	pF	
16	Q Factor	Q	50 000	-	-	
17	Ratio of Unwanted: Response Resistance to Resonance Resistance or Response Impedance to Resonance Resistance	$R_p/R$ or $ Z_p /R$	2:1	-		In the frequency range: $f_r - 200\text{kHz}$ to $f_r + 200\text{kHz}$
18	Ageing	$\frac{\Delta f}{f}$	-3.0	+3.0	$10^{-6}$	After burn-in, per year
19	Lead Finish	-	2		-	



**TABLE 1(a) - TYPE VARIANT DETAILED INFORMATION**

TYPE VARIANT NO. 70

No.	Characteristics	Symbol	Limits		Unit	Remarks
			Min.	Max.		
1	Resonance Frequency	$f_L$	12.0		MHz	Swept
2	Reference Temperature	$T_0$	+23	+27	°C	
3	Overtone Order	-	Fundamental			
4	Load Capacitance	$C_L$	31.7	32.3	pF	
5	Rated Drive Level	$P_0$	0.1		mW	
6	Frequency Adjustment Tolerance	$\frac{\Delta f}{f}$	-10	+10	$10^{-6}$	At $T_0$ °C
7	Resonance Resistance	$R_L$	-	20	$\Omega$	At $T_0$ °C
8	Frequency Variation with Temperature over $T_{op}$	$\frac{\Delta f}{f}$	-15	+15	$10^{-6}$	From frequency measured at $T_0$ °C
9	Resistance Variation with Temperature over $T_{op}$	$\frac{\Delta R}{R}$	-20 or -2.0	+20 +2.0 whichever is greater	% $\Omega$	From resistance measured at $T_0$ °C
10	Operating Temperature Range	$T_{op}$	-25	+90	°C	
11	Frequency variation with Drive Level	$\frac{\Delta f}{f}$	Not applicable		$10^{-6}$	
12	Resistance variation with Drive Level	$\frac{\Delta R}{R}$	Not applicable		%	
13	Motional Inductance	$L_1$	7.0	-	mH	
14	Motional Capacitance	$C_1$	Not applicable		fF	
15	Static Capacitance	$C_0$	Not applicable		pF	
16	Q Factor	Q	90 000	-	-	
17	Ratio of Unwanted: Response Resistance to Resonance Resistance or Response Impedance to Resonance Resistance	$R_p/R$ or $ Z_p /R$	2:1	-		In the frequency range: $f_L - 300\text{kHz}$ to $f_L + 300\text{kHz}$
18	Ageing	$\frac{\Delta f}{f}$	-3.0	+3.0	$10^{-6}$	After burn-in, per year over 3 years
19	Lead Finish	-	2			



**TABLE 1(a) - TYPE VARIANT DETAILED INFORMATION**

TYPE VARIANT NO. 71

No.	Characteristics	Symbol	Limits		Unit	Remarks
			Min.	Max.		
1	Resonance Frequency	$f_L$	4.9152		MHz	
2	Reference Temperature	$T_o$	+23	+27	°C	
3	Overtone Order	-	Fundamental			
4	Load Capacitance	$C_L$	30		pF	
5	Rated Drive Level	$P_o$	0.1		mW	
6	Frequency Adjustment Tolerance	$\frac{\Delta f}{f}$	-10	+10	$10^{-6}$	At $T_o$ °C
7	Resonance Resistance	$R_L$	-	40	$\Omega$	At $T_o$ °C
8	Frequency Variation with Temperature over $T_{op}$	$\frac{\Delta f}{f}$	-20	+20	$10^{-6}$	From frequency measured at $T_o$ °C
9	Resistance Variation with Temperature over $T_{op}$	$\frac{\Delta R}{R}$	-10 or -2.0	+10 +2.0	% $\Omega$	From resistance measured at $T_o$ °C
10	Operating Temperature Range	$T_{op}$	-20	+60	°C	
11	Frequency variation with Drive Level	$\frac{\Delta f}{f}$	Not applicable		$10^{-6}$	
12	Resistance variation with Drive Level	$\frac{\Delta R}{R}$	Not applicable		%	
13	Motional Inductance	$L_1$	Not applicable		mH	
14	Motional Capacitance	$C_1$	Not applicable		fF	
15	Static Capacitance	$C_o$	-	7.0	pF	
16	Q Factor	Q	250 000	-	-	
17	Ratio of Unwanted: Response Resistance to Resonance Resistance or Response Impedance to Resonance Resistance	$R_p/R$ or $ Z_p /R$	2:1	-		In the frequency range: $f_L - 200\text{kHz}$ to $f_L + 200\text{kHz}$
18	Ageing	$\frac{\Delta f}{f}$	-2.0	+2.0	$10^{-6}$	Per year after burn-in
19	Lead Finish	-	2			



**TABLE 1(a) - TYPE VARIANT DETAILED INFORMATION**

TYPE VARIANT NO. 72

No.	Characteristics	Symbol	Limits		Unit	Remarks
			Min.	Max.		
1	Resonance Frequency	$f_L$	15.0		MHz	
2	Reference Temperature	$T_o$	+23	+27	°C	
3	Overtone Order	-	Fundamental			
4	Load Capacitance	$C_L$	30		pF	
5	Rated Drive Level	$P_o$	0.1		mW	
6	Frequency Adjustment Tolerance	$\frac{\Delta f}{f}$	-10	+10	$10^{-6}$	At $T_o$ °C
7	Resonance Resistance	$R_L$	-	20	$\Omega$	Over $T_{op}$ °C
8	Frequency Variation with Temperature over $T_{op}$	$\frac{\Delta f}{f}$	-30	+30	$10^{-6}$	From frequency measured at $T_o$ °C
9	Resistance Variation with Temperature over $T_{op}$	$\frac{\Delta R}{R}$	Not applicable		%	
10	Operating Temperature Range	$T_{op}$	-40	+85	°C	
11	Frequency variation with Drive Level	$\frac{\Delta f}{f}$	Not applicable		$10^{-6}$	
12	Resistance variation with Drive Level	$\frac{\Delta R}{R}$	Not applicable		%	
13	Motional Inductance	$L_1$	Not applicable		mH	
14	Motional Capacitance	$C_1$	Not applicable		fF	
15	Static Capacitance	$C_o$	-	7.0	pF	
16	Q Factor	Q	65 000	-	-	
17	Ratio of Unwanted: Response Resistance to Resonance Resistance or Response Impedance to Resonance Resistance	$R_p/R$ or $ Z_{pl}/R$	2:1	-		In the frequency range: $f_L$ -200kHz to $f_L$ +200kHz
18	Ageing	$\frac{\Delta f}{f}$	-1.0	+1.0	$10^{-6}$	Per year after burn-in
19	Lead Finish	-	2			



**TABLE 1(a) - TYPE VARIANT DETAILED INFORMATION**

TYPE VARIANT NO. 73

No.	Characteristics	Symbol	Limits		Unit	Remarks
			Min.	Max.		
1	Resonance Frequency	$f_L$	7.5		MHz	
2	Reference Temperature	$T_0$	+23	+27	°C	
3	Overtone Order	-	Fundamental			
4	Load Capacitance	$C_L$	30		pF	
5	Rated Drive Level	$P_0$	0.1		mW	
6	Frequency Adjustment Tolerance	$\frac{\Delta f}{f}$	-50	+50	$10^{-6}$	At $T_0$ °C
7	Resonance Resistance	$R_L$	-	30	$\Omega$	At $T_0$ °C
8	Frequency Variation with Temperature over $T_{op}$	$\frac{\Delta f}{f}$	-50	+50	$10^{-6}$	From frequency measured at $T_0$ °C
9	Resistance Variation with Temperature over $T_{op}$	$\frac{\Delta R}{R}$	-10 or -1.5	+10 +1.5	% $\Omega$	From resistance measured at $T_0$ °C If $R < 10\Omega$
10	Operating Temperature Range	$T_{op}$	-20	+50	°C	
11	Frequency variation with Drive Level	$\frac{\Delta f}{f}$	Not applicable		$10^{-6}$	
12	Resistance variation with Drive Level	$\frac{\Delta R}{R}$	Not applicable		%	
13	Motional Inductance	$L_1$	Not applicable		mH	
14	Motional Capacitance	$C_1$	Not applicable		fF	
15	Static Capacitance	$C_0$	-	5.0	pF	
16	Q Factor	Q	80 000	-	-	
17	Ratio of Unwanted: Response Resistance to Resonance Resistance or Response Impedance to Resonance Resistance	$R_p/R$ or $ Z_p /R$	2:1	-		In the frequency range: $f_L - 200\text{kHz}$ to $f_L + 200\text{kHz}$
18	Ageing	$\frac{\Delta f}{f}$	-10	+10	$10^{-6}$	Over 10 years
19	Lead Finish	-	2		-	



**TABLE 1(a) - TYPE VARIANT DETAILED INFORMATION**

**TYPE VARIANT NO. 74**

No.	Characteristics	Symbol	Limits		Unit	Remarks
			Min.	Max.		
1	Resonance Frequency	$f_L$	8.194442		MHz	
2	Reference Temperature	$T_o$	+23	+27	°C	
3	Overtone Order	-	Fundamental			
4	Load Capacitance	$C_L$	30		pF	
5	Rated Drive Level	$P_o$	0.1		mW	
6	Frequency Adjustment Tolerance	$\frac{\Delta f}{f}$	-10	+10	$10^{-6}$	At $T_o$ °C
7	Resonance Resistance	$R_L$	-	40	$\Omega$	At $T_o$ °C
8	Frequency Variation with Temperature over $T_{op}$	$\frac{\Delta f}{f}$	-10	+10	$10^{-6}$	From frequency measured at $T_o$ °C
9	Resistance Variation with Temperature over $T_{op}$	$\frac{\Delta R}{R}$	-10 or -1.5	+10 +1.5	% $\Omega$	From resistance measured at $T_o$ °C If $R < 10\Omega$
10	Operating Temperature Range	$T_{op}$	-20	+50	°C	
11	Frequency variation with Drive Level	$\frac{\Delta f}{f}$	Not applicable		$10^{-6}$	
12	Resistance variation with Drive Level	$\frac{\Delta R}{R}$	Not applicable		%	
13	Motional Inductance	$L_1$	Not applicable		mH	
14	Motional Capacitance	$C_1$	Not applicable		fF	
15	Static Capacitance	$C_o$	-	7.0	pF	
16	Q Factor	Q	80 000	-	-	
17	Ratio of Unwanted: Response Resistance to Resonance Resistance or Response Impedance to Resonance Resistance	$R_p/R$ or $ Z_p /R$	2:1	-		In the frequency range: $f_L - 200\text{kHz}$ to $f_L + 200\text{kHz}$
18	Ageing	$\frac{\Delta f}{f}$	-5.0 -10	+5.0 +10	$10^{-6}$	After burn-in. Over 10 years
19	Lead Finish	-	2		-	





**TABLE 1(a) - TYPE VARIANT DETAILED INFORMATION**

TYPE VARIANT NO. 75

No.	Characteristics	Symbol	Limits		Unit	Remarks
			Min.	Max.		
1	Resonance Frequency	$f_L$	10.0		MHz	
2	Reference Temperature	$T_o$	+ 25		°C	
3	Overtone Order	-	Fundamental			
4	Load Capacitance	$C_L$	30		pF	
5	Rated Drive Level	$P_o$	0.1		mW	
6	Frequency Adjustment Tolerance	$\frac{\Delta f}{f}$	-50	+ 50	$10^{-6}$	At $T_o$ °C
7	Resonance Resistance	$R_L$	-	30	$\Omega$	At $T_o$ °C
8	Frequency Variation with Temperature over $T_{op}$	$\frac{\Delta f}{f}$	-50	+ 50	$10^{-6}$	From frequency measured at $T_o$ °C
9	Resistance Variation with Temperature over $T_{op}$	$\frac{\Delta R}{R}$	Not applicable		%	
10	Operating Temperature Range	$T_{op}$	-40	+ 70	°C	
11	Frequency variation with Drive Level	$\frac{\Delta f}{f}$	Not applicable		$10^{-6}$	
12	Resistance variation with Drive Level	$\frac{\Delta R}{R}$	Not applicable		%	
13	Motional Inductance	$L_1$	Not applicable		mH	
14	Motional Capacitance	$C_1$	Not applicable		fF	
15	Static Capacitance	$C_o$	Not applicable		pF	
16	Q Factor	Q	Not applicable		-	
17	Ratio of Unwanted: Response Resistance to Resonance Resistance or Response Impedance to Resonance Resistance	$R_p/R$ or $ Z_p /R$	Not applicable			
18	Ageing	$\frac{\Delta f}{f}$	-50	+ 50	$10^{-6}$	Over 5 years
19	Lead Finish	-	2		-	



**TABLE 1(a) - TYPE VARIANT DETAILED INFORMATION**

**TYPE VARIANT NO. 76**

No.	Characteristics	Symbol	Limits		Unit	Remarks
			Min.	Max.		
1	Resonance Frequency	$f_L$	4.0		MHz	Synthetic swept
2	Reference Temperature	$T_o$	+ 25		°C	High temperature cured
3	Overtone Order	-	Fundamental			AT cut
4	Load Capacitance	$C_L$	50		pF	
5	Rated Drive Level	$P_o$	0.1		mW	
6	Frequency Adjustment Tolerance	$\frac{\Delta f}{f}$	-10	+ 10	$10^{-6}$	At $T_o$ °C
7	Resonance Resistance	$R_L$	-	20	$\Omega$	Over $T_{op}$ °C
8	Frequency Variation with Temperature over $T_{op}$	$\frac{\Delta f}{f}$	-15	+ 15	$10^{-6}$	From frequency measured at $T_o$ °C measured each 2.5°C
9	Resistance Variation with Temperature over $T_{op}$	$\frac{\Delta R}{R}$	Not applicable		%	
10	Operating Temperature Range	$T_{op}$	-35	+ 70	°C	
11	Frequency variation with Drive Level	$\frac{\Delta f}{f}$	Not applicable		$10^{-6}$	
12	Resistance variation with Drive Level	$\frac{\Delta R}{R}$	Not applicable		%	
13	Motional Inductance	$L_1$	Not applicable		mH	
14	Motional Capacitance	$C_1$	Not applicable		fF	
15	Static Capacitance	$C_o$	-	7.0	pF	
16	Q Factor	Q	100 000	-	-	
17	Ratio of Unwanted: Response Resistance to Resonance Resistance or Response Impedance to Resonance Resistance	$R_p/R$ or $iZ_p/R$	Not applicable			
18	Ageing	$\frac{\Delta f}{f}$	-5.0	+ 5.0	$10^{-6}$	After burn-in and per year
19	Lead Finish	-	2		-	



**TABLE 1(a) - TYPE VARIANT DETAILED INFORMATION**

TYPE VARIANT NO. 77

No.	Characteristics	Symbol	Limits		Unit	Remarks
			Min.	Max.		
1	Resonance Frequency	$f_L$	8.388		MHz	
2	Reference Temperature	$T_o$	+23	+27	°C	
3	Overtone Order	-	Fundamental			
4	Load Capacitance	$C_L$	30		pF	
5	Rated Drive Level	$P_o$	0.1		mW	
6	Frequency Adjustment Tolerance	$\frac{\Delta f}{f}$	-20	+20	$10^{-6}$	At $T_o$ °C
7	Resonance Resistance	$R_L$	-	40	$\Omega$	At $T_o$ °C
8	Frequency Variation with Temperature over $T_{op}$	$\frac{\Delta f}{f}$	-50	+50	$10^{-6}$	From frequency measured at $T_o$ °C
9	Resistance Variation with Temperature over $T_{op}$	$\frac{\Delta R}{R}$	-10	+10	%	From resistance measured at $T_o$ °C If $R < 10\Omega$
			-1.5	+1.5	$\Omega$	
10	Operating Temperature Range	$T_{op}$	-10	+50	°C	
11	Frequency variation with Drive Level	$\frac{\Delta f}{f}$	Not applicable		$10^{-6}$	
12	Resistance variation with Drive Level	$\frac{\Delta R}{R}$	Not applicable		%	
13	Motional Inductance	$L_1$	Not applicable		mH	
14	Motional Capacitance	$C_1$	Not applicable		fF	
15	Static Capacitance	$C_o$	-	7.0	pF	
16	Q Factor	Q	80 000	-	-	
17	Ratio of Unwanted: Response Resistance to Resonance Resistance or Response Impedance to Resonance Resistance	$R_p/R$ or $ Z_p /R$	2:1	-		In the frequency range: $f_L - 200\text{kHz}$ to $f_L + 200\text{kHz}$
18	Ageing	$\frac{\Delta f}{f}$	-5.0	+5.0	$10^{-6}$	Per year after burn-in at $T_o$
19	Lead Finish	-	2		-	



**TABLE 1(a) - TYPE VARIANT DETAILED INFORMATION**

**TYPE VARIANT NO. 78**

No.	Characteristics	Symbol	Limits		Unit	Remarks
			Min.	Max.		
1	Resonance Frequency	$f_L$	4.194304		MHz	
2	Reference Temperature	$T_o$	+23	+27	°C	
3	Overtone Order	-	Fundamental			
4	Load Capacitance	$C_L$	30		pF	
5	Rated Drive Level	$P_o$	0.1		mW	
6	Frequency Adjustment Tolerance	$\frac{\Delta f}{f}$	-10	+10	$10^{-6}$	At $T_o$ °C
7	Resonance Resistance	$R_L$	-	40	$\Omega$	At $T_o$ °C
8	Frequency Variation with Temperature over $T_{op}$	$\frac{\Delta f}{f}$	-15	+15	$10^{-6}$	From frequency measured at $T_o$ °C
9	Resistance Variation with Temperature over $T_{op}$	$\frac{\Delta R}{R}$	-10	+10	%	From resistance measured at $T_o$ °C If $R < 10\Omega$
			-1.5	+1.5	$\Omega$	
10	Operating Temperature Range	$T_{op}$	-30	+70	°C	
11	Frequency variation with Drive Level	$\frac{\Delta f}{f}$	Not applicable		$10^{-6}$	
12	Resistance variation with Drive Level	$\frac{\Delta R}{R}$	Not applicable		%	
13	Motional Inductance	$L_1$	Not applicable		mH	
14	Motional Capacitance	$C_1$	Not applicable		fF	
15	Static Capacitance	$C_o$	-	7.0	pF	
16	Q Factor	Q	200 000	-	-	
17	Ratio of Unwanted: Response Resistance to Resonance Resistance or Response Impedance to Resonance Resistance	$R_p/R$ or $ Z_p /R$	2:1	-		In the frequency range: $f_L - 200\text{kHz}$ to $f_L + 200\text{kHz}$
18	Ageing	$\frac{\Delta f}{f}$	-3.0	+3.0	$10^{-6}$	Per year after burn-in at $T_o$
19	Lead Finish	-	2		-	



**TABLE 1(a) - TYPE VARIANT DETAILED INFORMATION**

TYPE VARIANT NO. 79

No.	Characteristics	Symbol	Limits		Unit	Remarks
			Min.	Max.		
1	Resonance Frequency	$f_L$	3.2768		MHz	
2	Reference Temperature	$T_o$	+23	+27	°C	
3	Overtone Order	-	Fundamental			
4	Load Capacitance	$C_L$	30		pF	
5	Rated Drive Level	$P_o$	0.1		mW	
6	Frequency Adjustment Tolerance	$\frac{\Delta f}{f}$	-10	+10	$10^{-6}$	At $T_o$ °C
7	Resonance Resistance	$R_L$	-	50	$\Omega$	At $T_o$ °C
8	Frequency Variation with Temperature over $T_{op}$	$\frac{\Delta f}{f}$	-20	+20	$10^{-6}$	From frequency measured at $T_o$ °C
9	Resistance Variation with Temperature over $T_{op}$	$\frac{\Delta R}{R}$	-20 or -1.0	+20 or +1.0	% $\Omega$	From resistance measured at $T_o$ °C
10	Operating Temperature Range	$T_{op}$	-30	+70	°C	
11	Frequency variation with Drive Level	$\frac{\Delta f}{f}$	Not applicable		$10^{-6}$	
12	Resistance variation with Drive Level	$\frac{\Delta R}{R}$	Not applicable		%	
13	Motional Inductance	$L_1$	Not applicable		mH	
14	Motional Capacitance	$C_1$	Not applicable		fF	
15	Static Capacitance	$C_o$	-	7.0	pF	
16	Q Factor	Q	200 000	-	-	
17	Ratio of Unwanted: Response Resistance to Resonance Resistance or Response Impedance to Resonance Resistance	$R_p/R$ or $ Z_p /R$	2:1	-		In the frequency range: $f_L - 200\text{kHz}$ to $f_L + 200\text{kHz}$
18	Ageing	$\frac{\Delta f}{f}$	-1.0	+1.0	$10^{-6}$	Per year after burn-in
19	Lead Finish	-	2		-	



**TABLE 1(a) - TYPE VARIANT DETAILED INFORMATION**

TYPE VARIANT NO. 80

No.	Characteristics	Symbol	Limits		Unit	Remarks
			Min.	Max.		
1	Resonance Frequency	$f_L$	16.0		MHz	
2	Reference Temperature	$T_0$	+23	+27	°C	
3	Overtone Order	-	Fundamental			
4	Load Capacitance	$C_L$	30		pF	
5	Rated Drive Level	$P_0$	0.1		mW	
6	Frequency Adjustment Tolerance	$\frac{\Delta f}{f}$	-10	+10	$10^{-6}$	At $T_0$ °C
7	Resonance Resistance	$R_L$	-	30	$\Omega$	At $T_0$ °C
8	Frequency Variation with Temperature over $T_{op}$	$\frac{\Delta f}{f}$	-15	+15	$10^{-6}$	From frequency measured at $T_0$ °C
9	Resistance Variation with Temperature over $T_{op}$	$\frac{\Delta R}{R}$	-10 or -1.5	+10 +1.5	% $\Omega$	From resistance measured at $T_0$ °C If $R < 10\Omega$
10	Operating Temperature Range	$T_{op}$	-30	+70	°C	
11	Frequency variation with Drive Level	$\frac{\Delta f}{f}$	Not applicable		$10^{-6}$	
12	Resistance variation with Drive Level	$\frac{\Delta R}{R}$	Not applicable		%	
13	Motional Inductance	$L_1$	Not applicable		mH	
14	Motional Capacitance	$C_1$	Not applicable		fF	
15	Static Capacitance	$C_0$	-	7.0	pF	
16	Q Factor	Q	80 000	-	-	
17	Ratio of Unwanted: Response Resistance to Resonance Resistance or Response Impedance to Resonance Resistance	$R_p/R$ or $ Z_p /R$	2:1	-		In the frequency range: $f_L - 200\text{kHz}$ to $f_L + 200\text{kHz}$
18	Ageing	$\frac{\Delta f}{f}$	-1.0	+1.0	$10^{-6}$	Per year after burn-in at $T_0$
19	Lead Finish	-	2		-	



**TABLE 1(a) - TYPE VARIANT DETAILED INFORMATION**

**TYPE VARIANT NO. 81**

No.	Characteristics	Symbol	Limits		Unit	Remarks
			Min.	Max.		
1	Resonance Frequency	$f_L$	15.0		MHz	
2	Reference Temperature	$T_o$	+23	+27	°C	
3	Overtone Order	-	Fundamental			
4	Load Capacitance	$C_L$	30		pF	
5	Rated Drive Level	$P_o$	0.1		mW	
6	Frequency Adjustment Tolerance	$\frac{\Delta f}{f}$	-10	+10	$10^{-6}$	At $T_o$ °C
7	Resonance Resistance	$R_L$	-	30	$\Omega$	At $T_o$ °C
8	Frequency Variation with Temperature over $T_{op}$	$\frac{\Delta f}{f}$	-15	+15	$10^{-6}$	From frequency measured at $T_o$ °C
9	Resistance Variation with Temperature over $T_{op}$	$\frac{\Delta R}{R}$	-10	+10	%	From resistance measured at $T_o$ °C If $R < 10\Omega$
			-1.5	+1.5	$\Omega$	
10	Operating Temperature Range	$T_{op}$	-30	+70	°C	
11	Frequency variation with Drive Level	$\frac{\Delta f}{f}$	Not applicable		$10^{-6}$	
12	Resistance variation with Drive Level	$\frac{\Delta R}{R}$	Not applicable		%	
13	Motional Inductance	$L_1$	Not applicable		mH	
14	Motional Capacitance	$C_1$	Not applicable		fF	
15	Static Capacitance	$C_o$	-	7.0	pF	
16	Q Factor	Q	80 000	-	-	
17	Ratio of Unwanted: Response Resistance to Resonance Resistance or Response Impedance to Resonance Resistance	$R_p/R$ or $ Z_p /R$	2:1	-		In the frequency range: $f_L - 200\text{kHz}$ to $f_L + 200\text{kHz}$
18	Ageing	$\frac{\Delta f}{f}$	-1.0	+1.0	$10^{-6}$	Per year after burn-in
19	Lead Finish	-	2		-	



**TABLE 1(a) - TYPE VARIANT DETAILED INFORMATION**

TYPE VARIANT NO. 82

No.	Characteristics	Symbol	Limits		Unit	Remarks
			Min.	Max.		
1	Resonance Frequency	$f_r$	4.096		MHz	
2	Reference Temperature	$T_o$	+23	+27	°C	
3	Overtone Order	-	Fundamental			
4	Load Capacitance	$C_L$	$\infty$		pF	
5	Rated Drive Level	$P_o$	0.1		mW	
6	Frequency Adjustment Tolerance	$\frac{\Delta f}{f}$	-10	+10	$10^{-6}$	At $T_o$ °C
7	Resonance Resistance	$R_r$	-	50	$\Omega$	At $T_o$ °C
8	Frequency Variation with Temperature over $T_{op}$	$\frac{\Delta f}{f}$	-15	+15	$10^{-6}$	From frequency measured at $T_o$ °C
9	Resistance Variation with Temperature over $T_{op}$	$\frac{\Delta R}{R}$	-20 or -2.0	+20 or +2.0	% $\Omega$	From resistance measured at $T_o$ °C
10	Operating Temperature Range	$T_{op}$	-30	+80	°C	
11	Frequency variation with Drive Level	$\frac{\Delta f}{f}$	Not applicable		$10^{-6}$	
12	Resistance variation with Drive Level	$\frac{\Delta R}{R}$	Not applicable		%	
13	Motional Inductance	$L_1$	Not applicable		mH	
14	Motional Capacitance	$C_1$	Not applicable		fF	
15	Static Capacitance	$C_o$	Not applicable		pF	
16	Q Factor	Q	70 000	-	-	
17	Ratio of Unwanted: Response Resistance to Resonance Resistance or Response Impedance to Resonance Resistance	$R_p/R$ or $ Z_p /R$	3:1	-		In the frequency range: $f_r -10\%$ to $f_r +10\%$
18	Ageing	$\frac{\Delta f}{f}$	-3.0	+3.0	$10^{-6}$	
19	Lead Finish	-	2		-	





**TABLE 1(a) - TYPE VARIANT DETAILED INFORMATION**

TYPE VARIANT NO. 83

No.	Characteristics	Symbol	Limits		Unit	Remarks
			Min.	Max.		
1	Resonance Frequency	$f_L$	10.0		MHz	
2	Reference Temperature	$T_0$	+23	+27	°C	
3	Overtone Order	-	Fundamental			
4	Load Capacitance	$C_L$	30		pF	
5	Rated Drive Level	$P_0$	0.1		mW	
6	Frequency Adjustment Tolerance	$\frac{\Delta f}{f}$	-10	+10	$10^{-6}$	At $T_0$ °C
7	Resonance Resistance	$R_L$	-	30	$\Omega$	At $T_0$ °C
8	Frequency Variation with Temperature over $T_{op}$	$\frac{\Delta f}{f}$	-30	+30	$10^{-6}$	From frequency measured at $T_0$ °C
9	Resistance Variation with Temperature over $T_{op}$	$\frac{\Delta R}{R}$	-10 or -1.0	+10 or +1.0	% $\Omega$	From resistance measured at $T_0$ °C If $R \leq 10\Omega$
10	Operating Temperature Range	$T_{op}$	-55	+100	°C	
11	Frequency variation with Drive Level	$\frac{\Delta f}{f}$	Not applicable		$10^{-6}$	
12	Resistance variation with Drive Level	$\frac{\Delta R}{R}$	Not applicable		%	
13	Motional Inductance	$L_1$	Not applicable		mH	
14	Motional Capacitance	$C_1$	Not applicable		fF	
15	Static Capacitance	$C_0$	-	7.0	pF	
16	Q Factor	Q	100 000	-	-	
17	Ratio of Unwanted: Response Resistance to Resonance Resistance or Response Impedance to Resonance Resistance	$R_p/R$ or $ Z_p /R$	2:1	-		In the frequency range: $f_L - 200\text{kHz}$ to $f_L + 200\text{kHz}$
18	Ageing	$\frac{\Delta f}{f}$	-2.0	+2.0	$10^{-6}$	Per year after burn-in at $T_0$
19	Lead Finish	-	2		-	



**TABLE 1(a) - TYPE VARIANT DETAILED INFORMATION**

TYPE VARIANT NO. 84

No.	Characteristics	Symbol	Limits		Unit	Remarks
			Min.	Max.		
1	Resonance Frequency	$f_L$	18.0		MHz	
2	Reference Temperature	$T_0$	+23	+27	°C	
3	Overtone Order	-	Fundamental			
4	Load Capacitance	$C_L$	28	32	pF	
5	Rated Drive Level	$P_0$	0.2		mW	
6	Frequency Adjustment Tolerance	$\frac{\Delta f}{f}$	-5.0	+5.0	$10^{-6}$	At $T_0$ °C
7	Resonance Resistance	$R_L$	-	20	$\Omega$	At $T_0$ °C
8	Frequency Variation with Temperature over $T_{op}$	$\frac{\Delta f}{f}$	(a) -5.0 (b) -8.0	+5.0 +8.0	$10^{-6}$	From frequency measured at $T_0$ °C
9	Resistance Variation with Temperature over $T_{op}$	$\frac{\Delta R}{R}$	-10 -1.5	+10 +1.5	% $\Omega$	From resistance measured at $T_0$ °C If $R < 10\Omega$
10	Operating Temperature Range	$T_{op}$	(a) 0 (b) -10	+60 +70	°C	
11	Frequency variation with Drive Level	$\frac{\Delta f}{f}$	Not applicable		$10^{-6}$	
12	Resistance variation with Drive Level	$\frac{\Delta R}{R}$	Not applicable		%	
13	Motional Inductance	$L_1$	Not applicable		mH	
14	Motional Capacitance	$C_1$	Not applicable		fF	
15	Static Capacitance	$C_0$	-	7.0	pF	
16	Q Factor	Q	70 000	-	-	
17	Ratio of Unwanted: Response Resistance to Resonance Resistance or Response Impedance to Resonance Resistance	$R_p/R$ or $ Z_p /R$	3:1	-		In the frequency range: $f_L -10\%$ to $f_L +10\%$
18	Ageing	$\frac{\Delta f}{f}$	-2.0	+2.0	$10^{-6}$	Per year
19	Lead Finish	-	2		-	



**TABLE 1(a) - TYPE VARIANT DETAILED INFORMATION**

**TYPE VARIANT NO. 85**

No.	Characteristics	Symbol	Limits		Unit	Remarks
			Min.	Max.		
1	Resonance Frequency	$f_r$	25.0		MHz	Swept
2	Reference Temperature	$T_o$	+ 25		°C	
3	Overtone Order	-	3			
4	Load Capacitance	$C_L$	$\infty$		pF	
5	Rated Drive Level	$P_o$	0.1		mW	
6	Frequency Adjustment Tolerance	$\frac{\Delta f}{f}$	-10	+ 10	$10^{-6}$	At $T_o$ °C
7	Resonance Resistance	$R_r$	-	15	$\Omega$	At $T_o$ °C
8	Frequency Variation with Temperature over $T_{op}$	$\frac{\Delta f}{f}$	-10	+ 10	$10^{-6}$	From frequency measured at $T_o$ °C
9	Resistance Variation with Temperature over $T_{op}$	$\frac{\Delta R}{R}$	-20	+ 20	%	From resistance measured at $T_o$ °C
10	Operating Temperature Range	$T_{op}$	-25	+ 75	°C	
11	Frequency variation with Drive Level	$\frac{\Delta f}{f}$	-10	+ 10	$10^{-6}$	From $P_{S1} = 0.05mW$ to $P_{S2} = 0.2mW$
12	Resistance variation with Drive Level	$\frac{\Delta R}{R}$	-10	+ 10	%	From $P_{S1} = 0.05mW$ to $P_{S2} = 0.2mW$
13	Motional Inductance	$L_1$	17	21	mH	
14	Motional Capacitance	$C_1$	Not applicable		fF	
15	Static Capacitance	$C_o$	-	5.0	pF	
16	Q Factor	Q	300 000	-	-	
17	Unwanted Response Resistance	$R_p$	500 1.0 3.5 35.0	- - - -	$\Omega$ k $\Omega$ k $\Omega$ k $\Omega$	In the frequency range: $f_r$ to $f_r + 200kHz$ $f_r + 200$ to $f_r + 300kHz$ $f_r + 300$ to $f_r + 500kHz$ $f_r + 500$ to $f_r + 2000kHz$
18	Ageing	$\frac{\Delta f}{f}$	-10	+ 10	$10^{-6}$	After burn-in and per year
19	Lead Finish	-	2		-	



**TABLE 1(a) - TYPE VARIANT DETAILED INFORMATION**

TYPE VARIANT NO. 86

	Characteristics	Symbol	Limits		Unit	Remarks
			Min.	Max.		
1	Resonance Frequency	$f_r$	3.6864		MHz	
2	Reference Temperature	$T_o$	+25		°C	
3	Overtone Order	-	Fundamental			
4	Load Capacitance	$C_L$	$\infty$		pF	
5	Rated Drive Level	$P_o$	0.1		mW	
6	Frequency Adjustment Tolerance	$\frac{\Delta f}{f}$	-10	+10	$10^{-6}$	At $T_o$ °C
7	Resonance Resistance	$R_r$	-	50	$\Omega$	Over $T_{op}$ °C
8	Frequency Variation with Temperature over $T_{op}$	$\frac{\Delta f}{f}$	-15	+15	$10^{-6}$	From frequency measured at $T_o$ °C
9	Resistance Variation with Temperature over $T_{op}$	$\frac{\Delta R}{R}$	Not applicable		%	
10	Operating Temperature Range	$T_{op}$	-25	+80	°C	
11	Frequency variation with Drive Level	$\frac{\Delta f}{f}$	Not applicable		$10^{-6}$	
12	Resistance variation with Drive Level	$\frac{\Delta R}{R}$	Not applicable		%	
13	Motional Inductance	$L_1$	Not applicable		mH	
14	Motional Capacitance	$C_1$	Not applicable		fF	
15	Static Capacitance	$C_o$	Not applicable		pF	
16	Q Factor	Q	75 000	-	-	
17	Ratio of Unwanted: Response Resistance to Resonance Resistance or Response Impedance to Resonance Resistance	$R_p/R$ or $ Z_p /R$	5:1	-		In the frequency range: $f_r - 10\%$ to $f_r + 10\%$
18	Ageing	$\frac{\Delta f}{f}$	-3.0	+3.0	$10^{-6}$	After burn-in and per year
19	Lead Finish	-	2		-	



**TABLE 1(a) - TYPE VARIANT DETAILED INFORMATION**

TYPE VARIANT NO. 87

No.	Characteristics	Symbol	Limits		Unit	Remarks
			Min.	Max.		
1	Resonance Frequency	$f_L$	5.24288		MHz	
2	Reference Temperature	$T_o$	+ 60		°C	
3	Overtone Order	-	Fundamental			
4	Load Capacitance	$C_L$	22		pF	
5	Rated Drive Level	$P_o$	0.1		mW	
6	Frequency Adjustment Tolerance	$\frac{\Delta f}{f}$	-10	+ 10	$10^{-6}$	At $T_o$ °C
7	Resonance Resistance	$R_L$	-	13	$\Omega$	Over $T_{op}$ °C
8	Frequency Variation with Temperature over $T_{op}$	$\frac{\Delta f}{f}$	-15	+ 15	$10^{-6}$	From frequency measured at $T_o$ °C
9	Resistance Variation with Temperature over $T_{op}$	$\frac{\Delta R}{R}$	Not applicable		%	
10	Operating Temperature Range	$T_{op}$	-20	+ 70	°C	
11	Frequency variation with Drive Level	$\frac{\Delta f}{f}$	Not applicable		$10^{-6}$	
12	Resistance variation with Drive Level	$\frac{\Delta R}{R}$	Not applicable		%	
13	Motional Inductance	$L_1$	Not applicable		mH	
14	Motional Capacitance	$C_1$	Not applicable		fF	
15	Static Capacitance	$C_o$	Not applicable		pF	
16	Q Factor	Q	50 000	-	-	
17	Ratio of Unwanted: Response Resistance to Resonance Resistance or Response Impedance to Resonance Resistance	$R_p/R$ $ Z_p /R$	3:1	-		In the frequency range: $f_L - 200\text{kHz}$ to $f_L + 200\text{kHz}$
18	Ageing	$\frac{\Delta f}{f}$	-3.0	+ 3.0	$10^{-6}$	After burn-in and per year
19	Lead Finish	-	2			



**TABLE 1(a) - TYPE VARIANT DETAILED INFORMATION**

**TYPE VARIANT NO. 88**

No.	Characteristics	Symbol	Limits		Unit	Remarks
			Min.	Max.		
1	Resonance Frequency	$f_L$	12.0		MHz	
2	Reference Temperature	$T_o$	+23	+27	°C	
3	Overtone Order	-	Fundamental			
4	Load Capacitance	$C_L$	28	32	pF	
5	Rated Drive Level	$P_o$	0.2		mW	
6	Frequency Adjustment Tolerance	$\frac{\Delta f}{f}$	-10	+10	$10^{-6}$	At $T_o$ °C
7	Resonance Resistance	$R_L$	-	25	$\Omega$	At $T_o$ °C
8	Frequency Variation with Temperature over $T_{op}$	$\frac{\Delta f}{f}$	-25	+25	$10^{-6}$	From frequency measured at $T_o$ °C
9	Resistance Variation with Temperature over $T_{op}$	$\frac{\Delta R}{R}$	-10 or -1.5	+10 +1.5	% $\Omega$	From resistance measured at $T_o$ °C If $R < 10\Omega$
10	Operating Temperature Range	$T_{op}$	-10	+80	°C	
11	Frequency variation with Drive Level	$\frac{\Delta f}{f}$	Not applicable		$10^{-6}$	
12	Resistance variation with Drive Level	$\frac{\Delta R}{R}$	Not applicable		%	
13	Motional Inductance	$L_1$	Not applicable		mH	
14	Motional Capacitance	$C_1$	Not applicable		fF	
15	Static Capacitance	$C_o$	-	7.0	pF	
16	Q Factor	Q	50 000	-	-	
17	Ratio of Unwanted: Response Resistance to Resonance Resistance or Response Impedance to Resonance Resistance	$R_p/R$ or $ Z_{pl}/R$	3:1	-		In the frequency range: $f_L -10\%$ to $f_L +10\%$
18	Ageing	$\frac{\Delta f}{f}$	-3.0	+3.0	$10^{-6}$	Per year
19	Lead Finish	-	2		-	



**TABLE 1(a) - TYPE VARIANT DETAILED INFORMATION**

**TYPE VARIANT NO. 89**

No.	Characteristics	Symbol	Limits		Unit	Remarks
			Min.	Max.		
1	Resonance Frequency	$f_L$	3.6864		MHz	
2	Reference Temperature	$T_o$	+23	+27	°C	
3	Overtone Order	-	Fundamental			
4	Load Capacitance	$C_L$	28	32	pF	
5	Rated Drive Level	$P_o$	0.2		mW	
6	Frequency Adjustment Tolerance	$\frac{\Delta f}{f}$	-10	+10	$10^{-6}$	At $T_o$ °C
7	Resonance Resistance	$R_L$	-	100	$\Omega$	At $T_o$ °C
8	Frequency Variation with Temperature over $T_{op}$	$\frac{\Delta f}{f}$	-25	+25	$10^{-6}$	From frequency measured at $T_o$ °C
9	Resistance Variation with Temperature over $T_{op}$	$\frac{\Delta R}{R}$	-20	+20	%	From resistance measured at $T_o$ °C
10	Operating Temperature Range	$T_{op}$	-10	+80	°C	
11	Frequency variation with Drive Level	$\frac{\Delta f}{f}$	Not applicable		$10^{-6}$	
12	Resistance variation with Drive Level	$\frac{\Delta R}{R}$	Not applicable		%	
13	Motional Inductance	$L_1$	Not applicable		mH	
14	Motional Capacitance	$C_1$	Not applicable		fF	
15	Static Capacitance	$C_o$	-	7.0	pF	
16	Q Factor	Q	75 000	-	-	
17	Ratio of Unwanted: Response Resistance to Resonance Resistance or Response Impedance to Resonance Resistance	$R_p/R$ or $ Z_p /R$	5:1	-		In the frequency range: $f_L -10\%$ to $f_L +10\%$
18	Ageing	$\frac{\Delta f}{f}$	-3.0	+3.0	$10^{-6}$	Per year
19	Lead Finish	-	2		-	



**TABLE 1(a) - TYPE VARIANT DETAILED INFORMATION**

**TYPE VARIANT NO. 90**

No.	Characteristics	Symbol	Limits		Unit	Remarks
			Min.	Max.		
1	Resonance Frequency	$f_r$	12.136285		MHz	Synthetic swept
2	Reference Temperature	$T_o$	+23	+27	°C	High temperature cured
3	Overtone Order	-	Fundamental			AT cut
4	Load Capacitance	$C_L$	$\infty$		pF	
5	Rated Drive Level	$P_o$	0.1		mW	
6	Frequency Adjustment Tolerance	$\frac{\Delta f}{f}$	-5.0	+5.0	$10^{-6}$	At $T_o$ °C
7	Resonance Resistance	$R_r$	-	20	$\Omega$	At $T_o$ °C
8	Frequency Variation with Temperature over $T_{op}$	$\frac{\Delta f}{f}$	-10	+10	$10^{-6}$	From frequency measured at $T_o$ °C measured each 2.5°C
9	Resistance Variation with Temperature over $T_{op}$	$\frac{\Delta R}{R}$	-10 or -1.5	+10 +1.5	% $\Omega$	From resistance measured at $T_o$ °C If $R < 10\Omega$
10	Operating Temperature Range	$T_{op}$	-30	+65	°C	
11	Frequency variation with Drive Level	$\frac{\Delta f}{f}$	-5.0	+5.0	$10^{-6}$	From $P_{s1} = 0.05mW$ to $P_{s2} = 0.1mW$
12	Resistance variation with Drive Level	$\frac{\Delta R}{R}$	Not applicable		%	
13	Motional Inductance	$L_1$	Not applicable		mH	
14	Motional Capacitance	$C_1$	Not applicable		fF	
15	Static Capacitance	$C_o$	Not applicable		pF	
16	Q Factor	Q	150 000	-	-	
17	Ratio of Unwanted: Response Resistance to Resonance Resistance or Response Impedance to Resonance Resistance	$R_p/R$ or $ Z_p /R$	5:1	-		In the frequency range: $f_r -10\%$ to $f_r +10\%$
18	Ageing	$\frac{\Delta f}{f}$	-10	+10	$10^{-6}$	Over 10 years after burn-in
19	Lead Finish	-	2		-	





**TABLE 1(a) - TYPE VARIANT DETAILED INFORMATION**

**TYPE VARIANT NO. 91**

No.	Characteristics	Symbol	Limits		Unit	Remarks
			Min.	Max.		
1	Resonance Frequency	$f_L$	18.0		MHz	
2	Reference Temperature	$T_o$	+38	+42	°C	
3	Overtone Order	-	Fundamental			
4	Load Capacitance	$C_L$	50		pF	
5	Rated Drive Level	$P_o$	0.1		mW	
6	Frequency Adjustment Tolerance	$\frac{\Delta f}{f}$	-10	+10	$10^{-6}$	At $T_o$ °C
7	Resonance Resistance	$R_L$	-	20	$\Omega$	At $T_o$ °C
8	Frequency Variation with Temperature over $T_{op}$	$\frac{\Delta f}{f}$	-15	+15	$10^{-6}$	From frequency measured at $T_o$ °C
9	Resistance Variation with Temperature over $T_{op}$	$\frac{\Delta R}{R}$	-10	+10	%	From resistance measured at $T_o$ °C If $R < 10\Omega$
			-1.5	+1.5	$\Omega$	
10	Operating Temperature Range	$T_{op}$	-20	+80	°C	
11	Frequency variation with Drive Level	$\frac{\Delta f}{f}$	Not applicable		$10^{-6}$	
12	Resistance variation with Drive Level	$\frac{\Delta R}{R}$	Not applicable		%	
13	Motional Inductance	$L_1$	Not applicable		mH	
14	Motional Capacitance	$C_1$	Not applicable		fF	
15	Static Capacitance	$C_o$	-	7.0	pF	
16	Q Factor	Q	75 000	-	-	
17	Ratio of Unwanted: Response Resistance to Resonance Resistance or Response Impedance to Resonance Resistance	$R_p/R$ or $ Z_p /R$	2:1	-		In the frequency range: $f_L - 200\text{kHz}$ to $f_L + 200\text{kHz}$
18	Ageing	$\frac{\Delta f}{f}$	-3.0	+3.0	$10^{-6}$	After burn-in and per year
19	Lead Finish	-	2		-	



**TABLE 1(a) - TYPE VARIANT DETAILED INFORMATION**

**TYPE VARIANT NO. 92**

No.	Characteristics	Symbol	Limits		Unit	Remarks
			Min.	Max.		
1	Resonance Frequency	$f_r$	8.388608		MHz	
2	Reference Temperature	$T_o$	+23	+27	°C	
3	Overtone Order	-	Fundamental			
4	Load Capacitance	$C_L$	$\infty$		pF	
5	Rated Drive Level	$P_o$	0.1		mW	
6	Frequency Adjustment Tolerance	$\frac{\Delta f}{f}$	-5.0	+5.0	$10^{-6}$	At $T_o$ °C
7	Resonance Resistance	$R_r$	-	20	$\Omega$	At $T_o$ °C
8	Frequency Variation with Temperature over $T_{op}$	$\frac{\Delta f}{f}$	(a) -12 (b) -20	+20 +12	$10^{-6}$	From frequency measured at $T_o$ °C
9	Resistance Variation with Temperature over $T_{op}$	$\frac{\Delta R}{R}$	-10 or -2.0	+10 or +2.0	% $\Omega$	From resistance measured at $T_o$ °C
10	Operating Temperature Range	$T_{op}$	(a) -30 (b) -40	+75 +30	°C	
11	Frequency variation with Drive Level	$\frac{\Delta f}{f}$	-5.0	+5.0	$10^{-6}$	From $P_{s1} = 0.05mW$ to $P_{s2} = 0.1mW$
12	Resistance variation with Drive Level	$\frac{\Delta R}{R}$	Not applicable		%	
13	Motional Inductance	$L_1$	Not applicable		mH	
14	Motional Capacitance	$C_1$	Not applicable		fF	
15	Static Capacitance	$C_o$	Not applicable		pF	
16	Q Factor	Q	130 000	-	-	
17	Ratio of Unwanted: Response Resistance to Resonance Resistance or Response Impedance to Resonance Resistance	$R_p/R$ or $ Z_p /R$	5:1	-		In the frequency range: $f_r - 200kHz$ to $f_r + 200kHz$
18	Ageing	$\frac{\Delta f}{f}$	-3.0	+3.0	$10^{-6}$	After burn-in, per year
19	Lead Finish	-	2			



**TABLE 1(a) - TYPE VARIANT DETAILED INFORMATION**

TYPE VARIANT NO. 93

No.	Characteristics	Symbol	Limits		Unit	Remarks
			Min.	Max.		
1	Resonance Frequency	$f_L$	10.0		MHz	
2	Reference Temperature	$T_o$	+36	+44	°C	
3	Overtone Order	-	Fundamental			
4	Load Capacitance	$C_L$	28	32	pF	
5	Rated Drive Level	$P_o$	0.1		mW	
6	Frequency Adjustment Tolerance	$\frac{\Delta f}{f}$	-10	+10	$10^{-6}$	At $T_o$ °C
7	Resonance Resistance	$R_L$	-	15	$\Omega$	At $T_o$ °C
8	Frequency Variation with Temperature over $T_{op}$	$\frac{\Delta f}{f}$	-30	+30	$10^{-6}$	From frequency measured at $T_o$ °C
9	Resistance Variation with Temperature over $T_{op}$	$\frac{\Delta R}{R}$	-10 -1.5	+10 +1.5	% $\Omega$	From resistance measured at $T_o$ °C If $R < 10\Omega$
10	Operating Temperature Range	$T_{op}$	-20	+90	°C	
11	Frequency variation with Drive Level	$\frac{\Delta f}{f}$	Not applicable		$10^{-6}$	
12	Resistance variation with Drive Level	$\frac{\Delta R}{R}$	Not applicable		%	
13	Motional Inductance	$L_1$	2.8	-	mH	
14	Motional Capacitance	$C_1$	Not applicable		fF	
15	Static Capacitance	$C_o$	-	7.0	pF	
16	Q Factor	Q	Not applicable		-	
17	Ratio of Unwanted: Response Resistance to Resonance Resistance or Response Impedance to Resonance Resistance	$R_p/R$ or $ Z_{pl}/R$	2:1	-		In the frequency range: $f_L - 50\text{kHz}$ to $f_L + 50\text{kHz}$
18	Ageing	$\frac{\Delta f}{f}$	-3.0	+3.0	$10^{-6}$	Per year after burn-in
19	Lead Finish	-	2			



**TABLE 1(a) - TYPE VARIANT DETAILED INFORMATION**

TYPE VARIANT NO. 94

No.	Characteristics	Symbol	Limits		Unit	Remarks
			Min.	Max.		
1	Resonance Frequency	$f_L$	6.0		MHz	
2	Reference Temperature	$T_0$	+23	+27	°C	
3	Overtone Order	-	Fundamental			
4	Load Capacitance	$C_L$	30		pF	
5	Rated Drive Level	$P_0$	0.1		mW	
6	Frequency Adjustment Tolerance	$\frac{\Delta f}{f}$	-10	+10	$10^{-6}$	At $T_0$ °C
7	Resonance Resistance	$R_L$	-	50	$\Omega$	At $T_0$ °C
8	Frequency Variation with Temperature over $T_{op}$	$\frac{\Delta f}{f}$	-15	+15	$10^{-6}$	From frequency measured at $T_0$ °C
9	Resistance Variation with Temperature over $T_{op}$	$\frac{\Delta R}{R}$	-20 or -2.0	+20 or +2.0	% $\Omega$	From resistance measured at $T_0$ °C
10	Operating Temperature Range	$T_{op}$	-45	+75	°C	
11	Frequency variation with Drive Level	$\frac{\Delta f}{f}$	Not applicable		$10^{-6}$	
12	Resistance variation with Drive Level	$\frac{\Delta R}{R}$	Not applicable		%	
13	Motional Inductance	$L_1$	Not applicable		mH	
14	Motional Capacitance	$C_1$	Not applicable		fF	
15	Static Capacitance	$C_0$	Not applicable		pF	
16	Q Factor	Q	200 000	-	-	
17	Ratio of Unwanted: Response Resistance to Resonance Resistance or Response Impedance to Resonance Resistance	$R_p/R$ or $ Z_{pl}/R$	2:1	-		In the frequency range: $f_L -50kHz$ to $f_L +50kHz$
18	Ageing	$\frac{\Delta f}{f}$	-3.0	+3.0	$10^{-6}$	Per year after burn-in
19	Lead Finish	-	2		-	



**TABLE 1(a) - TYPE VARIANT DETAILED INFORMATION**

TYPE VARIANT NO. 95

No.	Characteristics	Symbol	Limits		Unit	Remarks
			Min.	Max.		
1	Resonance Frequency	$f_L$	12.5		MHz	
2	Reference Temperature	$T_o$	+23	+27	°C	
3	Overtone Order	-	Fundamental			
4	Load Capacitance	$C_L$	30		pF	
5	Rated Drive Level	$P_o$	0.1		mW	
6	Frequency Adjustment Tolerance	$\frac{\Delta f}{f}$	-20	+20	$10^{-6}$	At $T_o$ °C
7	Resonance Resistance	$R_L$	-	30	$\Omega$	At $T_o$ °C
8	Frequency Variation with Temperature over $T_{op}$	$\frac{\Delta f}{f}$	-30	+30	$10^{-6}$	From frequency measured at $T_o$ °C
9	Resistance Variation with Temperature over $T_{op}$	$\frac{\Delta R}{R}$	-20 or -2.0	+20 or +2.0	% $\Omega$	From resistance measured at $T_o$ °C
10	Operating Temperature Range	$T_{op}$	-40	+85	°C	
11	Frequency variation with Drive Level	$\frac{\Delta f}{f}$	Not applicable		$10^{-6}$	
12	Resistance variation with Drive Level	$\frac{\Delta R}{R}$	Not applicable		%	
13	Motional Inductance	$L_1$	Not applicable		mH	
14	Motional Capacitance	$C_1$	Not applicable		fF	
15	Static Capacitance	$C_o$	Not applicable		pF	
16	Q Factor	Q	Not applicable		-	
17	Ratio of Unwanted: Response Resistance to Resonance Resistance or Response Impedance to Resonance Resistance	$R_p/R$ or $ Z_p /R$	2:1	-		In the frequency range: $f_L$ -50kHz to $f_L$ +50kHz
18	Ageing	$\frac{\Delta f}{f}$	-10	+10	$10^{-6}$	5 years after burn-in
19	Lead Finish	-	2			



**TABLE 1(a) - TYPE VARIANT DETAILED INFORMATION**

**TYPE VARIANT NO. 96**

No.	Characteristics	Symbol	Limits		Unit	Remarks
			Min.	Max.		
1	Resonance Frequency	$f_L$	11.059		MHz	
2	Reference Temperature	$T_o$	+23	+27	°C	
3	Overtone Order	-	Fundamental			
4	Load Capacitance	$C_L$	50		pF	
5	Rated Drive Level	$P_o$	0.1		mW	
6	Frequency Adjustment Tolerance	$\frac{\Delta f}{f}$	-10	+10	$10^{-6}$	At $T_o$ °C
7	Resonance Resistance	$R_L$	-	20	$\Omega$	Over $T_{op}$ °C
8	Frequency Variation with Temperature over $T_{op}$	$\frac{\Delta f}{f}$	-15	+15	$10^{-6}$	From frequency measured at $T_o$ °C
9	Resistance Variation with Temperature over $T_{op}$	$\frac{\Delta R}{R}$	Not applicable		%	
10	Operating Temperature Range	$T_{op}$	-35	+70	°C	
11	Frequency variation with Drive Level	$\frac{\Delta f}{f}$	Not applicable		$10^{-6}$	
12	Resistance variation with Drive Level	$\frac{\Delta R}{R}$	Not applicable		%	
13	Motional Inductance	$L_1$	Not applicable		mH	
14	Motional Capacitance	$C_1$	Not applicable		fF	
15	Static Capacitance	$C_o$	-	7.0	pF	
16	Q Factor	Q	100 000	-	-	
17	Ratio of Unwanted: Response Resistance to Resonance Resistance or Response Impedance to Resonance Resistance	$R_p/R$ or $ Z_p /R$	2:1	-		In the frequency range: $f_L$ -200kHz to $f_L$ +200kHz
18	Ageing	$\frac{\Delta f}{f}$	-5.0	+5.0	$10^{-6}$	Per year after burn-in
19	Lead Finish	-	2		-	



**TABLE 1(a) - TYPE VARIANT DETAILED INFORMATION**

TYPE VARIANT NO. 97

No.	Characteristics	Symbol	Limits		Unit	Remarks
			Min.	Max.		
1	Resonance Frequency	$f_L$	7.3728		MHz	
2	Reference Temperature	$T_0$	+23	+27	°C	
3	Overtone Order	-	Fundamental			
4	Load Capacitance	$C_L$	30		pF	
5	Rated Drive Level	$P_0$	0.1		mW	
6	Frequency Adjustment Tolerance	$\frac{\Delta f}{f}$	-10	+10	$10^{-6}$	At $T_0$ °C
7	Resonance Resistance	$R_L$	-	30	$\Omega$	At $T_0$ °C
8	Frequency Variation with Temperature over $T_{op}$	$\frac{\Delta f}{f}$	-15	+15	$10^{-6}$	From frequency measured at $T_0$ °C
9	Resistance Variation with Temperature over $T_{op}$	$\frac{\Delta R}{R}$	-10	+10	%	From resistance measured at $T_0$ °C If $R < 10\Omega$
			-1.5	+1.5	$\Omega$	
10	Operating Temperature Range	$T_{op}$	-30	+80	°C	
11	Frequency variation with Drive Level	$\frac{\Delta f}{f}$	Not applicable		$10^{-6}$	
12	Resistance variation with Drive Level	$\frac{\Delta R}{R}$	Not applicable		%	
13	Motional Inductance	$L_1$	Not applicable		mH	
14	Motional Capacitance	$C_1$	Not applicable		fF	
15	Static Capacitance	$C_0$	-	7.0	pF	
16	Q Factor	Q	80 000	-	-	
17	Ratio of Unwanted: Response Resistance to Resonance Resistance or Response Impedance to Resonance Resistance	$R_p/R$ or $ Z_p /R$	2:1	-		In the frequency range: $f_L - 200\text{kHz}$ to $f_L + 200\text{kHz}$
18	Ageing	$\frac{\Delta f}{f}$	-3.0	+3.0	$10^{-6}$	Per year after burn-in
19	Lead Finish	-	2			



**TABLE 1(a) - TYPE VARIANT DETAILED INFORMATION**

**TYPE VARIANT NO. 98**

No.	Characteristics	Symbol	Limits		Unit	Remarks
			Min.	Max.		
1	Resonance Frequency	$f_L$	5.12		MHz	
2	Reference Temperature	$T_o$	+38	+42	°C	
3	Overtone Order	-	Fundamental			
4	Load Capacitance	$C_L$	30		pF	
5	Rated Drive Level	$P_o$	0.1		mW	
6	Frequency Adjustment Tolerance	$\frac{\Delta f}{f}$	-10	+10	$10^{-6}$	At $T_o$ °C
7	Resonance Resistance	$R_L$	0	30	$\Omega$	At $T_o$ °C
8	Frequency Variation with Temperature over $T_{op}$	$\frac{\Delta f}{f}$	-15	+15	$10^{-6}$	From frequency measured at $T_o$ °C
9	Resistance Variation with Temperature over $T_{op}$	$\frac{\Delta R}{R}$	-10 or -1.5	+10 or +1.5	% $\Omega$	From resistance measured at $T_o$ °C If $R < 10\Omega$
10	Operating Temperature Range	$T_{op}$	-40	+80	°C	
11	Frequency variation with Drive Level	$\frac{\Delta f}{f}$	Not applicable		$10^{-6}$	
12	Resistance variation with Drive Level	$\frac{\Delta R}{R}$	Not applicable		%	
13	Motional Inductance	$L_1$	Not applicable		mH	
14	Motional Capacitance	$C_1$	Not applicable		fF	
15	Static Capacitance	$C_o$	-	7.0	pF	
16	Q Factor	Q	100 000	-	-	
17	Ratio of Unwanted: Response Resistance to Resonance Resistance or Response Impedance to Resonance Resistance	$R_p/R$ or $ Z_p /R$	2:1	-		In the frequency range: $f_L - 200\text{kHz}$ to $f_L + 200\text{kHz}$
18	Ageing	$\frac{\Delta f}{f}$	-3.0	+3.0	$10^{-6}$	Per year after burn-in
19	Lead Finish	-	2		-	





**TABLE 1(a) - TYPE VARIANT DETAILED INFORMATION**

TYPE VARIANT NO. 99

No.	Characteristics	Symbol	Limits		Unit	Remarks
			Min.	Max.		
1	Resonance Frequency	$f_L$	10.0		MHz	
2	Reference Temperature	$T_o$	+ 65	+ 78	°C	Turn point
3	Overtone Order	-	3			SC cut
4	Load Capacitance	$C_L$	18	32	pF	
5	Rated Drive Level	$P_o$	0.1		mW	
6	Frequency Adjustment Tolerance	$\frac{\Delta f}{f}$	Not applicable		$10^{-6}$	
7	Resonance Resistance	$R_L$	-	90	$\Omega$	Over $T_{op}$ °C
8	Frequency Variation with Temperature over $T_{op}$	$\frac{\Delta f}{f}$	-15	+ 15	$10^{-6}$	From frequency measured at $T_o$ °C
9	Resistance Variation with Temperature over $T_{op}$	$\frac{\Delta R}{R}$	Not applicable		%	From resistance measured at $T_o$ °C
10	Operating Temperature Range	$T_{op}$	-25	+ 80	°C	
11	Frequency variation with Drive Level	$\frac{\Delta f}{f}$	Not applicable		$10^{-6}$	
12	Resistance variation with Drive Level	$\frac{\Delta R}{R}$	Not applicable		%	
13	Motional Inductance	$L_1$	Not applicable		mH	
14	Motional Capacitance	$C_1$	Not applicable		fF	
15	Static Capacitance	$C_o$	-	7.0	pF	
16	Q Factor	Q	800 000	-	-	
17	Ratio of Unwanted: Response Resistance to Resonance Resistance or Response Impedance to Resonance Resistance	$R_p/R$ or $ Z_p /R$	Not applicable			
18	Ageing	$\frac{\Delta f}{f}$	-0.5	+ 0.5	$10^{-6}$	Per year after burn-in
19	Lead Finish	-	2		-	