



europaean space agency
agence spatiale européenne

Pages 1 to 27

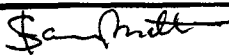

RELAYS, ELECTROMAGNETIC, LATCHING

28Vdc, 1A, 2PDT, 1/6 CRYSTAL CAN

ESA/SCC Detail Specification No. 3602/019



**space components
coordination group**

Issue/Rev.	Date	Approved by	
		SCCG Chairman	ESA Director General or his Deputy
Issue 3	January 2001		



DOCUMENTATION CHANGE NOTICE

Rev. Letter	Rev. Date	Reference	CHANGE Item	Approved DCR No.
		This Issue supersedes Issue 6 and incorporates all modifications defined in Revisions 'A', 'B' and 'C' to Issue 6 and the changes agreed in the following DCRs:-		
		Cover page DCN	: Title amended	221599 None
		Para. 1.1	: 2nd line text amended	221599
		Table 1(b)	: No. 1, Symbol amended and Note 3 added	221599
			: No. 2, Characteristics, Symbol and Maximum Rating amended	221599
			: New Note 3 added	221599

**TABLE OF CONTENTS**

	<u>Page</u>
1. <u>GENERAL</u>	5
1.1 Scope	5
1.2 Component Type Variants	5
1.3 Maximum Ratings	5
1.4 Parameter Derating Information	5
1.5 Physical Dimensions	5
1.6 Circuit Schematic	5
2. <u>APPLICABLE DOCUMENTS</u>	5
3. <u>TERMS, DEFINITIONS, ABBREVIATIONS, SYMBOLS AND UNITS</u>	5
4. <u>REQUIREMENTS</u>	19
4.1 General	19
4.2 Deviations from Generic Specification	19
4.2.1 Deviations from Special In-process Controls	19
4.2.2 Deviations from Final Production Tests	19
4.2.3 Deviations from Screening Tests	19
4.2.4 Deviations from Qualification Tests	19
4.2.5 Deviations from Lot Acceptance Tests	19
4.3 Mechanical Requirements	19
4.3.1 Dimension Check	19
4.3.2 Weight	19
4.3.3 Terminal Strength	20
4.4 Materials and Finishes	20
4.4.1 Case	20
4.4.2 Terminal Material and Finish	20
4.5 Marking	20
4.5.1 General	20
4.5.2 Terminal Identification	20
4.5.3 The SCC Component Number	21
4.5.4 Electrical Characteristics	21
4.5.5 Traceability Information	21
4.6 Electrical Measurements	21
4.6.1 Electrical Measurements at Room Temperature	21
4.6.2 Electrical Measurements at High and Low Temperatures	21
4.6.3 Circuits for Electrical Measurements	21
4.7 Screening	21
4.7.1 Miss Test	21
4.7.2 Conditions for Screening	21
4.7.3 Electrical Circuits for Screening	21
4.8 Environmental and Endurance Tests	25
4.8.1 Measurements and Inspections on Completion of Environmental Tests	25
4.8.2 Measurements and Inspections during Endurance Tests	25
4.8.3 Measurements and Inspections on Completion of Endurance Tests	25
4.8.4 Conditions for Operating Life Tests	25
4.8.5 Electrical Circuits for Operating Life Tests	25

**TABLES**

	<u>Page</u>
1(a) Type Variants	6
1(b) Maximum Ratings	6
2 Electrical Measurements at Room Temperature	22
3 Electrical Measurements at High and Low Temperatures	23
4 Parameter Drift Values	24
5(a) Conditions for Screening	24
5(b) Conditions for Operating Life Test	24
6 Measurements and Inspections on Completion of Environmental Tests and at Intermediate Points during and on Completion of Endurance Testing	26

FIGURES

1 Not applicable	N/A
2 Physical Dimensions	7
3 Circuit Schematic	18
4 Circuits for Electrical Measurements	24
5(a) Electrical Circuits for Screening	24
5(b) Electrical Circuits for Operating Life Test	24

APPENDICES (Applicable to specific Manufacturers only)

None

**1. GENERAL****1.1 SCOPE**

This specification details the ratings, physical and electrical characteristics, test and inspection data for a Relay, Electromagnetic, Latching, 28Vdc, 1A, 2PDT, in a 1/6 crystal can. It shall be read in conjunction with ESA/SCC Generic Specification No. 3602, the requirements of which are supplemented herein.

1.2 COMPONENT TYPE VARIANTS

Variants of the basic type relays specified herein, which are also covered by this specification, are given in Table 1(a).

1.3 MAXIMUM RATINGS

The maximum ratings, which shall not be exceeded at any time during use or storage, applicable to the relays specified herein, are as scheduled in Table 1(b).

1.4 PARAMETER DERATING INFORMATION (FIGURE 1)

Not applicable.

1.5 PHYSICAL DIMENSIONS

The physical dimensions of the relays specified herein are shown in Figure 2.

1.6 CIRCUIT SCHEMATIC

The circuit schematic, showing lead identification etc. for the relays specified herein, is shown in Figure 3.

2. APPLICABLE DOCUMENTS

The following documents form part of this specification and shall be read in conjunction with it:-

- (a) ESA/SCC Generic Specification No. 3602 for Relays, Electromagnetic, Latching.
- (b) MIL-STD-202, Test Methods for Electronic and Electrical Component Parts.

3. TERMS, DEFINITIONS, ABBREVIATIONS, SYMBOLS AND UNITS

For the purpose of this specification, the terms, definitions, abbreviations, symbols and units specified in ESA/SCC Basic Specification No. 21300 shall apply.

**TABLE 1(a) - TYPE VARIANTS**

VARIANT	DESCRIPTION	FIGURE
01	Relay with Plug-in Terminals and Plain Case	2(a)
02	Relay with Lead Terminals and Plain Case	2(b)
03	Relay with Solderable, Hook-end Terminals and Plain Case	2(c)
04	Relay with Plug-in Terminals and Horizontal Shoulder Brackets	2(d)
05	Relay with Lead Terminals and Horizontal Shoulder Brackets	2(e)
06	Relay with Solderable, Hook-end Terminals and Horizontal Shoulder Brackets	2(f)
07	Relay with Plug-in Terminals and Flush Horizontal Shoulder Brackets	2(g)
08	Relay with Lead Terminals and Flush Horizontal Shoulder Brackets	2(h)
09	Relay with Solderable, Hook-end Terminals and Flush Horizontal Shoulder Brackets	2(i)
10	Relay with Lead Terminals and Vertical Shoulder Brackets	2(j)
11	Relay with Solderable, Hook-end Terminals and Vertical Shoulder Brackets	2(k)

TABLE 1(b) - MAXIMUM RATINGS

No.	CHARACTERISTICS	SYMBOL	MAXIMUM RATING	UNIT	REMARKS
1	Rated Coil Voltage:- 26V 12V 6V	V_{CR}	26.5 12 6.0	Vdc	Note 3
2	Coil Voltage Range:- 26V 12V 6V	V_{CR}	25 to 32 11 to 15 5.5 to 7.5	Vdc	
3	Rated Contact Current Resistive Load	I_{CR}	1.0	A	28Vdc resistive Note 1
4	Overload Current Resistive	I_{overl}	2.0	A	28Vdc resistive
5	Rated Contact Current Inductive Load	I_{CL}	0.2	A	28Vdc inductive 0.32 Henry Note 1
6	Contact Resistance	R_C	50	m Ω	
7	High Temperature	T_{amb}	+ 125	$^{\circ}C$	
8	Low Temperature	T_{amb}	- 65	$^{\circ}C$	
9	Soldering Temperature	T_{sol}	+ 260	$^{\circ}C$	Note 2

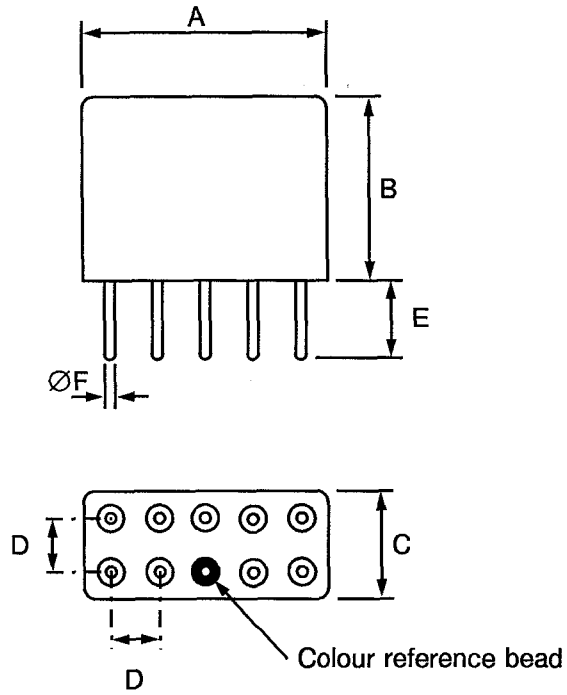
NOTES

- Relays should not be used in change-over mode where the potential difference between stationary contacts is greater than 10V and the switched current is greater than 0.1A.
- Duration 10 seconds maximum at a distance of not less than 1.5mm from the device body and the same terminal shall not be resoldered until 3 minutes have elapsed.
- The Coil Voltage rise time shall be less than $0.1t_L$ or t_r . The coil voltage shall be applied for a minimum time of $10t_L$ or $10t_r$.



FIGURE 2 - PHYSICAL DIMENSIONS

FIGURE 2(a) - VARIANT 01, RELAY WITH PLUG-IN TERMINALS AND PLAIN CASE

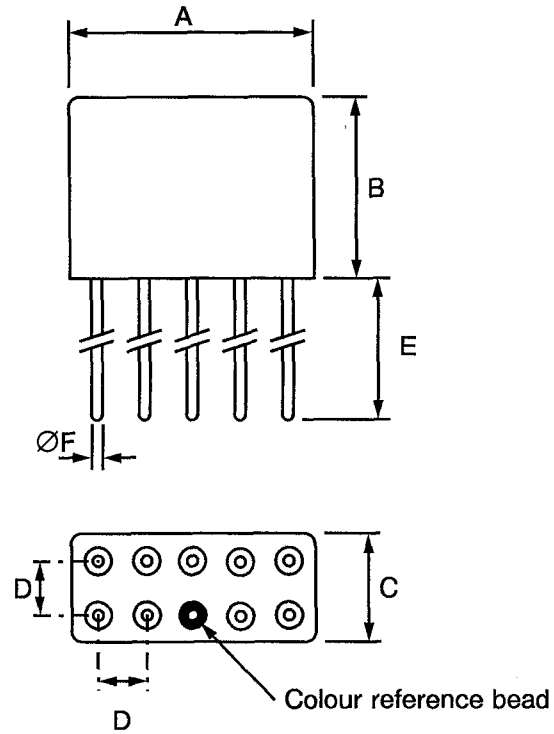


SYMBOL	MILLIMETRES	
	MIN.	MAX.
A	-	13.00
B	-	10.40
C	-	6.10
D	2.52	2.56
E	4.40	5.20
ØF	0.45	0.55



FIGURE 2 - PHYSICAL DIMENSIONS (CONTINUED)

FIGURE 2(b) - VARIANT 02, RELAY WITH LEAD TERMINALS AND PLAIN CASE

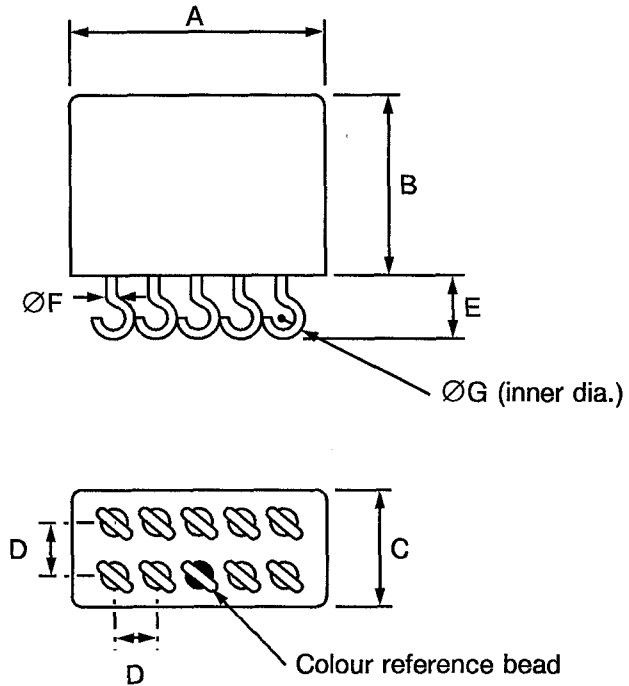


SYMBOL	MILLIMETRES	
	MIN.	MAX.
A	-	13.00
B	-	10.40
C	-	6.10
D	2.52	2.56
E	37.00	39.00
ØF	0.45	0.55



FIGURE 2 - PHYSICAL DIMENSIONS (CONTINUED)

FIGURE 2(c) - VARIANT 03, RELAY WITH SOLDERABLE, HOOK-END TERMINALS AND PLAIN CASE

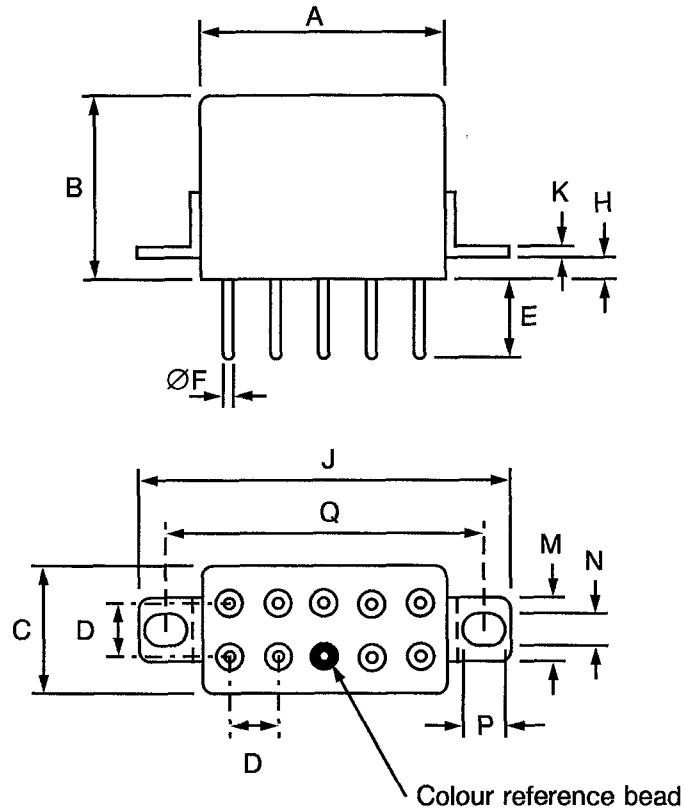


SYMBOL	MILLIMETRES	
	MIN.	MAX.
A	-	13.00
B	-	10.40
C	-	6.10
D	2.52	2.56
E	3.00	3.90
ØF	0.45	0.55
ØG	-	0.90



FIGURE 2 - PHYSICAL DIMENSIONS (CONTINUED)

FIGURE 2(d) - VARIANT 04, RELAY WITH PLUG-IN TERMINALS AND HORIZONTAL SHOULDER BRACKETS

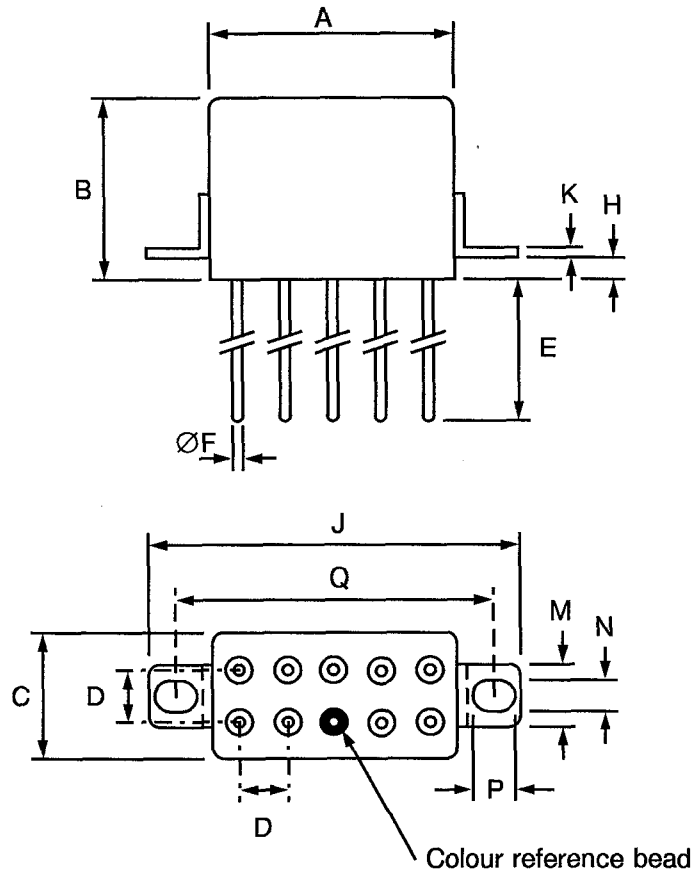


SYMBOL	MILLIMETRES	
	MIN.	MAX.
A	-	13.00
B	-	10.40
C	-	6.10
D	2.52	2.56
E	4.40	5.20
ØF	0.45	0.55
H	2.80	3.60
J	-	22.85
K	0.35	0.45
M	4.50	4.90
N	2.15	2.65
P	3.10	3.30
Q	17.35	18.35



FIGURE 2 - PHYSICAL DIMENSIONS (CONTINUED)

FIGURE 2(e) - VARIANT 05, RELAY WITH LEAD TERMINALS AND HORIZONTAL SHOULDER BRACKETS

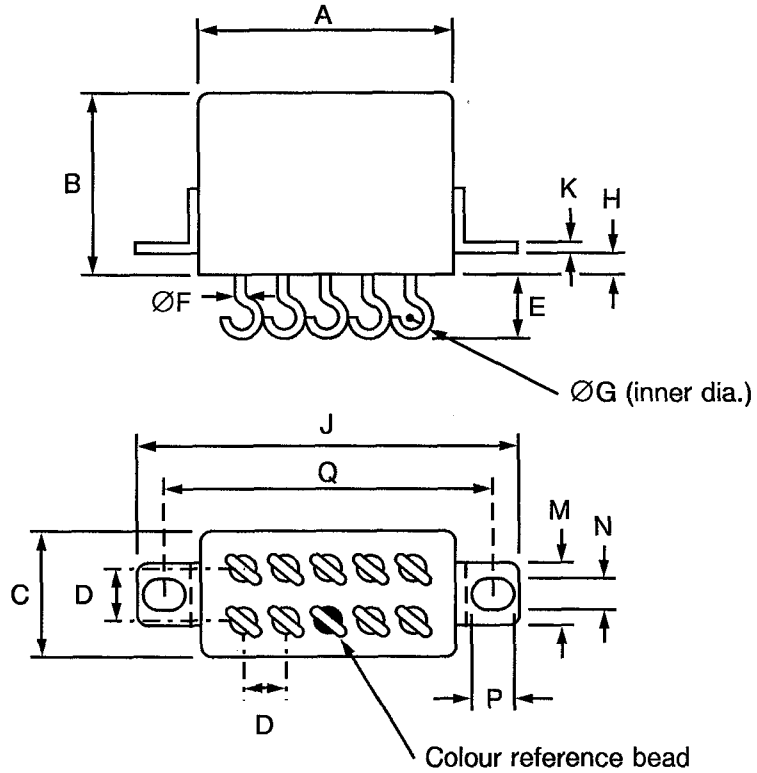


SYMBOL	MILLIMETRES	
	MIN.	MAX.
A	-	13.00
B	-	10.40
C	-	6.10
D	2.52	2.56
E	37.00	39.00
ØF	0.45	0.55
H	2.80	3.60
J	-	22.85
K	0.35	0.45
M	4.50	4.90
N	2.15	2.65
P	3.10	3.30
Q	17.35	18.35



FIGURE 2 - PHYSICAL DIMENSIONS (CONTINUED)

FIGURE 2(f) - VARIANT 06, RELAY WITH SOLDERABLE, HOOK-END TERMINALS AND HORIZONTAL SHOULDER BRACKETS

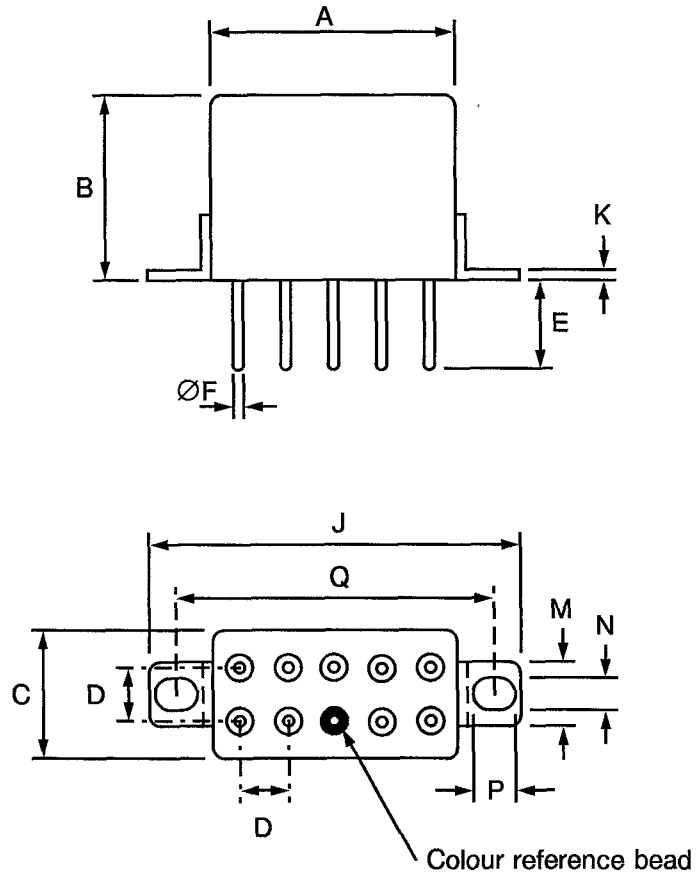


SYMBOL	MILLIMETRES	
	MIN.	MAX.
A	-	13.00
B	-	10.40
C	-	6.10
D	2.52	2.56
E	3.00	3.90
ØF	0.45	0.55
ØG	-	0.90
H	2.80	3.60
J	-	22.85
K	0.35	0.45
M	4.50	4.90
N	2.15	2.65
P	3.10	3.30
Q	17.35	18.35



FIGURE 2 - PHYSICAL DIMENSIONS (CONTINUED)

FIGURE 2(g) - VARIANT 07, RELAY WITH PLUG-IN TERMINALS AND FLUSH HORIZONTAL SHOULDER BRACKETS

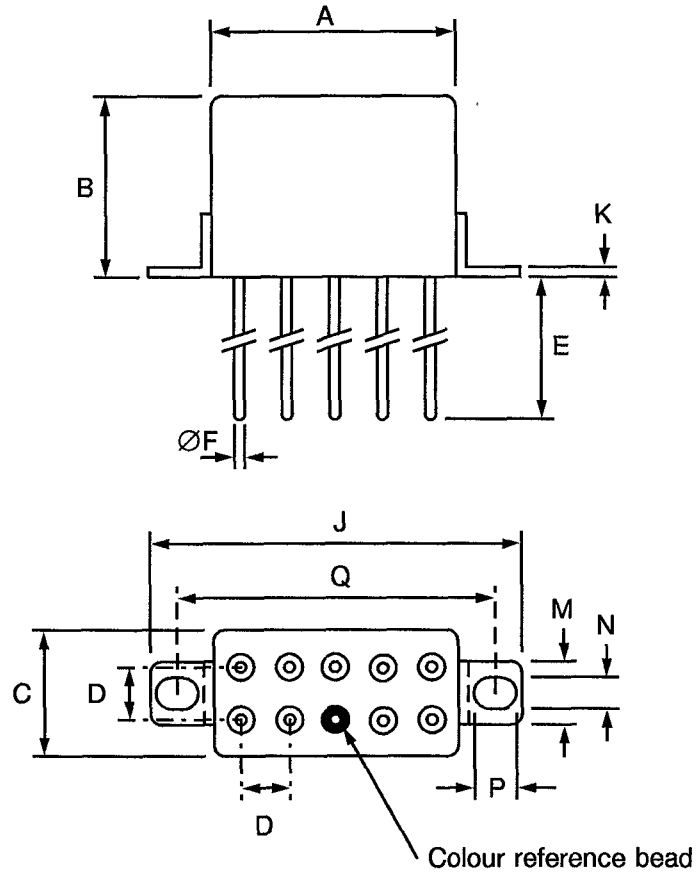


SYMBOL	MILLIMETRES	
	MIN.	MAX.
A	-	13.00
B	-	10.40
C	-	6.10
D	2.52	2.56
E	4.40	5.20
ØF	0.45	0.55
J	-	22.85
K	0.35	0.45
M	4.50	4.90
N	2.15	2.65
P	3.10	3.30
Q	17.35	18.35



FIGURE 2 - PHYSICAL DIMENSIONS (CONTINUED)

FIGURE 2(h) - VARIANT 08, RELAY WITH LEAD TERMINALS AND FLUSH HORIZONTAL SHOULDER BRACKETS

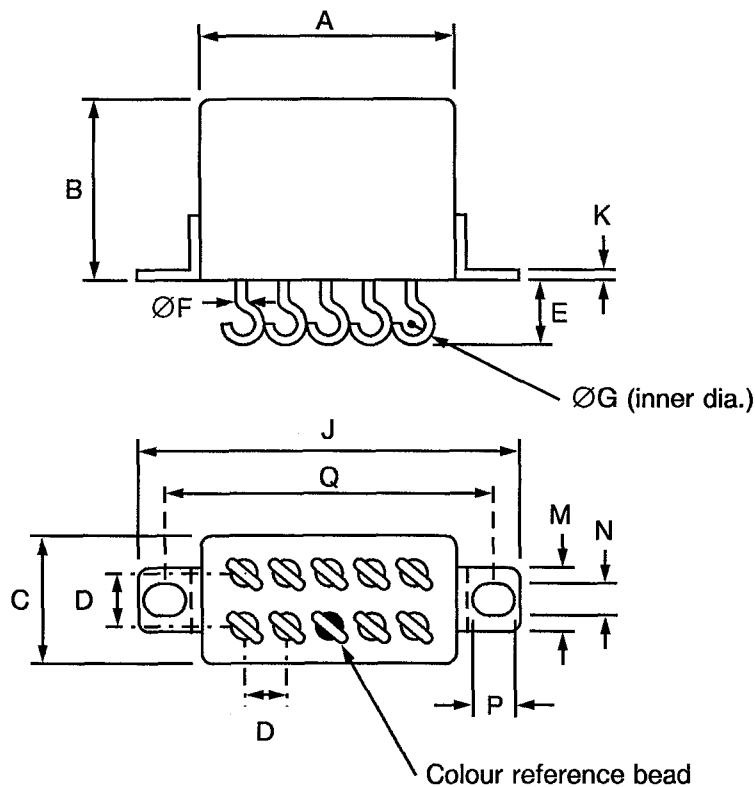


SYMBOL	MILLIMETRES	
	MIN.	MAX.
A	-	13.00
B	-	10.40
C	-	6.10
D	2.52	2.56
E	37.00	39.00
ØF	0.45	0.55
J	-	22.85
K	0.35	0.45
M	4.50	4.90
N	2.15	2.65
P	3.10	3.30
Q	17.35	18.35



FIGURE 2 - PHYSICAL DIMENSIONS (CONTINUED)

FIGURE 2(i) - VARIANT 09, RELAY WITH SOLDERABLE, HOOK-END TERMINALS AND FLUSH HORIZONTAL SHOULDER BRACKETS

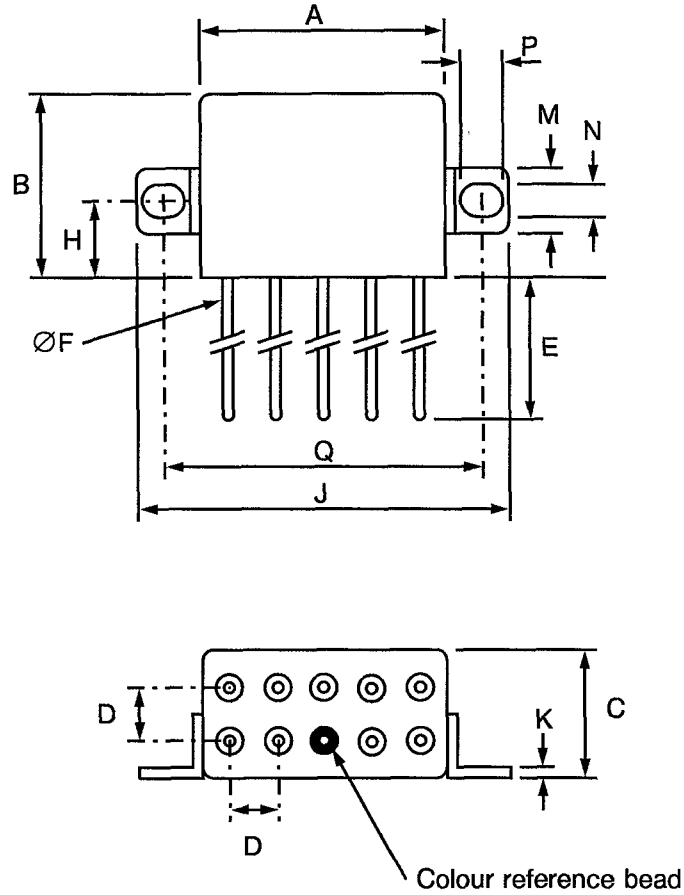


SYMBOL	MILLIMETRES	
	MIN.	MAX.
A	-	13.00
B	-	10.40
C	-	6.10
D	2.52	2.56
E	3.00	3.90
ØF	0.45	0.55
ØG	-	0.90
J	-	22.85
K	0.35	0.45
M	4.50	4.90
N	2.15	2.65
P	3.10	3.30
Q	17.35	18.35



FIGURE 2 - PHYSICAL DIMENSIONS (CONTINUED)

FIGURE 2(j) - VARIANT 10, RELAY WITH LEAD TERMINALS AND VERTICAL SHOULDER BRACKETS

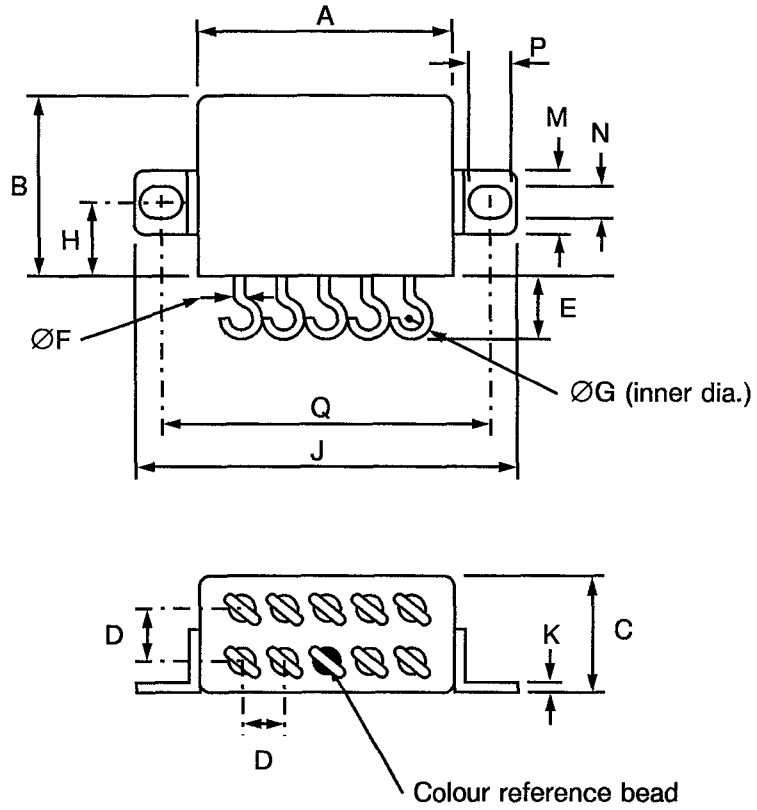


SYMBOL	MILLIMETRES	
	MIN.	MAX.
A	-	13.00
B	-	10.40
C	-	6.10
D	2.52	2.56
E	37.00	39.00
$\varnothing F$	0.45	0.55
H	5.25	5.55
J	-	22.85
K	0.35	0.45
M	4.50	4.90
N	2.15	2.65
P	3.10	3.30
Q	17.35	18.35



FIGURE 2 - PHYSICAL DIMENSIONS (CONTINUED)

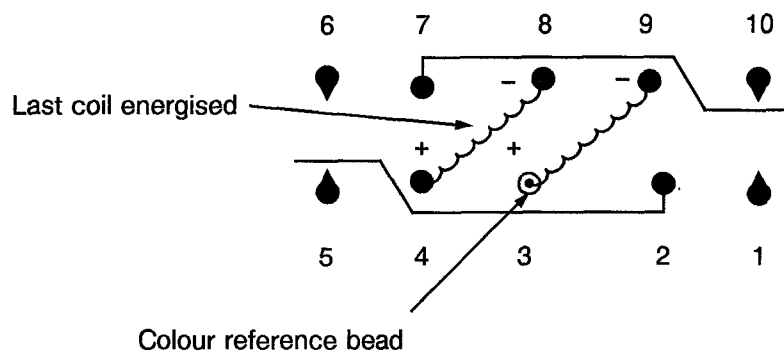
FIGURE 2(k) - VARIANT 11, RELAY WITH SOLDERABLE, HOOK-END TERMINALS AND VERTICAL SHOULDER BRACKETS



SYMBOL	MILLIMETRES	
	MIN.	MAX.
A	-	13.00
B	-	10.40
C	-	6.10
D	2.52	2.56
E	3.00	3.90
ØF	0.45	0.55
ØG	-	0.90
H	5.25	5.55
J	-	22.85
K	0.35	0.45
M	4.50	4.90
N	2.15	2.65
P	3.10	3.30
Q	17.35	18.35



FIGURE 3 - CIRCUIT SCHEMATIC



LEAD IDENTIFICATION AS VIEWED FROM TERMINAL SIDE

NOTES

1. Numbers are for information only.



4. REQUIREMENTS

4.1 GENERAL

The complete requirements for procurement of the relays specified herein shall be as stated in this specification and ESA/SCC Generic Specification No. 3602 for Relays, Electromagnetic Latching. Deviations from the Generic Specification, applicable to this specification only, are listed in Para. 4.2.

Deviations from the applicable Generic Specification and this Detail Specification, formally agreed with specific Manufacturers on the basis that the alternative requirements are equivalent to the ESA/SCC requirements and do not affect the components' reliability, are listed in the appendices attached to this specification.

4.2 DEVIATIONS FROM GENERIC SPECIFICATION

4.2.1 Deviations from Special In-process Controls

None.

4.2.2 Deviations from Final Production Tests (Chart II)

None.

4.2.3 Deviations from Screening Tests (Chart III)

(a) Para. 9.6, Vibration Scan: Frequency Range: 10 - 3000 Hz.

4.2.4 Deviations from Qualification Tests (Chart IV)

(a) Para. 9.10, Vibration: Frequency Range: 10 - 3000 Hz.

(b) Para. 9.11, Mechanical Shock: Test Condition 'C'.

(c) Para. 9.16, Intermediate Current: Contact current and voltage: 10mA, 28Vdc.

4.2.5 Deviations from Lot Acceptance Tests (Chart V)

(a) Para. 9.10, Vibration: Frequency Range: 10 - 3000 Hz.

(b) Para. 9.11, Mechanical Shock: Test Condition 'C'.

(c) Para. 9.16, Intermediate Current: Contact current and voltage: 10mA, 28Vdc.

4.3 MECHANICAL REQUIREMENTS

4.3.1 Dimension Check

The dimensions of the relays specified herein shall be verified in accordance with the requirements set out in Para. 9.5 of ESA/SCC Generic Specification No. 3602 and shall conform to those shown in Figure 2.

4.3.2 Weight

The maximum weight of the relays specified herein shall be 4.0 grammes.



4.3.3 Terminal Strength

The requirements for terminal strength testing are specified in Section 9 of ESA/SCC Generic Specification No. 3602. The test conditions shall be as follows:-

(a) **Pull Test**

Applied Force: 10 Newtons.
Duration: 10 seconds.

(b) **Bend Test**

Load: 5 Newtons.

4.4 MATERIALS AND FINISHES

The materials and finishes shall be as specified herein. Where a definite material is not specified, a material which will enable the relays specified herein to meet the performance requirements of this specification shall be used. Acceptance or approval of any constituent material does not guarantee acceptance of the finished product.

4.4.1 Case

The case material shall be copper nickel, hermetically sealed.

4.4.2 Terminal Material and Finish

The terminal material shall be Type 'D' with Type '3' finish in accordance with the requirements of ESA/SCC Basic Specification No. 23500.

4.5 MARKING

4.5.1 General

The marking of all components delivered to this specification shall be in accordance with the requirements of ESA/SCC Basic Specification No. 21700 and the following paragraphs. When the component is too small to accommodate all of the marking specified, as much as space permits shall be marked and the marking information, in full, shall accompany the component in its primary package.

The information to be marked and the order of precedence, shall be as follows:-

- (a) Terminal Identification.
- (b) The SCC Component Number.
- (c) Electrical Characteristics.
- (d) Traceability Information.

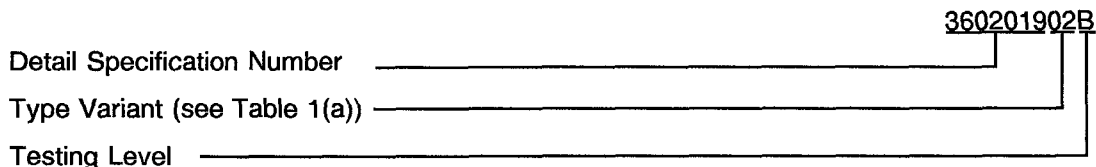
4.5.2 Terminal Identification

Terminal identification shall be marked on the relay can in accordance with Figure 3.



4.5.3 The SCC Component Number

Each component shall bear the SCC Component Number which shall be constituted and marked as follows:



4.5.4 Electrical Characteristic

The electrical characteristic to be marked is the rated coil voltage. The information shall be constituted and marked as follows:-

Coil Voltage	Coil Resistance	Code
26.5Vdc	1050Ω	26V
12Vdc	225Ω	12V
6Vdc	56Ω	6V

4.5.5 Traceability Information

Each component shall be marked in respect of traceability information as defined in ESA/SCC Basic Specification No. 21700.

4.6 ELECTRICAL MEASUREMENTS

4.6.1 Electrical Measurements at Room Temperature

The parameters to be measured at room temperature are scheduled in Table 2. Unless otherwise specified, the measurements shall be performed at $T_{amb} = +22 \pm 3 \text{ }^\circ\text{C}$.

4.6.2 Electrical Measurements at High and Low Temperatures

The parameters to be measured at high and low temperatures are scheduled in Table 3.

4.6.3 Circuits for Electrical Measurements (Figure 4)

Not applicable.

4.7 SCREENING

4.7.1 Miss Test

During the miss test, the contact resistance shall be continuously monitored and shall not exceed the values specified in Table 4 of this specification.

4.7.2 Conditions for Screening

The requirements for screening are specified in Section 7 of ESA/SCC Generic Specification No. 3601. The conditions for screening shall be as specified in Table 5(a) of this specification.

4.7.3 Electrical Circuits for Screening (Figure 5(a))

Not applicable.

**TABLE 2 - ELECTRICAL MEASUREMENTS AT ROOM TEMPERATURE**

No.	CHARACTERISTICS	SYMBOL	ESA/SCC 3602 TEST METHOD	TEST CONDITIONS	LIMITS		UNIT
					MIN.	MAX.	
1	Latch Voltage:- 26V 12V 6V	U_L	Para. 9.3.1	Para. 9.3.1	7.0 3.5 1.5	14.0 7.0 3.5	V
2	Reset Voltage:- 26V 12V 6V	U_R	Para. 9.3.2	Para. 9.3.2	7.0 3.5 1.5	14.0 7.0 3.5	V
3	Latch Time	t_L	Para. 9.3.4	Para. 9.3.4	-	3.0	ms
4	Reset Time	t_r	Para. 9.3.4	Para. 9.3.4	-	3.0	ms
5	Bounce Time	t_b	Para. 9.3.4	Para. 9.3.4	-	1.5	ms
6	Insulation Resistance	R_i	Para. 9.3.7	Para. 9.3.7 at 100Vdc	10000	-	$M\Omega$
7	Voltage Proof	VP	Para. 9.3.6	Para. 9.3.6 Note 1	500	-	Vrms
8	Contact Voltage Drop	V_d	Para. 9.3.3	Para. 9.3.3	-	5.0	mV
9	Coil Resistance Latch Coil 26V 12V 6V	R_{BL}	Para. 9.3.5	Para. 9.3.5	945 203 51	1155 247 61	Ω
	Reset Coil 26V 12V 6V	R_{BR}			945 203 51	1155 247 61	

NOTES

- 350V between open contacts.

**TABLE 3 - ELECTRICAL MEASUREMENTS AT HIGH AND LOW TEMPERATURES**

No.	CHARACTERISTICS	SYMBOL	ESA/SCC 3602 TEST METHOD	TEST CONDITIONS	LIMITS		UNIT
					MIN.	MAX.	
1	Latch Voltage:- 26V 12V 6V	U_L	Para. 9.3.1	Para. 9.3.1	- - -	18.0 9.0 4.5	V
2	Reset Voltage:- 26V 12V 6V	U_R	Para. 9.3.2	Para. 9.3.2	- - -	18.0 9.0 4.5	V
3	Latch Time	t_L	Para. 9.3.4	Para. 9.3.4	-	3.0	ms
4	Reset Time	t_r	Para. 9.3.4	Para. 9.3.4	-	3.0	ms
5	Bounce Time	t_b	Para. 9.3.4	Para. 9.3.4	-	1.5	ms
6	Insulation Resistance	R_i	Para. 9.3.7	Para. 9.3.7 at 100Vdc Note 1	100	-	$M\Omega$

NOTES

1. This measurement shall be made only at the high temperature condition.

**FIGURE 4 - CIRCUITS FOR ELECTRICAL MEASUREMENTS**

Not applicable.

TABLE 4 - MEASUREMENTS DURING SCREENING

No.	CHARACTERISTICS	SYMBOL	ESA/SCC 3602 TEST METHOD	TEST CONDITIONS	MAXIMUM LIMIT	UNIT
10	Miss Test, Contact Resistance	R_C	Para. 9.8	Para. 9.8	50	Ω

TABLE 5(a) - CONDITIONS FOR SCREENING

No.	CHARACTERISTICS	SYMBOL	CONDITION	UNIT
1	Ambient High Temperature	T_{amb}	+ 125(+ 0 - 3)	$^{\circ}\text{C}$
2	Ambient Low Temperature	T_{amb}	- 65(+ 3 - 0)	$^{\circ}\text{C}$
3	Ambient Room Temperature	T_{amb}	+ 22 \pm 3	$^{\circ}\text{C}$

TABLE 5(b) - CONDITIONS FOR OPERATING LIFE TEST

No.	CHARACTERISTICS	SYMBOL	CONDITION	UNIT
1	Ambient High Temperature	T_{amb}	+ 125(+ 0 - 3)	$^{\circ}\text{C}$
2	Contact Load, Resistive	V I	28 1.0	Vdc Adc

FIGURE 5(a) - ELECTRICAL CIRCUITS FOR SCREENING

Not applicable.

FIGURE 5(b) - ELECTRICAL CIRCUITS FOR OPERATING LIFE TEST

Not applicable.



- 4.8 ENVIRONMENTAL AND ENDURANCE TESTS (CHARTS IV AND V OF ESA/SCC GENERIC SPECIFICATION No. 3602)
- 4.8.1 Measurements and Inspections on Completion of Environmental Tests
The parameters to be measured and inspections to be performed on completion of environmental tests are scheduled in Table 6. Unless otherwise stated, the measurements shall be performed at $T_{amb} = +22 \pm 3 \text{ }^\circ\text{C}$.
- 4.8.2 Measurements and Inspections during Endurance Tests
The parameters to be measured and inspections to be performed during endurance tests are scheduled in Table 6. Unless otherwise stated, the measurements shall be performed at $T_{amb} = +22 \pm 3 \text{ }^\circ\text{C}$.
- 4.8.3 Measurements and Inspections on Completion of Endurance Tests
The parameters to be measured and inspections to be performed on completion of endurance tests are scheduled in Table 6. Unless otherwise stated, the measurements shall be performed at $T_{amb} = +22 \pm 3 \text{ }^\circ\text{C}$.
- 4.8.4 Conditions for Operating Life Tests (Part of Endurance Testing)
The requirements for operating life testing are specified in Section 9 of ESA/SCC Generic Specification No. 3602. The conditions for operating life testing shall be as specified in Table 5(b) of this specification.
- 4.8.5 Electrical Circuits for Operating Life Tests (Figure 5(b))
Not applicable.



TABLE 6 - MEASUREMENTS AND INSPECTIONS ON COMPLETION OF ENVIRONMENTAL TESTS AND AT INTERMEDIATE POINTS AND ON COMPLETION OF ENDURANCE TESTING

No.	ESA/SCC GENERIC SPEC. NO. 3602		MEASUREMENTS AND INSPECTIONS		SYMBOL	LIMITS		UNIT
	ENVIRONMENTAL AND ENDURANCE TESTS (1)	TEST METHOD AND CONDITIONS	IDENTIFICATION	CONDITIONS		MIN.	MAX.	
01	Vibration	Para. 9.10 and Para. 4.2.4 of this spec.	Measurements during Test Contact Monitoring Final Measurements Visual Examination	ESA/SCC 3602 Para. 9.10	- -	- -	- -	- -
02	Mechanical Shock	Para. 9.11 and Para. 4.2.4 of this spec.	Measurements during Test Contact Monitoring Final Measurements Electrical Measurements Visual Examination	ESA/SCC 3602 Para. 9.11 Table 2 Items 7-8-1-2	- -	- -	- -	- -
03	Overload	Para. 9.12 and Table 1(b) Item 4 of this spec.	Measurements during Test Contact Voltage Drop Final Measurements Fuse Continuity Contact Voltage Drop Insulation Resistance Voltage Proof (all Points) Electrical Measurements	ESA/SCC 3602 Para. 9.12.1 - Table 2 Item 8 Table 2 Item 6 Table 2 Item 7 Table 2 Items 1-2-3-4-5-9	V _d - V _d R _i VP	Para. 9.12.1 Continuity - 20 5000 - Table 2 Table 2	mV mV MΩ Vrms	
04	Thermal Shock	Para. 9.13	During 5th Cycle Electrical Measurements at +125°C Electrical Measurements at -65°C Final Measurements Visual Examination Voltage Proof (all Points)	In Conditioning Chamber Table 3 Items 1-2-3-4-6 Table 3 Items 1-2-3-4 - Table 2 Item 7	- - VP	Table 3 Table 3 - Table 2	- - Vrms	
05	Salt Spray	Para. 9.14	Final Measurements Visual Examination Electrical Measurements Voltage Proof (all Points)	- Table 2 Items 1-2-3-4-5-6-8-9 Table 2 Item 7	- - VP	- - Table 2 Table 2	- - Vrms	
06	Intermediate Current	Para. 9.16 and Para's 4.2.4 and 4.2.5 of this spec.	Measurements during Test Contact Voltage Drop Final Measurements Insulation Resistance Voltage Proof (all Points) Electrical Measurements Contact Voltage Drop	ESA/SCC 3602 Para. 9.16.1 Table 2 Item 6 Table 2 Item 7 Table 2 Items 1-2-3-4-5-9 ESA/SCC 3602 Para. 9.16.1	V _d R _i VP V _d	Para. 9.16.1 5000 - Table 2 Table 2 Para. 9.16.1	mV MΩ Vrms mV	
07	Terminal Strength	Para. 9.17 and Para. 4.3.3 of this spec.	Visual Examination	ESA/SCC 3602 Para. 9.17.3	-	-	-	-

NOTES

1. The tests in this table refer to either Chart IV or V and shall be used as applicable.



TABLE 6 - MEASUREMENTS AND INSPECTIONS ON COMPLETION OF ENVIRONMENTAL TESTS AND AT INTERMEDIATE POINTS AND ON COMPLETION OF ENDURANCE TESTING (CONT'D)

No.	ESA/SCC GENERIC SPEC. NO. 3602		MEASUREMENTS AND INSPECTIONS		SYMBOL	LIMITS		UNIT
	ENVIRONMENTAL AND ENDURANCE TESTS (1)	TEST METHOD AND CONDITIONS	IDENTIFICATION	CONDITIONS		MIN.	MAX.	
08	Resistance to Soldering Heat	Para. 9.18	Electrical Measurements	Table 2 Items 1-2-6-8-9		Table 2		
09	Operating Life Resistive	Para's 9.19, 9.19.1 and Table 5(b) of this spec.	Measurements during Test Contact Voltage Drop Final Measurements Fuse Continuity Contact Voltage Drop Insulation Resistance Voltage Proof (all Points) Electrical Measurements	ESA/SCC 3602 Para. 9.19.1 - Table 2 Item 8 Table 2 Item 6 Table 2 Item 7 Table 2 Items 1-2-3-4-5-9	V _d - V _d R _i VP	Para. 9.19.1 Continuity - 20 5000 - Table 2 Table 2	mV mV MΩ Vrms	
10	Operating Life Low Level Load and Mechanical Life	Para. 9.19.2	Measurements during Test Contact Voltage Drop Final Measurements Contact Voltage Drop Insulation Resistance Voltage Proof (all Points) Electrical Measurements	ESA/SCC 3602 Para. 9.19.2 Table 2 Item 8 Table 2 Item 6 Table 2 Item 7 Table 2 Items 1-2-3-4-5-9	V _d V _d R _i VP	Para. 9.19.2 - 10 5000 - Table 2 Table 2	mV mV MΩ Vrms	

NOTES

1. The tests in this table refer to either Chart IV or V and shall be used as applicable.