



european space agency
agence spatiale européenne

Pages 1 to 18

ISOLATORS, WAVEGUIDE

2.5 - 40 GHz

BASED ON SERIES **HD****

ESA/SCC Detail Specification No. 3202/020



**space components
coordination group**

Issue/Rev.	Date	Approved by	
		SCCG Chairman	ESA Director General or his Deputy
Issue 1	March 1994	<i>P. Moncur</i>	<i>J. L. ...</i>



SCC

ESA/SCC Detail Specification
No. 3202/020

PAGE 2
ISSUE 1

DOCUMENTATION CHANGE NOTICE

Rev. Letter	Rev. Date	Reference	CHANGE Item	Approved DCR No.

**TABLE OF CONTENTS**

	<u>Page</u>
1. <u>GENERAL</u>	5
1.1 Scope	5
1.2 Type Variants	5
1.3 Maximum Ratings	5
1.4 Physical Dimensions	5
1.5 Functional Diagram	5
2. <u>APPLICABLE DOCUMENTS</u>	5
3. <u>TERMS, DEFINITIONS, ABBREVIATIONS, SYMBOLS AND UNITS</u>	5
4. <u>REQUIREMENTS</u>	9
4.1 General	9
4.2 Deviations from Generic Specification	9
4.2.1 Deviations from Special In-process Controls	9
4.2.2 Deviations from Final Production Tests	9
4.2.3 Deviations from Burn-in and Electrical Measurements	9
4.2.4 Deviations from Qualification Tests	9
4.2.5 Deviations from Lot Acceptance Tests	9
4.3 Mechanical Requirements	10
4.3.1 Contact Engagement and Separation Forces	10
4.3.2 Voltage Proof	10
4.3.3 Weight	10
4.3.4 Coupling Proof Torque	10
4.3.5 Mating and Unmating Forces	10
4.3.6 Centre Contact Retention	10
4.3.7 Dimension Check	10
4.3.8 Endurance	10
4.4 Materials and Finishes	10
4.4.1 General	10
4.4.2 Body	10
4.4.3 Connector Receptacle	10
4.4.4 Tab	10
4.5 Marking	11
4.5.1 General	11
4.5.2 Port Identification	11
4.5.3 The SCC Component Number	11
4.5.4 Traceability Information	11
4.6 Electrical Measurements	11
4.6.1 Electrical Measurements at Room Temperature	11
4.6.2 Electrical Measurements at High and Low Temperatures	11
4.6.3 Circuits for Electrical Measurements	11
4.7 Burn-in Tests	11
4.8 Environmental and Endurance Tests	14
4.8.1 Electrical Measurements on Completion of Environmental Tests	14
4.8.2 Electrical Measurements on Completion of Endurance Tests	14
4.8.3 Conditions for Operating Life Tests	14
4.8.4 Electrical Circuits for Operating Life Tests	14



TABLES

Page

1(a)	Type Variant Summary	6
	Type Variant Detailed Information	16
1(b)	Maximum Ratings	6
1(c)	Format for Individual Tables 1(a)	7
2	Electrical Measurements at Room Temperature	12
3	Electrical Measurements at High and Low Temperatures	12
4	Parameter Drift Values	N/A
5	Conditions for Operating Life Test	13
6	Electrical Measurements on Completion of Environmental Tests and at Intermediate Points and on Completion of Endurance Tests	15

FIGURES

1	Parameter Derating Information	N/A
2	Physical Dimensions	8
3	Functional Diagram	8
4	Circuits for Electrical Measurements	N/A
5	Electrical Circuit for Operating Life Test	13

APPENDICES (Applicable to specific Manufacturers only)

None.

**1. GENERAL****1.1 SCOPE**

This specification details the ratings, physical and electrical characteristics, test and inspection data for an Isolator, Waveguide, 2.5 - 40 GHz, based on Series **HD****. It shall be read in conjunction with ESA/SCC Generic Specification No. 3202, the requirements of which are supplemented herein.

1.2 TYPE VARIANTS

A list of the type variants of the isolators specified herein, which are also covered by this specification, is given in "Table 1(a) - Type Variant Summary".

For each type variant, the full electrical and physical characteristics are given in individual Tables 1(a), "Type Variant Detailed Information", at the end of this specification.

The contents of the individual Tables 1(a) shall be as shown in Table 1(c) and the characteristics therein listed shall relate to the design parameters of the individual isolators, optimised for the intended application.

The specific characteristics shall be negotiated between the Manufacturer and the Orderer. The Manufacturer shall then apply to the ESA/SCC Secretariat for a type variant number for each individual isolator concerned, by sending a finalised Table 1(a) which shall also be copied to the Qualifying Space Agency (QSA).

1.3 MAXIMUM RATINGS

The maximum ratings, which shall not be exceeded at any time during use or storage, applicable to the isolators specified herein, are as scheduled in Table 1(b).

1.4 PHYSICAL DIMENSIONS

The physical dimensions of the isolators specified herein, are shown in Figure 2.

1.5 FUNCTIONAL DIAGRAM

The functional diagram, showing port identification of the isolators specified herein, is shown in Figure 3.

2. APPLICABLE DOCUMENTS

The following documents form part of this specification and shall be read in conjunction with it:-

- (a) ESA/SCC Generic Specification No. 3202, Ferrite Microwave Components, Isolators and Circulators.
- (b) IEC Publication No. 154, Flanges for Waveguides.
- (c) MIL-F-3922, Flange, Waveguide, General Purpose, General Specification for.

3. TERMS, DEFINITIONS, ABBREVIATIONS, SYMBOLS AND UNITS

For the purpose of this specification, the terms, definitions, abbreviations, symbols and units specified in ESA/SCC Basic Specification No. 21300 shall apply.



TABLE 1(a) - TYPE VARIANT SUMMARY

VARIANT	BASED ON TYPE	CENTRE FREQ. (f_c) (GHz)	MIN. BANDWIDTH (B) (GHz)	MINIMUM ISOLATION (ISO) (dB)	MAXIMUM INSERTION LOSS (IL) (dB)	MINIMUM RETURN LOSS	
						INPUT (RL_{IN}) (dB)	OUTPUT (RL_{OUT}) (dB)
01	15HD338	7.5	0.5	20.0	0.5	19.1	19.1
02	15HD339	7.5	0.5	20.0	0.35	20.8	20.8
03	20HD316	18.1	0.8	20.0	0.5	19.1	19.1

NOTES

1. Full electrical and physical characteristics are given in the individual Tables 1(a) at the end of this specification.

TABLE 1(b) - MAXIMUM RATINGS

No.	CHARACTERISTICS	SYMBOL	MAXIMUM RATINGS	UNIT
1	Frequency Range	-	2.5 to 40	GHz
2	Peak RF Frequency Power Product	P_p	200	GHzW
	Peak RF Power Duration	-	50	μ s
	Peak RF Power Duty Cycle	-	10	%
3	Rated RF Power (Continuous Reflected)		10	GHzW
4	Load RF Frequency Power Product (Reflected)	P_{pr}	100	GHzW
	Load RF Power (Reflected) Duration	-	50	μ s
	Load RF Power (Reflected) Duty Cycle	-	10	%
5	Minimum RF Leakage	E	- 70	dBc
6	Operating Temperature Range	T_{op}	Item 8 (1)	$^{\circ}$ C
7	Storage Temperature Range	T_{stg}	- 60 to + 125	$^{\circ}$ C

NOTES

1. See Individual Tables 1(a).

FIGURE 1 - PARAMETER DERATING INFORMATION

Not applicable.



TABLE 1(c) - FORMAT FOR INDIVIDUAL TABLES 1(a)

TABLE 1(a) - TYPE VARIANT DETAILED INFORMATION

TYPE VARIANT No.

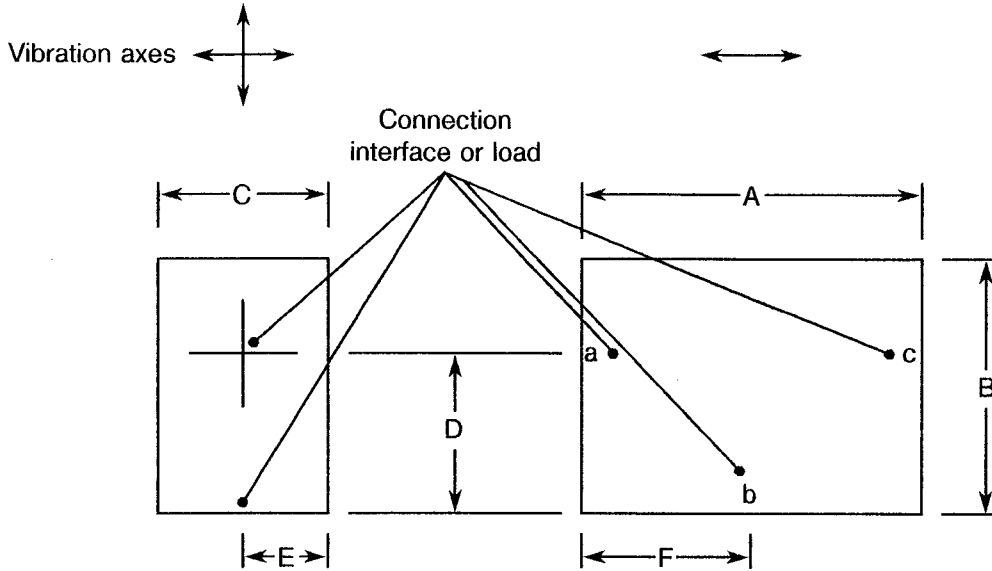
No.	CHARACTERISTICS	SYMBOL	VALUES		UNIT	REMARKS
			MIN.	MAX.		
1	Centre Frequency	f_c			GHz	
2	Bandwidth	B		-	GHz	
3	Isolation (Output to Input)	ISO		-	dB	Note 1
4	Insertion Loss (Input to Output)	IL	-		dB	Note 1
5	Return Loss Input Output	RL_{IN}		-	dB	Note 1
		RL_{OUT}		-	dB	
6	Weight	-	-		g	
7	Interfaces Input Output	-	154 IEC-		-	Note 2
		-	154 IEC-		-	
8	Operating Temperature Range	T_{op}			°C	T_{amb} (Note 3)
9	Physical Dimensions	A	-		mm	
		B	-		mm	
		C	-		mm	
		D	-		mm	
		E	-		mm	
		F	-		mm	
		G	-		mm	
		H	-		mm	
J	-		mm			
10	Configuration and Functional Diagram	-	Figure 3()		-	

NOTES

- Over the frequency range specified in Items 1 and 2. Bandwidth is symmetrical around the centre frequency.
- For components with flanges to MIL-F-3922, the applicable reference shall be inserted here. The interface description refers to the flange that the component is intended to mate with.
- The Operating Temperature Range shall not exceed the Storage Temperature Range.

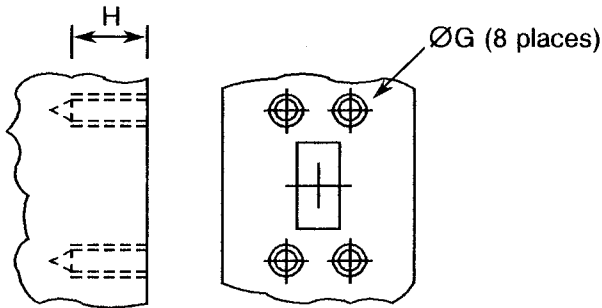


FIGURE 2 - PHYSICAL DIMENSIONS

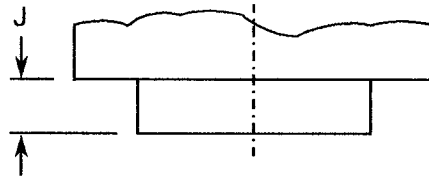


Connection interface or load as follows:

WAVEGUIDE FLANGE (2)



LOAD



NOTES

1. Ports shall be marked as specified in Figure 3.
2. The perpendicularity or parallelism between the waveguide flanges shall be 0.2mm maximum.
3. For dimensions, see Individual Tables 1(a).

FIGURE 3 - FUNCTIONAL DIAGRAM

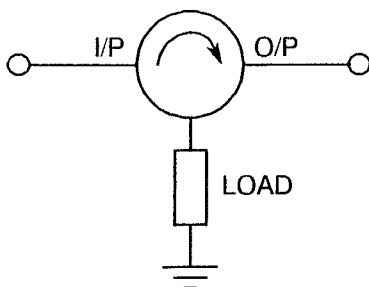


FIGURE	PORT		
	a	b	c
3(a)	I/P	O/P	LOAD
3(b)	O/P	I/P	LOAD
3(c)	LOAD	O/P	I/P
3(d)	LOAD	I/P	O/P
3(e)	O/P	LOAD	I/P
3(f)	I/P	LOAD	O/P

**4. REQUIREMENTS****4.1 GENERAL**

The complete requirements for procurement of the isolators specified herein shall be as stated in this specification and ESA/SCC Generic Specification No. 3202. Deviations from the Generic Specification, applicable to this Detail Specification only, are listed in Para. 4.2.

Deviations from the applicable Generic Specifications and this Detail Specification, formally agreed with specific Manufacturers on the basis that the alternative requirements are equivalent to the ESA/SCC requirements and do not affect the components' reliability, are listed in the appendices attached to this specification.

4.2 DEVIATIONS FROM GENERIC SPECIFICATION**4.2.1 Deviations from Special In-process Controls**

None.

4.2.2 Deviations from Final Production Tests (Chart II)

- (a) Para. 9.7.1.6, Voltage Proof: Shall not be performed.
- (b) Para. 9.6, Seal Test: Shall not be performed.
- (c) Para. 9.8, Coupling Proof Torque: Shall not be performed.
- (d) Para. 9.9, Mating and Unmating Forces: Shall not be performed.
- (e) Para. 9.10, Centre Contact Retention: Shall not be performed.
- (f) Para. 9.13, Contact Engagement and Separation Forces: Shall not be performed.

4.2.3 Deviations from Burn-in and Electrical Measurements (Chart III)

Not applicable.

4.2.4 Deviations from Qualification Tests (Chart IV)

- (a) Para. 9.8, Coupling Proof Torque: Shall not be performed.
- (b) Para. 9.20, Endurance: Shall not be performed.
- (c) Para. 9.21, Solderability: Shall not be performed.
- (d) Para. 9.22, Robustness of Terminations: Shall not be performed.
- (e) Para. 9.6, Seal Test: Shall not be performed.

4.2.5 Deviations from Lot Acceptance Tests (Chart V)

- (a) Para. 9.8, Coupling Proof Torque: Shall not be performed.
- (b) Para. 9.20, Endurance: Shall not be performed.
- (c) Para. 9.6, Seal Test: Shall not be performed.
- (d) Para. 9.9, Mating and Unmating Forces: Shall not be performed.
- (e) Para. 9.13, Contact Engagement and Separation Forces: Shall not be performed.
- (f) Para. 9.21, Solderability: Shall not be performed.
- (g) Para. 9.22, Robustness of Terminations: Shall not be performed.



4.3 MECHANICAL REQUIREMENTS

4.3.1 Contact Engagement and Separation Forces

Not applicable.

4.3.2 Voltage Proof

Not applicable.

4.3.3 Weight

The maximum weight of the components specified herein shall be as defined in the Individual Tables 1(a).

4.3.4 Coupling Proof Torque

Not applicable.

4.3.5 Mating and Unmating Forces

Not applicable.

4.3.6 Centre Contact Retention

Not applicable.

4.3.7 Dimension Check

The dimensions of the components specified herein shall be verified in accordance with the requirements set out in Para. 9 of ESA/SCC Generic Specification No. 3202 and shall conform to those shown in the Individual Tables 1(a).

4.3.8 Endurance

Not applicable.

4.4 MATERIALS AND FINISHES

4.4.1 General

The materials and finishes shall be as specified herein. Where a definite material is not specified, a material which will enable the components specified herein to meet the performance requirements of this specification shall be used. Acceptance or approval of any constituent material does not guarantee acceptance of the finished product.

4.4.2 Body

Aluminium alloy (milled), chromate conversion finish.

4.4.3 Connector Receptacle

Not applicable.

4.4.4 Tab

Not applicable.



4.5 MARKING

4.5.1 General

The marking of all components delivered to this specification shall be in accordance with the requirements of ESA/SCC Basic Specification No. 21700. Each component shall be marked in respect of:-

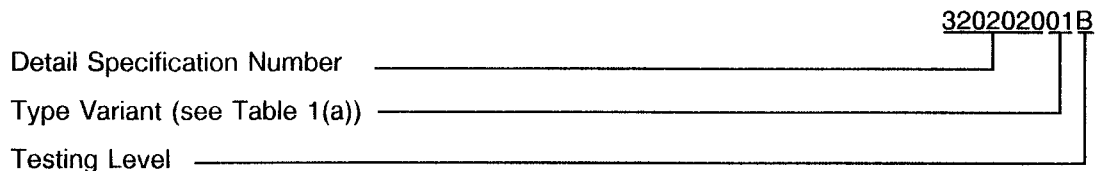
- (a) Port Identification.
- (b) The SCC Component Number.
- (c) Traceability Information.

4.5.2 Port Identification

Input and Output Port identification shall be as shown in the Individual Tables 1(a) and Figure 3.

4.5.3 The SCC Component Number

Each component shall bear the SCC Component Number which shall be constituted and marked as follows:



4.5.4 Traceability Information

Each component shall be marked in respect of traceability information in accordance with the requirements of ESA/SCC Basic Specification No. 21700.

4.6 ELECTRICAL MEASUREMENTS

4.6.1 Electrical Measurements at Room Temperature

The parameters to be measured at room temperature are scheduled in Table 2. The measurements shall be performed at $T_{amb} = +22 \pm 3$ °C.

4.6.2 Electrical Measurements at High and Low Temperatures

The parameters to be measured at high and low temperatures are scheduled in Table 3. Measurements shall be performed at the temperature extremes as defined in Item 8 of the Individual Tables 1(a).

4.6.3 Circuits for Electrical Measurements

Circuits for use in performing electrical measurements are given in ESA/SCC Generic Specification No. 3202.

4.7 BURN-IN TESTS

Not applicable.

**TABLE 2 - ELECTRICAL MEASUREMENTS AT ROOM TEMPERATURE**

No.	CHARACTERISTICS	SYMBOL	ESA/SCC 3202 TEST METHOD AND CONDITION	LIMITS
1	Isolation	ISO	Para. 9.7.1.2	Item 3 (1)
2	Insertion Loss	IL	Para. 9.7.1.3	Item 4 (1)
3	Return Loss Input Output	RL _{IN} RL _{OUT}	Para. 9.7.1.4	Item 5 (1)

NOTES

1. See Individual Tables 1(a).

TABLE 3 - ELECTRICAL MEASUREMENTS AT HIGH AND LOW TEMPERATURES

No.	CHARACTERISTICS	SYMBOL	ESA/SCC 3202 TEST METHOD AND CONDITION	LIMITS
1	Isolation	ISO	Para. 9.7.1.2	Item 3 (1)
2	Insertion Loss	IL	Para. 9.7.1.3	Item 4 (1)
3	Return Loss Input Output	RL _{IN} RL _{OUT}	Para. 9.7.1.4	Item 5 (1)

NOTES

1. See Individual Tables 1(a).

FIGURE 4 - CIRCUITS FOR ELECTRICAL MEASUREMENTS

Not applicable.

TABLE 4 - PARAMETER DRIFT VALUES

Not applicable.

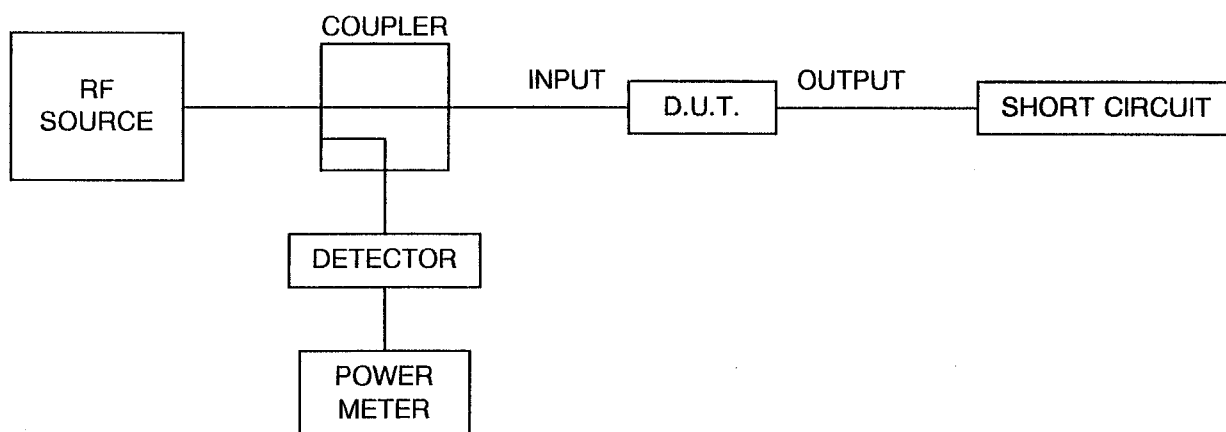
TABLE 5 - CONDITIONS FOR OPERATING LIFE TEST

No.	CHARACTERISTICS	SYMBOL	CONDITION	UNIT
1	Centre Frequency	f_c	Item 1 (1)	GHz
2	Input Power Frequency Product	P	10	GHzW
3	Ambient Temperature	T_{amb}	Higher Temperature of Item 8 (1)	°C

NOTES

1. See Individual Tables 1(a).

FIGURE 5 - ELECTRICAL CIRCUIT FOR OPERATING LIFE TEST





4.8 ENVIRONMENTAL AND ENDURANCE TESTS (CHARTS IV AND V OF ESA/SCC GENERIC SPECIFICATION NO. 3202)

4.8.1 Measurements and Inspections on Completion of Environmental Tests

The parameters to be measured and inspections to be performed on completion of environmental tests are scheduled in Table 6. Unless otherwise stated, the measurements shall be performed at $T_{amb} = +22 \pm 3^{\circ}\text{C}$.

4.8.2 Measurements and Inspections at Intermediate Points and on Completion of Endurance Tests

The parameters to be measured and inspections to be performed at intermediate points and on completion of endurance tests are scheduled in Table 6. Unless otherwise stated, the measurements shall be performed at $T_{amb} = +22 \pm 3^{\circ}\text{C}$.

4.8.3 Conditions for Operating Life Tests (Part of Endurance Testing)

The requirements for operating life testing are specified in Section 9 of ESA/SCC Generic Specification No. 3202. The conditions for operating life testing shall be as specified in Table 5 of this specification.

4.8.4 Electrical Circuits for Operating Life Tests

Circuits for use in performing the operating life tests are shown in Figure 5.



TABLE 6 - MEASUREMENTS AND INSPECTIONS ON COMPLETION OF ENVIRONMENTAL TESTS AND AT INTERMEDIATE POINTS AND ON COMPLETION OF ENDURANCE TESTS

No.	ESA/SCC GENERIC SPECIFICATION NO. 3202		MEASUREMENTS AND INSPECTIONS		SYMBOL	LIMITS	UNIT
	ENVIRONMENTAL AND ENDURANCE TESTS (1)	TEST METHOD AND CONDITIONS	IDENTIFICATION	CONDITIONS			
01	Rapid Change of Temperature	Para. 9.4	Electrical Measurements Visual Examination	Table 2 -		(2) -	
02	Vibration	Para. 9.5	Electrical Measurements Visual Examination	Table 2 -		(2) -	
03	Shock or Bump	Para. 9.16	Electrical Measurements Visual Examination	Table 2 -		(2) -	
04	Permanence of Marking	Para. 9.17	Visual Examination	-		-	
05	Climatic Sequence Dry Heat Cold Test Low Air Pressure Damp Heat	Para. 9.18 Para. 9.18.2 Para. 9.18.4 Para. 9.18.5 Para. 9.18.6	Electrical Measurements Electrical Measurements 3202, Para. 9.18.5 Electrical Measurements	Table 3 Table 3 - Table 2		(2) (2) 3202, Para. 9.18.5 (2)	
06	Corrosion	Para. 9.19	Visual Examination	-		-	
07	Coupling Proof Torque	Para. 9.8	Not applicable	-		-	
08	Endurance	Para. 9.20	Not applicable	-		-	
09	Solderability	Para. 9.21	Not applicable	-		-	
10	Robustness of Terminations	Para. 9.22	Not applicable	-		-	
11	Seal Test	Para. 9.6	Not applicable	-		-	
12	Damp Heat	Para. 9.23	Electrical Measurements Visual Examination	Table 2 -		(2) -	
13	Operating Life	Para. 9.24.1 Para. 9.24.4 Para. 9.24.5	Init. Elec. Measurements Inter. Elec. Measurements Final Elec. Measurements	Table 2 Table 2 Table 2		(2) (2) (2)	
14	Mating and Unmating Forces	Para. 9.9	Not applicable	-		-	
15	Contact Engagement and Separation Forces	Para. 9.13	Not applicable	-		-	

NOTES

1. The tests in this table refer to either Chart IV or V and shall be used as applicable.
2. See Individual Tables 1(a).

**TABLE 1(a) - TYPE VARIANT DETAILED INFORMATION**
TYPE VARIANT No. 01

No.	CHARACTERISTICS	SYMBOL	VALUES		UNIT	REMARKS
			MIN.	MAX.		
1	Centre Frequency	f_c	7.5		GHz	
2	Bandwidth	B	0.5	-	GHz	
3	Isolation (Output to Input)	ISO	20	-	dB	Note 1
4	Insertion Loss (Input to Output)	IL	-	0.5	dB	Note 1
5	Return Loss	Input	19.1	-	dB	Note 1
		Output	19.1	-	dB	
6	Weight	-	-	340	g	
7	Interfaces	Input	154 IEC-UBR 84		-	Note 2
		Output	154 IEC-UBR 84		-	
8	Operating Temperature Range	T_{op}	-30	+90	°C	T_{amb} (Note 3)
9	Physical Dimensions	A	-	70.3	mm	
		B	-	69.5	mm	
		C	-	48.2	mm	
		D	44.5	45.5	mm	
		E	23.5	24.5	mm	
		F	34.4	35.4	mm	
		G		M4	mm	
		H	5.0	-	mm	
		J	-	10.0	mm	
10	Configuration and Functional Diagram	-	Figure 3(f)		-	

NOTES

- Over the frequency range specified in Items 1 and 2. Bandwidth is symmetrical around the centre frequency.
- For components with flanges to MIL-F-3922, the applicable reference shall be inserted here. The interface description refers to the flange that the component is intended to mate with.
- The Operating Temperature Range shall not exceed the Storage Temperature Range.



TABLE 1(a) - TYPE VARIANT DETAILED INFORMATION
TYPE VARIANT No. 02

No.	CHARACTERISTICS	SYMBOL	VALUES		UNIT	REMARKS
			MIN.	MAX.		
1	Centre Frequency	f_c	7.5		GHz	
2	Bandwidth	B	0.5	-	GHz	
3	Isolation (Output to Input)	ISO	20	-	dB	Note 1
4	Insertion Loss (Input to Output)	IL	-	0.35	dB	Note 1
5	Return Loss	Input	20.8	-	dB	Note 1
		Output	20.8	-	dB	
6	Weight	-	-	340	g	
7	Interfaces	Input	154 IEC-UBR 84		-	Note 2
		Output	154 IEC-UBR 84		-	
8	Operating Temperature Range	T_{op}	-30	+90	°C	T_{amb} (Note 3)
9	Physical Dimensions	A	-	70.3	mm	
		B	-	69.5	mm	
		C	-	48.2	mm	
		D	44.5	45.5	mm	
		E	23.5	24.5	mm	
		F	34.4	35.4	mm	
		G	M3		mm	
		H	5.0	-	mm	
		J	-	10.0	mm	
10	Configuration and Functional Diagram	-	Figure 3(f)		-	

NOTES

- Over the frequency range specified in Items 1 and 2. Bandwidth is symmetrical around the centre frequency.
- For components with flanges to MIL-F-3922, the applicable reference shall be inserted here. The interface description refers to the flange that the component is intended to mate with.
- The Operating Temperature Range shall not exceed the Storage Temperature Range.

**TABLE 1(a) - TYPE VARIANT DETAILED INFORMATION**
TYPE VARIANT No. 03

No.	CHARACTERISTICS	SYMBOL	VALUES		UNIT	REMARKS
			MIN.	MAX.		
1	Centre Frequency	f_c	18.1		GHz	
2	Bandwidth	B	0.8	-	GHz	
3	Isolation (Output to Input)	ISO	20	-	dB	Note 1
4	Insertion Loss (Input to Output)	IL	-	0.5	dB	Note 1
5	Return Loss Input Output	RL_{IN}	19.1	-	dB	Note 1
		RL_{OUT}	19.1	-	dB	
6	Weight	-	-	51	g	
7	Interfaces Input Output	-	154 IEC-UBR 220		-	Note 2
		-	154 IEC-UBR 220		-	
8	Operating Temperature Range	T_{op}	-30	+90	°C	T_{amb} (Note 3)
9	Physical Dimensions	A	-	32.0	mm	
		B	-	38.6	mm	
		C	-	23.5	mm	
		D	26.5	27.5	mm	
		E	11.3	11.6	mm	
		F	18.85	19.25	mm	
		G	M4		mm	
		H	3.8	-	mm	
		J	-	7.6	mm	
10	Configuration and Functional Diagram	-	Figure 3(f)		-	

NOTES

- Over the frequency range specified in Items 1 and 2. Bandwidth is symmetrical around the centre frequency.
- For components with flanges to MIL-F-3922, the applicable reference shall be inserted here. The interface description refers to the flange that the component is intended to mate with.
- The Operating Temperature Range shall not exceed the Storage Temperature Range.