



europaean space agency  
agence spatiale européenne

Pages 1 to 35

DIODES, MICROWAVE, SILICON,

PIN, LIMITER,

BASED ON TYPES ML4207 THRU ML4209

ESA/SCC Detail Specification No. 5513/007



space components  
coordination group

Issue/Rev.	Date	Approved by	
		SCCG Chairman	ESA Director General or his Deputy
Issue 1	April 1993		
Revision 'A'	February 2002		

**SEC**ESA/SCC Detail Specification  
No. 5513/007

Rev. 'A'

PAGE 2

ISSUE 1

**DOCUMENTATION CHANGE NOTICE**

Rev. Letter	Rev. Date	Reference	CHANGE Item	Approved DCR No.
'A'	Feb. '02	P1. Cover Page		None
		P2. DCN		None
		P24. Para. 4.2.1	: (a) and (b) paragraph references amended	221643
		Para. 4.2.2	: Chart reference amended in Title	221643
			: (a) paragraph reference amended	221643
			: (e) deleted	221643
		Para. 4.2.3	: Chart reference amended in Title	221643
			: (a) paragraph reference amended	221643
		P28. Para. 4.7	: "3" deleted, "2" inserted	221643
		P30. Table 4	: Note 1 amended	221643
		P32. Table 5(b)	: Title amended	221643
		Table 5(c)	: Table deleted	221643
		P33. Para. 4.8.3	: "(c)" deleted, "(b)" inserted	221643

**TABLE OF CONTENTS**

	<u>Page</u>
<b>1. <u>GENERAL</u></b>	<b>5</b>
1.1 Scope	5
1.2 Type Variants	5
1.3 Maximum Ratings	5
1.4 Parameter Derating Information	5
1.5 Physical Dimensions	5
1.6 Functional Diagram	5
1.7 Handling Precautions	5
<b>2. <u>APPLICABLE DOCUMENTS</u></b>	<b>5</b>
<b>3. <u>TERMS, DEFINITIONS, ABBREVIATIONS, SYMBOLS AND UNITS</u></b>	<b>5</b>
<b>4. <u>REQUIREMENTS</u></b>	<b>24</b>
4.1 General	24
4.2 Deviations from Generic Specification	24
4.2.1 Deviations from Special In-process Controls	24
4.2.2 Deviations from Final Production Tests	24
4.2.3 Deviations from Burn-in and Electrical Measurements	24
4.2.4 Deviations from Qualification Tests	24
4.2.5 Deviations from Lot Acceptance Tests	24
4.3 Mechanical and Environmental Requirements	25
4.3.1 Dimension Check	25
4.3.2 Weight	25
4.3.3 Terminal Strength	25
4.4 Materials and Finishes	26
4.4.1 Case	26
4.4.2 Lead Materials and Finish	26
4.5 Marking	27
4.5.1 General	27
4.5.2 Cathode Identification	27
4.5.3 The SCC Component Number	27
4.5.4 Traceability Information	27
4.6 Electrical Measurements	27
4.6.1 Electrical Measurements at Room Temperature	27
4.6.2 Electrical Measurements at High and Low Temperatures	27
4.6.3 Circuits for Electrical Measurements	27
4.7 Burn-in Tests	28
4.7.1 Parameter Drift Values	28
4.7.2 Conditions for High Temperature Reverse Bias Burn-in	28
4.7.3 Conditions for Power Burn-in	28
4.7.4 Electrical Circuits for High Temperature Reverse Bias and Power Burn-in	28
4.8 Environmental and Endurance Tests	33
4.8.1 Electrical Measurements on Completion of Environmental Tests	33
4.8.2 Electrical Measurements at Intermediate Points and on Completion of Endurance Tests	33
4.8.3 Conditions for Operating Life Tests	33
4.8.4 Electrical Circuits for Operating Life Tests	33
4.9 Total Dose Irradiation Testing	33
4.9.1 Application	33
4.9.2 Bias Conditions	33
4.9.3 Electrical Measurements	33
4.10 Special Testing	33

**TABLES**Page



1(a)	Type Variants	6
1(b)	Maximum Ratings	8
2	Electrical Measurements at Room Temperature - D.C. Parameters	29
	Electrical Measurements at Room Temperature - A.C. Parameters	29
3	Electrical Measurements at High and Low Temperatures	30
4	Parameter Drift Values	30
5(a)	Conditions for High Temperature Reverse Bias Burn-in	32
5(b)	Conditions for Power Burn-in	32
5(c)	Conditions for Operating Life Tests	32
6	Electrical Measurements at Intermediate Points and on Completion of Endurance Testing	34
7	Electrical Measurements During and on Completion of Irradiation Testing	35

**FIGURES**

1	Parameter Derating Information	9
2	Physical Dimensions	10
3	Functional Diagram	23
4	Circuits for Electrical Measurements	31
5(a)	Electrical Circuit for High Temperature Reverse Bias Burn-in	32
5(b)	Electrical Circuit for Power Burn-in and Operating Life Tests	32
6	Bias Conditions for Irradiation Testing	34

**APPENDICES (Applicable to specific Manufacturers only)**

None.

		<p style="text-align: center;">ESA/SCC Detail Specification No. 5513/007</p>		<p>PAGE 5 ISSUE 1</p>
--	--	--	--	---------------------------

1. **GENERAL**

1.1 **SCOPE**

This specification details the ratings, physical and electrical characteristics, test and inspection data for a Diode, Microwave, Silicon, PIN, Limiter, based on Types ML4207 thru ML4209. It shall be read in conjunction with ESA/SCC Generic Specification No. 5010, the requirements of which are supplemented herein.

1.2 **TYPE VARIANTS**

Variants of the basic diodes specified herein, which are also covered by this specification are given in Table 1(a).

1.3 **MAXIMUM RATINGS**

The maximum ratings, which shall not be exceeded at any time during use or storage, applicable to the diodes specified herein, are as scheduled in Table 1(b).

1.4 **PARAMETER DERATING INFORMATION**

The derating information applicable to the diodes specified herein is shown in Figure 1.

1.5 **PHYSICAL DIMENSIONS**

The physical dimensions of the diodes specified herein are shown in Figure 2.

1.6 **FUNCTIONAL DIAGRAM**

The functional diagram, showing lead identification, of the diodes specified herein, is shown in Figure 3.

1.7 **HANDLING PRECAUTIONS**

These devices are susceptible to damage by electrostatic discharge. Therefore, suitable precautions shall be employed for protection during all phases of manufacture, testing, packaging, shipment and any handling.

These components are Categorised as Class 2 with a Minimum Critical Path Failure Voltage of 3800V.

2. **APPLICABLE DOCUMENTS**

The following documents form part of this specification and shall be read in conjunction with it:-

- (a) ESA/SCC Generic Specification No. 5010 for Discrete Microwave Semiconductor Components.
- (b) MIL-STD-750, Test Methods and Procedures for Semiconductor Devices.

3. **TERMS, DEFINITIONS, ABBREVIATIONS, SYMBOLS AND UNITS**

For the purpose of this specification, the terms, definitions, abbreviations, symbols and units specified in ESA/SCC Basic Specification No. 21300 shall apply.



**TABLE 1(a) - TYPE VARIANTS**

(1) VARIANT	(2) BASED ON TYPE	(3) FIGURE	(4) TOTAL CAPACITANCE $C_T$ (pF)		(5) JUNCTION CAPACITANCE $C_J$ (pF) (Typical)	(6) BODY-LID AND LEAD MATERIAL AND FINISH
			MIN	MAX		
01	ML4207 - 30	2(a)	0.47	0.57	0.33	A7-D2
02	ML4207 - 31	2(b)	0.47	0.57	0.33	A7-D2
03	ML4207 - 32	2(c)	0.58	0.68	0.33	A7-D2
04	ML4207 - 34	2(d)	0.67	0.77	0.33	A7-D2
05	ML4207 - 36	2(e)	0.47	0.57	0.33	A7-D2
06	ML4207 - 43	2(f)	1.07	1.17	0.33	A7-D2
07	ML4207 - 56	2(g)	0.80	0.90	0.33	A7-D2
08	ML4207 - 91	2(h)	0.58	0.68	0.33	A7-D2
09	ML4207 - 92	2(i)	0.58	0.68	0.33	A7-D2
10	ML4207 - 94	2(j)	0.45	0.55	0.33	A7-D2
11	ML4207 - 95	2(k)	0.45	0.55	0.33	A7-D2
12	ML4207 - 96	2(l)	0.45	0.55	0.33	A7-D2
13	ML4207 - 97	2(m)	0.45	0.55	0.33	A7-D2
14	ML4207 - 101	2(n)	0.77	0.87	0.33	A7-D2
15	ML4207 - 103	2(o)	0.58	0.68	0.33	A7-D2
16	ML4207 - 118	2(p)	0.52	0.62	0.33	A7
17	ML4207 - 120	2(q)	0.43	0.53	0.33	D2
18	ML4207 - 128	2(r)	0.53	0.63	0.33	A7-D2
19	ML4207 - 138	2(s)	0.48	0.58	0.33	A7
20	ML4207 - 148	2(t)	0.56	0.66	0.33	A7
21	ML4207 - 255	2(u)	0.57	0.67	0.33	A7
22	ML4207 - 275	2(v)	0.65	0.75	0.33	A7
23	ML4207 - 276	2(w)	0.43	0.53	0.33	D2
24	ML4207 - 186	2(x)	0.42	0.52	0.33	D2
25	ML4208 - 30	2(a)	0.37	0.47	0.23	A7-D2
26	ML4208 - 31	2(b)	0.37	0.47	0.23	A7-D2
27	ML4208 - 32	2(c)	0.48	0.58	0.23	A7-D2
28	ML4208 - 34	2(d)	0.57	0.67	0.23	A7-D2
29	ML4208 - 36	2(e)	0.37	0.47	0.23	A7-D2
30	ML4208 - 43	2(f)	0.97	1.07	0.23	A7-D2
31	ML4208 - 56	2(g)	0.70	0.80	0.23	A7-D2
32	ML4208 - 91	2(h)	0.48	0.58	0.23	A7-D2
33	ML4208 - 92	2(i)	0.48	0.58	0.23	A7-D2
34	ML4208 - 94	2(j)	0.35	0.45	0.23	A7-D2
35	ML4208 - 95	2(k)	0.35	0.45	0.23	A7-D2
36	ML4208 - 96	2(l)	0.35	0.45	0.23	A7-D2

**TABLE 1(a) - TYPE VARIANTS (CONT'D)**

(1) VARIANT	(2) BASED ON TYPE	(3) FIGURE	(4) TOTAL CAPACITANCE $C_T$ (pF)		(5) JUNCTION CAPACITANCE $C_J$ (pF) (Typical)	(6) BODY-LID AND LEAD MATERIAL AND FINISH
			MIN	MAX		
37	ML4208 - 97	2(m)	0.35	0.45	0.23	A7-D2
38	ML4208 - 101	2(n)	0.67	0.77	0.23	A7-D2
39	ML4208 - 103	2(o)	0.48	0.58	0.23	A7-D2
40	ML4208 - 118	2(p)	0.42	0.52	0.23	A7
41	ML4208 - 120	2(q)	0.33	0.43	0.23	D2
42	ML4208 - 128	2(r)	0.43	0.53	0.23	A7-D2
43	ML4208 - 138	2(s)	0.38	0.48	0.23	A7
44	ML4208 - 148	2(t)	0.46	0.56	0.23	A7
45	ML4208 - 255	2(u)	0.47	0.57	0.23	A7
46	ML4208 - 275	2(v)	0.55	0.65	0.23	A7
47	ML4208 - 276	2(w)	0.33	0.43	0.23	D2
48	ML4208 - 186	2(x)	0.32	0.42	0.23	D2
49	ML4209 - 30	2(a)	0.27	0.37	0.13	A7-D2
50	ML4209 - 31	2(b)	0.27	0.37	0.13	A7-D2
51	ML4209 - 32	2(c)	0.38	0.48	0.13	A7-D2
52	ML4209 - 34	2(d)	0.47	0.57	0.13	A7-D2
53	ML4209 - 36	2(e)	0.27	0.37	0.13	A7-D2
54	ML4209 - 43	2(f)	0.87	0.97	0.13	A7-D2
55	ML4209 - 56	2(g)	0.60	0.70	0.13	A7-D2
56	ML4209 - 91	2(h)	0.38	0.48	0.13	A7-D2
57	ML4209 - 92	2(i)	0.38	0.48	0.13	A7-D2
58	ML4209 - 94	2(j)	0.25	0.35	0.13	A7-D2
59	ML4209 - 95	2(k)	0.25	0.35	0.13	A7-D2
60	ML4209 - 96	2(l)	0.25	0.35	0.13	A7-D2
61	ML4209 - 97	2(m)	0.25	0.35	0.13	A7-D2
62	ML4209 - 101	2(n)	0.57	0.67	0.13	A7-D2
63	ML4209 - 103	2(o)	0.38	0.48	0.13	A7-D2
64	ML4209 - 118	2(p)	0.32	0.42	0.13	A7
65	ML4209 - 120	2(q)	0.23	0.33	0.13	D2
66	ML4209 - 128	2(r)	0.33	0.43	0.13	A7-D2
67	ML4209 - 138	2(s)	0.28	0.38	0.13	A7
68	ML4209 - 148	2(t)	0.36	0.46	0.13	A7
69	ML4209 - 255	2(u)	0.37	0.47	0.13	A7
70	ML4209 - 275	2(v)	0.45	0.55	0.13	A7
71	ML4209 - 276	2(w)	0.23	0.33	0.13	D2
72	ML4209 - 186	2(x)	0.22	0.32	0.13	D2

**TABLE 1(b) - MAXIMUM RATINGS**

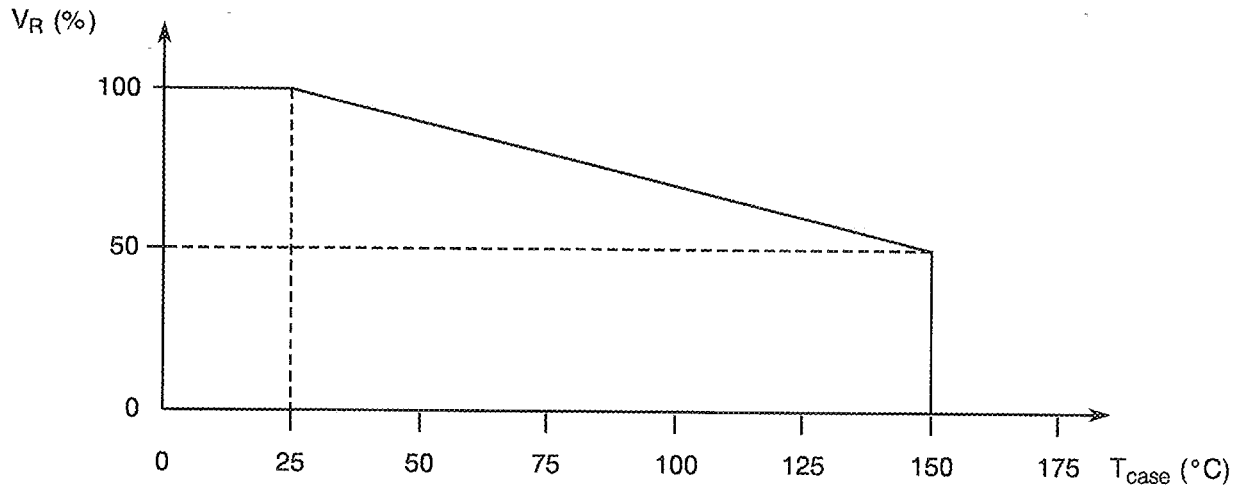
No.	CHARACTERISTIC	SYMBOL	MAXIMUM RATINGS	UNIT	REMARKS
1	D.C. Reverse Voltage	$V_R$	- 50	V	Note 1
2	D.C. Forward Current (Continuous)	$I_F$	50	mA	Note 2
3	R.F. Power Dissipation Variants 01 to 23 Variant 24 Variants 25 to 47 Variant 48 Variants 49 to 71 Variant 72	$P_{tot}$	1.6 0.53 1.3 0.50 1.1 0.47	W	Note 1
4	Operating Temperature Range	$T_{op}$	- 65 to + 150	°C	$T_{case}$
5	Storage Temperature Range	$T_{stg}$	- 65 to + 150	°C	
6	Soldering Temperature	$T_{sol}$	+ 230	°C	Note 3

**NOTES**

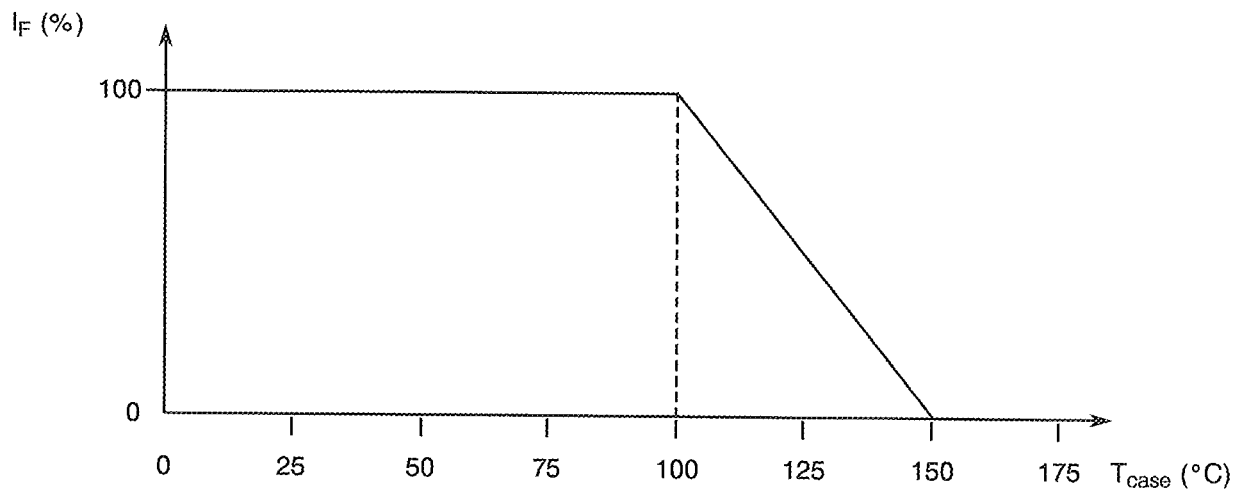
1. At  $T_{case} = +25^{\circ}C$ . For derating at  $T_{case} > +25^{\circ}C$ , see Figure 1.
2. At  $T_{case} = +100^{\circ}C$ . For derating at  $T_{case} > +100^{\circ}C$ , see Figure 1.
3. Duration 5 seconds maximum (at a distance of not less than 1.5mm from the body for Variants 23, 24, 47, 48, 71 and 72) and the same termination shall not be resoldered until 3 minutes have elapsed.



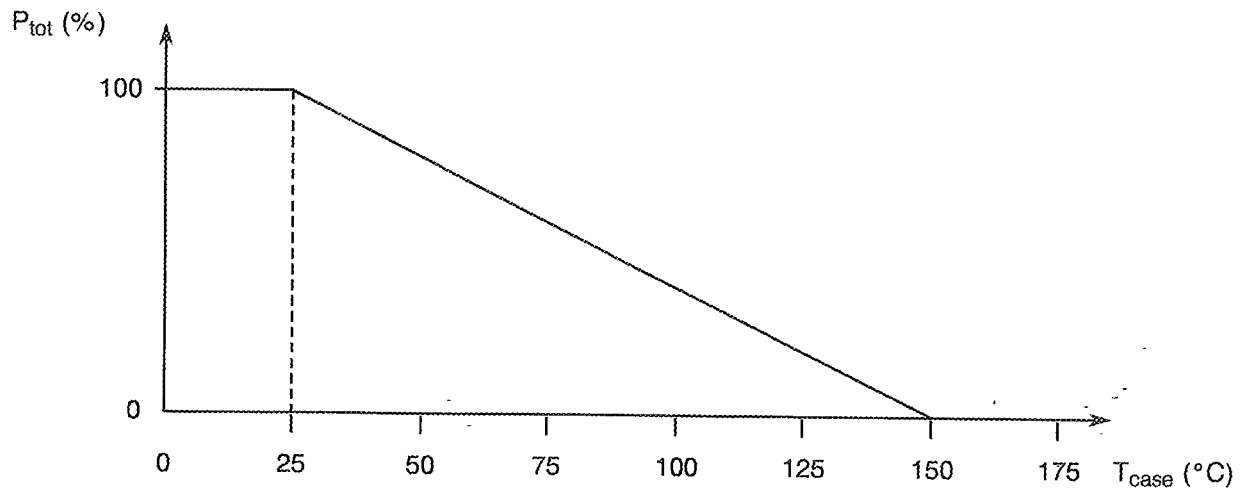
**FIGURE 1 - PARAMETER DERATING INFORMATION**



Reverse Voltage versus Temperature



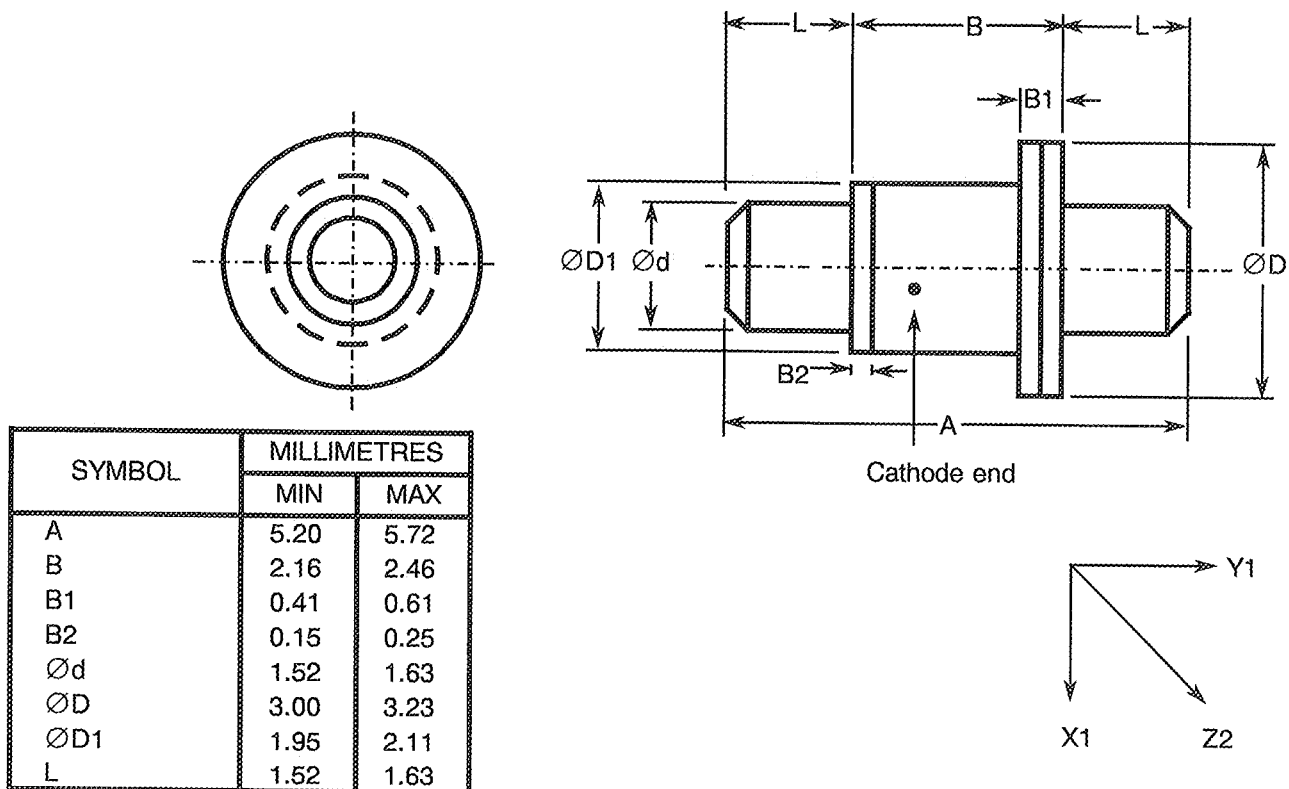
Forward Current versus Temperature



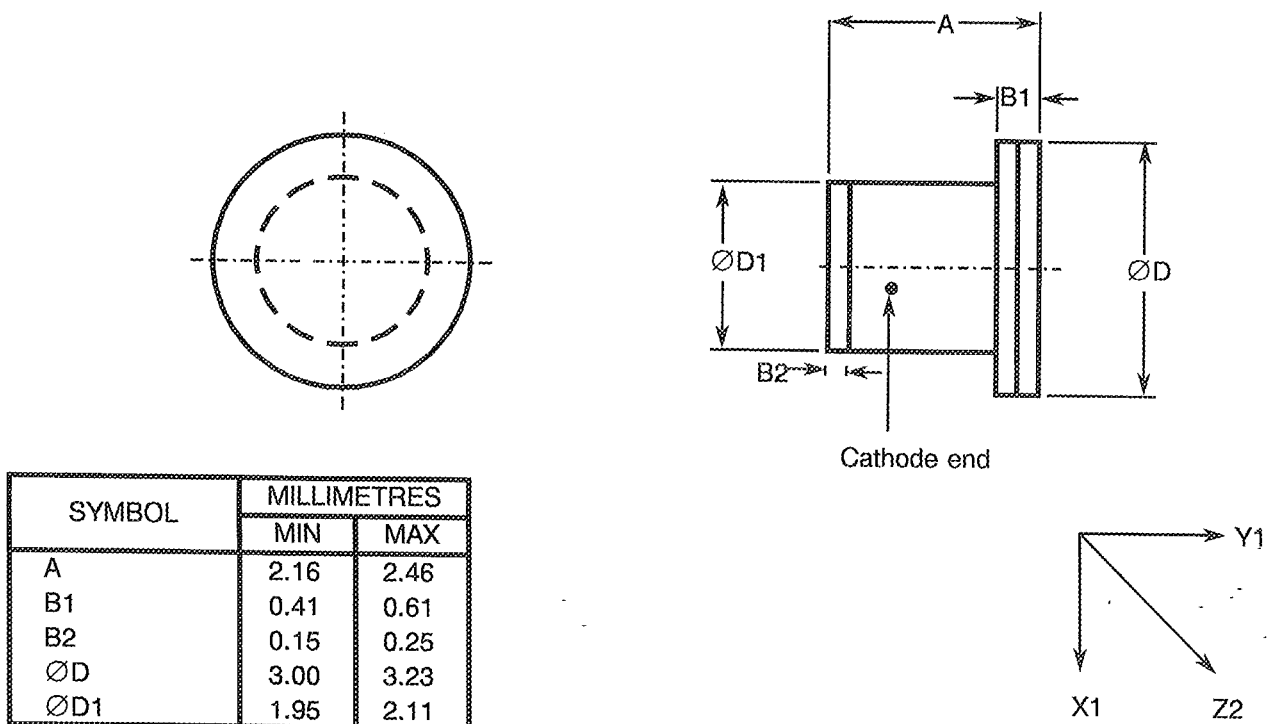
Power Dissipation versus Temperature

**FIGURE 2 - PHYSICAL DIMENSIONS**

**FIGURE 2(a) - VARIANTS 01, 25, 49**

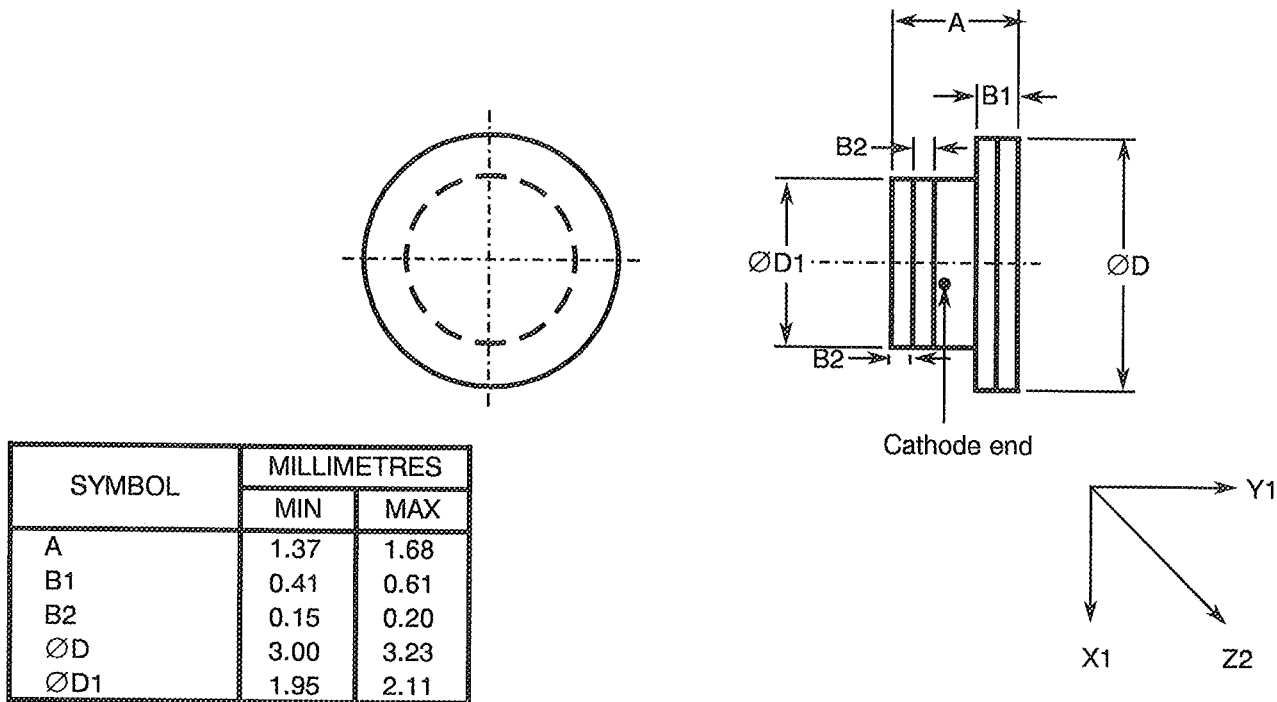


**FIGURE 2(b) - VARIANTS 02, 26, 50**

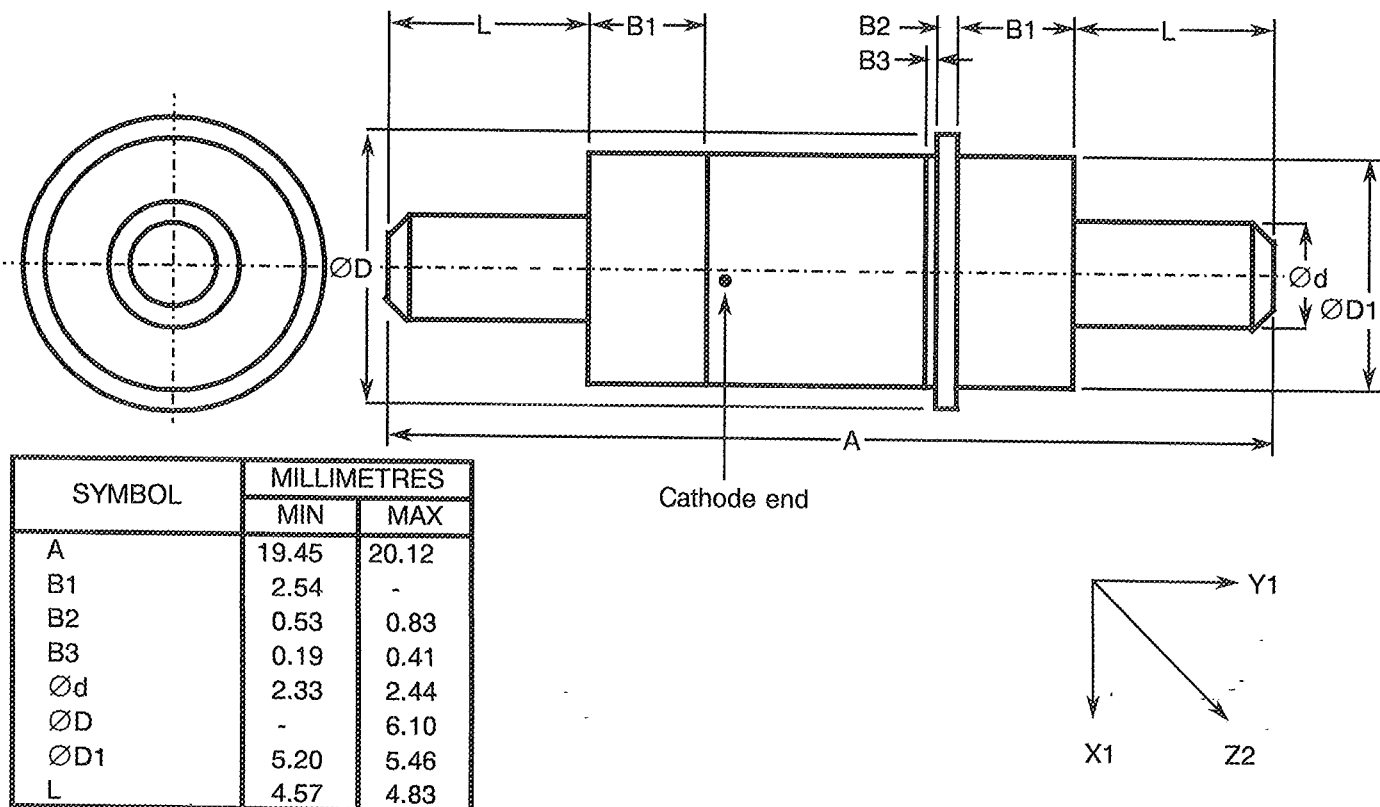


**FIGURE 2 - PHYSICAL DIMENSIONS (CONTINUED)**

**FIGURE 2(c) - VARIANTS 03, 27, 51**

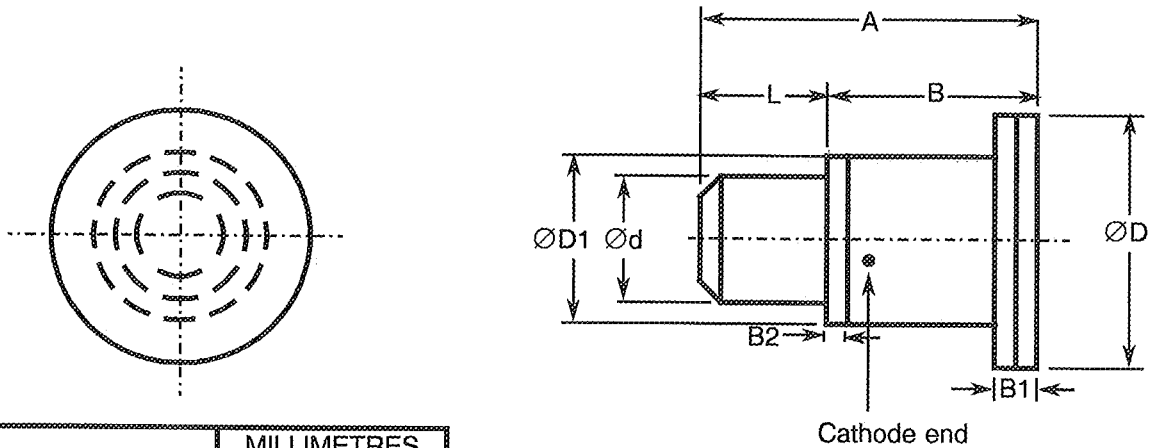


**FIGURE 2(d) - VARIANTS 04, 28, 52**

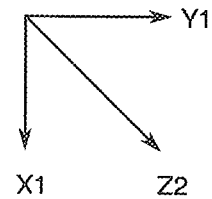


**FIGURE 2 - PHYSICAL DIMENSIONS (CONTINUED)**

**FIGURE 2(e) - VARIANTS 05, 29, 53**

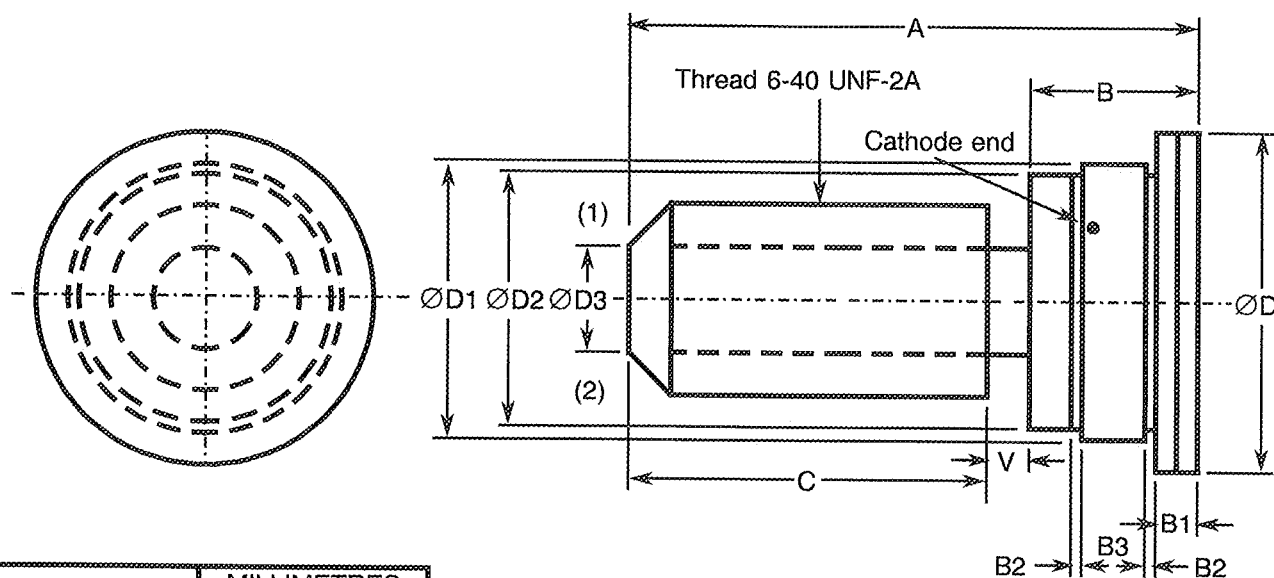


SYMBOL	MILLIMETRES	
	MIN	MAX
A	3.60	4.18
B	2.16	2.46
B1	0.41	0.61
B2	0.15	0.25
$\varnothing d$	1.52	1.63
$\varnothing D$	3.00	3.23
$\varnothing D1$	1.95	2.11
L	1.52	1.63



**FIGURE 2 - PHYSICAL DIMENSIONS (CONTINUED)**

**FIGURE 2(f) - VARIANTS 06, 30, 54**



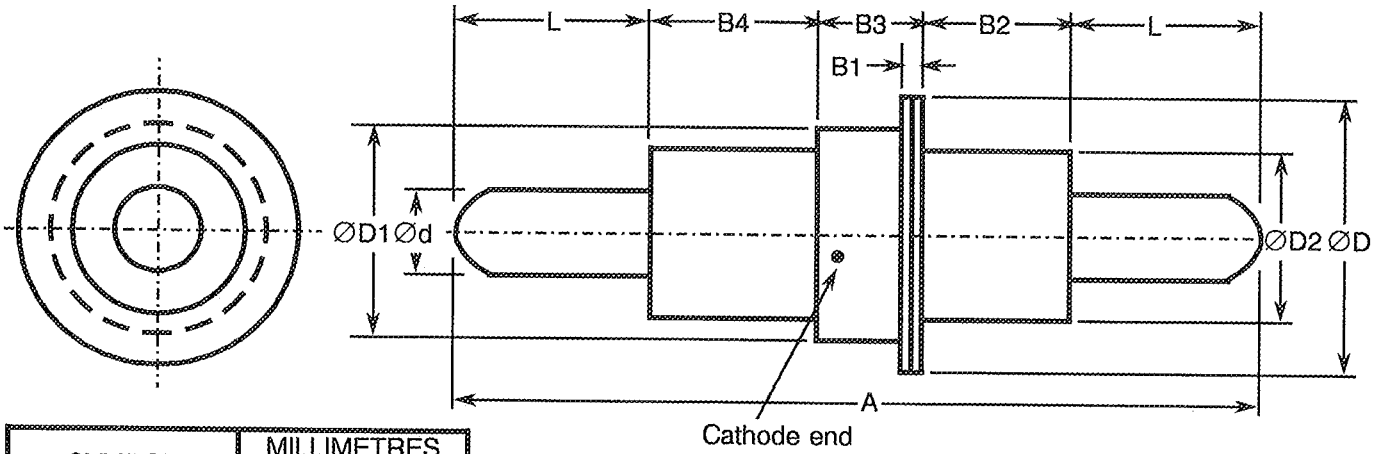
SYMBOL	MILLIMETRES	
	MIN	MAX
A	11.18	11.68
B	3.02	3.66
B1	0.64	0.89
B2	0.18	0.23
B3	1.17	1.27
C	6.50	7.90
∅D	6.48	6.73
∅D1	5.20	5.50
∅D2	4.80	5.20
∅D3	2.00	2.70
V	0.76	1.02

**NOTES**

1. Spline socket to fit spline key 1.78mm deep.
2. 0.51mm x 45°.

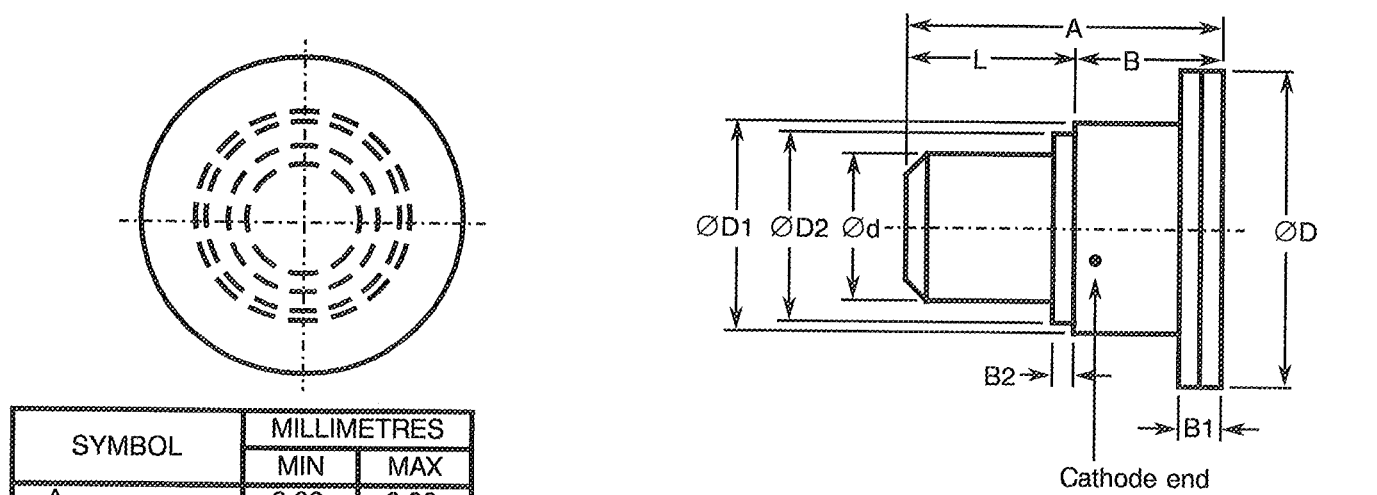
**FIGURE 2 - PHYSICAL DIMENSIONS (CONTINUED)**

**FIGURE 2(g) - VARIANTS 07, 31, 55**



SYMBOL	MILLIMETRES	
	MIN	MAX
A	19.46	20.12
B1	-	0.76
B2	3.00	3.60
B3	2.41	2.67
B4	3.68	3.94
Ød	2.33	2.39
ØD	-	6.10
ØD1	4.72	4.83
ØD2	3.81	4.19
L	4.57	4.83

**FIGURE 2(h) - VARIANTS 08, 32, 56**



SYMBOL	MILLIMETRES	
	MIN	MAX
A	2.92	3.28
B	1.40	1.65
B1	0.41	0.61
B2	0.15	0.20
Ød	1.52	1.63
ØD	3.00	3.23
ØD1	1.95	2.11
ØD2	1.85	2.03
L	1.52	1.63

**FIGURE 2 - PHYSICAL DIMENSIONS (CONTINUED)**

FIGURE 2(i) - VARIANTS 09, 33, 57

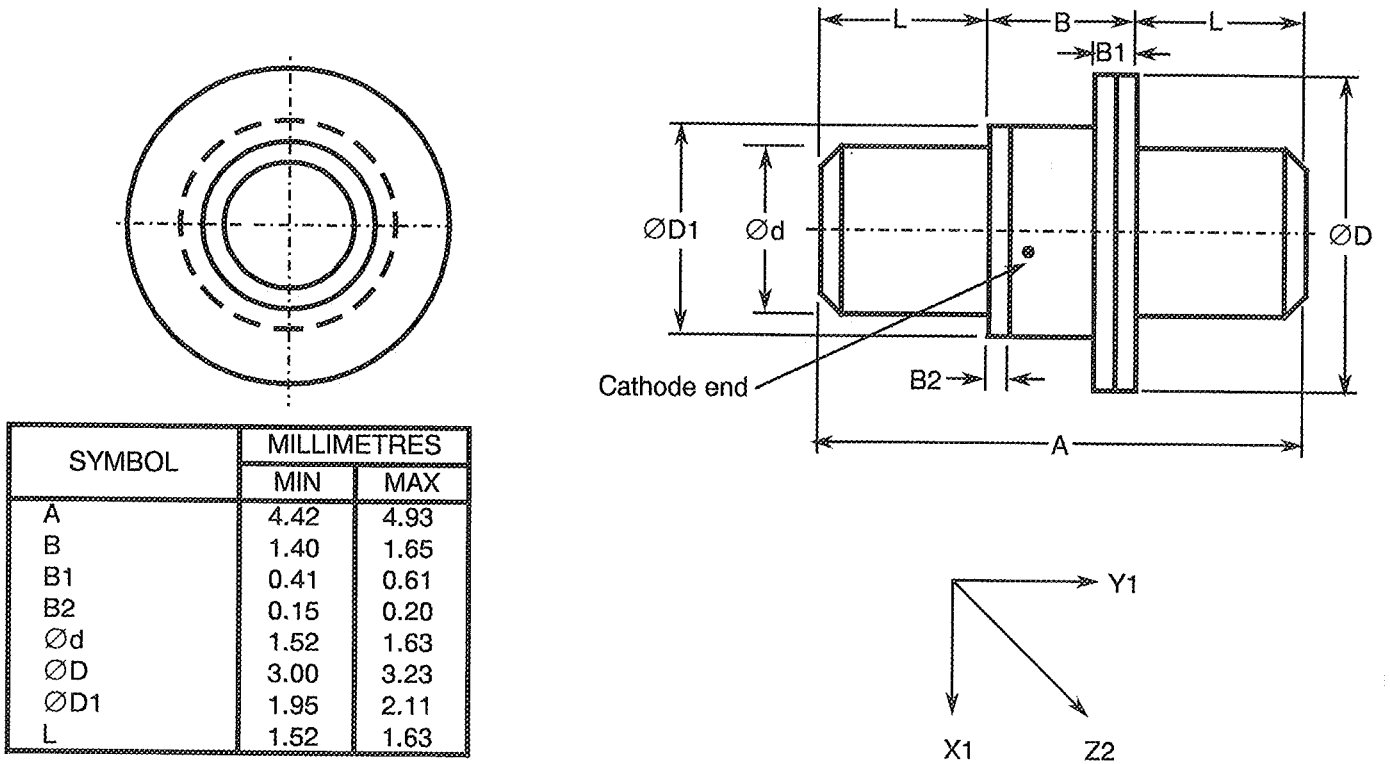
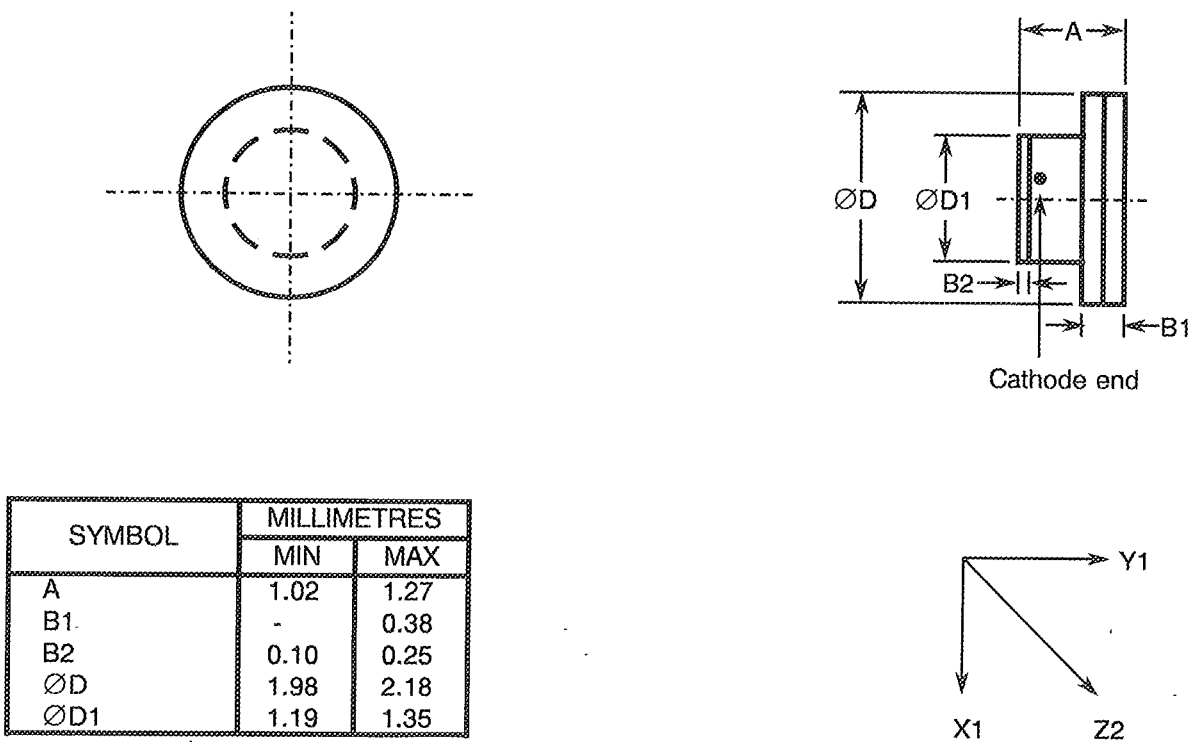
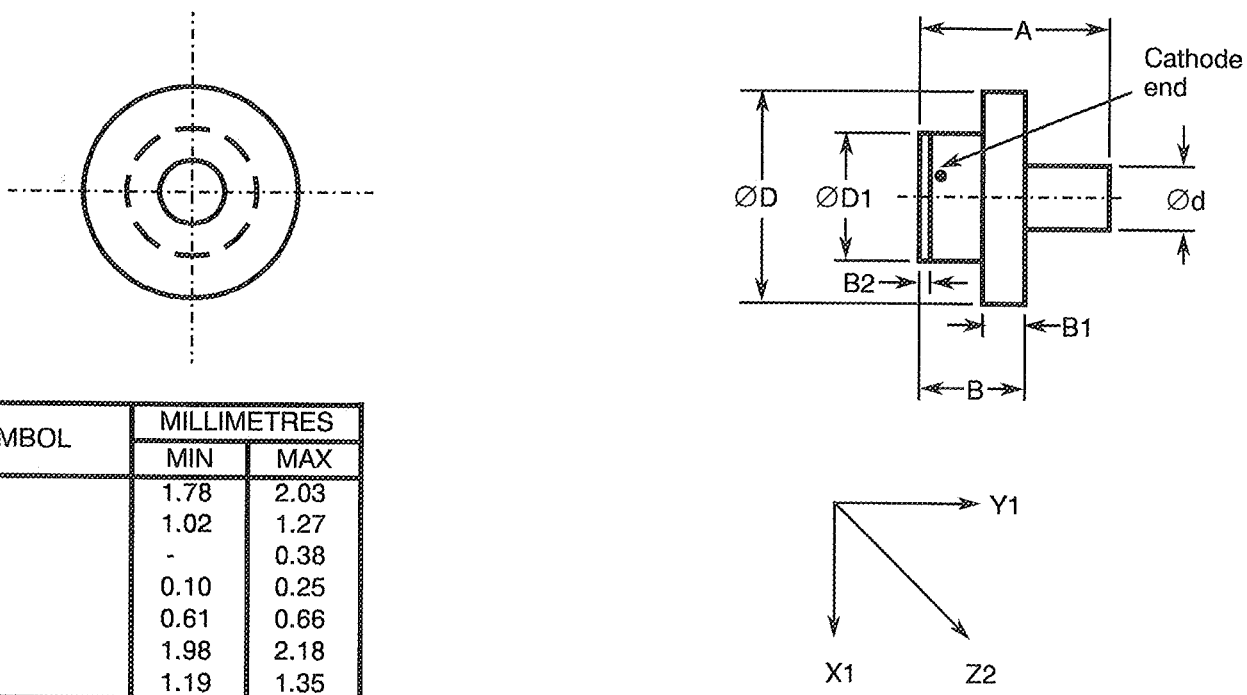


FIGURE 2(j) - VARIANTS 10, 34, 58



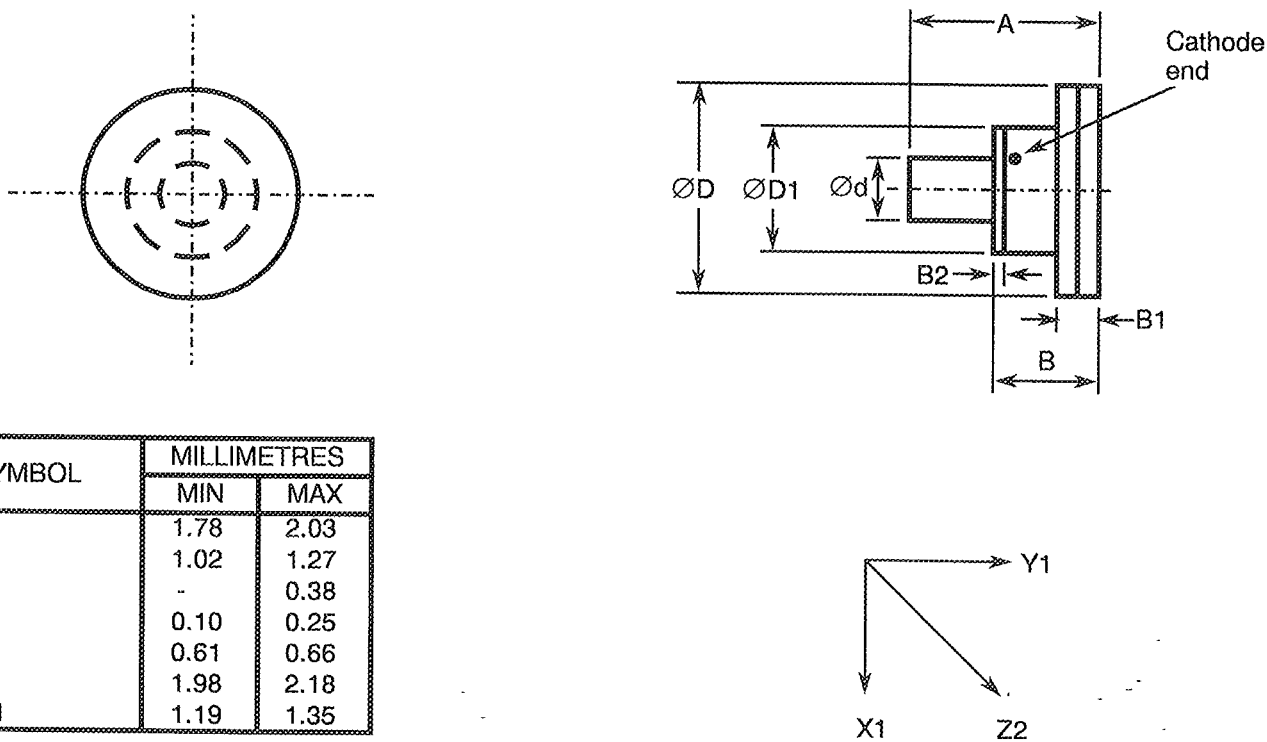
**FIGURE 2 - PHYSICAL DIMENSIONS (CONTINUED)**

**FIGURE 2(k) - VARIANTS 11, 35, 59**



SYMBOL	MILLIMETRES	
	MIN	MAX
A	1.78	2.03
B	1.02	1.27
B1	-	0.38
B2	0.10	0.25
Ød	0.61	0.66
ØD	1.98	2.18
ØD1	1.19	1.35

**FIGURE 2(l) - VARIANTS 12, 36, 60**

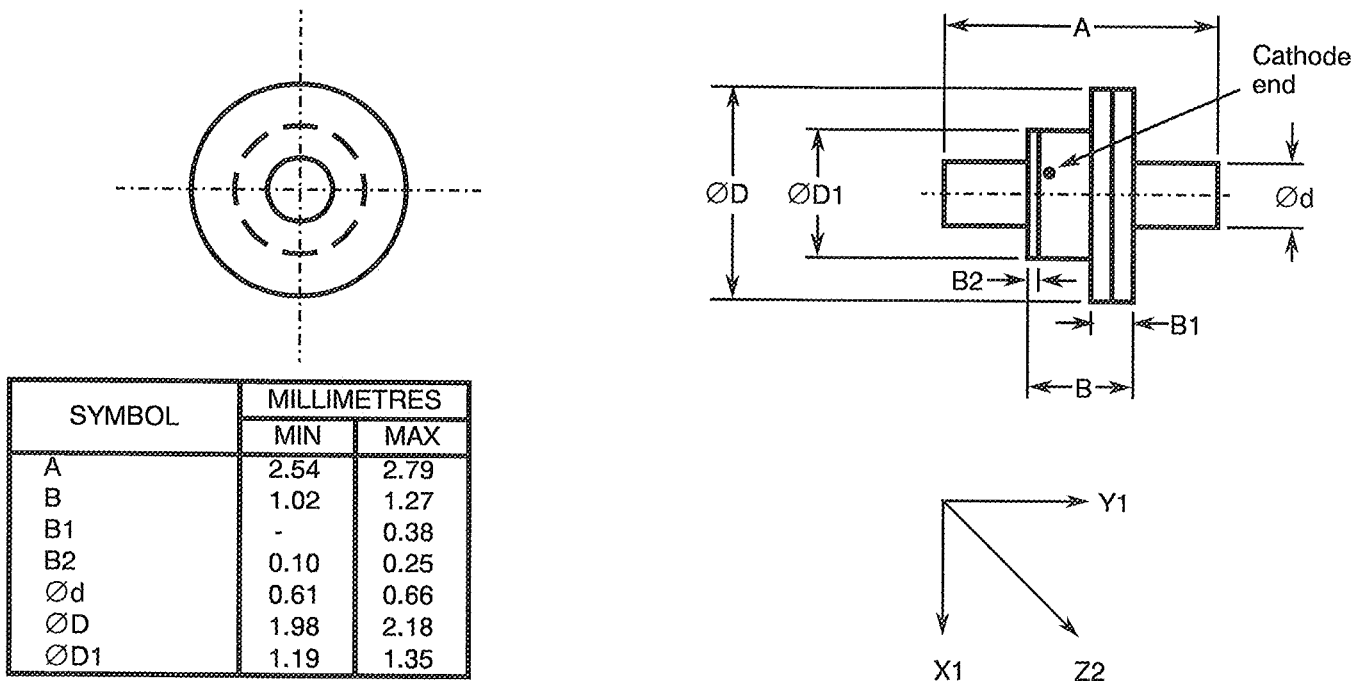


SYMBOL	MILLIMETRES	
	MIN	MAX
A	1.78	2.03
B	1.02	1.27
B1	-	0.38
B2	0.10	0.25
Ød	0.61	0.66
ØD	1.98	2.18
ØD1	1.19	1.35

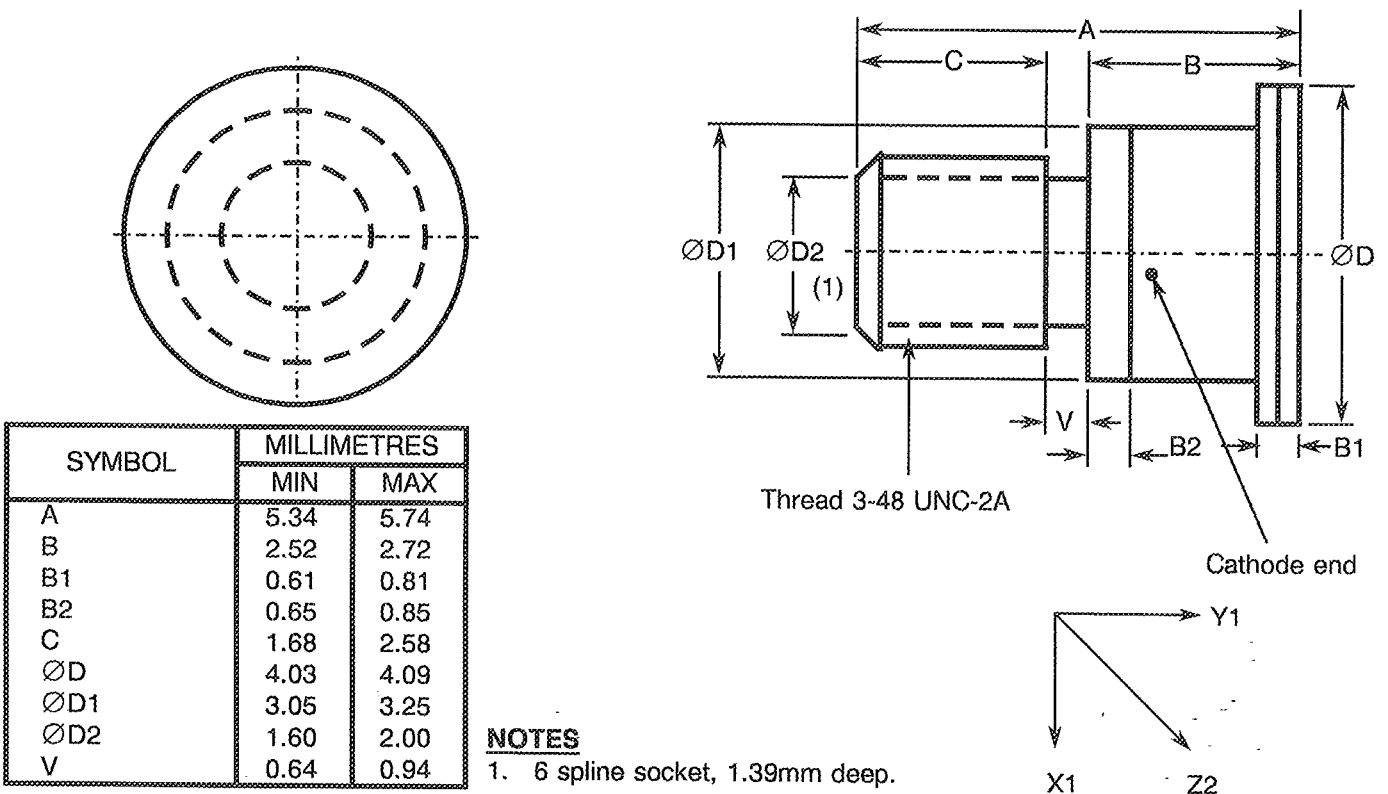


**FIGURE 2 - PHYSICAL DIMENSIONS (CONTINUED)**

**FIGURE 2(m) - VARIANTS 13, 37, 61**



**FIGURE 2(n) - VARIANTS 14, 38, 62**

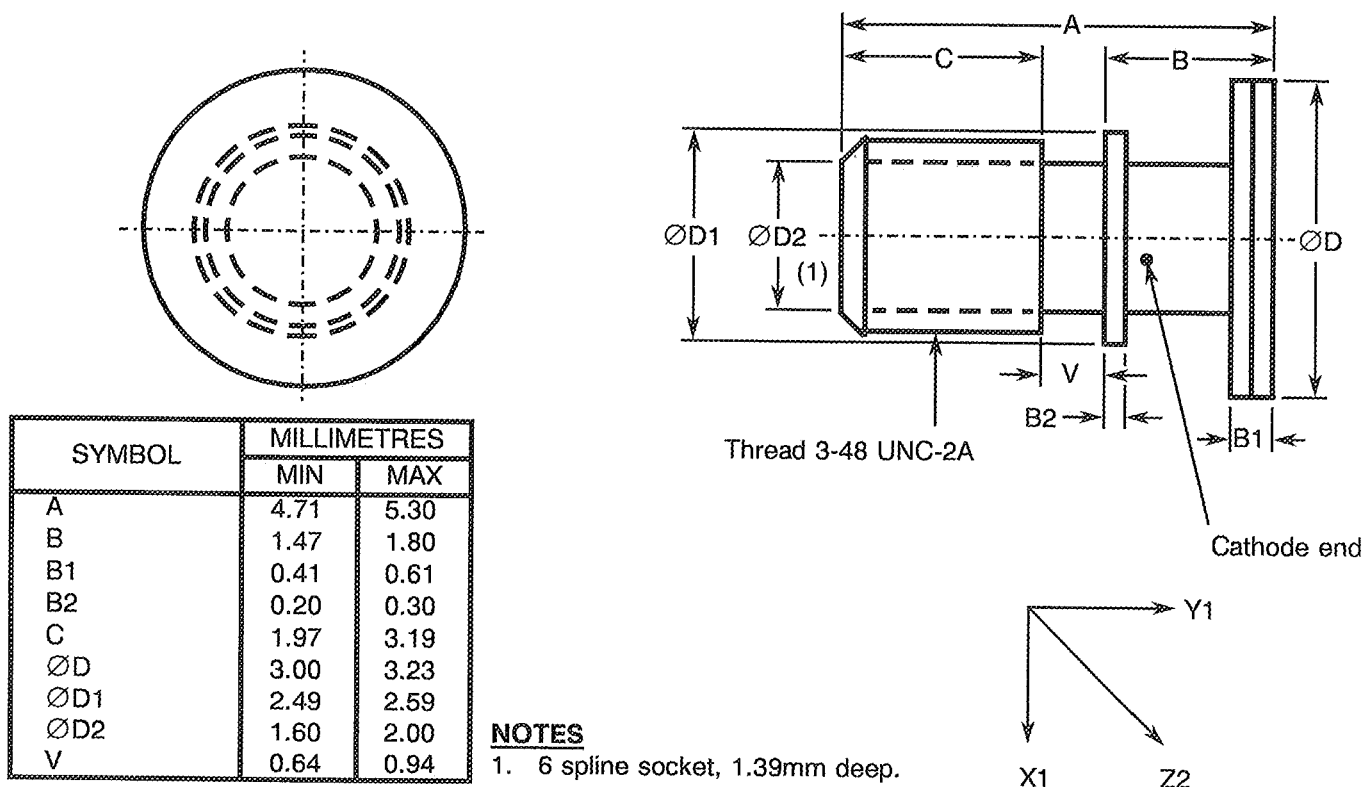


**NOTES**

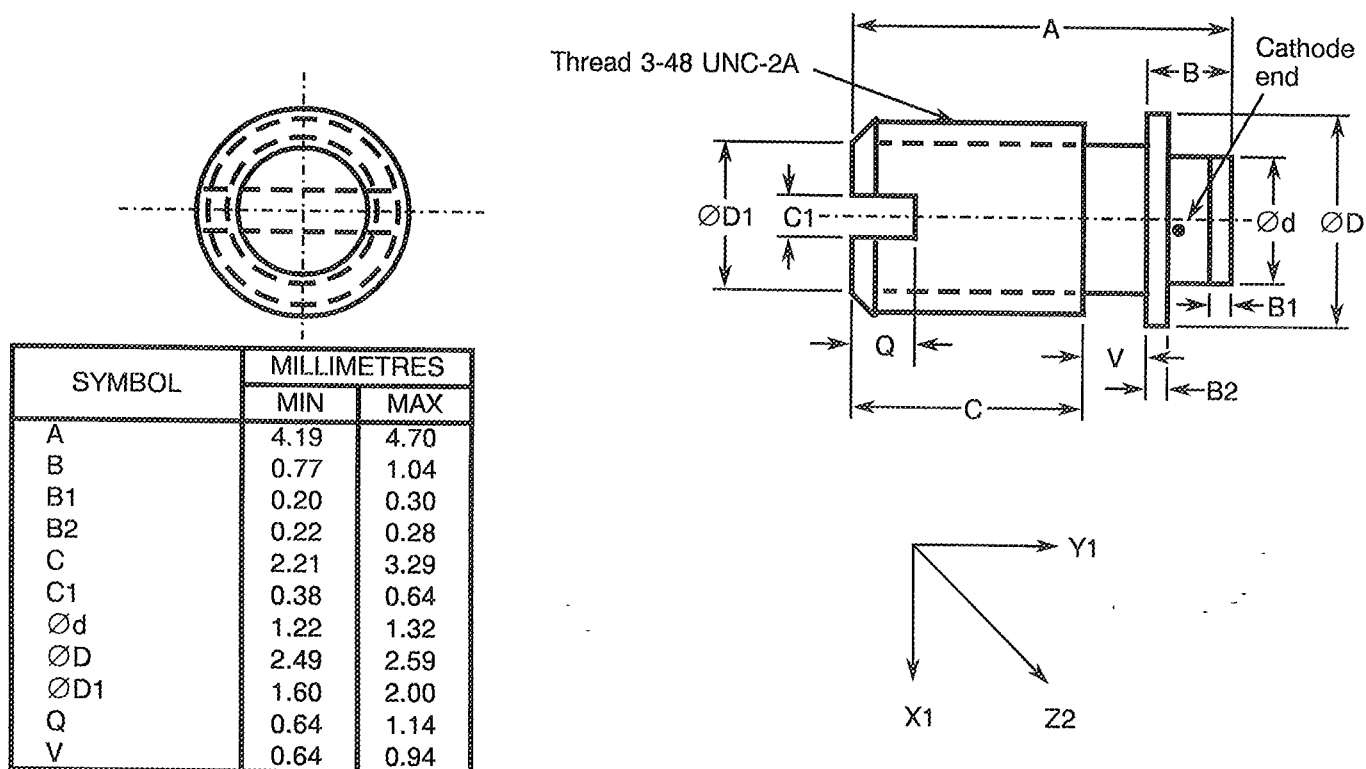
1. 6 spline socket, 1.39mm deep.

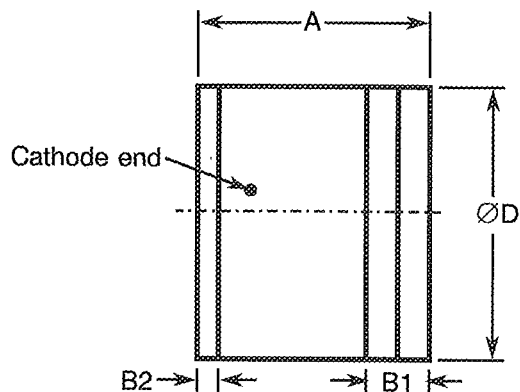
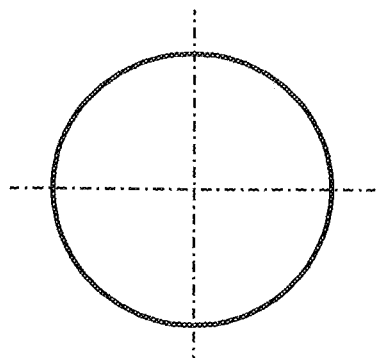
**FIGURE 2 - PHYSICAL DIMENSIONS (CONTINUED)**

**FIGURE 2(o) - VARIANTS 15, 39, 63**

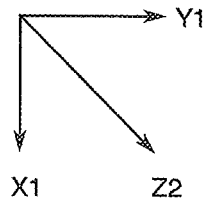
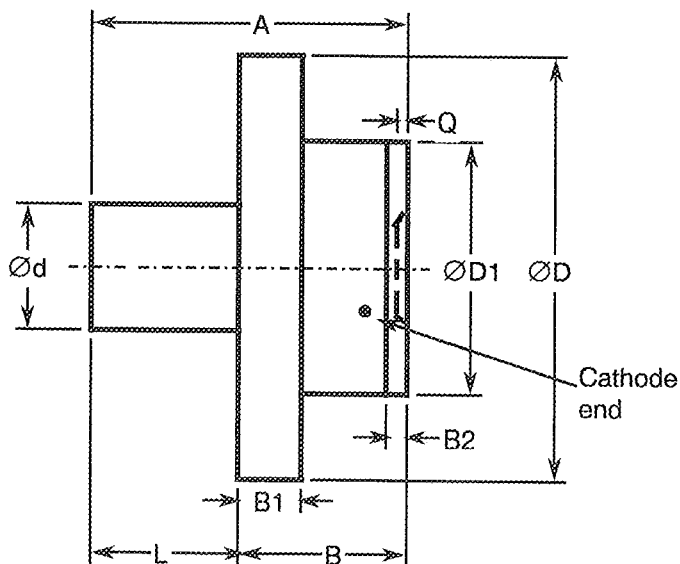
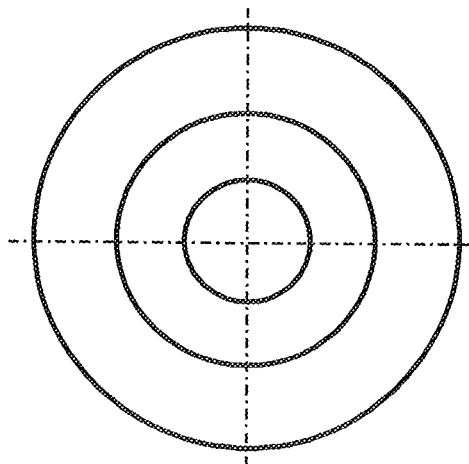


**FIGURE 2(p) - VARIANTS 16, 40, 64**

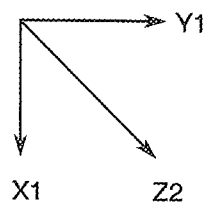


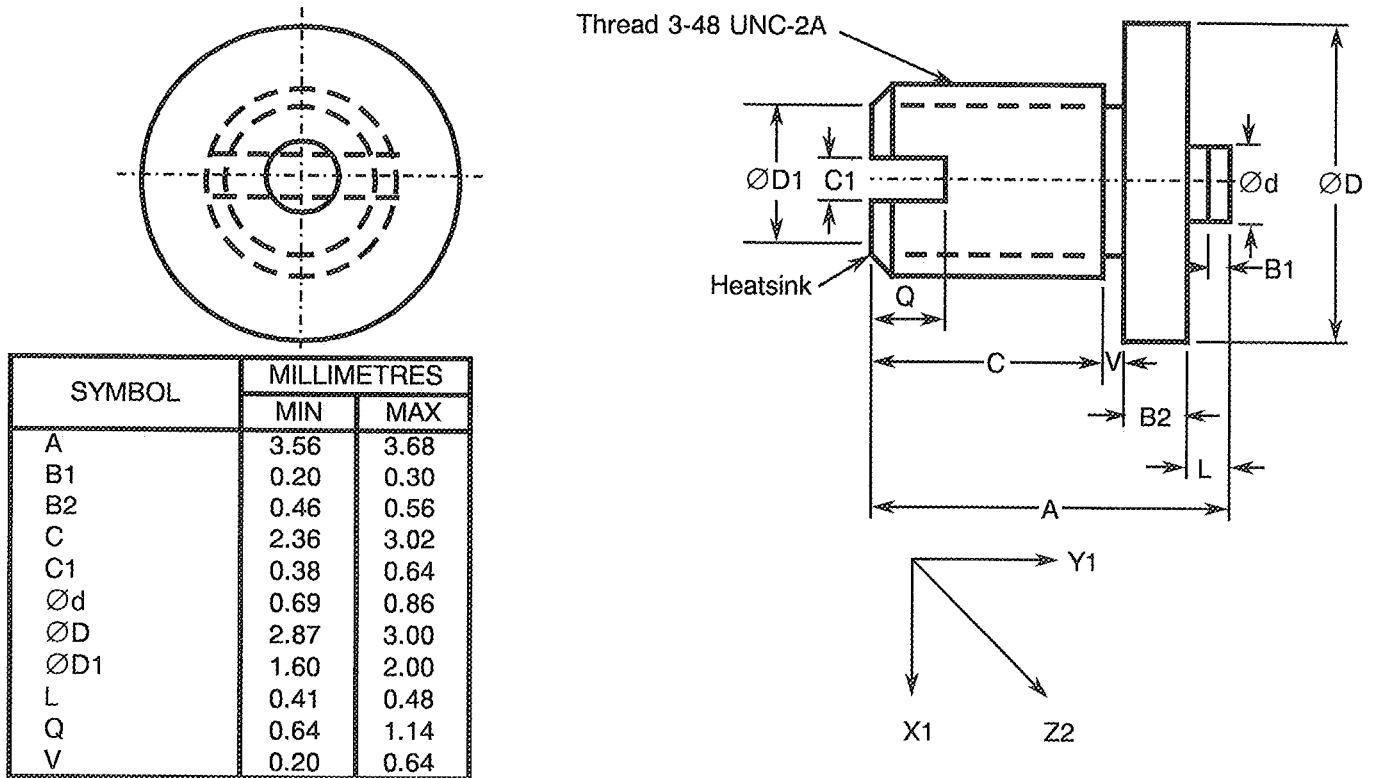
**FIGURE 2 - PHYSICAL DIMENSIONS (CONTINUED)**
**FIGURE 2(g) - VARIANTS 17, 41, 65**


SYMBOL	MILLIMETRES	
	MIN	MAX
A	1.02	1.27
B1	0.23	0.33
B2	0.10	0.15
ØD	1.29	1.40

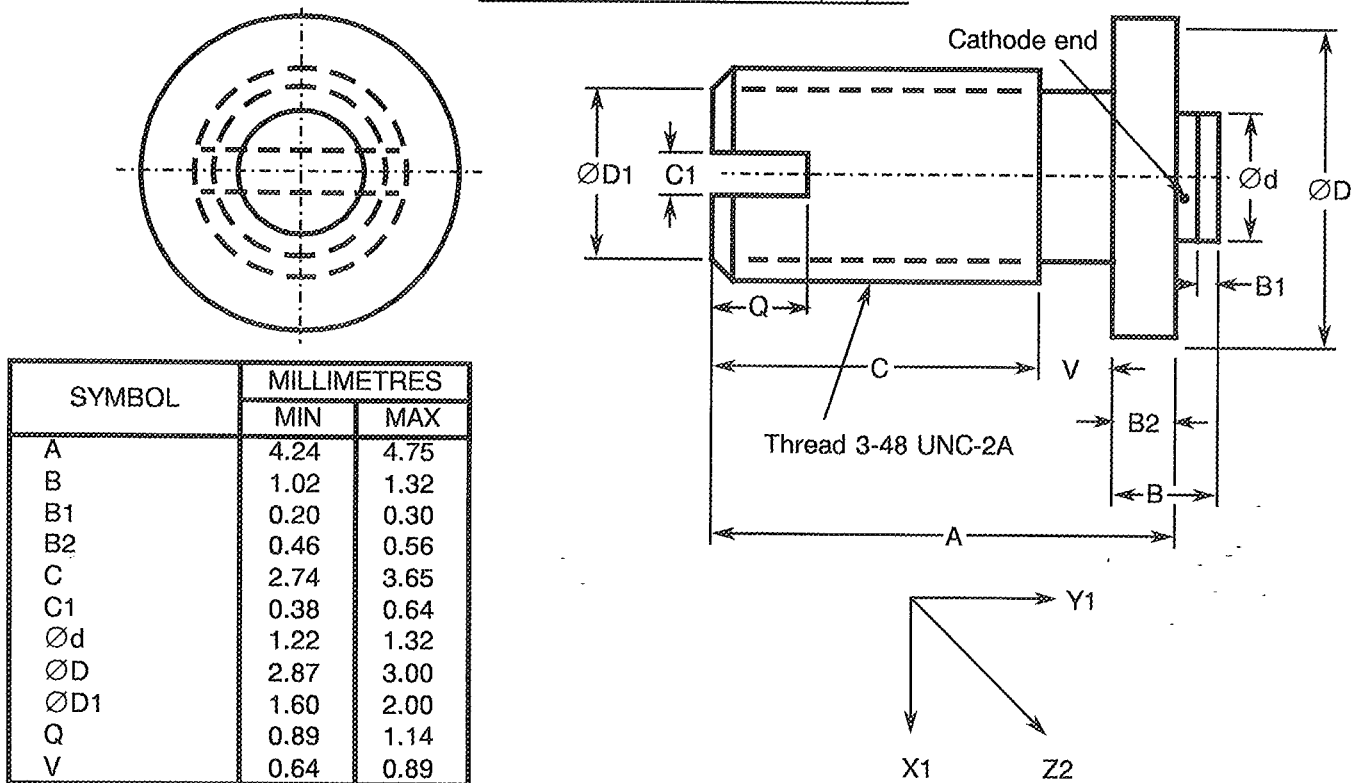

**FIGURE 2(r) - VARIANTS 18, 42, 66**


SYMBOL	MILLIMETRES	
	MIN	MAX
A	1.384	1.715
B	0.749	0.826
B1	0.025	0.038
B2	0.05	0.18
Ød	0.56	0.71
ØD	1.96	2.11
ØD1	1.19	1.35
Q	0.038	0.076
L	0.558	0.996



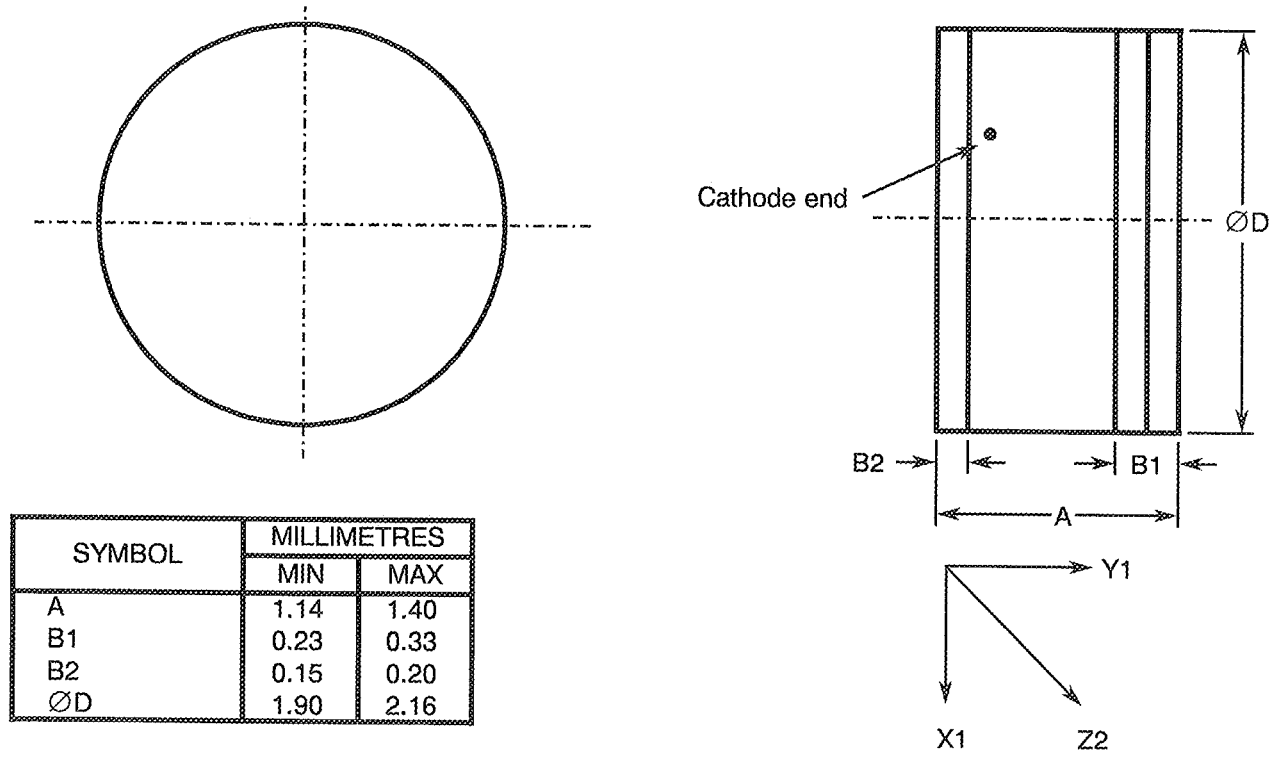
**FIGURE 2 - PHYSICAL DIMENSIONS (CONTINUED)**
**FIGURE 2(s) - VARIANTS 19, 43, 67**


**NOTES** 1. Due to its very small size, not even the cathode identification will be marked on this package (see Para. 4.5.1).

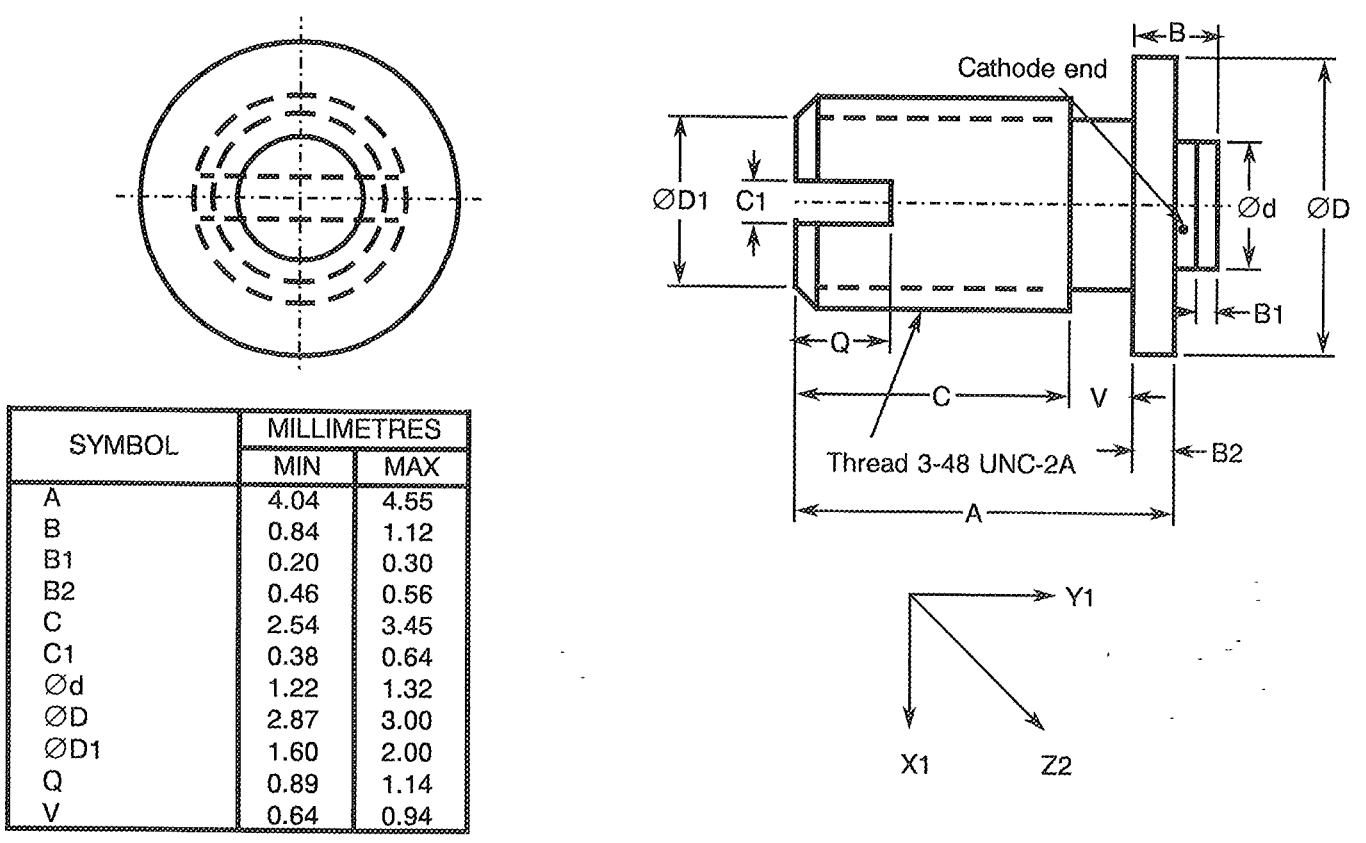
**FIGURE 2(t) - VARIANTS 20, 44, 68**


**FIGURE 2 - PHYSICAL DIMENSIONS (CONTINUED)**

**FIGURE 2(u) - VARIANTS 21, 45, 69**

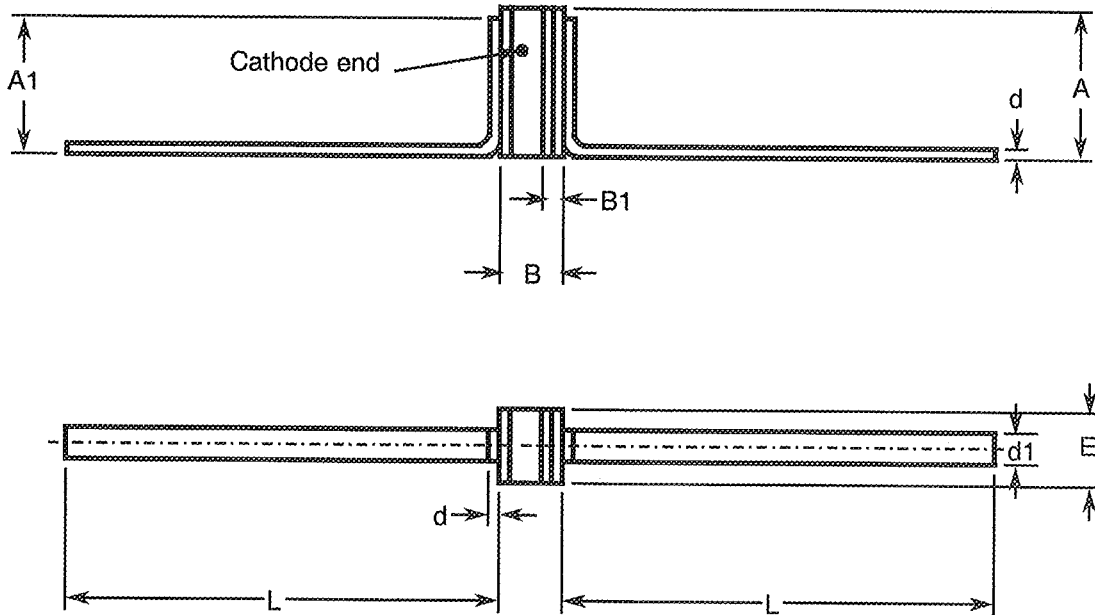


**FIGURE 2(v) - VARIANTS 22, 46, 70**

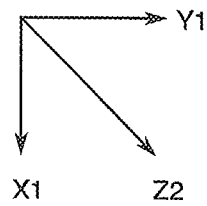


**FIGURE 2 - PHYSICAL DIMENSIONS (CONTINUED)**

**FIGURE 2(w) - VARIANTS 23, 47, 71**

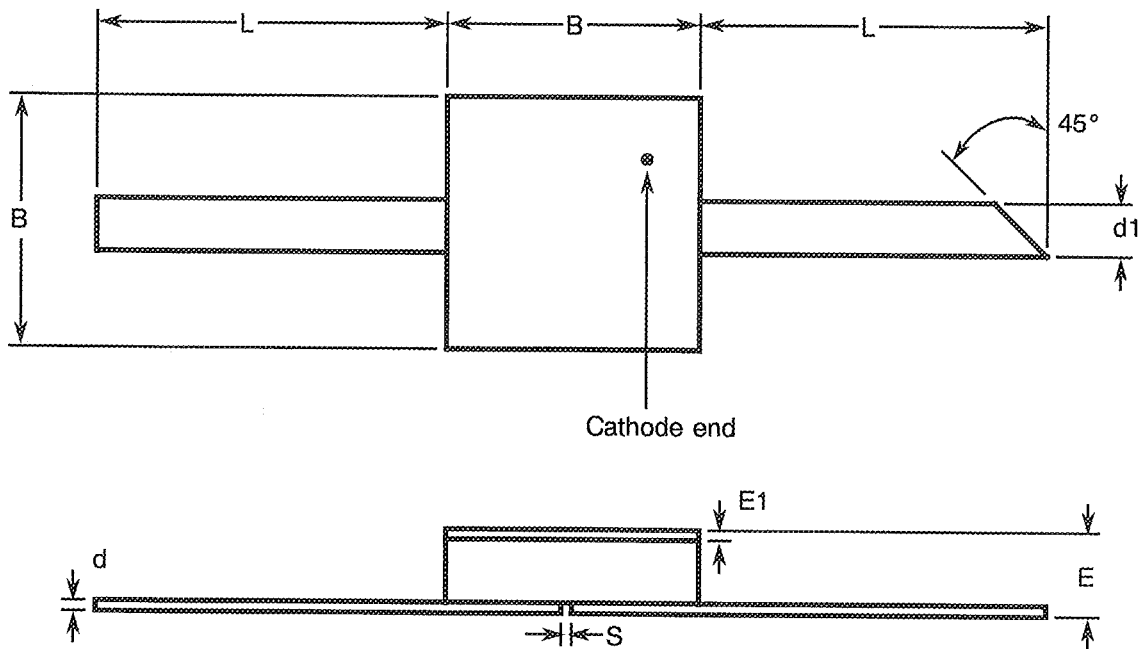


SYMBOL	MILLIMETRES	
	MIN	MAX
A	1.35	2.54
A1	-	2.46
B	1.02	1.27
B1	-	0.38
d	0.07	0.15
d1	0.38	0.64
E	1.29	1.40
L	6.10	12.40

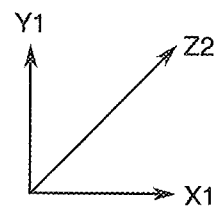


**FIGURE 2 - PHYSICAL DIMENSIONS (CONTINUED)**

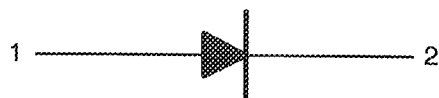
**FIGURE 2(x) - VARIANTS 24, 48, 72**



SYMBOL	MILLIMETRES	
	MIN	MAX
B	2.39	2.62
d	0.07	0.15
d1	0.48	0.56
E	0.79	1.12
E1	0.10	0.18
L	3.30	5.84
S	0.10	-





**FIGURE 3 - FUNCTIONAL DIAGRAM**



- 1. Anode
- 2. Cathode

**NOTES**

1. The cathode end shall be marked with a black dot or band. The marking will not be on the cathode connection but adjacent to it.
2. The heatsink end shall be the same as the cathode end.

		<p style="text-align: center;">ESA/SCC Detail Specification No. 5513/007</p>	<p style="text-align: center;">Rev. 'A'</p>	<p style="text-align: right;">PAGE 24 ISSUE 1</p>
--	--	--	---	---

#### 4. REQUIREMENTS

##### 4.1 GENERAL

The complete requirements for procurement of the diodes specified herein shall be as stated in this specification and ESA/SCC Generic Specification No. 5010 for Discrete Microwave Semiconductor Components. Deviations from the Generic Specification applicable to this specification only, are listed in Para. 4.2.

Deviations from the applicable Generic Specification and this Detail Specification, formally agreed with specific Manufacturers on the basis that the alternative requirements are equivalent to the ESA/SCC requirements and do not affect the components' reliability, are listed in the appendices attached to this specification.

##### 4.2 DEVIATIONS FROM GENERIC SPECIFICATION

###### 4.2.1 Deviations from Special In-process Controls

- (a) Para. 5.2.3, Total Dose Irradiation Testing: Shall be performed during qualification and extension of qualification.
- (b) Para. 5.2.3, Total Dose Irradiation Testing: Shall be performed during procurement on a lot acceptance basis at the total dose irradiation level specified in the purchase order.
- (c) Para. 5.3, Wafer Lot Acceptance: Shall be performed as an S.E.M. Inspection only.

###### 4.2.2 Deviations from Final Production Tests (Chart II(b))

- (a) Para. 6.3, Pre-burn-in: Shall be performed in accordance with Para. 9.21(a).
- (b) Para. 9.1, Internal Visual Inspection: For Variants 19, 43 and 67, the 3 devices prepared for the Bond Strength Test shall be exempt from the maximum height of bond wire above die requirement.
- (c) Para. 9.2.1, Bond Strength: For Variants 19, 43 and 67, 3 devices shall have bonds which are long enough to permit this test to be performed.
- (d) Para. 9.2.2, Die Shear: Shall not be performed for Variants 19, 43 and 67 and no additional thermal tests shall be performed to replace this test.

###### 4.2.3 Deviations from Burn-in and Electrical Measurements (Chart III(a))

- (a) Para. 9.2, High Temperature Reverse Bias Burn-in: Shall be performed at 50% of rated  $V_R$ .

###### 4.2.4 Deviations from Qualification Tests (Chart IV)

- (a) Para. 9.2.3, Bond Strength: Shall not be performed for Variants 19, 43 and 67.
- (b) Para. 9.2.4, Die Shear: Shall not be performed for Variants 19, 43 and 67 for which thermal resistance measurements shall be performed in accordance with Table 2 of this specification.
- (c) Para. 9.23, Special Testing: Shall not be performed.

###### 4.2.5 Deviations from Lot Acceptance Tests (Chart V)

- (a) Para. 9.23, Special Testing: Shall not be performed.





### 4.3 MECHANICAL AND ENVIRONMENTAL REQUIREMENTS

#### 4.3.1 Dimension Check

The dimensions of the diodes specified herein shall be checked. They shall conform to those shown in Figure 2.

#### 4.3.2 Weight

The maximum weight of the diodes specified herein shall be:

Variant No.	Weight (g)
01, 25, 49	0.12
02, 26, 50	0.06
03, 27, 51	0.08
04, 28, 52	2.14
05, 29, 53	0.10
06, 30, 54	1.10
07, 31, 55	1.80
08, 32, 56	0.11
09, 33, 57	0.13
10, 34, 58	0.013
11, 35, 59	0.015
12, 36, 60	0.015

Variant No.	Weight (g)
13, 37, 61	0.022
14, 38, 62	0.24
15, 39, 63	0.14
16, 40, 64	0.14
17, 41, 65	0.014
18, 42, 66	0.12
19, 43, 67	0.15
20, 44, 68	0.15
21, 45, 69	0.08
22, 46, 70	0.15
23, 47, 71	0.025
24, 48, 72	0.06

#### 4.3.3 Terminal Strength

The requirements for terminal strength testing are specified in Section 9 of ESA/SCC Generic Specification No. 5010. The test conditions shall be as follows:-

(a) **Condition: 'A' (Tension)**

Variants 23, 47 and 71:

- Force: 1.22N.
- Duration: 5 seconds.



Variants 24, 48 and 72:

- Force: 5.1N.
- Duration: 5 seconds.

(b) **Condition: 'D2' (Stud Torque)**

Variants 06, 30 and 54:

- Torque: 70mNm.
- Duration: 5 seconds.

		<p style="text-align: center;">ESA/SCC Detail Specification No. 5513/007</p>	<p style="text-align: right;">PAGE 26 ISSUE 1</p>
--	--	--	---

Variants 14, 15, 38, 39, 62 and 63:

- Torque: 56mNm.
- Duration: 5 seconds.

Variants 16, 19, 20, 22, 40, 43, 44, 46, 64, 67, 68 and 70:

- Torque: 42mNm.
- Duration: 5 seconds.

**(c) Condition: Compression**

Variants 01, 02, 03, 04, 05, 06, 07, 08, 09, 14, 15, 18, 21, 25, 26, 27, 28, 29, 30, 31, 32, 33, 38, 39, 42, 45, 49, 50, 51, 52, 53, 54, 55, 56, 57, 62, 63, 66 and 69:

- Force: 50N.
- Duration: 5 seconds.

Variants 10, 11, 12, 13, 16, 17, 20, 22, 34, 35, 36, 37, 40, 41, 44, 46, 58, 59, 60, 61, 64, 65, 68 and 70:

- Force: 10N.
- Duration: 5 seconds.

Variants 19, 43 and 67:

- Force: 5N.
- Duration: 5 seconds.

The compression test shall be performed by applying the specified force to the end-cap by means of a suitable weight applied for the specified time. On completion of the test, a visual examination shall be performed to check for damage to the end-cap or the ceramic body.

**4.4 MATERIALS AND FINISHES**

The materials and finishes shall be as specified herein. Where a definite material is not specified, a material which will enable the diodes specified herein to meet the performance requirements of this specification shall be used. Acceptance or approval of any constituent material shall not guarantee acceptance of the finished product.

**4.4.1 Case**

The case shall be hermetically sealed and have a ceramic body. The lid shall be welded or preform soldered.

**4.4.2 Lead Materials and Finish**

- (a) For Variants 01, 02, 03, 04, 05, 06, 07, 08, 09, 10, 11, 12, 13, 14, 15, 18, 25, 26, 27, 28, 29, 30, 31, 32, 33, 34, 35, 36, 37, 38, 39, 42, 49, 50, 51, 52, 53, 54, 55, 56, 57, 58, 59, 60, 61, 62, 63 and 66, the body material shall be Type 'A' with Type '7' finish and the lid material shall be Type 'D' with Type '2' finish, in accordance with the requirements of ESA/SCC Basic Specification No. 23500.
- (b) For Variants 16, 19, 20, 21, 22, 40, 43, 44, 45, 46, 64, 67, 68, 69 and 70, the lead material shall be Type 'A' with Type '7' finish in accordance with the requirements of ESA/SCC Basic Specification No. 23500.
- (c) For Variants 17, 23, 24, 41, 47, 48, 65, 71 and 72, the lead material shall be Type 'D' with Type '2' finish in accordance with the requirements of ESA/SCC Basic Specification No. 23500.

4.5 MARKING

4.5.1 General

The marking of components delivered to this specification shall be in accordance with the requirements of ESA/SCC Basic Specification No. 21700 and the following paragraphs. When the component is too small to accommodate all of the marking specified, as much as space permits shall be marked and the marking information, in full, shall accompany the component in its primary package.

The information to be marked and the order of precedence, shall be as follows:-

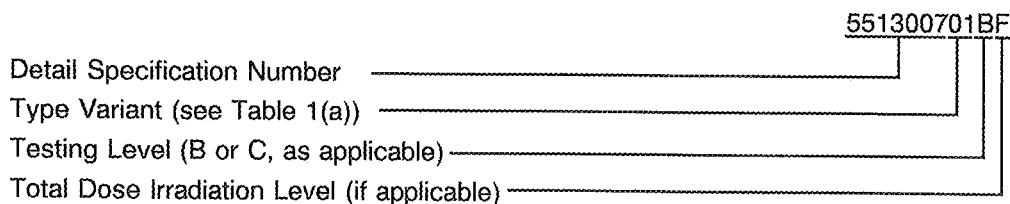
- (a) Cathode Identification.
- (b) The SCC Component Number.
- (c) Traceability Information.

4.5.2 Cathode Identification

Cathode identification shall be as shown in Figures 2 and 3 of this specification.

4.5.3 The SCC Component Number

Each component shall bear the SCC Component Number which shall be constituted and marked as follows:



The Total Dose Irradiation Level designation shall be added for those devices for which a sample has been successfully tested to the level in question. For these devices, a code letter shall be added in accordance with the requirements of ESA/SCC Basic Specification No. 22900.

4.5.4 Traceability Information

Each component shall be marked in respect of traceability information as defined in ESA/SCC Basic Specification No. 21700.

4.6 ELECTRICAL MEASUREMENTS

4.6.1 Electrical Measurements at Room Temperature



The parameters to be measured at room temperature are scheduled in Table 2. Unless otherwise specified, the measurements shall be performed at  $T_{amb} = +22 \pm 3$  °C.

4.6.2 Electrical Measurements at High and Low Temperatures

The parameters to be measured at high and low temperatures are scheduled in Table 3. Unless otherwise specified, the measurements shall be performed at  $T_{amb} = +150(+0-3)$  °C.

4.6.3 Circuits for Electrical Measurements

Circuits for use in performing electrical measurements listed in Table 2 of this specification are shown in Figure 4.

		<p>ESA/SCC Detail Specification No. 5513/007</p>	<p>Rev. 'A'</p>	<p>PAGE 28 ISSUE 1</p>
--	--	--	-----------------	----------------------------

4.7 BURN-IN TESTS

Burn-in shall be Category 2 of Chart III(a).

4.7.1 Parameter Drift Values

The parameter drift values applicable to burn-in are specified in Table 4 of this specification. Unless otherwise stated, the measurements shall be performed at  $T_{amb} = +22 \pm 3$  °C. The parameter drift values ( $\Delta$ ) applicable to the scheduled parameters shall not be exceeded. In addition to these drift value requirements for a given parameter, the appropriate limit value specified in Table 2 shall not be exceeded.

4.7.2 Conditions for High Temperature Reverse Bias Burn-in

The requirements for the high temperature reverse bias burn-in are specified in Section 7 of ESA/SCC Generic Specification No. 5010. The conditions for high temperature reverse bias burn-in shall be as specified in Table 5(a) of this specification.

4.7.3 Conditions for Power Burn-in

The requirements for power burn-in are specified in Section 7 of ESA/SCC Generic Specification No. 5010. The conditions for power burn-in shall be as specified in Table 5(b) of this specification.

4.7.4 Electrical Circuits for High Temperature Reverse Bias and Power Burn-in

Circuits for use in performing the H.T.R.B and power burn-in tests are shown in Figures 5(a) and 5(b) of this specification.

**TABLE 2 - ELECTRICAL MEASUREMENTS AT ROOM TEMPERATURE - D.C. PARAMETERS**

No.	CHARACTERISTICS	SYMBOL	MIL-STD-750 TEST METHOD	TEST CONDITIONS	LIMITS		UNIT
					MIN.	MAX.	
1	Reverse Current 1	$I_{R1}$	4016	$V_R = -50V$	-	10	$\mu A$
2	Reverse Current 2	$I_{R2}$	4016	$V_R = -25V$	-	50	nA
3	Forward Voltage	$V_F$	4011	$I_F = 50mA$	-	1.1	V
4	Thermal Resistance	$R_{TH(J-C)}$	3101	$I_F = 1.0A$ Note 1 Variants 01 to 23 Variant 24 Variants 25 to 47 Variant 48 Variants 49 to 71 Variant 72	-	75 235 90 250 105 265	$^{\circ}C/W$

**NOTES**

1. Pulsed measurement, pulse width = 4.0 $\mu s$ , p.r.f. = 1.0kHz.

**TABLE 2 - ELECTRICAL MEASUREMENTS AT ROOM TEMPERATURE - A.C. PARAMETERS**

No.	CHARACTERISTICS	SYMBOL	MIL-STD-750 TEST METHOD	TEST FIG.	TEST CONDITIONS	LIMITS		UNIT
						MIN.	MAX.	
5	Total Capacitance	$C_T$	4001	-	$V_R = 0V$ $f = 1.0MHz$	Note 1		pF
6	Minority Carrier Lifetime	$\tau_L$	-	4(a)	$I_F = 10mA$ Variants 01 to 48 Variants 49 to 72	-	30 20	ns
7	Forward Slope Resistance	$R_{FS}$	-	4(b)	$I_F = 40mA$ $f_o = 500MHz$ Variants 01 to 24 Variants 25 to 48 Variants 49 to 72	-	1.0 1.2 1.5	$\Omega$

**NOTES**

1. See Column 4 of Table 1(a).

**TABLE 3 - ELECTRICAL MEASUREMENTS AT HIGH AND LOW TEMPERATURES**

No.	CHARACTERISTICS	SYMBOL	SPEC.AND/OR TEST METHOD	TEST CONDITIONS	LIMITS		UNIT
					MIN.	MAX.	
2	Reverse Current 2	$I_{R2}$	As per Table 2	As per Table 2	-	10	$\mu A$

**TABLE 4 - PARAMETER DRIFT VALUES**

No.	CHARACTERISTICS	SYMBOL	SPEC.AND/OR TEST METHOD	TEST CONDITIONS	CHANGE LIMITS ( $\Delta$ )	UNIT
2	Reverse Current 2	$I_{R2}$	As per Table 2	As per Table 2	$\pm 10$ (1) or (2) $\pm 100$ (1)	nA %
3	Forward Voltage	$V_F$	As per Table 2	As per Table 2	$\pm 100$ (1)	mV

**NOTES**

- $\Delta 1 = \Delta 2$ .
- Whichever is the greater, referred to the initial measurement.



**FIGURE 4 - CIRCUITS FOR ELECTRICAL MEASUREMENTS**

FIGURE 4(a) - MINORITY CARRIER LIFETIME

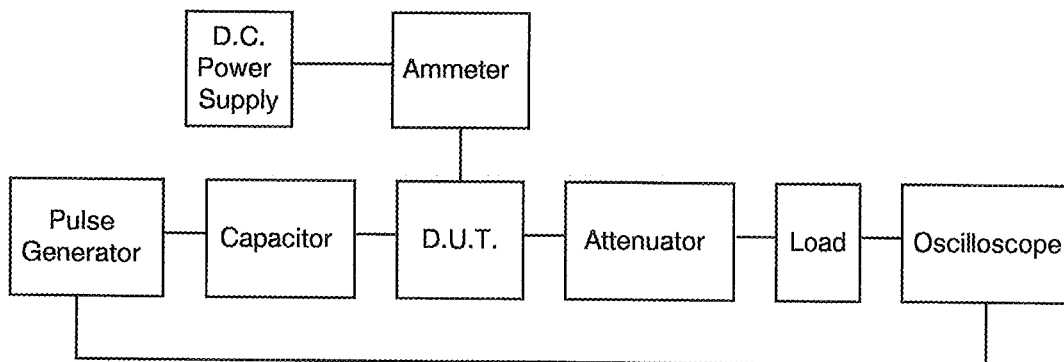
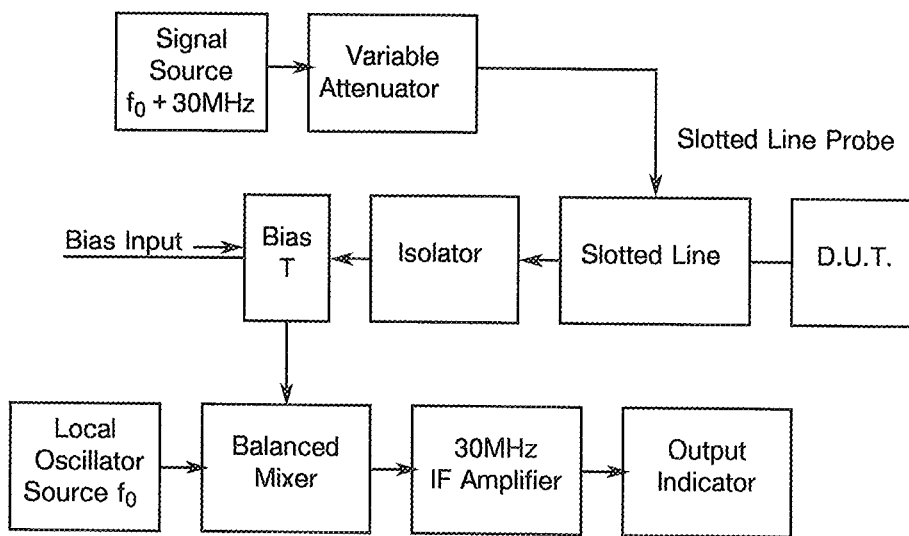


FIGURE 4(b) - FORWARD SLOPE RESISTANCE



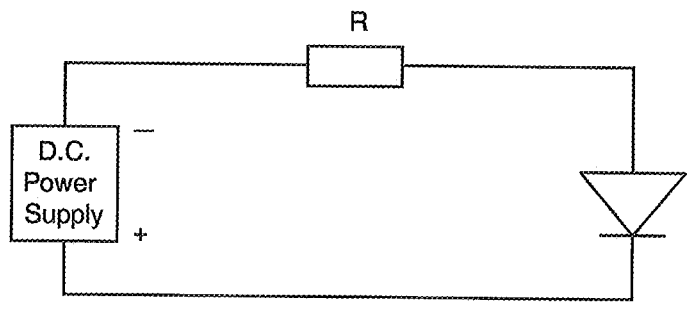
**TABLE 5(a) - CONDITIONS FOR HIGH TEMPERATURE REVERSE BIAS BURN-IN**

No.	CHARACTERISTICS	SYMBOL	CONDITIONS	UNIT
1	Ambient Temperature	$T_{amb}$	$+150(+0-3)$	$^{\circ}C$
2	Reverse Voltage	$V_R$	-25	V

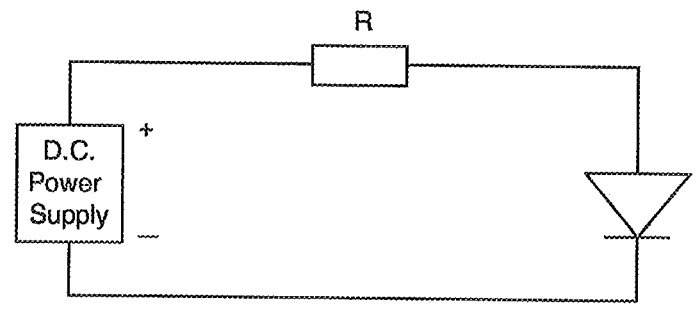
**TABLE 5(b) - CONDITIONS FOR POWER BURN-IN AND OPERATING LIFE TESTS**

No.	CHARACTERISTICS	SYMBOL	CONDITIONS	UNIT
1	Ambient Temperature	$T_{amb}$	$+125(+0-3)$	$^{\circ}C$
2	Forward Current	$I_F$	25	mA



**FIGURE 5(a) - ELECTRICAL CIRCUIT FOR HIGH TEMPERATURE REVERSE BIAS BURN-IN**



**FIGURE 5(b) - ELECTRICAL CIRCUIT FOR POWER BURN-IN AND OPERATING LIFE TESTS**





		<p style="text-align: center;">ESA/SCC Detail Specification No. 5513/007</p>	<p style="text-align: center;">Rev. 'A'</p>	<p style="text-align: center;">PAGE 33 ISSUE 1</p>
--	--	--	---	--

4.8 ENVIRONMENTAL AND ENDURANCE TESTS (CHARTS IV AND V OF ESA/SCC GENERIC SPECIFICATION NO. 5010)

4.8.1 Electrical Measurements on Completion of Environmental Tests

The parameters to be measured on completion of environmental tests are scheduled in Table 2. Unless otherwise stated, the measurements shall be performed at  $T_{amb} = +22 \pm 3$  °C.

4.8.2 Electrical Measurements at Intermediate Points and on Completion of Endurance Tests

The parameters to be measured at intermediate points and on completion of endurance tests are scheduled in Table 6. Unless otherwise stated, the measurements shall be performed at  $T_{amb} = +22 \pm 3$  °C.

4.8.3 Conditions for Operating Life Tests (Part of Endurance Testing)

The requirements for operating life testing are specified in Section 9 of ESA/SCC Generic Specification No. 5010. The conditions for operating life testing are specified in Table 5(b) of this specification.

4.8.4 Electrical Circuits for Operating Life Tests

The circuit to be used for performance of the operating life test shall be the same as shown in Figure 5(b) for Power Burn-in.

4.9 TOTAL DOSE IRRADIATION TESTING

4.9.1 Application

If specified in Para. 4.2.1 of this specification, total dose irradiation testing shall be performed in accordance with the requirements of ESA/SCC Basic Specification No. 22900.

4.9.2 Bias Conditions

Continuous bias shall be applied during irradiation testing as shown in Figure 6 of this specification.

4.9.3 Electrical Measurements

The parameters to be measured prior to irradiation exposure are scheduled in Table 2 of this specification. Only devices which meet the requirements of Table 2 shall be included in the test sample.

The parameters to be measured during and on completion of irradiation testing are scheduled in Table 7 of this specification.

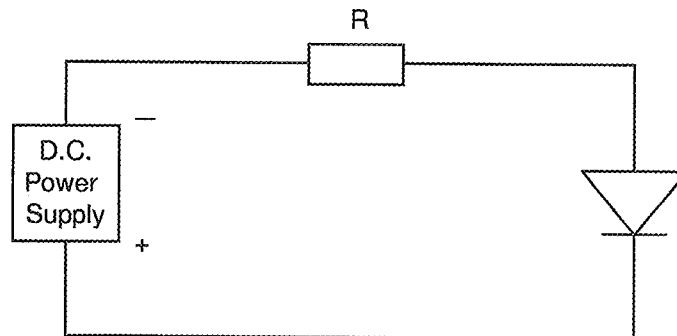
4.10 SPECIAL TESTING

Not applicable.

**TABLE 6 - ELECTRICAL MEASUREMENTS AT INTERMEDIATE POINTS AND ON COMPLETION OF ENDURANCE TESTING**

No.	CHARACTERISTICS	SYMBOL	SPEC. AND/OR TEST METHOD	TEST CONDITIONS	LIMITS		UNIT
					MIN.	MAX.	
1	Reverse Current 1	$I_{R1}$	As per Table 2	As per Table 2	As per Table 2		$\mu A$
2	Reverse Current 2	$I_{R2}$	As per Table 2	As per Table 2	As per Table 2		nA
3	Forward Voltage	$V_F$	As per Table 2	As per Table 2	As per Table 2		V
5	Total Capacitance	$C_T$	As per Table 2	As per Table 2	As per Table 2		pF
7	Forward Slope Resistance	$R_{FS}$	As per Table 2	As per Table 2	As per Table 2		$\Omega$

**FIGURE 6 - BIAS CONDITIONS FOR IRRADIATION TESTING**



**NOTES**

1. A reverse bias of  $V_R \approx -25V$  shall be applied.



**TABLE 7 - ELECTRICAL MEASUREMENTS DURING AND ON COMPLETION OF IRRADIATION TESTING**

No.	CHARACTERISTICS	SYMBOL	SPEC. AND/OR TEST METHOD	TEST CONDITIONS	CHANGE LIMITS ( $\Delta$ )	UNIT
6	Minority Carrier Lifetime	$\tau_L$	As per Table 2	As per Table 2	Note 1	%

**NOTES**

1. The graph given below shall be used to determine the maximum permitted change.

