



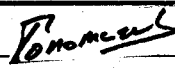

europaean space agency  
agence spatiale européenne

Pages 1 to 24

**DIODES, MICROWAVE, GALLIUM ARSENIDE,  
MULTIPLIER VARACTOR  
BASED ON TYPES ML48706C THRU ML48708C  
AND ML48709B THRU ML48710B  
ESA/SCC Detail Specification No. 5512/011**



**space components  
coordination group**

| Issue/Rev. | Date      | Approved by   |   |
|------------|-----------|---|---|
|            |           | SCCG Chairman   | ESA Director General<br>or his Deputy   |
| Issue 1    | June 1993 |  |  |
|            |           |   |   |
|            |           |   |   |



**SCC**

ESA/SCC Detail Specification  
No. 5512/011

PAGE 2

ISSUE 1

**DOCUMENTATION CHANGE NOTICE**

| Rev.<br>Letter | Rev.<br>Date | Reference | CHANGE<br>Item | Approved<br>DCR No. |
|----------------|--------------|-----------|----------------|---------------------|
|                |              |           |                |                     |



**TABLE OF CONTENTS**

|   | <u>Page</u> |
|---|-------------|
| <b>1. <u>GENERAL</u></b>  | <b>5</b>    |
| 1.1 Scope   | 5           |
| 1.2 Type Variants   | 5           |
| 1.3 Maximum Ratings   | 5           |
| 1.4 Parameter Derating Information  | 5           |
| 1.5 Physical Dimensions   | 5           |
| 1.6 Functional Diagram  | 5           |
| 1.7 Handling Precautions  | 5           |
| <b>2. <u>APPLICABLE DOCUMENTS</u></b>   | <b>5</b>    |
| <b>3. <u>TERMS, DEFINITIONS, ABBREVIATIONS, SYMBOLS AND UNITS</u></b>                     | <b>5</b>    |
| <b>4. <u>REQUIREMENTS</u></b>   | <b>15</b>   |
| 4.1 General   | 15          |
| 4.2 Deviations from Generic Specification   | 15          |
| 4.2.1 Deviations from Special In-process Controls   | 15          |
| 4.2.2 Deviations from Final Production Tests  | 15          |
| 4.2.3 Deviations from Burn-in and Electrical Measurements                                 | 15          |
| 4.2.4 Deviations from Qualification Tests   | 15          |
| 4.2.5 Deviations from Lot Acceptance Tests  | 16          |
| 4.3 Mechanical and Environmental Requirements   | 16          |
| 4.3.1 Dimension Check   | 16          |
| 4.3.2 Weight  | 16          |
| 4.3.3 Terminal Strength   | 16          |
| 4.3.4 Bond Strength   | 17          |
| 4.3.5 Die Shear   | 17          |
| 4.4 Materials and Finishes  | 17          |
| 4.4.1 Case  | 17          |
| 4.4.2 Lead Materials and Finish   | 17          |
| 4.5 Marking   | 17          |
| 4.5.1 General   | 17          |
| 4.5.2 Cathode Identification  | 18          |
| 4.5.3 The SCC Component Number  | 18          |
| 4.5.4 Traceability Information  | 18          |
| 4.6 Electrical Measurements   | 18          |
| 4.6.1 Electrical Measurements at Room Temperature   | 18          |
| 4.6.2 Electrical Measurements at High and Low Temperatures                                | 18          |
| 4.6.3 Circuits for Electrical Measurements  | 18          |
| 4.7 Burn-in Tests   | 18          |
| 4.7.1 Parameter Drift Values  | 18          |
| 4.7.2 Conditions for High Temperature Reverse Bias Burn-in                                | 18          |
| 4.7.3 Electrical Circuit for High Temperature Reverse Bias Burn-in                        | 18          |
| 4.8 Environmental and Endurance Tests   | 21          |
| 4.8.1 Electrical Measurements on Completion of Environmental Tests                        | 21          |
| 4.8.2 Electrical Measurements at Intermediate Points and on Completion of Endurance Tests | 21          |
| 4.8.3 Conditions for Operating Life Tests   | 21          |
| 4.8.4 Electrical Circuits for Operating Life Tests  | 21          |
| 4.9 Total Dose Irradiation Testing  | 21          |
| 4.9.1 Application   | 21          |
| 4.9.2 Bias Conditions   | 21          |
| 4.9.3 Electrical Measurements   | 21          |
| 4.10 Special Testing  | 21          |

**SCC**ESA/SCC Detail Specification  
No. 5512/011

PAGE 4

ISSUE 1

**TABLES**Page



|      |   |    |
|------|---|----|
| 1(a) | Type Variants   | 6  |
| 1(b) | Maximum Ratings   | 8  |
| 2    | Electrical Measurements at Room Temperature - D.C. Parameters                         | 19 |
|      | Electrical Measurements at Room Temperature - A.C. Parameters                         | 19 |
| 3    | Electrical Measurements at High and Low Temperatures                                  | 19 |
| 4    | Parameter Drift Values  | 19 |
| 5(a) | Conditions for High Temperature Reverse Bias Burn-in                                  | 20 |
| 5(b) | Conditions for Operating Life Tests   | 20 |
| 6    | Electrical Measurements at Intermediate Points and on Completion of Endurance Testing | 22 |
| 7    | Electrical Measurements During and on Completion of Irradiation Testing               | 23 |

**FIGURES**

|   |   |     |
|---|---|-----|
| 1 | Parameter Derating Information  | 9   |
| 2 | Physical Dimensions   | 10  |
| 3 | Functional Diagram  | 15  |
| 4 | Circuits for Electrical Measurements  | N/A |
| 5 | Electrical Circuit for High Temperature Reverse Bias Burn-in and Operating Life Tests | 20  |
| 6 | Bias Conditions for Irradiation Testing   | 22  |

**APPENDICES (Applicable to specific Manufacturers only)**

|     |   |    |
|-----|---|----|
| 'A' | Agreed Deviations for M/A-Com Ltd. (G.B.) | 24 |
|-----|---|----|

|   |  |                   |
|---|--|-------------------|
|   | ESA/SCC Detail Specification<br>No. 5512/011 | PAGE 5<br>ISSUE 1 |
|---|--|-------------------|

1. **GENERAL**

1.1 **SCOPE**

This specification details the ratings, physical and electrical characteristics, test and inspection data for a Diode, Microwave, Gallium Arsenide, Multiplier Varactor, based on Types ML48706C thru ML48708C and ML48709B thru ML48710B. It shall be read in conjunction with ESA/SCC Generic Specification No. 5010, the requirements of which are supplemented herein.

1.2 **TYPE VARIANTS**

Variants of the basic diodes specified herein, which are also covered by this specification are given in Table 1(a).

1.3 **MAXIMUM RATINGS**

The maximum ratings, which shall not be exceeded at any time during use or storage, applicable to the diodes specified herein, are as scheduled in Table 1(b).

1.4 **PARAMETER DERATING INFORMATION**

The derating information applicable to the diodes specified herein is shown in Figure 1.

1.5 **PHYSICAL DIMENSIONS**

The physical dimensions of the diodes specified herein are shown in Figure 2.

1.6 **FUNCTIONAL DIAGRAM**

The functional diagram, showing lead identification, of the diodes specified herein, is shown in Figure 3.

1.7 **HANDLING PRECAUTIONS**

These devices are susceptible to damage by electrostatic discharge. Therefore, suitable precautions shall be employed for protection during all phases of manufacture, testing, packaging, shipment and any handling.

These components are Categorised as Class 2 with a Minimum Critical Path Failure Voltage of 3000V.

2. **APPLICABLE DOCUMENTS**

The following documents form part of this specification and shall be read in conjunction with it:-

- (a) ESA/SCC Generic Specification No. 5010 for Discrete Microwave Semiconductor Components.
- (b) MIL-STD-750, Test Methods and Procedures for Semiconductor Devices.

3. **TERMS, DEFINITIONS, ABBREVIATIONS, SYMBOLS AND UNITS**

For the purpose of this specification, the terms, definitions, abbreviations, symbols and units specified in ESA/SCC Basic Specification No. 21300 shall apply.



**TABLE 1(a) - TYPE VARIANTS**

| VARIANT <sup>(1)</sup> | BASED ON TYPE <sup>(2)</sup> | FIGURE <sup>(3)</sup> | TOTAL CAPACITANCE <sup>(4)</sup><br>C <sub>T</sub> (pF) |       | JUNCTION CAPACITANCE <sup>(5)</sup><br>C <sub>J</sub> (pF)<br>(TYPICAL) | BODY-LID AND LEAD MATERIAL AND FINISH <sup>(6)</sup> |
|------------------------|------------------------------|-----------------------|---|-------|---|--|
|                        |                              |                       | MIN   | MAX   |   |  |
| 01                     | ML48706C - 30                | 2(a)                  | 0.350   | 0.449 | 0.2   | A7-D2  |
| 02                     | ML48706C - 31                | 2(b)                  | 0.350   | 0.449 | 0.2   | A7-D2  |
| 03                     | ML48706C - 36                | 2(c)                  | 0.350   | 0.449 | 0.2   | A7-D2  |
| 04                     | ML48706C - 94                | 2(d)                  | 0.330   | 0.429 | 0.2   | A7-D2  |
| 05                     | ML48706C - 95                | 2(e)                  | 0.330   | 0.429 | 0.2   | A7-D2  |
| 06                     | ML48706C - 96                | 2(f)                  | 0.330   | 0.429 | 0.2   | A7-D2  |
| 07                     | ML48706C - 97                | 2(g)                  | 0.330   | 0.429 | 0.2   | A7-D2  |
| 08                     | ML48706C - 118               | 2(h)                  | 0.400   | 0.499 | 0.2   | A7   |
| 09                     | ML48706C - 120               | 2(i)                  | 0.310   | 0.409 | 0.2   | D2   |
| 10                     | ML48706C - 138               | 2(j)                  | 0.360   | 0.459 | 0.2   | A7   |
| 11                     | ML48707C - 30                | 2(a)                  | 0.450   | 0.549 | 0.3   | A7-D2  |
| 12                     | ML48707C - 31                | 2(b)                  | 0.450   | 0.549 | 0.3   | A7-D2  |
| 13                     | ML48707C - 36                | 2(c)                  | 0.450   | 0.549 | 0.3   | A7-D2  |
| 14                     | ML48707C - 94                | 2(d)                  | 0.430   | 0.529 | 0.3   | A7-D2  |
| 15                     | ML48707C - 95                | 2(e)                  | 0.430   | 0.529 | 0.3   | A7-D2  |
| 16                     | ML48707C - 96                | 2(f)                  | 0.430   | 0.529 | 0.3   | A7-D2  |
| 17                     | ML48707C - 97                | 2(g)                  | 0.430   | 0.529 | 0.3   | A7-D2  |
| 18                     | ML48707C - 118               | 2(h)                  | 0.500   | 0.599 | 0.3   | A7   |
| 19                     | ML48707C - 120               | 2(i)                  | 0.410   | 0.509 | 0.3   | D2   |
| 20                     | ML48707C - 138               | 2(j)                  | 0.460   | 0.559 | 0.3   | A7   |
| 21                     | ML48708C - 30                | 2(a)                  | 0.550   | 0.649 | 0.4   | A7-D2  |
| 22                     | ML48708C - 31                | 2(b)                  | 0.550   | 0.649 | 0.4   | A7-D2  |
| 23                     | ML48708C - 36                | 2(c)                  | 0.550   | 0.649 | 0.4   | A7-D2  |
| 24                     | ML48708C - 94                | 2(d)                  | 0.530   | 0.629 | 0.4   | A7-D2  |
| 25                     | ML48708C - 95                | 2(e)                  | 0.530   | 0.629 | 0.4   | A7-D2  |
| 26                     | ML48708C - 96                | 2(f)                  | 0.530   | 0.629 | 0.4   | A7-D2  |
| 27                     | ML48708C - 97                | 2(g)                  | 0.530   | 0.629 | 0.4   | A7-D2  |
| 28                     | ML48708C - 118               | 2(h)                  | 0.600   | 0.699 | 0.4   | A7   |
| 29                     | ML48708C - 120               | 2(i)                  | 0.510   | 0.609 | 0.4   | D2   |
| 30                     | ML48708C - 138               | 2(j)                  | 0.560   | 0.659 | 0.4   | A7   |
| 31                     | ML48709B - 30                | 2(a)                  | 0.650   | 0.749 | 0.5   | A7-D2  |
| 32                     | ML48709B - 31                | 2(b)                  | 0.650   | 0.749 | 0.5   | A7-D2  |
| 33                     | ML48709B - 36                | 2(c)                  | 0.650   | 0.749 | 0.5   | A7-D2  |
| 34                     | ML48709B - 94                | 2(d)                  | 0.630   | 0.729 | 0.5   | A7-D2  |
| 35                     | ML48709B - 95                | 2(e)                  | 0.630   | 0.729 | 0.5   | A7-D2  |



**TABLE 1(a) - TYPE VARIANTS (CONT'D)**

| (1)<br>VARIANT | (2)<br>BASED ON<br>TYPE | (3)<br>FIGURE | (4)<br>TOTAL CAPACITANCE<br>$C_T$ (pF) |       | (5)<br>JUNCTION<br>CAPACITANCE<br>$C_J$ (pF)<br>(TYPICAL) | (6)<br>BODY-LID<br>AND LEAD<br>MATERIAL<br>AND FINISH |
|----------------|-------------------------|---------------|--|-------|---|---|
|                |                         |               | MIN                                    | MAX   |   |   |
| 36             | ML48709B - 96           | 2(f)          | 0.630                                  | 0.729 | 0.5   | A7-D2   |
| 37             | ML48709B - 97           | 2(g)          | 0.630                                  | 0.729 | 0.5   | A7-D2   |
| 38             | ML48709B - 118          | 2(h)          | 0.700                                  | 0.799 | 0.5   | A7  |
| 39             | ML48709B - 120          | 2(i)          | 0.610                                  | 0.709 | 0.5   | D2  |
| 40             | ML48709B - 138          | 2(j)          | 0.660                                  | 0.759 | 0.5   | A7  |
| 41             | ML48710B - 30           | 2(a)          | 0.750                                  | 0.850 | 0.6   | A7-D2   |
| 42             | ML48710B - 31           | 2(b)          | 0.750                                  | 0.850 | 0.6   | A7-D2   |
| 43             | ML48710B - 36           | 2(c)          | 0.750                                  | 0.850 | 0.6   | A7-D2   |
| 44             | ML48710B - 94           | 2(d)          | 0.730                                  | 0.830 | 0.6   | A7-D2   |
| 45             | ML48710B - 95           | 2(e)          | 0.730                                  | 0.830 | 0.6   | A7-D2   |
| 46             | ML48710B - 96           | 2(f)          | 0.730                                  | 0.830 | 0.6   | A7-D2   |
| 47             | ML48710B - 97           | 2(g)          | 0.730                                  | 0.830 | 0.6   | A7-D2   |
| 48             | ML48710B - 118          | 2(h)          | 0.800                                  | 0.900 | 0.6   | A7  |
| 49             | ML48710B - 120          | 2(i)          | 0.710                                  | 0.810 | 0.6   | D2  |
| 50             | ML48710B - 138          | 2(j)          | 0.760                                  | 0.860 | 0.6   | A7  |



**TABLE 1(b) - MAXIMUM RATINGS**

| No. | CHARACTERISTIC   | SYMBOL    | MAXIMUM RATINGS      | UNIT | REMARKS   |
|-----|--|-----------|----------------------|------|-----------|
| 1   | D.C. Reverse Voltage   | $V_R$     | -25                  | V    | Note 1    |
| 2   | R.F. Power Dissipation<br>Variants 01 to 10<br>Variants 11 to 20<br>Variants 21 to 40<br>Variants 41 to 50 | $P_{tot}$ | 30<br>40<br>50<br>60 | mW   | Note 2    |
| 3   | Operating Temperature Range  | $T_{op}$  | -40 to +125          | °C   | $T_{amb}$ |
| 4   | Storage Temperature Range  | $T_{stg}$ | -55 to +125          | °C   |           |
| 5   | Soldering Temperature  | $T_{sol}$ | +230                 | °C   | Note 3    |

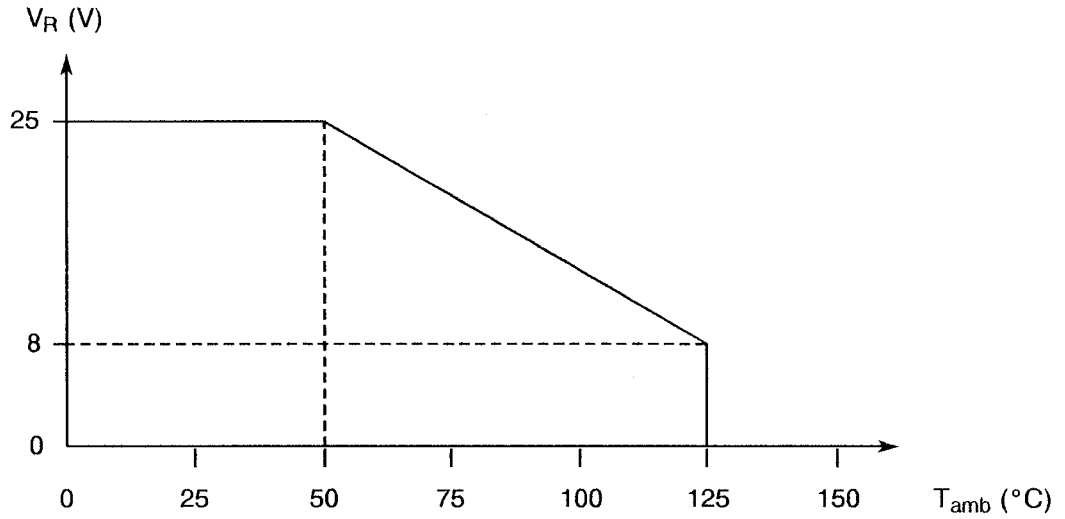
**NOTES**

1. Measured at  $I_R = 10\mu A$  and  $T_{amb} = +50^\circ C$ . For derating at  $T_{amb} > +50^\circ C$ , see Figure 1.
2.  $T_{amb} = +25^\circ C$ . For derating at  $T_{amb} > +25^\circ C$ , see Figure 1.
3. Duration 5 seconds maximum and the same termination shall not be resoldered until 3 minutes have elapsed.

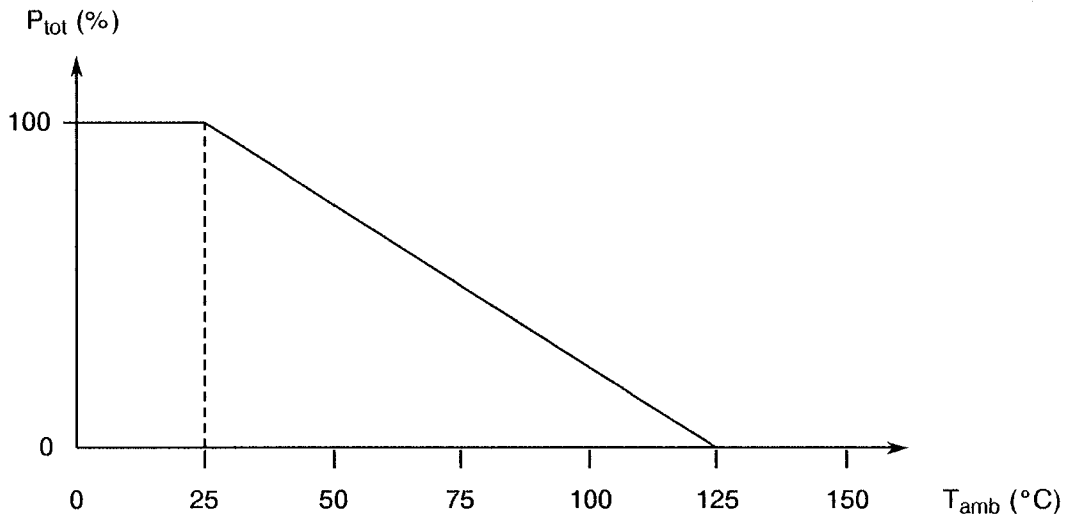




**FIGURE 1 - PARAMETER DERATING INFORMATION**



Reverse Voltage versus Temperature



Power Dissipation versus Temperature



**FIGURE 2 - PHYSICAL DIMENSIONS**

FIGURE 2(a) - VARIANTS 01, 11, 21, 31, 41

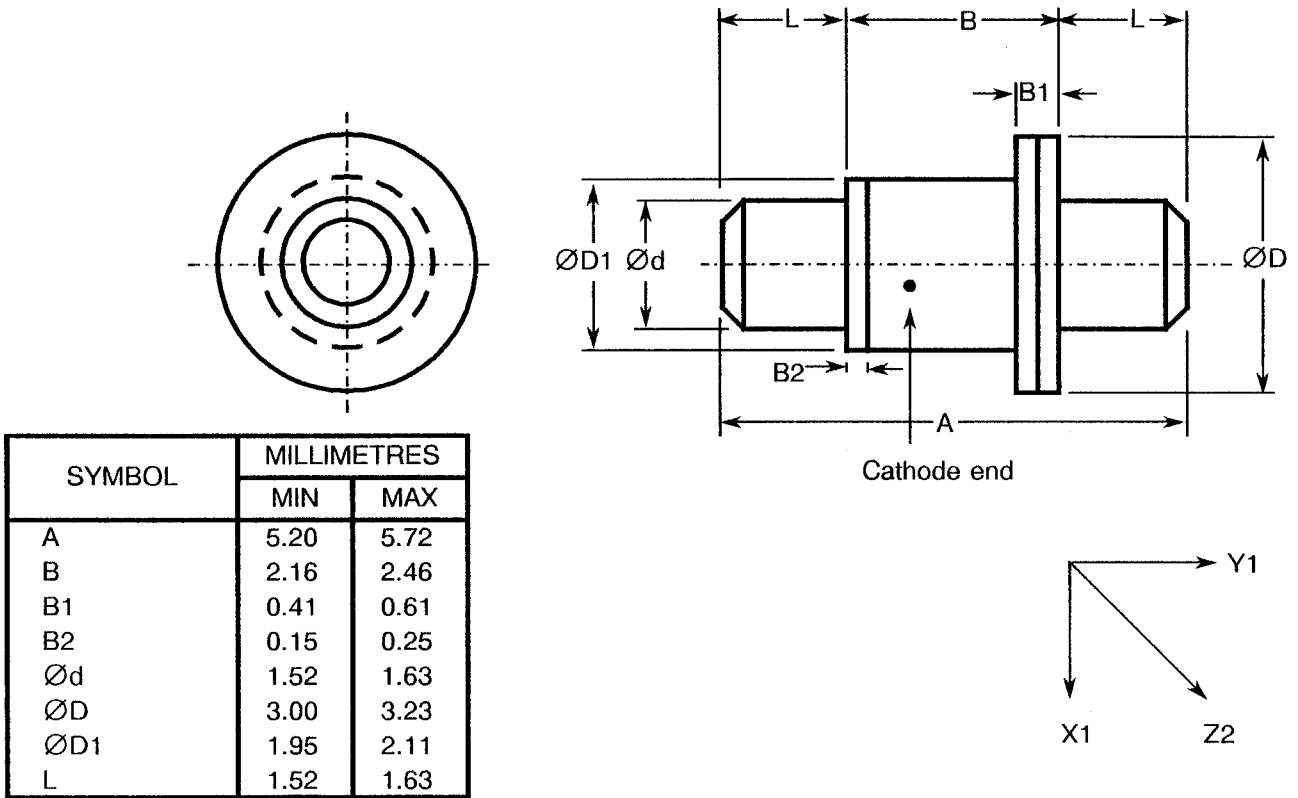
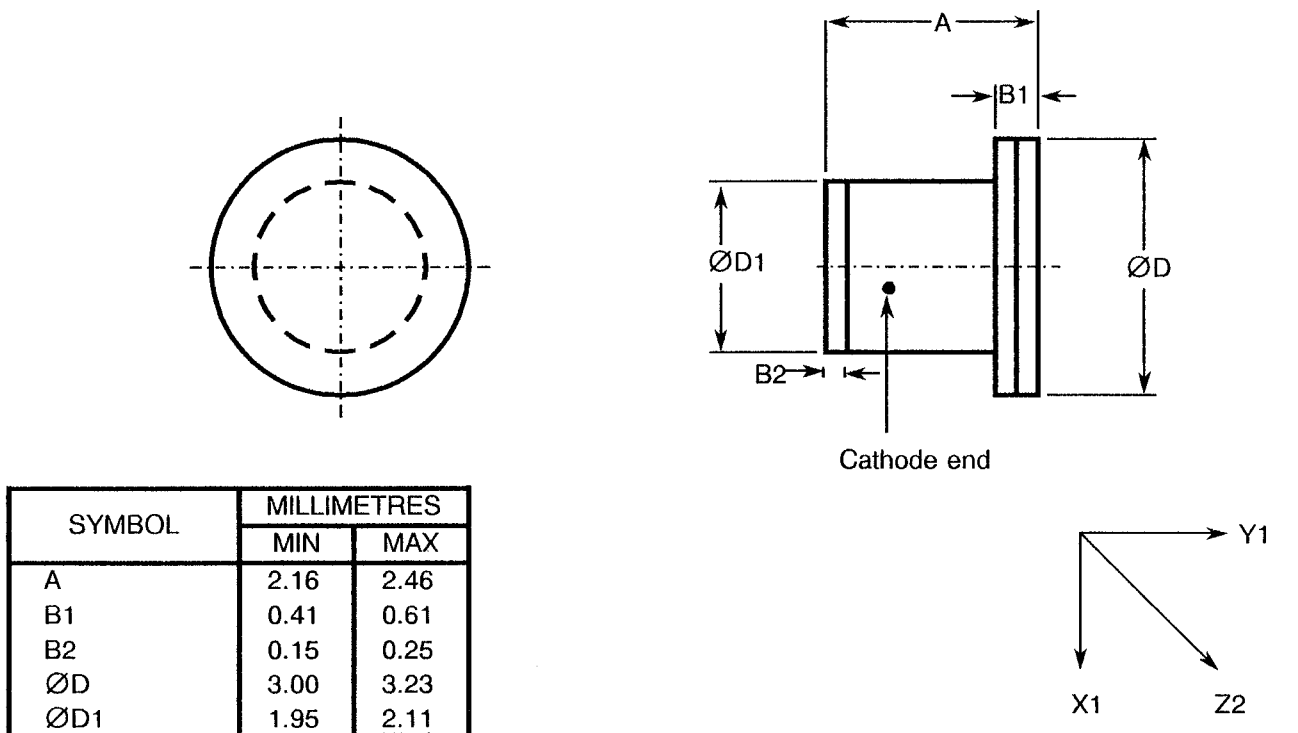
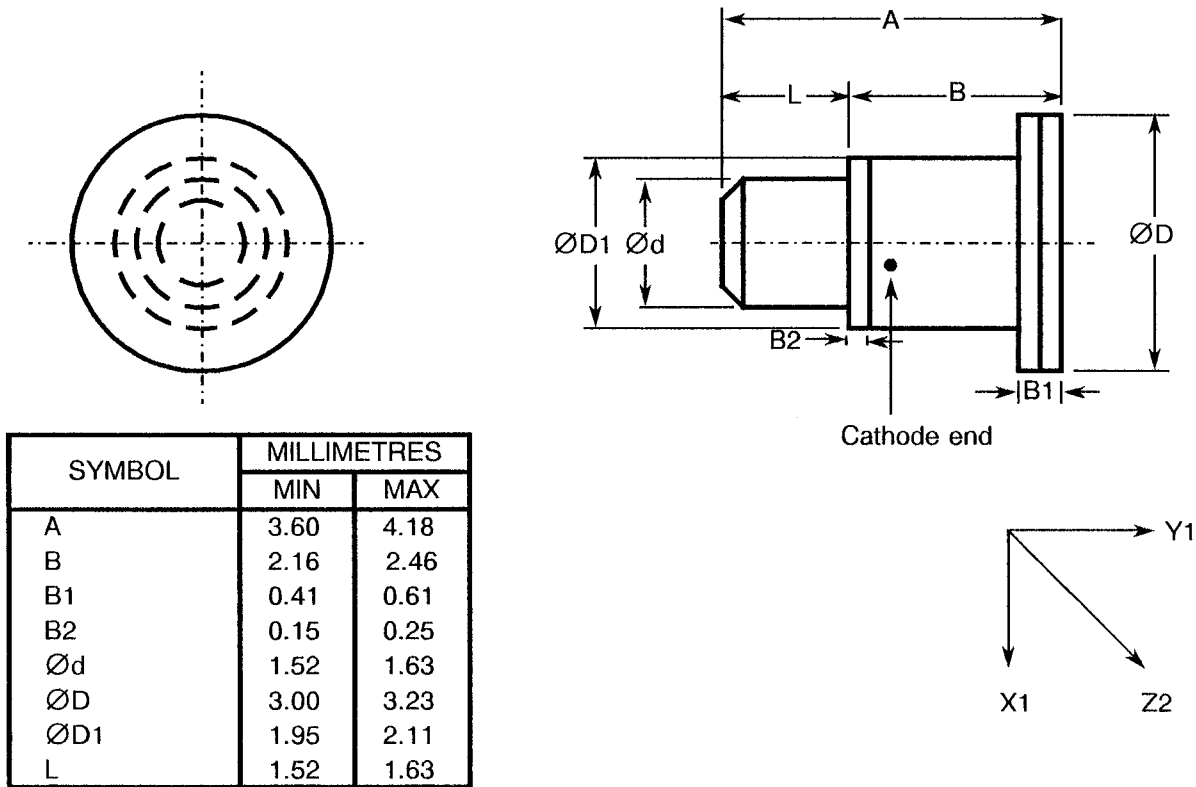


FIGURE 2(b) - VARIANTS 02, 12, 22, 32, 42

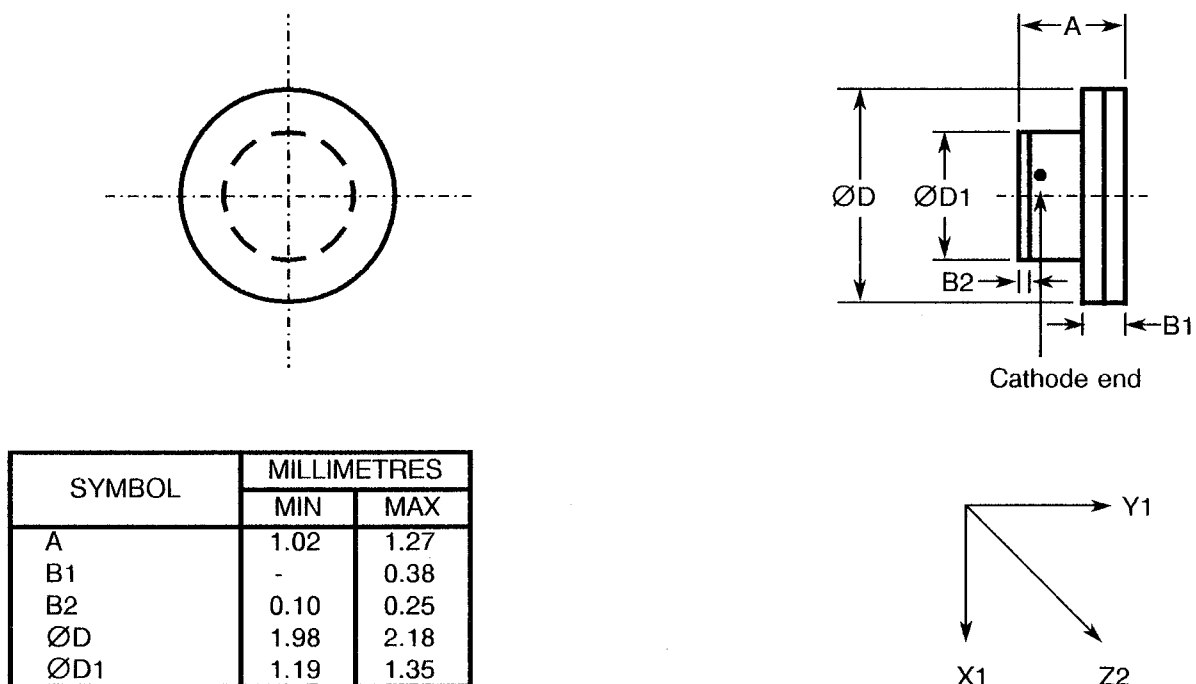


**FIGURE 2 - PHYSICAL DIMENSIONS (CONTINUED)**

**FIGURE 2(c) - VARIANTS 03, 13, 23, 33, 43**



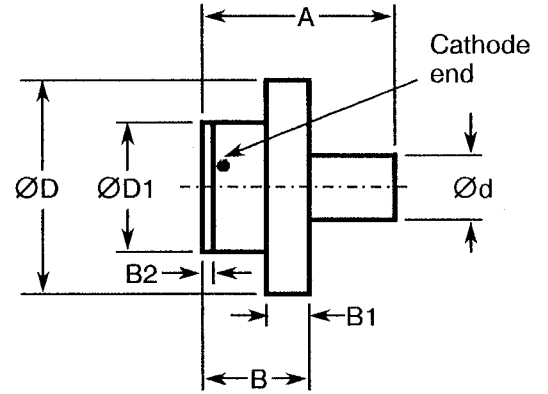
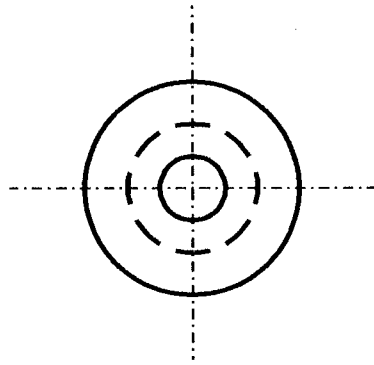
**FIGURE 2(d) - VARIANTS 04, 14, 24, 34, 44**





**FIGURE 2 - PHYSICAL DIMENSIONS (CONTINUED)**

FIGURE 2(e) - VARIANTS 05, 15, 25, 35, 45



| SYMBOL | MILLIMETRES |      |
|--------|-------------|------|
|        | MIN         | MAX  |
| A      | 1.78        | 2.03 |
| B      | 1.02        | 1.27 |
| B1     | -           | 0.38 |
| B2     | 0.10        | 0.25 |
| Ød     | 0.61        | 0.66 |
| ØD     | 1.98        | 2.18 |
| ØD1    | 1.19        | 1.35 |

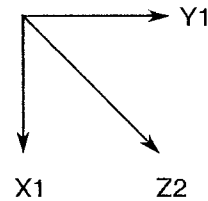
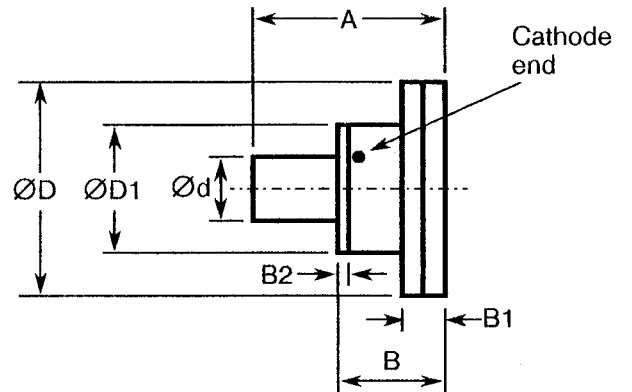
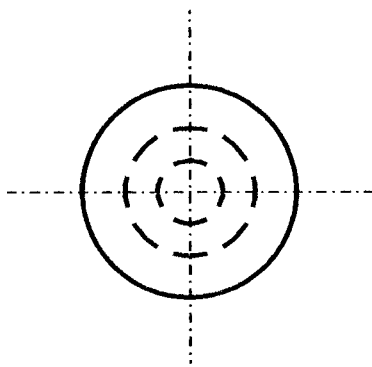
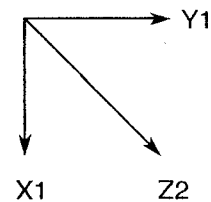


FIGURE 2(f) - VARIANTS 06, 16, 26, 36, 46



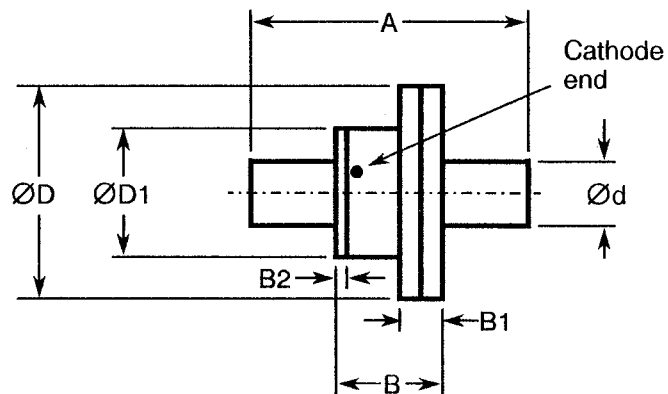
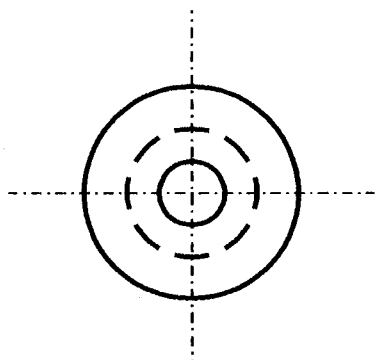
| SYMBOL | MILLIMETRES |      |
|--------|-------------|------|
|        | MIN         | MAX  |
| A      | 1.78        | 2.03 |
| B      | 1.02        | 1.27 |
| B1     | -           | 0.38 |
| B2     | 0.10        | 0.25 |
| Ød     | 0.61        | 0.66 |
| ØD     | 1.98        | 2.18 |
| ØD1    | 1.19        | 1.35 |



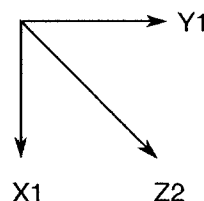


**FIGURE 2 - PHYSICAL DIMENSIONS (CONTINUED)**

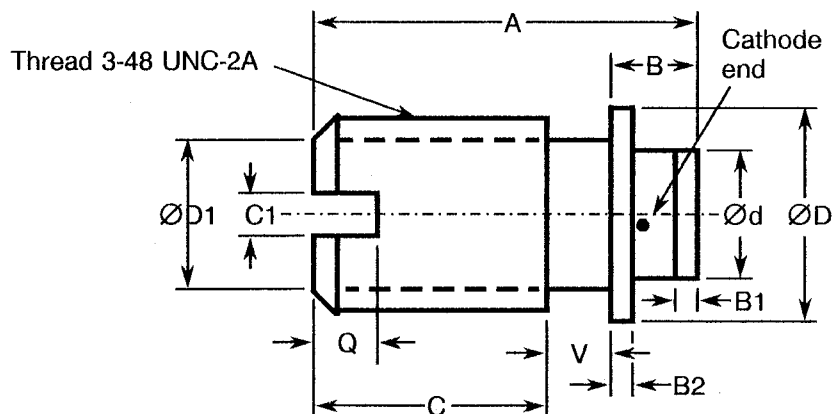
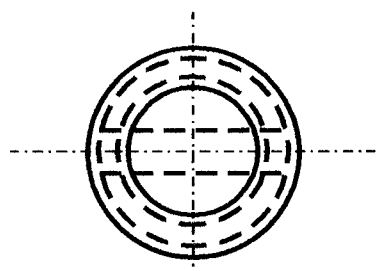
**FIGURE 2(g) - VARIANTS 07, 17, 27, 37, 47**



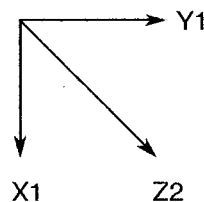
| SYMBOL | MILLIMETRES |      |
|--------|-------------|------|
|        | MIN         | MAX  |
| A      | 2.54        | 2.79 |
| B      | 1.02        | 1.27 |
| B1     | -           | 0.38 |
| B2     | 0.10        | 0.25 |
| Ød     | 0.61        | 0.66 |
| ØD     | 1.98        | 2.18 |
| ØD1    | 1.19        | 1.35 |



**FIGURE 2(h) - VARIANTS 08, 18, 28, 38, 48**



| SYMBOL | MILLIMETRES |      |
|--------|-------------|------|
|        | MIN         | MAX  |
| A      | 4.19        | 4.70 |
| B      | 0.77        | 1.04 |
| B1     | 0.20        | 0.30 |
| B2     | 0.22        | 0.28 |
| C      | 2.21        | 3.29 |
| C1     | 0.38        | 0.64 |
| Ød     | 1.22        | 1.32 |
| ØD     | 2.49        | 2.59 |
| ØD1    | 1.60        | 2.00 |
| Q      | 0.64        | 1.14 |
| V      | 0.64        | 0.94 |



**FIGURE 2 - PHYSICAL DIMENSIONS (CONTINUED)**

FIGURE 2(i) - VARIANTS 09, 19, 29, 39, 49

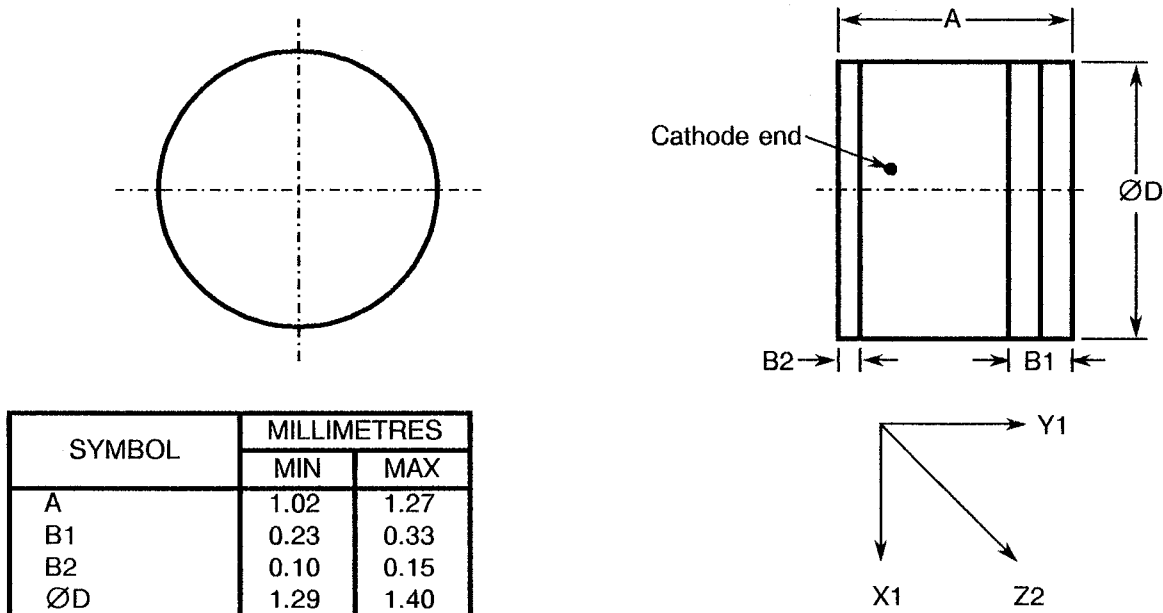
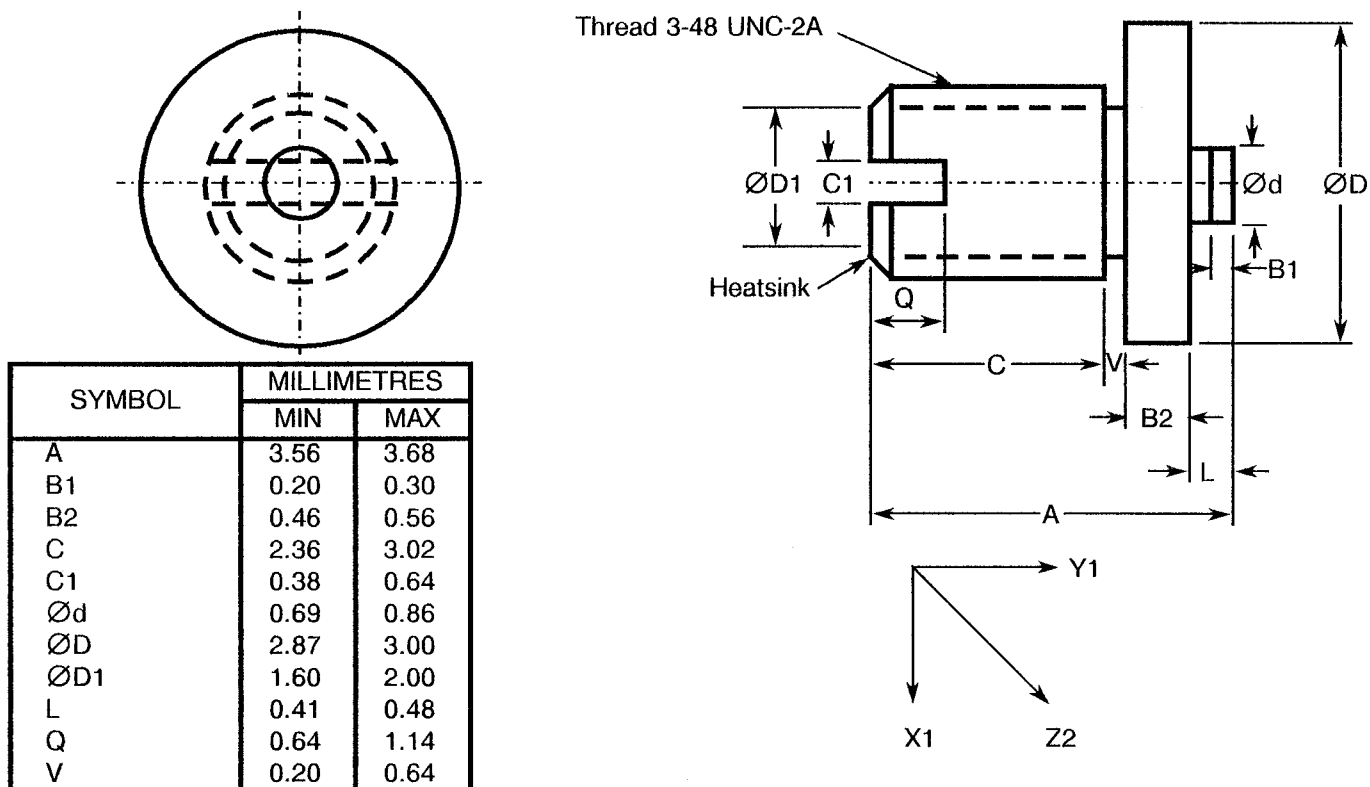




FIGURE 2(j) - VARIANTS 10, 20, 30, 40, 50



**NOTES**

1. Due to its very small size, not even the cathode identification will be marked on this package (see Para. 4.5.1).

|   |  |  |                    |
|---|--|--|--------------------|
|   | ESA/SCC Detail Specification<br>No. 5512/011 |  | PAGE 15<br>ISSUE 1 |
|---|--|--|--------------------|

**FIGURE 3 - FUNCTIONAL DIAGRAM**



- 1. Anode
- 2. Cathode

**NOTES**

1. The cathode end shall be marked with a black dot or band. The marking will not be on the cathode connection but adjacent to it.
2. The heatsink end shall be the same as the cathode end.

**4. REQUIREMENTS**

**4.1 GENERAL**

The complete requirements for procurement of the diodes specified herein shall be as stated in this specification and ESA/SCC Generic Specification No. 5010 for Discrete Microwave Semiconductor Components. Deviations from the Generic Specification applicable to this specification only, are listed in Para. 4.2.

Deviations from the applicable Generic Specification and this Detail Specification, formally agreed with specific Manufacturers on the basis that the alternative requirements are equivalent to the ESA/SCC requirements and do not affect the components' reliability, are listed in the appendices attached to this specification.

**4.2 DEVIATIONS FROM GENERIC SPECIFICATION**

**4.2.1 Deviations from Special In-process Controls**

- (a) Para. 5.2.2, Total Dose Irradiation Testing: Shall be performed during qualification and extension of qualification.
- (b) Para. 5.2.2, Total Dose Irradiation Testing: Shall be performed during procurement on a lot acceptance basis at the total dose irradiation level specified in the purchase order.
- (c) Para. 5.3, Wafer Lot Acceptance: Shall be performed as an S.E.M. Inspection only.

**4.2.2 Deviations from Final Production Tests (Chart II)**

- (a) Para. 6.2, Pre-burn-in: Shall be performed in accordance with Para. 9.21(a).
- (b) Para. 9.1, Internal Visual Inspection: For Variants 10, 20, 30, 40 and 50, the 3 devices prepared for the Bond Strength Test shall be exempt from the maximum height of bond wire above die requirement.
- (c) Para. 9.2.1, Bond Strength: For Variants 10, 20, 30, 40 and 50, 3 devices shall have bonds which are long enough to permit this test to be performed.
- (d) Para. 9.2.2, Die Shear: Shall not be performed for Variants 10, 20, 30, 40 and 50 for which a Constant Acceleration test shall be performed before the Bond Strength test, in accordance with Para. 9.6 and with a Condition of 35 000g.
- (e) Para. 9.14, Vibration, Variable Frequency: Shall not be performed.

**4.2.3 Deviations from Burn-in and Electrical Measurements (Chart III)**

- (a) Para. 7.1.1(a), High Temperature Reverse Bias Burn-in: Shall be performed at 32% of rated  $V_R$ .

**4.2.4 Deviations from Qualification Tests (Chart IV)**

- (a) Para. 9.2.3, Bond Strength: Shall not be performed for Variants 10, 20, 30, 40 and 50.
- (b) Para. 9.2.4, Die Shear: Shall not be performed for Variants 10, 20, 30, 40 and 50 for which a Constant Acceleration test shall be performed before the Bond Strength test, in accordance with Para. 9.6 and with a Condition of 35 000g.
- (c) Para. 9.23, Special Testing: Shall not be performed.

**4.2.5** Deviations from Lot Acceptance Tests (Chart V)

(a) Para. 9.23, Special Testing: Shall not be performed.

**4.3** MECHANICAL AND ENVIRONMENTAL REQUIREMENTS**4.3.1** Dimension Check

The dimensions of the diodes specified herein shall be checked. They shall conform to those shown in Figure 2.

**4.3.2** Weight

The maximum weight of the diodes specified herein shall be:

| Variant No.                               | Weight (g) |
|---|------------|
| 01, 11, 21, 31, 41                        | 0.12       |
| 02, 12, 22, 32, 42                        | 0.06       |
| 03, 13, 23, 33, 43                        | 0.10       |
| 04, 14, 24, 34, 44                        | 0.013      |
| 05, 06, 15, 16, 25, 26, 35,<br>36, 45, 46 | 0.015      |

| Variant No.        | Weight (g) |
|--------------------|------------|
| 07, 17, 27, 37, 47 | 0.022      |
| 08, 18, 28, 38, 48 | 0.14       |
| 09, 19, 29, 39, 49 | 0.014      |
| 10, 20, 30, 40, 50 | 0.15       |

**4.3.3** Terminal Strength

The requirements for terminal strength testing are specified in Section 9 of ESA/SCC Generic Specification No. 5010. The test conditions shall be as follows:-

**(a) Condition: 'D2' (Stud Torque)**

Variants 08, 10, 18, 20, 28, 30, 38, 40, 48 and 50:

- Torque: 42mNm.
- Duration: 5 seconds.

**(b) Condition: Compression**

Variants 01, 02, 03, 11, 12, 13, 21, 22, 23, 31, 32, 33, 41, 42 and 43:

- Force: 50N.
- Duration: 5 seconds.

Variants 04, 05, 06, 07, 08, 09, 14, 15, 16, 17, 18, 19, 24, 25, 26, 27, 28, 29, 34, 35, 36, 37, 38, 39, 44, 45, 46, 47, 48 and 49:

- Force: 10N.
- Duration: 5 seconds.

Variants 10, 20, 30, 40 and 50:

- Force: 5.0N.
- Duration: 5 seconds.

The compression test shall be performed by applying the specified force to the end-cap by means of a suitable weight applied for the specified time. On completion of the test, a visual examination shall be performed to check for damage to the end-cap or the ceramic body.





#### 4.3.4 Bond Strength

The requirements for bond strength are as specified in Section 9 of ESA/SCC Generic Specification No. 5010. The test conditions shall be as follows:-

- (a) Condition : 'A'.
- (b) Separating Force : 0.012N minimum.

#### 4.3.5 Die Shear

The requirements for die shear are as specified in Section 9 of ESA/SCC Generic Specification No. 5010. The test conditions shall be as follows:-

- (a) Force : 0.45N minimum.

### 4.4 MATERIALS AND FINISHES

The materials and finishes shall be as specified herein. Where a definite material is not specified, a material which will enable the diodes specified herein to meet the performance requirements of this specification shall be used. Acceptance or approval of any constituent material shall not guarantee acceptance of the finished product.

#### 4.4.1 Case

The case shall be hermetically sealed and have a ceramic body. The lid shall be brazed, welded or preform soldered.

#### 4.4.2 Lead Materials and Finish

- (a) For Variants 01, 02, 03, 04, 05, 06, 07, 11, 12, 13, 14, 15, 16, 17, 21, 22, 23, 24, 25, 26, 27, 31, 32, 33, 34, 35, 36, 37, 41, 42, 43, 44, 45, 46 and 47, the body material shall be Type 'A' with Type '7' finish and the lid material shall be Type 'D' with Type '2' finish, in accordance with the requirements of ESA/SCC Basic Specification No. 23500.
- (b) For Variants 08, 10, 18, 20, 28, 30, 38, 40, 48 and 50, the lead material shall be Type 'A' with Type '7' finish in accordance with the requirements of ESA/SCC Basic Specification No. 23500.
- (c) For Variants 09, 19, 29, 39 and 49, the lead material shall be Type 'D' with Type '2' finish in accordance with the requirements of ESA/SCC Basic Specification No. 23500.

### 4.5 MARKING

#### 4.5.1 General

The marking of components delivered to this specification shall be in accordance with the requirements of ESA/SCC Basic Specification No. 21700 and the following paragraphs. When the component is too small to accommodate all of the marking specified, as much as space permits shall be marked and the marking information, in full, shall accompany the component in its primary package.

The information to be marked and the order of precedence, shall be as follows:-

- (a) Cathode Identification.
- (b) The SCC Component Number.
- (c) Traceability Information.

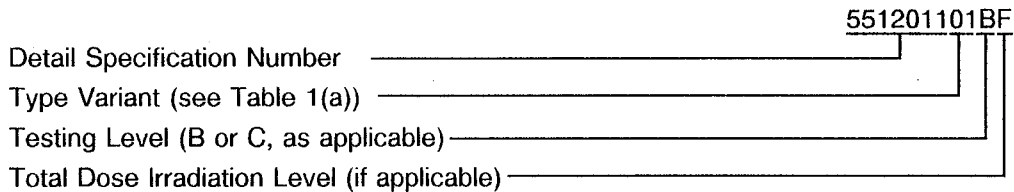


4.5.2 Cathode Identification

Cathode identification shall be as shown in Figures 2 and 3 of this specification.

4.5.3 The SCC Component Number

Each component shall bear the SCC Component Number which shall be constituted and marked as follows:



The Total Dose Irradiation Level designation shall be added for those devices for which a sample has been successfully tested to the level in question. For these devices, a code letter shall be added in accordance with the requirements of ESA/SCC Basic Specification No. 22900.

4.5.4 Traceability Information

Each component shall be marked in respect of traceability information as defined in ESA/SCC Basic Specification No. 21700.

4.6 ELECTRICAL MEASUREMENTS

4.6.1 Electrical Measurements at Room Temperature

The parameters to be measured at room temperature are scheduled in Table 2. Unless otherwise specified, the measurements shall be performed at  $T_{amb} = +22 \pm 3$  °C.

4.6.2 Electrical Measurements at High and Low Temperatures

The parameters to be measured at high and low temperatures are scheduled in Table 3. Unless otherwise specified, the measurements shall be performed at  $T_{amb} = +125(+0-3)$  °C.

4.6.3 Circuits for Electrical Measurements

Not applicable.

4.7 BURN-IN TESTS

Burn-in shall be Category 1 of Chart III(a).

4.7.1 Parameter Drift Values

The parameter drift values applicable to burn-in are specified in Table 4 of this specification. Unless otherwise stated, the measurements shall be performed at  $T_{amb} = +22 \pm 3$  °C. The parameter drift values ( $\Delta$ ) applicable to the scheduled parameters shall not be exceeded. In addition to these drift value requirements for a given parameter, the appropriate limit value specified in Table 2 shall not be exceeded.

4.7.2 Conditions for High Temperature Reverse Bias Burn-in

The requirements for the high temperature reverse bias burn-in are specified in Section 7 of ESA/SCC Generic Specification No. 5010. The conditions for high temperature reverse bias burn-in shall be as specified in Table 5(a) of this specification.

4.7.3 Electrical Circuit for High Temperature Reverse Bias Burn-in

The circuit for use in performing the H.T.R.B burn-in test is shown in Figure 5 of this specification.

**TABLE 2 - ELECTRICAL MEASUREMENTS AT ROOM TEMPERATURE - D.C. PARAMETERS**

| No. | CHARACTERISTICS   | SYMBOL   | MIL-STD-750<br>TEST METHOD | TEST CONDITIONS | LIMITS |      | UNIT    |
|-----|-------------------|----------|----------------------------|-----------------|--------|------|---------|
|     |                   |          |                            |                 | MIN.   | MAX. |         |
| 1   | Reverse Current 1 | $I_{R1}$ | 4016                       | $V_R = -25V$    | -      | 10   | $\mu A$ |
| 2   | Reverse Current 2 | $I_{R2}$ | 4016                       | $V_R = -16V$    | -      | 100  | nA      |
| 3   | Forward Voltage   | $V_F$    | 4011                       | $I_F = 10\mu A$ | -      | 1.1  | V       |

**TABLE 2 - ELECTRICAL MEASUREMENTS AT ROOM TEMPERATURE - A.C. PARAMETERS**

| No. | CHARACTERISTICS   | SYMBOL | MIL-STD-750<br>TEST METHOD | TEST<br>CONDITIONS         | LIMITS |      | UNIT |
|-----|-------------------|--------|----------------------------|----------------------------|--------|------|------|
|     |                   |        |                            |                            | MIN.   | MAX. |      |
| 4   | Total Capacitance | $C_T$  | 4001                       | $V_R = 0V$<br>$f = 1.0MHz$ | Note 1 |      | pF   |

**NOTES**

- See Column 4 of Table 1(a).

**TABLE 3 - ELECTRICAL MEASUREMENTS AT HIGH AND LOW TEMPERATURES**

| No. | CHARACTERISTICS   | SYMBOL   | MIL-STD-750<br>TEST METHOD | TEST<br>CONDITIONS | LIMITS |      | UNIT    |
|-----|-------------------|----------|----------------------------|--------------------|--------|------|---------|
|     |                   |          |                            |                    | MIN.   | MAX. |         |
| 5   | Reverse Current 3 | $I_{R3}$ | 4016                       | $V_R = -8.0V$      | -      | 10   | $\mu A$ |

**TABLE 4 - PARAMETER DRIFT VALUES**

| No. | CHARACTERISTICS   | SYMBOL   | SPEC.AND/OR<br>TEST METHOD | TEST<br>CONDITIONS | CHANGE<br>LIMITS<br>( $\Delta$ )        | UNIT    |
|-----|-------------------|----------|----------------------------|--------------------|---|---------|
| 2   | Reverse Current 2 | $I_{R2}$ | As per Table 2             | As per Table 2     | $\pm 10$ (1)<br>or (2)<br>$\pm 100$ (1) | nA<br>% |
| 3   | Forward Voltage   | $V_F$    | As per Table 2             | As per Table 2     | $\pm 100$ (1)                           | mV      |

**NOTES**

- $\Delta 1 = \Delta 2$ .
- Whichever is the greater, referred to the initial measurement.

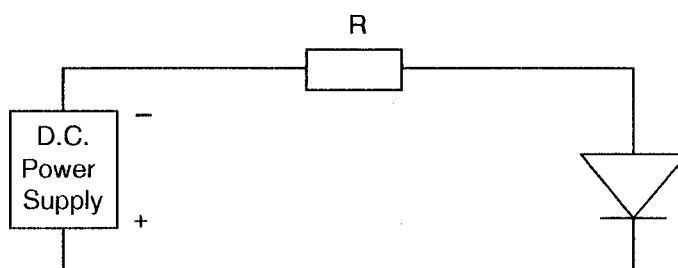
**TABLE 5(a) - CONDITIONS FOR HIGH TEMPERATURE REVERSE BIAS BURN-IN**

| No. | CHARACTERISTICS     | SYMBOL    | CONDITIONS      | UNIT |
|-----|---------------------|-----------|-----------------|------|
| 1   | Ambient Temperature | $T_{amb}$ | + 125( + 0 - 3) | °C   |
| 2   | Reverse Voltage     | $V_R$     | - 8.0           | V    |

**TABLE 5(b) - CONDITIONS FOR OPERATING LIFE TESTS**

| No. | CHARACTERISTICS       | SYMBOL     | CONDITIONS      | UNIT |
|-----|-----------------------|------------|-----------------|------|
| 1   | Ambient Temperature 1 | $T_{amb1}$ | + 115( + 0 - 3) | °C   |
| 2   | Reverse Voltage 1     | $V_{R1}$   | - 8.0           | V    |
| 3   | Ambient Temperature 2 | $T_{amb2}$ | + 125( + 0 - 3) | °C   |
| 4   | Reverse Voltage 2     | $V_{R2}$   | - 8.0           | V    |

**FIGURE 5 - ELECTRICAL CIRCUIT FOR HIGH TEMPERATURE REVERSE BIAS BURN-IN AND OPERATING LIFE TESTS**





#### 4.8 ENVIRONMENTAL AND ENDURANCE TESTS (CHARTS IV AND V OF ESA/SCC GENERIC SPECIFICATION NO. 5010)

##### 4.8.1 Electrical Measurements on Completion of Environmental Tests

The parameters to be measured on completion of environmental tests are scheduled in Table 2. Unless otherwise stated, the measurements shall be performed at  $T_{amb} = +22 \pm 3$  °C.

##### 4.8.2 Electrical Measurements at Intermediate Points and on Completion of Endurance Tests

The parameters to be measured at intermediate points and on completion of endurance tests are scheduled in Table 6. Unless otherwise stated, the measurements shall be performed at  $T_{amb} = +22 \pm 3$  °C.

##### 4.8.3 Conditions for Operating Life Tests (Part of Endurance Testing)

The requirements for operating life testing are specified in Section 9 of ESA/SCC Generic Specification No. 5010. The conditions for operating life testing are specified in Table 5(b) of this specification.

##### 4.8.4 Electrical Circuits for Operating Life Tests

The circuit to be used for performance of the operating life test shall be the same as shown in Figure 5 for High Temperature Reverse Bias Burn-in.

#### 4.9 TOTAL DOSE IRRADIATION TESTING

##### 4.9.1 Application

If specified in Para. 4.2.1 of this specification, total dose irradiation testing shall be performed in accordance with the requirements of ESA/SCC Basic Specification No. 22900.

##### 4.9.2 Bias Conditions

Continuous bias shall be applied during irradiation testing as shown in Figure 6 of this specification.

##### 4.9.3 Electrical Measurements

The parameters to be measured prior to irradiation exposure are scheduled in Table 2 of this specification. Only devices which meet the requirements of Table 2 shall be included in the test sample.

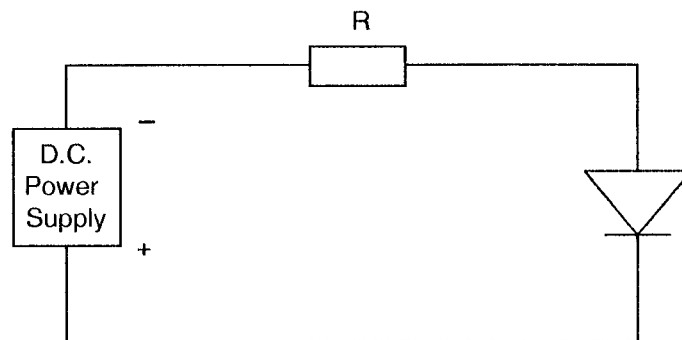
The parameters to be measured during and on completion of irradiation testing are scheduled in Table 7 of this specification.

#### 4.10 SPECIAL TESTING

Not applicable.

**TABLE 6 - ELECTRICAL MEASUREMENTS AT INTERMEDIATE POINTS AND ON COMPLETION OF ENDURANCE TESTING**

| No. | CHARACTERISTICS   | SYMBOL   | SPEC. AND/OR TEST METHOD | TEST CONDITIONS | LIMITS         |      | UNIT          |
|-----|-------------------|----------|--------------------------|-----------------|----------------|------|---------------|
|     |                   |          |                          |                 | MIN.           | MAX. |               |
| 1   | Reverse Current 1 | $I_{R1}$ | As per Table 2           | As per Table 2  | As per Table 2 |      | $\mu\text{A}$ |
| 2   | Reverse Current 2 | $I_{R2}$ | As per Table 2           | As per Table 2  | As per Table 2 |      | nA            |
| 3   | Forward Voltage   | $V_F$    | As per Table 2           | As per Table 2  | As per Table 2 |      | V             |
| 4   | Total Capacitance | $C_T$    | As per Table 2           | As per Table 2  | As per Table 2 |      | pF            |

**FIGURE 6 - BIAS CONDITIONS FOR IRRADIATION TESTING****NOTES**

1. A reverse bias of  $V_R = -8.0\text{V}$ , shall be applied.

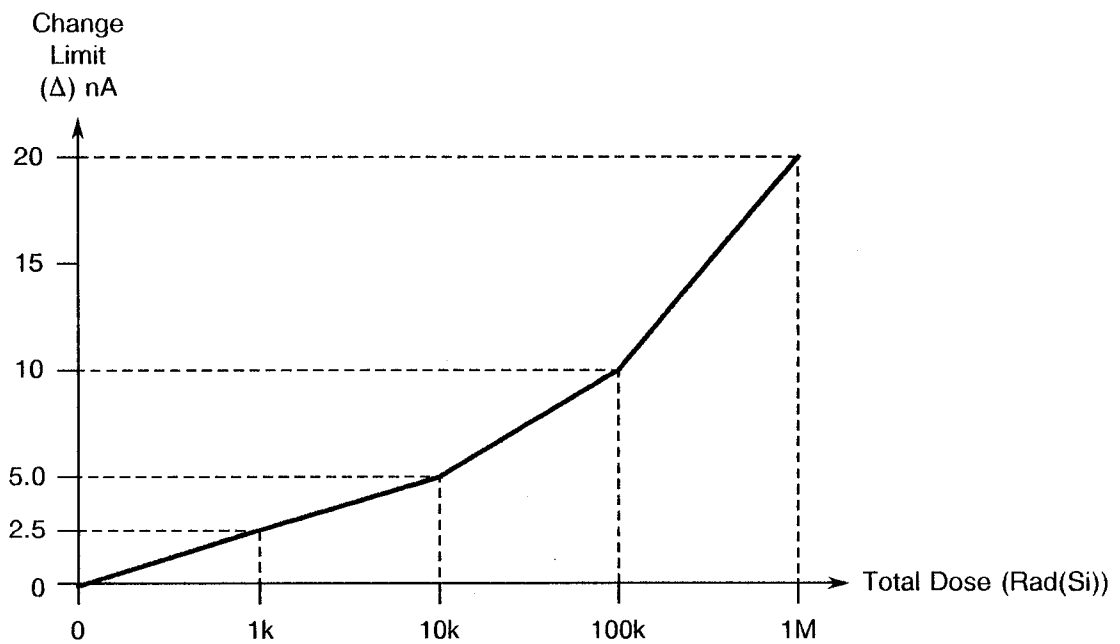



**TABLE 7 - ELECTRICAL MEASUREMENTS DURING AND ON COMPLETION OF IRRADIATION TESTING**

| No. | CHARACTERISTICS   | SYMBOL   | SPEC. AND/OR TEST METHOD | TEST CONDITIONS | CHANGE LIMITS ( $\Delta$ ) | UNIT |
|-----|-------------------|----------|--------------------------|-----------------|----------------------------|------|
| 2   | Reverse Current 2 | $I_{R2}$ | As per Table 2           | As per Table 2  | Note 1                     | nA   |

**NOTES**

1. The graph given below shall be used to determine the maximum permitted change.



|  |  |                            |
|--|--|----------------------------|
|  | <p>ESA/SCC Detail Specification<br/>No. 5512/011</p> | <p>PAGE 24<br/>ISSUE 1</p> |
|--|--|----------------------------|

**APPENDIX 'A'**

Page 1 of 1

AGREED DEVIATIONS FOR M/A-Com LTD. (G.B.)

| ITEMS AFFECTED | DESCRIPTION OF DEVIATIONS   |
|----------------|---|
| Para. 4.2.2    | Para. 9.4, "High Temperature Stabilisation Bake":<br>May be performed at +125(+0-3) °C. |