



europaean space agency
agence spatiale européenne

Pages 1 to 30

DIODES, MICROWAVE, SILICON,



PIN, HIGH POWER,

BASED ON TYPES ML4648 THRU ML4655

ESA/SCC Detail Specification No. 5513/013



**space components
coordination group**

Issue/Rev.	Date	Approved by	
		SCCG Chairman	ESA Director General or his Deputy
Issue 1	May 1993		



SCC

ESA/SCC Detail Specification
No. 5513/013

PAGE 2

ISSUE 1

DOCUMENTATION CHANGE NOTICE

Rev. Letter	Rev. Date	Reference	CHANGE Item	Approved DCR No.

TABLE OF CONTENTS

		<u>Page</u>
1.	<u>GENERAL</u>	5
1.1	Scope	5
1.2	Type Variants	5
1.3	Maximum Ratings	5
1.4	Parameter Derating Information	5
1.5	Physical Dimensions	5
1.6	Functional Diagram	5
1.7	Handling Precautions	5
2.	<u>APPLICABLE DOCUMENTS</u>	5
3.	<u>TERMS, DEFINITIONS, ABBREVIATIONS, SYMBOLS AND UNITS</u>	5
4.	<u>REQUIREMENTS</u>	19
4.1	General	19
4.2	Deviations from Generic Specification	19
4.2.1	Deviations from Special In-process Controls	19
4.2.2	Deviations from Final Production Tests	19
4.2.3	Deviations from Burn-in and Electrical Measurements	19
4.2.4	Deviations from Qualification Tests	19
4.2.5	Deviations from Lot Acceptance Tests	19
4.3	Mechanical and Environmental Requirements	20
4.3.1	Dimension Check	20
4.3.2	Weight	20
4.3.3	Terminal Strength	20
4.4	Materials and Finishes	21
4.4.1	Case	21
4.4.2	Lead Materials and Finish	21
4.5	Marking	21
4.5.1	General	21
4.5.2	Cathode Identification	22
4.5.3	The SCC Component Number	22
4.5.4	Traceability Information	22
4.6	Electrical Measurements	22
4.6.1	Electrical Measurements at Room Temperature	22
4.6.2	Electrical Measurements at High and Low Temperatures	22
4.6.3	Circuits for Electrical Measurements	22
4.7	Burn-in Tests	22
4.7.1	Parameter Drift Values	22
4.7.2	Conditions for High Temperature Reverse Bias Burn-in	22
4.7.3	Conditions for Power Burn-in	23
4.7.4	Electrical Circuits for High Temperature Reverse Bias and Power Burn-in	23
4.8	Environmental and Endurance Tests	28
4.8.1	Electrical Measurements on Completion of Environmental Tests	28
4.8.2	Electrical Measurements at Intermediate Points and on Completion of Endurance Tests	28
4.8.3	Conditions for Operating Life Tests	28
4.8.4	Electrical Circuits for Operating Life Tests	28
4.9	Total Dose Irradiation Testing	28
4.9.1	Application	28
4.9.2	Bias Conditions	28
4.9.3	Electrical Measurements	28
4.10	Special Testing	28

TABLES


		<u>Page</u>
1(a)	Type Variants	6
1(b)	Maximum Ratings	9
2	Electrical Measurements at Room Temperature - D.C. Parameters	24
	Electrical Measurements at Room Temperature - A.C. Parameters	24
3	Electrical Measurements at High and Low Temperatures	25
4	Parameter Drift Values	25
5(a)	Conditions for High Temperature Reverse Bias Burn-in	27
5(b)	Conditions for Power Burn-in	27
5(c)	Conditions for Operating Life Tests	27
6	Electrical Measurements at Intermediate Points and on Completion of Endurance Testing	29
7	Electrical Measurements During and on Completion of Irradiation Testing	30

FIGURES

1	Parameter Derating Information	10
2	Physical Dimensions	11
3	Functional Diagram	18
4	Circuits for Electrical Measurements	26
5(a)	Electrical Circuit for High Temperature Reverse Bias Burn-in	27
5(b)	Electrical Circuit for Power Burn-in and Operating Life Tests	27
6	Bias Conditions for Irradiation Testing	29

APPENDICES (Applicable to specific Manufacturers only)

None.

	<p style="text-align: center;">ESA/SCC Detail Specification No. 5513/013</p>		<p>PAGE 5 ISSUE 1</p>
---	--	--	---------------------------

1. GENERAL

1.1 SCOPE

This specification details the ratings, physical and electrical characteristics, test and inspection data for a Diode, Microwave, Silicon, PIN, High Power, based on Types ML4648 thru ML4655. It shall be read in conjunction with ESA/SCC Generic Specification No. 5010, the requirements of which are supplemented herein.

1.2 TYPE VARIANTS

Variants of the basic diodes specified herein, which are also covered by this specification are given in Table 1(a).

1.3 MAXIMUM RATINGS

The maximum ratings, which shall not be exceeded at any time during use or storage, applicable to the diodes specified herein, are as scheduled in Table 1(b).

1.4 PARAMETER DERATING INFORMATION

The derating information applicable to the diodes specified herein is shown in Figure 1.

1.5 PHYSICAL DIMENSIONS

The physical dimensions of the diodes specified herein are shown in Figure 2.

1.6 FUNCTIONAL DIAGRAM

The functional diagram, showing lead identification, of the diodes specified herein, is shown in Figure 3.

1.7 HANDLING PRECAUTIONS

These devices are susceptible to damage by electrostatic discharge. Therefore, suitable precautions shall be employed for protection during all phases of manufacture, testing, packaging, shipment and any handling.

These components are Categorised as Class 2 with a Minimum Critical Path Failure Voltage of 3600V.

2. APPLICABLE DOCUMENTS

The following documents form part of this specification and shall be read in conjunction with it:-

- (a) ESA/SCC Generic Specification No. 5010 for Discrete Microwave Semiconductor Components.
- (b) MIL-STD-750, Test Methods and Procedures for Semiconductor Devices.

3. TERMS, DEFINITIONS, ABBREVIATIONS, SYMBOLS AND UNITS

For the purpose of this specification, the terms, definitions, abbreviations, symbols and units specified in ESA/SCC Basic Specification No. 21300 shall apply.



TABLE 1(a) - TYPE VARIANTS

(1) VARIANT	(2) BASED ON TYPE	(3) FIGURE	(4) TOTAL CAPACITANCE C_T (pF)		(5) JUNCTION CAPACITANCE C_J (pF) (Typical)	(6) BODY-LID AND LEAD MATERIAL AND FINISH
			MIN	MAX		
01	ML4648 - 30	2(a)	0.25	0.35	0.1	A7-D2
02	ML4648 - 31	2(b)	0.25	0.35	0.1	A7-D2
03	ML4648 - 32	2(c)	0.36	0.46	0.1	A7-D2
04	ML4648 - 34	2(d)	0.45	0.55	0.1	A7-D2
05	ML4648 - 36	2(e)	0.25	0.35	0.1	A7-D2
06	ML4648 - 43	2(f)	0.85	0.95	0.1	A7-D2
07	ML4648 - 56	2(g)	0.58	0.68	0.1	A7-D2
08	ML4648 - 91	2(h)	0.36	0.46	0.1	A7-D2
09	ML4648 - 92	2(i)	0.36	0.46	0.1	A7-D2
10	ML4648 - 101	2(j)	0.55	0.65	0.1	A7-D2
11	ML4648 - 103	2(k)	0.35	0.45	0.1	A7-D2
12	ML4648 - 255	2(l)	0.35	0.45	0.1	A7
13	ML4648 - 186	2(m)	0.20	0.30	0.1	D2
14	ML4649 - 30	2(a)	0.35	0.45	0.2	A7-D2
15	ML4649 - 31	2(b)	0.35	0.45	0.2	A7-D2
16	ML4649 - 32	2(c)	0.46	0.56	0.2	A7-D2
17	ML4649 - 34	2(d)	0.55	0.65	0.2	A7-D2
18	ML4649 - 36	2(e)	0.35	0.45	0.2	A7-D2
19	ML4649 - 43	2(f)	0.95	1.05	0.2	A7-D2
20	ML4649 - 56	2(g)	0.68	0.78	0.2	A7-D2
21	ML4649 - 91	2(h)	0.46	0.56	0.2	A7-D2
22	ML4649 - 92	2(i)	0.46	0.56	0.2	A7-D2
23	ML4649 - 101	2(j)	0.65	0.75	0.2	A7-D2
24	ML4649 - 103	2(k)	0.45	0.55	0.2	A7-D2
25	ML4649 - 255	2(l)	0.45	0.55	0.2	A7
26	ML4650 - 30	2(a)	0.45	0.60	0.3	A7-D2
27	ML4650 - 31	2(b)	0.45	0.60	0.3	A7-D2
28	ML4650 - 32	2(c)	0.56	0.71	0.3	A7-D2
29	ML4650 - 34	2(d)	0.65	0.80	0.3	A7-D2
30	ML4650 - 36	2(e)	0.45	0.60	0.3	A7-D2
31	ML4650 - 43	2(f)	1.05	1.20	0.3	A7-D2
32	ML4650 - 56	2(g)	0.75	0.90	0.3	A7-D2
33	ML4650 - 91	2(h)	0.56	0.71	0.3	A7-D2
34	ML4650 - 92	2(i)	0.56	0.71	0.3	A7-D2
35	ML4650 - 101	2(j)	0.75	0.90	0.3	A7-D2
36	ML4650 - 103	2(k)	0.55	0.70	0.3	A7-D2
37	ML4650 - 255	2(l)	0.55	0.70	0.3	A7



TABLE 1(a) - TYPE VARIANTS (CONT'D)

(1) VARIANT	(2) BASED ON TYPE	(3) FIGURE	(4) TOTAL CAPACITANCE C_T (pF)		(5) JUNCTION CAPACITANCE C_J (pF) (Typical)	(6) BODY-LID AND LEAD MATERIAL AND FINISH
			MIN	MAX		
38	ML4651 - 34	2(d)	0.80	1.00	0.5	A7-D2
39	ML4651 - 43	2(f)	1.20	1.40	0.5	A7-D2
40	ML4651 - 56	2(g)	0.93	1.13	0.5	A7-D2
41	ML4651 - 101	2(j)	0.90	1.10	0.5	A7-D2
42	ML4652 - 30	2(a)	0.25	0.35	0.1	A7-D2
43	ML4652 - 31	2(b)	0.25	0.35	0.1	A7-D2
44	ML4652 - 32	2(c)	0.36	0.46	0.1	A7-D2
45	ML4652 - 34	2(d)	0.45	0.55	0.1	A7-D2
46	ML4652 - 36	2(e)	0.25	0.35	0.1	A7-D2
47	ML4652 - 43	2(f)	0.85	0.95	0.1	A7-D2
48	ML4652 - 56	2(g)	0.58	0.68	0.1	A7-D2
49	ML4652 - 91	2(h)	0.36	0.46	0.1	A7-D2
50	ML4652 - 92	2(i)	0.36	0.46	0.1	A7-D2
51	ML4652 - 101	2(j)	0.55	0.65	0.1	A7-D2
52	ML4652 - 103	2(k)	0.36	0.46	0.1	A7-D2
53	ML4652 - 255	2(l)	0.45	0.55	0.1	A7
54	ML4652 - 186	2(m)	0.20	0.30	0.1	D2
55	ML4653 - 30	2(a)	0.35	0.45	0.2	A7-D2
56	ML4653 - 31	2(b)	0.35	0.45	0.2	A7-D2
57	ML4653 - 32	2(c)	0.46	0.56	0.2	A7-D2
58	ML4653 - 34	2(d)	0.55	0.65	0.2	A7-D2
59	ML4653 - 36	2(e)	0.35	0.45	0.2	A7-D2
60	ML4653 - 43	2(f)	0.95	1.05	0.2	A7-D2
61	ML4653 - 56	2(g)	0.68	0.78	0.2	A7-D2
62	ML4653 - 91	2(h)	0.46	0.56	0.2	A7-D2
63	ML4653 - 92	2(i)	0.46	0.56	0.2	A7-D2
64	ML4653 - 101	2(j)	0.65	0.75	0.2	A7-D2
65	ML4653 - 103	2(k)	0.46	0.56	0.2	A7-D2
66	ML4653 - 255	2(l)	0.45	0.55	0.2	A7
67	ML4654 - 30	2(a)	0.45	0.60	0.3	A7-D2
68	ML4654 - 31	2(b)	0.45	0.60	0.3	A7-D2
69	ML4654 - 32	2(c)	0.56	0.71	0.3	A7-D2
70	ML4654 - 34	2(d)	0.65	0.80	0.3	A7-D2
71	ML4654 - 36	2(e)	0.45	0.60	0.3	A7-D2
72	ML4654 - 43	2(f)	1.05	1.20	0.3	A7-D2
73	ML4654 - 56	2(g)	0.78	0.93	0.3	A7-D2



TABLE 1(a) - TYPE VARIANTS (CONT'D)

(1) VARIANT	(2) BASED ON TYPE	(3) FIGURE	(4) TOTAL CAPACITANCE C_T (pF)		(5) JUNCTION CAPACITANCE C_J (pF) (Typical)	(6) BODY-LID AND LEAD MATERIAL AND FINISH
			MIN	MAX		
74	ML4654 - 91	2(h)	0.56	0.71	0.3	A7-D2
75	ML4654 - 92	2(i)	0.56	0.71	0.3	A7-D2
76	ML4654 - 101	2(j)	0.75	0.90	0.3	A7-D2
77	ML4654 - 103	2(k)	0.56	0.71	0.3	A7-D2
78	ML4654 - 255	2(l)	0.55	0.70	0.3	A7
79	ML4655 - 34	2(d)	0.80	1.00	0.5	A7-D2
80	ML4655 - 43	2(f)	1.20	1.40	0.5	A7-D2
81	ML4655 - 56	2(g)	0.93	1.13	0.5	A7-D2
82	ML4655 - 101	2(j)	0.90	1.10	0.5	A7-D2

TABLE 1(b) - MAXIMUM RATINGS

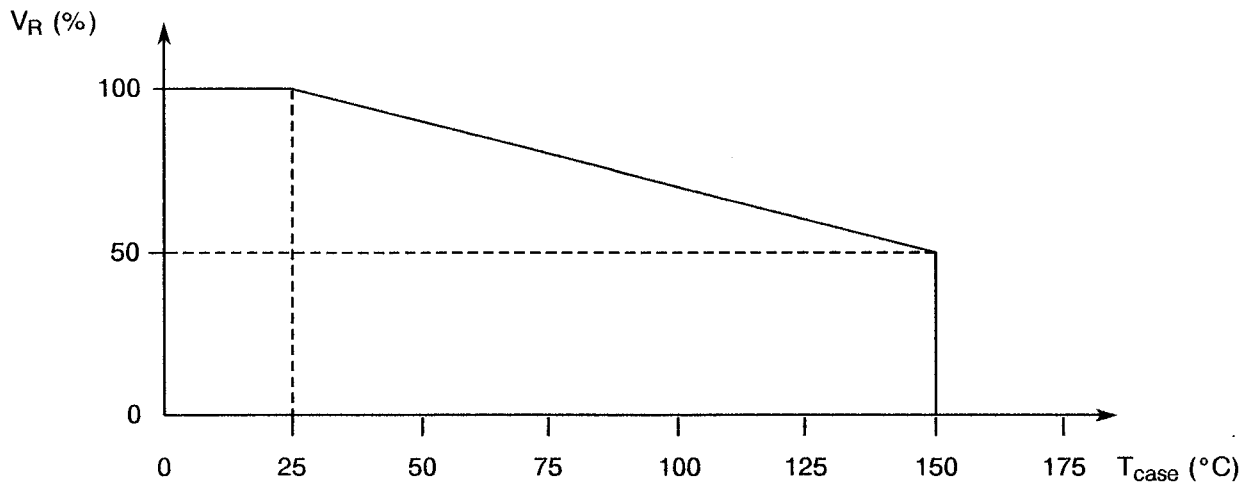
No.	CHARACTERISTIC	SYMBOL	MAXIMUM RATINGS	UNIT	REMARKS
1	D.C. Reverse Voltage Variants 01 to 41 Variants 42 to 82	V_R	- 500 - 600	V	Note 1
2	D.C. Forward Current (Continuous)	I_F	250	mA	Note 2
3	R.F. Power Dissipation Variants 01 to 12 Variant 13 Variants 14 to 25 Variants 26 to 41 Variants 42 to 53 Variant 54 Variants 55 to 66 Variants 67 to 82	P_{tot}	5.0 0.6 6.2 8.3 5.0 0.6 6.2 8.3	W	Note 1
4	Operating Temperature Range	T_{op}	- 65 to + 150	°C	T_{case}
5	Storage Temperature Range	T_{stg}	- 65 to + 150	°C	
6	Soldering Temperature	T_{sol}	+ 230	°C	Note 3

NOTES

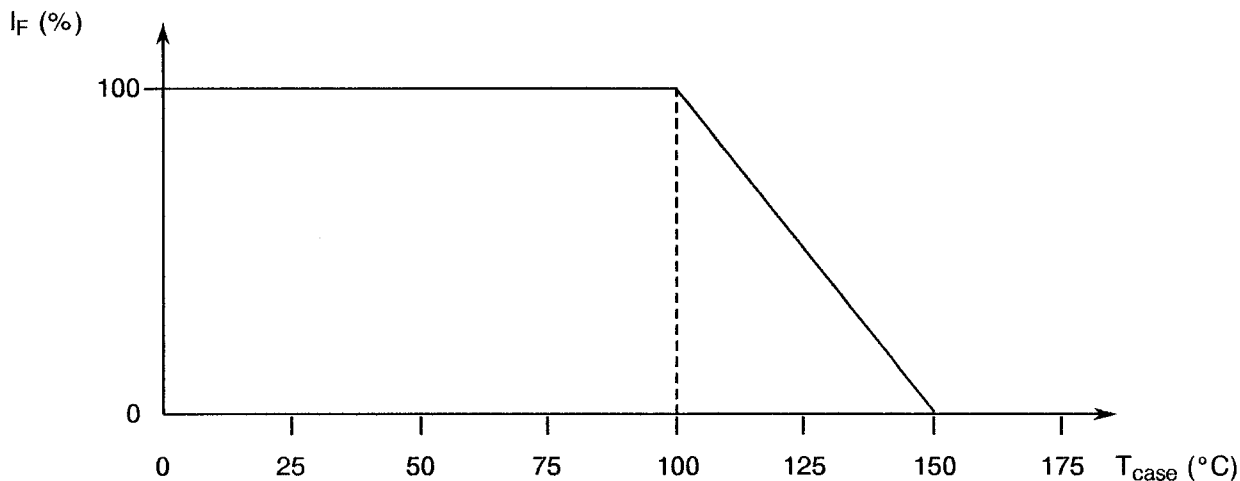
1. At $T_{case} = +25^{\circ}C$. For derating at $T_{case} > +25^{\circ}C$, see Figure 1.
2. At $T_{case} = +100^{\circ}C$. For derating at $T_{case} > +100^{\circ}C$, see Figure 1.
3. Duration 5 seconds maximum (at a distance of not less than 1.5mm from the body for Variants 13 and 54) and the same termination shall not be resoldered until 3 minutes have elapsed.



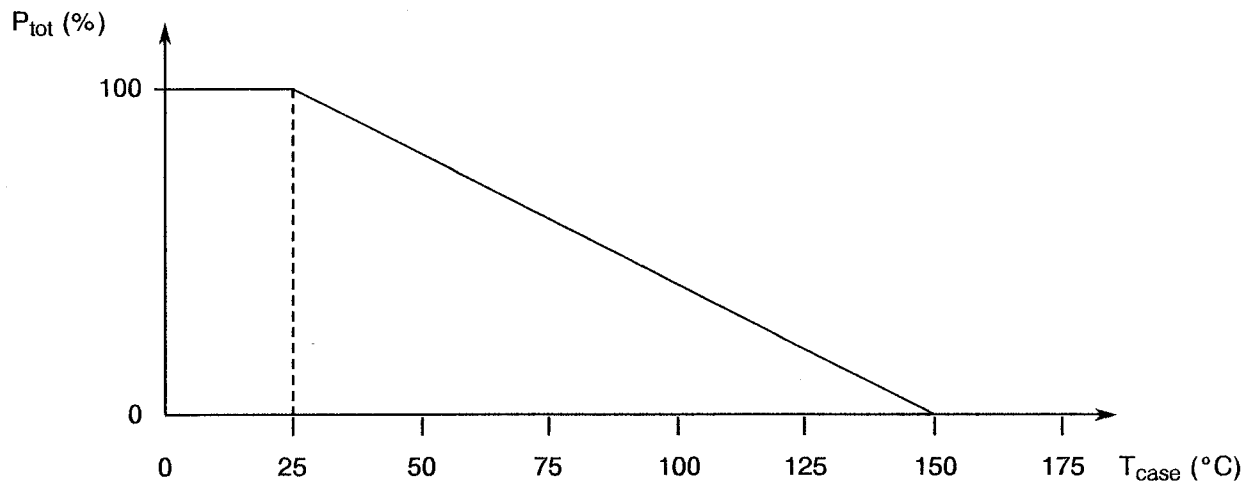
FIGURE 1 - PARAMETER DERATING INFORMATION



Reverse Voltage versus Temperature



Forward Current versus Temperature



Power Dissipation versus Temperature



FIGURE 2 - PHYSICAL DIMENSIONS

FIGURE 2(a) - VARIANTS 01, 14, 26, 42, 55, 67

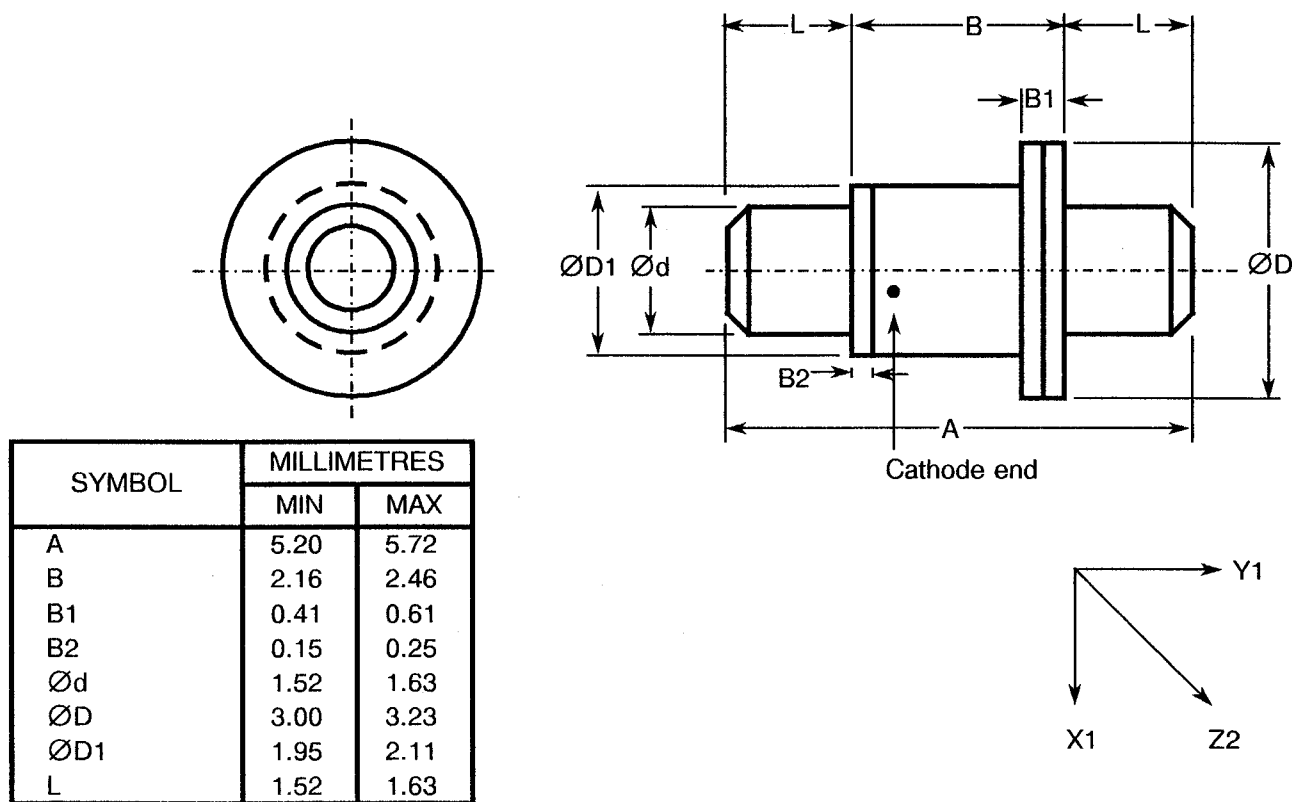


FIGURE 2(b) - VARIANTS 02, 15, 27, 43, 56, 68

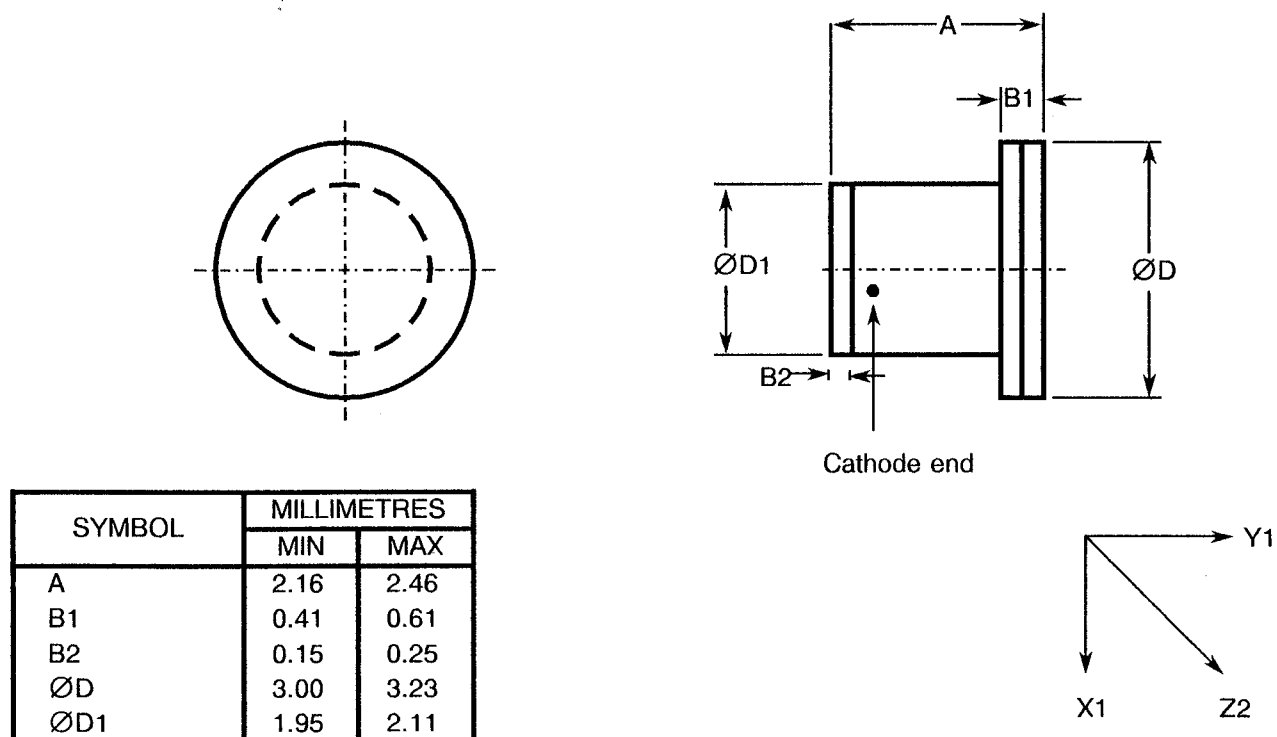
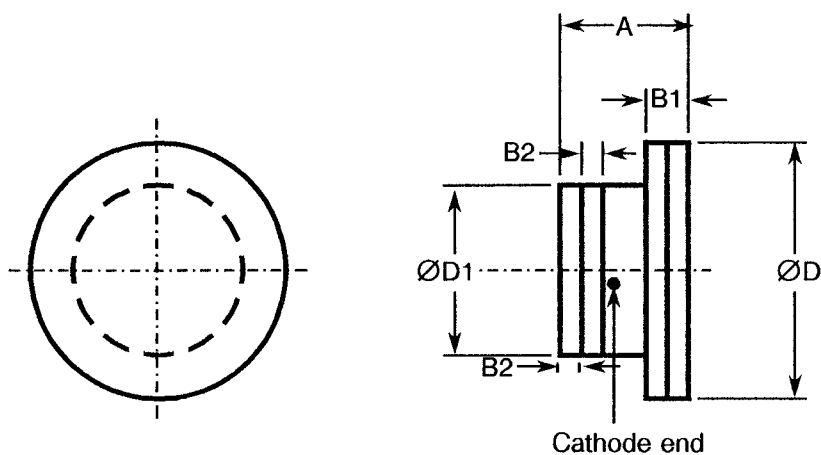


FIGURE 2 - PHYSICAL DIMENSIONS (CONTINUED)

FIGURE 2(c) - VARIANTS 03, 16, 28, 44, 57, 69



SYMBOL	MILLIMETRES	
	MIN	MAX
A	1.37	1.68
B1	0.41	0.61
B2	0.15	0.20
ØD	3.00	3.23
ØD1	1.95	2.11

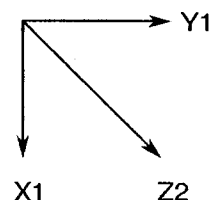
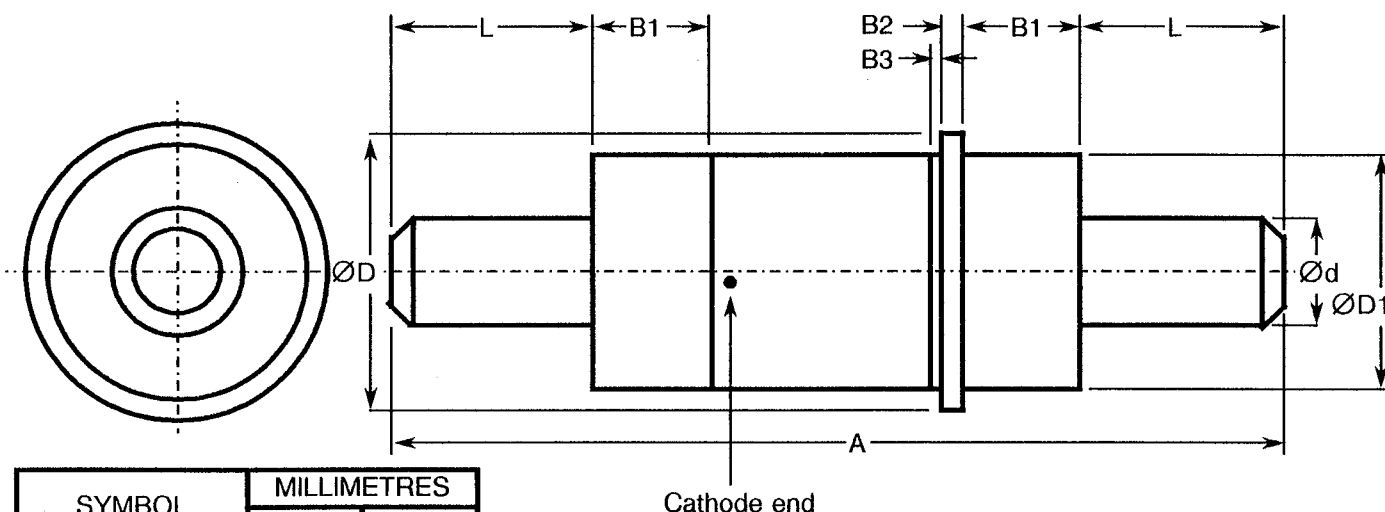


FIGURE 2(d) - VARIANTS 04, 17, 29, 38, 45, 58, 70, 79



SYMBOL	MILLIMETRES	
	MIN	MAX
A	19.45	20.12
B1	2.54	-
B2	0.53	0.83
B3	0.19	0.41
Ød	2.33	2.44
ØD	-	6.10
ØD1	5.20	5.46
L	4.57	4.83

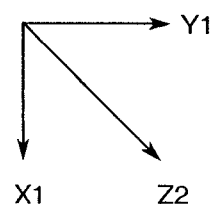
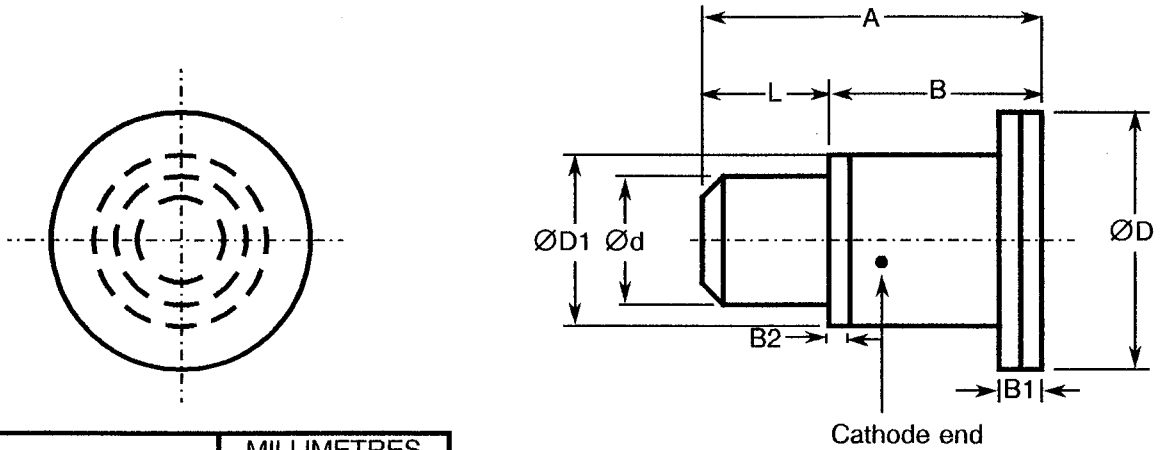




FIGURE 2 - PHYSICAL DIMENSIONS (CONTINUED)

FIGURE 2(e) - VARIANTS 05, 18, 30, 46, 59, 71



SYMBOL	MILLIMETRES	
	MIN	MAX
A	3.60	4.18
B	2.16	2.46
B1	0.41	0.61
B2	0.15	0.25
$\varnothing d$	1.52	1.63
$\varnothing D$	3.00	3.23
$\varnothing D1$	1.95	2.11
L	1.52	1.63

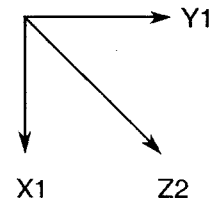
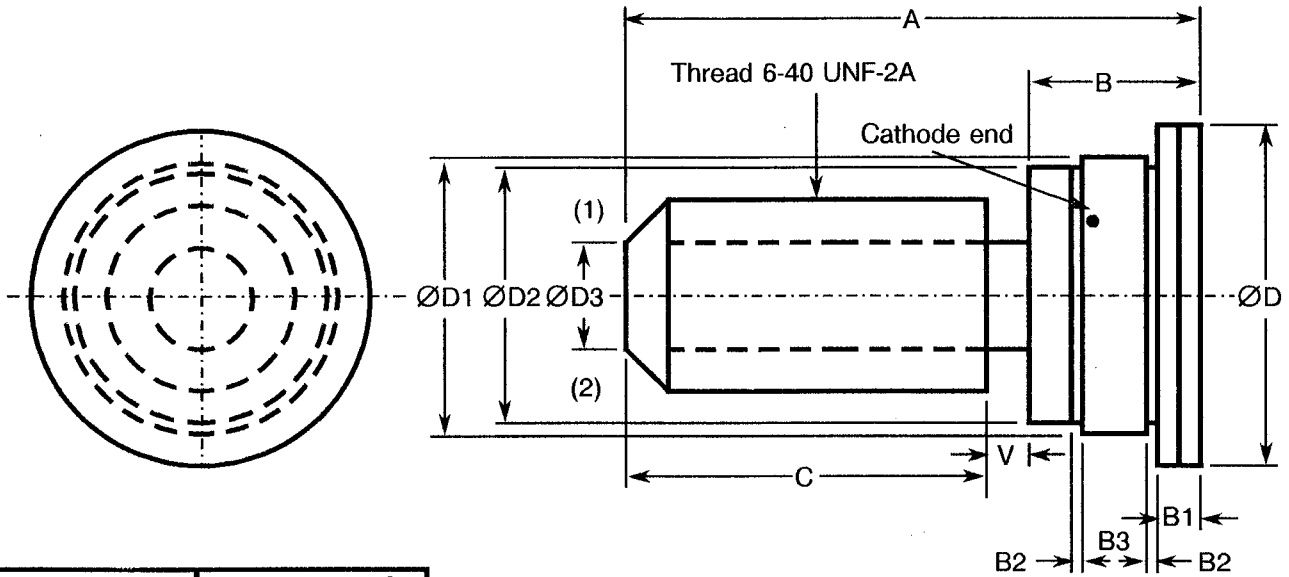


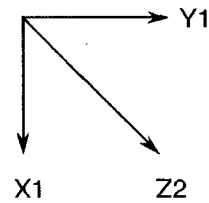


FIGURE 2 - PHYSICAL DIMENSIONS (CONTINUED)

FIGURE 2(f) - VARIANTS 06, 19, 31, 39, 47, 60, 72, 80



SYMBOL	MILLIMETRES	
	MIN	MAX
A	11.18	11.68
B	3.02	3.66
B1	0.64	0.89
B2	0.18	0.23
B3	1.17	1.27
C	6.50	7.90
ØD	6.48	6.73
ØD1	5.20	5.50
ØD2	4.80	5.20
ØD3	2.00	2.70
V	0.76	1.02



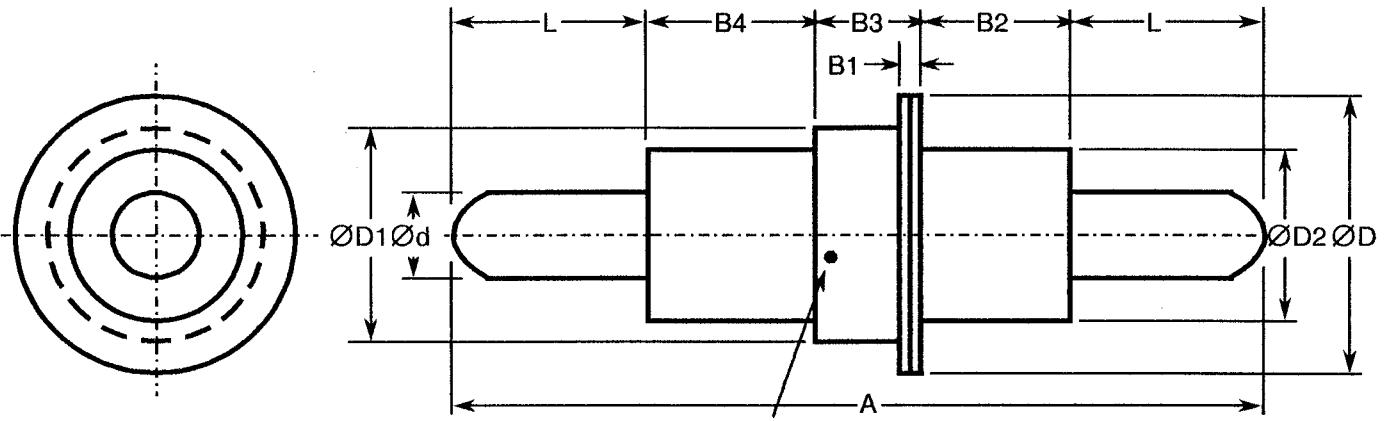
NOTES

1. Spline socket to fit S-072 Bristol spline key 1.78mm deep.
2. 0.51mm x 45°.



FIGURE 2 - PHYSICAL DIMENSIONS (CONTINUED)

FIGURE 2(g) - VARIANTS 07, 20, 32, 40, 48, 61, 73, 81



SYMBOL	MILLIMETRES	
	MIN	MAX
A	19.46	20.12
B1	-	0.76
B2	3.00	3.60
B3	2.41	2.67
B4	3.68	3.94
Ød	2.33	2.39
ØD	-	6.10
ØD1	4.72	4.83
ØD2	3.81	4.19
L	4.57	4.83

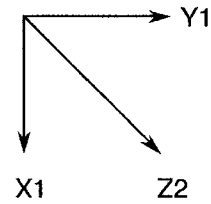
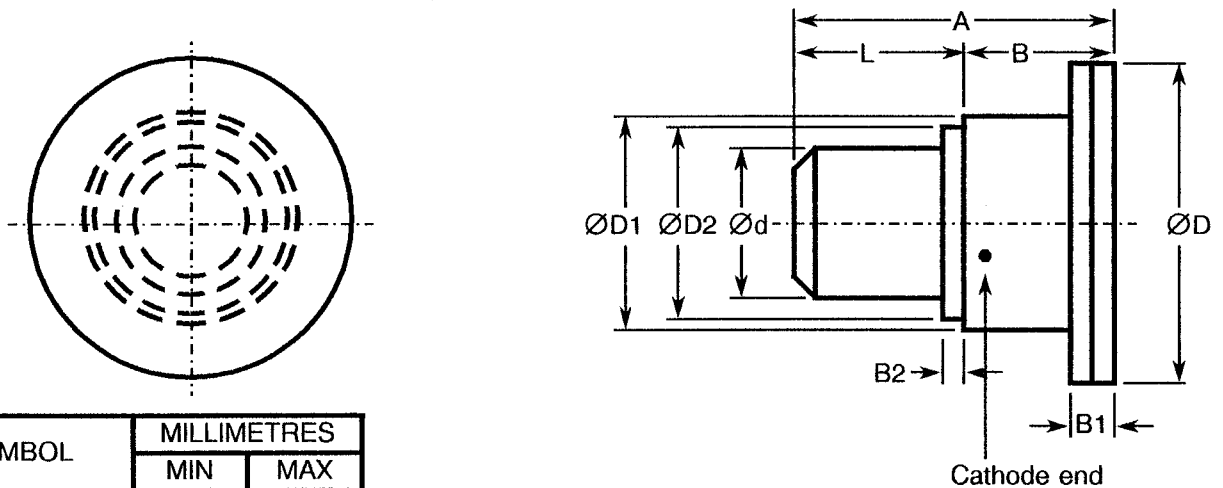


FIGURE 2(h) - VARIANTS 08, 21, 33, 49, 62, 74



SYMBOL	MILLIMETRES	
	MIN	MAX
A	2.92	3.28
B	1.40	1.65
B1	0.41	0.61
B2	0.15	0.20
Ød	1.52	1.63
ØD	3.00	3.23
ØD1	1.95	2.11
ØD2	1.85	2.03
L	1.52	1.63

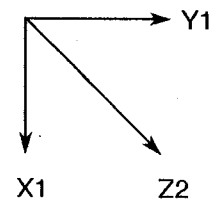




FIGURE 2 - PHYSICAL DIMENSIONS (CONTINUED)

FIGURE 2(i) - VARIANTS 09, 22, 34, 50, 63, 75

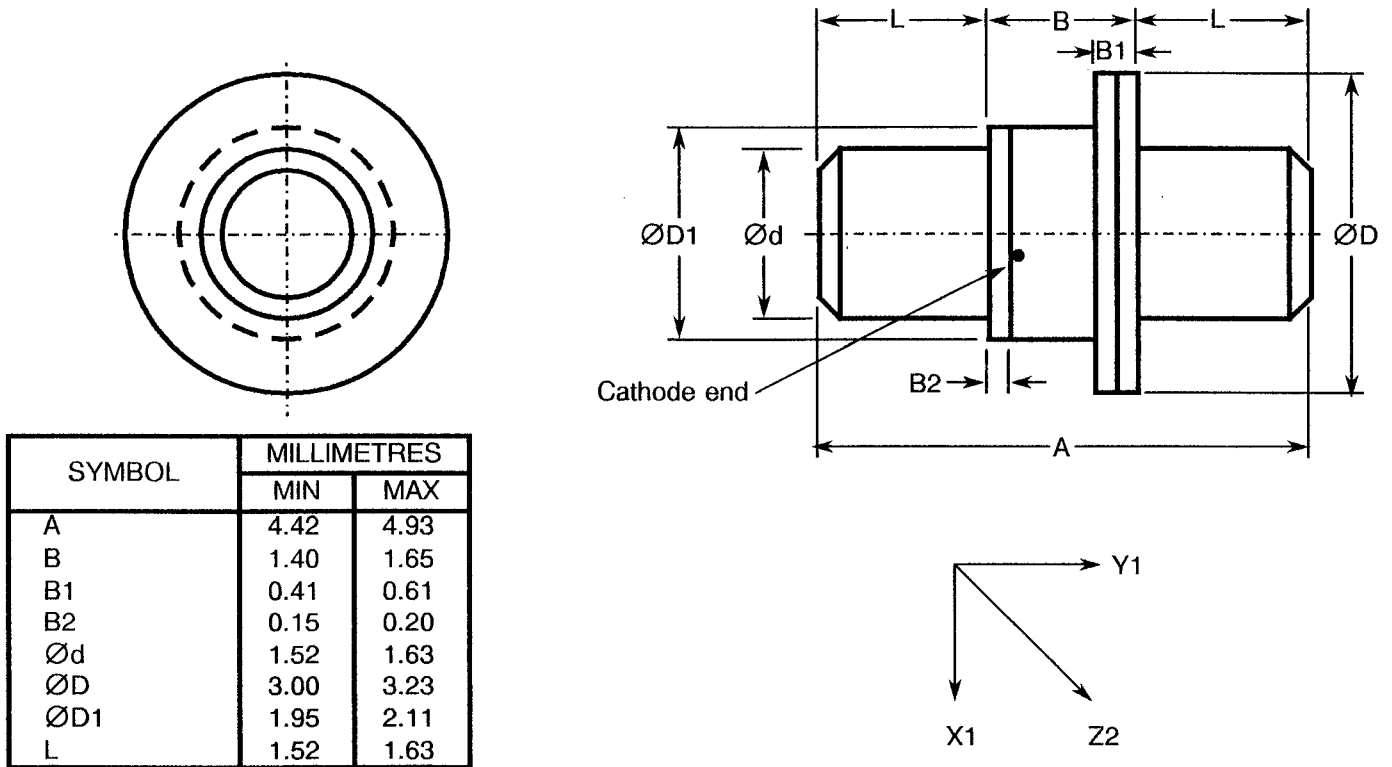


FIGURE 2(ii) - VARIANTS 10, 23, 35, 41, 51, 64, 76, 82

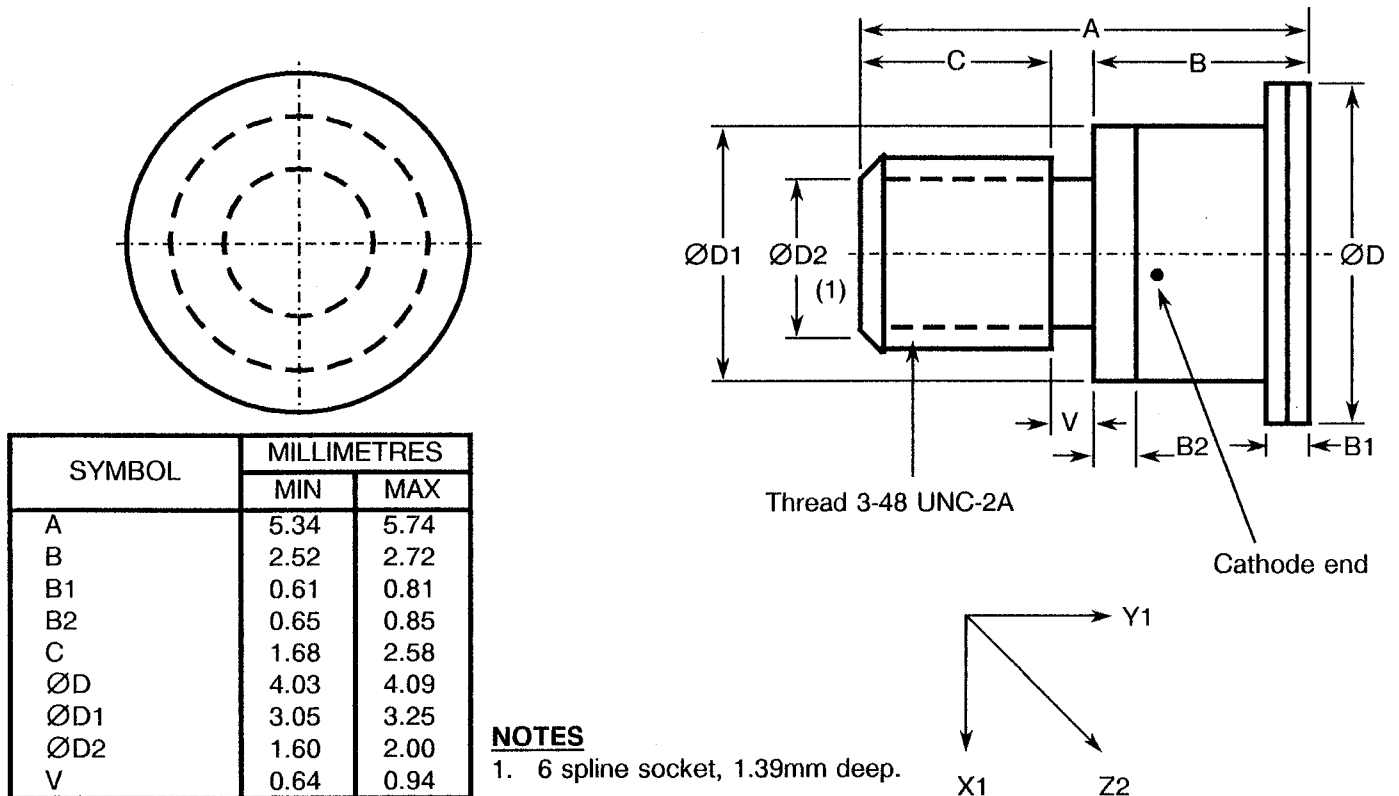




FIGURE 2 - PHYSICAL DIMENSIONS (CONTINUED)

FIGURE 2(k) - VARIANTS 11, 24, 36, 52, 65, 77

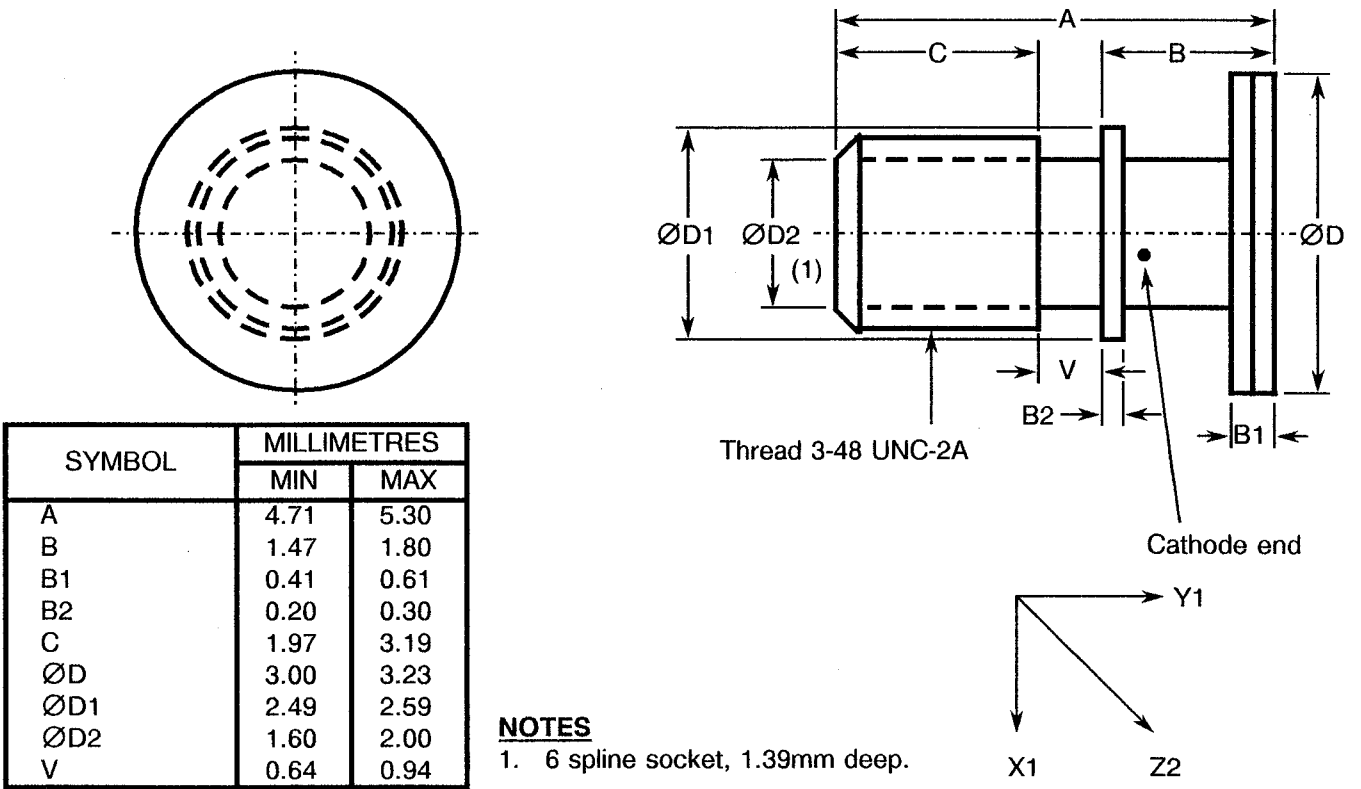


FIGURE 2(l) - VARIANTS 12, 25, 37, 53, 66, 78

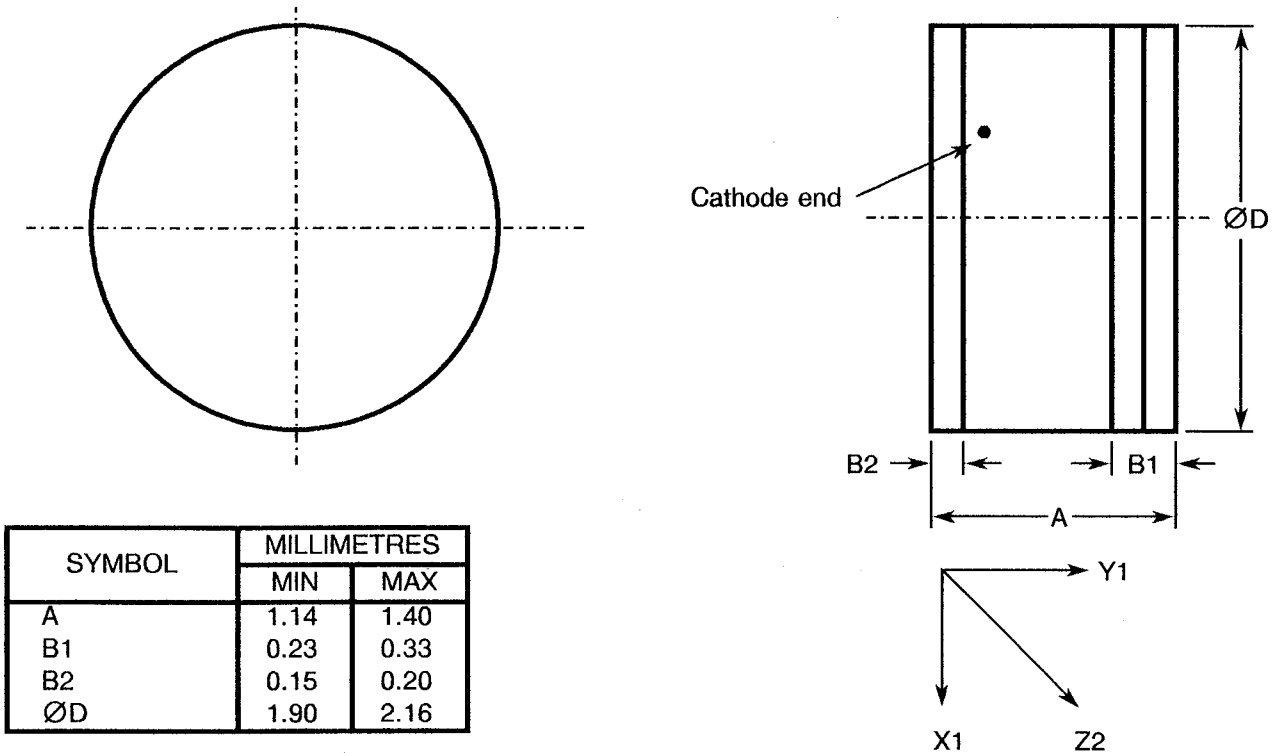
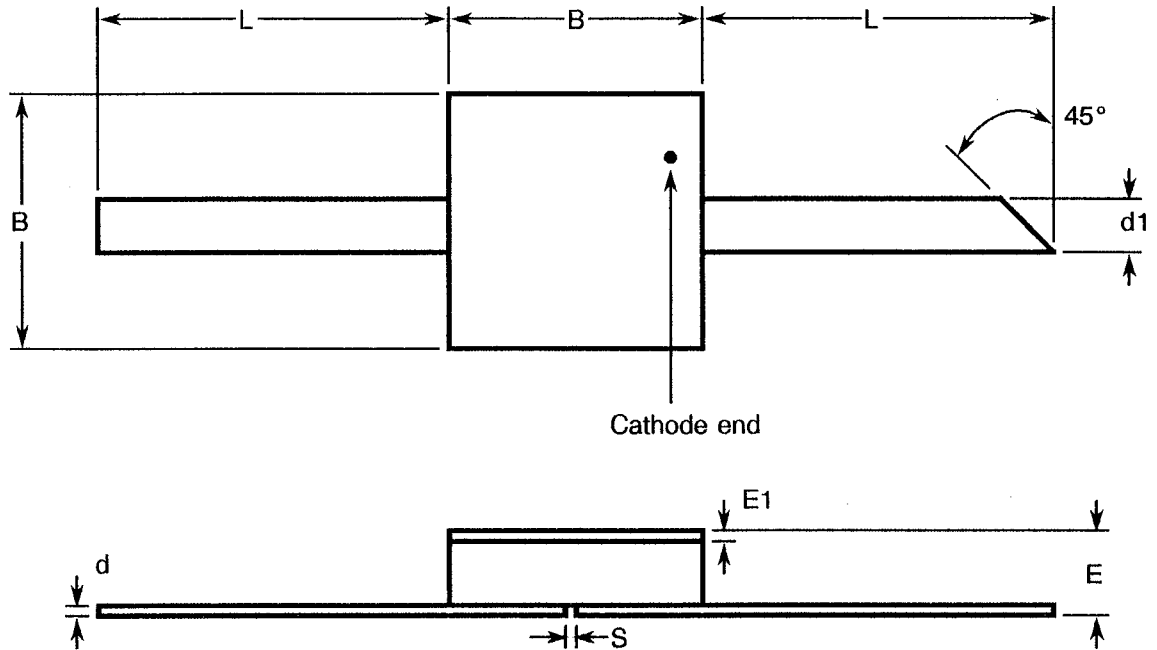




FIGURE 2 - PHYSICAL DIMENSIONS (CONTINUED)

FIGURE 2(m) - VARIANTS 13, 54



SYMBOL	MILLIMETRES	
	MIN	MAX
B	2.39	2.62
d	0.07	0.15
d1	0.48	0.56
E	0.79	1.12
E1	0.10	0.18
L	3.30	5.84
S	0.10	-

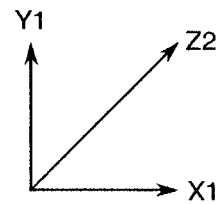



FIGURE 3 - FUNCTIONAL DIAGRAM



- 1. Anode
- 2. Cathode

NOTES

- 1. The cathode end shall be marked with a black dot or band. The marking will not be on the cathode connection but adjacent to it.

	ESA/SCC Detail Specification No. 5513/013		PAGE 19 ISSUE 1
---	--	--	--------------------

4. REQUIREMENTS

4.1 GENERAL

The complete requirements for procurement of the diodes specified herein shall be as stated in this specification and ESA/SCC Generic Specification No. 5010 for Discrete Microwave Semiconductor Components. Deviations from the Generic Specification applicable to this specification only, are listed in Para. 4.2.

Deviations from the applicable Generic Specification and this Detail Specification, formally agreed with specific Manufacturers on the basis that the alternative requirements are equivalent to the ESA/SCC requirements and do not affect the components' reliability, are listed in the appendices attached to this specification.

4.2 DEVIATIONS FROM GENERIC SPECIFICATION

4.2.1 Deviations from Special In-process Controls

- (a) Para. 5.2.2, Total Dose Irradiation Testing: Shall be performed during qualification and extension of qualification.
- (b) Para. 5.2.2, Total Dose Irradiation Testing: Shall be performed during procurement on a lot acceptance basis at the total dose irradiation level specified in the purchase order.
- (c) Para. 5.3, Wafer Lot Acceptance: Shall be performed as an S.E.M. Inspection only.

4.2.2 Deviations from Final Production Tests (Chart II)

- (a) Para. 6.2, Pre-burn-in: Shall be performed in accordance with Para. 9.21(a).
- (b) Para. 9.14, Vibration, Variable Frequency: Shall not be performed.

4.2.3 Deviations from Burn-in and Electrical Measurements (Chart III)

- (a) Para. 7.1.1(a), High Temperature Reverse Bias Burn-in: Shall be performed at 50% of rated V_R .

4.2.4 Deviations from Qualification Tests (Chart IV)

- (a) Para. 9.23, Special Testing: Shall not be performed.

4.2.5 Deviations from Lot Acceptance Tests (Chart V)

- (a) Para. 9.23, Special Testing: Shall not be performed.



4.3 MECHANICAL AND ENVIRONMENTAL REQUIREMENTS

4.3.1 Dimension Check

The dimensions of the diodes specified herein shall be checked. They shall conform to those shown in Figure 2.

4.3.2 Weight

The maximum weight of the diodes specified herein shall be:

Variant No.	Weight (g)
01, 14, 26, 42, 55, 67	0.12
02, 15, 27, 43, 56, 68	0.06
03, 16, 28, 44, 57, 69	0.08
04, 17, 29, 38, 45, 58, 70, 79	2.14
05, 18, 30, 46, 59, 71	0.10
06, 19, 31, 39, 47, 60, 72, 80	1.10

Variant No.	Weight (g)
07, 20, 32, 40, 48, 61, 73, 81	1.80
08, 21, 33, 49, 62, 74	0.11
09, 22, 34, 50, 63, 75	0.13
10, 23, 35, 41, 51, 64, 76, 82	0.24
11, 24, 36, 52, 65, 77	0.14
12, 25, 37, 53, 66, 78	0.08
13, 54	0.06

4.3.3 Terminal Strength

The requirements for terminal strength testing are specified in Section 9 of ESA/SCC Generic Specification No. 5010. The test conditions shall be as follows:-

(a) **Condition: 'A' (Tension)**

Variants 13 and 54:

- Force: 5.1N.
- Duration: 5 seconds.



(b) **Condition: 'D2' (Stud Torque)**

Variants 06, 19, 31, 39, 47, 60, 72 and 80:

- Torque: 70mNm.
- Duration: 5 seconds.

Variants 10, 11, 23, 24, 35, 36, 41, 51, 52, 64, 65, 76, 77 and 82:

- Torque: 56mNm.
- Duration: 5 seconds.

 	<p style="text-align: center;">ESA/SCC Detail Specification No. 5513/013</p>	<p style="text-align: right;">PAGE 21 ISSUE 1</p>
--	--	---

(c) Condition: Compression

Variants 01, 02, 03, 04, 05, 06, 07, 08, 09, 10, 11, 12, 14, 15, 16, 17, 18, 19, 20, 21, 22, 23, 24, 25, 26, 27, 28, 29, 30, 31, 32, 33, 34, 35, 36, 37, 38, 39, 40, 41, 42, 43, 44, 45, 46, 47, 48, 49, 50, 51, 52, 53, 55, 56, 57, 58, 59, 60, 61, 62, 63, 64, 65, 66, 67, 68, 69, 70, 71, 72, 73, 74, 75, 76, 77, 78, 79, 80, 81 and 82:

- Force: 50N.
- Duration: 5 seconds.

The compression test shall be performed by applying the specified force to the end-cap by means of a suitable weight applied for the specified time. On completion of the test, a visual examination shall be performed to check for damage to the end-cap or the ceramic body.

4.4 MATERIALS AND FINISHES

The materials and finishes shall be as specified herein. Where a definite material is not specified, a material which will enable the diodes specified herein to meet the performance requirements of this specification shall be used. Acceptance or approval of any constituent material shall not guarantee acceptance of the finished product.

4.4.1 Case

The case shall be hermetically sealed and have a ceramic body. The lid shall be welded or preform soldered.

4.4.2 Lead Materials and Finish

- (a) For Variants 01, 02, 03, 04, 05, 06, 07, 08, 09, 10, 11, 14, 15, 16, 17, 18, 19, 20, 21, 22, 23, 24, 26, 27, 28, 29, 30, 31, 32, 33, 34, 35, 36, 38, 39, 40, 41, 42, 43, 44, 45, 46, 47, 48, 49, 50, 51, 52, 55, 56, 57, 58, 59, 60, 61, 62, 63, 64, 65, 67, 68, 69, 70, 71, 72, 73, 74, 75, 76, 77, 79, 80, 81 and 82, the body material shall be Type 'A' with Type '7' finish and the lid material shall be Type 'D' with Type '2' finish, in accordance with the requirements of ESA/SCC Basic Specification No. 23500.
- (b) For Variants 12, 25, 37, 53, 66 and 78, the lead material shall be Type 'A' with Type '7' finish in accordance with the requirements of ESA/SCC Basic Specification No. 23500.
- (c) For Variants 13 and 54, the lead material shall be Type 'D' with Type '2' finish in accordance with the requirements of ESA/SCC Basic Specification No. 23500.

4.5 MARKING

4.5.1 General

The marking of components delivered to this specification shall be in accordance with the requirements of ESA/SCC Basic Specification No. 21700 and the following paragraphs. When the component is too small to accommodate all of the marking specified, as much as space permits shall be marked and the marking information, in full, shall accompany the component in its primary package.

The information to be marked and the order of precedence, shall be as follows:-

- (a) Cathode Identification.
- (b) The SCC Component Number.
- (c) Traceability Information.

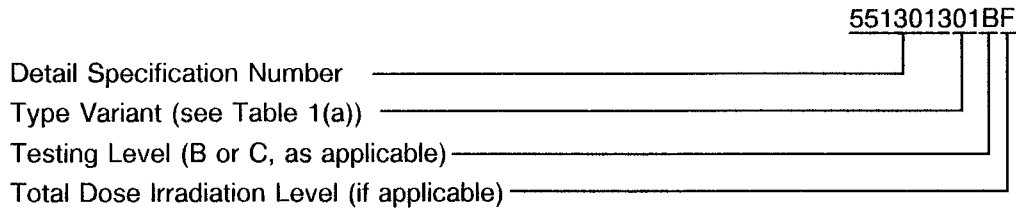


4.5.2 Cathode Identification

Cathode identification shall be as shown in Figures 2 and 3 of this specification.

4.5.3 The SCC Component Number

Each component shall bear the SCC Component Number which shall be constituted and marked as follows:



The Total Dose Irradiation Level designation shall be added for those devices for which a sample has been successfully tested to the level in question. For these devices, a code letter shall be added in accordance with the requirements of ESA/SCC Basic Specification No. 22900.

4.5.4 Traceability Information

Each component shall be marked in respect of traceability information as defined in ESA/SCC Basic Specification No. 21700.

4.6 ELECTRICAL MEASUREMENTS

4.6.1 Electrical Measurements at Room Temperature

The parameters to be measured at room temperature are scheduled in Table 2. Unless otherwise specified, the measurements shall be performed at $T_{amb} = +22 \pm 3$ °C.

4.6.2 Electrical Measurements at High and Low Temperatures

The parameters to be measured at high and low temperatures are scheduled in Table 3. Unless otherwise specified, the measurements shall be performed at $+150(+0-3)$ °C.

4.6.3 Circuits for Electrical Measurements

Circuits for use in performing electrical measurements listed in Table 2 of this specification are shown in Figure 4.

4.7 BURN-IN TESTS


Burn-in shall be Category 3 of Chart III(a).

4.7.1 Parameter Drift Values

The parameter drift values applicable to burn-in are specified in Table 4 of this specification. Unless otherwise stated, the measurements shall be performed at $T_{amb} = +22 \pm 3$ °C. The parameter drift values (Δ) applicable to the scheduled parameters shall not be exceeded. In addition to these drift value requirements for a given parameter, the appropriate limit value specified in Table 2 shall not be exceeded.

4.7.2 Conditions for High Temperature Reverse Bias Burn-in

The requirements for the high temperature reverse bias burn-in are specified in Section 7 of ESA/SCC Generic Specification No. 5010. The conditions for high temperature reverse bias burn-in shall be as specified in Table 5(a) of this specification.

 SCC	ESA/SCC Detail Specification No. 5513/013		PAGE 23 ISSUE 1
---	--	--	--------------------

4.7.3 Conditions for Power Burn-in

The requirements for power burn-in are specified in Section 7 of ESA/SCC Generic Specification No. 5010. The conditions for power burn-in shall be as specified in Table 5(b) of this specification.

4.7.4 Electrical Circuits for High Temperature Reverse Bias and Power Burn-in

Circuits for use in performing the H.T.R.B and power burn-in tests are shown in Figures 5(a) and 5(b) of this specification.

TABLE 2 - ELECTRICAL MEASUREMENTS AT ROOM TEMPERATURE - D.C. PARAMETERS

No.	CHARACTERISTICS	SYMBOL	MIL-STD-750 TEST METHOD	TEST CONDITIONS	LIMITS		UNIT
					MIN.	MAX.	
1	Reverse Current 1	I_{R1}	4016	Variants 01 to 41: $V_R = -500V$ Variants 42 to 82: $V_R = -600V$	-	10	μA
2	Reverse Current 2	I_{R2}	4016	Variants 01 to 41: $V_R = -250V$ Variants 42 to 82: $V_R = -300V$	-	100	nA
3	Forward Voltage	V_F	4011	$I_F = 100mA$	-	1.0	V
4	Thermal Resistance	$R_{TH(J-C)}$	3101	$I_F = 1.0A$ Note 1 Variants 01 to 12 Variant 13 Variants 14 to 25 Variants 26 to 41 Variants 42 to 53 Variant 54 Variants 55 to 66 Variants 67 to 82	-	25 185 20 15 25 185 20 15	$^{\circ}C/W$

NOTES

- Pulsed measurement, pulse width = 4.0 μs , p.r.f. = 1.0kHz.

TABLE 2 - ELECTRICAL MEASUREMENTS AT ROOM TEMPERATURE - A.C. PARAMETERS

No.	CHARACTERISTICS	SYMBOL	MIL-STD-750 TEST METHOD	TEST FIG.	TEST CONDITIONS	LIMITS		UNIT
						MIN.	MAX.	
5	Total Capacitance	C_T	4001	-	$V_R = -50V$ $f = 1.0MHz$	Note 1		μF
6	Minority Carrier Lifetime	τ_L	-	4(a)	$I_F = 4.5mA$ Variants 01 to 13 Variants 14 to 25 Variants 26 to 41 Variants 42 to 54 Variants 55 to 66 Variants 67 to 82	-	3.0 4.5 6.0 4.5 6.0 9.0	μs
7	Forward Slope Resistance	R_{FS}	-	4(b)	$I_F = 40mA$ $f_o = 500MHz$ Variants 01 to 13 Variants 14 to 25 Variants 26 to 37 Variants 38 to 41 Variants 42 to 54 Variants 55 to 66 Variants 67 to 78 Variants 79 to 82	-	1.3 1.0 0.8 0.7 1.3 1.0 0.8 0.7	Ω

NOTES

- See Column 4 of Table 1(a).

**TABLE 3 - ELECTRICAL MEASUREMENTS AT HIGH AND LOW TEMPERATURES**

No.	CHARACTERISTICS	SYMBOL	SPEC.AND/OR TEST METHOD	TEST CONDITIONS	LIMITS		UNIT
					MIN.	MAX.	
2	Reverse Current 2	I_{R2}	As per Table 2	As per Table 2	-	10	μ A

TABLE 4 - PARAMETER DRIFT VALUES

No.	CHARACTERISTICS	SYMBOL	SPEC.AND/OR TEST METHOD	TEST CONDITIONS	CHANGE LIMITS (Δ)	UNIT
2	Reverse Current 2	I_{R2}	As per Table 2	As per Table 2 Variants 01 to 41 Variants 42 to 82	± 10 (1) or (2) ± 100 (1) ± 10 (1) or (2) ± 100 (1)	nA % μ A %
3	Forward Voltage	V_F	As per Table 2	As per Table 2	± 100 (1)	mV

NOTES

1. $\Delta 1 = \Delta 2 = \Delta 3$.
2. Whichever is the greater, referred to the initial measurement.



FIGURE 4 - CIRCUITS FOR ELECTRICAL MEASUREMENTS

FIGURE 4(a) - MINORITY CARRIER LIFETIME

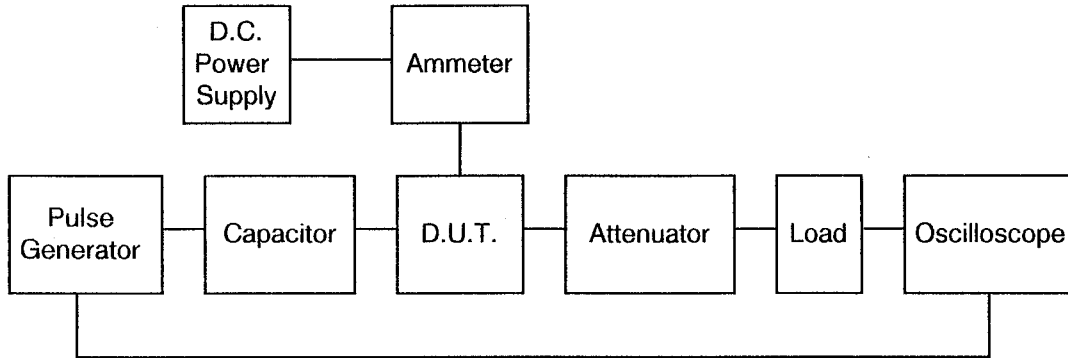


FIGURE 4(b) - FORWARD SLOPE RESISTANCE

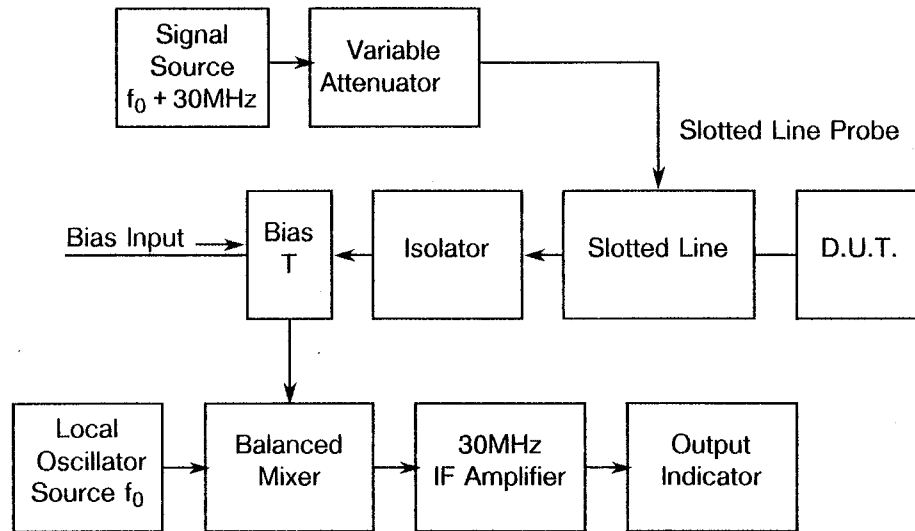


TABLE 5(a) - CONDITIONS FOR HIGH TEMPERATURE REVERSE BIAS BURN-IN

No.	CHARACTERISTICS	SYMBOL	CONDITIONS	UNIT
1	Ambient Temperature	T_{amb}	+ 150(+ 0 - 3)	°C
2	Reverse Voltage	V_R	Variants 01 to 41: - 250 Variants 42 to 82: - 300	V

TABLE 5(b) - CONDITIONS FOR POWER BURN-IN

No.	CHARACTERISTICS	SYMBOL	CONDITIONS	UNIT
1	Ambient Temperature	T_{amb}	+ 125(+ 0 - 3)	°C
2	Forward Current	I_F	125	mA

TABLE 5(c) - CONDITIONS FOR OPERATING LIFE TESTS

No.	CHARACTERISTICS	SYMBOL	CONDITIONS	UNIT
1	Ambient Temperature 1	T_{amb1}	+ 115(+ 0 - 3)	°C
2	Forward Current 1	I_{F1}	125	mA
3	Ambient Temperature 2	T_{amb2}	+ 125(+ 0 - 3)	°C
4	Forward Current 2	I_{F2}	125	mA

FIGURE 5(a) - ELECTRICAL CIRCUIT FOR HIGH TEMPERATURE REVERSE BIAS BURN-IN

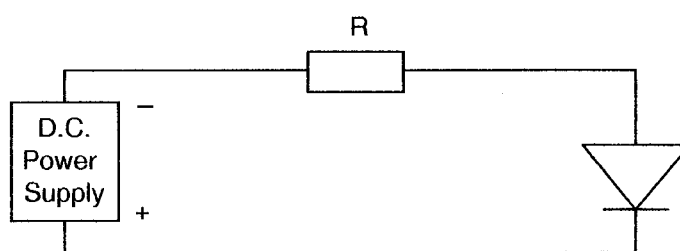
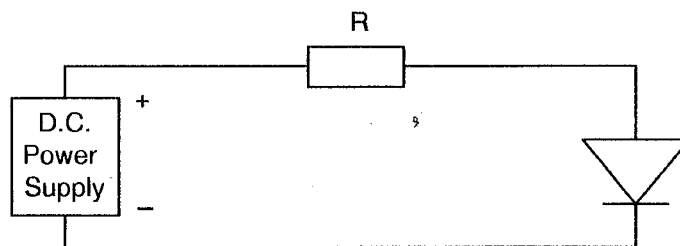



FIGURE 5(b) - ELECTRICAL CIRCUIT FOR POWER BURN-IN AND OPERATING LIFE TESTS



	<p style="text-align: center;">ESA/SCC Detail Specification No. 5513/013</p>	<p style="text-align: right;">PAGE 28 ISSUE 1</p>
---	--	---

4.8 ENVIRONMENTAL AND ENDURANCE TESTS (CHARTS IV AND V OF ESA/SCC GENERIC SPECIFICATION NO. 5010)

4.8.1 Electrical Measurements on Completion of Environmental Tests

The parameters to be measured on completion of environmental tests are scheduled in Table 2. Unless otherwise stated, the measurements shall be performed at $T_{amb} = +22 \pm 3$ °C.

4.8.2 Electrical Measurements at Intermediate Points and on Completion of Endurance Tests

The parameters to be measured at intermediate points and on completion of endurance tests are scheduled in Table 6. Unless otherwise stated, the measurements shall be performed at $T_{amb} = +22 \pm 3$ °C.

4.8.3 Conditions for Operating Life Tests (Part of Endurance Testing)

The requirements for operating life testing are specified in Section 9 of ESA/SCC Generic Specification No. 5010. The conditions for operating life testing are specified in Table 5(c) of this specification.

4.8.4 Electrical Circuits for Operating Life Tests

The circuit to be used for performance of the operating life test shall be the same as shown in Figure 5(b) for Power Burn-in.

4.9 TOTAL DOSE IRRADIATION TESTING

4.9.1 Application

If specified in Para. 4.2.1 of this specification, total dose irradiation testing shall be performed in accordance with the requirements of ESA/SCC Basic Specification No. 22900.

4.9.2 Bias Conditions

Continuous bias shall be applied during irradiation testing as shown in Figure 6 of this specification.

4.9.3 Electrical Measurements

The parameters to be measured prior to irradiation exposure are scheduled in Table 2 of this specification. Only devices which meet the requirements of Table 2 shall be included in the test sample.

The parameters to be measured during and on completion of irradiation testing are scheduled in Table 7 of this specification.

4.10 SPECIAL TESTING

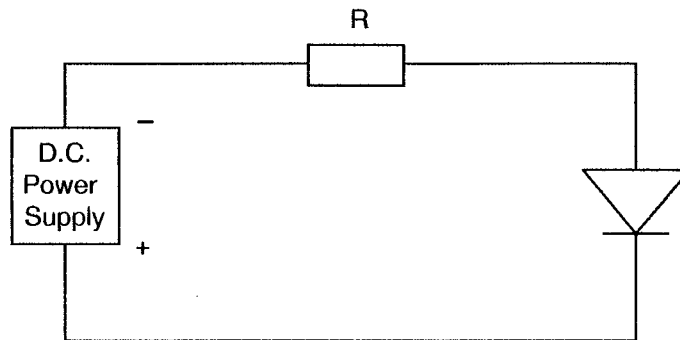
Not applicable.



TABLE 6 - ELECTRICAL MEASUREMENTS AT INTERMEDIATE POINTS AND ON COMPLETION OF ENDURANCE TESTING

No.	CHARACTERISTICS	SYMBOL	SPEC. AND/OR TEST METHOD	TEST CONDITIONS	LIMITS		UNIT
					MIN.	MAX.	
1	Reverse Current 1	I_{R1}	As per Table 2	As per Table 2	As per Table 2		μA
2	Reverse Current 2	I_{R2}	As per Table 2	As per Table 2	As per Table 2		nA
3	Forward Voltage	V_F	As per Table 2	As per Table 2	As per Table 2		V
5	Total Capacitance	C_T	As per Table 2	As per Table 2	As per Table 2		pF
7	Forward Slope Resistance	R_{FS}	As per Table 2	As per Table 2	As per Table 2		Ω

FIGURE 6 - BIAS CONDITIONS FOR IRRADIATION TESTING



NOTES

1. A reverse bias of $V_R = -250V$ (Variants 01 to 41) or $-300V$ (Variants 42 to 82) shall be applied.



TABLE 7 - ELECTRICAL MEASUREMENTS DURING AND ON COMPLETION OF IRRADIATION TESTING

No.	CHARACTERISTICS	SYMBOL	SPEC. AND/OR TEST METHOD	TEST CONDITIONS	CHANGE LIMITS (Δ)	UNIT
6	Minority Carrier Lifetime	τ_L	As per Table 2	As per Table 2	Note 1	%

NOTES

1. The graph given below shall be used to determine the maximum permitted change.

