





**europaean space agency
agence spatiale européenne**

Pages 1 to 25

**DIODES, MICROWAVE, SILICON,
PIN, ULTRA-FAST SWITCHING,
BASED ON TYPES DH50071 TO DH50077
ESA/SCC Detail Specification No. 5513/037**



**space components
coordination group**

Issue/Rev.	Date	Approved by	
		SCCG Chairman	ESA Director General or his Deputy
Issue 1	July 1997		



SCC

ESA/SCC Detail Specification
No. 5513/037

PAGE 2

ISSUE 1

DOCUMENTATION CHANGE NOTICE

Rev. Letter	Rev. Date	Reference	CHANGE Item	Approved DCR No.

**TABLE OF CONTENTS**

	<u>Page</u>
1. <u>GENERAL</u>	5
1.1 Scope	5
1.2 Component Type Variants	5
1.3 Maximum Ratings	5
1.4 Parameter Derating Information	5
1.4 Physical Dimensions	5
1.6 Functional Diagram	5
1.7 Handling Precautions	5
2. <u>APPLICABLE DOCUMENTS</u>	5
3. <u>TERMS, DEFINITIONS, ABBREVIATIONS, SYMBOLS AND UNITS</u>	5
4. <u>REQUIREMENTS</u>	14
4.1 General	14
4.2 Deviations from Generic Specification	14
4.2.1 Deviations from Special In-process Controls	14
4.2.2 Deviations from Final Production Tests	14
4.2.3 Deviations from Burn-in and Electrical Measurements	14
4.2.4 Deviations from Qualification Tests	14
4.2.5 Deviations from Lot Acceptance Tests	15
4.3 Mechanical and Environmental Requirements	15
4.3.1 Dimension Check	15
4.3.2 Weight	15
4.3.3 Terminal Strength	15
4.4 Materials and Finishes	15
4.4.1 Case	15
4.4.2 Lead Materials and Finish	16
4.5 Marking	16
4.5.1 General	16
4.5.2 Cathode Identification	16
4.5.3 The SCC Component Number	16
4.5.4 Traceability Information	16
4.6 Electrical Measurements	16
4.6.1 Electrical Measurements at Room Temperature	16
4.6.2 Electrical Measurements at High and Low Temperatures	17
4.6.3 Circuits for Electrical Measurements	17
4.7 Burn-in Tests	17
4.7.1 Parameter Drift Values	17
4.7.2 Conditions for High Temperature Reverse Bias Burn-in	17
4.7.3 Conditions for Power Burn-in	17
4.7.4 Electrical Circuits for High Temperature Reverse Bias and Power Burn-in	17
4.8 Environmental and Endurance Tests	23
4.8.1 Electrical Measurements on Completion of Environmental Tests	23
4.8.2 Electrical Measurements at Intermediate Points and on Completion of Endurance Tests	23
4.8.3 Conditions for Operating Life Tests	23
4.8.4 Electrical Circuits for Operating Life Tests	23
4.9 Total Dose Irradiation Testing	23
4.10 Special Testing	23

**TABLES**

1(a)	Type Variants	6
1(b)	Maximum Ratings	8
2	Electrical Measurements at Room Temperature - D.C. Parameters	18
	Electrical Measurements at Room Temperature - A.C. Parameters	18
3	Electrical Measurements at High and Low Temperatures	19
4	Parameter Drift Values	19
5(a)	Conditions for High Temperature Reverse Bias Burn-in	21
5(b)	Conditions for Power Burn-in	21
5(c)	Conditions for Operating Life Tests	21
6	Electrical Measurements at Intermediate Points and on Completion of Endurance Testing	24
7	Electrical Measurements During and on Completion of Irradiation Testing	24

FIGURES

1	Parameter Derating Information	9
2	Physical Dimensions	10
3	Functional Diagram	13
4	Circuits for Electrical Measurements	20
5(a)	Electrical Circuit for High Temperature Reverse Bias Burn-in	22
5(b)	Electrical Circuit for Power Burn-in and Operating Life Tests	22
6	Bias Conditions for Irradiation Testing	24

APPENDICES (Applicable to specific Manufacturers only)

'A'	Agreed Deviations for Tekelec/Temex (F)	25
-----	---	----

**1. GENERAL****1.1 SCOPE**

This specification details the ratings, physical and electrical characteristics, test and inspection data for a Diode, Microwave, Silicon, PIN, Ultra-Fast Switching, based on Types DH50071 to DH50077. It shall be read in conjunction with ESA/SCC Generic Specification No. 5010, the requirements of which are supplemented herein.

1.2 COMPONENT TYPE VARIANTS

Variants of the basic diodes specified herein, which are also covered by this specification are given in Table 1(a).

1.3 MAXIMUM RATINGS

The maximum ratings, which shall not be exceeded at any time during use or storage, applicable to the diodes specified herein, are as scheduled in Table 1(b).

1.4 PARAMETER DERATING INFORMATION

The derating information applicable to the diodes specified herein is shown in Figure 1.

1.4 PHYSICAL DIMENSIONS

The physical dimensions of the diodes specified herein are shown in Figure 2.

1.6 FUNCTIONAL DIAGRAM

The functional diagram, showing lead identification, of the diodes specified herein, is shown in Figure 3.

1.7 HANDLING PRECAUTIONS

These devices are susceptible to damage by electrostatic discharge. Therefore, suitable precautions shall be employed for protection during all phases of manufacture, testing, packaging, shipment and any handling.

These components are Categorised as Class 1 with a Minimum Critical Path Failure Voltage of 500V.

2. APPLICABLE DOCUMENTS

The following documents form part of this specification and shall be read in conjunction with it:

- (a) ESA/SCC Generic Specification No. 5010 for Discrete Microwave Semiconductor Components.

3. TERMS, DEFINITIONS, ABBREVIATIONS, SYMBOLS AND UNITS

For the purpose of this specification, the terms, definitions, abbreviations, symbols and units specified in ESA/SCC Basic Specification No. 21300 shall apply. In addition, the following symbols are used:

- C_T = Total Capacitance.

**TABLE 1(a) - TYPE VARIANTS**

(1) VARIANT	(2) BASED ON TYPE	(3) FIGURE	(4) TOTAL CAPACITANCE C_T (pF) (MAX.)	(5) FORWARD SERIES RESISTANCE R_{SF} (Ω) (MAX.)	(6) MINORITY CARRIER LIFETIME τ_L (ns) (MAX.)	(7) BODY-LID AND LEAD MATERIAL AND FINISH
01	DH50071	2(a)	0.19	2.0	100	D7-E2
02	DH50071	2(b)	0.19	2.0	100	D7
03	DH50071	2(c)	0.19	2.0	100	D7-E2
04	DH50071	2(d)	0.19	2.0	100	D7-E2
05	DH50071	2(e)	0.19	2.0	100	D7-E2
06	DH50071	2(f)	0.19	2.0	100	D7-E2
07	DH50071	2(g)	0.26	2.0	100	A7-D7
08	DH50072	2(a)	0.21	1.7	100	D7-E2
09	DH50072	2(b)	0.21	1.7	100	D7
10	DH50072	2(c)	0.21	1.7	100	D7-E2
11	DH50072	2(d)	0.21	1.7	100	D7-E2
12	DH50072	2(e)	0.21	1.7	100	D7-E2
13	DH50072	2(f)	0.21	1.7	100	D7-E2
14	DH50072	2(g)	0.28	1.7	100	A7-D7
15	DH50073	2(a)	0.25	1.6	120	D7-E2
16	DH50073	2(b)	0.25	1.6	120	D7
17	DH50073	2(c)	0.25	1.6	120	D7-E2
18	DH50073	2(d)	0.25	1.6	120	D7-E2
19	DH50073	2(e)	0.25	1.6	120	D7-E2
20	DH50073	2(f)	0.25	1.6	120	D7-E2
21	DH50073	2(g)	0.32	1.6	120	A7-D7
22	DH50074	2(a)	0.30	1.4	120	D7-E2
23	DH50074	2(b)	0.30	1.4	120	D7
24	DH50074	2(c)	0.30	1.4	120	D7-E2
25	DH50074	2(d)	0.30	1.4	120	D7-E2
26	DH50074	2(e)	0.30	1.4	120	D7-E2
27	DH50074	2(f)	0.30	1.4	120	D7-E2
28	DH50074	2(g)	0.37	1.4	120	A7-D7
29	DH50075	2(a)	0.36	1.0	200	D7-E2
30	DH50075	2(b)	0.36	1.0	200	D7
31	DH50075	2(c)	0.36	1.0	200	D7-E2
32	DH50075	2(d)	0.36	1.0	200	D7-E2
33	DH50075	2(e)	0.36	1.0	200	D7-E2
34	DH50075	2(f)	0.36	1.0	200	D7-E2
35	DH50075	2(g)	0.43	1.0	200	A7-D7



TABLE 1(a) - TYPE VARIANTS (CONTINUED)

(1) VARIANT	(2) BASED ON TYPE	(3) FIGURE	(4) TOTAL CAPACITANCE C_T (pF) (MAX.)	(5) FORWARD SERIES RESISTANCE R_{SF} (Ω) (MAX.)	(6) MINORITY CARRIER LIFETIME τ_L (ns) (MAX.)	(7) BODY-LID AND LEAD MATERIAL AND FINISH
36	DH50076	2(a)	0.53	0.9	200	D7-E2
37	DH50076	2(b)	0.53	0.9	200	D7
38	DH50076	2(c)	0.53	0.9	200	D7-E2
39	DH50076	2(d)	0.53	0.9	200	D7-E2
40	DH50076	2(e)	0.53	0.9	200	D7-E2
41	DH50076	2(f)	0.53	0.9	200	D7-E2
42	DH50076	2(g)	0.60	0.9	200	A7-D7
43	DH50077	2(a)	0.73	0.7	300	D7-E2
44	DH50077	2(b)	0.73	0.7	300	D7
45	DH50077	2(c)	0.73	0.7	300	D7-E2
46	DH50077	2(d)	0.73	0.7	300	D7-E2
47	DH50077	2(e)	0.73	0.7	300	D7-E2
48	DH50077	2(f)	0.73	0.7	300	D7-E2
49	DH50077	2(g)	0.80	0.7	300	A7-D7



TABLE 1(b) - MAXIMUM RATINGS

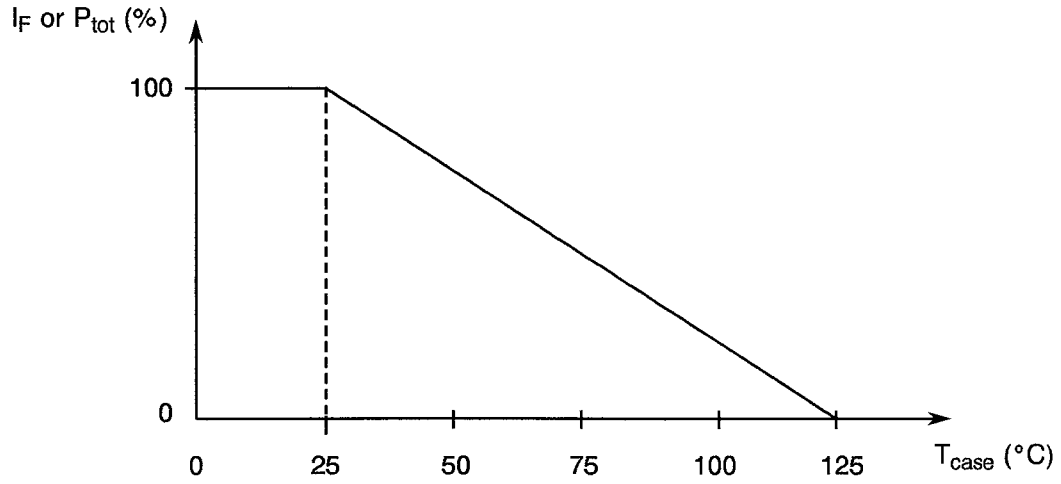
No.	CHARACTERISTIC	SYMBOL	MAXIMUM RATINGS	UNIT	REMARKS
1	D.C. Reverse Voltage	V_R	- 70	V	$I_R = 10\mu A$
2	D.C. Forward Current (Continuous)	I_F	100	mA	Note 1
3	R.F. Power Dissipation Variants 01 to 06, 08 to 13 Variants 07, 14 Variants 15 to 20 Variant 21 Variants 22 to 27 Variant 28 Variants 29 to 34 Variant 35 Variants 36 to 41, 43 to 48 Variants 42, 49	P_{tot}	0.91 1.43 1.00 1.67 1.11 2.00 1.18 2.22 1.25 2.50	W	Note 1
4	Operating Temperature Range	T_{op}	- 55 to + 125	°C	T_{case}
5	Storage Temperature Range	T_{stg}	- 65 to + 150	°C	
6	Soldering Temperature	T_{sol}	+ 220	°C	Note 2
7	Thermal Resistance (Junction to Case) Variants 01 to 06, 08 to 13 Variants 07, 14 Variants 15 to 20 Variant 21 Variants 22 to 27 Variant 28 Variants 29 to 34 Variant 35 Variants 36 to 41, 43 to 48 Variants 42, 49	$R_{TH(J-C)}$	110 70 100 60 90 50 85 45 80 40	°C/W	

NOTES

1. At $T_{case} = +25^\circ C$. For derating at $T_{case} > +25^\circ C$, see Figure 1.
2. Duration 5 seconds maximum and the same termination shall not be resoldered until 3 minutes have elapsed.



FIGURE 1 - PARAMETER DERATING INFORMATION

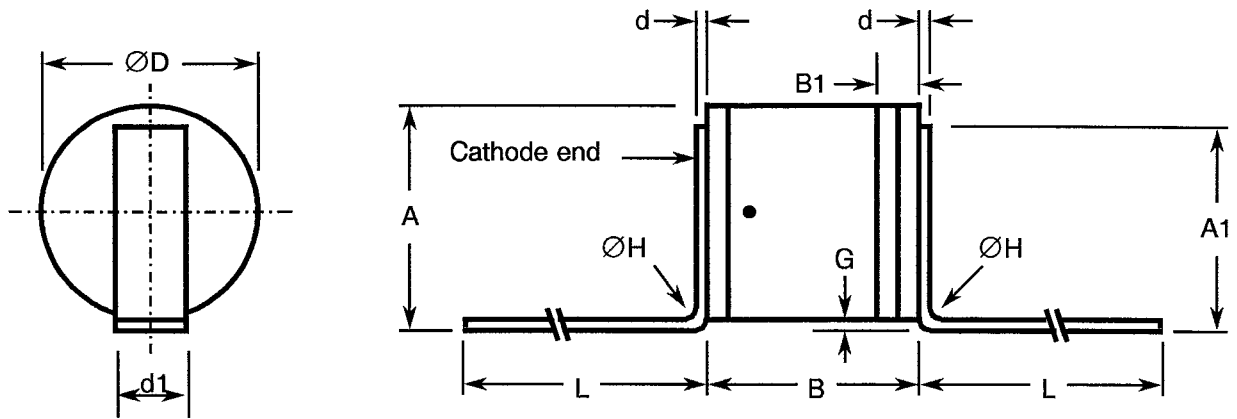


Forward Current or Power Dissipation versus Temperature



FIGURE 2 - PHYSICAL DIMENSIONS

FIGURE 2(a) - VARIANTS 01, 08, 15, 22, 29, 36, 43



SYMBOL	MILLIMETRES	
	MIN.	MAX.
A	1.30	1.90
A1	1.22	1.82
B	0.95	1.35
B1	0.23	0.33
d	0.06	0.10
d1	0.55	0.65
ØD	1.07	1.47
G	0.10	0.50
ØH	-	0.30
L	2.50	-

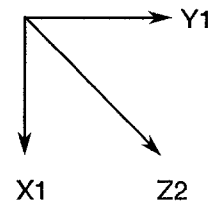
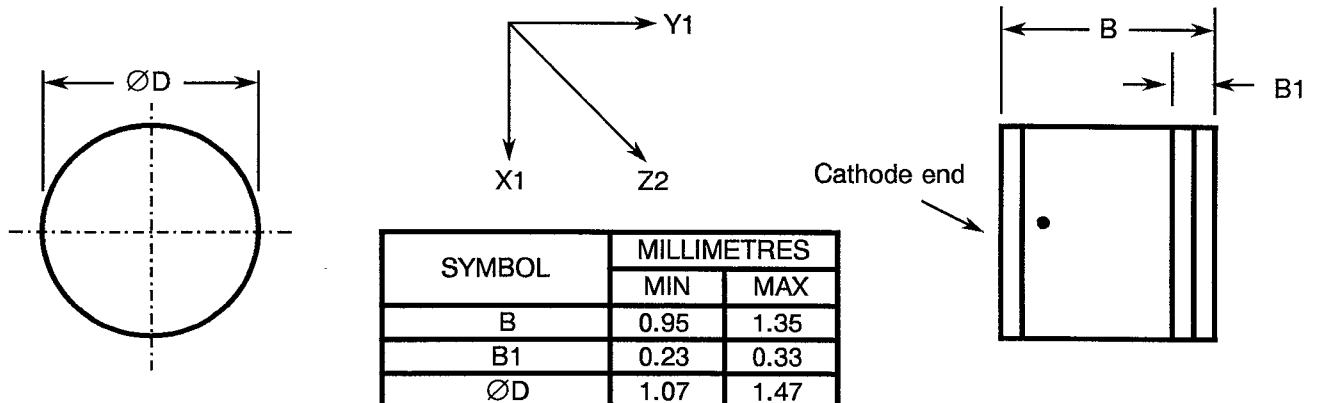


FIGURE 2(b) - VARIANTS 02, 09, 16, 23, 30, 37, 44



SYMBOL	MILLIMETRES	
	MIN	MAX
B	0.95	1.35
B1	0.23	0.33
ØD	1.07	1.47



FIGURE 2 - PHYSICAL DIMENSIONS (CONTINUED)

FIGURE 2(c) - VARIANTS 03, 10, 17, 24, 31, 38, 45

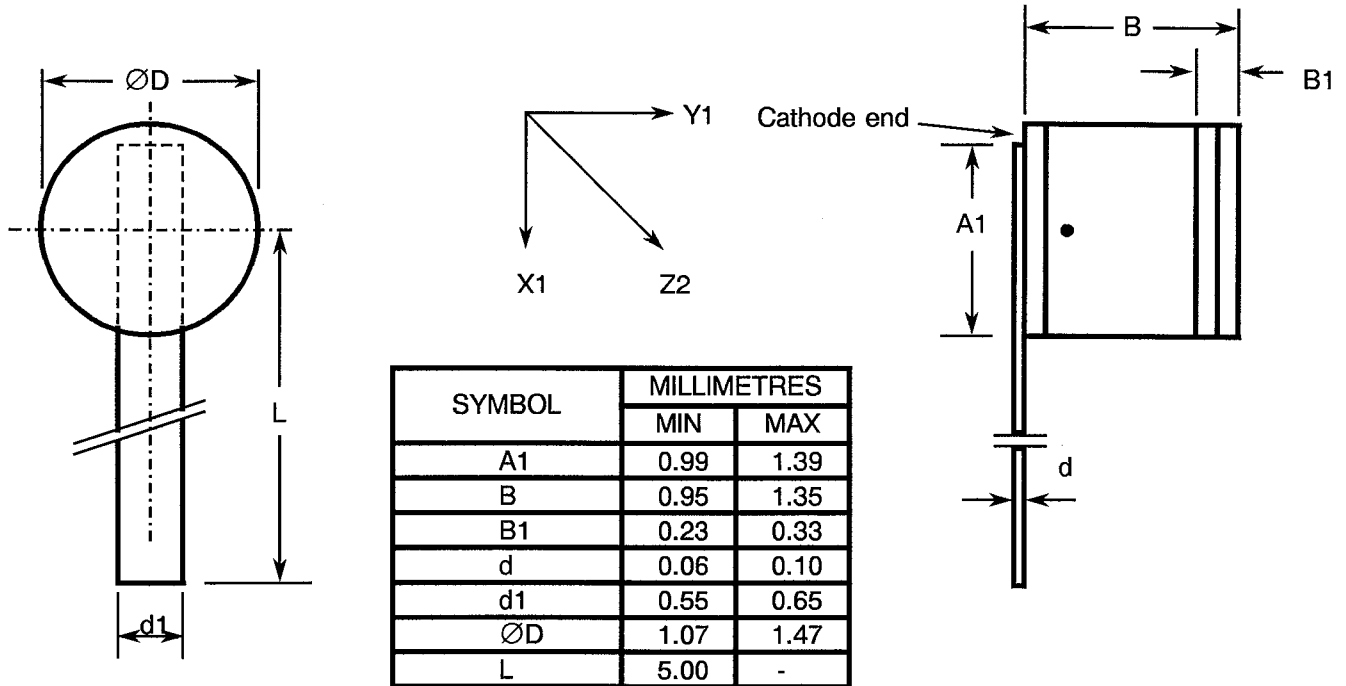


FIGURE 2(d) - VARIANTS 04, 11, 18, 25, 32, 39, 46

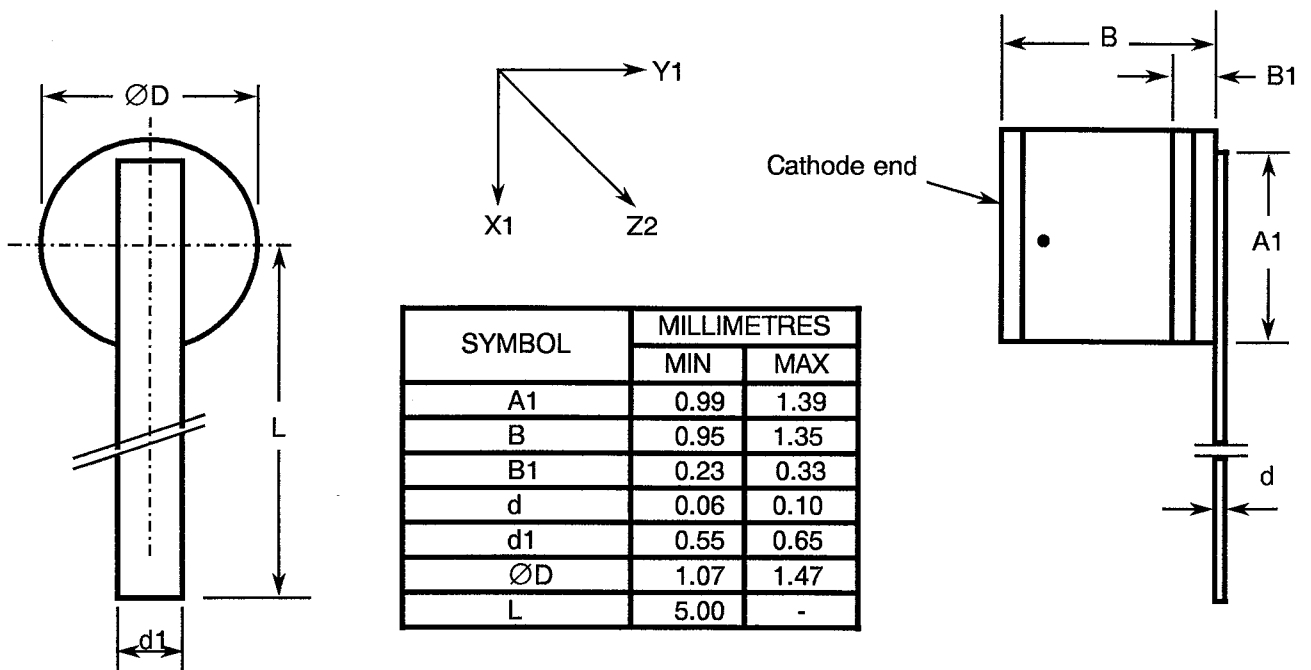




FIGURE 2 - PHYSICAL DIMENSIONS (CONTINUED)

FIGURE 2(e) - VARIANTS 05, 12, 19, 26, 33, 40, 47

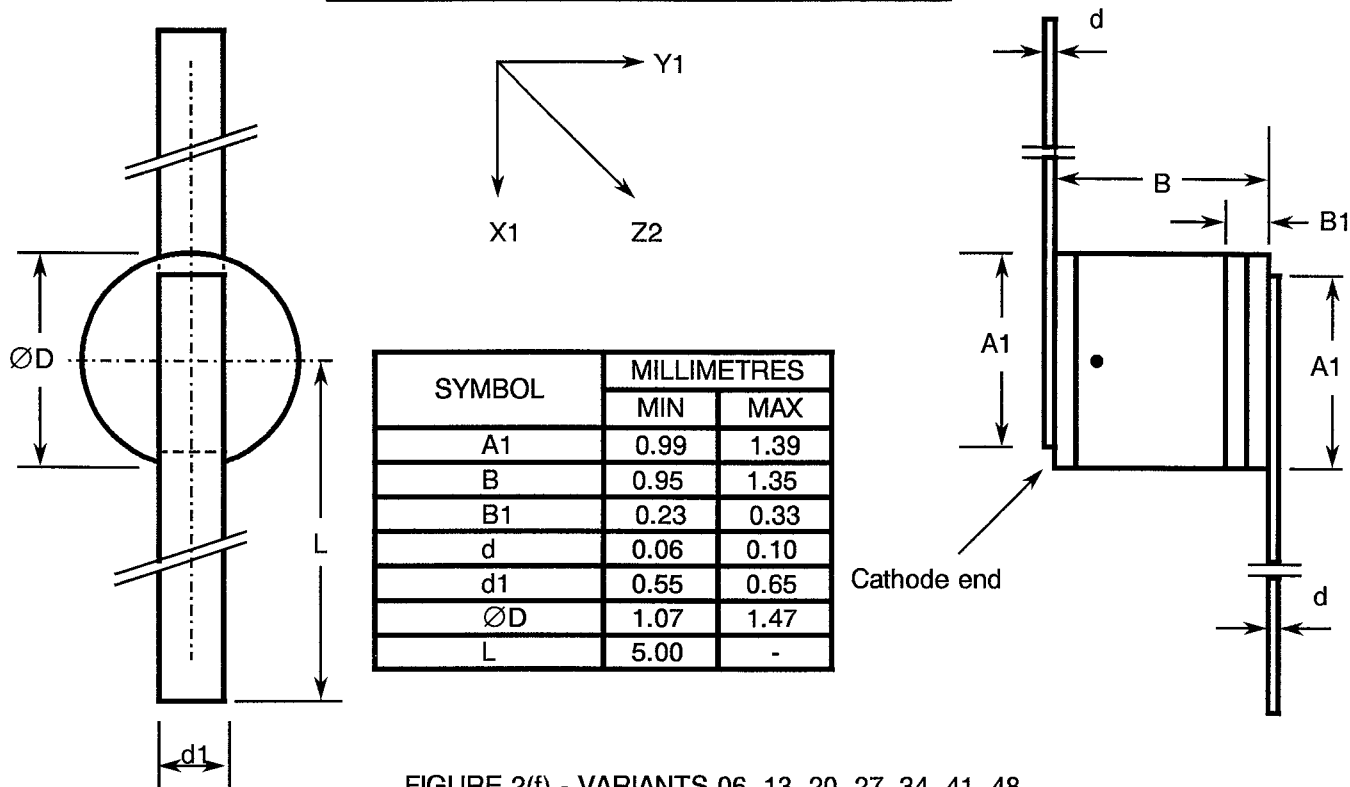


FIGURE 2(f) - VARIANTS 06, 13, 20, 27, 34, 41, 48

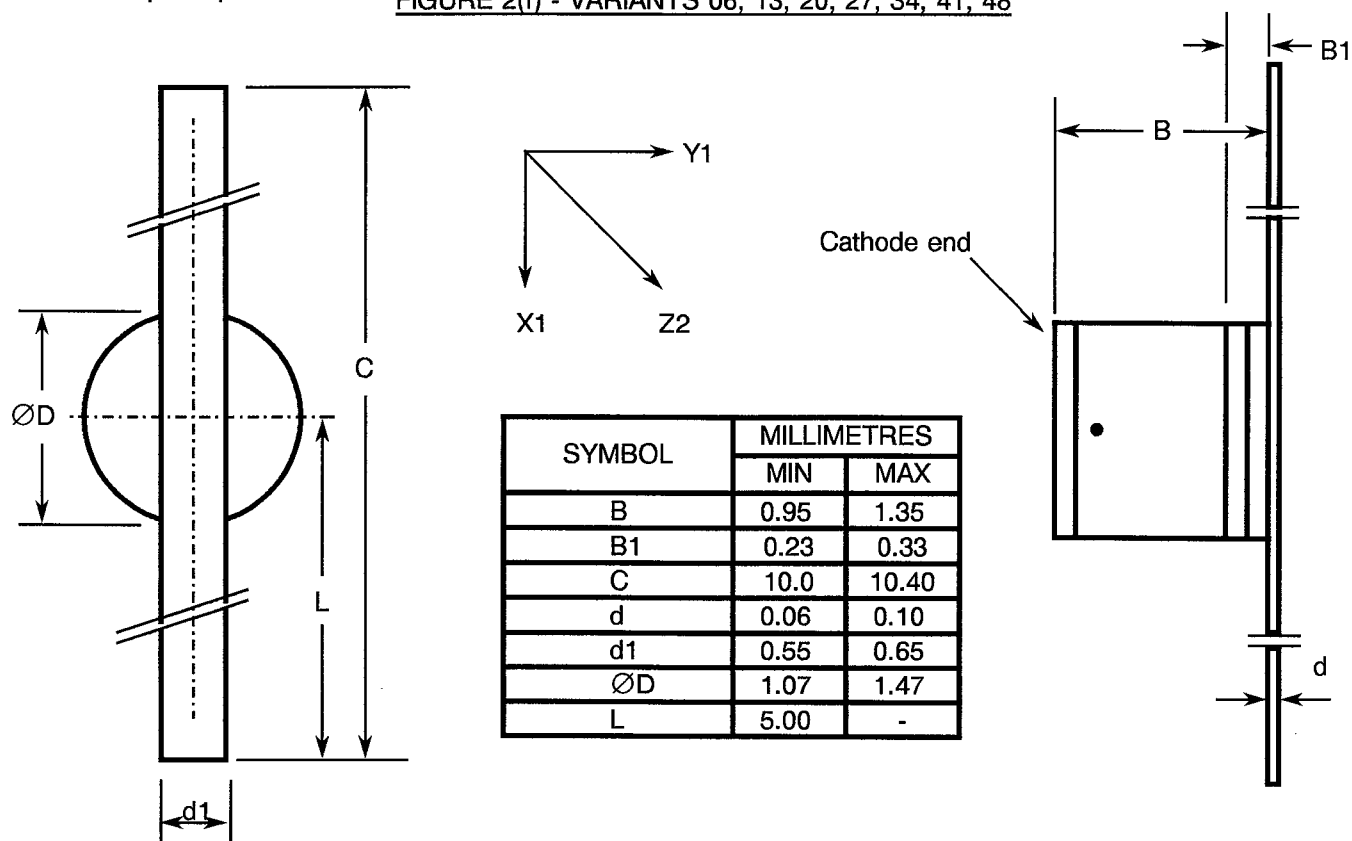




FIGURE 2 - PHYSICAL DIMENSIONS (CONTINUED)

FIGURE 2(g) - VARIANTS 07, 14, 21, 28, 35, 42, 49

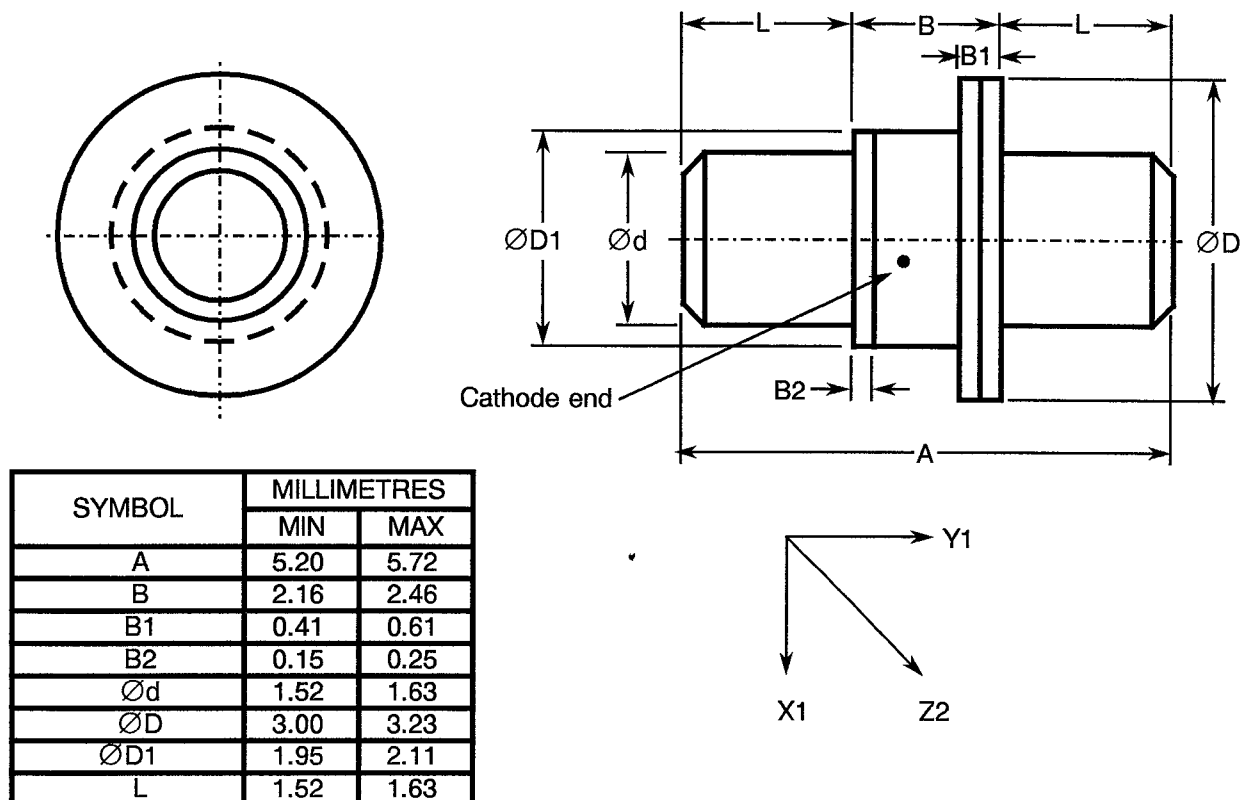


FIGURE 3 - FUNCTIONAL DIAGRAM



NOTES

1. The cathode end shall be marked with a black dot. The marking will not be on the cathode connection but adjacent to it.



4. REQUIREMENTS

4.1 GENERAL

The complete requirements for procurement of the diodes specified herein shall be as stated in this specification and ESA/SCC Generic Specification No. 5010 for Discrete Microwave Semiconductor Components. Deviations from the Generic Specification applicable to this specification only, are listed in Para. 4.2.

Deviations from the applicable Generic Specification and this Detail Specification, formally agreed with specific Manufacturers on the basis that the alternative requirements are equivalent to the ESA/SCC requirements and do not affect the components' reliability, are listed in the appendices attached to this specification.

4.2 DEVIATIONS FROM GENERIC SPECIFICATION

4.2.1 Deviations from Special In-process Controls

- (a) Para. 5.3, Wafer Lot Acceptance: S.E.M. Inspection shall be performed on 3 dice, after Wafer Dicing.
- (b) Para. 5.3, Wafer Lot Acceptance: Minority Carrier Lifetime measurements shall be performed on 10 devices assembled into one of the cases defined in Figure 2 of this specification, or similar.

4.2.2 Deviations from Final Production Tests (Chart II)

- (a) Para. 6.2, Pre-burn-in: Shall be performed in accordance with Para. 9.21(a) using the conditions specified in Table 5(a) of this specification for a duration of 48 hours minimum.
- (b) Para. 9.2.2, Die Shear: Individual forces need not be recorded and the minimum residual die area shall be $\geq 50\%$ of the original die size.
- (c) Para 9.6, Constant Acceleration: Shall not be performed.
- (d) Para. 9.14, Vibration, Variable Frequency: Shall not be performed.

4.2.3 Deviations from Burn-in and Electrical Measurements (Chart III)

- (a) Para. 7.1.1(a), High Temperature Reverse Bias Burn-in: Shall be performed at 75% of rated V_R .
- (b) Para. 9.9.1, Initial Parameter Drift Value measurements : Parameters measured in Chart II during Para. 9.9.3, Electrical Measurements at Room Temperature, need not be repeated for Initial Measurements.

4.2.4 Deviations from Qualification Tests (Chart IV)

- (a) Para. 9.2.4, Die-Shear: Individual forces need not be recorded and the minimum residual die area shall be $\geq 50\%$ of the original die size.
- (b) Para. 9.14, Vibration Test: Shall not be performed.
- (c) Para. 9.15, Constant Acceleration : Shall not be performed.
- (d) Para. 9.23, Special Testing: Shall not be performed.



4.2.5 Deviations from Lot Acceptance Tests (Chart V)

- (a) Para. 9.14, Vibration: Shall not be performed.
- (b) Para. 9.15, Constant Acceleration : Shall not be performed.
- (c) Para. 9.23, Special Testing: Shall not be performed.

4.3 MECHANICAL AND ENVIRONMENTAL REQUIREMENTS

4.3.1 Dimension Check

The dimensions of the diodes specified herein shall be checked. They shall conform to those shown in Figure 2.

4.3.2 Weight

The maximum weight of the diodes specified herein shall be 0.15 grammes for Variants 07, 14, 21, 28, 35, 42 and 49 and 0.02 grammes for the remainder.

4.3.3 Terminal Strength

The requirements for terminal strength testing are specified in Section 9 of ESA/SCC Generic Specification No. 5010. The test conditions shall be as follows:-

(a) **Condition: 'A' (Tension)**

Variants 01, 03, 04, 05, 06, 08, 10, 11, 12, 15, 17, 18, 19, 20, 22, 24, 25, 26, 27, 29, 31, 32, 33, 34, 36, 38, 39, 40, 41, 43, 45, 46, 47 and 48:

- Force: 1.25N.
- Duration: 10 seconds.

4.4 MATERIALS AND FINISHES

The materials and finishes shall be as specified herein. Where a definite material is not specified, a material which will enable the diodes specified herein to meet the performance requirements of this specification shall be used. Acceptance or approval of any constituent material shall not guarantee acceptance of the finished product.

4.4.1 Case

The case shall be hermetically sealed and have a ceramic body. The lid shall be welded or preform soldered.



4.4.2 Lead Materials and Finish

- (a) For Variants 01, 03, 04, 05, 06, 08, 10, 11, 12, 13, 15, 17, 18, 19, 20, 22, 24, 25, 26, 27, 29, 31, 32, 33, 34, 36, 38, 39, 40, 41, 43, 45, 46, 47, and 48, the body/lid material shall be Type 'D' with Type '7' finish and the lead material shall be Type 'E' with Type '2' finish, in accordance with the requirements of ESA/SCC Basic Specification No. 23500.
- (b) For Variants 02, 09, 16, 23, 30, 37 and 44, the body and lid material shall be Type 'D' with Type '7' finish, in accordance with the requirements of ESA/SCC Basic Specification No. 23500.
- (c) For Variants 07, 14, 21, 28, 35, 42 and 49, the body material shall be Type 'A' with Type '7' finish, and the lid material shall be Type 'D' with Type '7' finish, in accordance with the requirements of ESA/SCC Basic Specification No. 23500.

4.5 MARKING

4.5.1 General

The marking of all components delivered to this specification shall be in accordance with the requirements of ESA/SCC Basic Specification No. 21700 and the following paragraphs. When the component is too small to accommodate all of the marking specified, as much as space permits shall be marked and the marking information, in full, shall accompany the component in its primary package.

The information to be marked and the order of precedence, shall be as follows:-

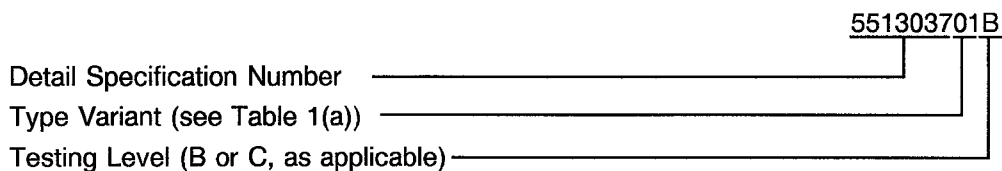
- (a) Cathode Identification.
- (b) The SCC Component Number.
- (c) Traceability Information.

4.5.2 Cathode Identification

Cathode identification shall be as shown in Figures 2 and 3 of this specification.

4.5.3 The SCC Component Number

Each component shall bear the SCC Component Number which shall be constituted and marked as follows:



4.5.4 Traceability Information

Each component shall be marked in respect of traceability information as defined in ESA/SCC Basic Specification No. 21700.

4.6 ELECTRICAL MEASUREMENTS

4.6.1 Electrical Measurements at Room Temperature

The parameters to be measured at room temperature are scheduled in Table 2. Unless otherwise specified, the measurements shall be performed at $T_{amb} = +22 \pm 3 \text{ }^\circ\text{C}$.



4.6.2 Electrical Measurements at High and Low Temperatures

The parameters to be measured at high and low temperatures are scheduled in Table 3. Unless otherwise specified, the measurements shall be performed at $+125(+0-3)$ °C.

4.6.3 Circuits for Electrical Measurements

Circuits for use in performing electrical measurements listed in Table 2 of this specification are shown in Figure 4.

4.7 BURN-IN TESTS

Burn-in shall be Category 3 of Chart III(a).

4.7.1 Parameter Drift Values

The parameter drift values applicable to burn-in are specified in Table 4 of this specification. Unless otherwise stated, the measurements shall be performed at $T_{amb} = +22 \pm 3$ °C. The parameter drift values (Δ) applicable to the scheduled parameters shall not be exceeded. In addition to these drift value requirements for a given parameter, the appropriate limit value specified in Table 2 shall not be exceeded.

4.7.2 Conditions for High Temperature Reverse Bias Burn-in

The requirements for the high temperature reverse bias burn-in are specified in Section 7 of ESA/SCC Generic Specification No. 5010. The conditions for high temperature reverse bias burn-in shall be as specified in Table 5(a) of this specification.

4.7.3 Conditions for Power Burn-in

The requirements for power burn-in are specified in Section 7 of ESA/SCC Generic Specification No. 5010. The conditions for power burn-in shall be as specified in Table 5(b) of this specification.

4.7.4 Electrical Circuits for High Temperature Reverse Bias and Power Burn-in

Circuits for use in performing the high temperature reverse bias and power burn-in tests are shown in Figures 5(a) and 5(b) of this specification.

**TABLE 2 - ELECTRICAL MEASUREMENTS AT ROOM TEMPERATURE - D.C. PARAMETERS**

No.	CHARACTERISTICS	SYMBOL	MIL-STD-750 TEST METHOD	TEST CONDITIONS	LIMITS		UNIT
					MIN.	MAX.	
1	Reverse Current 1	I_{R1}	4016	$V_R = -70V$	-	10	μA
2	Reverse Current 2	I_{R2}	4016	$V_R = -35V$	-	100	nA
3	Forward Voltage	V_F	4011	$I_F = 100mA$	-	1.1	V
4	Thermal Resistance	$R_{TH(J-C)}$	3101	Variants 01 to 21 Applied Power = 0.25W Variants 22 to 35 Applied Power = 0.5W Variants 36 to 49 Applied Power = 1.0W Note 1	-	Note 2	$^{\circ}C/W$

NOTES

1. Pulsed measurement, pulse width = 10ms.
2. See Item 7 of Table 1(b).

TABLE 2 - ELECTRICAL MEASUREMENTS AT ROOM TEMPERATURE - A.C. PARAMETERS

No.	CHARACTERISTICS	SYMBOL	MIL-STD-750 TEST METHOD	TEST FIG.	TEST CONDITIONS	LIMITS		UNIT
						MIN.	MAX.	
5	Total Capacitance	C_T	4001	-	$V_R = -6.0V$ $f = 1.0MHz$	-	Note 1	pF
6	Forward Series Resistance	R_{SF}	4056	-	$I_F = 10mA$ $f_o = 120MHz$	-	Note 2	Ω
7	Minority Carrier Lifetime	τ_L	-	4(a)	$I_F = 10mA$ $I_R = 6.0mA$ Note 3	-	Note 4	ns

NOTES

1. See Column 4 of Table 1(a). Junction capacitance = Total capacitance - case capacitance.
Typical case capacitance for cases in Figures 2(a) to 2(f) = 0.12pF.
Typical case capacitance for cases in Figure 2(g) = 0.18pF.
2. See column 5 of Table 1(a).
3. Measurements to be performed only during Wafer Lot Acceptance on 10 devices assembled into one of the cases defined in this specification, or similar.
4. See Column 6 of Table 1(a).

**TABLE 3 - ELECTRICAL MEASUREMENTS AT HIGH AND LOW TEMPERATURES**

No.	CHARACTERISTICS	SYMBOL	SPEC AND/OR TEST METHOD	TEST CONDITIONS	LIMITS		UNIT
					MIN.	MAX.	
2	Reverse Current	I_R	As per Table 2	As per Table 2	-	1.0	μA

TABLE 4 - PARAMETER DRIFT VALUES

No.	CHARACTERISTICS	SYMBOL	SPEC.AND/OR TEST METHOD	TEST CONDITIONS	CHANGE LIMITS (Δ)	UNIT
2	Reverse Current 2	I_{R2}	As per Table 2	As per Table 2	± 10 (1) or (2) ± 100 (1)	nA %
3	Forward Voltage	V_F	As per Table 2	As per Table 2	± 5.0 (1)	%
5	Total Capacitance	C_T	As per Table 2	As per Table 2	± 5.0 (1)(3)	%

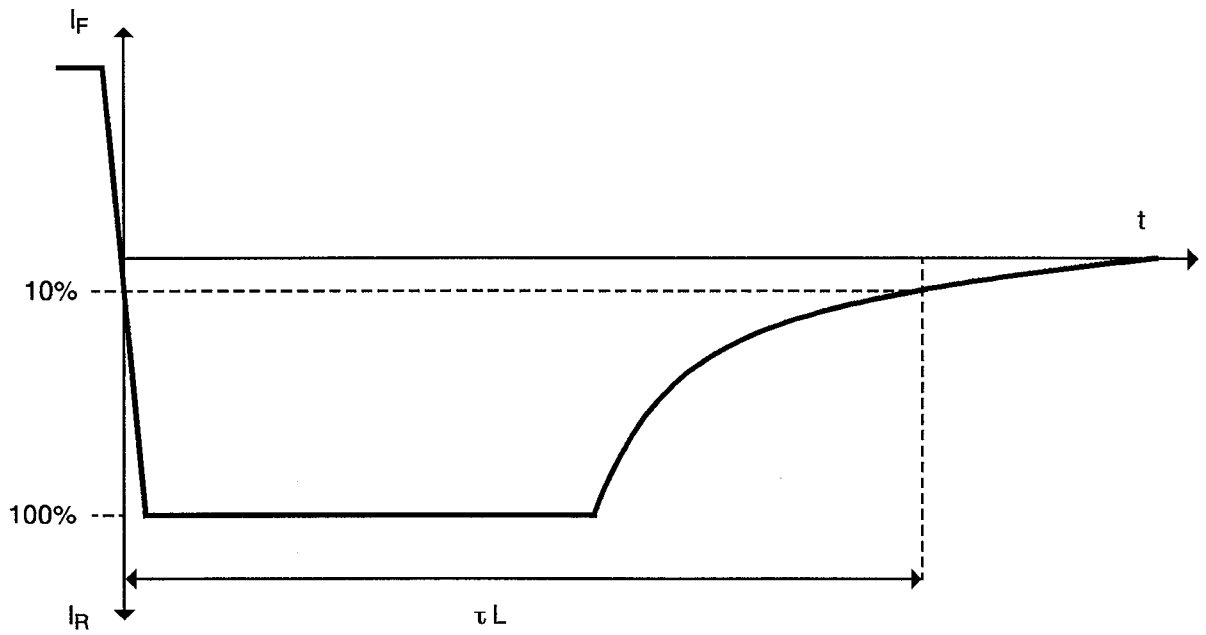
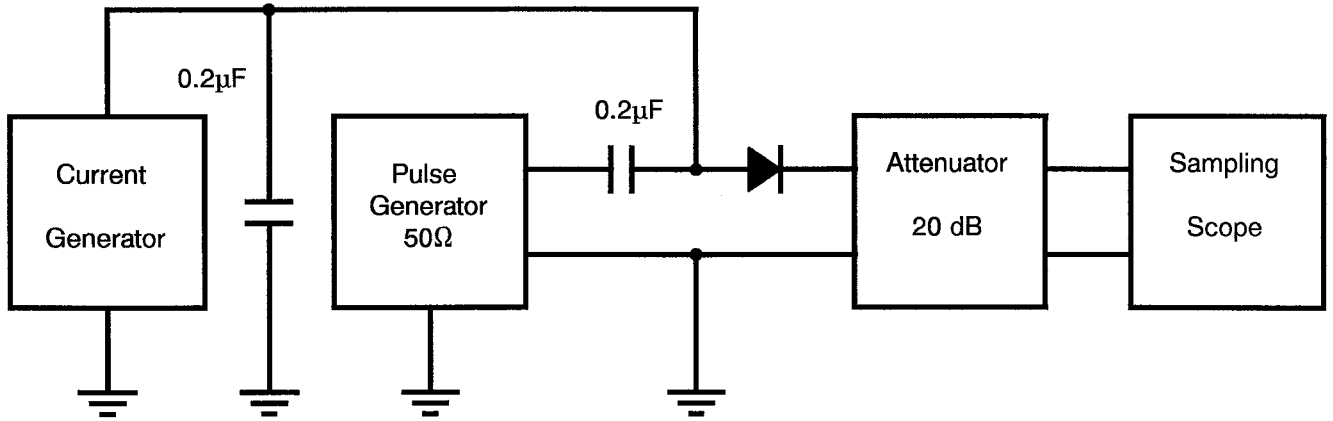
NOTES

1. $\Delta 1 = \Delta 2 = \Delta 3$
2. Whichever is the greater, referred to the initial measurement.
3. Rounded upwards to the nearest 0.01pF. If $C_T < 0.25\text{pF}$ then $\Delta = \pm 10\%$.



FIGURE 4 - CIRCUITS FOR ELECTRICAL MEASUREMENTS

FIGURE 4(a) - MINORITY CARRIER LIFETIME



Output waveform

**TABLE 5(a) - CONDITIONS FOR HIGH TEMPERATURE REVERSE BIAS BURN-IN**

No.	CHARACTERISTICS	SYMBOL	CONDITIONS	UNIT
1	Ambient Temperature	T_{amb}	+ 125(+ 0 - 3)	°C
2	Reverse Voltage	V_R	- 52.5	V

TABLE 5(b) - CONDITIONS FOR POWER BURN-IN

No.	CHARACTERISTICS	SYMBOL	CONDITIONS	UNIT
1	Ambient Temperature	T_{amb}	+ 115(+ 0 - 3)	°C
2	Forward Current	I_F	Note 1	mA

NOTES

1. See Table 1(b) Item 2 and Figure 1.

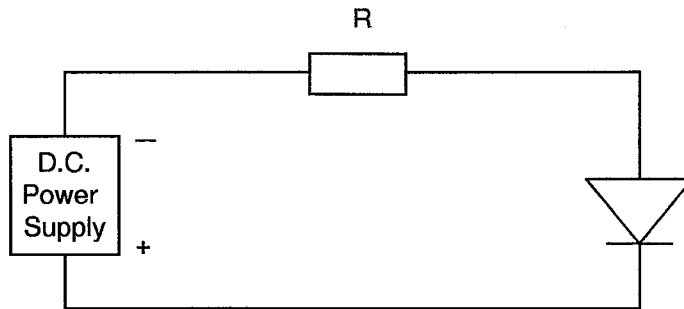
TABLE 5(c) - CONDITIONS FOR OPERATING LIFE TESTS

No.	CHARACTERISTICS	SYMBOL	CONDITIONS	UNIT
1	Ambient Temperature 1	T_{amb1}	+ 115(+ 0 - 3)	°C
2	Forward Current 1	I_{F1}	Note 1	mA
3	Ambient Temperature 2	T_{amb2}	+ 105(+ 0 - 3)	°C
4	Forward Current 2	I_{F2}	Note 1	mA

NOTES

1. See Table 1(b) Item 2 and Figure 1.

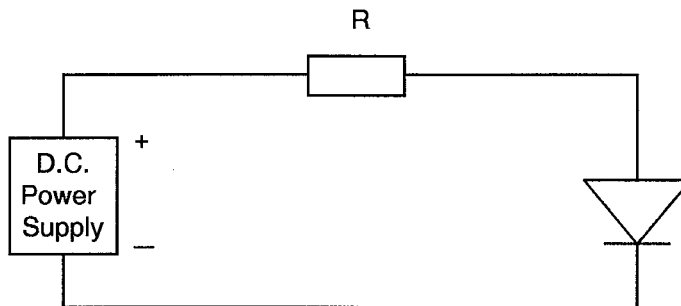
FIGURE 5(a) - ELECTRICAL CIRCUIT FOR HIGH TEMPERATURE REVERSE BIAS BURN-IN



NOTES

1. At the end of the high temperature reverse bias test, T_{amb} shall be decreased to room temperature and the reverse bias shall remain applied until $T_{amb} < +35^{\circ}\text{C}$.

FIGURE 5(b) - ELECTRICAL CIRCUIT FOR POWER BURN-IN AND OPERATING LIFE TESTS





- 4.8 ENVIRONMENTAL AND ENDURANCE TESTS (CHARTS IV AND V OF ESA/SCC GENERIC SPECIFICATION NO. 5010)
- 4.8.1 Electrical Measurements on Completion of Environmental Tests
The parameters to be measured on completion of environmental tests are scheduled in Table 2. Unless otherwise stated, the measurements shall be performed at $T_{amb} = +22 \pm 3$ °C.
- 4.8.2 Electrical Measurements at Intermediate Points and on Completion of Endurance Tests
The parameters to be measured at intermediate points and on completion of endurance tests are scheduled in Table 6. Unless otherwise stated, the measurements shall be performed at $T_{amb} = +22 \pm 3$ °C.
- 4.8.3 Conditions for Operating Life Tests (Part of Endurance Testing)
The requirements for operating life testing are specified in Section 9 of ESA/SCC Generic Specification No. 5010. The conditions for operating life testing are specified in Table 5(c) of this specification.
- 4.8.4 Electrical Circuits for Operating Life Tests
The circuit to be used for performance of the operating life test shall be the same as shown in Figure 5(b) for Power Burn-in.
- 4.9 TOTAL DOSE IRRADIATION TESTING
Not applicable.
- 4.10 SPECIAL TESTING
Not applicable.

**TABLE 6 - ELECTRICAL MEASUREMENTS AT INTERMEDIATE POINTS AND ON COMPLETION OF ENDURANCE TESTING**

No.	CHARACTERISTICS	SYMBOL	SPEC. AND/OR TEST METHOD	TEST CONDITIONS	LIMITS		UNIT
					MIN.	MAX.	
1	Reverse Current 1	I_{R1}	As per Table 2	As per Table 2	-	10	μA
2	Reverse Current 2	I_{R2}	As per Table 2	As per Table 2	-	100	nA
3	Forward Voltage	V_F	As per Table 2	As per Table 2	-	1.1	V
5	Total Capacitance	C_T	As per Table 2	As per Table 2	-	Note 1	pF

NOTES

1. See Column 4 of Table 1(a)

FIGURE 6 - BIAS CONDITIONS FOR IRRADIATION TESTING

Not applicable.

TABLE 7 - ELECTRICAL MEASUREMENTS DURING AND ON COMPLETION OF IRRADIATION TESTING

Not applicable.

**SCC**ESA/SCC Detail Specification
No. 5513/037

PAGE 25

ISSUE 1

APPENDIX 'A'Page 1 of 1**AGREED DEVIATIONS FOR TEKELEC/TEMEX (F)**

ITEMS AFFECTED	DESCRIPTION OF DEVIATIONS
Para. 4.2.2	Para. 9.12, Radiographic Inspection, may be performed after Para. 9.7, Particle Impact Noise Detection (PIND) test, in X and Z axes only.
Para. 4.2.3	Para. 9.12, Radiographic Inspection, may be performed in Chart II.