



**european space agency
agence spatiale européenne**

Pages 1 to 46

INTEGRATED CIRCUITS, SILICON MONOLITHIC,

CMOS DUAL 4-INPUT NOR GATES,

BASED ON TYPE 4002B

ESA/SCC Detail Specification No. 9201/042



**space components
coordination group**

| Issue/Rev. | Date | Approved by | |
|------------|-----------|---------------|---------------------------------------|
| | | SCCG Chairman | ESA Director General or his Deputy |
| Issue 4 | June 2001 | | |
| | | | |
| | | | |
| | | | |



DOCUMENTATION CHANGE NOTICE

| Rev. Letter | Rev. Date | Reference | CHANGE Item | Approved DCR No. |
|-------------|-----------|---|-------------|--|
| | | <p>This issue supersedes Issue 3 and incorporates all modifications defined in Revisions 'A', 'B' and 'C' to Issue 3 and the changes agreed in the following DCR's:-</p> <p>Cover page DCN Para. 1.3 : New sentence added Table 1(b) : No. 8, Maximum temperature amended Para. 4.8.6 : Last sentence deleted, new text added Appendix 'A' : Appendix added</p> | | <p>None None 221602 221602 221602 221602</p> |

**TABLE OF CONTENTS**

| | <u>Page</u> |
|---|-------------|
| 1. <u>GENERAL</u> | 5 |
| 1.1 Scope | 5 |
| 1.2 Component Type Variants | 5 |
| 1.3 Maximum Ratings | 5 |
| 1.4 Parameter Derating Information | 5 |
| 1.5 Physical Dimensions | 5 |
| 1.6 Pin Assignment | 5 |
| 1.7 Truth Table | 5 |
| 1.8 Circuit Schematic | 5 |
| 1.9 Functional Diagram | 5 |
| 1.10 Handling Precautions | 5 |
| 1.11 Input Protection Network | 5 |
| 2. <u>APPLICABLE DOCUMENTS</u> | 15 |
| 3. <u>TERMS, DEFINITIONS, ABBREVIATIONS, SYMBOLS AND UNITS</u> | 15 |
| 4. <u>REQUIREMENTS</u> | 15 |
| 4.1 General | 15 |
| 4.2 Deviations from Generic Specification | 15 |
| 4.2.1 Deviations from Special In-process Controls | 15 |
| 4.2.2 Deviations from Final Production Tests | 15 |
| 4.2.3 Deviations from Burn-in Tests | 15 |
| 4.2.4 Deviations from Qualification Tests | 15 |
| 4.2.5 Deviations from Lot Acceptance Tests | 16 |
| 4.3 Mechanical Requirements | 16 |
| 4.3.1 Dimension Check | 16 |
| 4.3.2 Weight | 16 |
| 4.4 Materials and Finishes | 16 |
| 4.4.1 Case | 16 |
| 4.4.2 Lead Material and Finish | 16 |
| 4.5 Marking | 16 |
| 4.5.1 General | 16 |
| 4.5.2 Lead Identification | 16 |
| 4.5.3 The SCC Component Number | 17 |
| 4.5.4 Traceability Information | 17 |
| 4.6 Electrical Measurements | 17 |
| 4.6.1 Electrical Measurements at Room Temperature | 17 |
| 4.6.2 Electrical Measurements at High and Low Temperatures | 17 |
| 4.6.3 Circuits for Electrical Measurements | 17 |
| 4.7 Burn-in Tests | 17 |
| 4.7.1 Parameter Drift Values | 17 |
| 4.7.2 Conditions for H.T.R.B. and Burn-in | 17 |
| 4.7.3 Electrical Circuits for H.T.R.B. and Burn-in | 17 |
| 4.8 Environmental and Endurance Tests | 44 |
| 4.8.1 Electrical Measurements on Completion of Environmental Tests | 44 |
| 4.8.2 Electrical Measurements at Intermediate Points during Endurance Tests | 44 |
| 4.8.3 Electrical Measurements on Completion of Endurance Tests | 44 |
| 4.8.4 Conditions for Operating Life Test | 44 |
| 4.8.5 Electrical Circuits for Operating Life Tests | 44 |
| 4.8.6 Conditions for High Temperature Storage Test | 44 |

**TABLES**

| | <u>Page</u> |
|--|-------------|
| 1(a) Type Variants | 6 |
| 1(b) Maximum Ratings | 6 |
| 2 Electrical Measurements at Room Temperature, d.c. Parameters | 18 |
| Electrical Measurements at Room Temperature, a.c. Parameters | 22 |
| 3(a) Electrical Measurements at High Temperature | 24 |
| 3(b) Electrical Measurements at Low Temperature | 28 |
| 4 Parameter Drift Values | 39 |
| 5(a) Conditions for Burn-in High Temperature Reverse Bias, N-Channels | 40 |
| 5(b) Conditions for Burn-in High Temperature Reverse Bias, P-Channels | 40 |
| 5(c) Conditions for Burn-in Dynamic | 41 |
| 6 Electrical Measurements on Completion of Environmental Tests and at Intermediate Points and on Completion of Endurance Testing. | 45 |

FIGURES

| | |
|---|----|
| 1 Not applicable | |
| 2 Physical Dimensions | 7 |
| 3(a) Pin Assignment | 12 |
| 3(b) Truth Table | 12 |
| 3(c) Circuit Schematic | 13 |
| 3(d) Functional Diagram | 13 |
| 3(e) Input Protection Network | 14 |
| 4 Circuits for Electrical Measurements | 32 |
| 5(a) Electrical Circuit for Burn-in High Temperature Reverse Bias, N-Channels | 42 |
| 5(b) Electrical Circuit for Burn-in High Temperature Reverse Bias, P-Channels | 42 |
| 5(c) Electrical Circuit for Burn-in Dynamic | 43 |

APPENDICES (Applicable to specific Manufacturers only)

| | |
|--|----|
| 'A' Agreed Deviations for STMicroelectronics (F) | 46 |
|--|----|

**1. GENERAL****1.1 SCOPE**

This specification details the ratings, physical and electrical characteristics, test and inspection data for a silicon, monolithic, CMOS Dual 4-Input NOR Gate, having fully buffered outputs, based on Type 4002B. It shall be read in conjunction with ESA/SCC Generic Specification No. 9000, the requirements of which are supplemented herein.

1.2 COMPONENT TYPE VARIANTS

Variants of the basic type integrated circuits specified herein, which are also covered by this specification, are given in Table 1(a).

1.3 MAXIMUM RATINGS

The maximum ratings, which shall not be exceeded at any time during use or storage, applicable to the integrated circuits specified herein, are as scheduled in Table 1(b).

Maximum ratings shall only be exceeded during testing to the extent specified in this specification and when stipulated in Test Methods and Procedures of the applicable ESA/SCC Generic Specification.

1.4 PARAMETER DERATING INFORMATION (FIGURE 1)

Not applicable.

1.5 PHYSICAL DIMENSIONS

The physical dimensions of the integrated circuits specified herein are shown in Figure 2.

1.6 PIN ASSIGNMENT

As per Figure 3(a).

1.7 TRUTH TABLE

As per Figure 3(b).

1.8 CIRCUIT SCHEMATIC

As per Figure 3(c).

1.9 FUNCTIONAL DIAGRAM

As per Figure 3(d).

1.10 HANDLING PRECAUTIONS

These devices are susceptible to damage by electrostatic discharge. Therefore, suitable precautions shall be employed for protection during all phases of manufacture, testing, packaging, shipment and any handling. These components are categorised as Class 1 with a Minimum Critical Path Failure Voltage of 400Volts.

1.11 INPUT PROTECTION NETWORK

Double diode protection shall be incorporated into each input as shown in Figure 3(e).

**TABLE 1(a) - TYPE VARIANTS**

| VARIANT | CASE | FIGURE | LEAD MATERIAL AND/OR FINISH |
|---------|--------------|--------|-----------------------------|
| 01 | FLAT | 2(a) | G2 or G8 |
| 02 | FLAT | 2(a) | G4 |
| 03 | D.I.L. | 2(b) | G2 or G8 |
| 04 | D.I.L. | 2(b) | G4 |
| 07 | CHIP CARRIER | 2(c) | 2 |
| 08 | SO CERAMIC | 2(d) | G2 |
| 09 | SO CERAMIC | 2(d) | G4 |

TABLE 1(b) - MAXIMUM RATINGS

| NO. | CHARACTERISTICS | SYMBOL | MAXIMUM RATINGS | UNITS | REMARKS |
|-----|--|--------------|------------------------|-------|--------------------|
| 1 | Supply Voltage | V_{DD} | -0.5 to +18 | V | Note 1 |
| 2 | Input Voltage | V_{IN} | -0.5 to $V_{DD} + 0.5$ | V | Note 2 Power on |
| 3 | D.C. Input Current | $\pm I_{IN}$ | 10 | mA | - |
| 4 | D.C. Output Current | $\pm I_{O}$ | 10 | mA | Note 3 |
| 5 | Device Dissipation | P_D | 200 | mWdc | Per Package |
| 6 | Output Dissipation | P_{DSO} | 100 | mWdc | Note 4 |
| 7 | Operating Temperature Range | T_{op} | -55 to +125 | °C | - |
| 8 | Storage Temperature Range | T_{stg} | -65 to +150 | °C | - |
| 9 | Soldering Temperature For FP and DIP For CCP | T_{sol} | +300 +245 | °C | Note 5 Note 6 |

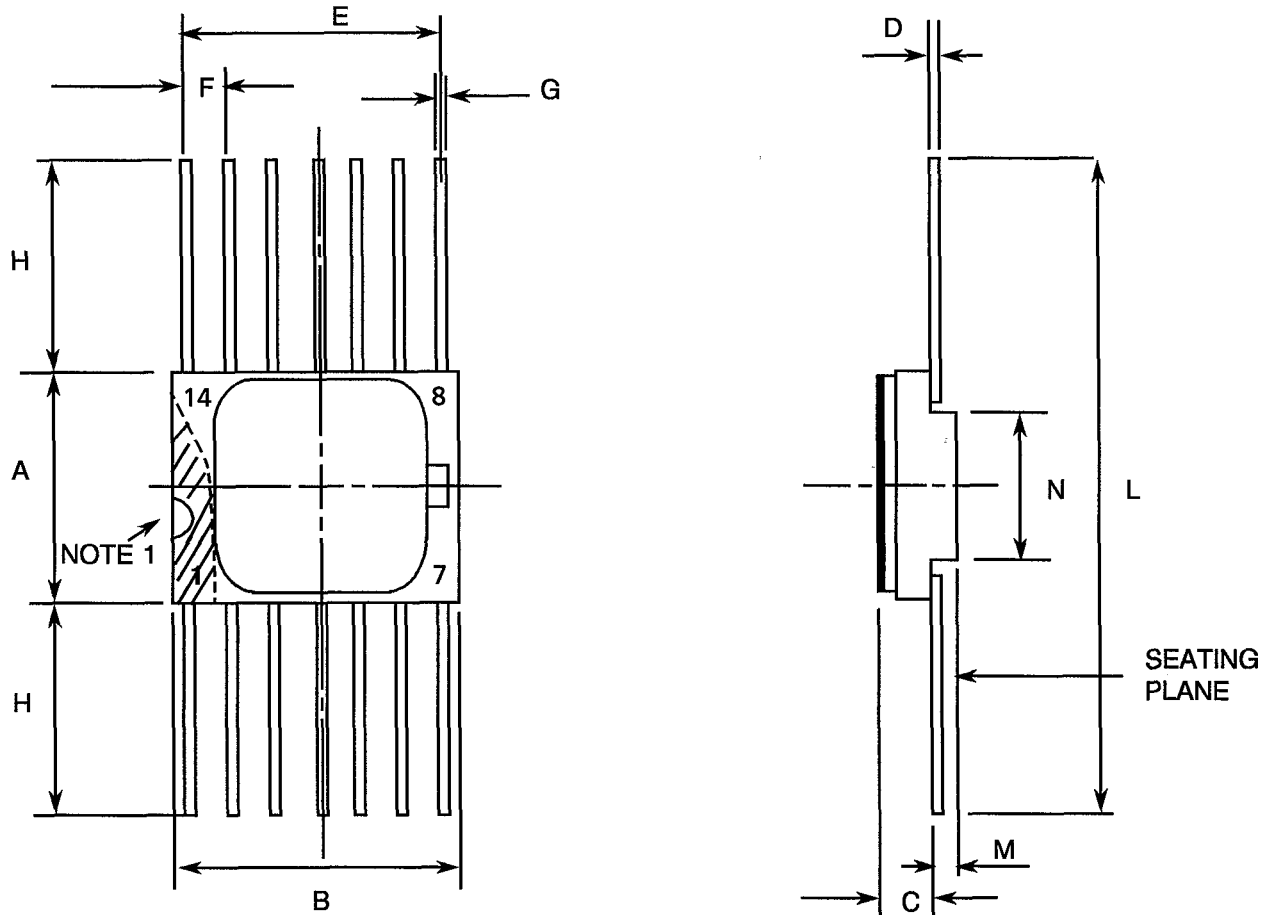
NOTES

- Device is functional from +3V to +15V with reference to V_{SS} .
- $V_{DD} + 0.5V$ should not exceed +18V.
- The maximum output current of any single output.
- The maximum power dissipation of any single output.
- Duration 10 seconds maximum at a distance of not less than 1.5mm from the device body and the same lead shall not be resoldered until 3 minutes have elapsed.
- Duration 30 seconds maximum and the same terminal shall not be resoldered until 3 minutes have elapsed.



FIGURE 2 - PHYSICAL DIMENSIONS

FIGURE 2(a) - FLAT PACKAGE, 14-Pin



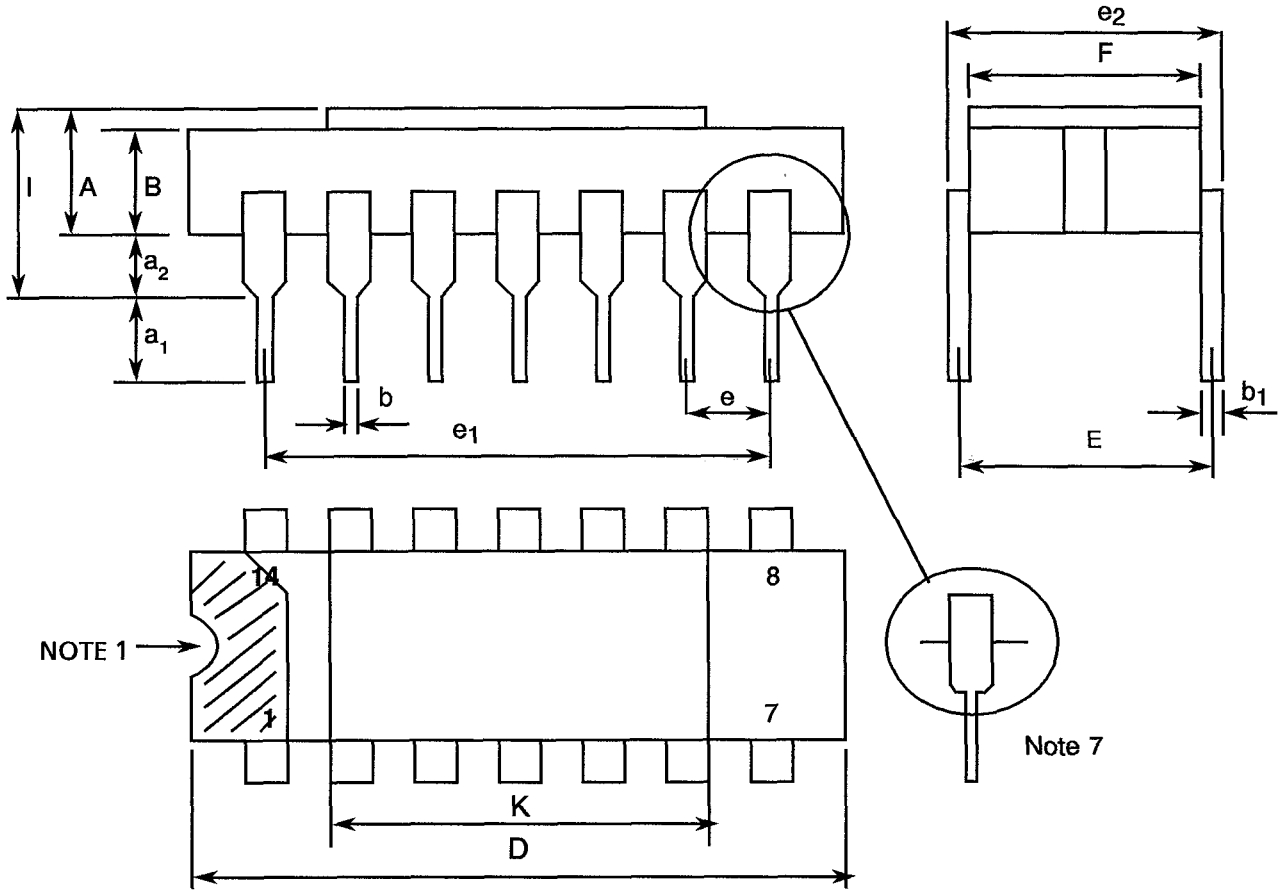
| SYMBOL | MILLIMETRES | | NOTES |
|--------|-------------|---------|-------|
| | MIN | MAX | |
| A | 6.75 | 7.06 | |
| B | 9.76 | 10.14 | |
| C | 1.49 | 1.95 | |
| D | 0.102 | 0.152 | 3 |
| E | 7.50 | 7.75 | |
| F | 1.27 | TYPICAL | 4 |
| G | 0.38 | 0.48 | 3 |
| H | 6.0 | - | 3 |
| L | 18.75 | 22.0 | |
| M | 0.33 | 0.43 | |
| N | 4.31 | TYPICAL | |

NOTES: See Page 11.



FIGURE 2 - PHYSICAL DIMENSIONS (CONTINUED)

FIGURE 2(b) - DUAL-IN-LINE PACKAGE, 14 - PIN



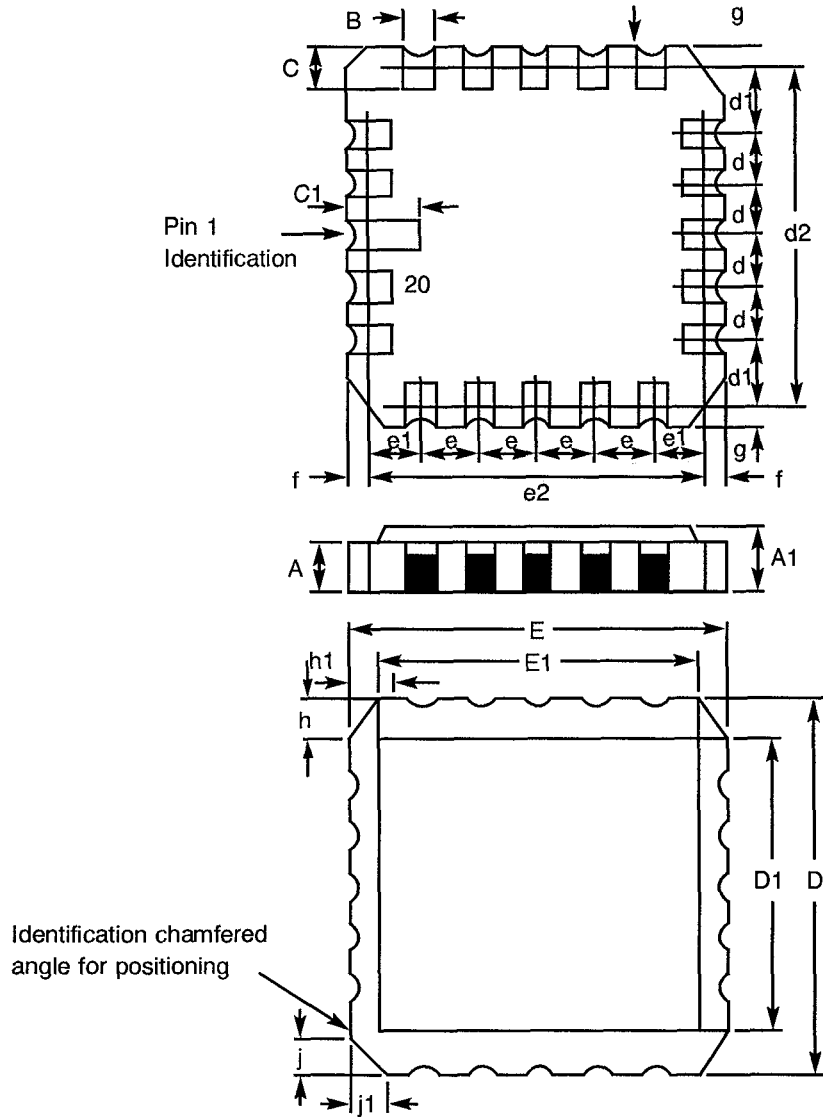
| SYMBOL | MILLIMETRES | | NOTES |
|----------------|-------------|-------|-------|
| | MIN | MAX | |
| A | 2.10 | 2.54 | |
| a ₁ | 3.0 | 3.7 | |
| a ₂ | 0.63 | 1.14 | 2 |
| B | 1.82 | 2.23 | |
| b | 0.40 | 0.50 | 3 |
| b ₁ | 0.20 | 0.30 | 3 |
| D | 18.79 | 19.20 | |
| E | 7.36 | 7.87 | |
| e | 2.29 | 2.79 | 4 |
| e ₁ | 15.11 | 15.37 | |
| e ₂ | 7.62 | 8.12 | |
| F | 7.11 | 7.75 | |
| I | - | 3.70 | |
| K | 10.90 | 12.10 | |

NOTES: See Page 11.



FIGURE 2 - PHYSICAL DIMENSIONS (CONTINUED)

FIGURE 2(c) - CHIP CARRIER - 20-TERMINAL



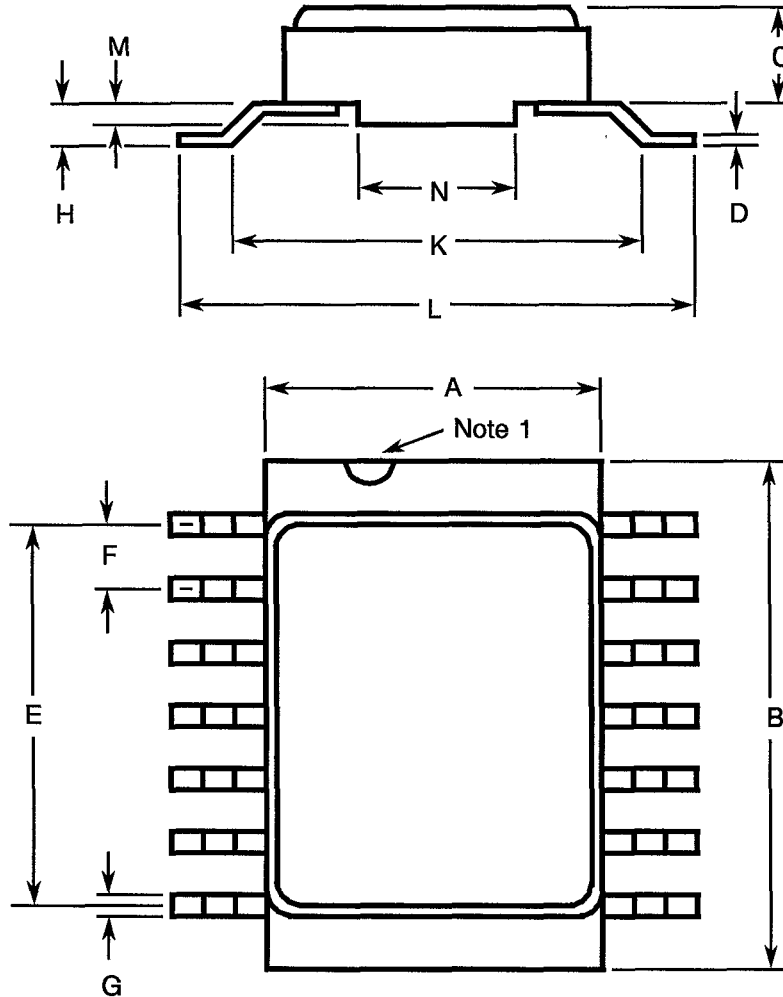
| DIMENSIONS | MILLIMETRES | | NOTES |
|----------------|-------------|---------|-------|
| | MIN | MAX | |
| A | 1.14 | 1.95 | |
| A1 | 1.63 | 2.36 | |
| B | 0.55 | 0.72 | 3 |
| C | 1.06 | 1.47 | 3 |
| C ₁ | 1.91 | 2.41 | |
| D | 8.67 | 9.09 | |
| D1 | 7.21 | 7.52 | |
| d, d1 | 1.27 | TYPICAL | 4 |
| d2 | 7.62 | TYPICAL | |
| E | 8.67 | 9.09 | |
| E1 | 7.21 | 7.52 | |
| e, e1 | 1.27 | TYPICAL | 4 |
| e2 | 7.62 | TYPICAL | |
| f, g | - | 0.76 | |
| h, h1 | 1.01 | TYPICAL | 6 |
| j, j1 | 0.51 | TYPICAL | 5 |

NOTES: See Page 11.



FIGURE 2 - PHYSICAL DIMENSIONS (CONTINUED)

FIGURE 2(d) - SMALL OUTLINE CERAMIC PACKAGE, 14-PIN



| SYMBOL | MILLIMETRES | | NOTES |
|--------|--------------|-------|-------|
| | MIN. | MAX. | |
| A | 6.75 | 7.06 | |
| B | 9.76 | 10.14 | |
| C | 1.49 | 1.95 | |
| D | 0.102 | 0.152 | 3 |
| E | 7.50 | 7.75 | |
| F | 1.27 TYPICAL | | 4 |
| G | 0.38 | 0.48 | 3 |
| H | 0.60 | 0.90 | 3 |
| K | 9.00 TYPICAL | | |
| L | 10 | 10.65 | |
| M | 0.33 | 0.43 | |
| N | 4.31 TYPICAL | | |

NOTES: See Page 11.


| | | | |
|--|---|--|--------------------|
|  | ESASCC Detail Specification No. 9201/042 | | PAGE 11 ISSUE 4 |
|--|---|--|--------------------|

FIGURE 2 - PHYSICAL DIMENSIONS (CONTINUED)

NOTES TO FIGURES 2(a) TO 2(d) INCLUSIVE

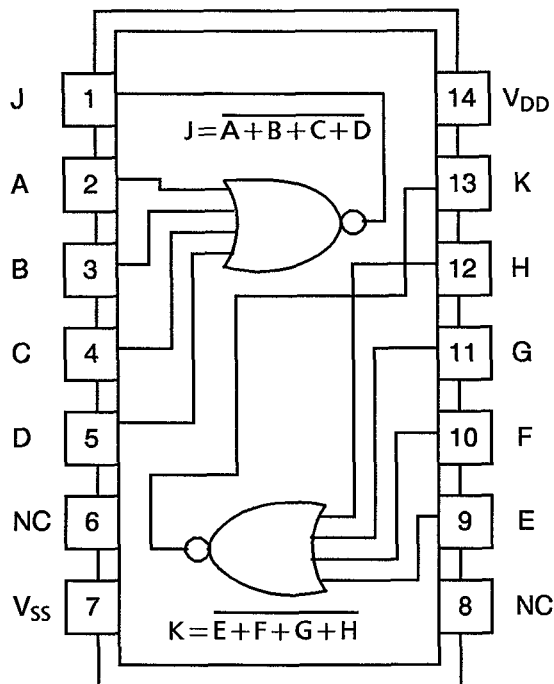
1. Index area: a notch, letter or dot shall be located adjacent to Pin 1 and shall be within the shaded area shown. For chip carrier packages the index shall be as defined in Figure 2(c).
2. The dimension shall be measured from the seating plane to the base plane.
3. All leads or terminals.
4. Twelve spaces.
5. Index corner only.
6. Three non-index corners.
7. For all pins, either pin shape may be supplied.



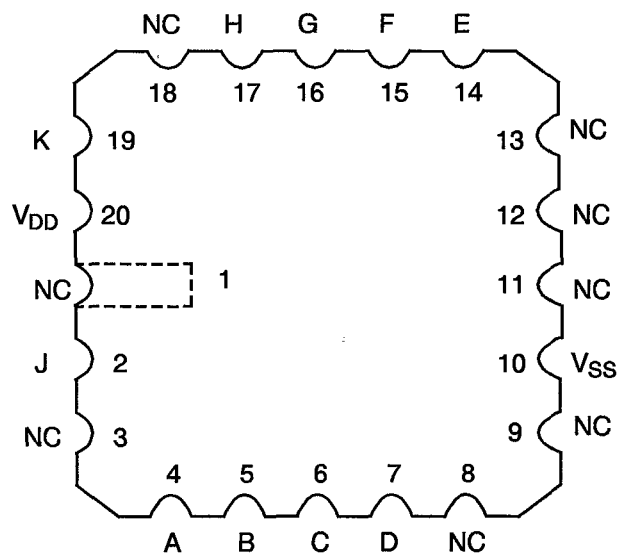
FIGURE 3(a) - PIN ASSIGNMENT

DUAL-IN-LINE, SO AND FLAT PACKAGES

CHIP CARRIER PACKAGE



TOP VIEW



TOP VIEW

FLAT PACKAGE, SO AND DUAL-IN-LINE TO CHIP CARRIER PIN ASSIGNMENT

FLAT PACKAGE, SO AND
DUAL-IN-LINE PIN OUTS

1 2 3 4 5 6 7 8 9 10 11 12 13 14

CHIP CARRIER PIN OUTS

2 4 5 6 7 9 10 12 14 15 16 17 19 20

FIGURE 3(b) - TRUTH TABLE (EACH GATE)

| INPUTS | | | | OUTPUTS |
|--------|---|---|---|---------|
| A | B | C | D | J |
| L | L | L | L | H |
| H | X | X | X | L |
| X | H | X | X | L |
| X | X | H | X | L |
| X | X | X | H | L |

NOTES

1. Positive Logic: $J = \overline{A+B+C+D}$
2. Logic Level Definitions: L = Low Level, H = High Level, X = Irrelevant

FIGURE 3(c) - CIRCUIT SCHEMATIC (EACH GATE)

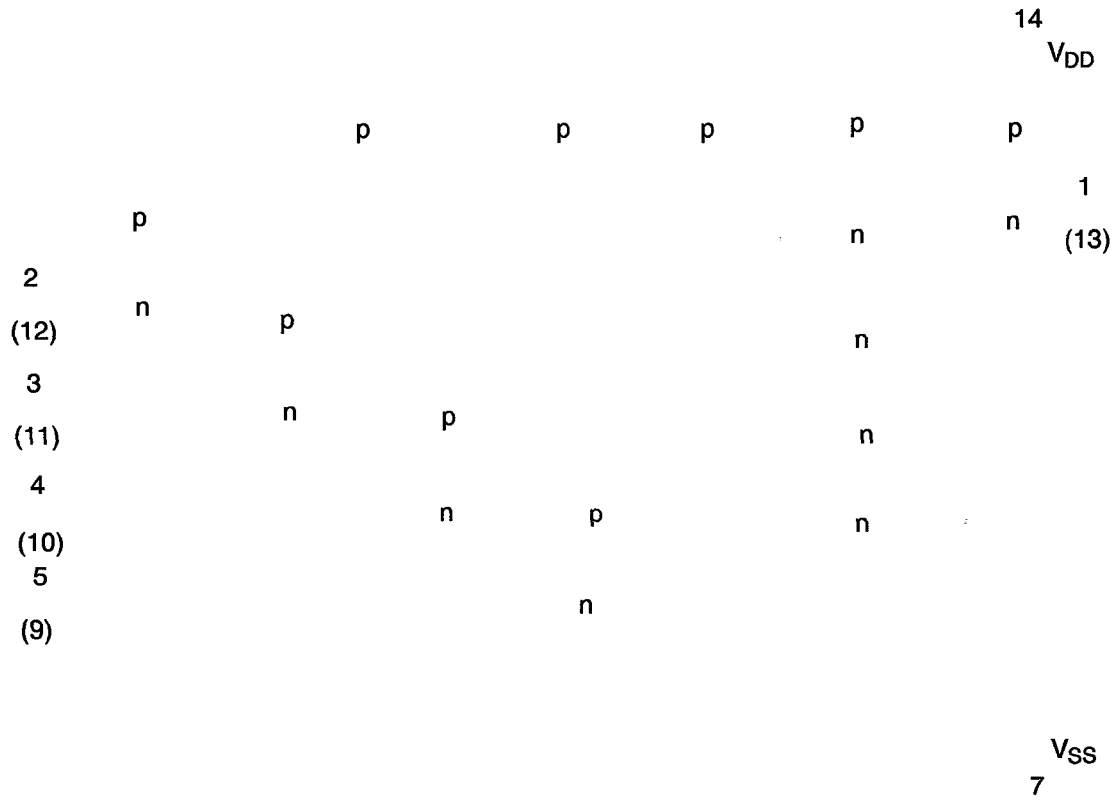


FIGURE 3(d) - FUNCTIONAL DIAGRAM (EACH GATE)

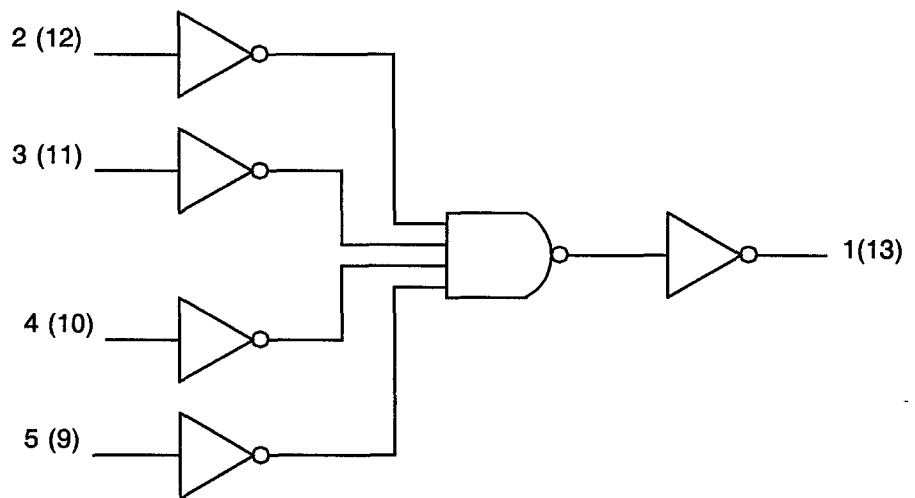
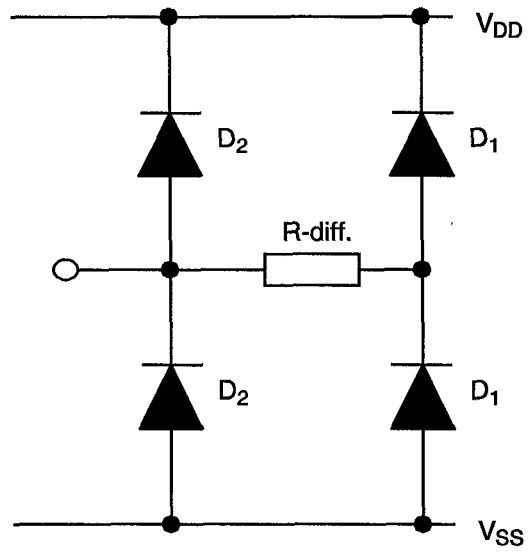






FIGURE 3(e) - INPUT PROTECTION NETWORK



| | | |
|---|--|--------------------|
|   | ESA/SCC Detail Specification No. 9201/042 | PAGE 15 ISSUE 4 |
|---|--|--------------------|

2. APPLICABLE DOCUMENTS

The following documents form part of this specification and shall be read in conjunction with it:-

- (a) ESA/SCC Generic Specification No. 9000 for Integrated Circuits.
- (b) MIL-STD-883, Test Methods and Procedures for Micro-electronics.

3. TERMS, DEFINITIONS, ABBREVIATIONS, SYMBOLS AND UNITS

For the purpose of this specification, the terms, definitions, abbreviations, symbols and units specified in ESA/SCC Basic Specification No. 21300 shall apply. In addition, the following abbreviations are used:

V_{IC} = Input Clamp Voltage
 P_{DSO} = Single Output Power Dissipation
 CKT = Circuit

4. REQUIREMENTS

4.1 GENERAL

The complete requirements for procurement of the integrated circuits specified herein shall be as stated in this specification and ESA/SCC Generic Specification No. 9000 for Integrated Circuits. Deviations from the Generic Specification, applicable to this specification only, are listed in Para.4.2.

Deviations from the applicable Generic Specification and this detail specification, formally agreed with specific Manufacturers on the basis that the alternative requirements are equivalent to the ESA/SCC requirement and do not affect the components' reliability, are listed in the appendices attached to this specification.

4.2 DEVIATIONS FROM GENERIC SPECIFICATION

4.2.1 Deviations from Special In-process Controls

None.

4.2.2 Deviations from Final Production Tests (Chart II)

None.

4.2.3 Deviations from Burn-in Tests (Chart III)

4.2.3.1 Deviations from High Temperature Reverse Bias (H.T.R.B.)

Prior to operating power burn-in, a high temperature reverse bias (H.T.R.B.) screen at +125°C shall be added for the N-Channel and then for the P-Channel in accordance with Tables 5(a) and 5(b) of this specification. Each exposure to H.T.R.B. shall be 72 hours and Table 4 Parameter Drift Values shall be applied at 0 and 144 hours.

4.2.4 Deviations from Qualification Tests (Chart IV)

None.

**4.2.5 Deviations from Lot Acceptance Tests (Chart V)**

None.

4.3 MECHANICAL REQUIREMENTS**4.3.1 Dimension Check**

The dimensions of the integrated circuits specified herein shall be checked. They shall conform to those shown in Figure 2.

4.3.2 Weight

The maximum weight of the integrated circuits specified herein shall be 1.34 grammes for the dual-in-line package, 0.58 grammes for the flat and SO packages and 0.52 grammes for the chip carrier package.

4.4 MATERIALS AND FINISHES

The materials shall be as specified herein. Where a definite material is not specified, a material which will enable the integrated circuits specified herein to meet the performance requirements of this specification shall be used. Acceptance or approval of any constituent material does not guarantee acceptance of the finished product.

4.4.1 Case

The case shall be hermetically sealed and have a metal body with hard glass seals or a ceramic body and the lids shall be welded, brazed or preform-soldered.

4.4.2 Lead Material and Finish

For dual-in-line and flat packages, the material shall be Type 'G' with either Type '4' or Type '2 or 8' finish in accordance with ESA/SCC Basic Specification No. 23500. For chip carrier packages the finish shall be Type '2' in accordance with ESA/SCC Basic Specification No. 23500. For SO ceramic packages, the material shall be Type 'G' with either Type '2' or Type '4' finish in accordance with ESA/SCC Basic Specification No. 23500. (See Table 1(a) for Type Variants).

4.5 MARKING**4.5.1 General**

The marking of all components delivered to this specification shall be in accordance with the requirements of ESA/SCC Basic Specification No. 21700. Each component shall be marked in respect of:-

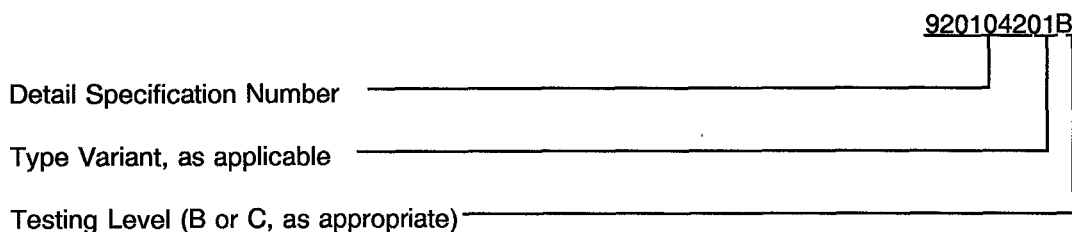
- (a) Lead Identification.
- (b) The SCC Component Number.
- (c) Traceability Information.

4.5.2 Lead Identification

For dual-in-line, flat and SO packages, an index shall be located at the top of the package in the position defined in Note 1 to Figure 2 or, alternatively, a tab may be used to identify Pin No. 1. The pin numbering must be read with the index or tab on the left-hand side. For chip carrier packages, the index shall be as defined by Figure 2(c).

4.5.3 The SCC Component Number

Each component shall bear the SCC Component Number which shall be constituted and marked as follows:



4.5.4 Traceability Information

Each component shall be marked in respect of traceability information in accordance with the requirements of ESA/SCC Basic Specification No. 21700.

4.6 ELECTRICAL MEASUREMENTS

4.6.1 Electrical Measurements at Room Temperature

The parameters to be measured in respect of electrical characteristics are scheduled in Table 2. Unless otherwise specified, the measurements shall be performed at $T_{amb} = +22 \pm 3 \text{ }^\circ\text{C}$.

4.6.2 Electrical Measurements at High and Low Temperatures

The parameters to be measured at high and low temperatures are scheduled in Table 3. The measurements shall be performed at $T_{amb} = +125(+0-5) \text{ }^\circ\text{C}$ and $-55(+5-0) \text{ }^\circ\text{C}$ respectively.

4.6.3 Circuits for Electrical Measurements

Circuits and functional test sequence for use in performing electrical measurements listed in Tables 2 and 3 of this specification are shown in Figure 4.

4.7 BURN-IN TESTS

4.7.1 Parameter Drift Values

The parameter drift values applicable to burn-in are specified in Table 4 of this specification. Unless otherwise stated, measurements shall be performed at $+22 \pm 3 \text{ }^\circ\text{C}$. The parameter drift values (Δ) applicable to the parameters scheduled, shall not be exceeded. In addition to these drift value requirements, the appropriate limit value specified for a given parameter in Table 2 shall not be exceeded.

4.7.2 Conditions for H.T.R.B. and Burn-in

The requirements for H.T.R.B. and Burn-in are specified in Section 7 of ESA/SCC Generic Specification No. 9000. The conditions for H.T.R.B. and Burn-in shall be as specified in Tables 5(a), 5(b) and 5(c) of this specification.

4.7.3 Electrical Circuits for H.T.R.B and Burn-in

Circuits for use in performing the H.T.R.B. and Burn-in tests are shown in Figures 5(a), 5(b) and 5(c) of this specification.



TABLE 2 - ELECTRICAL MEASUREMENTS AT ROOM TEMPERATURE - d.c. PARAMETERS

| NO. | CHARACTERISTICS | SYMBOL | TEST METHOD MIL-STD 883 | TEST FIG. | TEST CONDITIONS (PINS UNDER TEST D/F = DIP AND FP C = CCP) | LIMITS | | UNIT |
|----------|--------------------------|----------|-------------------------|-----------|---|--------|------|------|
| | | | | | | MIN | MAX | |
| 1 | Functional Test | - | - | 4(a) | Verify Truth Table without Load. $V_{DD} = 3V_{dc}$, $V_{SS} = 0V_{dc}$ Notes 1 and 2 | - | - | - |
| 2 | Functional Test | - | - | 4(a) | Verify Truth Table without Load. $V_{DD} = 15V_{dc}$, $V_{SS} = 0V_{dc}$ Notes 1 and 2 | - | - | - |
| 3 to 5 | Quiescent Current | I_{DD} | 3005 | 4(b) | $V_{IL} = 0V_{dc}$, $V_{IH} = 15V_{dc}$ $V_{DD} = 15V_{dc}$, $V_{SS} = 0V_{dc}$ Note 3 (Pin D/F 14) (Pin C 20) | - | 100 | nA |
| 6 to 13 | Input Current Low Level | I_{IL} | 3009 | 4(c) | V_{IN} (Under Test) = $0V_{dc}$ V_{IN} (Remaining Inputs) = $15V_{dc}$ $V_{DD} = 15V_{dc}$, $V_{SS} = 0V_{dc}$ (Pins D/F 2-3-4-5-9-10-11-12) (Pins C 4-5-6-7-14-15-16-17) | - | -50 | nA |
| 14 to 21 | Input Current High Level | I_{IH} | 3010 | 4(d) | V_{IN} (Under Test) = $15V_{dc}$ V_{IN} (Remaining Inputs) = $0V_{dc}$ $V_{DD} = 15V_{dc}$, $V_{SS} = 0V_{dc}$ (Pins D/F 2-3-4-5-9-10-11-12) (Pins C 4-5-6-7-14-15-16-17) | - | 50 | nA |
| 22 to 29 | Output Voltage Low Level | V_{OL} | 3007 | 4(e) | Gate Under Test: $V_{IN1} = 15V_{dc}$, $V_{IN2} = V_{IN3} = V_{IN4} = 0V_{dc}$ ($V_{IN2} = 15V_{dc}$, $V_{IN1} = V_{IN3} = V_{IN4} = 0V_{dc}$) ($V_{IN3} = 15V_{dc}$, $V_{IN1} = V_{IN2} = V_{IN4} = 0V_{dc}$) ($V_{IN4} = 15V_{dc}$, $V_{IN1} = V_{IN2} = V_{IN3} = 0V_{dc}$) $V_{OUT} = \text{Open}$ Other Gate: $V_{IN} = 0V_{dc}$ $V_{DD} = 15V_{dc}$, $V_{SS} = 0V_{dc}$ (Pins D/F 1-13) (Pins C 2-19) | - | 0.05 | V |

NOTES: See Page 23.

**TABLE 2 - ELECTRICAL MEASUREMENTS AT ROOM TEMPERATURE - d.c. PARAMETERS (CONT'D)**

| NO. | CHARACTERISTICS | SYMBOL | TEST METHOD MIL-STD 883 | TEST FIG. | TEST CONDITIONS (PINS UNDER TEST D/F = DIP AND FP C = CCP) | LIMITS | | UNIT |
|----------------|--------------------------------|-----------|-------------------------------|-----------|---|--------|-----|------|
| | | | | | | MIN | MAX | |
| 30 to 31 | Output Voltage High Level | V_{OH} | 3006 | 4(f) | Gate Under Test: $V_{IN} = 0V_{dc}$ $V_{OUT} = \text{Open}$ Other Gate: $V_{IN} = 15V_{dc}$ $V_{DD} = 15V_{dc}$, $V_{SS} = 0V_{dc}$ (Pins D/F 1-13) (Pins C 2-19) | 14.95 | - | V |
| 32 to 39 | Output Drive Current N-Channel | I_{OL1} | - | 4(g) | Gate Under Test: $V_{IN1} = 5V_{dc}$, $V_{IN2} = V_{IN3} = V_{IN4} = 0V_{dc}$ ($V_{IN1} = V_{IN2} = 5V_{dc}$, $V_{IN3} = V_{IN4} = 0V_{dc}$) ($V_{IN1} = V_{IN2} = V_{IN3} = 5V_{dc}$, $V_{IN4} = 0V_{dc}$) ($V_{IN1} = V_{IN2} = V_{IN3} =$ $V_{IN4} = 5V_{dc}$) $V_{OUT} = 0.4V_{dc}$ Other Gate: $V_{IN} = 0V_{dc}$ $V_{DD} = 5V_{dc}$, $V_{SS} = 0V_{dc}$ Note 4 (Pins D/F 1-13) (Pins C 2-19) | 0.51 | - | mA |
| 40 to 47 | Output Drive Current N-Channel | I_{OL2} | - | 4(g) | Gate Under Test: $V_{IN1} = 15V_{dc}$, $V_{IN2} = V_{IN3} = V_{IN4} = 0V_{dc}$ ($V_{IN1} = V_{IN2} = 15V_{dc}$, $V_{IN3} = V_{IN4} = 0V_{dc}$) ($V_{IN1} = V_{IN2} = V_{IN3} = 15V_{dc}$, $V_{IN4} = 0V_{dc}$) ($V_{IN1} = V_{IN2} = V_{IN3} =$ $V_{IN4} = 15V_{dc}$) $V_{OUT} = 1.5V_{dc}$ Other Gate: $V_{IN} = 0V_{dc}$ $V_{DD} = 15V_{dc}$, $V_{SS} = 0V_{dc}$ Note 4 (Pins D/F 1-13) (Pins C 2-19) | 3.4 | - | mA |

NOTES: See Page 23.

**TABLE 2 - ELECTRICAL MEASUREMENTS AT ROOM TEMPERATURE - d.c. PARAMETERS (CONT'D)**

| NO. | CHARACTERISTICS | SYMBOL | TEST METHOD MIL-STD 883 | TEST FIG. | TEST CONDITIONS (PINS UNDER TEST D/F = DIP AND FP C = CCP) | LIMITS | | UNIT |
|----------------|---|-----------|-------------------------------|-----------|---|--------|-----|------|
| | | | | | | MIN | MAX | |
| 48 to 49 | Output Drive Current P-Channel | I_{OH1} | - | 4(h) | Gate Under Test: All Inputs: $V_{IL} = 0V_{dc}$ $V_{OUT} = 4.6V_{dc}$ Other Gate: $V_{IN} = 5V_{dc}$ $V_{DD} = 5V_{dc}$, $V_{SS} = 0V_{dc}$ Note 4 (Pins D/F 1-13) (Pins C 2-19) | -0.51 | - | mA |
| 50 to 51 | Output Drive Current P-Channel | I_{OH2} | - | 4(h) | Gate Under Test: All Inputs: $V_{IL} = 0V_{dc}$ $V_{OUT} = 13.5V_{dc}$ Other Gate: $V_{IN} = 15V_{dc}$ $V_{DD} = 15V_{dc}$, $V_{SS} = 0V_{dc}$ Note 4 (Pins D/F1-13) (Pins C 2-19) | -3.4 | - | mA |
| 52 to 53 | Input Voltage Low Level (Noise Immunity) | V_{IL1} | - | 4(i) | Gate Under Test: All Inputs: $V_{IN} = 1.5V_{dc}$ Other Gate: $V_{IN} = 0V_{dc}$ $V_{DD} = 5V_{dc}$, $V_{SS} = 0V_{dc}$ (Pins D/F 1-13) (Pins C 2-19) | 4.5 | - | V |
| 54 to 55 | Input Voltage Low Level (Noise Immunity) | V_{IL2} | -- | 4(i) | Gate Under Test: All Inputs: $V_{IN} = 4V_{dc}$ Other Gate: $V_{IN} = 0V_{dc}$ $V_{DD} = 15V_{dc}$, $V_{SS} = 0V_{dc}$ (Pins D/F1-13) (Pins C 2-19) | 13.5 | - | V |
| 56 to 63 | Input Voltage High Level (Noise Immunity) | V_{IH1} | - | 4(j) | Gate Under Test: $V_{IN1} = 3.5V_{dc}$, $V_{IN2} = V_{IN3} = V_{IN4} = 1.5V_{dc}$ ($V_{IN2} = 3.5V_{dc}$, $V_{IN1} = V_{IN3} = V_{IN4} = 1.5V_{dc}$) ($V_{IN3} = 3.5V_{dc}$, $V_{IN1} = V_{IN2} = V_{IN4} = 1.5V_{dc}$) ($V_{IN4} = 3.5V_{dc}$, $V_{IN1} = V_{IN2} = V_{IN3} = 1.5V_{dc}$) Other Gate: $V_{IN} = 5V_{dc}$ $V_{DD} = 5V_{dc}$, $V_{SS} = 0V_{dc}$ (Pins D/F 1-13) (Pins C 2-19) | - | 0.5 | V |

NOTES: See Page 23.

**TABLE 2 - ELECTRICAL MEASUREMENTS AT ROOM TEMPERATURE - d.c. PARAMETERS (CONT'D)**

| NO. | CHARACTERISTICS | SYMBOL | TEST METHOD MIL-STD 883 | TEST FIG. | TEST CONDITIONS (PINS UNDER TEST D/F = DIP AND FP C = CCP) | LIMITS | | UNIT |
|----------------|---|-----------|-------------------------------|-----------|--|--------|------|------|
| | | | | | | MIN | MAX | |
| 64 to 71 | Input Voltage High Level (Noise Immunity) | V_{IH2} | - | 4(j) | Gate Under Test: $V_{IN1} = 11Vdc$, $V_{IN2} = V_{IN3} = V_{IN4} = 4Vdc$ ($V_{IN2} = 11Vdc$, $V_{IN1} = V_{IN3} = V_{IN4} = 4Vdc$) ($V_{IN3} = 11Vdc$, $V_{IN1} = V_{IN2} = V_{IN4} = 4Vdc$) ($V_{IN4} = 11Vdc$, $V_{IN1} = V_{IN2} = V_{IN3} = 4Vdc$) Other Gate: $V_{IN} = 15Vdc$ $V_{DD} = 15Vdc$, $V_{SS} = 0Vdc$ (Pins D/F 1-13) (Pins C 2-19) | - | 1.5 | V |
| 72 | Threshold Voltage N-Channel | V_{THN} | - | 4(k) | A Input at Ground All Other Inputs: $V_{IN} = 5Vdc$ $V_{DD} = 5Vdc$, $I_{SS} = -10\mu A$ (Pin D/F 7) (Pin C 10) | -0.7 | -3.0 | V |
| 73 | Threshold Voltage P-Channel | V_{THP} | - | 4(l) | A Input at Ground All Other Inputs: $V_{IN} = -5Vdc$ $V_{SS} = -5Vdc$, $I_{DD} = 10\mu A$ (Pin D/F 14) (Pin C 20) | 0.7 | 3.0 | V |
| 74 to 81 | Input Clamp Voltage (to V_{SS}) | V_{IC1} | - | 4(m) | I_{IN} (Under Test) = $-100\mu A$ $V_{DD} = \text{Open}$, $V_{SS} = 0Vdc$ All Other Pins Open (Pins D/F 2-3-4-5-9-10-11-12) (Pins C 4-5-6-7-14-15-16-17) | - | -2.0 | V |
| 82 to 89 | Input Clamp Voltage (to V_{DD}) | V_{IC2} | - | 4(n) | V_{IN} (Under Test) = $6Vdc$ $V_{SS} = \text{Open}$, $R = 30K\Omega$; (Pins D/F 2-3-4-5-9-10-11-12) (Pins C 4-5-6-7-14-15-16-17) | 3.0 | - | V |

NOTES: See Page 23.

**TABLE 2 - ELECTRICAL MEASUREMENTS AT ROOM TEMPERATURE - a.c. PARAMETERS**

| NO. | CHARACTERISTICS | SYMBOL | TEST METHOD MIL-STD 883 | TEST FIG. | TEST CONDITIONS (PINS UNDER TEST D/F = DIP AND FP C = CCP) | LIMITS | | UNIT |
|----------------|----------------------------------|-----------|-------------------------------|-----------|--|--------|-----|------|
| | | | | | | MIN | MAX | |
| 90 to 97 | Input Capacitance | C_{IN} | 3012 | 4(o) | V_{IN} (Not Under Test) = 0Vdc $V_{DD} = V_{SS} = 0Vdc$ Note 5 (Pins D/F 2-3-4-5-9-10- 11-12) (Pins C 4-5-6-7-14-15-16 -17) | - | 7.5 | pF |
| 98 | Propagation Delay Low to High | t_{PLH} | 3003 | 4(p) | V_{IN} (Under Test) = Pulse Generator V_{IN} (All Other Inputs) = 0Vdc $V_{DD} = 5Vdc, V_{SS} = 0Vdc$ Note 6 <u>Pins D/F</u> <u>Pins C</u> 2 to 1 4 to 2 | - | 200 | ns |
| 99 | Propagation Delay High to Low | t_{PHL} | 3003 | 4(p) | V_{IN} (Under Test) = Pulse Generator V_{IN} (All Other Inputs) = 0Vdc $V_{DD} = 5Vdc, V_{SS} = 0Vdc$ Note 6 <u>Pins D/F</u> <u>Pins C</u> 2 to 1 4 to 2 | - | 200 | ns |
| 100 | Transition Time Low to High | t_{TLH} | 3004 | 4(p) | V_{IN} (Under Test) = Pulse Generator V_{IN} (All Other Inputs) = 0Vdc $V_{DD} = 5Vdc, V_{SS} = 0Vdc$ Note 6 (Pin D/F 1) (Pins C 2) | - | 150 | ns |
| 101 | Transition Time High to Low | t_{THL} | 3004 | 4(p) | V_{IN} (Under Test) = Pulse Generator V_{IN} (All Other Inputs) = 0Vdc $V_{DD} = 5Vdc, V_{SS} = 0Vdc$ Note 6 (Pin D/F 1) (Pins C 2) | - | 150 | ns |

NOTES: See Page 23.



| | | | | |
|--|--|--|--|----------------------------|
|  |  | <p style="text-align: center;">ESA/SCC Detail Specification No. 9201/042</p> | | <p>PAGE 23 ISSUE 4</p> |
|--|--|--|--|----------------------------|

TABLE 2 - ELECTRICAL MEASUREMENTS AT ROOM TEMPERATURE (CONT'D)

NOTES

1. GO-NO-GO Test, each pattern of Test Table 4(a).
 $V_{OH} \geq V_{DD} - 0.5V_{dc}$ $V_{OL} \leq 0.5V_{dc}$
2. Maximum time to output comparator strobe 300 μ sec.
3. Test each pattern of Table 4(b).
4. Interchange of forcing and measuring function is permitted.
5. Measurement performed on a sample basis, LTPD 7 or less, with a Capacitance Bridge connected between each input under test and V_{SS} , only for Lots where LAT Level 2 is to be performed. (For LTPD sampling plan, see Annexe I of ESA/SCC 9000).
6. Measurement performed on a sample basis, LTPD 7 or less, (see Annexe I of ESA/SCC 9000).

**TABLE 3(a) - ELECTRICAL MEASUREMENTS AT HIGH TEMPERATURE, +125(+0 -5) °C**

| NO. | CHARACTERISTICS | SYMBOL | TEST METHOD MIL-STD 883 | TEST FIG. | TEST CONDITIONS (PINS UNDER TEST D/F = DIP AND FP C = CCP) | LIMITS | | UNIT |
|----------|--------------------------|----------|-------------------------------|-----------|---|--------|------|---------|
| | | | | | | MIN | MAX | |
| 1 | Functional Test | - | - | 4(a) | Verify Truth Table without Load. $V_{DD} = 3V_{dc}$, $V_{SS} = 0V_{dc}$ Notes 1 and 2 | - | - | - |
| 2 | Functional Test | - | - | 4(a) | Verify Truth Table without Load. $V_{DD} = 15V_{dc}$, $V_{SS} = 0V_{dc}$ Notes 1 and 2 | - | - | - |
| 3 to 5 | Quiescent Current | I_{DD} | 3005 | 4(b) | $V_{IL} = 0V_{dc}$, $V_{IH} = 15V_{dc}$ $V_{DD} = 15V_{dc}$, $V_{SS} = 0V_{dc}$ Note 3 (Pin D/F 14) (Pin C 20) | - | 1.0 | μA |
| 6 to 13 | Input Current Low Level | I_{IL} | 3009 | 4(c) | V_{IN} (Under Test) = $0V_{dc}$ V_{IN} (Remaining Inputs) = $15V_{dc}$ $V_{DD} = 15V_{dc}$, $V_{SS} = 0V_{dc}$ (Pins D/F 2-3-4-5-9-10-11-12) (Pins C 4-5-6-7-14-15-16-17) | - | -100 | nA |
| 14 to 21 | Input Current High Level | I_{IH} | 3010 | 4(d) | V_{IN} (Under Test) = $15V_{dc}$ V_{IN} (Remaining Inputs) = $0V_{dc}$ $V_{DD} = 15V_{dc}$, $V_{SS} = 0V_{dc}$ (Pins D/F 2-3-4-5-9-10-11-12) (Pins C 4-5-6-7-14-15-16-17) | - | 100 | nA |
| 22 to 29 | Output Voltage Low Level | V_{OL} | 3007 | 4(e) | Gate Under Test: $V_{IN1} = 15V_{dc}$, $V_{IN2} = V_{IN3} = V_{IN4} = 0V_{dc}$ ($V_{IN2} = 15V_{dc}$, $V_{IN1} = V_{IN3} = V_{IN4} = 0V_{dc}$) ($V_{IN3} = 15V_{dc}$, $V_{IN1} = V_{IN2} = V_{IN4} = 0V_{dc}$) ($V_{IN4} = 15V_{dc}$, $V_{IN1} = V_{IN2} = V_{IN3} = 0V_{dc}$) $V_{OUT} = \text{Open}$ Other Gate: $V_{IN} = 0V_{dc}$ $V_{DD} = 15V_{dc}$, $V_{SS} = 0V_{dc}$ (Pins D/F 1-13) (Pins C 2-19) | - | 0.05 | V |

NOTES: See Page 23.

**TABLE 3(a) - ELECTRICAL MEASUREMENTS AT HIGH TEMPERATURE, +125(+0-5) °C (CONT'D)**

| NO. | CHARACTERISTICS | SYMBOL | TEST METHOD MIL-STD 883 | TEST FIG. | TEST CONDITIONS (PINS UNDER TEST D/F = DIP AND FP C = CCP) | LIMITS | | UNIT |
|----------------|--------------------------------|-----------|-------------------------------|-----------|--|--------|-----|------|
| | | | | | | MIN | MAX | |
| 30 to 31 | Output Voltage High Level | V_{OH} | 3006 | 4(f) | Gate Under Test: $V_{IN} = 0Vdc$ $V_{OUT} = \text{Open}$ Other Gate: $V_{IN} = 15Vdc$ $V_{DD} = 15Vdc, V_{SS} = 0Vdc$ (Pins D/F 1-13) (Pins C 2-19) | 14.95 | - | V |
| 32 to 39 | Output Drive Current N-Channel | I_{OL1} | - | 4(g) | Gate Under Test: $V_{IN1} = 5Vdc,$ $V_{IN2} = V_{IN3} = V_{IN4} = 0Vdc$ ($V_{IN1} = V_{IN2} = 5Vdc,$ $V_{IN3} = V_{IN4} = 0Vdc$) ($V_{IN1} = V_{IN2} = V_{IN3} = 5Vdc,$ $V_{IN4} = 0Vdc$) ($V_{IN1} = V_{IN2} = V_{IN3} =$ $V_{IN4} = 5Vdc$) $V_{OUT} = 0.4Vdc$ Other Gate: $V_{IN} = 0Vdc$ $V_{DD} = 5Vdc, V_{SS} = 0Vdc$ Note 4 (Pins D/F 1-13) (Pins C 2-19) | 0.36 | - | mA |
| 40 to 47 | Output Drive Current N-Channel | I_{OL2} | - | 4(g) | Gate Under Test: $V_{IN1} = 15Vdc,$ $V_{IN2} = V_{IN3} = V_{IN4} = 0Vdc$ ($V_{IN1} = V_{IN2} = 15Vdc,$ $V_{IN3} = V_{IN4} = 0Vdc$) ($V_{IN1} = V_{IN2} = V_{IN3} = 15Vdc,$ $V_{IN4} = 0Vdc$) ($V_{IN1} = V_{IN2} = V_{IN3} =$ $V_{IN4} = 15Vdc$) $V_{OUT} = 1.5Vdc$ Other Gate: $V_{IN} = 0Vdc$ $V_{DD} = 15Vdc, V_{SS} = 0Vdc$ Note 4 (Pins D/F 1-13) (Pins C 2-19) | 2.4 | - | mA |

NOTES: See Page 23.

**TABLE 3(a) - ELECTRICAL MEASUREMENTS AT HIGH TEMPERATURE, +125(+0 -5) °C (CONT'D)**

| NO. | CHARACTERISTICS | SYMBOL | TEST METHOD MIL-STD 883 | TEST FIG. | TEST CONDITIONS (PINS UNDER TEST D/F = DIP AND FP C = CCP) | LIMITS | | UNIT |
|----------------|---|-----------|-------------------------------|-----------|---|--------|-----|------|
| | | | | | | MIN | MAX | |
| 48 to 49 | Output Drive Current P-Channel | I_{OH1} | - | 4(h) | Gate Under Test: All Inputs: $V_{IL} = 0V_{dc}$ $V_{OUT} = 4.6V_{dc}$ Other Gate: $V_{IN} = 5V_{dc}$ $V_{DD} = 5V_{dc}$, $V_{SS} = 0V_{dc}$ Note 4 (Pins D/F 1-13) (Pins C 2-19) | -0.36 | - | mA |
| 50 to 51 | Output Drive Current P-Channel | I_{OH2} | - | 4(h) | Gate Under Test: All Inputs: $V_{IL} = 0V_{dc}$ $V_{OUT} = 13.5V_{dc}$ Other Gate: $V_{IN} = 15V_{dc}$ $V_{DD} = 15V_{dc}$, $V_{SS} = 0V_{dc}$ Note 4 (Pins D/F1-13) (Pins C 2-19) | -2.4 | - | mA |
| 52 to 53 | Input Voltage Low Level (Noise Immunity) | V_{IL1} | - | 4(i) | Gate Under Test: All Inputs: $V_{IN} = 1.5V_{dc}$ Other Gate: $V_{IN} = 0V_{dc}$ $V_{DD} = 5V_{dc}$, $V_{SS} = 0V_{dc}$ (Pins D/F 1-13) (Pins C 2-19) | 4.5 | - | V |
| 54 to 55 | Input Voltage Low Level (Noise Immunity) | V_{IL2} | - | 4(i) | Gate Under Test: All Inputs: $V_{IN} = 4V_{dc}$ Other Gate: $V_{IN} = 0V_{dc}$ $V_{DD} = 15V_{dc}$, $V_{SS} = 0V_{dc}$ (Pins D/F1-13) (Pins C 2-19) | 13.5 | - | V |
| 56 to 63 | Input Voltage High Level (Noise Immunity) | V_{IH1} | - | 4(j) | Gate Under Test: $V_{IN1} = 3.5V_{dc}$, $V_{IN2} = V_{IN3} = V_{IN4} = 1.5V_{dc}$ ($V_{IN2} = 3.5V_{dc}$, $V_{IN1} = V_{IN3} = V_{IN4} = 1.5V_{dc}$) ($V_{IN3} = 3.5V_{dc}$, $V_{IN1} = V_{IN2} = V_{IN4} = 1.5V_{dc}$) ($V_{IN4} = 3.5V_{dc}$, $V_{IN1} = V_{IN2} = V_{IN3} = 1.5V_{dc}$) Other Gate: $V_{IN} = 5V_{dc}$ $V_{DD} = 5V_{dc}$, $V_{SS} = 0V_{dc}$ (Pins D/F 1-13) (Pins C 2-19) | - | 0.5 | V |

NOTES: See Page 23.

**TABLE 3(a) - ELECTRICAL MEASUREMENTS AT HIGH TEMPERATURE, +125(+0 -5) °C (CONT'D)**

| NO. | CHARACTERISTICS | SYMBOL | TEST METHOD MIL-STD 883 | TEST FIG. | TEST CONDITIONS (PINS UNDER TEST D/F = DIP AND FP C = CCP) | LIMITS | | UNIT |
|----------|---|-----------|-------------------------|-----------|---|--------|------|------|
| | | | | | | MIN | MAX | |
| 64 to 71 | Input Voltage High Level (Noise Immunity) | V_{IH2} | - | 4(j) | Gate Under Test: $V_{IN1} = 11Vdc$, $V_{IN2} = V_{IN3} = V_{IN4} = 4Vdc$ ($V_{IN2} = 11Vdc$, $V_{IN1} = V_{IN3} = V_{IN4} = 4Vdc$) ($V_{IN3} = 11Vdc$, $V_{IN1} = V_{IN2} = V_{IN4} = 4Vdc$) ($V_{IN4} = 11Vdc$, $V_{IN1} = V_{IN2} = V_{IN3} = 4Vdc$) Other Gate: $V_{IN} = 15Vdc$ $V_{DD} = 15 Vdc$, $V_{SS} = 0Vdc$ (Pins D/F 1-13) (Pins C 2-19) | - | 1.5 | V |
| 72 | Threshold Voltage N-Channel | V_{THN} | - | 4(k) | A Input at Ground All Other Inputs: $V_{IN} = 5Vdc$ $V_{DD} = 5Vdc$, $I_{SS} = -10\mu A$ (Pin D/F 7) (Pin C 10) | -0.3 | -3.5 | V |
| 73 | Threshold Voltage P-Channel | V_{THP} | - | 4(l) | A Input at Ground All Other Inputs: $V_{IN} = -5Vdc$ $V_{SS} = -5Vdc$, $I_{DD} = 10\mu A$ (Pin D/F 14) (Pin C 20) | 0.3 | 3.5 | V |

NOTES: See Page 23.

**TABLE 3(b) - ELECTRICAL MEASUREMENTS AT LOW TEMPERATURE, -55(+5 -0) °C**

| NO. | CHARACTERISTICS | SYMBOL | TEST METHOD MIL-STD 883 | TEST FIG. | TEST CONDITIONS (PINS UNDER TEST D/F = DIP AND FP C = CCP) | LIMITS | | UNIT |
|----------------|-----------------------------|----------|-------------------------------|-----------|---|--------|------|------|
| | | | | | | MIN | MAX | |
| 1 | Functional Test | - | - | 4(a) | Verify Truth Table without Load. $V_{DD} = 3V_{dc}$, $V_{SS} = 0V_{dc}$ Notes 1 and 2 | - | - | - |
| 2 | Functional Test | - | - | 4(a) | Verify Truth Table without Load. $V_{DD} = 15V_{dc}$, $V_{SS} = 0V_{dc}$ Notes 1 and 2 | - | - | - |
| 3 to 5 | Quiescent Current | I_{DD} | 3005 | 4(b) | $V_{IL} = 0V_{dc}$, $V_{IH} = 15V_{dc}$ $V_{DD} = 15V_{dc}$, $V_{SS} = 0V_{dc}$ Note 3 (Pin D/F 14) (Pin C 20) | - | 100 | nA |
| 6 to 13 | Input Current Low Level | I_{IL} | 3009 | 4(c) | V_{IN} (Under Test) = $0V_{dc}$ V_{IN} (Remaining Inputs) = $15V_{dc}$ $V_{DD} = 15V_{dc}$, $V_{SS} = 0V_{dc}$ (Pins D/F 2-3-4-5-9-10-11- 12) (Pins C 4-5-6-7-14-15-16- 17) | - | -50 | nA |
| 14 to 21 | Input Current High Level | I_{IH} | 3010 | 4(d) | V_{IN} (Under Test) = $15V_{dc}$ V_{IN} (Remaining Inputs) = $0V_{dc}$ $V_{DD} = 15V_{dc}$, $V_{SS} = 0V_{dc}$ (Pins D/F 2-3-4-5-9-10-11- 12) (Pins C 4-5-6-7-14-15-16- 17) | - | 50 | nA |
| 22 to 29 | Output Voltage Low Level | V_{OL} | 3007 | 4(e) | Gate Under Test: $V_{IN1} = 15V_{dc}$, $V_{IN2} = V_{IN3} = V_{IN4} = 0V_{dc}$ ($V_{IN2} = 15V_{dc}$, $V_{IN1} = V_{IN3} = V_{IN4} = 0V_{dc}$) ($V_{IN3} = 15V_{dc}$, $V_{IN1} = V_{IN2} = V_{IN4} = 0V_{dc}$) ($V_{IN4} = 15V_{dc}$, $V_{IN1} = V_{IN2} = V_{IN3} = 0V_{dc}$) $V_{OUT} = \text{Open}$ Other Gate: $V_{IN} = 0V_{dc}$ $V_{DD} = 15V_{dc}$, $V_{SS} = 0V_{dc}$ (Pins D/F 1-13) (Pins C 2-19) | - | 0.05 | V |

NOTES: See Page 23.

**TABLE 3(b) - ELECTRICAL MEASUREMENTS AT LOW TEMPERATURE, -55(+5 -0) °C (CONT'D)**

| NO. | CHARACTERISTICS | SYMBOL | TEST METHOD MIL-STD 883 | TEST FIG. | TEST CONDITIONS (PINS UNDER TEST D/F = DIP AND FP C = CCP) | LIMITS | | UNIT |
|----------------|--------------------------------|------------------|-------------------------------|-----------|--|--------|-----|------|
| | | | | | | MIN | MAX | |
| 30 to 31 | Output Voltage High Level | V _{OH} | 3006 | 4(f) | Gate Under Test: V _{IN} = 0Vdc V _{OUT} = Open Other Gate: V _{IN} = 15Vdc V _{DD} = 15Vdc, V _{SS} = 0Vdc Note 4 (Pins D/F 1-13) (Pins C 2-19) | 14.95 | - | V |
| 32 to 39 | Output Drive Current N-Channel | I _{OL1} | - | 4(g) | Gate Under Test: V _{IN1} = 5Vdc, V _{IN2} = V _{IN3} = V _{IN4} = 0Vdc (V _{IN1} = V _{IN2} = 5Vdc, V _{IN3} = V _{IN4} = 0Vdc) (V _{IN1} = V _{IN2} = V _{IN3} = 5Vdc, V _{IN4} = 0Vdc) (V _{IN1} = V _{IN2} = V _{IN3} = V _{IN4} = 5Vdc) V _{OUT} = 0.4Vdc Other Gate: V _{IN} = 0Vdc V _{DD} = 5Vdc, V _{SS} = 0Vdc Note 4 (Pins D/F 1-13) (Pins C 2-19) | 0.64 | - | mA |
| 40 to 47 | Output Drive Current N-Channel | I _{OL2} | - | 4(g) | Gate Under Test: V _{IN1} = 15Vdc, V _{IN2} = V _{IN3} = V _{IN4} = 0Vdc (V _{IN1} = V _{IN2} = 15Vdc, V _{IN3} = V _{IN4} = 0Vdc) (V _{IN1} = V _{IN2} = V _{IN3} = 15Vdc, V _{IN4} = 0Vdc) (V _{IN1} = V _{IN2} = V _{IN3} = V _{IN4} = 15Vdc) V _{OUT} = 1.5Vdc Other Gate: V _{IN} = 0Vdc V _{DD} = 15Vdc, V _{SS} = 0Vdc Note 4 (Pins D/F 1-13) (Pins C 2-19) | 4.2 | - | mA |

NOTES: See Page 23.



TABLE 3(b) - ELECTRICAL MEASUREMENTS AT LOW TEMPERATURE, -55(+5 -0) °C (CONT'D)

| NO. | CHARACTERISTICS | SYMBOL | TEST METHOD MIL-STD 883 | TEST FIG. | TEST CONDITIONS (PINS UNDER TEST D/F = DIP AND FP C = CCP) | LIMITS | | UNIT |
|----------|---|-----------|-------------------------|-----------|--|--------|-----|------|
| | | | | | | MIN | MAX | |
| 48 to 49 | Output Drive Current P-Channel | I_{OH1} | - | 4(h) | Gate Under Test: All Inputs: $V_{IL} = 0Vdc$ $V_{OUT} = 4.6Vdc$ Other Gate: $V_{IN} = 5Vdc$ $V_{DD} = 5Vdc, V_{SS} = 0Vdc$ Note 4 (Pins D/F 1-13) (Pins C 2-19) | -0.64 | - | mA |
| 50 to 51 | Output Drive Current P-Channel | I_{OH2} | - | 4(h) | Gate Under Test: All Inputs: $V_{IL} = 0Vdc$ $V_{OUT} = 13.5Vdc$ Other Gate: $V_{IN} = 15Vdc$ $V_{DD} = 15Vdc, V_{SS} = 0Vdc$ Note 4 (Pins D/F1-13) (Pins C 2-19) | -4.2 | - | mA |
| 52 to 53 | Input Voltage Low Level (Noise Immunity) | V_{IL1} | - | 4(i) | Gate Under Test: All Inputs: $V_{IN} = 1.5Vdc$ Other Gate: $V_{IN} = 0Vdc$ $V_{DD} = 5Vdc, V_{SS} = 0Vdc$ (Pins D/F 1-13) (Pins C 2-19) | 4.5 | - | V |
| 54 to 55 | Input Voltage Low Level (Noise Immunity) | V_{IL2} | - | 4(i) | Gate Under Test: All Inputs: $V_{IN} = 4Vdc$ Other Gate: $V_{IN} = 0Vdc$ $V_{DD} = 15Vdc, V_{SS} = 0Vdc$ (Pins D/F1-13) (Pins C 2-19) | 13.5 | - | V |
| 56 to 63 | Input Voltage High Level (Noise Immunity) | V_{IH1} | - | 4(j) | Gate Under Test: $V_{IN1} = 3.5Vdc,$ $V_{IN2} = V_{IN3} = V_{IN4} = 1.5Vdc$ ($V_{IN2} = 3.5Vdc,$ $V_{IN1} = V_{IN3} = V_{IN4} = 1.5Vdc$) ($V_{IN3} = 3.5Vdc,$ $V_{IN1} = V_{IN2} = V_{IN4} = 1.5Vdc$) ($V_{IN4} = 3.5Vdc,$ $V_{IN1} = V_{IN2} = V_{IN3} = 1.5Vdc$) Other Gate: $V_{IN} = 5Vdc$ $V_{DD} = 5 Vdc, V_{SS} = 0Vdc$ (Pins D/F 1-13) (Pins C 2-19) | - | 0.5 | V |

NOTES: See Page 23.



TABLE 3(b) - ELECTRICAL MEASUREMENTS AT LOW TEMPERATURE, -55(+ 5 -0) °C (CONT'D)

| NO. | CHARACTERISTICS | SYMBOL | TEST METHOD MIL-STD 883 | TEST FIG. | TEST CONDITIONS (PINS UNDER TEST D/F = DIP AND FP C = CCP) | LIMITS | | UNIT |
|----------------|---|-----------|-------------------------------|-----------|---|--------|------|------|
| | | | | | | MIN | MAX | |
| 64 to 71 | Input Voltage High Level (Noise Immunity) | V_{IH2} | - | 4(j) | Gate Under Test: $V_{IN1} = 11Vdc$, $V_{IN2} = V_{IN3} = V_{IN4} = 4Vdc$ ($V_{IN2} = 11Vdc$, $V_{IN1} = V_{IN3} = V_{IN4} = 4Vdc$) ($V_{IN3} = 11Vdc$, $V_{IN1} = V_{IN2} = V_{IN4} = 4Vdc$) ($V_{IN4} = 11Vdc$, $V_{IN1} = V_{IN2} = V_{IN3} = 4Vdc$) Other Gate: $V_{IN} = 15Vdc$ $V_{DD} = 15 Vdc$, $V_{SS} = 0Vdc$ (Pins D/F 1-13) (Pins C 2-19) | - | 1.5 | V |
| 72 | Threshold Voltage N-Channel | V_{THN} | - | 4(k) | A Input at Ground All Other Inputs: $V_{IN} = 5Vdc$ $V_{DD} = 5Vdc$, $I_{SS} = -10\mu A$ (Pin D/F 7) (Pin C 10) | -0.7 | -3.5 | V |
| 73 | Threshold Voltage P-Channel | V_{THP} | - | 4(l) | A Input at Ground All Other Inputs: $V_{IN} = -5Vdc$ $V_{SS} = -5Vdc$, $I_{DD} = 10\mu A$ (Pin D/F 14) (Pin C 20) | 0.7 | 3.5 | V |

NOTES: See Page 23.



FIGURE 4 - CIRCUITS FOR ELECTRICAL MEASUREMENTS

FIGURE 4(a) - FUNCTIONAL TEST TABLE

| PATTERN NO. | PIN NUMBERS | | | | | | | | | | | | D.C. SUPPLY | |
|-------------|-------------|---|---|---|---|---|---|---|----|----|----|----|-------------|-----------------|
| | 1 | 2 | 3 | 4 | 5 | 6 | 8 | 9 | 10 | 11 | 12 | 13 | 7 | 14 |
| 1 | 1 | 0 | 0 | 0 | 0 | 0 | 0 | 0 | 0 | 0 | 0 | 1 | 0 | V _{DD} |
| 2 | 1 | 0 | 0 | 0 | 0 | 0 | 0 | 1 | 1 | 1 | 1 | 0 | ↓ | ↓ |
| 3 | 0 | 1 | 0 | 0 | 0 | 0 | 0 | 0 | 0 | 0 | 0 | 1 | ↓ | ↓ |
| 4 | 1 | 0 | 0 | 0 | 0 | 0 | 0 | 1 | 0 | 0 | 0 | 0 | ↓ | ↓ |
| 5 | 0 | 0 | 1 | 0 | 0 | 0 | 0 | 0 | 0 | 0 | 0 | 1 | ↓ | ↓ |
| 6 | 1 | 0 | 0 | 0 | 0 | 0 | 0 | 0 | 1 | 0 | 0 | 0 | ↓ | ↓ |
| 7 | 0 | 0 | 0 | 1 | 0 | 0 | 0 | 0 | 0 | 0 | 0 | 1 | ↓ | ↓ |
| 8 | 1 | 0 | 0 | 0 | 0 | 0 | 0 | 0 | 0 | 1 | 0 | 0 | ↓ | ↓ |
| 9 | 0 | 0 | 0 | 0 | 1 | 0 | 0 | 0 | 0 | 0 | 0 | 1 | ↓ | ↓ |
| 10 | 1 | 0 | 0 | 0 | 0 | 0 | 0 | 0 | 0 | 0 | 1 | 0 | ↓ | ↓ |
| 11 | 0 | 1 | 1 | 1 | 1 | 0 | 0 | 0 | 0 | 0 | 0 | 1 | ↓ | ↓ |

NOTES

- Figure 4(a) illustrates one series of test patterns. Any other pattern series shall be agreed with the Qualifying Space Agency and shall be included as an Appendix.
- Logic Level Definitions: 1 = V_{IH} = V_{DD}, 0 = V_{IL} = V_{SS}.

FIGURE 4(b) - QUIESCENT CURRENT TEST TABLE

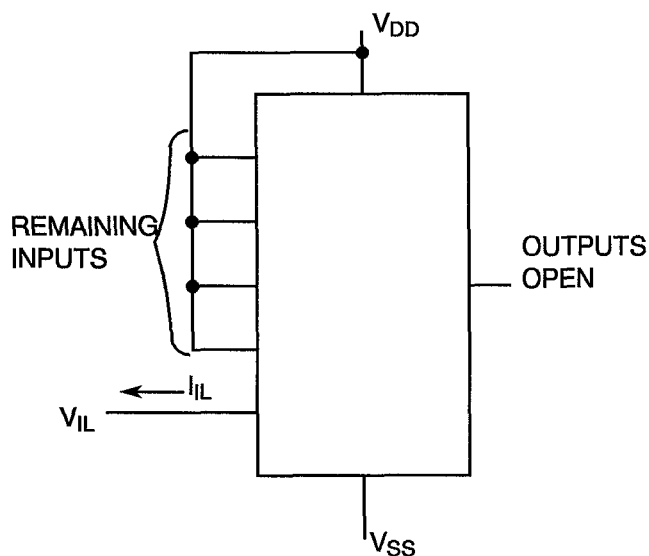
| PATTERN NO. | PIN NUMBERS | | | | | | | | | | D.C. SUPPLY | |
|-------------|-------------|---|---|---|---|----|----|----|---------|----|-------------|-----------------|
| | INPUTS | | | | | | | | OUTPUTS | | 7 | 14 |
| | 2 | 3 | 4 | 5 | 9 | 10 | 11 | 12 | 1 | 13 | 0 | V _{DD} |
| 1 | 1 | 0 | 0 | 1 | 0 | 1 | 0 | 1 | X | X | ↓ | ↓ |
| 2 | 0 | 1 | 1 | 0 | 0 | 0 | 1 | 0 | X | X | ↓ | ↓ |
| 3 | 0 | 0 | 0 | 0 | 1 | 0 | 0 | 1 | X | X | ↓ | ↓ |

NOTES

- Figure 4(b) illustrates one series of test patterns. Any other pattern series must be agreed with the Qualifying Space Agency and shall be included as an Appendix.
- Logic Level Definitions: 1 = V_{IH} = V_{DD}, 0 = V_{IL} = V_{SS}, X = Don't Care.

FIGURE 4 - CIRCUITS FOR ELECTRICAL MEASUREMENTS (CONTINUED)

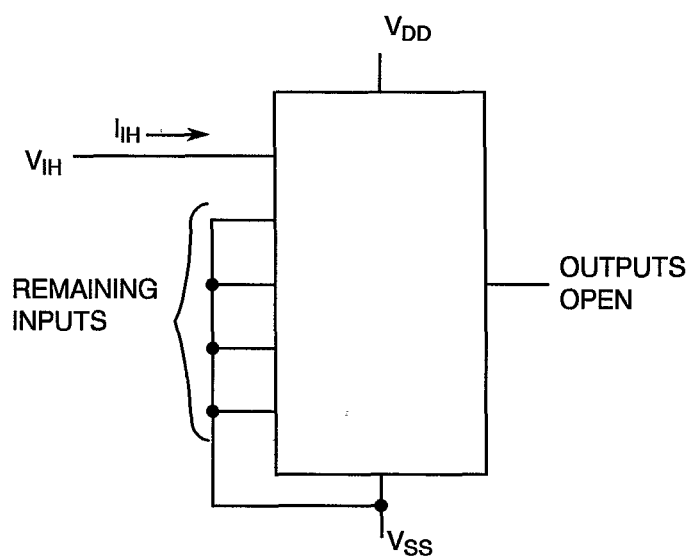
FIGURE 4(c) - LOW LEVEL INPUT CURRENT



NOTES

1. Each input to be tested separately.

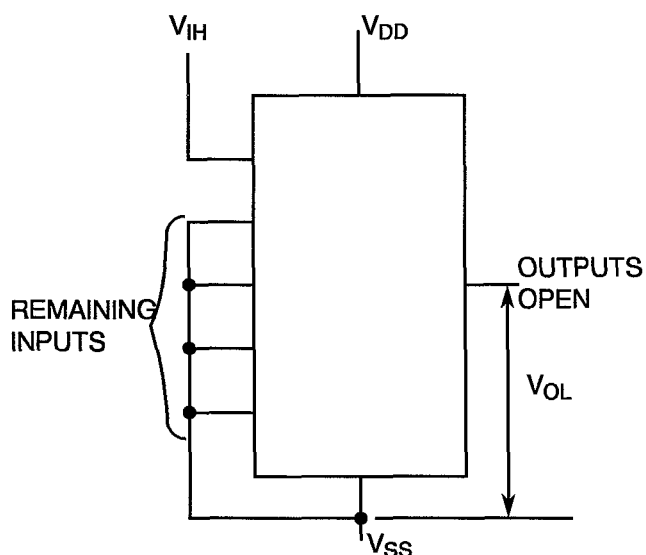
FIGURE 4(d) - HIGH LEVEL INPUT CURRENT



NOTES

1. Each input to be tested separately.

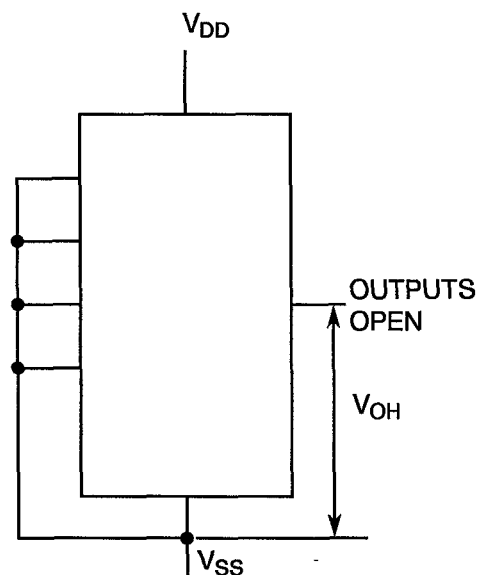
FIGURE 4(e) - LOW LEVEL OUTPUT VOLTAGE



NOTES

1. Each output to be tested separately.

FIGURE 4(f) - HIGH LEVEL OUTPUT VOLTAGE



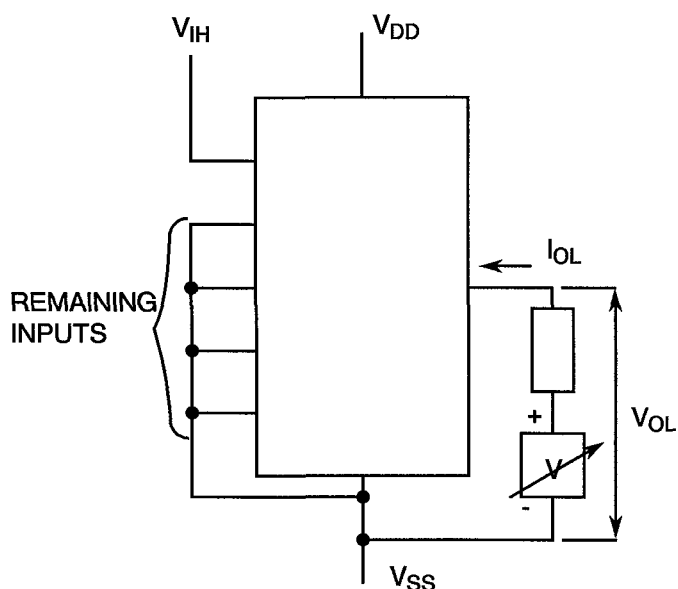
NOTES

1. Each output to be tested separately.



FIGURE 4 - CIRCUITS FOR ELECTRICAL MEASUREMENTS (CONTINUED)

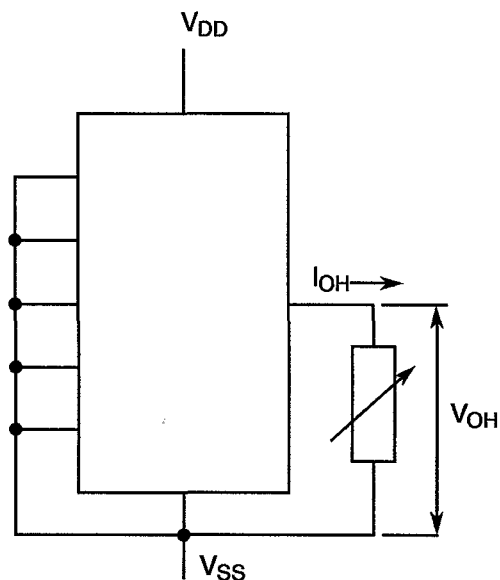
FIGURE 4(g) - LOW LEVEL OUTPUT CURRENT



NOTES

- 1. Each output to be tested separately.

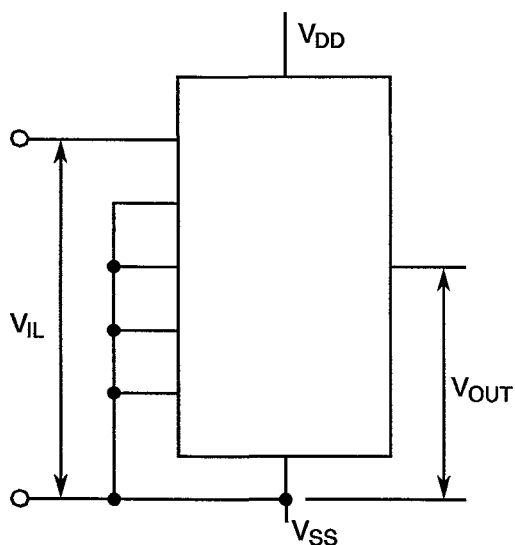
FIGURE 4(h) - HIGH LEVEL OUTPUT CURRENT



NOTES

- 1. Each output to be tested separately.

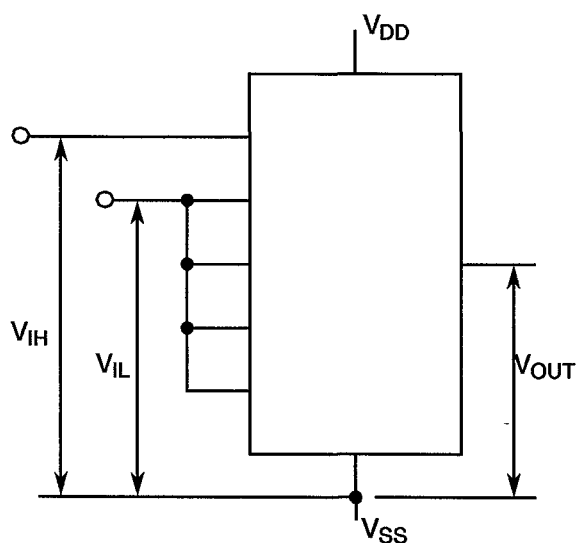
FIGURE 4(i) - LOW LEVEL INPUT VOLTAGE



NOTES

- 1. Each output to be tested separately.

FIGURE 4(j) - HIGH LEVEL INPUT VOLTAGE



NOTES

- 1. Each output to be tested separately.



FIGURE 4 - CIRCUITS FOR ELECTRICAL MEASUREMENTS (CONTINUED)

FIGURE 4(k) - THRESHOLD VOLTAGE N-CHANNEL

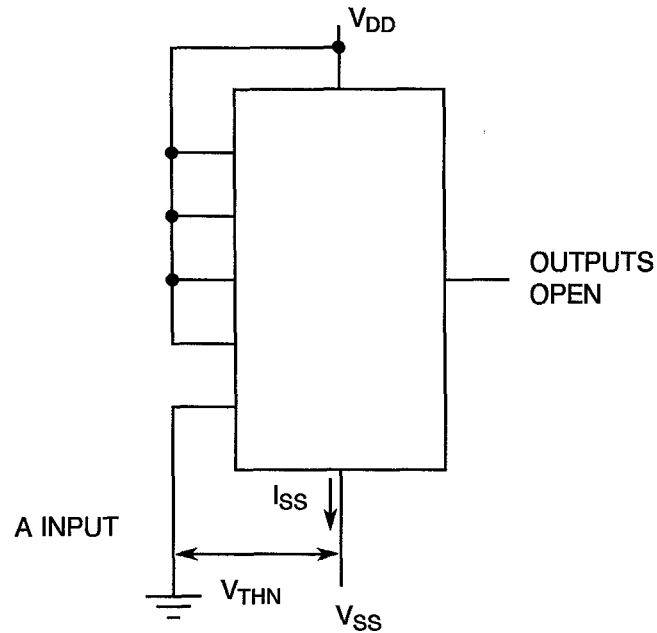


FIGURE 4(l) - THRESHOLD VOLTAGE P-CHANNEL

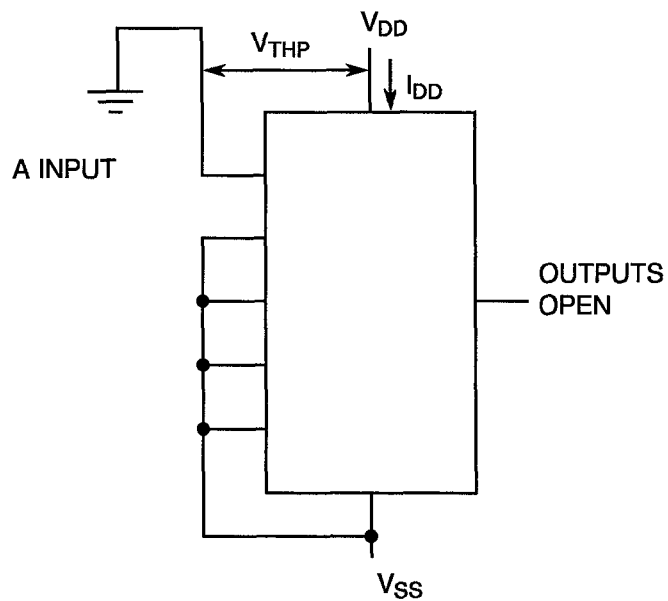
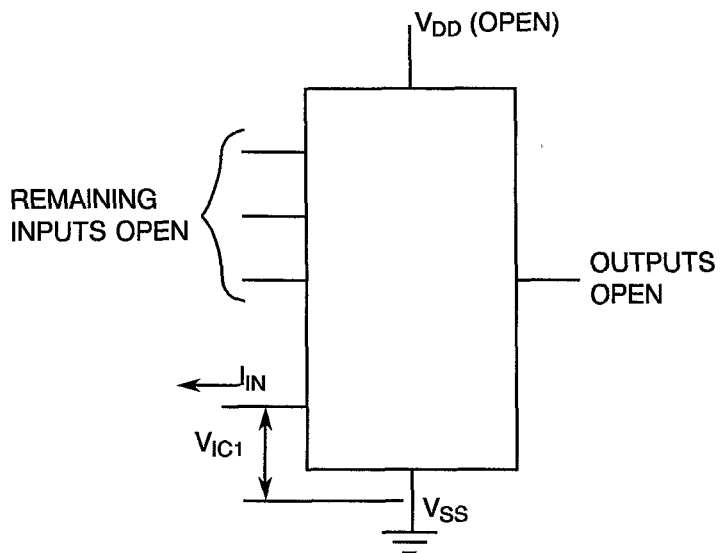


FIGURE 4 - CIRCUITS FOR ELECTRICAL MEASUREMENTS (CONTINUED)

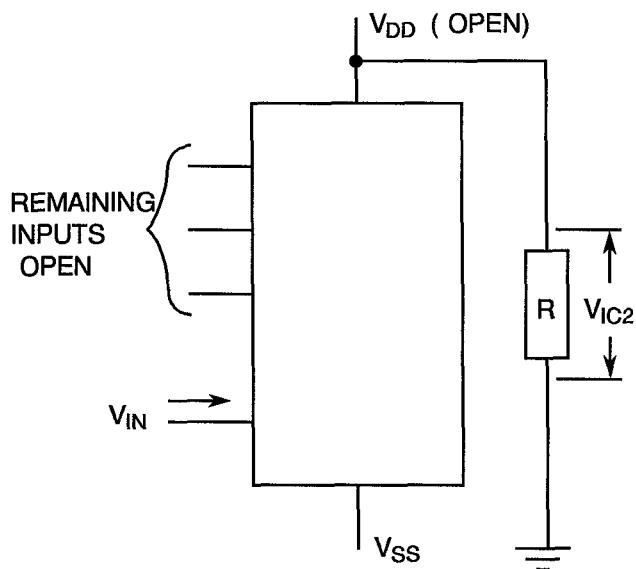
FIGURE 4(m) - INPUT CLAMP VOLTAGE (V_{SS})



NOTES

1. Each input to be tested separately.

FIGURE 4(n) - INPUT CLAMP VOLTAGE (V_{DD})



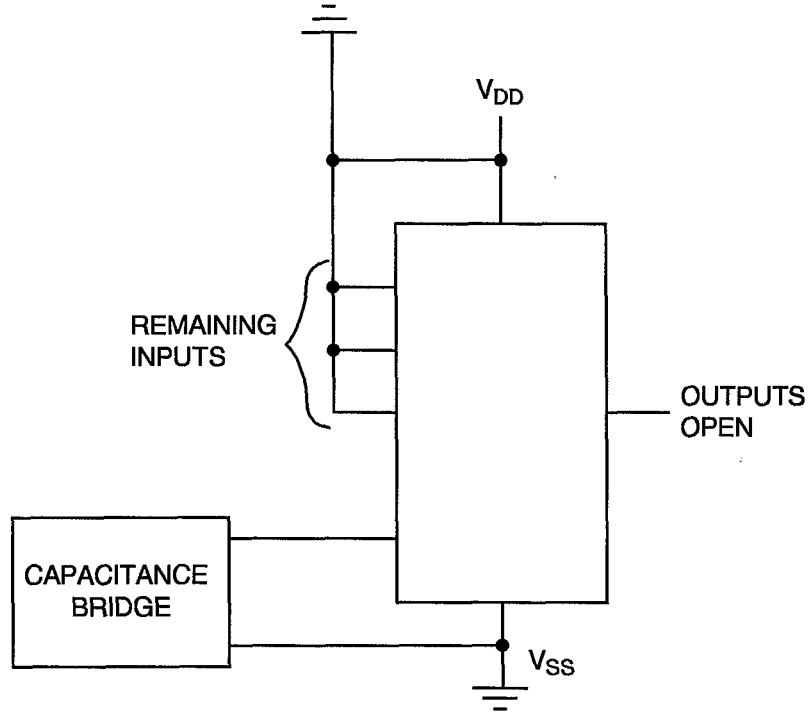
NOTES

1. Each input to be tested separately.



FIGURE 4 - CIRCUITS FOR ELECTRICAL MEASUREMENTS (CONTINUED)

FIGURE 4(o) - INPUT CAPACITANCE



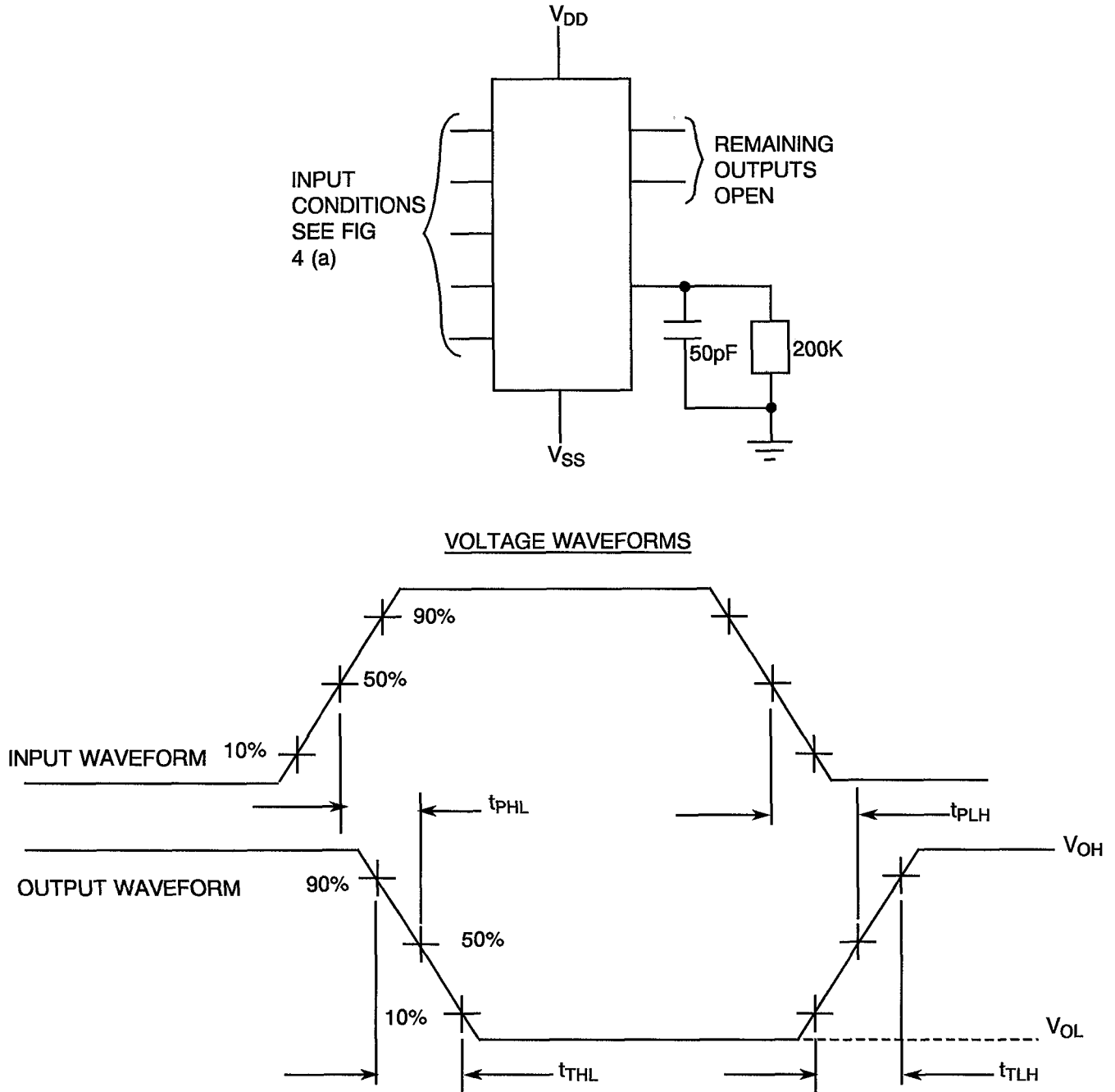
NOTES

1. Each input to be tested separately.
2. $f = 100\text{KHz}$ to 1MHz .



FIGURE 4 - CIRCUITS FOR ELECTRICAL MEASUREMENTS (CONTINUED)

FIGURE 4(p) - PROPAGATION DELAY AND TRANSITION TIME



NOTES 1. Pulse Generator - $V_P = 0$ to V_{DD} , t_r and $t_f \leq 15ns$, $f = 500KHz$.

**TABLE 4 - PARAMETER DRIFT VALUES**

| NO. | CHARACTERISTICS | SYMBOL | SPEC. AND/OR TEST METHOD | TEST CONDITIONS | CHANGE LIMITS (Δ) | UNIT |
|----------|--------------------------------|-----------|--------------------------|-----------------|----------------------------|------|
| 3 to 5 | Quiescent Current | I_{DD} | As per Table 2 | As per Table 2 | ± 50 | nA |
| 32 to 39 | Output Drive Current N-Channel | I_{OL1} | As per Table 2 | As per Table 2 | ± 15 (1) | % |
| 48 to 49 | Output Drive Current P-Channel | I_{OH1} | As per Table 2 | As per Table 2 | ± 15 (1) | % |
| 72 | Threshold Voltage N-Channel | V_{THN} | As per Table 2 | As per Table 2 | ± 0.3 | V |
| 73 | Threshold Voltage P-Channel | V_{THP} | As per Table 2 | As per Table 2 | ± 0.3 | V |

NOTES 1. Percentage of limit value if voltage is the measurement function.

**TABLE 5(a) - CONDITIONS FOR BURN-IN HIGH TEMPERATURE REVERSE BIAS, N-CHANNELS**

| NO. | CHARACTERISTICS | SYMBOL | CONDITION | UNIT |
|-----|--|-----------|--------------|------|
| 1 | Ambient Temperature | T_{amb} | + 125(+ 0-5) | °C |
| 2 | Outputs - (Pins D/F 1-13) (Pins C 2-19) | V_{OUT} | Open | - |
| 3 | Inputs - (Pins D/F 9-10-11-12) (Pins C 14-15-16-17) | V_{IN} | V_{DD} | Vdc |
| 4 | Inputs - (Pins D/F 2-3-4-5) (Pins C 4-5-6-7) | V_{IN} | Ground | Vdc |
| 5 | Positive Supply Voltage (Pin D/F 14) (Pin C 20) | V_{DD} | 15 | Vdc |
| 6 | Negative Supply Voltage (Pin D/F 7) (Pin C 10) | V_{SS} | Ground | Vdc |

NOTES 1. Input Load = Protection Resistor = 2K Ω minimum to 47K Ω maximum.

TABLE 5(b) - CONDITIONS FOR BURN-IN HIGH TEMPERATURE REVERSE BIAS, P-CHANNELS

| NO. | CHARACTERISTICS | SYMBOL | CONDITION | UNIT |
|-----|--|-----------|--------------|------|
| 1 | Ambient Temperature | T_{amb} | + 125(+ 0-5) | °C |
| 2 | Outputs - (Pins D/F 1-13) (Pins C 2-19) | V_{OUT} | Open | - |
| 3 | Inputs - (Pins D/F 9-10-11-12) (Pins C 14-15-16-17) | V_{IN} | Ground | Vdc |
| 4 | Inputs - (Pins D/F 2-3-4-5) (Pins C 4-5-6-7) | V_{IN} | V_{DD} | Vdc |
| 5 | Positive Supply Voltage (Pin D/F 14) (Pin C 20) | V_{DD} | 15 | Vdc |
| 6 | Negative Supply Voltage (Pin D/F 7) (Pin C 10) | V_{SS} | Ground | Vdc |

NOTES 1. Input Load = Protection Resistor = 2K Ω minimum to 47K Ω maximum.

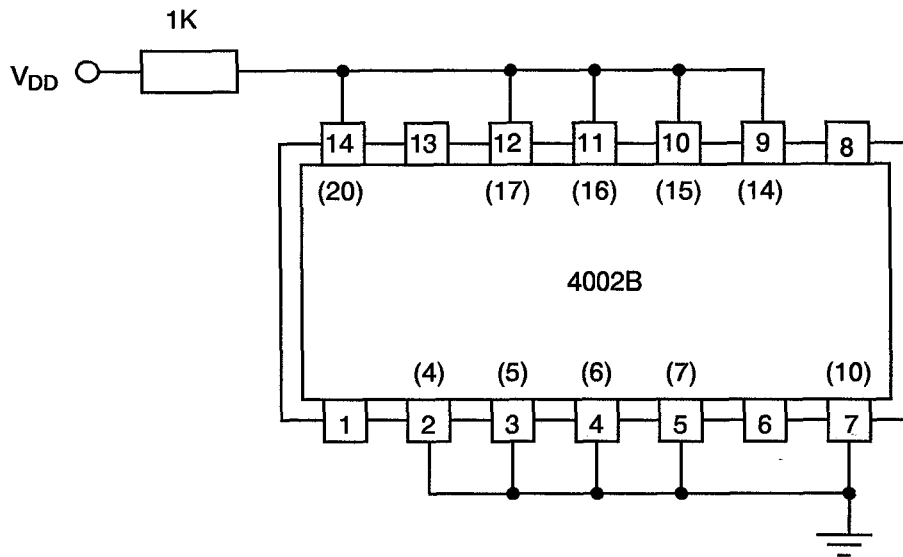
**TABLE 5(c) - CONDITIONS FOR BURN-IN DYNAMIC**

| NO. | CHARACTERISTICS | SYMBOL | CONDITIONS | UNIT |
|-----|--|-----------|---------------------------------------|------|
| 1 | Ambient Temperature | T_{amb} | + 125(+ 0-5) | °C |
| 2 | Outputs - (Pins D/F 1-13) (Pins C 2-19) | V_{OUT} | $V_{DD}/2$ | Vdc |
| 3 | Inputs - (Pins D/F 2-3-4-5-9-10-11-12) (Pins C 4-5-6-7-14-15-16-17) | V_{IN} | V_{GEN} | Vdc |
| 4 | Pulse Generator | V_{GEN} | 0V to V_{DD} | Vac |
| 5 | Pulse Frequency Square Wave | f | $50K \leq f < 1M$, 50% Duty Cycle | Hz |
| 6 | Positive Supply Voltage (Pin D/F 14) (Pin C 20) | V_{DD} | 15 | Vdc |
| 7 | Negative Supply Voltage (Pin D/F 7) (Pin C 10) | V_{SS} | Ground | Vdc |

NOTES 1. Input Load = Output Load = 2K Ω minimum to 47K Ω maximum.

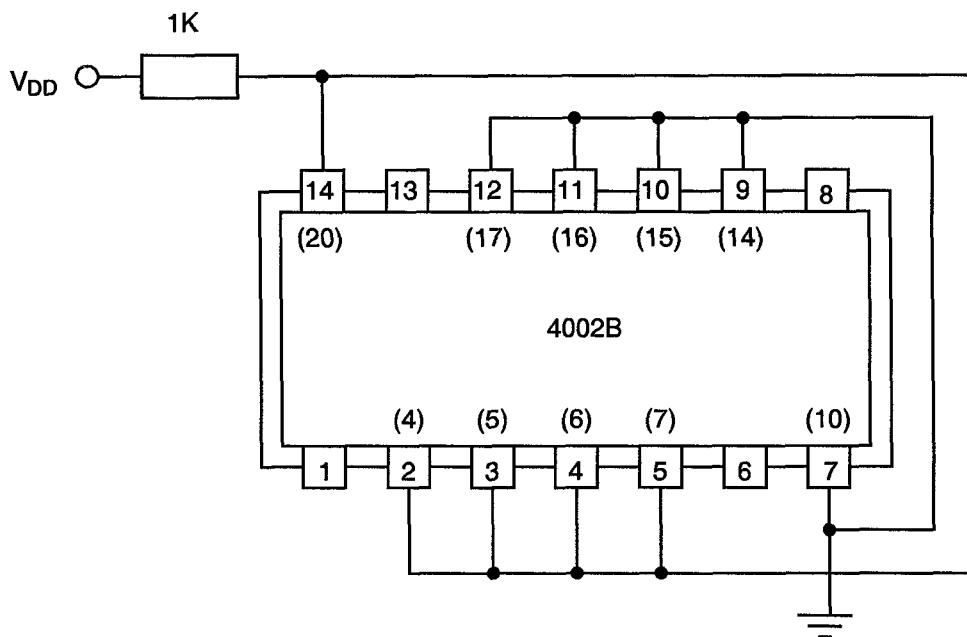


FIGURE 5(a) - ELECTRICAL CIRCUIT FOR BURN-IN HIGH TEMPERATURE REVERSE BIAS, N-CHANNELS



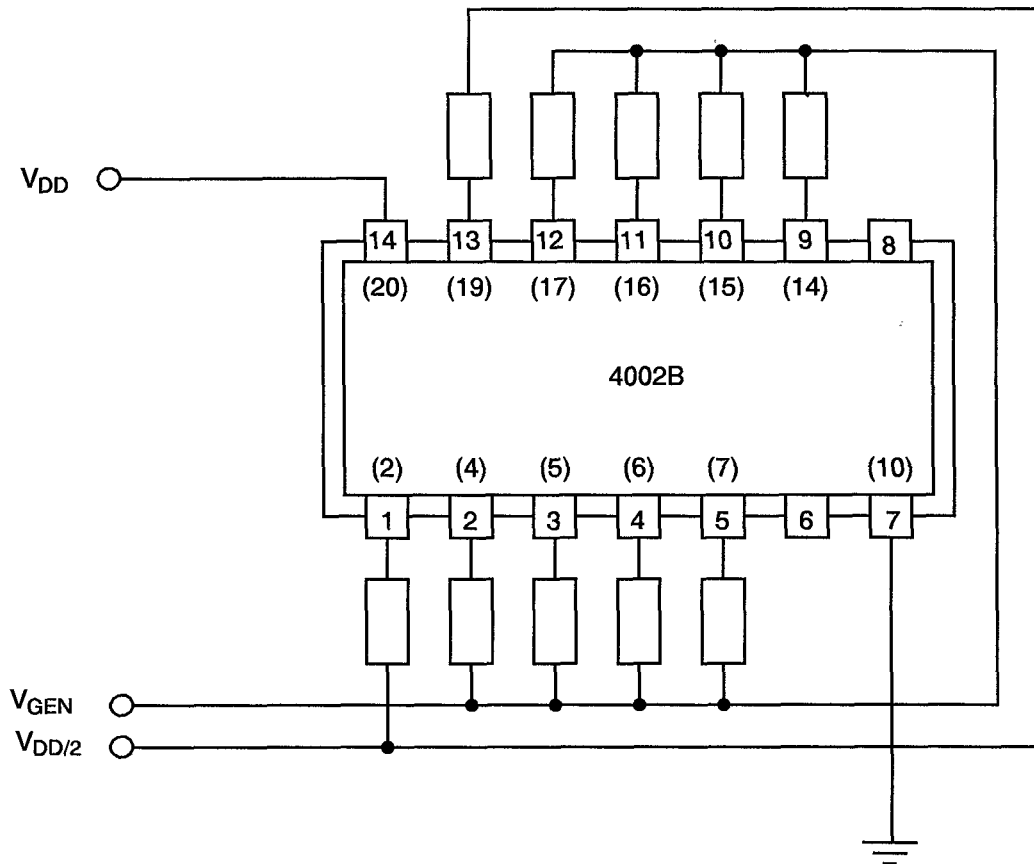
NOTES 1. Pin numbers in parenthesis are for the Chip Carrier Package.

FIGURE 5(b) - ELECTRICAL CIRCUIT FOR BURN-IN HIGH TEMPERATURE REVERSE BIAS, P-CHANNELS





NOTES 1. Pin numbers in parenthesis are for the Chip Carrier Package.

FIGURE 5(c) - ELECTRICAL CIRCUIT FOR BURN-IN DYNAMIC



NOTES 1. Pin numbers in parenthesis are for the Chip Carrier Package.

| | | | | |
|--|--|--|--|----------------------------|
|  |  | <p style="text-align: center;">ESA/SCC Detail Specification No. 9201/042</p> | | <p>PAGE 44 ISSUE 4</p> |
|--|--|--|--|----------------------------|

4.8 ENVIRONMENTAL AND ENDURANCE TESTS (CHARTS IV AND V OF ESA/SCC GENERIC SPECIFICATION NO. 9000)

4.8.1 Electrical Measurements on Completion of Environmental Tests

The parameters to be measured on completion of environmental tests are scheduled in Table 6. Unless otherwise stated, the measurements shall be performed at $T_{amb} = +22 \pm 3$ °C.

4.8.2 Electrical Measurements at Intermediate Points during Endurance Tests

The parameters to be measured at intermediate points during endurance tests are as scheduled in Table 6 of this specification.

4.8.3 Electrical Measurements on Completion of Endurance Tests

The parameters to be measured on completion of endurance testing are as scheduled in Table 6 of this specification. Unless otherwise stated, the measurements shall be performed at $T_{amb} = +22 \pm 3$ °C.

4.8.4 Conditions for Operating Life Test

The requirements for operating life testing are specified in Section 9 of ESA/SCC Generic Specification No. 9000. The conditions for operating life testing shall be as specified in Table 5(c) of this specification.

4.8.5 Electrical Circuits for Operating Life Tests

Circuits for use in performing the operating life test are shown in Figure 5(c) of this specification.

4.8.6 Conditions for High Temperature Storage Test

The requirements for the high temperature storage test are specified in ESA/SCC Generic Specification No. 9000. The temperature to be applied shall be the maximum storage temperature specified in Table 1(b) of this specification.

**TABLE 6 - ELECTRICAL MEASUREMENTS ON COMPLETION OF ENVIRONMENTAL TESTS AND AT INTERMEDIATE POINTS AND ON COMPLETION OF ENDURANCE TESTING**

| NO. | CHARACTERISTICS | SYMBOL | SPEC. AND/OR TEST METHOD | TEST CONDITIONS | CHANGE LIMITS(Δ) | | | UNIT |
|----------|---|-----------|--------------------------|-----------------|---------------------------|-------|------|------|
| | | | | | | MIN | MAX | |
| 1 | Functional Test | - | As per Table 2 | As per Table 2 | - | - | - | - |
| 3 to 5 | Quiescent Current | I_{DD} | As per Table 2 | As per Table 2 | ± 50 | - | - | nA |
| 6 to 13 | Input Current Low Level | I_{IL} | As per Table 2 | As per Table 2 | - | - | -50 | nA |
| 14 to 21 | Input Current High Level | I_{IH} | As per Table 2 | As per Table 2 | - | - | 50 | nA |
| 22 to 29 | Output Voltage Low Level | V_{OL} | As per Table 2 | As per Table 2 | - | - | 0.05 | V |
| 30 to 31 | Output Voltage High Level | V_{OH} | As per Table 2 | As per Table 2 | - | 14.95 | - | V |
| 32 to 39 | Output Drive Current N-Channel | I_{OL1} | As per Table 2 | As per Table 2 | ± 15 (1) | - | - | % |
| 40 to 47 | Output Drive Current N-Channel | I_{OL2} | As per Table 2 | As per Table 2 | ± 15 (1) | - | - | % |
| 48 to 49 | Output Drive Current P-Channel | I_{OH1} | As per Table 2 | As per Table 2 | ± 15 (1) | - | - | % |
| 50 to 51 | Output Drive Current P-Channel | I_{OH2} | As per Table 2 | As per Table 2 | ± 15 (1) | - | - | % |
| 52 to 53 | Input Voltage Low Level (Noise Immunity) | V_{IL1} | As per Table 2 | As per Table 2 | - | 4.5 | - | V |
| 56 to 63 | Input Voltage High Level (Noise Immunity) | V_{IH1} | As per Table 2 | As per Table 2 | - | - | 0.5 | V |
| 72 | Threshold Voltage N-Channel | V_{THN} | As per Table 2 | As per Table 2 | ± 0.3 | - | - | V |
| 73 | Threshold Voltage P-Channel | V_{THP} | As per Table 2 | As per Table 2 | ± 0.3 | - | - | V |

NOTES 1. Percentage of limit value if voltage is the measurement function.

**SCC**ESA/SCC Detail Specification
No. 9201/042

PAGE 46

ISSUE 4

APPENDIX 'A'Page 1 of 1**AGREED DEVIATIONS FOR STMICROELECTRONICS (F)**

| ITEMS AFFECTED | DESCRIPTION OF DEVIATION |
|----------------|--|
| Para. 4.2.3 | Para. 9.23, High Temperature Reverse Bias Burn-in: The temperature limits of MIL-STD-883, Para. 4.5.8(c) may be used. Para. 9.24, Power Burn-in: The temperature limits of MIL-STD-883, Para. 4.5.8(c) may be used. |
| Para. 4.2.4 | Para. 9.21.1, Operating Life during Qualification Testing: The temperature limits of MIL-STD-883, Para. 4.5.8(c) may be used. |
| Para. 4.2.5 | Para. 9.21.2, Operating Life during Lot Acceptance Testing: The temperature limits of MIL-STD-883, Para. 4.5.8(c) may be used. |