



europaean space agency
agence spatiale européenne

Pages 1 to 47

**INTEGRATED CIRCUITS, SILICON MONOLITHIC,
CMOS DUAL 4-BIT LATCH,
WITH 3-STATE OUTPUTS,
BASED ON TYPE 4508B**

ESA/SCC Detail Specification No. 9202/063



**space components
coordination group**

Issue/Rev.	Date	Approved by	
		SCCG Chairman	ESA Director General or his Deputy
Issue 2	May 1992		
Revision 'A'	October 1994		
Revision 'B'	April 2001		

**DOCUMENTATION CHANGE NOTICE**

Rev. Letter	Rev. Date	Reference	CHANGE Item	Approved DCR No.
		This Issue supersedes Issue 1 and incorporates all modifications defined in Revision 'A' to Issue 1 and the following DCR's:-		
		Cover Page		None
		DCN		None
		Para. 1.10	: Last sentence rewritten to include ESD Class and Minimum Critical Path Failure Voltage	23385
		Table 1(a)	: Table amended	22398
			: Lead Material and/or Finish amended	23465
		Table 1(b)	: No. 9, package soldering temperatures changed	22314
			: Notes - Note 6 added	22314
		Figure 2(a)	: Table corrected	23247/ 23270
		Figure 2(b)	: "CKT A" deleted from Title	22398
		Figure 2(c)	: Figure deleted in toto	22398
		Figure 2(d)	: Title amended to "2(c)"	22398
			: Table corrected	23247
		Notes to Figures	: In Title and Note 1, 2(d) amended to "2(c)"	22398
		Figure 3(a)	: In CCP outline, Pins 19 and 20 amended	23517
		Figure 3(b)	: In Q Output column, "0" corrected to "L"	23517
			: Note deleted and new Note added	23517
		Figure 3(c)i	: From Pin 2, upper "ST" corrected to "ST"	23517
			: From Pin 3, upper "Output Disable" corrected to "Output Disable"	23517
		Figure 3(c), (d), (e)	: Circuit A heading and Circuit B heading and drawing deleted	22398
		Para. 3	: New abbreviations added	23517
		Para. 4.2.2	: Deviation deleted, "None." added	22360/ 21048
		Para. 4.2.4	: Deviation deleted, "None." added	22919
		Para. 4.2.5	: Deviation deleted, "None." added	22919
		Para. 4.4.2	: Material Type and Finishes amended	23465
		Para. 4.5.2	: Third sentence amended to read "...2(c)."	22398
		Tables 2, 3(a), (b), 4, 6	: Nos. 84 to 91, 92 to 99, Characteristics corrected	23517
		Tables 2, 3(a), (b)	: Where applicable, in Conditions, format corrected	23517
		Table 2	: Nos. 104 to 117, Limits column amended	22398
			: Nos. 118 to 131, "CKT A" deleted from first measurement and "CKT B" entry deleted in toto	22398
			: Nos. 146 to 151, Characteristics amended	23517
			: , Limits amended	22905
			: Nos. 152 to 155, Characteristics corrected	23517
			: Nos. 156 to 157, Limits amended	22905
		Table 3(a)	: No. 2, in Conditions, "and 2" added to Note reference	23517
		Figure 4(a), (b)	: Note 2 corrected	23517
		Figure 4(c)	: "Remaining Inputs" disconnected from V _{SS} and connected to "V _{DD} "	23517
		Figures 4(e), (f)	: In drawing, "Outputs Open" added	23517
		Figure 4(h)	: Title corrected	23517
			: In drawing, after "Remaining", "Inputs" added	23517
		Figure 4(i)	: Title corrected	23517



DOCUMENTATION CHANGE NOTICE

Rev. Letter	Rev. Date	Reference	CHANGE Item	Approved DCR No.
		Figure 4(m), (o)	: Circuit A heading and Circuit B heading and drawing deleted	22398
		Figure 4(o)	: Pin numbers deleted from Waveforms	23517
		Figure 4(p)	: Title corrected	23517
			: Output and Voltage Waveforms corrected	23517
		Table 4	: Nos. 3 to 7, Unit corrected	23517
			: Nos. 52 to 59, Characteristics corrected	23517
			: Nos. 68 to 75, Characteristics corrected	23517
		Tables 5(a), (b)	: Titles amended	23162
		Table 5(c)	: New Nos. 5 and 6 added and all subsequent tests renumbered	23517
			: New No. 8, Symbol amended	23517
			: New No. 9, Symbol amended	23517
		Figures 5(a), (b)	: Titles amended	23162
		Figure 5(a)	: In drawing "4058" corrected to "4508"	23517
		Figures 5(a), (b), (c)	: "R" deleted from drawings	23517
		Figure 5(c)	: In drawing, Oscillator Blocks replaced by Symbols	23517
		Paras. 4.8.4 and 4.8.5:	Reference to Table and Figure amended to "5(c)"	23517
'A'	Oct. '94	P1. Cover Page		None
		P2A. DCN		None
		P6. Table 1(a)	: Lead Material and/or Finish amended	221049
		P15. Para. 4.3.2	: Weights amended	23539
		Para. 4.4.2	: Lead Finish, Types amended	221049
		P27. Table 3(a)	: Nos. 102 and 103. Limits amended	23548
		P31. Table 3(b)	: Nos. 102 and 103. Max. Limits amended	23548
'B'	Apr. '01	P1. Cover Page	: Page count increased by 1	221602
		P2A. DCN		None
		P4. T of C	: Appendices entry amended	221602
		P5. Para. 1.3	: New sentence added	221602
		P6. Table 1(a)	: Variants 08 and 09 added	221562
		Table 1(b)	: No. 8, Maximum temperature amended	221602
		P9. Figure 2(c)	: In the drawing, Pin No. 28 location corrected	221550
		P10. Notes to Figures	: Title amended	221562
			: Note 1 rewritten	221562
		P10A. Figure 2(d)	: New page added	221562
		P11. Figure 3(a)	: Left-hand drawing Title amended	221562
			: "SO" added to comparison Titles	221562
		P15. Para. 4.3.2	: SO package added to the text	221562
		Para. 4.4.2	: SO package added to the text	221562
		Para. 4.5.2	: SO package added to the text	221562
		P44. Para. 4.8.6	: Last sentence deleted, new text added	221602
		P47. Appendix 'A'	: Appendix added	221602

**TABLE OF CONTENTS**

	<u>Page</u>
1. <u>GENERAL</u>	5
1.1 Scope	5
1.2 Component Type Variants	5
1.3 Maximum Ratings	5
1.4 Parameter Derating Information	5
1.5 Physical Dimensions	5
1.6 Pin Assignment	5
1.7 Truth Table	5
1.8 Circuit Schematic	5
1.9 Functional Diagram	5
1.10 Handling Precautions	5
1.11 Input Protection Network	5
2. <u>APPLICABLE DOCUMENTS</u>	14
3. <u>TERMS, DEFINITIONS, ABBREVIATIONS, SYMBOLS AND UNITS</u>	14
4. <u>REQUIREMENTS</u>	14
4.1 General	14
4.2 Deviations from Generic Specification	14
4.2.1 Deviations from Special In-process Controls	14
4.2.2 Deviations from Final Production Tests	14
4.2.3 Deviations from Burn-in Tests	14
4.2.4 Deviations from Qualification, Environmental and Endurance Tests	14
4.2.5 Deviations from Lot Acceptance Tests	15
4.3 Mechanical Requirements	15
4.3.1 Dimension Check	15
4.3.2 Weight	15
4.4 Materials and Finishes	15
4.4.1 Case	15
4.4.2 Lead Material and Finish	15
4.5 Marking	15
4.5.1 General	15
4.5.2 Lead Identification	15
4.5.3 The SCC Component Number	16
4.5.4 Traceability Information	16
4.6 Electrical Measurements	16
4.6.1 Electrical Measurements at Room Temperature	16
4.6.2 Electrical Measurements at High and Low Temperatures	16
4.6.3 Circuits for Electrical Measurements	16
4.7 Burn-in Tests	16
4.7.1 Parameter Drift Values	16
4.7.2 Conditions for H.T.R.B. and Burn-in	16
4.7.3 Electrical Circuits for H.T.R.B. and Burn-in	16
4.8 Environmental and Endurance Tests	44
4.8.1 Electrical Measurements on Completion of Environmental Tests	44
4.8.2 Electrical Measurements at Intermediate Points during Endurance Tests	44
4.8.3 Electrical Measurements on Completion of Endurance Tests	44
4.8.4 Conditions for Operating Life Test	44
4.8.5 Electrical Circuits for Operating Life Tests	44
4.8.6 Conditions for High Temperature Storage Test	44

**TABLE**

	<u>Page</u>
1(a) Type Variants	6
1(b) Maximum Ratings	6
2 Electrical Measurements at Room Temperature, d.c. Parameters	17
Electrical Measurements at Room Temperature, a.c. Parameters	21
3(a) Electrical Measurements at High Temperature	24
3(b) Electrical Measurements at Low Temperature	28
4 Parameter Drift Values	39
5(a) Conditions for Burn-in High Temperature Reverse Bias, N-Channels	40
5(b) Conditions for Burn-in High Temperature Reverse Bias, P-Channels	40
5(c) Conditions for Burn-in Dynamic	41
6 Electrical Measurements on Completion of Environmental Tests and at Intermediate Points and on Completion of Endurance Testing	45

FIGURES

1 Not applicable	
2 Physical Dimensions	7
3(a) Pin Assignment	11
3(b) Truth Table	12
3(c) Circuit Schematic	12
3(d) Functional Diagram	13
3(e) Input Protection Network	13
4 Circuits for Electrical Measurements	32
5(a) Electrical Circuit for Burn-in High Temperature Reverse Bias, N-Channels	42
5(b) Electrical Circuit for Burn-in High Temperature Reverse Bias, P-Channels	42
5(c) Electrical Circuit for Burn-in Dynamic	43

APPENDICES (Applicable to specific Manufacturers only)

'A' Agreed Deviations for STMicroelectronics (F)	47
--	----

**1. GENERAL****1.1 SCOPE**

This specification details the ratings, physical and electrical characteristics, test and inspection data for a silicon monolithic CMOS Dual 4-Bit Latch, with 3-State Outputs, based on Type 4508B. It shall be read in conjunction with ESA/SCC Generic Specification No. 9000, the requirements of which are supplemented herein.

1.2 COMPONENT TYPE VARIANTS

Variants of the basic type integrated circuits specified herein, which are also covered by this specification, are given in Table 1(a).

1.3 MAXIMUM RATINGS

The maximum ratings, which shall not be exceeded at any time during use or storage, applicable to the integrated circuits specified herein, are as scheduled in Table 1(b).

Maximum ratings shall only be exceeded during testing to the extent specified in this specification and when stipulated in Test Methods and Procedures of the applicable ESA/SCC Generic Specification.

1.4 PARAMETER DERATING INFORMATION (FIGURE 1)

Not applicable.

1.5 PHYSICAL DIMENSIONS

The physical dimensions of the integrated circuits specified herein are shown in Figure 2.

1.6 PIN ASSIGNMENT

As per Figure 3(a).

1.7 TRUTH TABLE

As per Figure 3(b).

1.8 CIRCUIT SCHEMATIC

As per Figure 3(c).

1.9 FUNCTIONAL DIAGRAM

As per Figure 3(d).

1.10 HANDLING PRECAUTIONS

These devices are susceptible to damage by electrostatic discharge. Therefore, suitable precautions shall be employed for protection during all phases of manufacture, testing, packaging, shipment and any handling. These components are Catagorised as Class 1 with a Minimum Critical Path Failure Voltage of 400 Volts.

1.11 INPUT PROTECTION NETWORK

Double diode protection shall be incorporated into each input as shown in Figure 3(e).

**TABLE 1(a) - TYPE VARIANTS**

VARIANT	CASE	FIGURE	LEAD MATERIAL AND/OR FINISH
01	FLAT	2(a)	G2 or G8
02	FLAT	2(a)	G4
03	D.I.L.	2(b)	G2 or G8
04	D.I.L.	2(b)	G4
07	CHIP CARRIER	2(c)	2
08	SO CERAMIC	2(d)	G2
09	SO CERAMIC	2(d)	G4

TABLE 1(b) - MAXIMUM RATINGS

NO.	CHARACTERISTICS	SYMBOL	MAXIMUM RATINGS	UNIT	REMARKS
1	Supply Voltage	V_{DD}	-0.5 to +18	V	Note 1
2	Input Voltage	V_{IN}	-0.5 to $V_{DD} + 0.5$	V	Note 2 Power on
3	D.C. Input Current	$\pm I_{IN}$	10	mA	-
4	D.C. Output Current	$\pm I_O$	10	mA	Note 3
5	Device Dissipation	P_D	200	mW	Per Package
6	Output Dissipation	P_{DSO}	100	mW	Note 4
7	Operating Temperature Range	T_{op}	-55 to +125	°C	-
8	Storage Temperature Range	T_{stg}	-65 to +150	°C	-
9	Soldering Temperature For FP and DIP For CCP	T_{sol}	+300 +245	°C	Note 5 Note 6

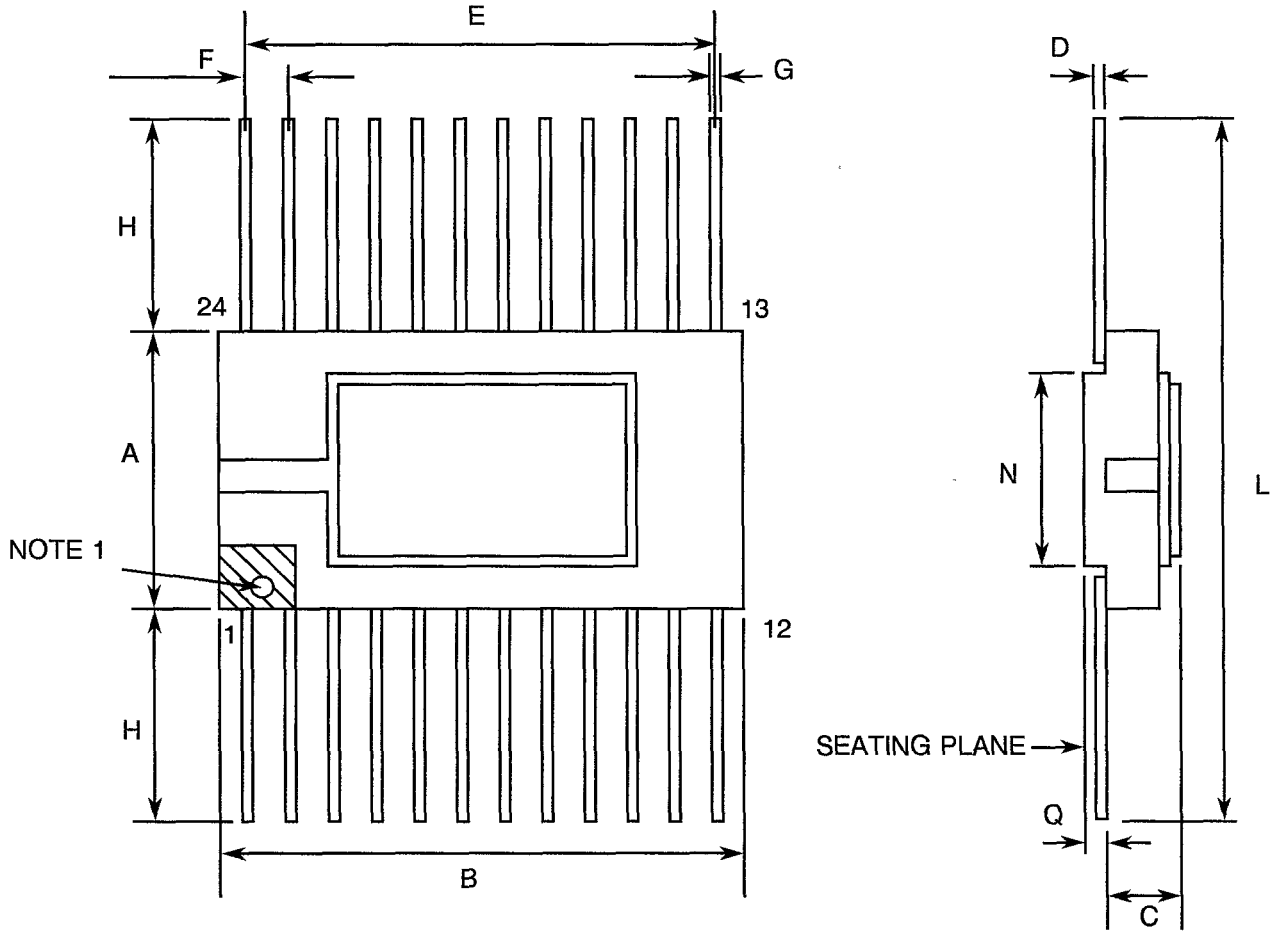
NOTES

1. Device is functional from +3V to +15V with reference to V_{SS} .
2. $V_{DD} + 0.5V$ should not exceed +18V.
3. The maximum output current of any single output.
4. The maximum power dissipation of any single output.
5. Duration 10 seconds maximum at a distance of not less than 1.5mm from the device body and the same lead shall not be resoldered until 3 minutes have elapsed.
6. Duration 30 seconds maximum and the same terminal shall not be resoldered until 3 minutes have elapsed.



FIGURE 2- PHYSICAL DIMENSIONS

FIGURE 2(a) - FLAT PACKAGE, 24-PIN



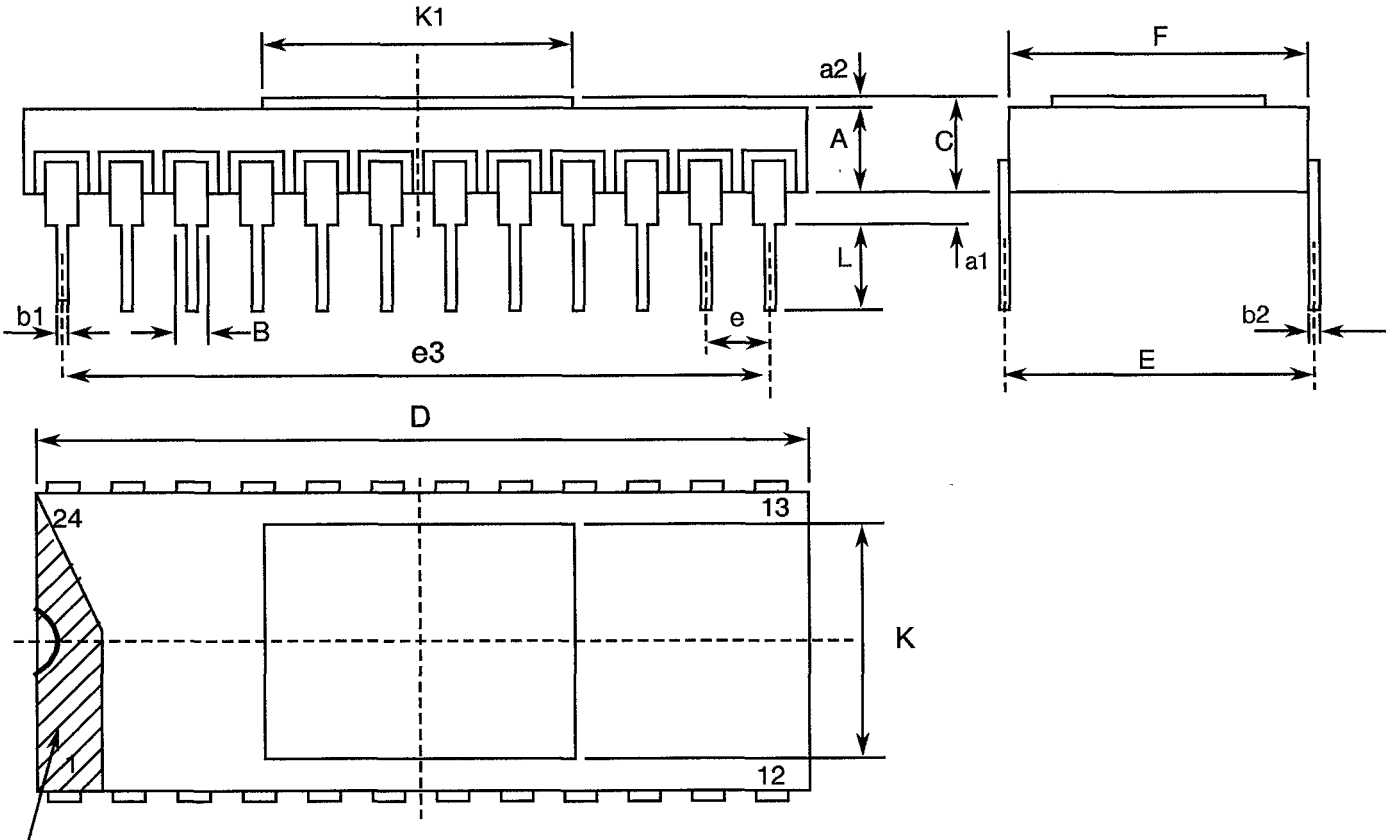
SYMBOL	MILLIMETRES		NOTES
	MIN	MAX	
A	10.70	11.30	
B	15.30	15.70	
C	1.45	1.90	
D	0.23	0.30	
E	13.65	14.10	
F	1.22	1.32	4
G	0.45	0.55	3
H	7.25	8.25	
L	25.00	28.00	
N	7.00 TYPICAL		
Q	0.45	0.55	2

NOTES: See Page 10.



FIGURE 2 - PHYSICAL DIMENSIONS (CONTINUED)

FIGURE 2(b) - DUAL-IN-LINE PACKAGE, 24-PIN



NOTE 1

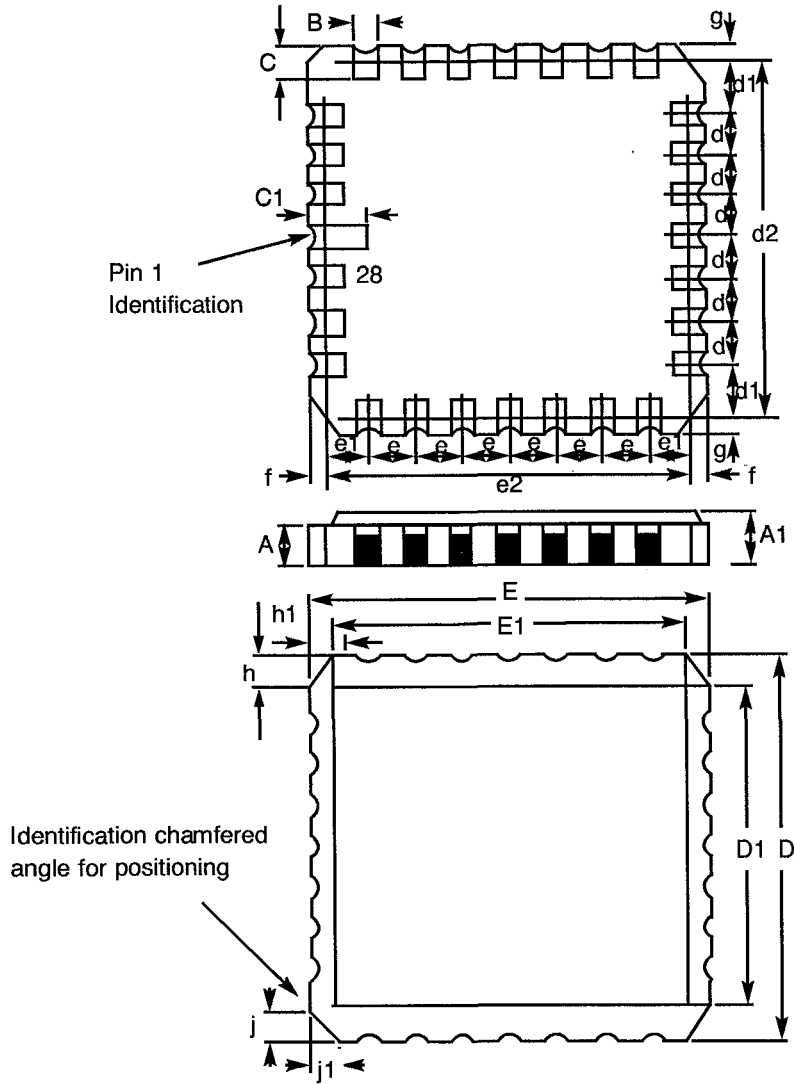
SYMBOL	MILLIMETRES		NOTES
	MIN	MAX	
A	1.931	2.387	
a1	1.016	1.524	2
a2	0.274	0.340	
B	1.274 TYPICAL		3
b1	0.407	0.507	3
b2	0.229	0.304	3
C	2.205	2.727	
D	30.176	30.784	
E	14.986	15.494	
e	2.413	2.667	4
e3	27.813	28.067	
F	14.859	15.367	
L	3.0	3.8	
K	12.6	13.0	
k ₁	12.6	13.0	

NOTES: See Page 10.



FIGURE 2 - PHYSICAL DIMENSIONS (CONTINUED)

FIGURE 2(c) - CHIP CARRIER - 28-TERMINAL



DIMENSIONS	MILLIMETRES		NOTES
	MIN	MAX	
A	1.14	1.95	
A1	1.63	2.36	
B	0.55	0.72	3
C	1.06	1.47	3
C ₁	1.91	2.41	
D	8.67	9.09	
D1	7.21	7.52	
d, d1	1.27	TYPICAL	4
d2	7.62	TYPICAL	
E	8.67	9.09	
E1	7.21	7.52	
e, e1	1.27	TYPICAL	4
e2	7.62	TYPICAL	
f, g	-	0.76	
h, h1	1.01	TYPICAL	6
j, j1	0.51	TYPICAL	5

NOTES: See Page 10.


	<p style="text-align: center;">ESA/SCC Detail Specification No. 9202/063</p>	<p style="text-align: center;">Rev. 'B'</p>	<p>PAGE 10 ISSUE 2</p>
--	--	---	----------------------------

FIGURE 2 - PHYSICAL DIMENSIONS (CONTINUED)

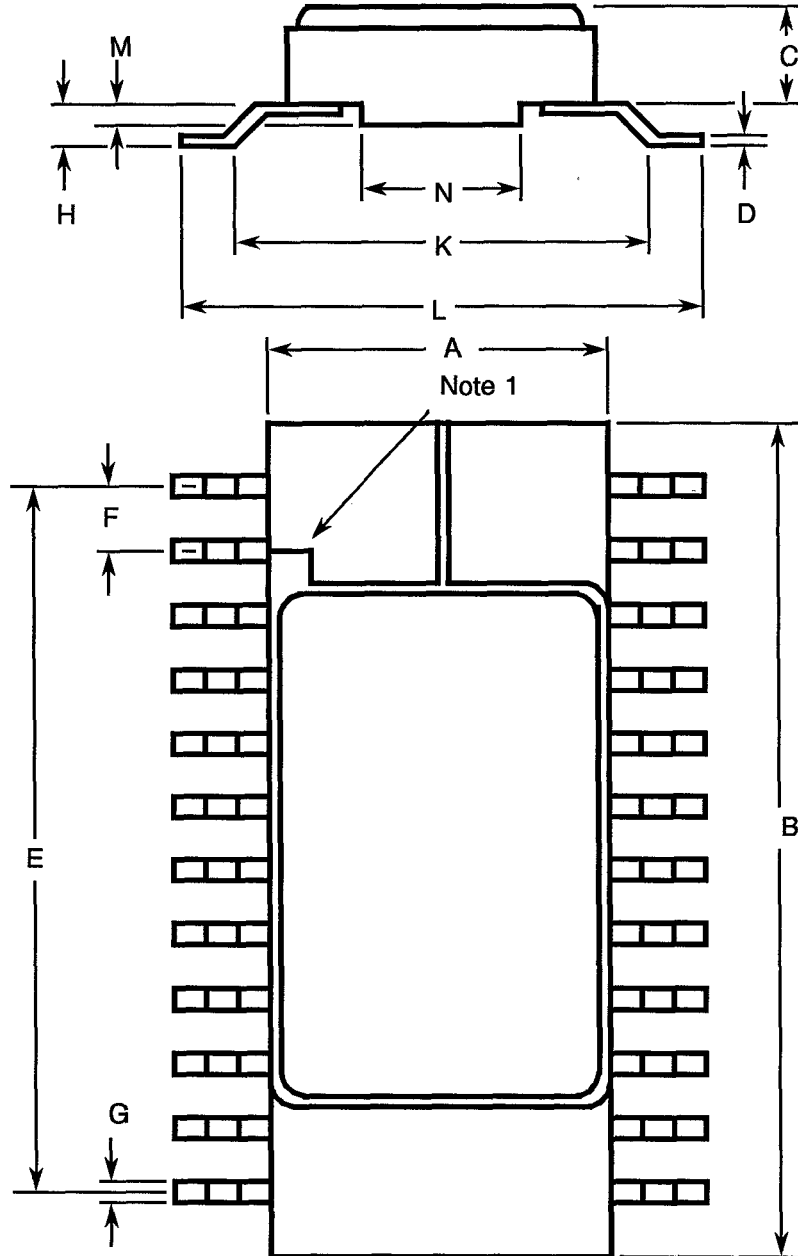
NOTES TO FIGURES 2(a) TO 2(d) INCLUSIVE

1. Index area: a notch, letter, metallised tab or dot shall be located adjacent to Pin 1 or 2 and shall be within the shaded area shown.
For chip carrier packages the index shall be as defined in Figure 2(c).
For SO packages, a dot shall also be located adjacent to Pin 1 on the bottom of the package.
2. The dimension shall be measured from the seating plane to the base plane.
3. All leads or terminals.
4. 24 pin packages : 22 spaces.
28 terminal packages : 16 spaces.
5. Index corner only.
6. Three non-index corners.



FIGURE 2 - PHYSICAL DIMENSIONS (CONTINUED)

FIGURE 2(d) - SMALL OUTLINE CERAMIC PACKAGE, 24-PIN



SYMBOL	MILLIMETRES		NOTES
	MIN.	MAX.	
A	7.30	7.60	
B	15.20	15.60	
C	1.58	1.88	
D	0.17	0.23	3
E	13.82	14.12	
F	1.27 TYPICAL		4
G	0.37	0.47	3
H	0.60	0.90	3
K	9.00 TYPICAL		
L	10	10.65	
M	0.55 TYPICAL		
N	4.31 TYPICAL		

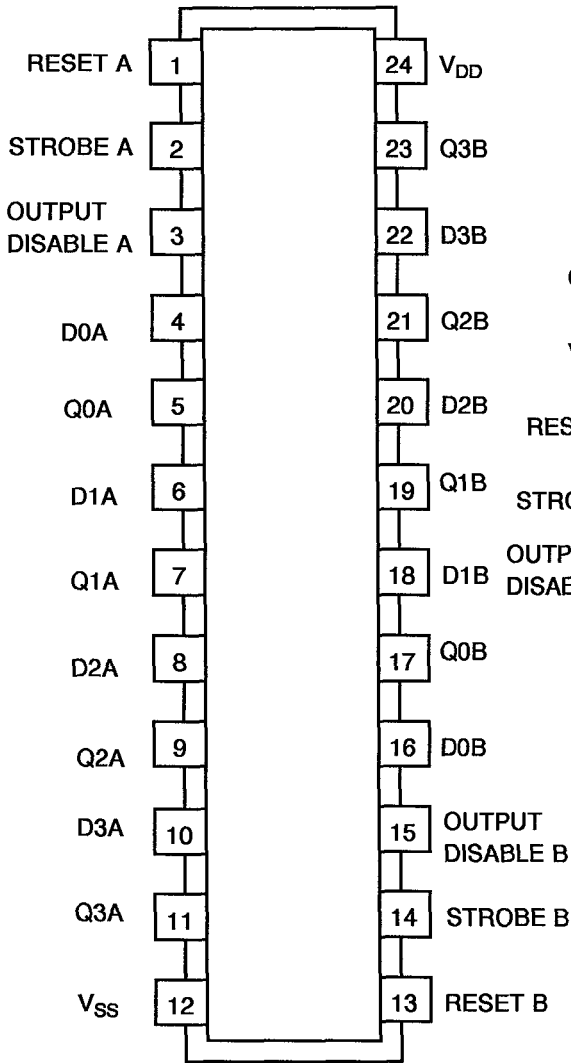
NOTES: See Page 10.



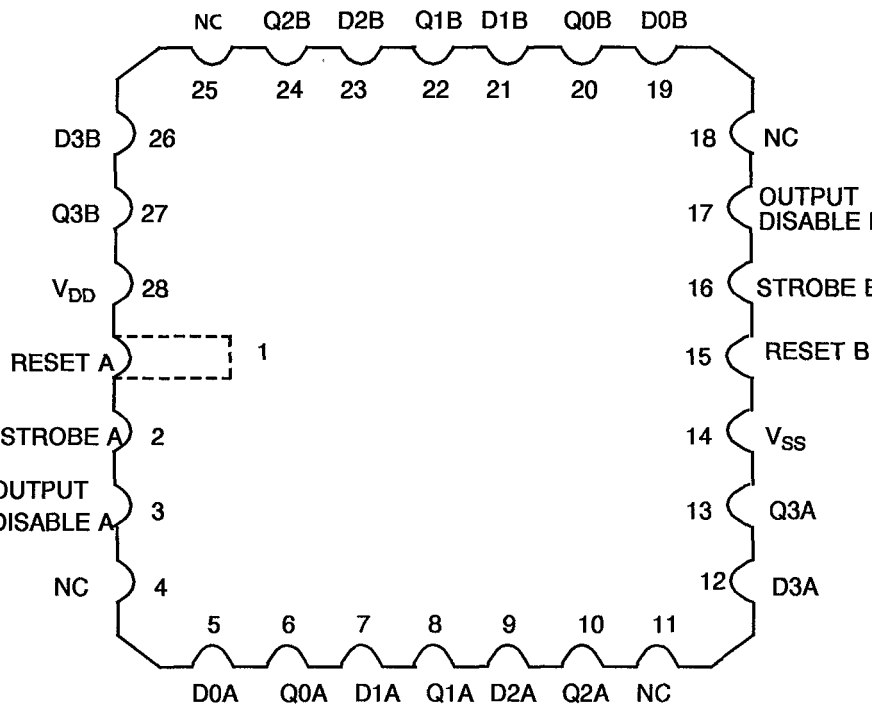
FIGURE 3(a) - PIN ASSIGNMENT

DUAL-IN-LINE, SO AND FLAT PACKAGES

CHIP CARRIER PACKAGE



TOP VIEW



TOP VIEW

FLAT PACKAGE, SO AND DUAL-IN-LINE TO CHIP CARRIER PIN ASSIGNMENT

FLAT PACKAGE, SO AND DUAL-IN-LINE PIN OUTS 1 2 3 4 5 6 7 8 9 10 11 12 13 14 15 16 17 18 19 20 21 22 23 24

CHIP CARRIER PIN OUTS 1 2 3 5 6 7 8 9 10 12 13 14 15 16 17 19 20 21 22 23 24 26 27 28

FIGURE 3(b) - TRUTH TABLE (EACH LATCH)

RESET	DISABLE	STROBE	D INPUT	Q OUTPUT
L	L	H	H	H
L	L	H	L	L
L	L	L	X	LATCHED
H	L	X	X	L
X	H	X	X	Z

NOTES

1. Logic Level Definitions: L = Low Level, H = High Level, Z = High Impedance, X = Don't Care.

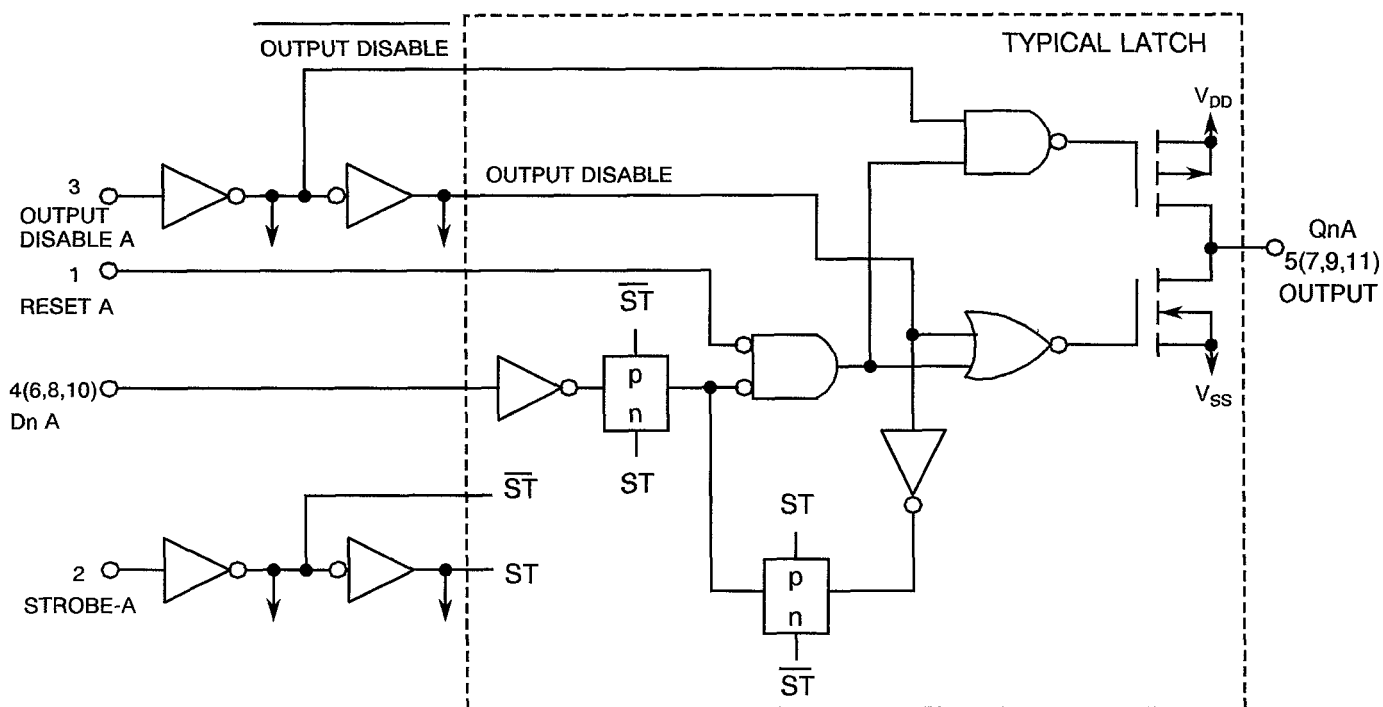
FIGURE 3(c) - CIRCUIT SCHEMATIC (EACH LATCH)




FIGURE 3(d) - FUNCTIONAL DIAGRAM

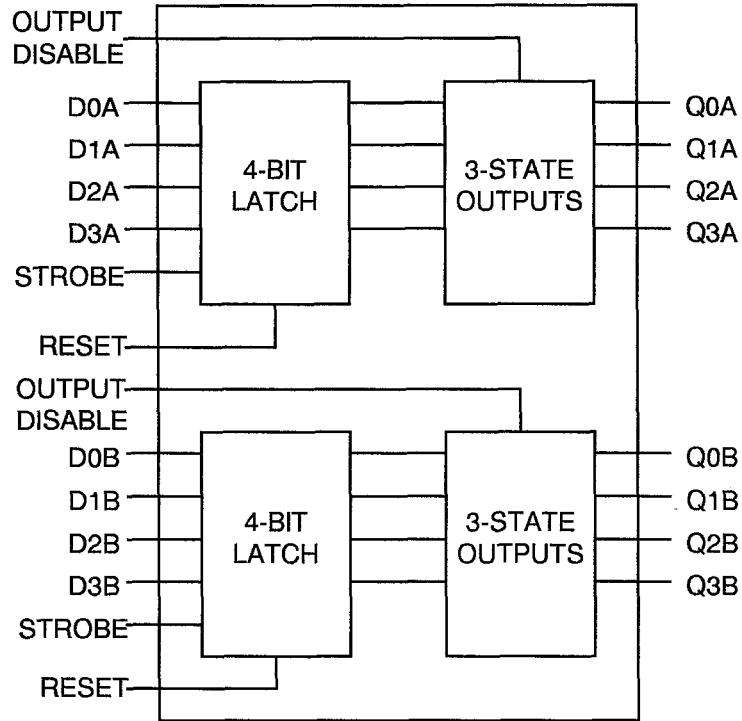
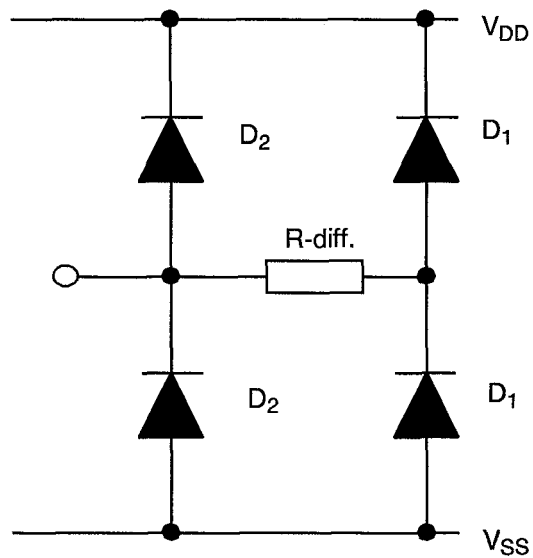


FIGURE 3(e) - INPUT PROTECTION NETWORK



**2. APPLICABLE DOCUMENTS**

The following documents form part of this specification and shall be read in conjunction with it:-

- (a) ESA/SCC Generic Specification No. 9000 for Integrated Circuits.
- (b) MIL-STD-883, Test Methods and Procedures for Micro-electronics.

3. TERMS, DEFINITIONS, ABBREVIATIONS, SYMBOLS AND UNITS

For the purpose of this specification, the terms, definitions, abbreviations, symbols and units specified in ESA/SCC Basic Specification No. 21300 shall apply. In addition, the following abbreviations are used:

V_{IC}	=	Input Clamp Voltage
P_{DSO}	=	Single Output Power Dissipation
CKT	=	Circuit
I_{OZ}	=	Output Leakage Current Third State
t_{PHZ}	=	Propagation Delay, High Output to High Impedance
t_{PZH}	=	Propagation Delay, High Impedance to High Output
t_{PLZ}	=	Propagation Delay, Low Output to High Impedance
t_{PZL}	=	Propagation Delay, High Impedance to Low Output

4. REQUIREMENTS**4.1 GENERAL**

The complete requirements for procurement of the integrated circuits specified herein shall be as stated in this specification and ESA/SCC Generic Specification No. 9000 for Integrated Circuits. Deviations from the Generic Specification, applicable to this specification only, are listed in Para. 4.2.

Deviations from the applicable Generic Specification and this Detail Specification, formally agreed with specific Manufacturers on the basis that the alternative requirements are equivalent to the ESA/SCC requirement and do not affect the components' reliability, are listed in the appendices attached to this specification.

4.2 DEVIATIONS FROM GENERIC SPECIFICATION**4.2.1 Deviations from Special In-process Controls**

None.

4.2.2 Deviations from Final Production Tests (Chart II)

None.

4.2.3 Deviations from Burn-in Tests (Chart III)**4.2.3.1 Deviations from High Temperature Reverse Bias (H.T.R.B.)**

Prior to operating power burn-in, a high temperature reverse bias (H.T.R.B.) screen at +125°C shall be added for the N-Channel and then for the P-Channel in accordance with Tables 5(a) and 5(b) of this specification. Each exposure to H.T.R.B. shall be 72 hours and Table 4 Parameter Drift Values shall be applied at 0 and 144 hours.

4.2.4 Deviations from Qualification, Environmental and Endurance Tests (Chart IV)

None.



4.2.5 Deviations from Lot Acceptance Tests (Chart V)

None.

4.3 MECHANICAL REQUIREMENTS

4.3.1 Dimension Check

The dimensions of the integrated circuits specified herein shall be checked. They shall conform to those shown in Figure 2.

4.3.2 Weight

The maximum weight of the integrated circuits specified herein shall be 4.25 grammes for the dual-in-line package, 1.55 grammes for the flat package, 1.1 grammes for the SO package and 0.79 grammes for the chip carrier package.

4.4 MATERIALS AND FINISHES

The materials shall be as specified herein. Where a definite material is not specified, a material which will enable the integrated circuits specified herein to meet the performance requirements of this specification shall be used. Acceptance or approval of any constituent material does not guarantee acceptance of the finished product.

4.4.1 Case

The case shall be hermetically sealed and have a metal body with hard glass seals or a ceramic body and the lids shall be welded, brazed or preform-soldered.

4.4.2 Lead Material and Finish

For dual-in-line and flat packages, the material shall be Type 'G' with either Type '4' or Type '2 or 8' finish in accordance with ESA/SCC Basic Specification No. 23500. For chip carrier packages the finish shall be Type '2' in accordance with ESA/SCC Basic Specification No. 23500. For SO ceramic packages, the material shall be Type 'G' with either Type '2' or Type '4' finish in accordance with ESA/SCC Basic Specification No. 23500. (See Table 1(a) for Type Variants).

4.5 MARKING

4.5.1 General

The marking of all components delivered to this specification shall be in accordance with the requirements of ESA/SCC Basic Specification No. 21700. Each component shall be marked in respect of:-

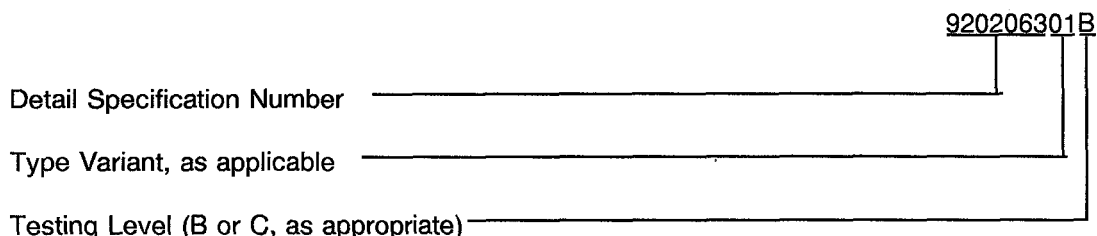
- (a) Lead Identification.
- (b) The SCC Component Number.
- (c) Traceability Information.

4.5.2 Lead Identification

For dual-in-line, flat and SO packages, an index shall be located at the top of the package in the position defined in Note 1 to Figure 2 or, alternatively, a tab may be used to identify Pin No. 1. The pin numbering must be read with the index or tab on the left-hand side. For chip carrier packages, the index shall be as defined by Figure 2(c).

4.5.3 The SCC Component Number

Each component shall bear the SCC Component Number which shall be constituted and marked as follows:



4.5.4 Traceability Information

Each component shall be marked in respect of traceability information in accordance with the requirements of ESA/SCC Basic Specification No. 21700.

4.6 ELECTRICAL MEASUREMENTS

4.6.1 Electrical Measurements at Room Temperature

The parameters to be measured in respect of electrical characteristics are scheduled in Table 2. Unless otherwise specified, the measurements shall be performed at $T_{amb} = +22 \pm 3 \text{ }^\circ\text{C}$.

4.6.2 Electrical Measurements at High and Low Temperatures

The parameters to be measured at high and low temperatures are scheduled in Table 3. The measurements shall be performed at $T_{amb} = +125(+0 -5) \text{ }^\circ\text{C}$ and $-55(+5 -0) \text{ }^\circ\text{C}$ respectively.

4.6.3 Circuits for Electrical Measurements

Circuits and functional test sequence for use in performing electrical measurements listed in Tables 2 and 3 of this specification are shown in Figure 4.

4.7 BURN-IN TESTS

4.7.1 Parameter Drift Values

The parameter drift values applicable to burn-in are specified in Table 4 of this specification. Unless otherwise stated, measurements shall be performed at $+22 \pm 3 \text{ }^\circ\text{C}$. The parameter drift values (Δ) applicable to the parameters scheduled, shall not be exceeded. In addition to these drift value requirements, the appropriate limit value specified for a given parameter in Table 2 shall not be exceeded.

4.7.2 Conditions for H.T.R.B. and Burn-in

The requirements for H.T.R.B. and Burn-in are specified in Section 7 of ESA/SCC Generic Specification No. 9000. The conditions for H.T.R.B. and Burn-in shall be as specified in Tables 5(a), 5(b) and 5(c) of this specification.

4.7.3 Electrical Circuits for H.T.R.B and Burn-in

Circuits for use in performing the H.T.R.B. and Burn-in tests are shown in Figures 5(a), 5(b) and 5(c) of this specification.

**TABLE 2 - ELECTRICAL MEASUREMENTS AT ROOM TEMPERATURE - d.c. PARAMETERS**

NO.	CHARACTERISTICS	SYMBOL	TEST METHOD MIL-STD 883	TEST FIG.	TEST CONDITIONS (PINS UNDER TEST D/F = DIP AND FP C = CCP)	LIMITS		UNIT
						MIN	MAX	
1	Functional Test	-	-	4(a)	Verify Truth Table without Load. $V_{DD} = 3V_{dc}$, $V_{SS} = 0V_{dc}$ Notes 1 and 2	-	-	-
2	Functional Test	-	-	4(a)	Verify Truth Table without Load. $V_{DD} = 15V_{dc}$, $V_{SS} = 0V_{dc}$ Notes 1 and 2	-	-	-
3 to 7	Quiescent Current	I_{DD}	3005	4(b)	$V_{IL} = 0V_{dc}$, $V_{IH} = 15V_{dc}$ $V_{DD} = 15V_{dc}$, $V_{SS} = 0V_{dc}$ Note 3 (Pin D/F 24) (Pin C 28)	-	1.0	μA
8 to 21	Input Current Low Level	I_{IL}	3009	4(c)	V_{IN} (Under Test) = $0V_{dc}$ V_{IN} (Remaining Inputs) = $15V_{dc}$ $V_{DD} = 15V_{dc}$, $V_{SS} = 0V_{dc}$ (Pins D/F 1-2-3-4-6-8-10-13-14-15-16-18-20-22) (Pins C 1-2-3-5-7-9-12-15-16-17-19-21-23-26)	-	-50	nA
22 to 35	Input Current High Level	I_{IH}	3010	4(d)	V_{IN} (Under Test) = $15V_{dc}$ V_{IN} (Remaining Inputs) = $0V_{dc}$ $V_{DD} = 15V_{dc}$, $V_{SS} = 0V_{dc}$ (Pins D/F 1-2-3-4-6-8-10-13-14-15-16-18-20-22) (Pins C 1-2-3-5-7-9-12-15-16-17-19-21-23-26)	-	50	nA
36 to 43	Output Voltage Low Level	V_{OL}	3007	4(e)	Latch Under Test: V_{IN} (Disable) = $0V_{dc}$ V_{IN} (Remaining Inputs) = $15V_{dc}$ $V_{OUT} = \text{Open}$ Other Latch: $V_{IN} = 15V_{dc}$ $V_{DD} = 15V_{dc}$, $V_{SS} = 0V_{dc}$ (Pins D/F 5-7-9-11-17-19-21-23) (Pins C 6-8-10-13-20-22-24-27)	-	0.05	V

NOTES: See Page 23.



SEC

ESA/SCC Detail Specification
No. 9202/063

PAGE 18
ISSUE 2

TABLE 2 - ELECTRICAL MEASUREMENTS AT ROOM TEMPERATURE - d.c. PARAMETERS (CONT'D)

NO.	CHARACTERISTICS	SYMBOL	TEST METHOD MIL-STD 883	TEST FIG.	TEST CONDITIONS (PINS UNDER TEST D/F = DIP AND FP C = CCP)	LIMITS		UNIT
						MIN	MAX	
44 to 51	Output Voltage High Level	V_{OH}	3006	4(f)	Latch Under Test: V_{IN} (D Inputs and Strobe) = 15Vdc V_{IN} (Reset and Disable) = 0Vdc V_{OUT} = Open Other Latch: V_{IN} = 15Vdc V_{DD} = 15Vdc, V_{SS} = 0Vdc (Pins D/F 5-7-9-11-17-19- 21-23) (Pins C 6-8-10-13-20-22- 24-27)	14.95	-	V
52 to 59	Output Drive Current N-Channel	I_{OL1}	-	4(g)	Latch Under Test: V_{IN} (Disable) = 0Vdc V_{IN} (Remaining Inputs) = 5Vdc V_{OUT} = 0.4Vdc Other Latch: V_{IN} = 5Vdc V_{DD} = 5Vdc, V_{SS} = 0Vdc Note 4 (Pins D/F 5-7-9-11-17-19- 21-23) (Pins C 6-8-10-13-20-22- 24-27)	0.51	-	mA
60 to 67	Output Drive Current N-Channel	I_{OL2}	-	4(g)	Latch Under Test: V_{IN} (Disable) = 0Vdc V_{IN} (Remaining Inputs) = 15Vdc V_{OUT} = 1.5Vdc Other Latch: V_{IN} = 15Vdc V_{DD} = 15Vdc, V_{SS} = 0Vdc Note 4 (Pins D/F 5-7-9-11-17-19- 21-23) (Pins C 6-8-10-13-20-22- 24-27)	3.4	-	mA
68 to 75	Output Drive Current P-Channel	I_{OH1}	-	4(h)	Latch Under Test: V_{IN} (D Inputs and Strobe) = 5Vdc V_{IN} (Reset and Disable) = 0Vdc V_{OUT} = 4.6Vdc Other Latch: V_{IN} = 5Vdc V_{DD} = 5Vdc, V_{SS} = 0Vdc Note 4 (Pins D/F 5-7-9-11-17-19- 21-23) (Pins C 6-8-10-13-20-22- 24-27)	-0.51	-	mA

NOTES: See Page 23.



TABLE 2 - ELECTRICAL MEASUREMENTS AT ROOM TEMPERATURE - d.c. PARAMETERS (CONT'D)

NO.	CHARACTERISTICS	SYMBOL	TEST METHOD MIL-STD 883	TEST FIG.	TEST CONDITIONS (PINS UNDER TEST D/F = DIP AND FP C = CCP)	LIMITS		UNIT
						MIN	MAX	
76 to 83	Output Drive Current P-Channel	I_{OH2}	-	4(h)	Latch Under Test: V_{IN} (D Inputs and Strobe) = 15Vdc V_{IN} (Reset and Disable) = 0Vdc $V_{OUT} = 13.5Vdc$ Other Latch: $V_{IN} = 15Vdc$ $V_{DD} = 15Vdc, V_{SS} = 0Vdc$ Note 4 (Pins D/F 5-7-9-11-17-19-21-23) (Pins C 6-8-10-13-20-22-24-27)	-3.4	-	mA
84 to 91	Output Leakage Current Third State (1)	I_{OZ1}	-	4(i)	V_{IN} (Strobe and Disable) = 15Vdc V_{IN} (Remaining Inputs) = 0Vdc $V_{OUT} = 15Vdc$ $V_{DD} = 15Vdc, V_{SS} = 0Vdc$ (Pins D/F 5-7-9-11-17-19-21-23) (Pins C 6-8-10-13-20-22-24-27)	-	0.4	μA
92 to 99	Output Leakage Current Third State (2)	I_{OZ2}	-	4(i)	V_{IN} (Strobe and Disable) = 15Vdc V_{IN} (Remaining Inputs) = 0Vdc $V_{OUT} = 0Vdc$ $V_{DD} = 15Vdc, V_{SS} = 0Vdc$ (Pins D/F 5-7-9-11-17-19-21-23) (Pins C 6-8-10-13-20-22-24-27)	-	-0.4	μA
100	Input Voltage Low Level (Noise Immunity) (Functional Test)	V_{IL1}	-	4(a)	$V_{IL} = 1.5Vdc$ $V_{IH} = 3.5Vdc$ $V_{DD} = 5Vdc, V_{SS} = 0Vdc$ Note 5 (Pins D/F 5-7-9-11-17-19-21-23) (Pins C 6-8-10-13-20-22-24-27)	4.5	-	V
	Input Voltage High Level (Noise Immunity) (Functional Test)	V_{IH1}	-			-	0.5	

NOTES: See Page 23.



TABLE 2 - ELECTRICAL MEASUREMENTS AT ROOM TEMPERATURE - d.c. PARAMETERS (CONT'D)

NO.	CHARACTERISTICS	SYMBOL	TEST METHOD MIL-STD 883	TEST FIG.	TEST CONDITIONS (PINS UNDER TEST D/F = DIP AND FP C = CCP)	LIMITS		UNIT
						MIN	MAX	
101	Input Voltage Low Level (Noise Immunity) (Functional Test)	V_{IL2}	-	4(a)	$V_{IL} = 4Vdc$ $V_{IH} = 11Vdc$ $V_{DD} = 15Vdc, V_{SS} = 0Vdc$ Note 5 (Pins D/F 5-7-9-11-17-19-21-23) (Pins C 6-8-10-13-20-22-24-27)	13.5	-	V
	Input Voltage High Level (Noise Immunity) (Functional Test)	V_{IH2}	-			-	1.5	
102	Threshold Voltage N-Channel	V_{THN}	-	4(j)	Strobe A Input at Ground All Other Inputs: $V_{IN} = 5Vdc$ $V_{DD} = 5Vdc, I_{SS} = -10\mu A$ (Pin D/F 12) (Pin C 14)	-0.7	-3.0	V
103	Threshold Voltage P-Channel	V_{THP}	-	4(k)	Strobe A Input at Ground All Other Inputs: $V_{IN} = -5Vdc$ $V_{SS} = -5Vdc, I_{DD} = 10\mu A$ (Pin D/F 24) (Pin C 28)	0.7	3.0	V
104 to 117	Input Clamp Voltage (to V_{SS})	V_{IC1}	-	4(l)	I_{IN} (Under Test) = $-100\mu A$ $V_{DD} = \text{Open}, V_{SS} = 0Vdc$ All Other Pins Open (Pins D/F 1-2-3-4-6-8-10-13-14-15-16-18-20-22) (Pins C 1-2-3-5-7-9-12-15-16-17-19-21-23-26)	-	-2.0	V
118 to 131	Input Clamp Voltage (to V_{DD})	V_{IC2}	-	4(m)	V_{IN} (Under Test) = $6Vdc$ $V_{SS} = \text{Open}, R = 30k\Omega$ (Pins D/F 1-2-3-4-6-8-10-13-14-15-16-18-20-22) (Pins C 1-2-3-5-7-9-12-15-16-17-19-21-23-26)	3.0	-	V

NOTES: See Page 23.



TABLE 2 - ELECTRICAL MEASUREMENTS AT ROOM TEMPERATURE - a.c. PARAMETERS

NO.	CHARACTERISTICS	SYMBOL	TEST METHOD MIL-STD 883	TEST FIG.	TEST CONDITIONS (PINS UNDER TEST D/F = DIP AND FP C = CCP)	LIMITS		UNIT
						MIN	MAX	
132 to 143	Input Capacitance	C_{IN}	3012	4(n)	V_{IN} (Not under Test) = 0Vdc $V_{DD} = V_{SS} = 0Vdc$ Note 6 (Pins D/F 2-3-4-6-8-10-14-15-16-18-20-22) (Pins C 2-3-5-7-9-12-16-17-19-21-23-26)	-	7.5	pF
144 to 145	Input Capacitance Reset Inputs	C_{IN}	3012	4(n)	V_{IN} (Not under Test) = 0Vdc $V_{DD} = V_{SS} = 0Vdc$ Note 6 (Pins D/F 1-13) (Pins C 1-15)	-	18	pF
146	Propagation Delay Low to High (Strobe to Q)	t_{PLH1}	3003	4(o)	V_{IN} (Under Test) = Pulse Generator V_{IN} (All Other Inputs) = 0Vdc $V_{DD} = 5Vdc, V_{SS} = 0Vdc$ Note 7 <u>Pins D/F</u> <u>Pins C</u> 2 to 9 2 to 10	-	260	ns
147	Propagation Delay High to Low (Strobe to Q)	t_{PHL1}	3003	4(o)	V_{IN} (Under Test) = Pulse Generator V_{IN} (All Other Inputs) = 0Vdc $V_{DD} = 5Vdc, V_{SS} = 0Vdc$ Note 7 <u>Pins D/F</u> <u>Pins C</u> 2 to 9 2 to 10	-	260	ns
148	Propagation Delay Low to High (Data to Q)	t_{PLH2}	3003	4(o)	V_{IN} (Under Test) = Pulse Generator V_{IN} (All Other Inputs) = 0Vdc $V_{DD} = 5Vdc, V_{SS} = 0Vdc$ Note 7 <u>Pins D/F</u> <u>Pins C</u> 8 to 9 9 to 10	-	210	ns
149	Propagation Delay High to Low (Data to Q)	t_{PHL2}	3003	4(o)	V_{IN} (Under Test) = Pulse Generator V_{IN} (All Other Inputs) = 0Vdc $V_{DD} = 5Vdc, V_{SS} = 0dcV$ Note 7 <u>Pins D/F</u> <u>Pins C</u> 8 to 9 9 to 10	-	210	ns

NOTES: See Page 23

**TABLE 2 - ELECTRICAL MEASUREMENTS AT ROOM TEMPERATURE - a.c. PARAMETERS (CONT'D)**

NO.	CHARACTERISTICS	SYMBOL	TEST METHOD MIL-STD 883	TEST FIG.	TEST CONDITIONS (PINS UNDER TEST D/F = DIP AND FP C = CCP)	LIMITS		UNIT
						MIN	MAX	
150	Propagation Delay Low to High (Reset to Q)	t _{PLH3}	3003	4(o)	V _{IN} (Under Test) = Pulse Generator V _{IN} (All Other Inputs) = 0Vdc V _{DD} = 5Vdc, V _{SS} = 0Vdc Note 7 <u>Pins D/F</u> <u>Pins C</u> 1 to 9 1 to 10	-	180	ns
151	Propagation Delay High to Low (Reset to Q)	t _{PHL3}	3003	4(o)	V _{IN} (Under Test) = Pulse Generator V _{IN} (All Other Inputs) = 0Vdc V _{DD} = 5Vdc, V _{SS} = 0Vdc Note 7 <u>Pins D/F</u> <u>Pins C</u> 1 to 9 1 to 10	-	180	ns
152	Propagation Delay High Impedance to Low Output (Disable to Q)	t _{PZL}	3003	4(p)	V _{IN} (Disable) = Pulse Generator V _{IN} (D Inputs, Reset and Strobe) = 5Vdc V _{IN} (All Other Inputs) = 0Vdc V _{DD} = 5Vdc, V _{SS} = 0Vdc Note 7 <u>Pins D/F</u> <u>Pins C</u> 3 to 11 3 to 13	-	180	ns
153	Propagation Delay Low Impedance to Low Output (Disable to Q)	t _{PLZ}	3003	4(p)	V _{IN} (Disable) = Pulse Generator V _{IN} (D Inputs, Reset and Strobe) = 5Vdc V _{IN} (All Other Inputs) = 0Vdc V _{DD} = 5Vdc, V _{SS} = 0Vdc Note 7 <u>Pins D/F</u> <u>Pins C</u> 3 to 11 3 to 13	-	180	ns
154	Propagation Delay High Impedance to High Output (Disable to Q)	t _{PZH}	3003	4(p)	V _{IN} (Disable) = Pulse Generator V _{IN} (D Inputs and Strobe) = 5Vdc V _{IN} (All Other Inputs) = 0Vdc V _{DD} = 5Vdc, V _{SS} = 0Vdc Note 7 <u>Pins D/F</u> <u>Pins C</u> 3 to 11 3 to 13	-	180	ns

NOTES: See Page 23.

**TABLE 2 - ELECTRICAL MEASUREMENTS AT ROOM TEMPERATURE - a.c. PARAMETERS (CONT'D)**

NO.	CHARACTERISTICS	SYMBOL	TEST METHOD MIL-STD 883	TEST FIG.	TEST CONDITIONS (PINS UNDER TEST D/F = DIP AND FP C = CCP)	LIMITS		UNIT
						MIN	MAX	
155	Propagation Delay High Output to High Impedance (Disable to Q)	t _{PHZ}	3003	4(p)	V _{IN} (Disable) = Pulse Generator V _{IN} (D Inputs and Strobe) = 5Vdc V _{IN} (All Other Inputs) = 0Vdc V _{DD} = 5Vdc, V _{SS} = 0Vdc Note 7 <u>Pins D/F</u> <u>Pins C</u> 3 to 11 3 to 13	-	180	ns
156	Transition Time Low to High	t _{TLH}	3004	4(o)	V _{IN} (Under Test) = Pulse Generator V _{IN} (All Other Inputs) = 0Vdc V _{DD} = 5Vdc, V _{SS} = 0Vdc Note 7 (Pin D/F 9) (Pin C 10)	-	200	ns
157	Transition Time High to Low	t _{THL}	3004	4(o)	V _{IN} (Under Test) = Pulse Generator V _{IN} (All Other Inputs) = 0Vdc V _{DD} = 5Vdc, V _{SS} = 0Vdc Note 7 (Pin D/F 9) (Pin C 10)	-	200	ns

NOTES

- GO-NO-GO Test, each pattern of Test Table 4(a).
 $V_{OH} \geq V_{DD} - 0.5V$ $V_{OL} \leq 0.5V$
- Maximum time to output comparator strobe 300μsec.
- Test each pattern of Test Table 4(b).
- Interchange of forcing and measuring function is permitted.
- This is performed as a Functional Test in which extreme V_{IN} conditions are applied and output voltage is measured.
- Measurement performed on a sample basis LTPD 7, or less, with a Capacitance Bridge connected between each input under test and V_{SS}, only for Lots where LAT Level 2 is to be performed. (For LTPD sampling plan, see Annexe I of EA/SCC 9000).
- Measurement performed on a sample basis, LTPD 7 or less, (see Annexe I of ESA/SCC 9000).

**TABLE 3(a) - ELECTRICAL MEASUREMENTS AT HIGH TEMPERATURE, +125(+0 -5) °C**

NO.	CHARACTERISTICS	SYMBOL	TEST METHOD MIL-STD 883	TEST FIG.	TEST CONDITIONS (PINS UNDER TEST D/F = DIP AND FP C = CCP)	LIMITS		UNIT
						MIN	MAX	
1	Functional Test	-	-	4(a)	Verify Truth Table without Load. $V_{DD} = 3V_{dc}$, $V_{SS} = 0V_{dc}$ Notes 1 and 2	-	-	-
2	Functional Test	-	-	4(a)	Verify Truth Table without Load. $V_{DD} = 15V_{dc}$, $V_{SS} = 0V_{dc}$ Notes 1 and 2	-	-	-
3 to 7	Quiescent Current	I_{DD}	3005	4(b)	$V_{IL} = 0V_{dc}$, $V_{IH} = 15V_{dc}$ $V_{DD} = 15V_{dc}$, $V_{SS} = 0V_{dc}$ Note 3 (Pin D/F 24) (Pin C 28)	-	30	μA
8 to 21	Input Current Low Level	I_{IL}	3009	4(c)	V_{IN} (Under Test) = $0V_{dc}$ V_{IN} (Remaining Inputs) = $15V_{dc}$ $V_{DD} = 15V_{dc}$, $V_{SS} = 0V_{dc}$ (Pins D/F 1-2-3-4-6-8-10-13-14-15-16-18-20-22) (Pins C 1-2-3-5-7-9-12-15-16-17-19-21-23-26)	-	-100	nA
22 to 35	Input Current High Level	I_{IH}	3010	4(d)	V_{IN} (Under Test) = $15V_{dc}$ V_{IN} (Remaining Inputs) = $0V_{dc}$ $V_{DD} = 15V_{dc}$, $V_{SS} = 0V_{dc}$ (Pins D/F 1-2-3-4-6-8-10-13-14-15-16-18-20-22) (Pins C 1-2-3-5-7-9-12-15-16-17-19-21-23-26)	-	100	nA
36 to 43	Output Voltage Low Level	V_{OL}	3007	4(e)	Latch Under Test: V_{IN} (Disable) = $0V_{dc}$ V_{in} (Remaining Inputs) = $15V_{dc}$ $V_{OUT} = \text{Open}$ Other Latch: $V_{IN} = 15V_{dc}$ $V_{DD} = 15V_{dc}$, $V_{SS} = 0V_{dc}$ (Pins D/F 5-7-9-11-17-19-21-23) (Pins C 6-8-10-13-20-22-24-27)	-	0.05	V

NOTES: See Page 23.



TABLE 3(a) - ELECTRICAL MEASUREMENTS AT HIGH TEMPERATURE, +125(+0 -5) °C (CONT'D)

NO.	CHARACTERISTICS	SYMBOL	TEST METHOD MIL-STD 883	TEST FIG.	TEST CONDITIONS (PINS UNDER TEST D/F = DIP AND FP C = CCP)	LIMITS		UNIT
						MIN	MAX	
44 to 51	Output Voltage High Level	V_{OH}	3006	4(f)	Latch Under Test: V_{IN} (D Inputs and Strobe) = 15Vdc V_{IN} (Reset and Disable) = 0Vdc V_{OUT} = Open Other Latch: V_{IN} = 15Vdc V_{DD} = 15Vdc, V_{SS} = 0Vdc (Pins D/F 5-7-9-11-17-19-21-23) (Pins C 6-8-10-13-20-22-24-27)	14.95	-	V
52 to 59	Output Drive Current N-Channel	I_{OL1}	-	4(g)	Latch Under Test: V_{IN} (Disable) = 0Vdc V_{IN} (Remaining Inputs) = 5Vdc V_{OUT} = 0.4Vdc Other Latch: V_{IN} = 5Vdc V_{DD} = 5Vdc, V_{SS} = 0Vdc Note 4 (Pins D/F 5-7-9-11-17-19-21-23) (Pins C 6-8-10-13-20-22-24-27)	0.36	-	mA
60 to 67	Output Drive Current N-Channel	I_{OL2}	-	4(g)	Latch Under Test: V_{IN} (Disable) = 0Vdc V_{IN} (Remaining Inputs) = 15Vdc V_{OUT} = 1.5Vdc Other Latch: V_{IN} = 15Vdc V_{DD} = 15Vdc, V_{SS} = 0Vdc Note 4 (Pins D/F 5-7-9-11-17-19-21-23) (Pins C 6-8-10-13-20-22-24-27)	2.4	-	mA
68 to 75	Output Drive Current P-Channel	I_{OH1}	-	4(h)	Latch Under Test: V_{IN} (D Inputs and Strobe) = 5Vdc V_{IN} (Reset and Disable) = 0Vdc V_{OUT} = 4.6Vdc Other Latch: V_{IN} = 5Vdc V_{DD} = 5Vdc, V_{SS} = 0Vdc Note 4 (Pins D/F 5-7-9-11-17-19-21-23) (Pins C 6-8-10-13-20-22-24-27)	-0.36	-	mA

NOTES: See Page 23.



TABLE 3(a) - ELECTRICAL MEASUREMENTS AT HIGH TEMPERATURE, +125(+0 -5) °C (CONT'D)

NO.	CHARACTERISTICS	SYMBOL	TEST METHOD MIL-STD 883	TEST FIG.	TEST CONDITIONS (PINS UNDER TEST D/F = DIP AND FP C = CCP)	LIMITS		UNIT
						MIN	MAX	
76 to 83	Output Drive Current P-Channel	I_{OH2}	-	4(h)	Latch Under Test: V_{IN} (D' Inputs and Strobe) = 15Vdc V_{IN} (Reset and Disable) = 0Vdc $V_{OUT} = 13.5Vdc$ Other Latch: $V_{IN} = 15Vdc$ $V_{DD} = 15Vdc, V_{SS} = 0Vdc$ Note 4 (Pins D/F 5-7-9-11-17-19-21-23) (Pins C 6-8-10-13-20-22-24-27)	-2.4	-	mA
84 to 91	Output Leakage Current Third State (1)	I_{OZ1}	-	4(i)	V_{IN} (Strobe and Disable) = 15Vdc V_{IN} (Remaining Inputs) = 0Vdc $V_{OUT} = 15Vdc$ $V_{DD} = 15Vdc, V_{SS} = 0Vdc$ (Pins D/F 5-7-9-11-17-19-21-23) (Pins C 6-8-10-13-20-22-24-27)	-	12	μA
92 to 99	Output Leakage Current Third State (2)	I_{OZ2}	-	4(i)	V_{IN} (Strobe and Disable) = 15Vdc V_{IN} (Remaining Inputs) = 0Vdc $V_{OUT} = 0Vdc$ $V_{DD} = 15Vdc, V_{SS} = 0Vdc$ (Pins D/F 5-7-9-11-17-19-21-23) (Pins C 6-8-10-13-20-22-24-27)	-	-12	μA
100	Input Voltage Low Level (Noise Immunity) (Functional Test)	V_{IL1}	-	4(a)	$V_{IL} = 1.5Vdc$ $V_{IH} = 3.5Vdc$ $V_{DD} = 5Vdc, V_{SS} = 0Vdc$ Note 5 (Pins D/F 5-7-9-11-17-19-21-23) (Pins C 6-8-10-13-20-22-24-27)	4.5	-	V
	Input Voltage High Level (Noise Immunity) (Functional Test)	V_{IH1}	-			-	0.5	

NOTES: See Page 23.

**TABLE 3(a) - ELECTRICAL MEASUREMENTS AT HIGH TEMPERATURE, +125(+0 -5) °C (CONT'D)**

NO.	CHARACTERISTICS	SYMBOL	TEST METHOD MIL-STD 883	TEST FIG.	TEST CONDITIONS (PINS UNDER TEST D/F = DIP AND FP C = CCP)	LIMITS		UNIT
						MIN	MAX	
101	Input Voltage Low Level (Noise Immunity) (Functional Test)	V_{IL2}	-	4(a)	$V_{IL} = 4Vdc$ $V_{IH} = 11Vdc$ $V_{DD} = 15Vdc, V_{SS} = 0Vdc$ Note 5 (Pins D/F 5-7-9-11-17-19- 21-23) (Pins C 6-8-10-13-20-22- 24-27)	13.5	-	V
	Input Voltage High Level (Noise Immunity) (Functional Test)	V_{IH2}	-			-	1.5	
102	Threshold Voltage N-Channel	V_{THN}	-	4(j)	Strobe A Input at Ground All Other Inputs: $V_{IN} = 5Vdc$ $V_{DD} = 5Vdc, I_{SS} = -10\mu A$ (Pin D/F 12) (Pin C 14)	-0.3	-3.5	V
103	Threshold Voltage P-Channel	V_{THP}	-	4(k)	Strobe A Input at Ground All Other Inputs: $V_{IN} = -5Vdc$ $V_{SS} = -5Vdc, I_{DD} = 10\mu A$ (Pin D/F 24) (Pin C 28)	0.3	3.5	V

NOTES: See Page 23.



TABLE 3(b) - ELECTRICAL MEASUREMENTS AT LOW TEMPERATURE, -55(+5 -0) °C

NO.	CHARACTERISTICS	SYMBOL	TEST METHOD MIL-STD 883	TEST FIG.	TEST CONDITIONS (PINS UNDER TEST D/F = DIP AND FP C = CCP)	LIMITS		UNIT
						MIN	MAX	
1	Functional Test	-	-	4(a)	Verify Truth Table without Load. $V_{DD} = 3V_{dc}$, $V_{SS} = 0V_{dc}$ Notes 1 and 2	-	-	-
2	Functional Test	-	-	4(a)	Verify Truth Table without Load. $V_{DD} = 15V_{dc}$, $V_{SS} = 0V_{dc}$ Notes 1 and 2	-	-	-
3 to 7	Quiescent Current	I_{DD}	3005	4(b)	$V_{IL} = 0V_{dc}$, $V_{IH} = 15V_{dc}$ $V_{DD} = 15V_{dc}$, $V_{SS} = 0V_{dc}$ Note 3 (Pin D/F 24) (Pin C 28)	-	1.0	μA
8 to 21	Input Current Low Level	I_{IL}	3009	4(c)	V_{IN} (Under Test) = $0V_{dc}$ V_{IN} (Remaining Inputs) = $15V_{dc}$ $V_{DD} = 15V_{dc}$, $V_{SS} = 0V_{dc}$ (Pins D/F 1-2-3-4-6-8-10-13-14-15-16-18-20-22) (Pins C 1-2-3-5-7-9-12-15-16-17-19-21-23-26)	-	-50	nA
22 to 35	Input Current High Level	I_{IH}	3010	4(d)	V_{IN} (Under Test) = $15V_{dc}$ V_{IN} (Remaining Inputs) = $0V_{dc}$ $V_{DD} = 15V_{dc}$, $V_{SS} = 0V_{dc}$ (Pins D/F 1-2-3-4-6-8-10-13-14-15-16-18-20-22) (Pins C 1-2-3-5-7-9-12-15-16-17-19-21-23-26)	-	50	nA
36 to 43	Output Voltage Low Level	V_{OL}	3007	4(e)	Latch Under Test: V_{IN} (Disable) = $0V_{dc}$ V_{in} (Remaining Inputs) = $15V_{dc}$ $V_{OUT} = \text{Open}$ Other Latch: $V_{IN} = 15V_{dc}$ $V_{DD} = 15V_{dc}$, $V_{SS} = 0V_{dc}$ (Pins D/F 5-7-9-11-17-19-21-23) (Pins C 6-8-10-13-20-22-24-27)	-	0.05	V

NOTES: See Page 23.



TABLE 3(b) - ELECTRICAL MEASUREMENTS AT LOW TEMPERATURE, -55(+5 -0) °C (CONT'D)

NO.	CHARACTERISTICS	SYMBOL	TEST METHOD MIL-STD 883	TEST FIG.	TEST CONDITIONS (PINS UNDER TEST D/F = DIP AND FP C = CCP)	LIMITS		UNIT
						MIN	MAX	
44 to 51	Output Voltage High Level	V_{OH}	3006	4(f)	Latch Under Test: V_{IN} (D Inputs and Strobe) = 15Vdc V_{IN} (Reset and Disable) = 0Vdc V_{OUT} = Open Other Latch: V_{IN} = 15Vdc V_{DD} = 15Vdc, V_{SS} = 0Vdc (Pins D/F 5-7-9-11-17-19-21-23) (Pins C 6-8-10-13-20-22-24-27)	14.95	-	V
52 to 59	Output Drive Current N-Channel	I_{OL1}	-	4(g)	Latch Under Test: V_{IN} (Disable) = 0Vdc V_{IN} (Remaining Inputs) = 5Vdc V_{OUT} = 0.4Vdc Other Latch: V_{IN} = 5Vdc V_{DD} = 5Vdc, V_{SS} = 0Vdc Note 4 (Pins D/F 5-7-9-11-17-19-21-23) (Pins C 6-8-10-13-20-22-24-27)	0.64	-	mA
60 to 67	Output Drive Current N-Channel	I_{OL2}	-	4(g)	Latch Under Test: V_{IN} (Disable) = 0Vdc V_{IN} (Remaining Inputs) = 15Vdc V_{OUT} = 1.5Vdc Other Latch: V_{IN} = 15Vdc V_{DD} = 15Vdc, V_{SS} = 0Vdc Note 4 (Pins D/F 5-7-9-11-17-19-21-23) (Pins C 6-8-10-13-20-22-24-27)	4.2	-	mA
68 to 75	Output Drive Current P-Channel	I_{OH1}	-	4(h)	Latch Under Test: V_{IN} (D Inputs and Strobe) = 5Vdc V_{IN} (Reset and Disable) = 0Vdc V_{OUT} = 4.6Vdc Other Latch: V_{IN} = 5Vdc V_{DD} = 5Vdc, V_{SS} = 0Vdc Note 4 (Pins D/F 5-7-9-11-17-19-21-23) (Pins C 6-8-10-13-20-22-24-27)	-0.64	-	mA

NOTES: See Page 23.



TABLE 3(b) - ELECTRICAL MEASUREMENTS AT LOW TEMPERATURE, -55(+5 -0) °C (CONT'D)

NO.	CHARACTERISTICS	SYMBOL	TEST METHOD MIL-STD 883	TEST FIG.	TEST CONDITIONS (PINS UNDER TEST D/F = DIP AND FP C = CCP)	LIMITS		UNIT
						MIN	MAX	
76 to 83	Output Drive Current P-Channel	I_{OH2}	-	4(h)	Latch Under Test: V_{IN} (D Inputs and Strobe) = 15Vdc V_{IN} (Reset and Disable) = 0Vdc $V_{OUT} = 13.5Vdc$ Other Latch: $V_{IN} = 15Vdc$ $V_{DD} = 15Vdc, V_{SS} = 0Vdc$ Note 4 (Pins D/F 5-7-9-11-17-19-21-23) (Pins C 6-8-10-13-20-22-24-27)	-4.2	-	mA
84 to 91	Output Leakage Current Third State (1)	I_{OZ1}	-	4(i)	V_{IN} (Strobe and Disable) = 15Vdc V_{IN} (Remaining Inputs) = 0Vdc $V_{OUT} = 15Vdc$ $V_{DD} = 15Vdc, V_{SS} = 0Vdc$ (Pins D/F 5-7-9-11-17-19-21-23) (Pins C 6-8-10-13-20-22-24-27)	-	0.4	μA
92 to 99	Output Leakage Current Third State (2)	I_{OZ2}	-	4(i)	V_{IN} (Strobe and Disable) = 15Vdc V_{IN} (Remaining Inputs) = 0Vdc $V_{OUT} = 0Vdc$ $V_{DD} = 15Vdc, V_{SS} = 0Vdc$ (Pins D/F 5-7-9-11-17-19-21-23) (Pins C 6-8-10-13-20-22-24-27)	-	-0.4	μA
100	Input Voltage Low Level (Noise Immunity) (Functional Test)	V_{IL1}	-	4(a)	$V_{IL} = 1.5Vdc$ $V_{IH} = 3.5Vdc$ $V_{DD} = 5Vdc, V_{SS} = 0Vdc$ Note 5 (Pins D/F 5-7-9-11-17-19-21-23) (Pins C 6-8-10-13-20-22-24-27)	4.5	-	V
	Input Voltage High Level (Noise Immunity) (Functional Test)	V_{IH1}	-			-	0.5	

NOTES: See Page 23.

TABLE 3(b) - ELECTRICAL MEASUREMENTS AT LOW TEMPERATURE, -55(+5 -0) °C (CONT'D)

NO.	CHARACTERISTICS	SYMBOL	TEST METHOD MIL-STD 883	TEST FIG.	TEST CONDITIONS (PINS UNDER TEST D/F = DIP AND FP C = CCP)	LIMITS		UNIT
						MIN	MAX	
101	Input Voltage Low Level (Noise Immunity) (Functional Test)	V_{IL2}	-	4(a)	$V_{IL} = 4V_{dc}$ $V_{IH} = 11V_{dc}$ $V_{DD} = 15V_{dc}, V_{SS} = 0V_{dc}$ Note 5 (Pins D/F 5-7-9-11-17-19- 21-23) (Pins C 6-8-10-13-20-22- 24-27)	13.5	-	V
	Input Voltage High Level (Noise Immunity) (Functional Test)	V_{IH2}	-			-	1.5	
102	Threshold Voltage N-Channel	V_{THN}	-	4(j)	Strobe A Input at Ground All Other Inputs: $V_{IN} = 5V_{dc}$ $V_{DD} = 5V_{dc}, I_{SS} = -10\mu A$ (Pin D/F 12) (Pin C 14)	-0.7	-3.5	V
103	Threshold Voltage P-Channel	V_{THP}	-	4(k)	Strobe A Input at Ground All Other Inputs: $V_{IN} = -5V_{dc}$ $V_{SS} = -5V_{dc}, I_{DD} = 10\mu A$ (Pin D/F 24) (Pin C 28)	0.7	3.5	V

NOTES: See Page 23.

FIGURE 4 - CIRCUITS FOR ELECTRICAL MEASUREMENTS

FIGURE 4(a) - FUNCTIONAL TEST TABLE

PATTERN NO.	PIN NUMBERS																							D.C. SUPPLY	
	1	2	3	4	5	6	7	8	9	10	11	13	14	15	16	17	18	19	20	21	22	23	12	24	
1	0	1	L	0	0	0	0	0	0	0	0	0	1	L	0	0	0	0	0	0	0	0	0	V _{DD}	
2	0	0	L	0	0	0	0	0	0	0	0	0	0	L	0	0	0	0	0	0	0	0	↓	↓	
3	0	0	L	1	0	1	0	1	0	1	0	0	0	L	1	0	1	0	1	0	1	0	↓	↓	
4	0	1	L	1	1	1	1	1	1	1	1	0	1	L	1	1	1	1	1	1	1	1	↓	↓	
5	0	0	L	1	1	1	1	1	1	1	1	0	0	L	1	1	1	1	1	1	1	1	↓	↓	
6	0	0	L	0	1	0	1	0	1	0	1	0	0	L	0	1	0	1	0	1	0	1	↓	↓	
7	1	0	L	1	0	1	0	1	0	1	0	1	0	L	1	0	1	0	1	0	1	0	↓	↓	
8	0	0	L	1	0	1	0	1	0	1	0	0	0	L	1	0	1	0	1	0	1	0	↓	↓	

NOTES

- Figure 4(a) illustrates one series of test patterns. Any other test pattern series must be agreed with the Qualifying Space Agency and shall be included as an Appendix.
- Logic Level Definitions: 1 = V_{IH} = V_{DD}, 0 = V_{IL} = V_{SS}.
 For Noise Immunity test, L = 4Vdc for V_{DD} = 15Vdc and L = 1.5Vdc for V_{DD} = 5Vdc, otherwise L = 0.

FIGURE 4(b) - QUIESCENT CURRENT TEST TABLE

PATTERN NO.	PIN NUMBERS																							D.C. SUPPLY	
	1	2	3	4	5	6	7	8	9	10	11	13	14	15	16	17	18	19	20	21	22	23	12	24	
1	0	1	0	0	O/C	0	O/C	0	O/C	0	O/C	0	1	0	0	O/C	0	O/C	0	O/C	0	O/C	0	V _{DD}	
2	0	1	0	1	↓	1	↓	1	↓	1	↓	0	1	0	1	↓	1	↓	1	↓	1	↓	↓	↓	
3	0	1	1	1	↓	1	↓	1	↓	1	↓	0	1	1	1	↓	1	↓	1	↓	1	↓	↓	↓	
4	1	1	1	1	↓	1	↓	1	↓	1	↓	1	1	1	1	↓	1	↓	1	↓	1	↓	↓	↓	
5	1	0	0	1	↓	1	↓	1	↓	1	↓	1	0	0	1	↓	1	↓	1	↓	1	↓	↓	↓	

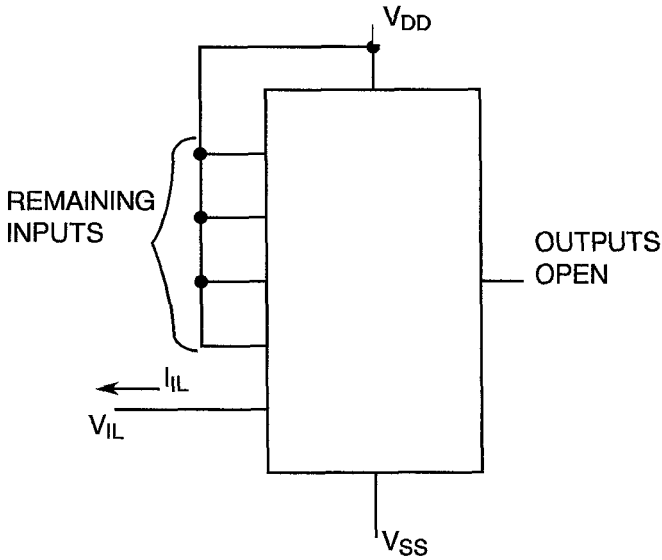
NOTES

- Figure 4(b) illustrates one series of test patterns. Any other pattern series must be agreed with the Qualifying Space Agency and shall be included as an Appendix.
- Logic Level Definitions: 1 = V_{IH} = V_{DD}, 0 = V_{IL} = V_{SS}, O/C = Open Circuit.



FIGURE 4 - CIRCUITS FOR ELECTRICAL MEASUREMENTS (CONTINUED)

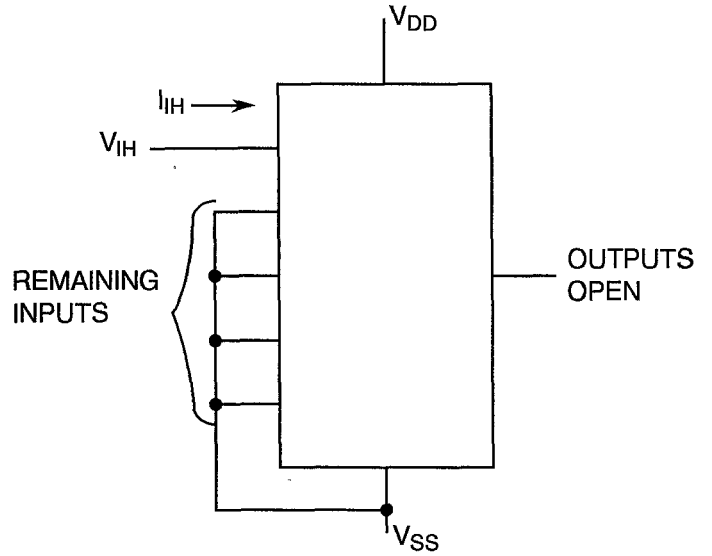
FIGURE 4(c) - LOW LEVEL INPUT CURRENT



NOTES

- 1. Each input to be tested separately.

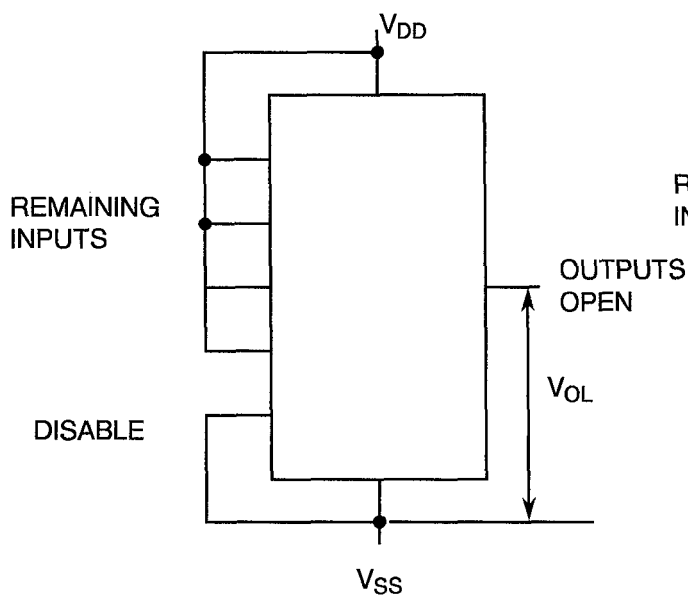
FIGURE 4(d) - HIGH LEVEL INPUT CURRENT



NOTES

- 1. Each input to be tested separately.

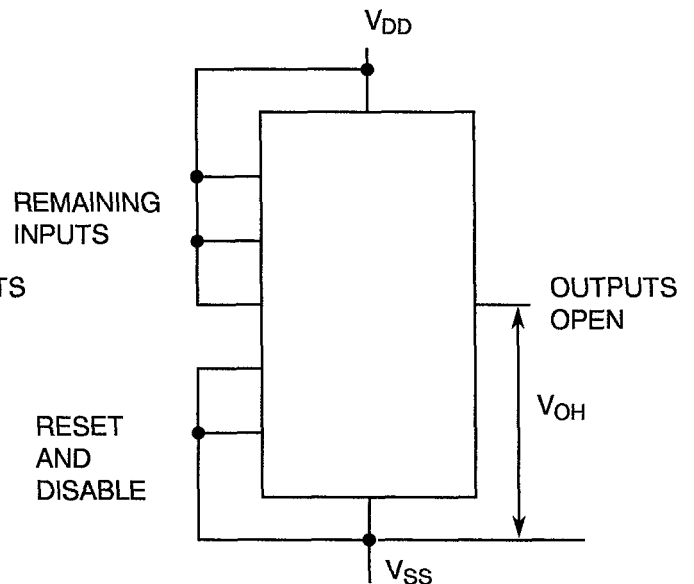
FIGURE 4(e) - LOW LEVEL OUTPUT VOLTAGE



NOTES

- 1. Each output to be tested separately.

FIGURE 4(f) - HIGH LEVEL OUTPUT VOLTAGE

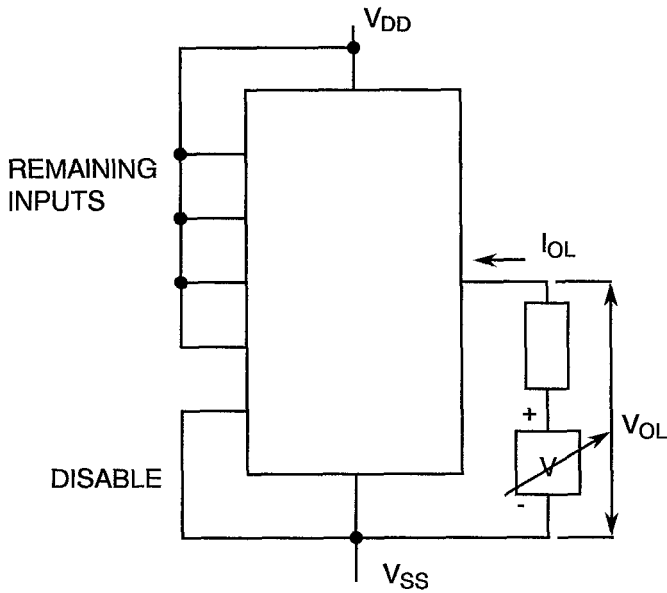


NOTES

- 1. Each output to be tested separately.

FIGURE 4 - CIRCUITS FOR ELECTRICAL MEASUREMENTS (CONTINUED)

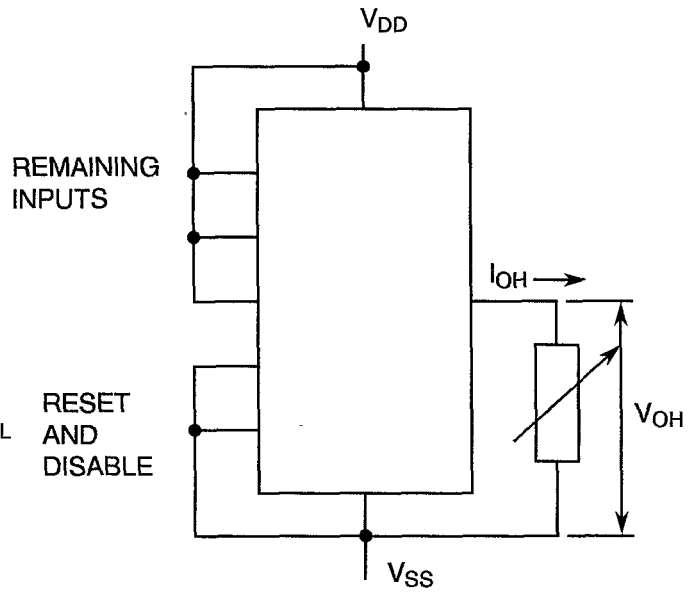
FIGURE 4(g) - LOW LEVEL OUTPUT CURRENT



NOTES

1. Each output to be tested separately.

FIGURE 4(h) - HIGH LEVEL OUTPUT CURRENT



NOTES

1. Each output to be tested separately.

FIGURE 4(i) - OUTPUT LEAKAGE CURRENT THIRD STATE

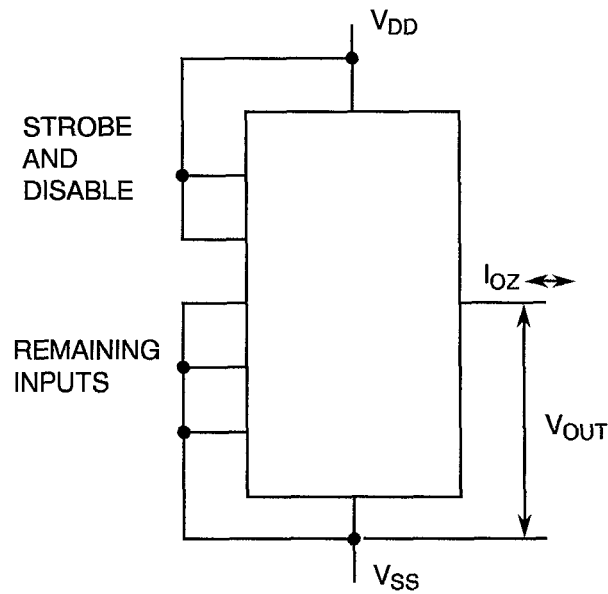




FIGURE 4 - CIRCUITS FOR ELECTRICAL MEASUREMENTS (CONTINUED)

FIGURE 4(j) - THRESHOLD VOLTAGE N-CHANNEL

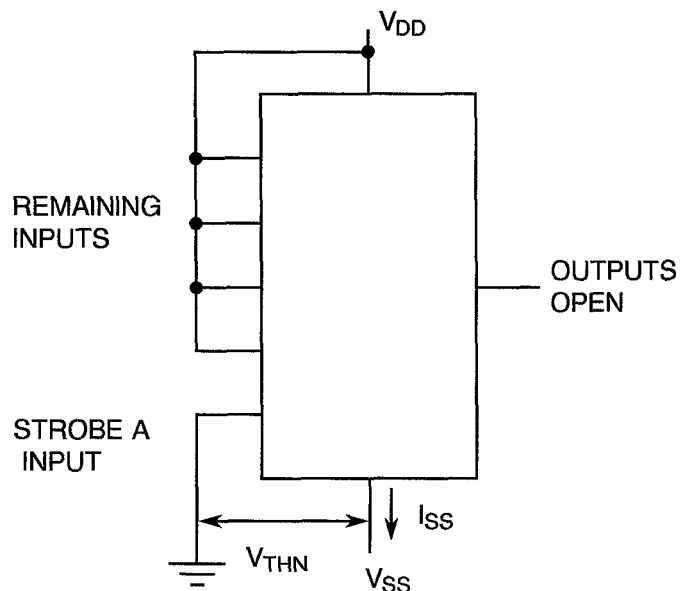


FIGURE 4(k) - THRESHOLD VOLTAGE P-CHANNEL

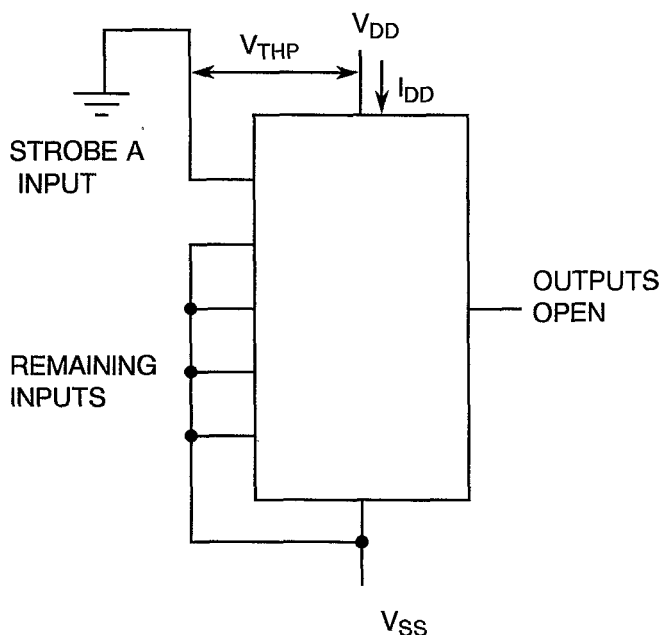
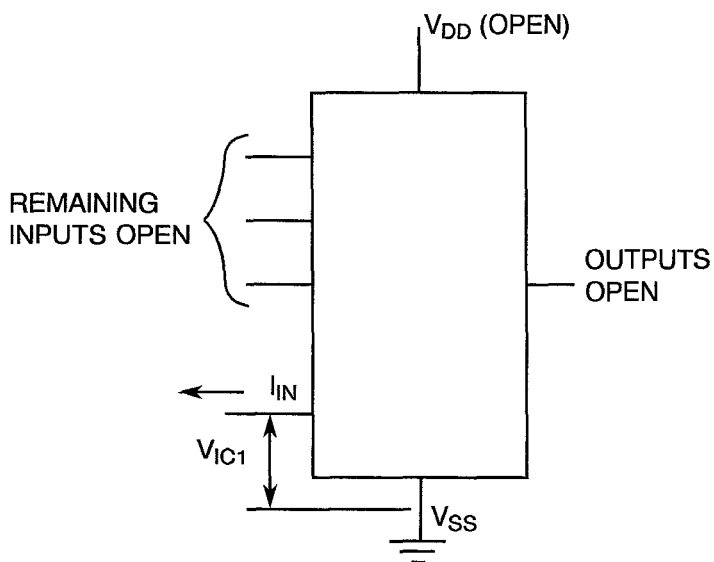


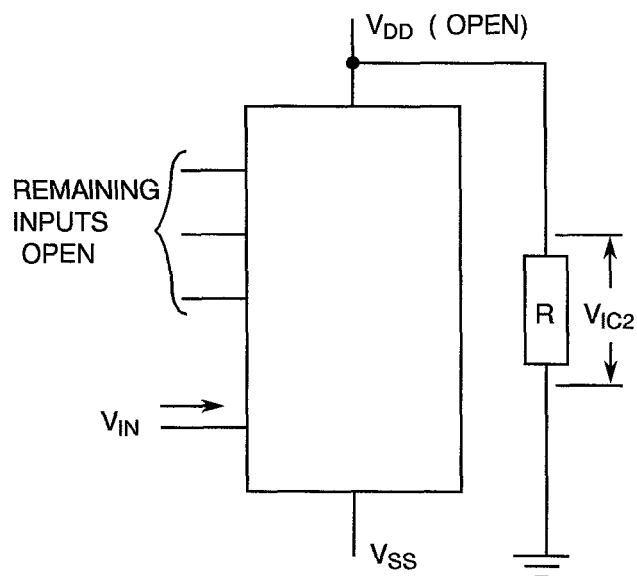
FIGURE 4(l) - INPUT CLAMP VOLTAGE (VSS)



NOTES

- 1. Each output to be tested separately.

FIGURE 4(m) - INPUT CLAMP VOLTAGE (VDD)

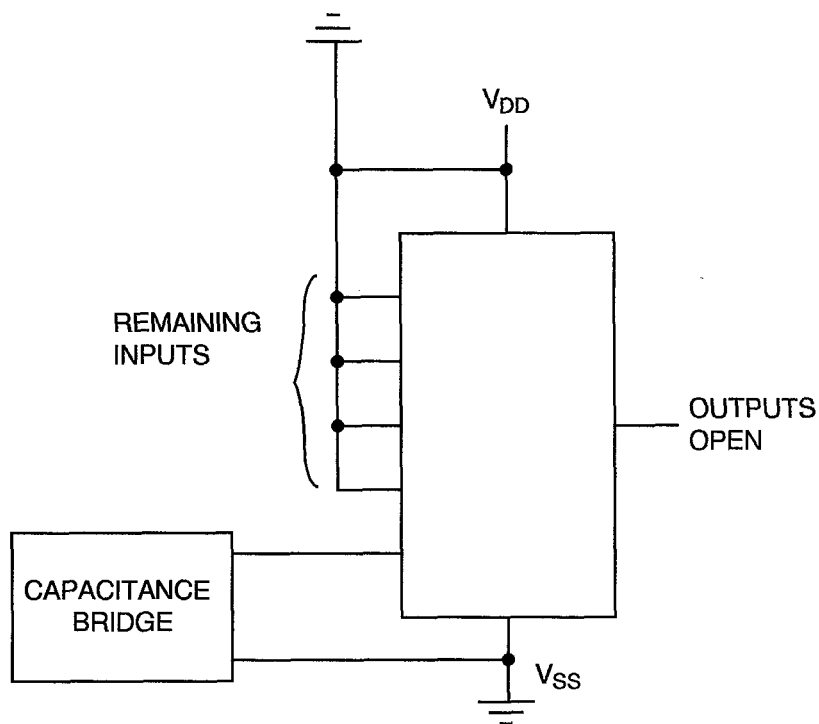


NOTES

- 1. Each output to be tested separately.

FIGURE 4 - CIRCUITS FOR ELECTRICAL MEASUREMENTS (CONTINUED)

FIGURE 4(n) - INPUT CAPACITANCE

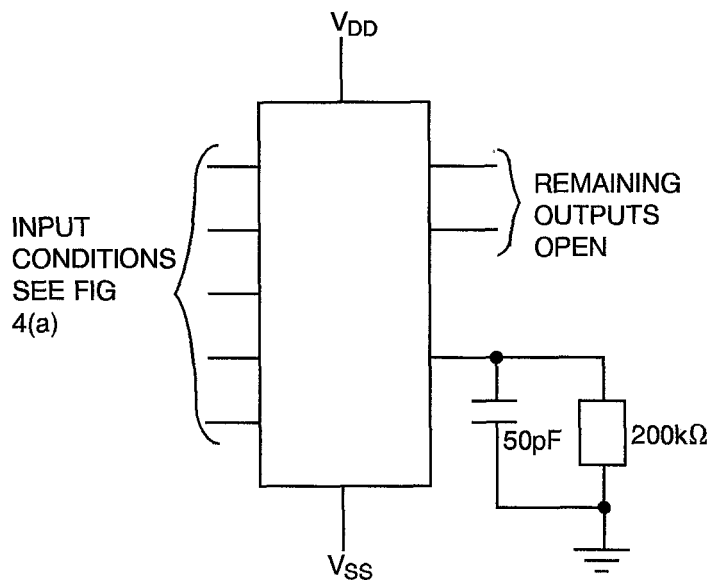


NOTES

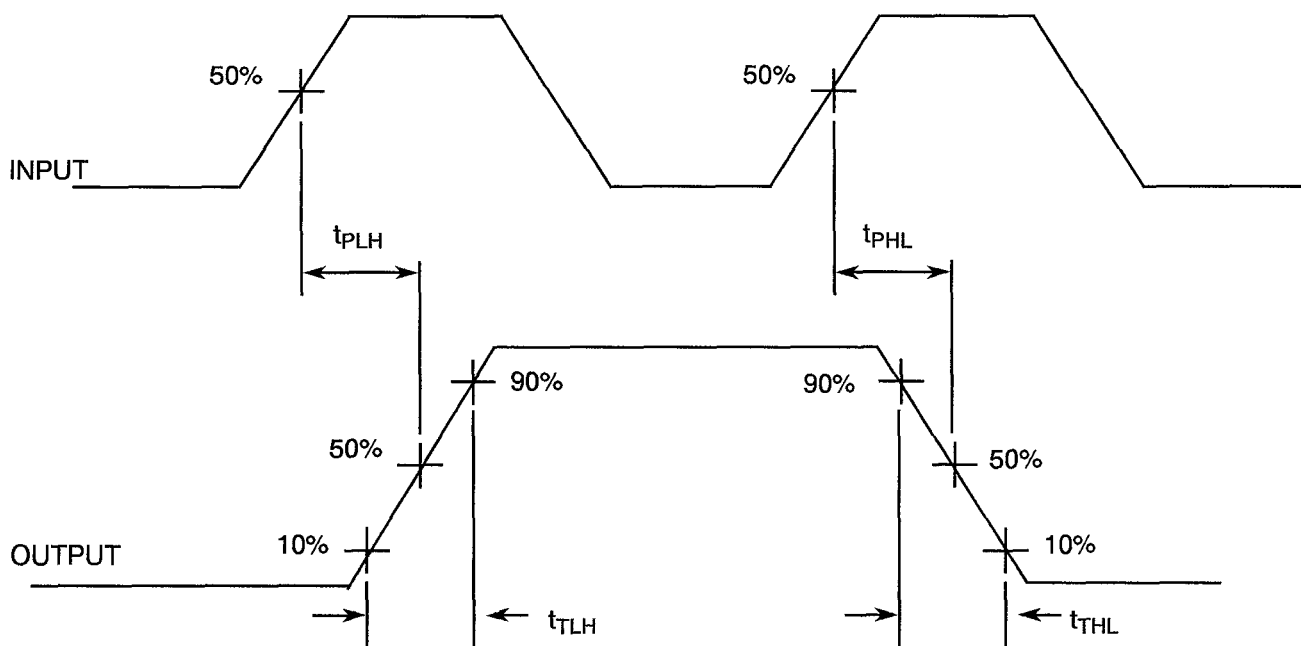
1. Each input to be tested separately.
2. $f = 100\text{kHz to } 1\text{MHz}$

FIGURE 4 - CIRCUITS FOR ELECTRICAL MEASUREMENTS (CONTINUED)

FIGURE 4(o) - PROPAGATION DELAY AND TRANSITION TIME



VOLTAGE WAVEFORMS



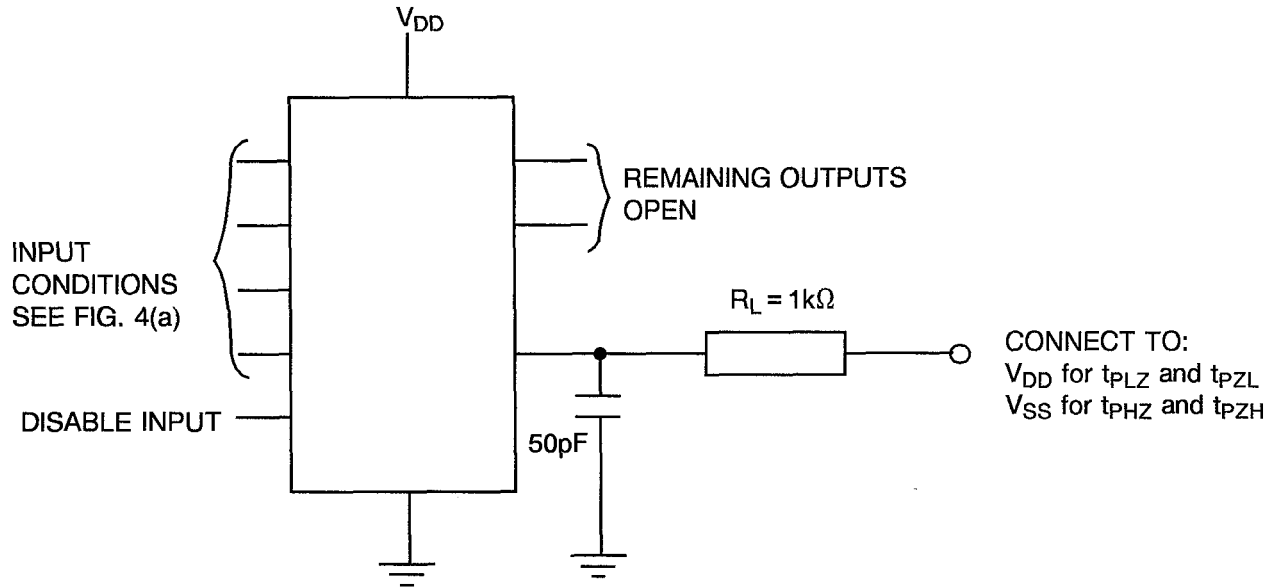
NOTES

1. Pulse Generator - $V_p = 0$ to V_{DD} , t_r and $t_f \leq 15$ ns, $f = 500$ kHz.

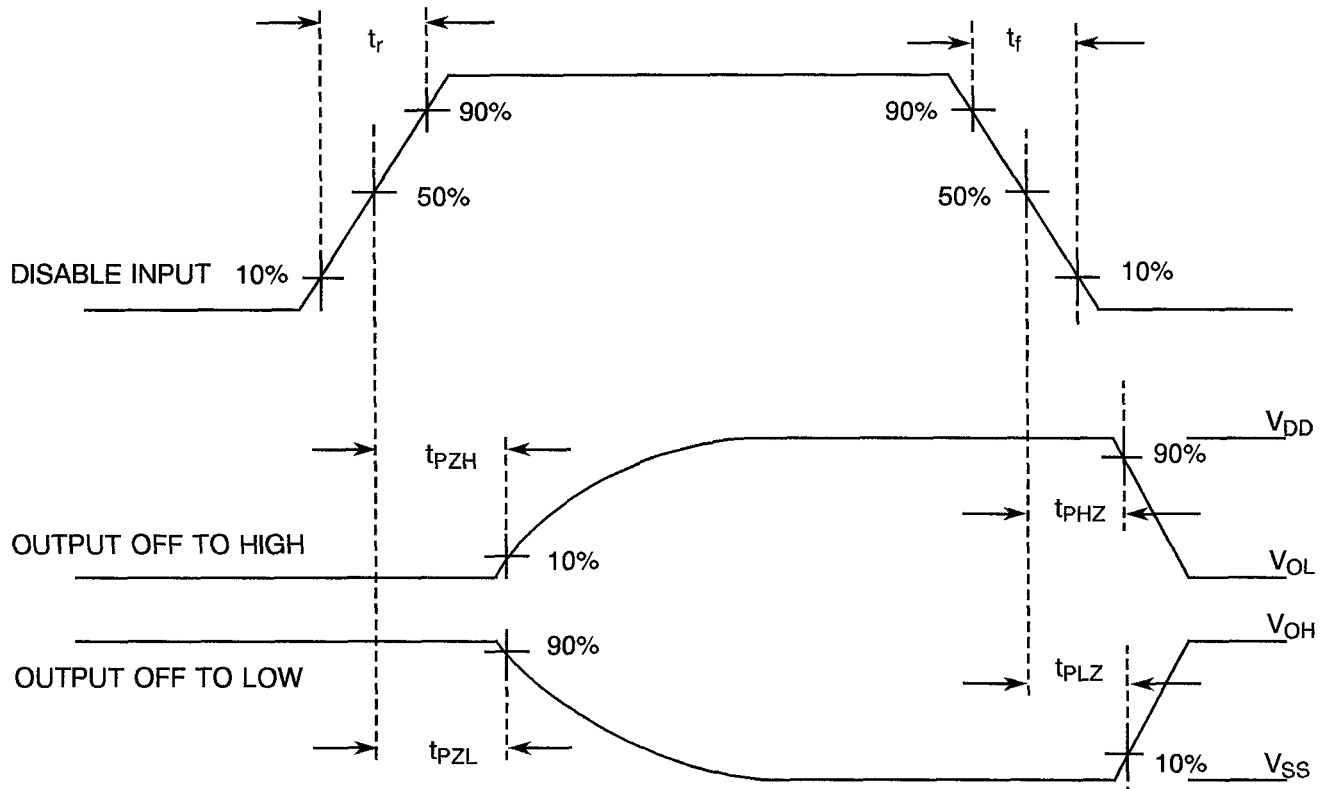


FIGURE 4 - CIRCUITS FOR ELECTRICAL MEASUREMENTS (CONTINUED)

FIGURE 4(p) - PROPAGATION DELAY, DISABLE TO OUTPUT



VOLTAGE WAVEFORMS



NOTES

1. Pulse Generator - $V_P = 0$ to V_{DD} , t_r and $t_f \leq 15ns$, $f = 500KHz$.

TABLE 4 - PARAMETER DRIFT VALUES

NO.	CHARACTERISTICS	SYMBOL	SPEC. AND/OR TEST METHOD	TEST CONDITIONS	CHANGE LIMITS (Δ)	UNIT
3 to 7	Quiescent Current	I_{DD}	As per Table 2	As per Table 2	± 150	nA
52 to 59	Output Drive Current N-Channel	I_{OL1}	As per Table 2	As per Table 2	± 15 (1)	%
68 to 75	Output Drive Current P-Channel	I_{OH1}	As per Table 2	As per Table 2	± 15 (1)	%
84 to 91	Output Leakage Current Third State (1)	I_{OZ1}	As per Table 2	As per Table 2	± 60	nA
92 to 99	Output Leakage Current Third State (2)	I_{OZ2}	As per Table 2	As per Table 2	± 60	nA
102	Threshold Voltage N-Channel	V_{THN}	As per Table 2	As per Table 2	± 0.3	V
103	Threshold Voltage P-Channel	V_{THP}	As per Table 2	As per Table 2	± 0.3	V

NOTES

1. Percentage of limit value if voltage is the measurement function.

**TABLE 5(a) - CONDITIONS FOR BURN-IN HIGH TEMPERATURE REVERSE BIAS, N-CHANNELS**

NO.	CHARACTERISTICS	SYMBOL	CONDITION	UNIT
1	Ambient Temperature	T_{amb}	+ 125 (+ 0 -5)	°C
2	Outputs - (Pins D/F 5-7-9-11-17-19-21-23) (Pins C 6-8-10-13-20-22-24-27)	V_{OUT}	Open	-
3	Inputs - (Pins D/F 1-3-4-6-8-10-13-15) (Pins C 1-3-5-7-9-12-15-17)	V_{IN}	Ground	Vdc
4	Inputs - (Pins D/F 2-14-16-18-20-22) (Pins C 2-16-19-21-23-26)	V_{IN}	V_{DD}	Vdc
5	Positive Supply Voltage (Pin D/F 24) (Pin C 28)	V_{DD}	15	Vdc
6	Negative Supply Voltage (Pin D/F 12) (Pin C 14)	V_{SS}	Ground	Vdc

NOTES

1. Input Load = Protection Resistor = 2k Ω minimum to 47k Ω maximum.

TABLE 5(b) - CONDITIONS FOR BURN-IN HIGH TEMPERATURE REVERSE BIAS, P-CHANNELS

NO.	CHARACTERISTICS	SYMBOL	CONDITION	UNIT
1	Ambient Temperature	T_{amb}	+ 125 (+ 0 -5)	°C
2	Outputs - (Pins D/F 5-7-9-11-17-19-21-23) (Pins C 6-8-10-13-20-22-24-27)	V_{OUT}	Open	-
3	Inputs - (Pins D/F 1-3-4-6-8-10-13-15) (Pins C 1-3-5-7-9-12-15-17)	V_{IN}	V_{DD}	Vdc
4	Inputs - (Pins D/F 2-14-16-18-20-22) (Pins C 2-16-19-21-23-26)	V_{IN}	Ground	Vdc
5	Positive Supply Voltage (Pin D/F 24) (Pin C 28)	V_{DD}	15	Vdc
6	Negative Supply Voltage (Pin D/F 12) (Pin C 14)	V_{SS}	Ground	Vdc

NOTES

1. Input Load = Protection Resistor = 2k Ω minimum to 47k Ω maximum.

**TABLE 5(c) - CONDITIONS FOR BURN-IN DYNAMIC**

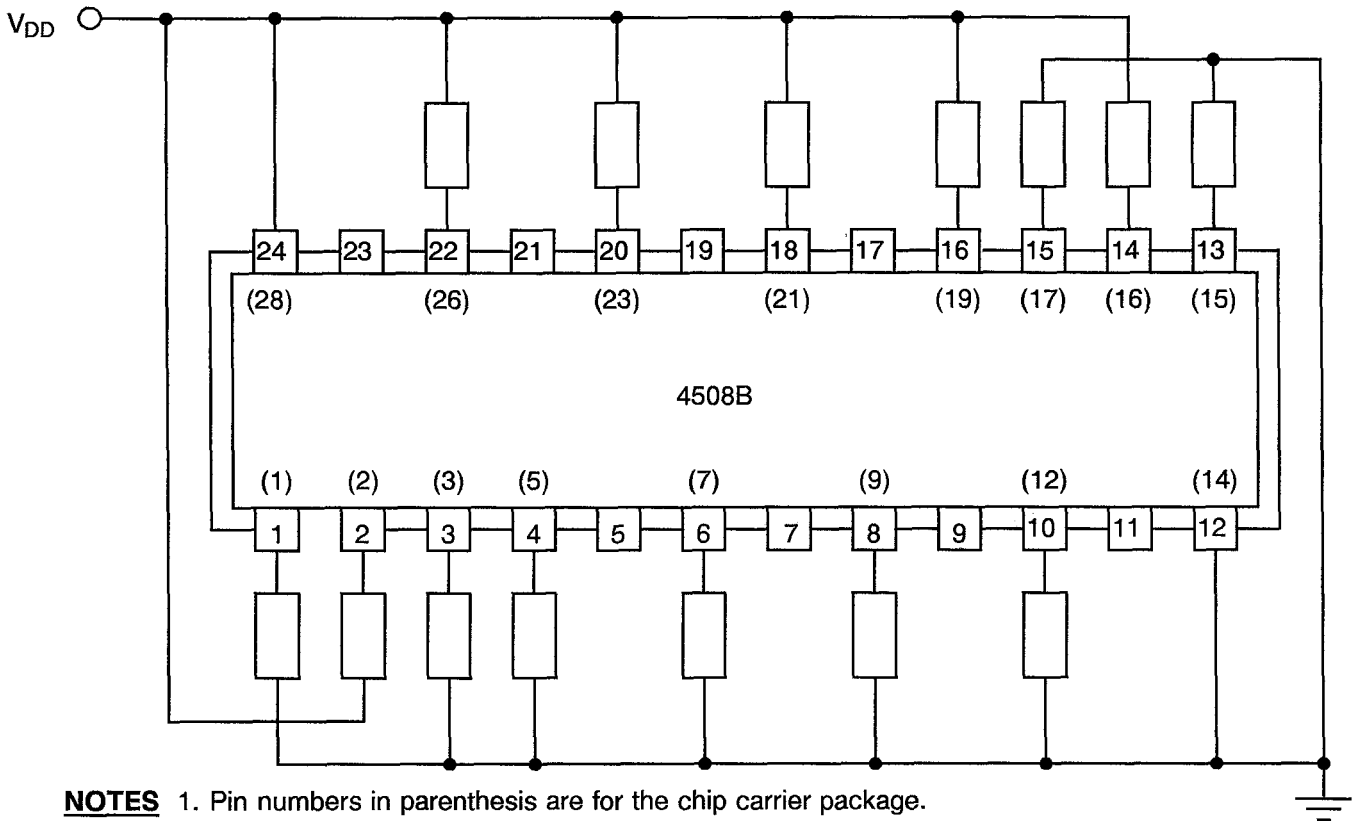
NO.	CHARACTERISTICS	SYMBOL	CONDITION	UNIT
1	Ambient Temperature	T_{amb}	+ 125 (+0 -5)	°C
2	Outputs - (Pins D/F 5-7-9-11-17-19-21-23) (Pins C 6-8-10-13-20-22-24-27)	V_{OUT}	$V_{DD}/2$	Vdc
3	Inputs - (Pins D/F 1-13) (Pins C 1-15)	V_{IN}	Ground	Vdc
4	Inputs - (Pins D/F 2-14) (Pins C 2-16)	V_{IN}	V_{DD}	Vdc
5	Inputs - (Pins D/F 4-6-8-10-16-18-20-22) (Pins C 5-7-9-12-19-21-23-26)	V_{IN}	V_{GEN1}	Vac
6	Inputs - (Pins D/F 3-15) (Pins C 3-17)	V_{IN}	V_{GEN2}	Vac
7	Pulse Voltage	V_{GEN}	0 to V_{DD}	Vac
8	Pulse Frequency Square Wave	f_{GEN1}	25k, 50% Duty Cycle	Hz
9	Pulse Frequency Square Wave	f_{GEN2}	50k, 50% Duty Cycle	Hz
10	Positive Supply Voltage (Pin D/F 24) (Pin C 28)	V_{DD}	15	Vdc
11	Negative Supply Voltage (Pin D/F 12) (Pin C 14)	V_{SS}	Ground	Vdc

NOTES

1. Input Load = Protection Resistor = 2k Ω minimum to 47k Ω maximum.

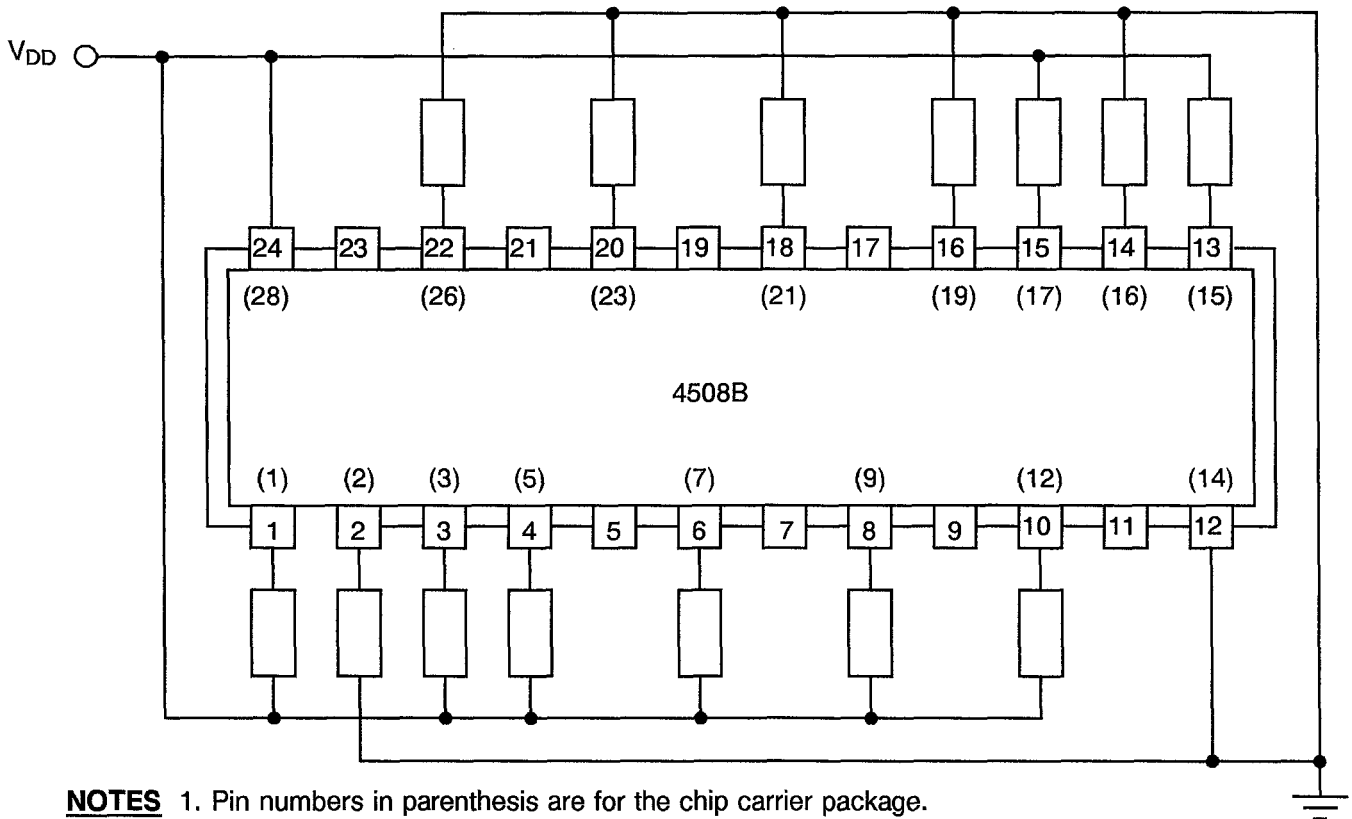


FIGURE 5(a) - ELECTRICAL CIRCUIT FOR BURN-IN HIGH TEMPERATURE REVERSE BIAS, N-CHANNELS

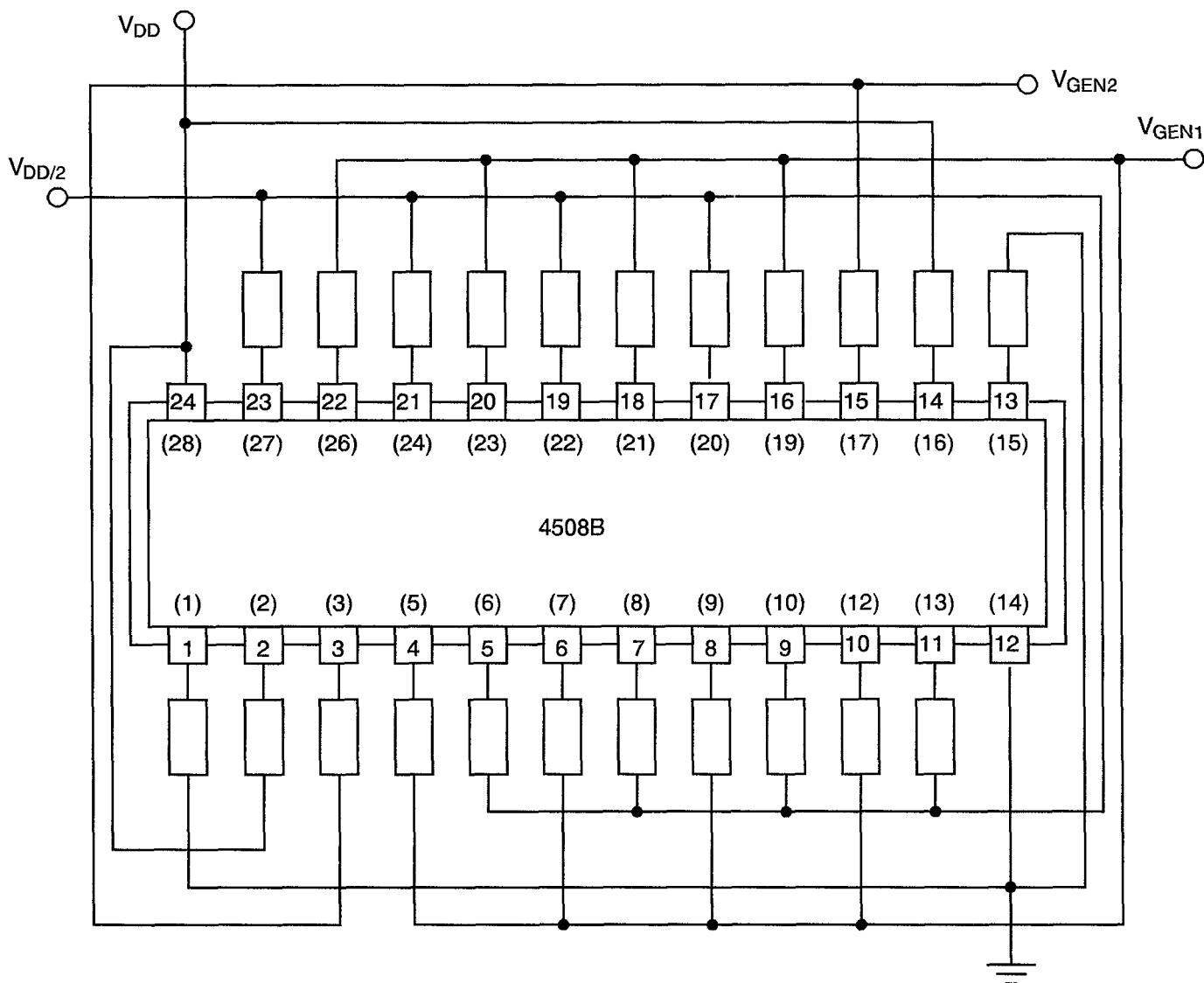


NOTES 1. Pin numbers in parenthesis are for the chip carrier package.

FIGURE 5(b) - ELECTRICAL CIRCUIT FOR BURN-IN HIGH TEMPERATURE REVERSE BIAS, P-CHANNELS



NOTES 1. Pin numbers in parenthesis are for the chip carrier package.

FIGURE 5(c) - ELECTRICAL CIRCUIT FOR BURN-IN DYNAMIC


NOTES 1. Pin numbers in parenthesis are for the chip carrier package.



4.8 ENVIRONMENTAL AND ENDURANCE TESTS

4.8.1 Electrical Measurements on Completion of Environmental Tests

The parameters to be measured on completion of environmental tests are scheduled in Table 6. Unless otherwise stated, the measurements shall be performed at $T_{amb} = +22 \pm 3$ °C.

4.8.2 Electrical Measurements at Intermediate Points during Endurance Tests

The parameters to be measured at intermediate points during endurance tests are as scheduled in Table 6 of this specification.

4.8.3 Electrical Measurements on Completion of Endurance Tests

The parameters to be measured on completion of endurance testing are as scheduled in Table 6 of this specification. Unless otherwise stated, the measurements shall be performed at $T_{amb} = +22 \pm 3$ °C.

4.8.4 Conditions for Operating Life Test

The requirements for operating life testing are specified in Section 9 of ESA/SCC Generic Specification No. 9000. The conditions for operating life testing shall be as specified in Table 5(c) of this specification.

4.8.5 Electrical Circuits for Operating Life Tests

Circuits for use in performing the operating life tests are shown in Figure 5(c) of this specification.

4.8.6 Conditions for High Temperature Storage Test

The requirements for the high temperature storage test are specified in ESA/SCC Generic Specification No. 9000. The temperature to be applied shall be the maximum storage temperature specified in Table 1(b) of this specification.

TABLE 6 - ELECTRICAL MEASUREMENTS ON COMPLETION OF ENVIRONMENTAL TESTS AND AT INTERMEDIATE POINTS AND ON COMPLETION OF ENDURANCE TESTING

NO.	CHARACTERISTICS	SYMBOL	SPEC. AND/OR TEST METHOD	TEST CONDITIONS	CHANGE LIMITS (Δ)			UNIT
						MIN	MAX	
1	Functional Test	-	As per Table 2	As per Table 2	-	-	-	-
3 to 7	Quiescent Current	I_{DD}	As per Table 2	As per Table 2	± 150	-	-	nA
8 to 21	Input Current Low Level	I_{IL}	As per Table 2	As per Table 2	-	-	-50	nA
22 to 35	Input Current High Level	I_{IH}	As per Table 2	As per Table 2	-	-	50	nA
36 to 43	Output Voltage Low Level	V_{OL}	As per Table 2	As per Table 2	-	-	0.05	V
44 to 51	Output Voltage High Level	V_{OH}	As per Table 2	As per Table 2	-	14.95	-	V
52 to 59	Output Drive Current N-Channel	I_{OL1}	As per Table 2	As per Table 2	± 15 (1)	-	-	%
60 to 67	Output Drive Current N-Channel	I_{OL2}	As per Table 2	As per Table 2	± 15 (1)	-	-	%
68 to 75	Output Drive Current P-Channel	I_{OH1}	As per Table 2	As per Table 2	± 15 (1)	-	-	%
76 to 83	Output Drive Current P-Channel	I_{OH2}	As per Table 2	As per Table 2	± 15 (1)	-	-	%
84 to 91	Output Leakage Current Third State (1)	I_{OZ1}	As per Table 2	As per Table 2	± 60	-	-	nA
92 to 99	Output Leakage Current Third State (2)	I_{OZ2}	As per Table 2	As per Table 2	± 60	-	-	nA

NOTES

1. Percentage of limit value if voltage is the measurement function.

**TABLE 6 - ELECTRICAL MEASUREMENTS ON COMPLETION OF ENVIRONMENTAL TESTS AND AT INTERMEDIATE POINTS AND ON COMPLETION OF ENDURANCE TESTING (CONTINUED)**

NO	CHARACTERISTICS	SYMBOL	SPEC. AND/OR TEST METHOD	TEST CONDITIONS	CHANGE LIMITS (Δ)			UNIT
						MIN	MAX	
100	Input Voltage Low Level (Noise Immunity) (Functional Test)	V_{IL1}	As per Table 2	As per Table 2	-	4.5	-	V
	Input Voltage High Level (Noise Immunity) (Functional Test)	V_{IH1}			-	-	0.5	
102	Threshold Voltage N-Channel	V_{THN}	As per Table 2	As per Table 2	± 0.3	-		V
103	Threshold Voltage P-Channel	V_{THP}	As per Table 2	As per Table 2	± 0.3	-		V

**SCC**ESA/SCC Detail Specification
No. 9202/063

Rev. 'B'

PAGE 47
ISSUE 2**APPENDIX 'A'**

Page 1 of 1

AGREED DEVIATIONS FOR STMICROELECTRONICS (F)

ITEMS AFFECTED	DESCRIPTION OF DEVIATION
Para. 4.2.3	Para. 9.23, High Temperature Reverse Bias Burn-in: The temperature limits of MIL-STD-883, Para. 4.5.8(c) may be used. Para. 9.24, Power Burn-in: The temperature limits of MIL-STD-883, Para. 4.5.8(c) may be used.
Para. 4.2.4	Para. 9.21.1, Operating Life during Qualification Testing: The temperature limits of MIL-STD-883, Para. 4.5.8(c) may be used.
Para. 4.2.5	Para. 9.21.2, Operating Life during Lot Acceptance Testing: The temperature limits of MIL-STD-883, Para. 4.5.8(c) may be used.