



europaean space agency
agence spatiale européenne

Pages 1 to 45

**INTEGRATED CIRCUITS, SILICON MONOLITHIC,
CMOS 4-BIT ARITHMETIC LOGIC UNIT,
BASED ON TYPE 40181B
ESA/SCC Detail Specification No. 9202/068**



**space components
coordination group**

Issue/Rev.	Date	Approved by	
		SCCG Chairman	ESA Director General or his Deputy
Issue 1	March 1993		
Revision 'A'	July 1994		
Revision 'B'	April 2001		

**SCC**

ESA/SCC Detail Specification
No. 9202/068

Rev. 'B'

PAGE 2

ISSUE 1

DOCUMENTATION CHANGE NOTICE

Rev. Letter	Rev. Date	Reference	CHANGE Item	Approved DCR No.
'A'	July '94	Cover Page DCN		None
		P6. Table 1(a)	: Lead Material and/or Finish amended	221049
		P16. Para. 4.3.2	: Weights amended	23539
		Para. 4.4.2	: Lead Finish, Types amended	221049
'B'	Apr. '01	P1. Cover Page	: Page count increased by 1	221602
		P2. DCN		None
		P4. T of C	: Appendices entry amended	221602
		P5. Para. 1.3	: New sentence added	221602
		P6. Table 1(a)	: Variants 08 and 09 added	221562
		Table 1(b)	: No. 8, Maximum temperature amended	221602
		P9. Figure 2(c)	: In the drawing, Pin No. 28 location corrected	221550
		P10. Notes to Figures	: Title amended	221562
			: Note 1 rewritten	221562
		P10A. Figure 2(d)	: New page added	221562
		P11. Figure 3(a)	: Left-hand drawing Title amended	221562
			: "SO" added to comparison Titles	221562
		P16. Para. 4.3.2	: SO package added to the text	221562
		Para. 4.4.2	: SO package added to the text	221562
		Para. 4.5.2	: SO package added to the text	221562
		P43. Para. 4.8.6	: Last sentence deleted, new text added	221602
		P45. Appendix 'A'	: Appendix added	221602

TABLE OF CONTENTS

		<u>Page</u>
1.	<u>GENERAL</u>	5
1.1	Scope	5
1.2	Component Type Variants	5
1.3	Maximum Ratings	5
1.4	Parameter Derating Information	5
1.5	Physical Dimensions	5
1.6	Pin Assignment	5
1.7	Truth Table	5
1.8	Circuit Schematic	5
1.9	Functional Diagram	5
1.10	Handling Precautions	5
1.11	Input Protection Network	5
2.	<u>APPLICABLE DOCUMENTS</u>	15
3.	<u>TERMS, DEFINITIONS, ABBREVIATIONS, SYMBOLS AND UNITS</u>	15
4.	<u>REQUIREMENTS</u>	15
4.1	General	15
4.2	Deviations from Generic Specification	15
4.2.1	Deviations from Special In-process Controls	15
4.2.2	Deviations from Final Production Tests	15
4.2.3	Deviations from Burn-in Tests	15
4.2.4	Deviations from Qualification, Environmental and Endurance Tests	15
4.2.5	Deviations from Lot Acceptance Tests	16
4.3	Mechanical Requirements	16
4.3.1	Dimension Check	16
4.3.2	Weight	16
4.4	Materials and Finishes	16
4.4.1	Case	16
4.4.2	Lead Material and Finish	16
4.5	Marking	16
4.5.1	General	16
4.5.2	Lead Identification	16
4.5.3	The SCC Component Number	17
4.5.4	Traceability Information	17
4.6	Electrical Measurements	17
4.6.1	Electrical Measurements at Room Temperature	17
4.6.2	Electrical Measurements at High and Low Temperatures	17
4.6.3	Circuits for Electrical Measurements	17
4.7	Burn-in Tests	17
4.7.1	Parameter Drift Values	17
4.7.2	Conditions for H.T.R.B. and Power Burn-in	17
4.7.3	Electrical Circuits for H.T.R.B. and Power Burn-in	17
4.8	Environmental and Endurance Tests	43
4.8.1	Electrical Measurements on Completion of Environmental Tests	43
4.8.2	Electrical Measurements at Intermediate Points during Endurance Tests	43
4.8.3	Electrical Measurements on Completion of Endurance Tests	43
4.8.4	Conditions for Operating Life Test	43
4.8.5	Electrical Circuits for Operating Life Tests	43
4.8.6	Conditions for High Temperature Storage Test	43

**TABLES**Page

1(a)	Type Variants	6
1(b)	Maximum Ratings	6
2	Electrical Measurements at Room Temperature, d.c. parameters	18
	Electrical Measurements at Room Temperature, a.c. parameters	21
3(a)	Electrical Measurements at High Temperature	24
3(b)	Electrical Measurements at Low Temperature	27
4	Parameter Drift Values	38
5(a)	Conditions for Burn-in High Temperature Reverse Bias, N-Channels	39
5(b)	Conditions for Burn-in High Temperature Reverse Bias, P-Channels	39
5(c)	Conditions for Power Burn-in and Operating Life Tests	40
6	Electrical Measurements on Completion of Environmental Tests and at Intermediate Points and on Completion of Endurance Testing	44

FIGURES

1	Not applicable	
2	Physical Dimensions	7
3(a)	Pin Assignment	11
3(b)	Truth Table	12
3(c)	Circuit Schematic	13
3(d)	Functional Diagram	14
3(e)	Input Protection Network	14
4	Circuits for Electrical Measurements	30
5(a)	Electrical Circuit for Burn-in High Temperature Reverse Bias, N-Channels	41
5(b)	Electrical Circuit for Burn-in High Temperature Reverse Bias, P-Channels	41
5(c)	Electrical Circuit for Power Burn-in and Operating Life Tests	42

APPENDICES (Applicable to specific Manufacturers only)

'A'	Agreed Deviations for STMicroelectronics (F)	45
-----	--	----

**1. GENERAL****1.1 SCOPE**

This specification details the ratings, physical and electrical characteristics, test and inspection data for a silicon monolithic, CMOS 4-Bit Arithmetic Logic Unit, having fully buffered outputs, based on Type 40181B. It shall be read in conjunction with ESA/SCC Generic Specification No. 9000, the requirements of which are supplemented herein.

1.2 COMPONENT TYPE VARIANTS

Variants of the basic type integrated circuits specified herein, which are also covered by this specification, are given in Table 1(a).

1.3 MAXIMUM RATINGS

The maximum ratings, which shall not be exceeded at any time during use or storage, applicable to the integrated circuits specified herein, are as scheduled in Table 1(b).

Maximum ratings shall only be exceeded during testing to the extent specified in this specification and when stipulated in Test Methods and Procedures of the applicable ESA/SCC Generic Specification.

1.4 PARAMETER DERATING INFORMATION (FIGURE 1)

Not applicable.

1.5 PHYSICAL DIMENSIONS

The physical dimensions of the integrated circuits specified herein are shown in Figure 2.

1.6 PIN ASSIGNMENT

As per Figure 3(a).

1.7 TRUTH TABLE

As per Figure 3(b).

1.8 CIRCUIT SCHEMATIC

As per Figure 3(c).

1.9 FUNCTIONAL DIAGRAM

As per Figure 3(d).

1.10 HANDLING PRECAUTIONS

These devices are susceptible to damage by electrostatic discharge. Therefore, suitable precautions shall be employed for protection during all phases of manufacture, testing, packaging, shipment and any handling. These components are Categorised as Class 1 with a Minimum Critical Path Failure Voltage of 400 Volts.

1.11 INPUT PROTECTION NETWORK

Double diode protection shall be incorporated into each input as shown in Figure 3(e).



TABLE 1(a) - TYPE VARIANTS

VARIANT	CASE	FIGURE	LEAD MATERIAL AND/OR FINISH
01	FLAT	2(a)	G2 or G8
02	FLAT	2(a)	G4
03	D.I.L.	2(b)	G2 or G8
04	D.I.L.	2(b)	G4
07	CHIP CARRIER	2(c)	2
08	SO CERAMIC	2(d)	G2
09	SO CERAMIC	2(d)	G4

TABLE 1(b) - MAXIMUM RATINGS

No.	CHARACTERISTICS	SYMBOL	MAXIMUM RATINGS	UNIT	REMARKS
1	Supply Voltage	V_{DD}	-0.5 to +18	V	Note 1
2	Input Voltage	V_{IN}	-0.5 to $V_{DD} + 0.5$	V	Note 2 Power on
3	D.C. Input Current	$\pm I_{IN}$	10	mA	-
4	D.C. Output Current	$\pm I_O$	10	mA	Note 3
5	Device Dissipation	P_D	200	mWdc	Per Package
6	Output Dissipation	P_{DSO}	100	mWdc	Note 4
7	Operating Temperature Range	T_{op}	-55 to +125	°C	-
8	Storage Temperature Range	T_{stg}	-65 to +150	°C	-
9	Soldering Temperature For FP and DIP For CCP	T_{sol}	+300 +245	°C	Note 5 Note 6

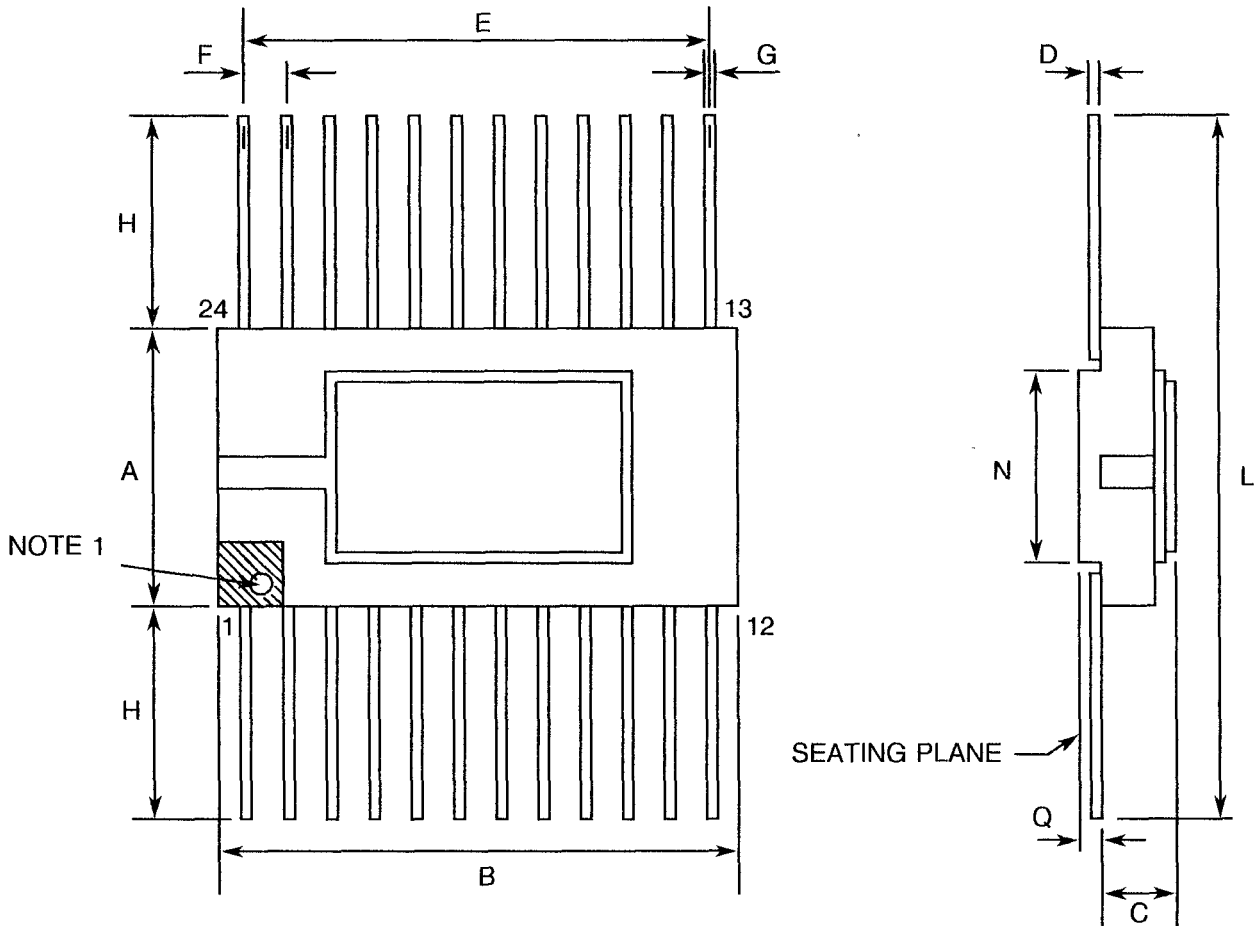
NOTES

1. Device is functional from +3V to +15V with reference to V_{SS} .
2. $V_{DD} + 0.5V$ should not exceed +18V.
3. The maximum output current of any single output.
4. The maximum power dissipation of any single output.
5. Duration 10 seconds maximum at a distance of not less than 1.5mm from the device body and the same lead shall not be resoldered until 3 minutes have elapsed.
6. Duration 30 seconds maximum and the same terminal shall not be resoldered until 3 minutes have elapsed.



FIGURE 2 - PHYSICAL DIMENSIONS

FIGURE 2(a) - FLAT PACKAGE, 24-PIN



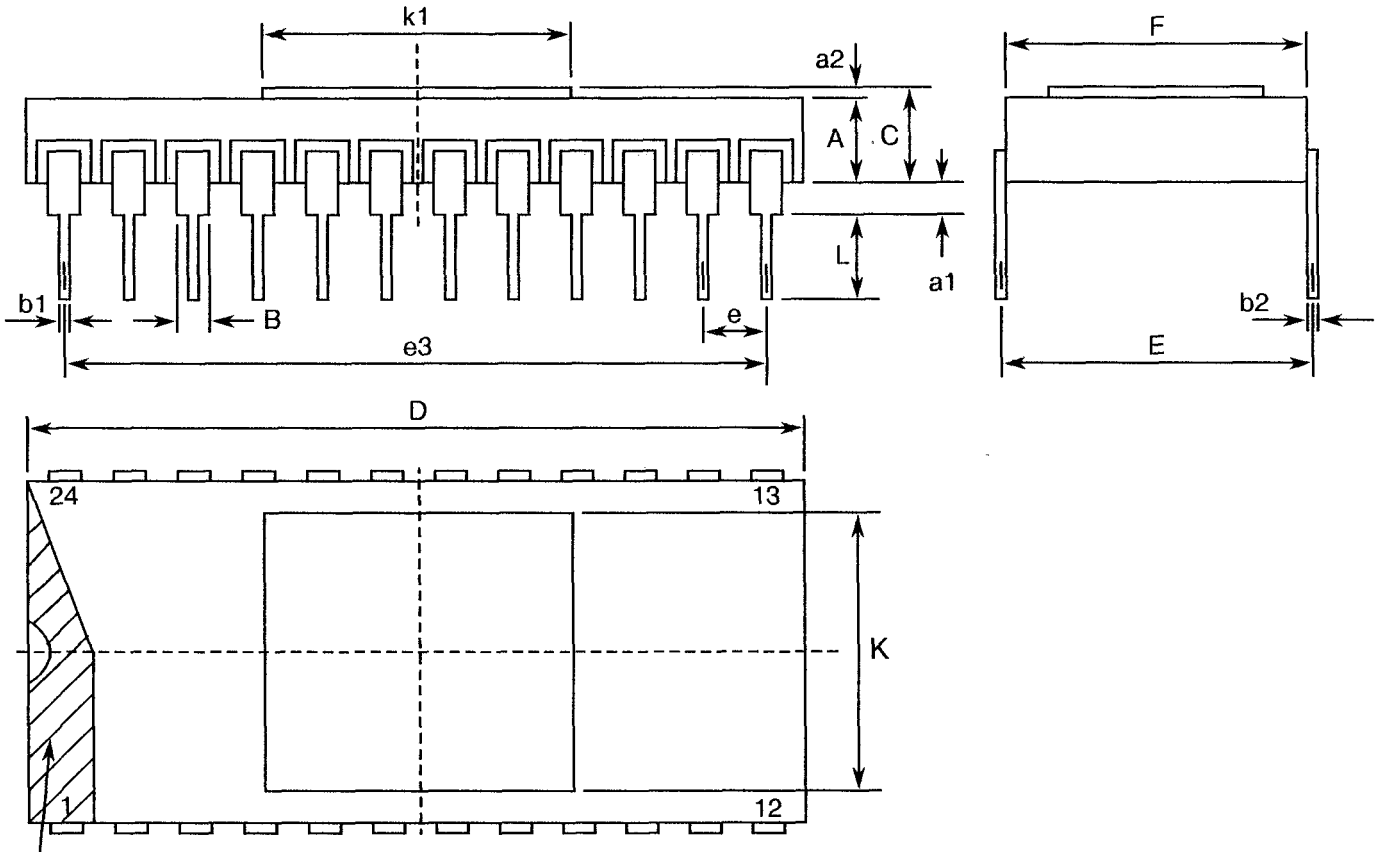
SYMBOL	MILLIMETRES		NOTES
	MIN	MAX	
A	10.70	11.30	
B	15.30	15.70	
C	1.45	1.90	
D	0.23	0.30	
E	13.84	14.10	
F	1.22	1.32	4
G	0.45	0.55	3
H	7.25	8.25	
L	25.00	28.00	
N	7.00	TYPICAL	
Q	0.45	0.55	2

NOTES: See Page 10.



FIGURE 2 - PHYSICAL DIMENSIONS (CONTINUED)

FIGURE 2(b) - DUAL-IN-LINE PACKAGE, 24-PIN



NOTE 1

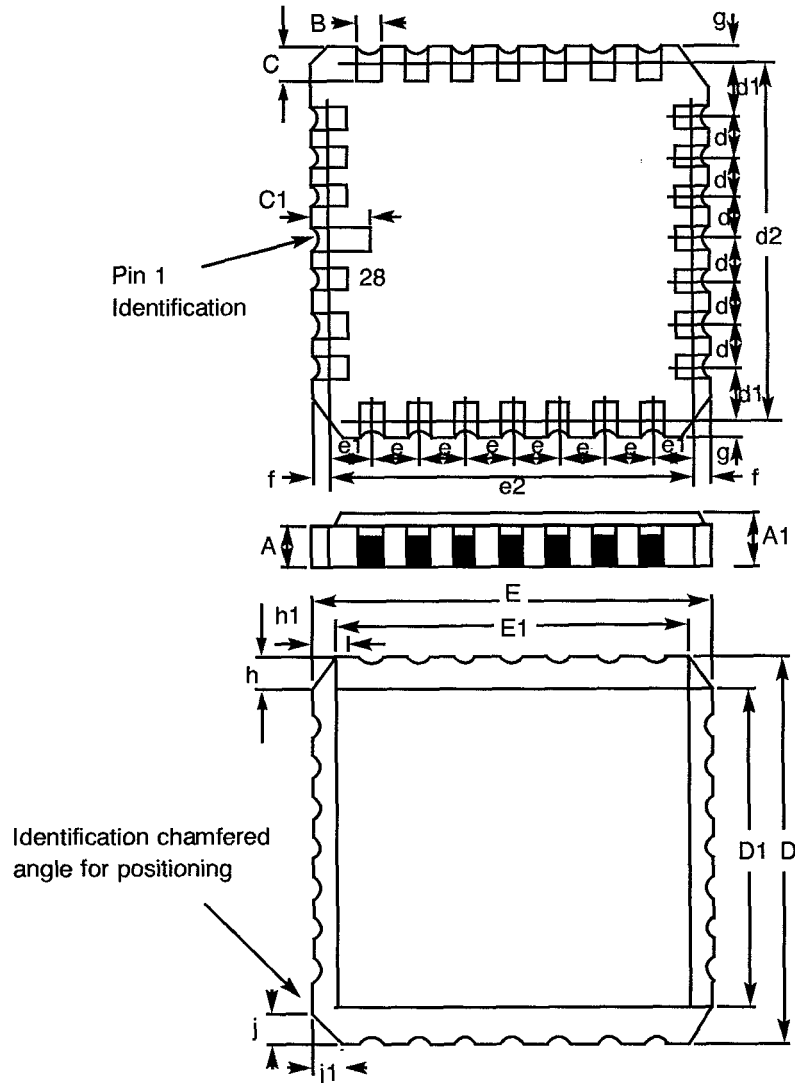
SYMBOL	MILLIMETRES		NOTES
	MIN	MAX	
A	1.931	2.387	
a_1	1.016	1.524	2
a_2	0.274	0.340	
B	1.274	TYPICAL	3
b_1	0.407	0.507	3
b_2	0.229	0.304	3
C	2.205	2.727	
D	30.176	30.784	
E	14.986	15.494	
e	2.413	2.667	4
e_3	27.813	28.067	
F	14.859	15.367	
L	3.000	3.800	
K	12.600	13.000	
k_1	12.600	13.000	

NOTES: See Page 10.



FIGURE 2 - PHYSICAL DIMENSIONS (CONTINUED)

FIGURE 2(c) - CHIP CARRIER - 28-TERMINAL



DIMENSIONS	MILLIMETRES		NOTES
	MIN	MAX	
A	1.14	1.95	
A1	1.63	2.36	
B	0.55	0.72	3
C	1.06	1.47	3
C ₁	1.91	2.41	
D	8.67	9.09	
D1	7.21	7.52	
d, d1	1.27	TYPICAL	4
d2	7.62	TYPICAL	
E	8.67	9.09	
E1	7.21	7.52	
e, e1	1.27	TYPICAL	4
e2	7.62	TYPICAL	
f, g	-	0.76	
h, h1	1.01	TYPICAL	6
j, j1	0.51	TYPICAL	5

NOTES: See Page 10.

**SCC**ESA/SCC Detail Specification
No. 9202/068

Rev. 'B'

PAGE 10
ISSUE 1**FIGURE 2 - PHYSICAL DIMENSIONS (CONTINUED)****NOTES TO FIGURES 2(a) TO 2(d) INCLUSIVE**

1. Index area; a notch, letter, metallised tab or dot shall be located adjacent to Pin 1 or 2 and shall be within the shaded area shown.

For chip carrier packages the index shall be as defined in Figure 2(c).

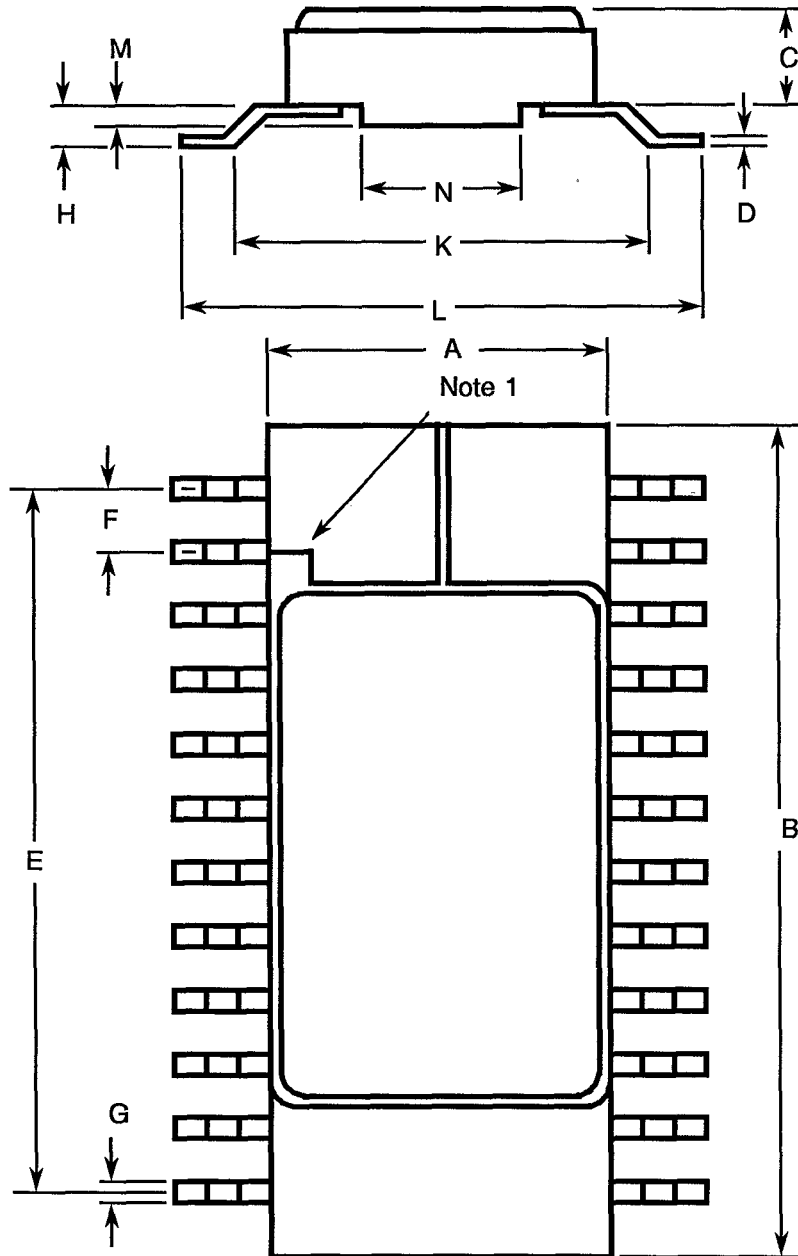
For SO packages, a dot shall also be located adjacent to Pin 1 on the bottom of the package.

2. The dimension shall be measured from the seating plane to the base plane.
3. All leads or terminals.
4. 24 pin packages : 22 spaces
28 terminal packages : 16 spaces
5. Index corner only.
6. Three non-index corners.



FIGURE 2 - PHYSICAL DIMENSIONS (CONTINUED)

FIGURE 2(d) - SMALL OUTLINE CERAMIC PACKAGE, 24-PIN



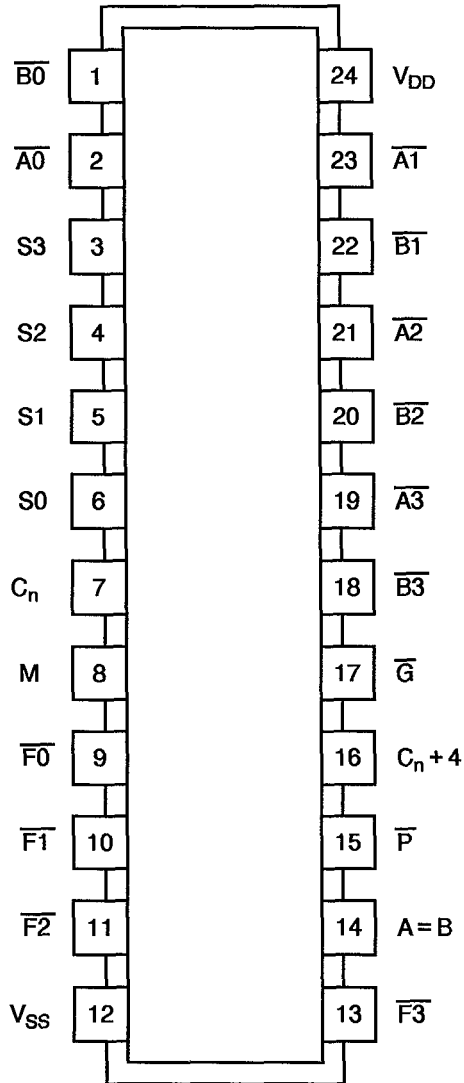
SYMBOL	MILLIMETRES		NOTES
	MIN.	MAX.	
A	7.30	7.60	
B	15.20	15.60	
C	1.58	1.88	
D	0.17	0.23	3
E	13.82	14.12	
F	1.27 TYPICAL		4
G	0.37	0.47	3
H	0.60	0.90	3
K	9.00 TYPICAL		
L	10	10.65	
M	0.55 TYPICAL		
N	4.31 TYPICAL		

NOTES: See Page 10.



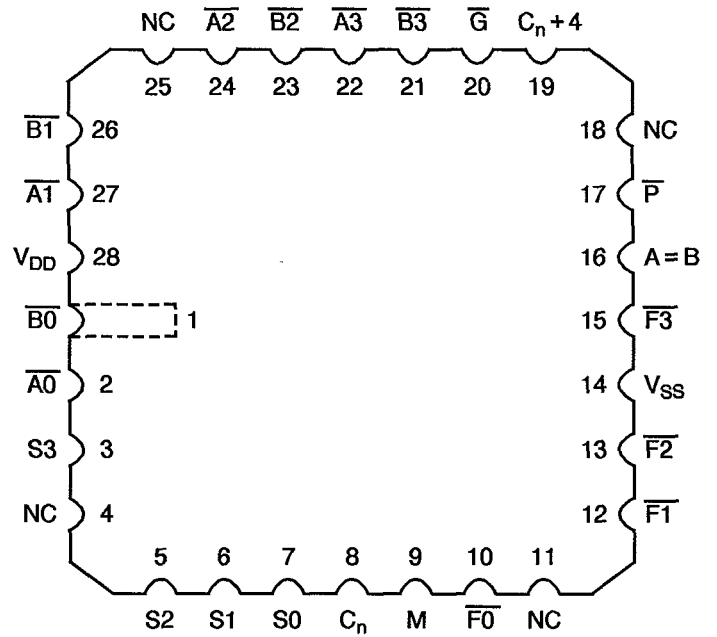
FIGURE 3(a) - PIN ASSIGNMENT

DUAL-IN-LINE, SO AND FLAT PACKAGES



TOP VIEW

CHIP CARRIER PACKAGE



TOP VIEW

FLAT PACKAGE, SO AND DUAL-IN-LINE TO CHIP CARRIER PIN ASSIGNMENT

FLAT PACKAGE, SO AND

DUAL-IN-LINE PIN OUTS 1 2 3 4 5 6 7 8 9 10 11 12 13 14 15 16 17 18 19 20 21 22 23 24

CHIP CARRIER PIN OUTS 1 2 3 5 6 7 8 9 10 12 13 14 15 16 17 19 20 21 22 23 24 26 27 28



FIGURE 3(b) - TRUTH TABLE

FUNCTION SELECT				INPUTS/OUTPUTS ACTIVE LOW		INPUTS/OUTPUTS ACTIVE HIGH	
S3	S2	S1	S0	LOGIC FUNCTION (M=H)	ARITHMETIC (1) FUNCTION (M=L, C _n =L)	LOGIC FUNCTION (M=H)	ARITHMETIC (1) FUNCTION (M=L, C _n =H)
L	L	L	L	\bar{A}	A minus 1	\bar{A}	A
L	L	L	H	$\bar{A}\bar{B}$	AB minus 1	$\overline{A+B}$	A + B
L	L	H	L	$\bar{A}+B$	$\bar{A}\bar{B}$ minus 1	$\bar{A}\bar{B}$	A + \bar{B}
L	L	H	H	Logic 1	minus 1	Logic 0	minus 1
L	H	L	L	$\overline{A+B}$	A plus (A + \bar{B})	$\bar{A}\bar{B}$	A plus $\bar{A}\bar{B}$
L	H	L	H	B	AB plus (A + \bar{B})	\bar{B}	(A + B) plus $\bar{A}\bar{B}$
L	H	H	L	$\overline{A \oplus B}$	A minus B minus 1	$A \oplus B$	A minus B minus 1
L	H	H	H	$A + \bar{B}$	$A + \bar{B}$	$\bar{A}\bar{B}$	$\bar{A}\bar{B}$ minus 1
H	L	L	L	$\bar{A}\bar{B}$	A plus (A + B)	$\bar{A}+B$	A plus AB
H	L	L	H	$A \oplus B$	A plus B	$\overline{A \oplus B}$	A plus B
H	L	H	L	B	$\bar{A}\bar{B}$ plus (A + B)	B	(A + \bar{B}) plus AB
H	L	H	H	A + B	A + B	AB	AB minus 1
H	H	L	L	Logic 0	A plus A	Logic 1	A plus A
H	H	L	H	$\bar{A}\bar{B}$	AB plus A	$A + \bar{B}$	(A + B) plus A
H	H	H	L	AB	$\bar{A}\bar{B}$ plus A	A + B	(A + \bar{B}) plus A
H	H	H	H	A	A	A	A minus 1

MAGNITUDE COMPARISON

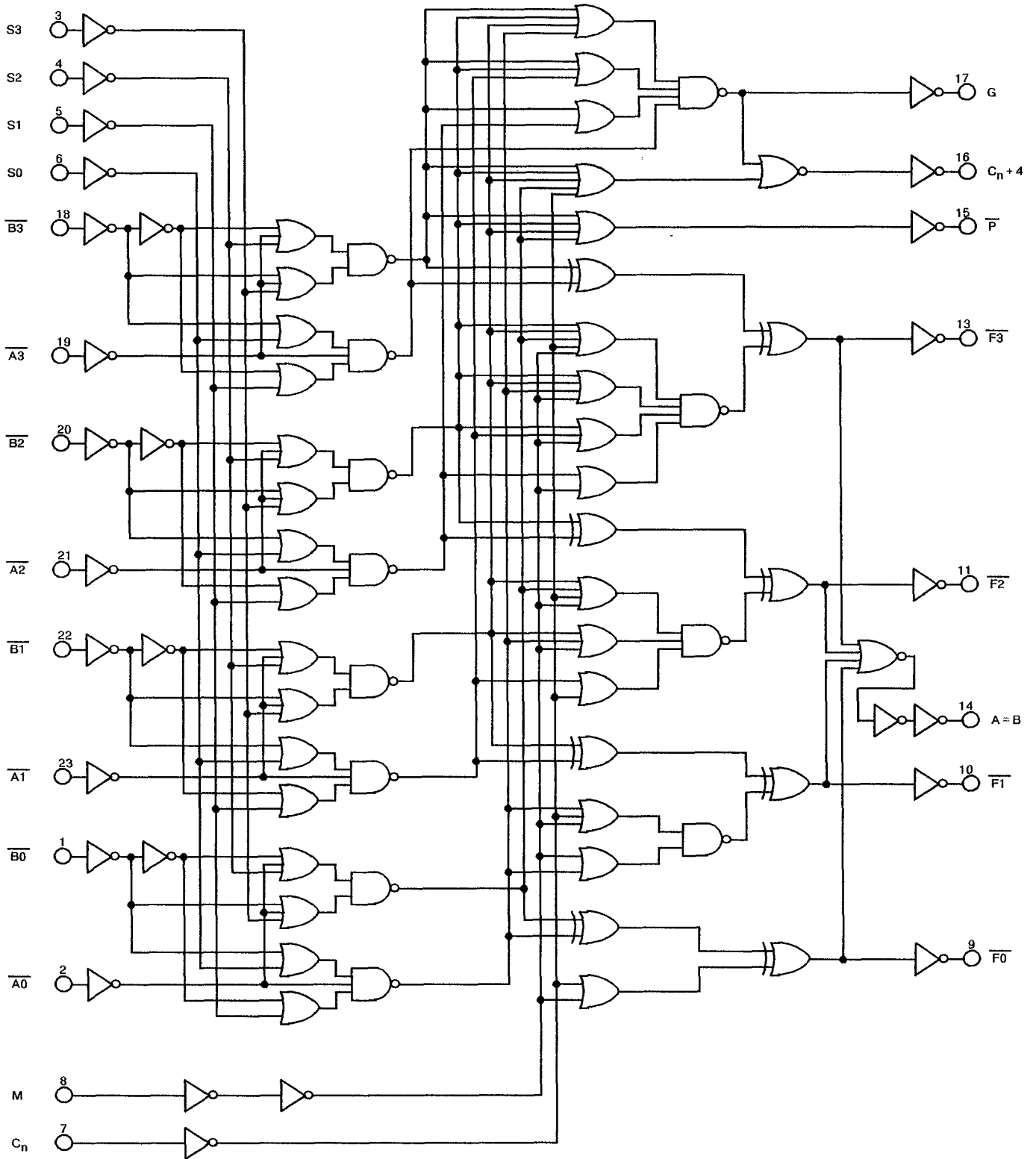
ACTIVE-HIGH DATA			ACTIVE-LOW DATA		
INPUT C _n	OUTPUT C _{n+4}	MAGNITUDE	INPUT C _n	OUTPUT C _{n+4}	MAGNITUDE
H	H	A ≤ B	L	L	A ≤ B
L	H	A < B	H	L	A < B
H	L	A > B	L	H	A > B
L	L	A ≥ B	H	H	A ≥ B

NOTES

- Expressed as two's complement. For arithmetic function with C_n in the opposite state, the resulting function is as shown, plus 1.
- Logic Level Definitions: L = Low Level, H = High Level.



FIGURE 3(c) - CIRCUIT SCHEMATIC



NOTES

- 1. Active-low data.



FIGURE 3(d) - FUNCTIONAL DIAGRAM

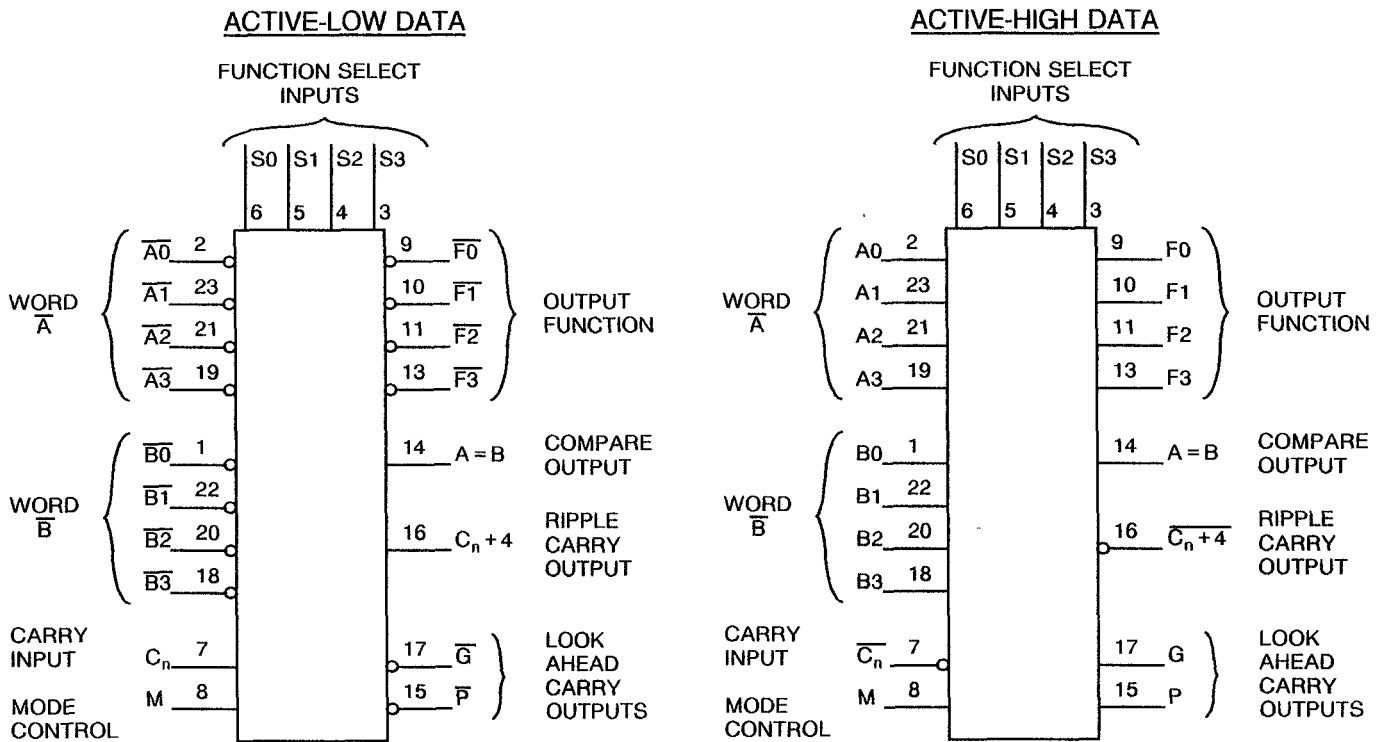
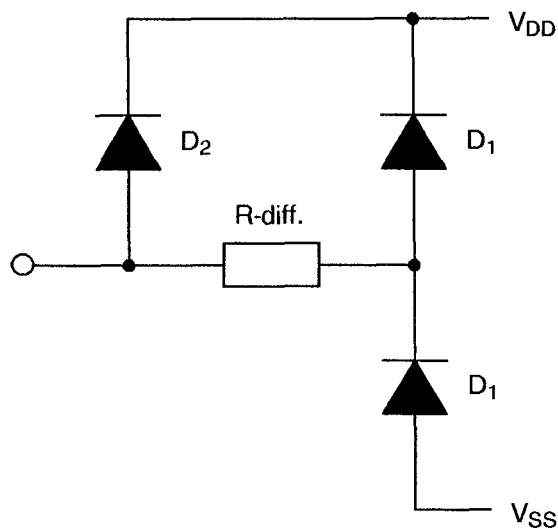




FIGURE 3(e) - INPUT PROTECTION NETWORK



 	<p style="text-align: center;">ESA/SCC Detail Specification No. 9202/068</p>	<p style="text-align: right;">PAGE 15 ISSUE 1</p>
---	--	---

2. APPLICABLE DOCUMENTS

The following documents form part of this specification and shall be read in conjunction with it:-

- (a) ESA/SCC Generic Specification No. 9000 for Integrated Circuits.
- (b) MIL-STD-883, Test Methods and Procedures for Micro-electronics.

3. TERMS, DEFINITIONS, ABBREVIATIONS, SYMBOLS AND UNITS

For the purpose of this specification, the terms, definitions, abbreviations, symbols and units specified in ESA/SCC Basic Specification No. 21300 shall apply. In addition, the following abbreviations are used:

- V_{IC} - Input Clamp Voltage
- P_{D50} - Single Output Power Dissipation
- CKT - Circuit.

4. REQUIREMENTS

4.1 GENERAL

The complete requirements for procurement of the integrated circuits specified herein shall be as stated in this specification and ESA/SCC Generic Specification No. 9000 for Integrated Circuits. Deviations from the Generic Specification, applicable to this specification only, are listed in Para. 4.2.

Deviations from the applicable Generic Specification and this Detail Specification, formally agreed with specific Manufacturers on the basis that the alternative requirements are equivalent to the ESA/SCC requirement and do not affect the components' reliability, are listed in the appendices attached to this specification.

4.2 DEVIATIONS FROM GENERIC SPECIFICATION

4.2.1 Deviations from Special In-process Controls

None.

4.2.2 Deviations from Final Production Tests (Chart II)

None.

4.2.3 Deviations from Burn-in Tests (Chart III)

4.2.3.1 Deviations from High Temperature Reverse Bias (H.T.R.B.)

Prior to operating power burn-in, a high temperature reverse bias (H.T.R.B.) screen at +125°C shall be added for the N-Channel and then for the P-Channel in accordance with Tables 5(a) and 5(b) of this specification. Each exposure to H.T.R.B. shall be 72 hours and Table 4 Parameter Drift Values shall be applied at 0 and 144 hours.

4.2.4 Deviations from Qualification, Environmental and Endurance Tests (Chart IV)

None.



4.2.5 Deviations from Lot Acceptance Tests (Chart V)

None.

4.3 MECHANICAL REQUIREMENTS

4.3.1 Dimension Check

The dimensions of the integrated circuits specified herein shall be checked. They shall conform to those shown in Figure 2.

4.3.2 Weight

The maximum weight of the integrated circuits specified herein shall be 4.25 grammes for the dual-in-line package, 1.55 grammes for the flat package, 1.1 grammes for the SO package and 0.79 grammes for the chip carrier package.

4.4 MATERIALS AND FINISHES

The materials and finishes shall be as specified herein. Where a definite material is not specified, a material which will enable the integrated circuits specified herein to meet the performance requirements of this specification shall be used. Acceptance or approval of any constituent material does not guarantee acceptance of the finished product.

4.4.1 Case

The case shall be hermetically sealed and have a metal body with hard glass seals or a ceramic body and the lids shall be welded, brazed or preform-soldered.

4.4.2 Lead Material and Finish

For dual-in-line and flat packages, the material shall be Type 'G' with either Type '4' or Type '2 or 8' finish in accordance with ESA/SCC Basic Specification No. 23500. For chip carrier packages the finish shall be Type '2' in accordance with ESA/SCC Basic Specification No. 23500. For SO ceramic packages, the material shall be Type 'G' with either Type '2' or Type '4' finish in accordance with ESA/SCC Basic Specification No. 23500. (See Table 1(a) for Type Variants).

4.5 MARKING

4.5.1 General

The marking of all components delivered to this specification shall be in accordance with the requirements of ESA/SCC Basic Specification No. 21700. Each component shall be marked in respect of:-

- (a) Lead Identification.
- (b) The SCC Component Number.
- (c) Traceability Information.

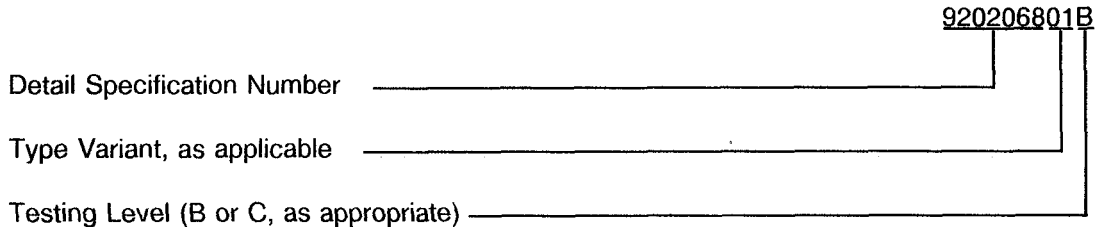
4.5.2 Lead Identification

For dual-in-line, flat and SO packages, an index shall be located at the top of the package in the position defined in Note 1 to Figure 2 or, alternatively, a tab may be used to identify Pin No. 1. The pin numbering must be read with the index or tab on the left-hand side. For chip carrier packages, the index shall be as defined by Figure 2(c).



4.5.3 The SCC Component Number

Each component shall bear the SCC Component Number which shall be constituted and marked as follows:-



4.5.4 Traceability Information

Each component shall be marked in respect of traceability information in accordance with the requirements of ESA/SCC Basic Specification No. 21700.

4.6 ELECTRICAL MEASUREMENTS

4.6.1 Electrical Measurements at Room Temperature

The parameters to be measured in respect of electrical characteristics are scheduled in Table 2. Unless otherwise specified, the measurements shall be performed at $T_{amb} = +22 \pm 3$ °C.

4.6.2 Electrical Measurements at High and Low Temperatures

The parameters to be measured at high and low temperatures are scheduled in Table 3. The measurements shall be performed at $T_{amb} = +125(+0 - 5)$ °C and $-55(+5 - 0)$ °C respectively.

4.6.3 Circuits for Electrical Measurements

Circuits and functional test sequence for use in performing electrical measurements listed in Tables 2 and 3 of this specification are shown in Figure 4.

4.7 BURN-IN TESTS

4.7.1 Parameter Drift Values

The parameter drift values applicable to burn-in are specified in Table 4 of this specification. Unless otherwise stated, measurements shall be performed at $T_{amb} = +22 \pm 3$ °C. The parameter drift values (Δ) applicable to the parameters scheduled, shall not be exceeded. In addition to these drift value requirements, the appropriate limit value specified for a given parameter in Table 2 shall not be exceeded.

4.7.2 Conditions for H.T.R.B. and Power Burn-in

The requirements for H.T.R.B. and Power Burn-in are specified in Section 7 of ESA/SCC Generic Specification No. 9000. The conditions for H.T.R.B. and Power Burn-in shall be as specified in Tables 5(a), 5(b) and 5(c) of this specification.

4.7.3 Electrical Circuits for H.T.R.B. and Power Burn-in

Circuits for use in performing the H.T.R.B. and Power Burn-in tests are shown in Figures 5(a), 5(b) and 5(c) of this specification.

**TABLE 2 - ELECTRICAL MEASUREMENTS AT ROOM TEMPERATURE - d.c. PARAMETERS**

No.	CHARACTERISTICS	SYMBOL	TEST METHOD MIL-STD 883	TEST FIG.	TEST CONDITIONS (PINS UNDER TEST D/F = DIP AND FP C = CCP)	LIMITS		UNIT
						MIN	MAX	
1	Functional Test	-	-	4(a)	Verify Truth Table without Load. $V_{DD} = 3V_{dc}$, $V_{SS} = 0V_{dc}$ Notes 1 and 2	-	-	-
2	Functional Test	-	-	4(a)	Verify Truth Table without Load. $V_{DD} = 15V_{dc}$, $V_{SS} = 0V_{dc}$ Notes 1 and 2	-	-	-
3 to 16	Quiescent Current	I_{DD}	3005	4(b)	$V_{IL} = 0V_{dc}$, $V_{IH} = 15V_{dc}$ $V_{DD} = 15V_{dc}$, $V_{SS} = 0V_{dc}$ Note 3 (Pin D/F 24) (Pin C 28)	-	1.0	μA
17 to 30	Input Current Low Level	I_{IL}	3009	4(c)	V_{IN} (Under Test) = $0V_{dc}$ V_{IN} (All Other Inputs) = $15V_{dc}$ $V_{DD} = 15V_{dc}$, $V_{SS} = 0V_{dc}$ (Pins D/F 1-2-3-4-5-6-7-8-18-19-20-21-22-23) (Pins C 1-2-3-5-6-7-8-9-21-22-23-24-26-27)	-	- 50	nA
31 to 44	Input Current High Level	I_{IH}	3010	4(d)	V_{IN} (Under Test) = $15V_{dc}$ V_{IN} (All Other Inputs) = $0V_{dc}$ $V_{DD} = 15V_{dc}$, $V_{SS} = 0V_{dc}$ (Pins D/F 1-2-3-4-5-6-7-8-18-19-20-21-22-23) (Pins C 1-2-3-5-6-7-8-9-21-22-23-24-26-27)	-	50	nA
45 to 52	Output Voltage Low Level	V_{OL}	-	4(e)	V_{IN} (All Inputs) = See Table of Figure 4(e) $V_{OUT} = \text{Open}$ $V_{DD} = 15V_{dc}$, $V_{SS} = 0V_{dc}$ (Pins D/F 9-10-11-13-14-15-16-17) (Pins C 10-12-13-15-16-17-19-20)	-	0.05	V
53 to 60	Output Voltage High Level	V_{OH}	-	4(f)	V_{IN} (All Inputs) = See Table of Figure 4(f) $V_{OUT} = \text{Open}$ $V_{DD} = 15V_{dc}$, $V_{SS} = 0V_{dc}$ (Pins D/F 9-10-11-13-14-15-16-17) (Pins C 10-12-13-15-16-17-19-20)	14.95	-	V

NOTES: See Page 23.

**TABLE 2 - ELECTRICAL MEASUREMENTS AT ROOM TEMPERATURE - d.c. PARAMETERS (CONT'D)**

No.	CHARACTERISTICS	SYMBOL	TEST METHOD MIL-STD 883	TEST FIG.	TEST CONDITIONS (PINS UNDER TEST D/F = DIP AND FP C = CCP)	LIMITS		UNIT
						MIN	MAX	
61 to 68	Output Drive Current N-Channel	I_{OL1}	-	4(g)	V_{IN} (All Inputs) = See Table of Figure 4(e) $V_{OUT} = 0.4V_{dc}$ $V_{DD} = 5V_{dc}$, $V_{SS} = 0V_{dc}$ Note 4 (Pins D/F 9-10-11-13-14-15- 16-17) (Pins C 10-12-13-15-16-17- 19-20)	0.51	-	mA
69 to 76	Output Drive Current N-Channel	I_{OL2}	-	4(g)	V_{IN} (All Inputs) = See Table of Figure 4(e) $V_{OUT} = 1.5V_{dc}$ $V_{DD} = 15V_{dc}$, $V_{SS} = 0V_{dc}$ Note 4 (Pins D/F 9-10-11-13-14-15- 16-17) (Pins C 10-12-13-15-16-17- 19-20)	3.4	-	mA
77 to 84	Output Drive Current P-Channel	I_{OH1}	-	4(h)	V_{IN} (All Inputs) = See Table of Figure 4(f) $V_{OUT} = 4.6V_{dc}$ $V_{DD} = 5V_{dc}$, $V_{SS} = 0V_{dc}$ Note 4 (Pins D/F 9-10-11-13-14-15- 16-17) (Pins C 10-12-13-15-16-17- 19-20)	- 0.51	-	mA
85 to 92	Output Drive Current P-Channel	I_{OH2}	-	4(h)	V_{IN} (All Inputs) = See Table of Figure 4(f) $V_{OUT} = 13.5V_{dc}$ $V_{DD} = 15V_{dc}$, $V_{SS} = 0V_{dc}$ Note 4 (Pins D/F 9-10-11-13-14-15- 16-17) (Pins C 10-12-13-15-16-17- 19-20)	- 3.4	-	mA

NOTES: See Page 23.



TABLE 2 - ELECTRICAL MEASUREMENTS AT ROOM TEMPERATURE - d.c. PARAMETERS (CONT'D)

No.	CHARACTERISTICS	SYMBOL	TEST METHOD MIL-STD 883	TEST FIG.	TEST CONDITIONS (PINS UNDER TEST D/F = DIP AND FP C = CCP)	LIMITS		UNIT
						MIN	MAX	
93	Input Voltage Low Level (Noise Immunity) (Functional Test)	V_{IL1}	-	4(i)	$V_{IL} = 1.5V_{dc}$ $V_{IH} = 3.5V_{dc}$ $V_{DD} = 5V_{dc}$, $V_{SS} = 0V_{dc}$ Note 5 (Pins D/F 9-10-11-13-14-15-16-17) (Pins C 10-12-13-15-16-17-19-20)	4.5	-	V
	Input Voltage High Level (Noise Immunity) (Functional Test)	V_{IH1}				-	0.5	
94	Input Voltage Low Level (Noise Immunity) (Functional Test)	V_{IL2}	-	4(i)	$V_{IL} = 4.0V_{dc}$ $V_{IH} = 11V_{dc}$ $V_{DD} = 15V_{dc}$, $V_{SS} = 0V_{dc}$ Note 5 (Pins D/F 9-10-11-13-14-15-16-17) (Pins C 10-12-13-15-16-17-19-20)	13.5	-	V
	Input Voltage High Level (Noise Immunity) (Functional Test)	V_{IH2}				-	1.5	
95	Threshold Voltage N-Channel	V_{THN}	-	4(j)	$\overline{B0}$ Input at Ground All Other Inputs: $V_{IN} = 5V_{dc}$ $V_{DD} = 5V_{dc}$, $I_{SS} = -10\mu A$ (Pin D/F 12) (Pin C 14)	-0.7	-3.0	V
96	Threshold Voltage P-Channel	V_{THP}	-	4(k)	$\overline{B0}$ Input at Ground All Other Inputs: $V_{IN} = -5V_{dc}$ $V_{SS} = -5V_{dc}$, $I_{SS} = 10\mu A$ (Pin D/F 24) (Pin C 28)	0.7	3.0	V
97 to 110	Input Clamp Voltage (to V_{SS})	V_{IC1}	-	4(l)	I_{IN} (Under Test) = $-100\mu A$ $V_{DD} = \text{Open}$, $V_{SS} = 0V_{dc}$ All Other Pins Open (Pins D/F 1-2-3-4-5-6-7-8-18-19-20-21-22-23) (Pins C 1-2-3-5-6-7-8-9-21-22-23-24-26-27)	-	-2.0	V
111 to 124	Input Clamp Voltage (to V_{DD})	V_{IC2}	-	4(m)	V_{IN} (Under Test) = $6V_{dc}$ $V_{SS} = \text{Open}$, $R = 30k\Omega$ (Pins D/F 1-2-3-4-5-6-7-8-18-19-20-21-22-23) (Pins C 1-2-3-5-6-7-8-9-21-22-23-24-26-27)	3.0	-	V

NOTES: See Page 23.



TABLE 2 - ELECTRICAL MEASUREMENTS AT ROOM TEMPERATURE - a.c. PARAMETERS

No.	CHARACTERISTICS	SYMBOL	TEST METHOD MIL-STD 883	TEST FIG.	TEST CONDITIONS (PINS UNDER TEST D/F = DIP AND FP C = CCP)	LIMITS		UNIT
						MIN	MAX	
125 to 138	Input Capacitance	C_{IN}	3012	4(n)	V_{IN} (Not under Test) = 0Vdc $V_{DD} = V_{SS} = 0Vdc$ Note 6 (Pins D/F 1-2-3-4-5-6-7-8-18-19-20-21-22-23) (Pins C 1-2-3-5-6-7-8-9-21-22-23-24-26-27)	-	7.5	pF
139	Propagation Delay Low to High (B3 to F3)	t_{PLH1}	3003	4(o)	V_{IN} (Under Test) = Pulse Generator V_{IN} (B0, B1, B2, S0, S3, \overline{C}_n) = 5Vdc V_{IN} (All A Inputs, S1, S2, M) = 0Vdc $V_{DD} = 5Vdc, V_{SS} = 0Vdc$ Note 7 <u>Pins D/F</u> <u>Pins C</u> 18 to 13 21 to 15	-	750	ns
140	Propagation Delay Low to High (B0 to A = B)	t_{PLH2}	3003	4(o)	V_{IN} (Under Test) = Pulse Generator V_{IN} (All A Inputs, B1, B2, B3, S1, S2, \overline{C}_n) = 5Vdc V_{IN} (S0, S3, M) = 0Vdc $V_{DD} = 5Vdc, V_{SS} = 0Vdc$ Note 7 <u>Pins D/F</u> <u>Pins C</u> 1 to 14 1 to 16	-	750	ns
141	Propagation Delay Low to High (\overline{C}_n to F3)	t_{PLH3}	3003	4(o)	V_{IN} (Under Test) = Pulse Generator V_{IN} (All A Inputs, S0, S3) = 5Vdc V_{IN} (All B Inputs, S1, S2, M) = 0Vdc $V_{DD} = 5Vdc, V_{SS} = 0Vdc$ Note 7 <u>Pins D/F</u> <u>Pins C</u> 7 to 13 8 to 15	-	600	ns
142	Propagation Delay Low to High (\overline{C}_n to $\overline{C}_n + 4$)	t_{PLH4}	3003	4(o)	V_{IN} (Under Test) = Pulse Generator V_{IN} (All A Inputs, S0, S3) = 5Vdc V_{IN} (All B Inputs, S1, S2, M) = 0Vdc $V_{DD} = 5Vdc, V_{SS} = 0Vdc$ Note 7 <u>Pins D/F</u> <u>Pins C</u> 7 to 16 8 to 19	-	350	ns

NOTES: See Page 23.



TABLE 2 - ELECTRICAL MEASUREMENTS AT ROOM TEMPERATURE - a.c. PARAMETERS (CONT'D)

No.	CHARACTERISTICS	SYMBOL	TEST METHOD MIL-STD 883	TEST FIG.	TEST CONDITIONS (PINS UNDER TEST D/F = DIP AND FP C = CCP)	LIMITS		UNIT
						MIN	MAX	
143	Propagation Delay High to Low (B3 to F3)	t _{PHL1}	3003	4(o)	V _{IN} (Under Test) = Pulse Generator V _{IN} (B0, B1, B2, S0, S3, C _n) = 5Vdc V _{IN} (All A Inputs, S1, S2, M) = 0Vdc V _{DD} = 5Vdc, V _{SS} = 0Vdc Note 7 <u>Pins D/F</u> <u>Pins C</u> 18 to 13 21 to 15	-	750	ns
144	Propagation Delay High to Low (B0 to A = B)	t _{PHL2}	3003	4(o)	V _{IN} (Under Test) = Pulse Generator V _{IN} (All A Inputs, B1, B2, B3, S1, S2, C _n) = 5Vdc V _{IN} (S0, S3, M) = 0Vdc V _{DD} = 5Vdc, V _{SS} = 0Vdc Note 7 <u>Pins D/F</u> <u>Pins C</u> 1 to 14 1 to 16	-	750	ns
145	Propagation Delay High to Low (C _n to F3)	t _{PHL3}	3003	4(o)	V _{IN} (Under Test) = Pulse Generator V _{IN} (All A Inputs, S0, S3) = 5Vdc V _{IN} (All B Inputs, S1, S2, M) = 0Vdc V _{DD} = 5Vdc, V _{SS} = 0Vdc Note 7 <u>Pins D/F</u> <u>Pins C</u> 7 to 13 8 to 15	-	600	ns
146	Propagation Delay High to Low (C _n to C _n + 4)	t _{PHL4}	3003	4(o)	V _{IN} (Under Test) = Pulse Generator V _{IN} (All A Inputs, S0, S3) = 5Vdc V _{IN} (All B Inputs, S1, S2, M) = 0Vdc V _{DD} = 5Vdc, V _{SS} = 0Vdc Note 7 <u>Pins D/F</u> <u>Pins C</u> 7 to 16 8 to 19	-	350	ns

NOTES: See Page 23.

**TABLE 2 - ELECTRICAL MEASUREMENTS AT ROOM TEMPERATURE - a.c. PARAMETERS (CONT'D)**

No.	CHARACTERISTICS	SYMBOL	TEST METHOD MIL-STD 883	TEST FIG.	TEST CONDITIONS (PINS UNDER TEST D/F = DIP AND FP C = CCP)	LIMITS		UNIT
						MIN	MAX	
147	Transition Time Low to High	t_{TLH1}	3004	4(o)	$V_{IN} (\overline{C}_n)$ = Pulse Generator V_{IN} (All A Inputs, S0, S3) = 5Vdc V_{IN} (All B Inputs, S1, S2, M) = 0Vdc V_{DD} = 5Vdc, V_{SS} = 0Vdc Note 7 (Pin D/F 16) (Pin C 19)	-	150	ns
148	Transition Time High to Low	t_{THL1}	3004	4(o)	$V_{IN} (\overline{C}_n)$ = Pulse Generator V_{IN} (All A Inputs, S0, S3) = 5Vdc V_{IN} (All B Inputs, S1, S2, M) = 0Vdc V_{DD} = 5Vdc, V_{SS} = 0Vdc Note 7 (Pin D/F 16) (Pin C 19)	-	150	ns

NOTES

- GO-NO-GO Test, each pattern of Test Table 4(a).
 $V_{OH} \geq V_{DD} - 0.5V_{dc}$ $V_{OL} \leq 0.5V_{dc}$
- Maximum time to output comparator strobe 300 μ sec.
- Test each pattern of Table 4(b).
- Interchange of forcing and measuring function is permitted.
- This is performed as a Functional Test in which extreme V_{IN} conditions are applied and output voltage is measured.
- Measurement performed on a sample basis, LTPD7 or less, with a Capacitance Bridge connected between each input under test and V_{SS} , only for Lots where LAT Level 2 is to be performed. (For LTPD sampling plan, see Annexe I of ESA/SCC 9000).
- Measurement performed on a sample basis, LTPD7 or less, (see Annexe I of ESA/SCC 9000).



TABLE 3(a) - ELECTRICAL MEASUREMENTS AT HIGH TEMPERATURE, +125(+0 - 5) °C

No.	CHARACTERISTICS	SYMBOL	TEST METHOD MIL-STD 883	TEST FIG.	TEST CONDITIONS (PINS UNDER TEST D/F = DIP AND FP C = CCP)	LIMITS		UNIT
						MIN	MAX	
1	Functional Test	-	-	4(a)	Verify Truth Table without Load. $V_{DD} = 3V_{dc}$, $V_{SS} = 0V_{dc}$ Notes 1 and 2	-	-	-
2	Functional Test	-	-	4(a)	Verify Truth Table without Load. $V_{DD} = 15V_{dc}$, $V_{SS} = 0V_{dc}$ Notes 1 and 2	-	-	-
3 to 16	Quiescent Current	I_{DD}	3005	4(b)	$V_{IL} = 0V_{dc}$, $V_{IH} = 15V_{dc}$ $V_{DD} = 15V_{dc}$, $V_{SS} = 0V_{dc}$ Note 3 (Pin D/F 24) (Pin C 28)	-	30	μA
17 to 30	Input Current Low Level	I_{IL}	3009	4(c)	V_{IN} (Under Test) = $0V_{dc}$ V_{IN} (All Other Inputs) = $15V_{dc}$ $V_{DD} = 15V_{dc}$, $V_{SS} = 0V_{dc}$ (Pins D/F 1-2-3-4-5-6-7-8-18-19-20-21-22-23) (Pins C 1-2-3-5-6-7-8-9-21-22-23-24-26-27)	-	- 100	nA
31 to 44	Input Current High Level	I_{IH}	3010	4(d)	V_{IN} (Under Test) = $15V_{dc}$ V_{IN} (All Other Inputs) = $0V_{dc}$ $V_{DD} = 15V_{dc}$, $V_{SS} = 0V_{dc}$ (Pins D/F 1-2-3-4-5-6-7-8-18-19-20-21-22-23) (Pins C 1-2-3-5-6-7-8-9-21-22-23-24-26-27)	-	100	nA
45 to 52	Output Voltage Low Level	V_{OL}	-	4(e)	V_{IN} (All Inputs) = See Table of Figure 4(e) $V_{OUT} = \text{Open}$ $V_{DD} = 15V_{dc}$, $V_{SS} = 0V_{dc}$ (Pins D/F 9-10-11-13-14-15-16-17) (Pins C 10-12-13-15-16-17-19-20)	-	0.05	V
53 to 60	Output Voltage High Level	V_{OH}	-	4(f)	V_{IN} (All Inputs) = See Table of Figure 4(f) $V_{OUT} = \text{Open}$ $V_{DD} = 15V_{dc}$, $V_{SS} = 0V_{dc}$ (Pins D/F 9-10-11-13-14-15-16-17) (Pins C 10-12-13-15-16-17-19-20)	14.95	-	V

NOTES: See Page 23.

**TABLE 3(a) - ELECTRICAL MEASUREMENTS AT HIGH TEMPERATURE, +125(+0-5) °C (CONT'D)**

No.	CHARACTERISTICS	SYMBOL	TEST METHOD MIL-STD 883	TEST FIG.	TEST CONDITIONS (PINS UNDER TEST D/F = DIP AND FP C = CCP)	LIMITS		UNIT
						MIN	MAX	
61 to 68	Output Drive Current N-Channel	I_{OL1}	-	4(g)	V_{IN} (All Inputs) = See Table of Figure 4(e) $V_{OUT} = 0.4V_{dc}$ $V_{DD} = 5V_{dc}$, $V_{SS} = 0V_{dc}$ Note 4 (Pins D/F 9-10-11-13-14-15- 16-17) (Pins C 10-12-13-15-16-17- 19-20)	0.36	-	mA
69 to 76	Output Drive Current N-Channel	I_{OL2}	-	4(g)	V_{IN} (All Inputs) = See Table of Figure 4(e) $V_{OUT} = 1.5V_{dc}$ $V_{DD} = 15V_{dc}$, $V_{SS} = 0V_{dc}$ Note 4 (Pins D/F 9-10-11-13-14-15- 16-17) (Pins C 10-12-13-15-16-17- 19-20)	2.4	-	mA
77 to 84	Output Drive Current P-Channel	I_{OH1}	-	4(h)	V_{IN} (All Inputs) = See Table of Figure 4(f) $V_{OUT} = 4.6V_{dc}$ $V_{DD} = 5V_{dc}$, $V_{SS} = 0V_{dc}$ Note 4 (Pins D/F 9-10-11-13-14-15- 16-17) (Pins C 10-12-13-15-16-17- 19-20)	- 0.36	-	mA
85 to 92	Output Drive Current P-Channel	I_{OH2}	-	4(h)	V_{IN} (All Inputs) = See Table of Figure 4(f) $V_{OUT} = 13.5V_{dc}$ $V_{DD} = 15V_{dc}$, $V_{SS} = 0V_{dc}$ Note 4 (Pins D/F 9-10-11-13-14-15- 16-17) (Pins C 10-12-13-15-16-17- 19-20)	- 2.4	-	mA

NOTES: See Page 23.



TABLE 3(a) - ELECTRICAL MEASUREMENTS AT HIGH TEMPERATURE, +125(+0 - 5) °C (CONT'D)

No.	CHARACTERISTICS	SYMBOL	TEST METHOD MIL-STD 883	TEST FIG.	TEST CONDITIONS (PINS UNDER TEST D/F = DIP AND FP C = CCP)	LIMITS		UNIT
						MIN	MAX	
93	Input Voltage Low Level (Noise Immunity) (Functional Test)	V_{IL1}	-	4(i)	$V_{IL} = 1.5V_{dc}$ $V_{IH} = 3.5V_{dc}$ $V_{DD} = 5V_{dc}$, $V_{SS} = 0V_{dc}$ Note 5 (Pins D/F 9-10-11-13-14-15-16-17) (Pins C 10-12-13-15-16-17-19-20)	4.5	-	V
	Input Voltage High Level (Noise Immunity) (Functional Test)	V_{IH1}				-	0.5	
94	Input Voltage Low Level (Noise Immunity) (Functional Test)	V_{IL2}	-	4(i)	$V_{IL} = 4.0V_{dc}$ $V_{IH} = 11V_{dc}$ $V_{DD} = 15V_{dc}$, $V_{SS} = 0V_{dc}$ Note 5 (Pins D/F 9-10-11-13-14-15-16-17) (Pins C 10-12-13-15-16-17-19-20)	13.5	-	V
	Input Voltage High Level (Noise Immunity) (Functional Test)	V_{IH2}				-	1.5	
95	Threshold Voltage N-Channel	V_{THN}	-	4(j)	$\overline{B0}$ Input at Ground All Other Inputs: $V_{IN} = 5V_{dc}$ $V_{DD} = 5V_{dc}$, $I_{SS} = -10\mu A$ (Pin D/F 12) (Pin C 14)	-0.3	-3.5	V
96	Threshold Voltage P-Channel	V_{THP}	-	4(k)	$\overline{B0}$ Input at Ground All Other Inputs: $V_{IN} = -5V_{dc}$ $V_{SS} = -5V_{dc}$, $I_{SS} = 10\mu A$ (Pin D/F 24) (Pin C 28)	0.3	3.5	V

NOTES: See Page 23.



TABLE 3(b) - ELECTRICAL MEASUREMENTS AT LOW TEMPERATURE, -55(+5-0) °C

No.	CHARACTERISTICS	SYMBOL	TEST METHOD MIL-STD 883	TEST FIG.	TEST CONDITIONS (PINS UNDER TEST D/F = DIP AND FP C = CCP)	LIMITS		UNIT
						MIN	MAX	
1	Functional Test	-	-	4(a)	Verify Truth Table without Load. $V_{DD} = 3V_{dc}$, $V_{SS} = 0V_{dc}$ Notes 1 and 2	-	-	-
2	Functional Test	-	-	4(a)	Verify Truth Table without Load. $V_{DD} = 15V_{dc}$, $V_{SS} = 0V_{dc}$ Notes 1 and 2	-	-	-
3 to 16	Quiescent Current	I_{DD}	3005	4(b)	$V_{IL} = 0V_{dc}$, $V_{IH} = 15V_{dc}$ $V_{DD} = 15V_{dc}$, $V_{SS} = 0V_{dc}$ Note 3 (Pin D/F 24) (Pin C 28)	-	1.0	μA
17 to 30	Input Current Low Level	I_{IL}	3009	4(c)	V_{IN} (Under Test) = $0V_{dc}$ V_{IN} (All Other Inputs) = $15V_{dc}$ $V_{DD} = 15V_{dc}$, $V_{SS} = 0V_{dc}$ (Pins D/F 1-2-3-4-5-6-7-8-18-19-20-21-22-23) (Pins C 1-2-3-5-6-7-8-9-21-22-23-24-26-27)	-	-50	nA
31 to 44	Input Current High Level	I_{IH}	3010	4(d)	V_{IN} (Under Test) = $15V_{dc}$ V_{IN} (All Other Inputs) = $0V_{dc}$ $V_{DD} = 15V_{dc}$, $V_{SS} = 0V_{dc}$ (Pins D/F 1-2-3-4-5-6-7-8-18-19-20-21-22-23) (Pins C 1-2-3-5-6-7-8-9-21-22-23-24-26-27)	-	50	nA
45 to 52	Output Voltage Low Level	V_{OL}	-	4(e)	V_{IN} (All Inputs) = See Table of Figure 4(e) $V_{OUT} = \text{Open}$ $V_{DD} = 15V_{dc}$, $V_{SS} = 0V_{dc}$ (Pins D/F 9-10-11-13-14-15-16-17) (Pins C 10-12-13-15-16-17-19-20)	-	0.05	V
53 to 60	Output Voltage High Level	V_{OH}	-	4(f)	V_{IN} (All Inputs) = See Table of Figure 4(f) $V_{OUT} = \text{Open}$ $V_{DD} = 15V_{dc}$, $V_{SS} = 0V_{dc}$ (Pins D/F 9-10-11-13-14-15-16-17) (Pins C 10-12-13-15-16-17-19-20)	14.95	-	V

NOTES: See Page 23.

**TABLE 3(b) - ELECTRICAL MEASUREMENTS AT LOW TEMPERATURE, - 55(+ 5 - 0) °C (CONT'D)**

No.	CHARACTERISTICS	SYMBOL	TEST METHOD MIL-STD 883	TEST FIG.	TEST CONDITIONS (PINS UNDER TEST D/F = DIP AND FP C = CCP)	LIMITS		UNIT
						MIN	MAX	
61 to 68	Output Drive Current N-Channel	I_{OL1}	-	4(g)	V_{IN} (All Inputs) = See Table of Figure 4(e) $V_{OUT} = 0.4V_{dc}$ $V_{DD} = 5V_{dc}$, $V_{SS} = 0V_{dc}$ Note 4 (Pins D/F 9-10-11-13-14-15- 16-17) (Pins C 10-12-13-15-16-17- 19-20)	0.64	-	mA
69 to 76	Output Drive Current N-Channel	I_{OL2}	-	4(g)	V_{IN} (All Inputs) = See Table of Figure 4(e) $V_{OUT} = 1.5V_{dc}$ $V_{DD} = 15V_{dc}$, $V_{SS} = 0V_{dc}$ Note 4 (Pins D/F 9-10-11-13-14-15- 16-17) (Pins C 10-12-13-15-16-17- 19-20)	4.2	-	mA
77 to 84	Output Drive Current P-Channel	I_{OH1}	-	4(h)	V_{IN} (All Inputs) = See Table of Figure 4(f) $V_{OUT} = 4.6V_{dc}$ $V_{DD} = 5V_{dc}$, $V_{SS} = 0V_{dc}$ Note 4 (Pins D/F 9-10-11-13-14-15- 16-17) (Pins C 10-12-13-15-16-17- 19-20)	- 0.64	-	mA
85 to 92	Output Drive Current P-Channel	I_{OH2}	-	4(h)	V_{IN} (All Inputs) = See Table of Figure 4(f) $V_{OUT} = 13.5V_{dc}$ $V_{DD} = 15V_{dc}$, $V_{SS} = 0V_{dc}$ Note 4 (Pins D/F 9-10-11-13-14-15- 16-17) (Pins C 10-12-13-15-16-17- 19-20)	- 4.2	-	mA

NOTES: See Page 23.



TABLE 3(b) - ELECTRICAL MEASUREMENTS AT LOW TEMPERATURE, -55(+5-0) °C (CONT'D)

No.	CHARACTERISTICS	SYMBOL	TEST METHOD MIL-STD 883	TEST FIG.	TEST CONDITIONS (PINS UNDER TEST D/F = DIP AND FP C = CCP)	LIMITS		UNIT
						MIN	MAX	
93	Input Voltage Low Level (Noise Immunity) (Functional Test)	V_{IL1}	-	4(i)	$V_{IL} = 1.5V_{dc}$ $V_{IH} = 3.5V_{dc}$ $V_{DD} = 5V_{dc}$, $V_{SS} = 0V_{dc}$ Note 5 (Pins D/F 9-10-11-13-14-15-16-17) (Pins C 10-12-13-15-16-17-19-20)	4.5	-	V
	Input Voltage High Level (Noise Immunity) (Functional Test)	V_{IH1}				-	0.5	
94	Input Voltage Low Level (Noise Immunity) (Functional Test)	V_{IL2}	-	4(i)	$V_{IL} = 4.0V_{dc}$ $V_{IH} = 11V_{dc}$ $V_{DD} = 15V_{dc}$, $V_{SS} = 0V_{dc}$ Note 5 (Pins D/F 9-10-11-13-14-15-16-17) (Pins C 10-12-13-15-16-17-19-20)	13.5	-	V
	Input Voltage High Level (Noise Immunity) (Functional Test)	V_{IH2}				-	1.5	
95	Threshold Voltage N-Channel	V_{THN}	-	4(j)	$\overline{B0}$ Input at Ground All Other Inputs: $V_{IN} = 5V_{dc}$ $V_{DD} = 5V_{dc}$, $I_{SS} = -10\mu A$ (Pin D/F 12) (Pin C 14)	-0.7	-3.5	V
96	Threshold Voltage P-Channel	V_{THP}	-	4(k)	$B0$ Input at Ground All Other Inputs: $V_{IN} = -5V_{dc}$ $V_{SS} = -5V_{dc}$, $I_{SS} = 10\mu A$ (Pin D/F 24) (Pin C 28)	0.7	3.5	V

NOTES: See Page 23.



FIGURE 4 - CIRCUITS FOR ELECTRICAL MEASUREMENTS

FIGURE 4(a) - FUNCTIONAL TEST TABLE

PATTERN No.	PIN NUMBERS																	D.C. SUPPLY							
	INPUTS													OUTPUTS				12	24						
	1	2	3	4	5	6	7	8	18	19	20	21	22	23	9	10	11			13	14	15	16	17	
1	0	0	0	0	0	0	1	1	0	0	0	0	0	0	1	1	1	1	1	0	1	0	V _{SS}	V _{DD}	
2	0	1	0	0	0	0	0	1	0	1	0	1	0	1	0	0	0	0	0	0	0	0	1		
3	0	0	0	0	0	1	1	1	0	0	0	0	0	0	1	1	1	1	1	0	1	0			
4	1	0	0	0	0	1	1	1	1	0	1	0	1	0	0	0	0	0	0	0	1	1			
5	1	0	0	0	0	0	1	1	1	0	1	0	1	0	1	1	1	1	1	0	1	0			
6	1	0	0	0	0	1	0	1	1	0	1	0	1	0	0	0	0	0	0	0	0	1			
7	0	0	0	0	0	0	1	1	0	0	0	0	0	0	1	1	1	1	1	0	1	0			
8	0	0	0	0	1	0	1	1	0	0	0	0	0	0	0	0	0	0	0	0	1	1			
9	1	0	0	0	1	0	1	1	1	0	1	0	1	0	1	1	1	1	1	0	1	0			
10	0	0	0	0	1	0	0	1	0	0	0	0	0	0	0	0	0	0	0	0	0	1			
11	0	1	0	1	0	0	1	1	0	1	0	1	0	1	1	1	1	1	1	1	0	1			
12	1	1	0	1	0	0	0	1	1	1	1	1	1	1	0	0	0	0	0	0	0	1			
13	0	1	0	1	0	0	0	1	0	1	0	1	0	1	1	1	1	1	1	1	0	1			
14	0	1	0	0	0	0	0	1	0	1	0	1	0	1	0	0	0	0	0	0	0	1			
15	0	0	0	1	0	0	0	1	0	0	0	0	0	0	1	1	1	1	1	0	1	0			
16	0	1	0	1	0	0	0	1	0	1	0	1	0	1	1	1	1	1	1	1	0	1			
17	1	0	1	0	0	0	0	1	1	0	1	0	1	0	1	1	1	1	1	0	1	0			
18	1	1	1	0	0	0	0	1	1	1	1	1	1	1	1	1	1	1	1	1	0	1			
19	1	1	0	0	0	0	0	1	1	1	1	1	1	1	0	0	0	0	0	0	0	1			
20	1	1	1	0	0	0	0	1	1	1	1	1	1	1	1	1	1	1	1	1	0	1			
21	0	1	1	0	0	0	0	1	0	1	0	1	0	1	0	0	0	0	0	0	0	1			
22	1	1	1	0	0	0	0	1	1	1	1	1	1	1	1	1	1	1	1	1	0	1			
23	0	1	0	0	0	0	1	0	0	0	0	1	0	0	1	0	1	0	0	0	1	0			
24	0	0	0	0	0	0	0	0	0	1	0	0	0	1	1	1	0	1	0	0	1	0			
25	1	1	0	0	0	1	1	0	0	0	1	0	0	1	1	1	1	0	0	0	1	0			
26	1	1	0	0	0	1	0	0	0	0	1	0	0	1	0	0	0	1	0	0	1	0			
27	1	1	0	0	1	0	1	0	0	0	1	0	0	1	1	1	0	1	0	0	1	0			
28	1	1	0	0	1	0	0	0	0	0	1	0	0	1	0	0	1	1	0	0	1	0			
29	0	0	0	0	1	1	1	0	0	0	0	0	0	0	1	1	1	1	1	0	1	1			
30	0	0	0	0	1	1	0	0	0	0	0	0	0	0	0	0	0	0	0	0	0	1			
31	0	1	0	1	0	0	1	0	1	1	1	1	1	1	0	0	0	0	0	0	0	1			
32	0	1	0	1	0	0	0	0	1	1	1	1	1	1	1	0	0	0	0	1	0	1			
33	0	1	0	1	0	1	1	0	0	1	1	0	0	1	0	1	0	1	0	1	0	1			
34	0	1	0	1	0	1	0	0	0	1	1	0	0	0	1	1	1	0	0	1	0	1			
35	1	0	0	1	1	0	1	0	0	1	0	1	1	0	0	0	0	1	0	1	0	1			
36	0	0	0	1	1	0	0	0	1	1	0	0	1	1	0	0	0	0	0	0	0	1			
37	1	1	0	1	1	1	1	0	0	0	1	0	0	1	1	0	0	0	0	1	0	1			
38	1	1	0	1	1	1	0	0	0	0	1	0	0	1	0	1	0	0	0	1	0	1			
39	0	1	1	0	0	0	1	0	1	1	0	1	0	1	1	1	1	0	0	1	0	1			
40	0	1	1	0	0	0	0	0	1	1	0	1	0	1	0	0	0	1	0	1	0	1			
41	0	1	1	0	0	1	1	0	1	0	0	1	1	0	1	1	1	1	1	0	1	1			
42	1	0	1	0	0	1	0	0	0	1	1	0	0	1	0	0	0	0	0	0	0	1			
43	0	0	1	0	1	0	1	0	1	0	1	1	0	1	1	1	0	1	0	1	1	0			

NOTES: See Page 31.



FIGURE 4 - CIRCUITS FOR ELECTRICAL MEASUREMENTS (CONTINUED)

FIGURE 4(a) - FUNCTIONAL TEST TABLE (CONTINUED)

PATTERN No.	PIN NUMBERS																	D.C. SUPPLY						
	INPUTS													OUTPUTS				12	24					
	1	2	3	4	5	6	7	8	18	19	20	21	22	23	9	10	11			13	14	15	16	17
44	0	0	1	0	1	0	0	0	1	0	1	1	0	1	0	0	1	1	0	1	1	0	V _{SS}	V _{DD}
45	1	1	1	0	1	1	1	0	0	0	1	0	0	1	0	0	0	0	0	1	0	1		
46	1	1	1	0	1	1	0	0	0	0	1	0	0	1	1	0	0	0	0	1	0	1		
47	1	0	1	1	0	0	1	0	1	1	1	0	1	1	0	0	1	0	0	1	0	1		
48	0	0	1	1	0	0	0	0	0	1	0	0	0	1	1	0	0	0	1	0	1			
49	1	0	1	1	0	1	1	0	1	1	1	1	0	1	1	0	1	1	0	1	0	1		
50	1	0	1	1	0	1	0	0	1	1	1	1	0	1	0	1	0	1	1	0	1	0		
51	0	0	1	1	1	0	1	0	1	1	0	1	1	0	1	0	1	0	0	1	0	1		
52	0	0	1	1	1	0	0	0	1	1	0	1	1	0	0	1	0	1	0	1	0	1		
53	1	0	1	1	1	1	1	0	1	1	1	0	1	0	1	0	1	1	0	0	1	0		
54	0	0	1	1	1	1	0	0	0	1	0	1	0	0	0	0	0	1	1	0	1	0		
55	0	1	1	0	0	1	1	0	0	0	1	1	1	0	1	1	0	1	0	1	1	0		
56	0	1	1	0	0	1	0	0	0	0	1	1	1	0	0	0	1	1	0	1	1	0		
57	0	1	1	0	0	1	1	0	0	1	1	0	1	0	1	1	1	1	1	0	1	1		
58	0	1	1	0	0	1	0	0	0	1	1	0	1	0	0	0	0	0	0	0	0	1		
59	0	1	0	1	1	0	1	0	0	1	1	0	1	0	0	1	0	0	0	0	1	0		
60	0	1	0	1	1	0	0	0	0	1	1	0	1	0	1	1	0	0	0	0	1	0		
61	1	1	0	1	1	0	1	0	1	1	0	0	0	0	1	1	1	1	1	1	0	1		
62	1	1	0	1	1	0	0	0	1	1	0	0	0	0	0	0	0	0	0	0	0	1		
63	1	1	1	1	0	0	1	0	1	0	1	0	1	1	0	1	1	0	0	0	1	1		
64	0	0	1	1	0	0	1	0	0	1	0	1	0	0	0	0	0	1	0	1	0	1		
65	1	1	1	0	0	1	1	0	1	1	1	1	1	1	0	1	1	1	0	1	0	1		
66	1	1	1	0	0	1	0	0	1	1	1	1	1	1	1	1	1	1	1	1	0	1		
67	0	0	0	0	0	0	0	0	0	0	0	0	0	0	1	0	0	0	0	0	1	0		

NOTES

- Figure 4(a) illustrates one series of test patterns. Any other pattern series must be agreed with the Qualifying Space Agency and shall be included as an Appendix.
- Logic Level Definitions: 1 = V_{IH} = V_{DD}, 0 = V_{IL} = V_{SS}.

FIGURE 4 - CIRCUITS FOR ELECTRICAL MEASUREMENTS (CONTINUED)

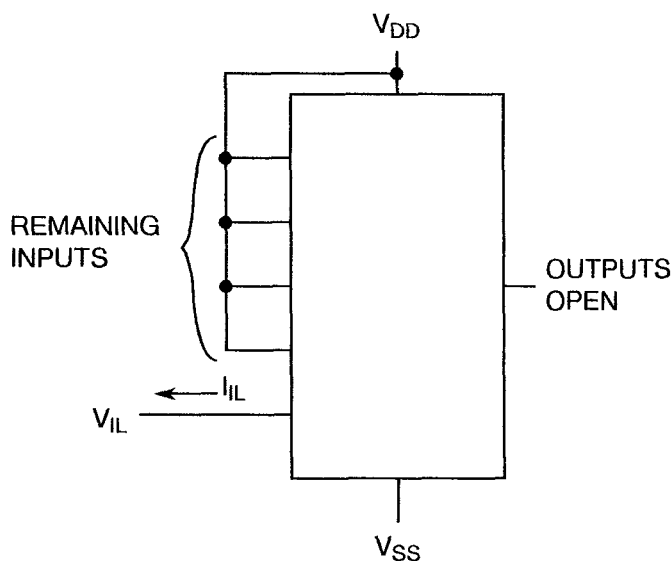
FIGURE 4(b) - QUIESCENT CURRENT TEST TABLE

PATTERN No.	PIN NUMBERS																	D.C. SUPPLY						
	INPUTS													OUTPUTS				12	24					
	1	2	3	4	5	6	7	8	18	19	20	21	22	23	9	10	11			13	14	15	16	17
1	0	1	1	1	1	0	0	0	1	0	1	0	0	1	X	X	X	X	X	X	X	X	V _{SS}	V _{DD}
2	1	1	1	1	0	1	0	0	1	1	1	0	0	0	X	X	X	X	X	X	X	X		
3	1	0	1	0	1	0	0	0	0	0	0	0	0	1	X	X	X	X	X	X	X	X		
4	0	1	1	0	0	1	1	0	0	1	0	1	1	0	X	X	X	X	X	X	X	X		
5	0	0	1	0	0	0	1	1	0	1	0	0	1	0	X	X	X	X	X	X	X	X		
6	1	0	0	1	1	0	1	0	1	1	0	1	1	0	X	X	X	X	X	X	X	X		
7	0	0	0	1	0	1	1	0	0	1	1	1	0	1	X	X	X	X	X	X	X	X		
8	0	1	0	1	0	0	1	0	1	0	1	1	1	1	X	X	X	X	X	X	X	X		
9	0	0	1	1	1	0	0	0	1	0	0	0	0	0	X	X	X	X	X	X	X	X		
10	1	0	1	1	0	1	0	1	0	0	0	1	0	1	X	X	X	X	X	X	X	X		
11	1	1	0	1	0	1	0	1	1	1	1	1	1	1	X	X	X	X	X	X	X	X		
12	0	0	1	0	1	1	1	0	1	1	1	1	1	1	X	X	X	X	X	X	X	X		
13	0	0	1	0	1	0	1	0	0	0	0	0	0	0	X	X	X	X	X	X	X	X		
14	0	0	1	0	1	0	1	0	0	0	1	0	0	0	X	X	X	X	X	X	X	X		

NOTES

- Figure 4(b) illustrates one series of test patterns. Any other pattern series must be agreed with the Qualifying Space Agency and shall be included as an Appendix.
- Logic Level Definitions: 1 = $V_{IH} = V_{DD}$, 0 = $V_{IL} = V_{SS}$, X = Don't Care.

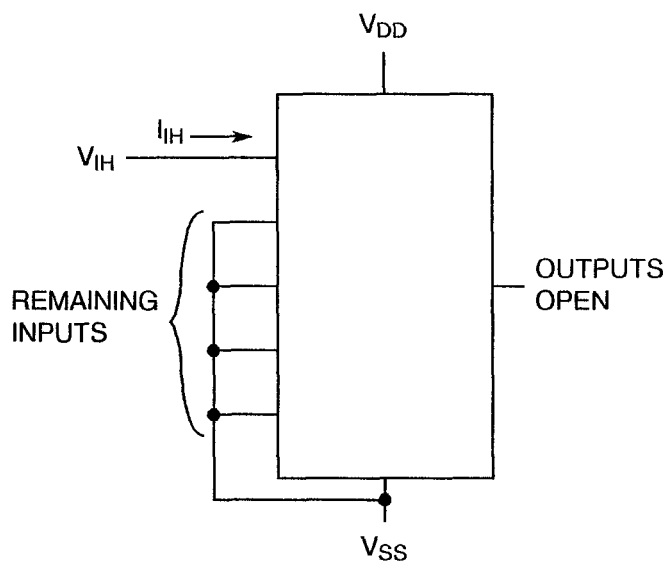
FIGURE 4(c) - LOW LEVEL INPUT CURRENT



NOTES

- Each input to be tested separately.

FIGURE 4(d) - HIGH LEVEL INPUT CURRENT



NOTES

- Each input to be tested separately.



FIGURE 4 - CIRCUITS FOR ELECTRICAL MEASUREMENTS (CONTINUED)

FIGURE 4(g) - LOW LEVEL OUTPUT CURRENT

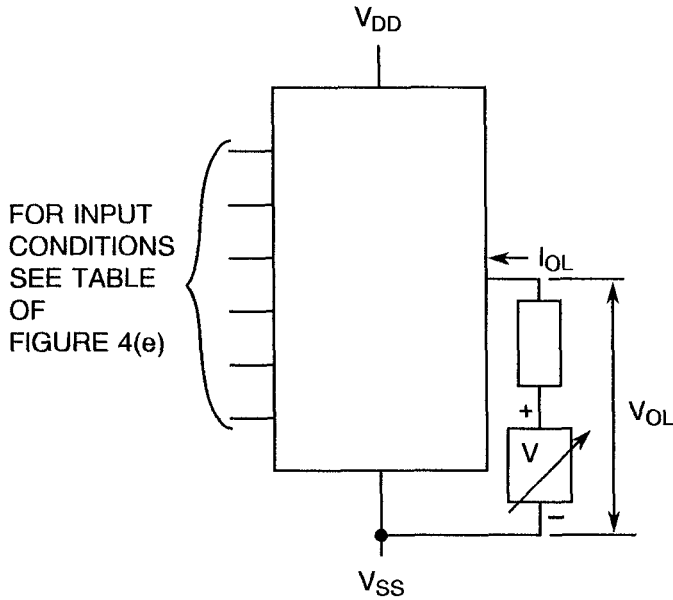
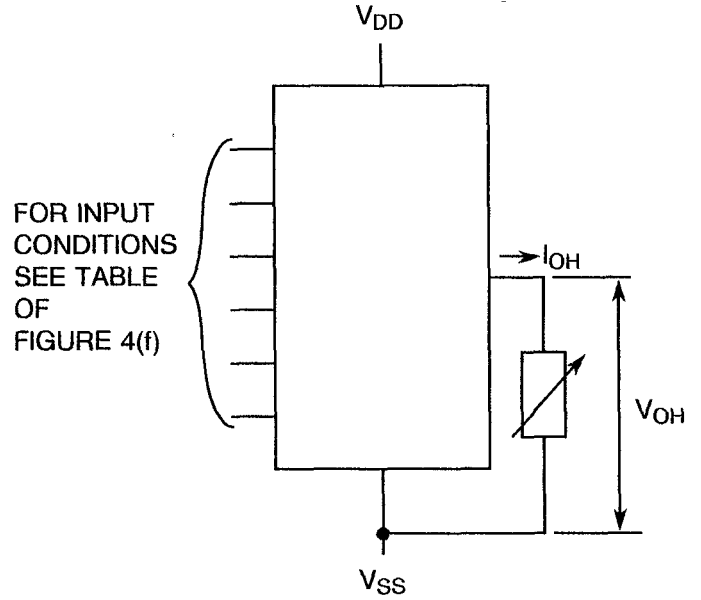


FIGURE 4(h) - HIGH LEVEL OUTPUT CURRENT



NOTES

1. Each output to be tested separately.

NOTES

1. Each output to be tested separately.

FIGURE 4(i) - NOISE IMMUNITY TEST TABLE

PATTERN No.	PIN NUMBERS																	D.C. SUPPLY						
	INPUTS													OUTPUTS				12	24					
	1	2	3	4	5	6	7	8	18	19	20	21	22	23	9	10	11			13	14	15	16	17
1	0	1	0	0	0	0	0	1	0	1	0	1	0	1	0	0	0	0	0	0	0	1	V _{SS}	V _{DD}
2	0	0	0	0	0	1	1	1	0	0	0	0	0	0	1	1	1	1	1	0	1	0		
3	1	0	0	0	0	1	1	1	1	0	1	0	1	0	0	0	0	0	0	0	1	1		
4	1	0	0	0	0	0	1	1	1	0	1	0	1	0	1	1	1	1	1	0	1	0		
5	0	0	0	0	0	0	0	0	0	1	0	0	0	1	1	1	0	1	0	0	1	0		
6	0	0	0	1	1	0	0	0	1	1	0	0	1	1	0	0	0	0	0	0	0	1		
7	0	1	0	1	0	1	1	0	0	1	1	0	0	1	0	1	0	1	0	1	0	1		
8	1	1	0	1	1	1	1	0	0	0	1	0	0	1	1	0	0	0	0	1	0	1		
9	0	0	1	1	1	0	1	0	1	1	0	1	1	0	1	0	0	1	0	1	0	1		

NOTES

1. Logic Level Definitions: as per Table 2.

FIGURE 4 - CIRCUITS FOR ELECTRICAL MEASUREMENTS (CONTINUED)

FIGURE 4(j) - THRESHOLD VOLTAGE N-CHANNEL

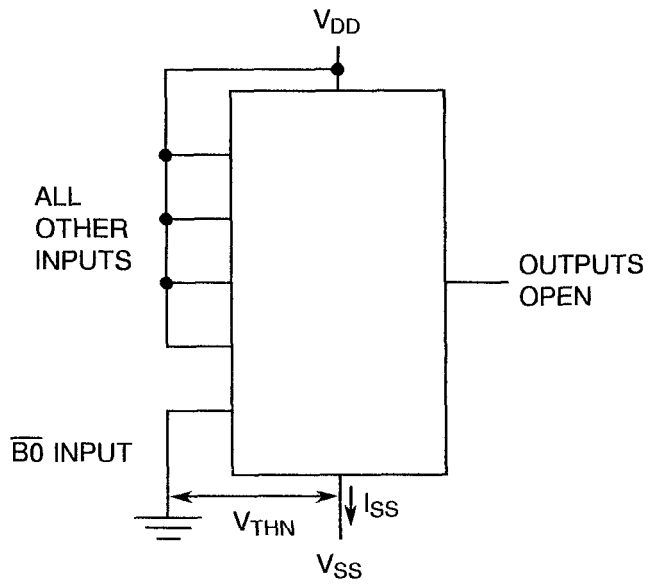


FIGURE 4(k) - THRESHOLD VOLTAGE P-CHANNEL

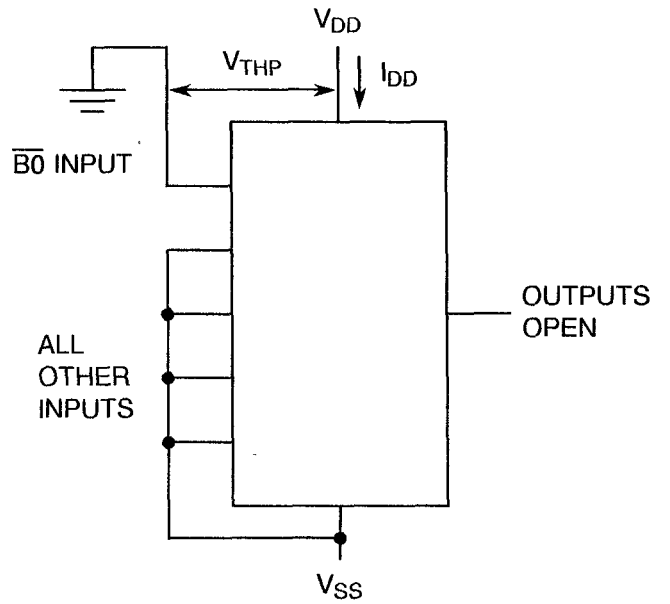
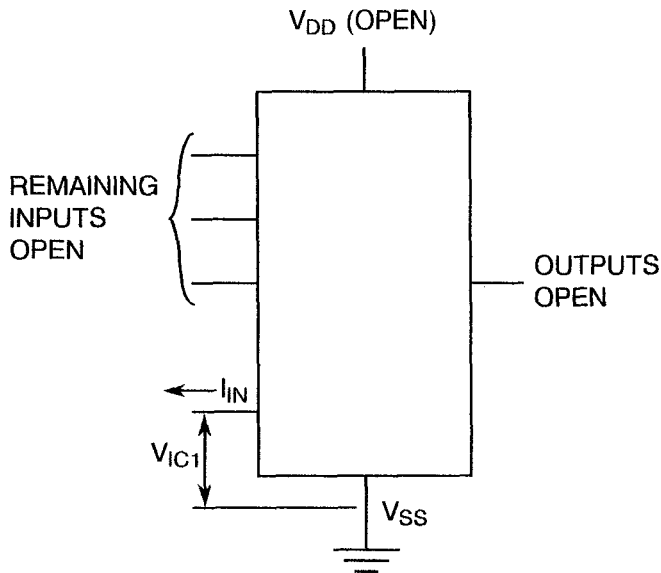




FIGURE 4 - CIRCUITS FOR ELECTRICAL MEASUREMENTS (CONTINUED)

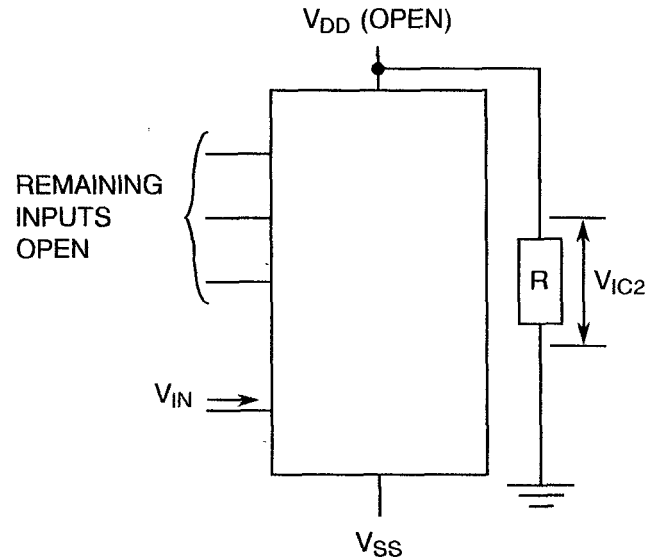
FIGURE 4(l) - INPUT CLAMP VOLTAGE (V_{SS})



NOTES

1. Each input to be tested separately.

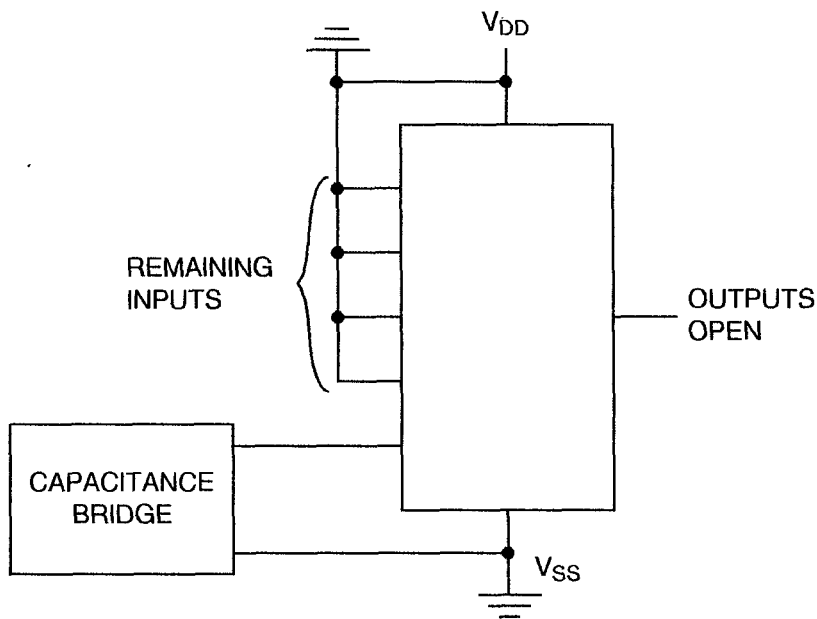
FIGURE 4(m) - INPUT CLAMP VOLTAGE (V_{DD})



NOTES

1. Each input to be tested separately.

FIGURE 4(n) - INPUT CAPACITANCE



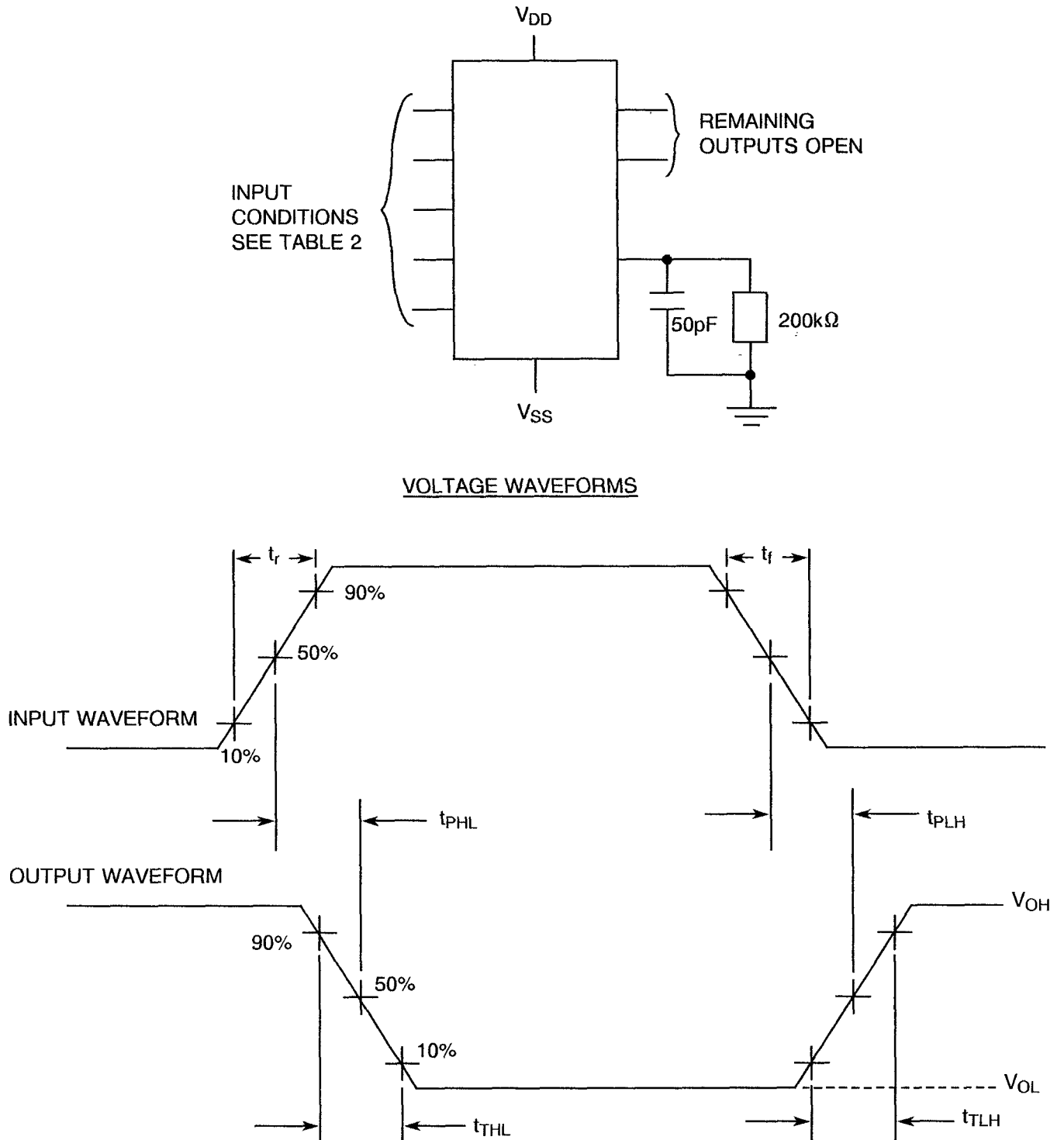
NOTES

1. Each input to be tested separately.
2. $f = 100\text{kHz}$ to 1MHz .



FIGURE 4 - CIRCUITS FOR ELECTRICAL MEASUREMENTS (CONTINUED)

FIGURE 4(o) - PROPAGATION DELAY AND TRANSITION TIME



NOTES

1. Pulse Generator - $V_P = 0$ to V_{DD} , t_r and $t_f \leq 15$ ns, $f = 500$ kHz.

**TABLE 4 - PARAMETER DRIFT VALUES**

No.	CHARACTERISTICS	SYMBOL	SPEC. AND/OR TEST METHOD	TEST CONDITIONS	CHANGE LIMITS (Δ)	UNIT
3 to 16	Quiescent Current	I_{DD}	As per Table 2	As per Table 2	± 150	nA
61 to 68	Output Drive Current N-Channel	I_{OL1}	As per Table 2	As per Table 2	± 15 (1)	%
77 to 84	Output Drive Current P-Channel	I_{OH1}	As per Table 2	As per Table 2	± 15 (1)	%
95	Threshold Voltage N-Channel	V_{THN}	As per Table 2	As per Table 2	± 0.3	V
96	Threshold Voltage P-Channel	V_{THP}	As per Table 2	As per Table 2	± 0.3	V

NOTES

1. Percentage of limit value if voltage is the measurement function.

**TABLE 5(a) - CONDITIONS FOR BURN-IN HIGH TEMPERATURE REVERSE BIAS, N-CHANNELS**

No.	CHARACTERISTICS	SYMBOL	CONDITION	UNIT
1	Ambient Temperature	T_{amb}	+ 125 (+ 0 – 5)	°C
2	Outputs - (Pins D/F 9-10-11-13-14-15-16-17) (Pins C 10-12-13-15-16-17-19-20)	V_{OUT}	Open	-
3	Inputs - (Pins D/F 1-2-3-4-5-6-7-8) (Pins C 1-2-3-5-6-7-8-9)	V_{IN}	Ground	Vdc
4	Inputs - (Pins D/F 18-19-20-21-22-23) (Pins C 21-22-23-24-26-27)	V_{IN}	V_{DD}	Vdc
5	Positive Supply Voltage (Pin D/F 24) (Pin C 28)	V_{DD}	15	Vdc
6	Negative Supply Voltage (Pin D/F 12) (Pin C 14)	V_{SS}	- Ground	Vdc

NOTES

1. Input Load = Protection Resistor = 2k Ω minimum to 47k Ω maximum.

TABLE 5(b) - CONDITIONS FOR BURN-IN HIGH TEMPERATURE REVERSE BIAS, P-CHANNELS

No.	CHARACTERISTICS	SYMBOL	CONDITION	UNIT
1	Ambient Temperature	T_{amb}	+ 125 (+ 0 – 5)	°C
2	Outputs - (Pins D/F 9-10-11-13-14-15-16-17) (Pins C 10-12-13-15-16-17-19-20)	V_{OUT}	Open	-
3	Inputs - (Pins D/F 1-2-3-4-5-6-7-8) (Pins C 1-2-3-5-6-7-8-9)	V_{IN}	V_{DD}	Vdc
4	Inputs - (Pins D/F 18-19-20-21-22-23) (Pins C 21-22-23-24-26-27)	V_{IN}	Ground	Vdc
5	Positive Supply Voltage (Pin D/F 24) (Pin C 28)	V_{DD}	15	Vdc
6	Negative Supply Voltage (Pin D/F 12) (Pin C 14)	V_{SS}	Ground	Vdc

NOTES

1. Input Load = Protection Resistor = 2k Ω minimum to 47k Ω maximum.

**TABLE 5(c) - CONDITIONS FOR POWER BURN-IN AND OPERATING LIFE TESTS**

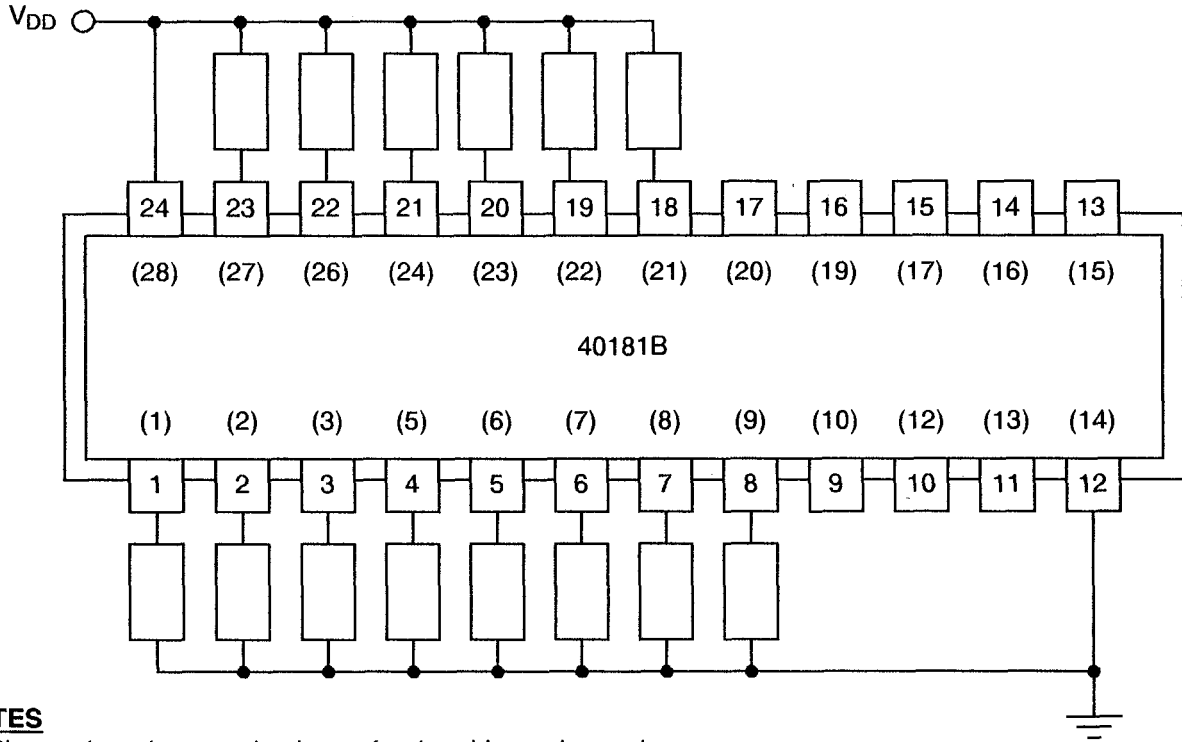
No.	CHARACTERISTICS	SYMBOL	CONDITIONS	UNIT
1	Ambient Temperature	T_{amb}	+ 125 (+ 0 – 5)	°C
2	Outputs - (Pins D/F 9-10-11-13-14-15-16-17) (Pins C 10-12-13-15-16-17-19-20)	V_{OUT}	$V_{DD}/2$	Vdc
3	Inputs - (Pins D/F 1-2-18-19-20-21-22-23) (Pins C 1-2-21-22-23-24-26-27)	V_{IN}	V_{GEN1}	Vac
4	Input - (Pin D/F 7) (Pin C 8)	V_{IN}	V_{GEN2}	Vac
5	Inputs - (Pins D/F 4-5-6-8) (Pins C 5-6-7-9)	V_{IN}	Ground	Vdc
6	Input - (Pin D/F 3) (Pin C 3)	V_{IN}	V_{DD}	Vdc
7	Pulse Voltage	V_{GEN}	0V to V_{DD}	Vac
8	Pulse Frequency Square Wave	f $\frac{GEN1}{GEN2}$	50k 50%Duty Cycle 25k 50%Duty Cycle	Hz
9	Positive Supply Voltage (Pin D/F 24) (Pin C 28)	V_{DD}	15	Vdc
10	Negative Supply Voltage (Pin D/F 12) (Pin C 14)	V_{SS}	Ground	Vdc

NOTES

1. Input Load = Output Load = 2k Ω minimum to 47k Ω maximum.



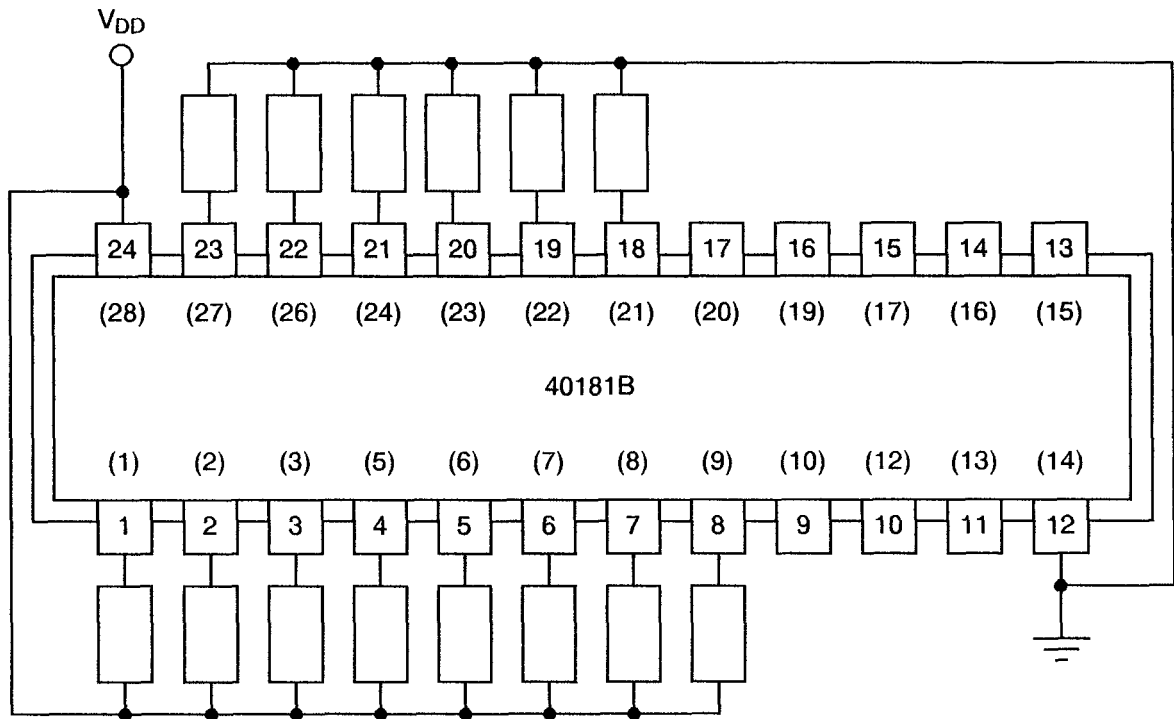
FIGURE 5(a) - ELECTRICAL CIRCUIT FOR BURN-IN HIGH TEMPERATURE REVERSE BIAS, N-CHANNELS



NOTES

- 1. Pin numbers in parenthesis are for the chip carrier package.

FIGURE 5(b) - ELECTRICAL CIRCUIT FOR BURN-IN HIGH TEMPERATURE REVERSE BIAS, P-CHANNELS

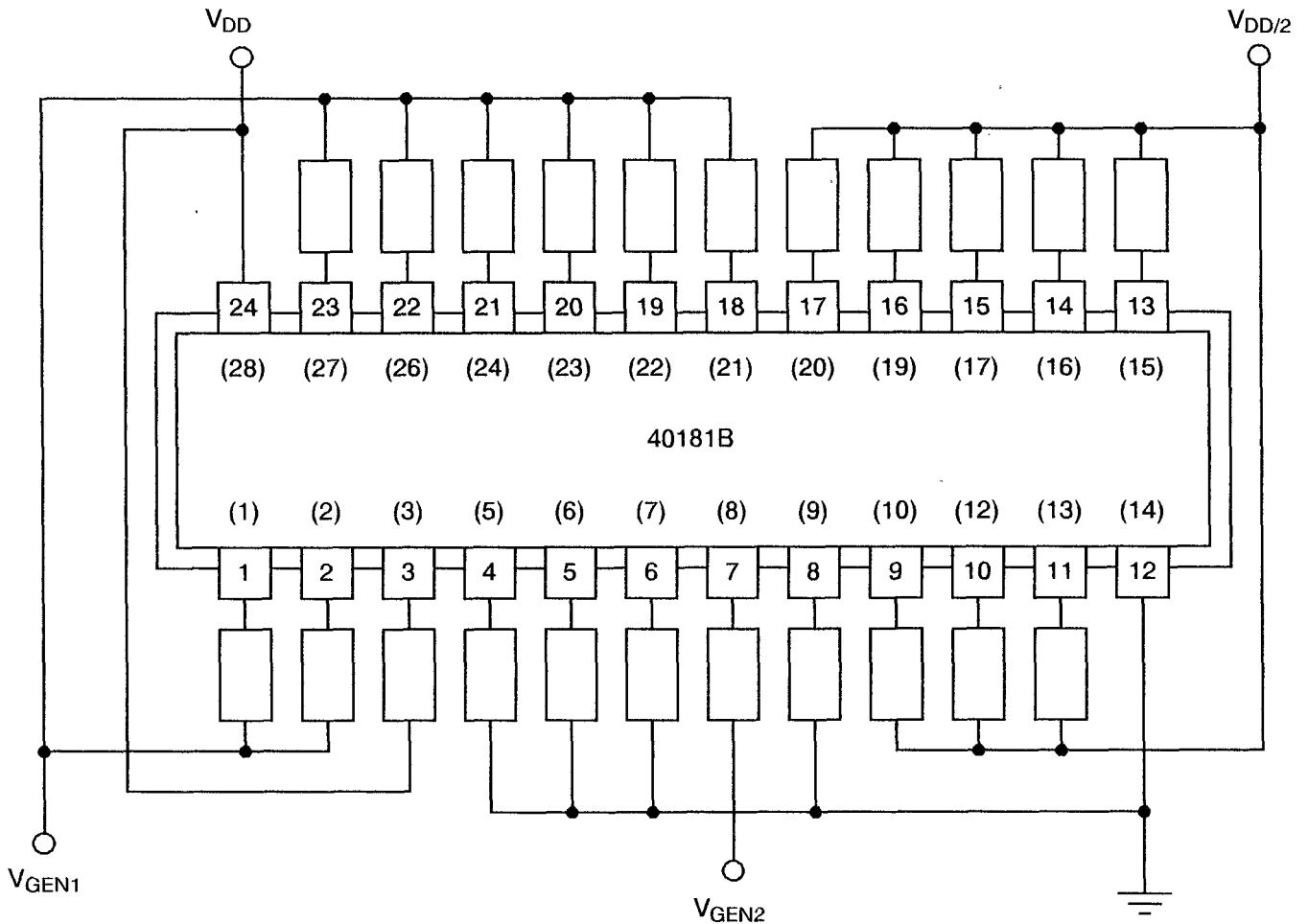


NOTES

- 1. Pin numbers in parenthesis are for the chip carrier package.



FIGURE 5(c) - ELECTRICAL CIRCUIT FOR POWER BURN-IN AND OPERATING LIFE TESTS



NOTES

1. Pin numbers in parenthesis are for the chip carrier package.



4.8 ENVIRONMENTAL AND ENDURANCE TESTS (CHARTS IV AND V OF ESA/SCC GENERIC SPECIFICATION NO. 9000)

4.8.1 Electrical Measurements on Completion of Environmental Tests

The parameters to be measured on completion of environmental tests are scheduled in Table 6. Unless otherwise stated, the measurements shall be performed at $T_{amb} = +22 \pm 3$ °C.

4.8.2 Electrical Measurements at Intermediate Points during Endurance Tests

The parameters to be measured at intermediate points during endurance tests are as scheduled in Table 6 of this specification.

4.8.3 Electrical Measurements on Completion of Endurance Tests

The parameters to be measured on completion of endurance testing are as scheduled in Table 6 of this specification. Unless otherwise stated, the measurements shall be performed at $T_{amb} = +22 \pm 3$ °C.

4.8.4 Conditions for Operating Life Test

The requirements for operating life testing are specified in Section 9 of ESA/SCC Generic Specification No. 9000. The conditions for operating life testing shall be as specified in Table 5(c) of this specification.

4.8.5 Electrical Circuits for Operating Life Tests

Circuits for use in performing the operating life test are shown in Figure 5(c) of this specification.

4.8.6 Conditions for High Temperature Storage Test

The requirements for the high temperature storage test are specified in ESA/SCC Generic Specification No. 9000. The temperature to be applied shall be the maximum storage temperature specified in Table 1(b) of this specification.



TABLE 6 - ELECTRICAL MEASUREMENTS ON COMPLETION OF ENVIRONMENTAL TESTS AND AT INTERMEDIATE POINTS AND ON COMPLETION OF ENDURANCE TESTING

No.	CHARACTERISTICS	SYMBOL	SPEC. AND/OR TEST METHOD	TEST CONDITIONS	CHANGE LIMITS (Δ)			UNIT
						MIN	MAX	
1	Functional Test	-	As per Table 2	As per Table 2	-	-	-	-
3 to 16	Quiescent Current	I_{DD}	As per Table 2	As per Table 2	± 150	-	-	nA
17 to 30	Input Current Low Level	I_{IL}	As per Table 2	As per Table 2	-	-	- 50	nA
31 to 44	Input Current High Level	I_{IH}	As per Table 2	As per Table 2	-	-	50	nA
45 to 52	Output Voltage Low Level	V_{OL}	As per Table 2	As per Table 2	-	-	0.05	V
53 to 60	Output Voltage High Level	V_{OH}	As per Table 2	As per Table 2	-	14.95	-	V
61 to 68	Output Drive Current N-Channel	I_{OL1}	As per Table 2	As per Table 2	± 15 (1)	-	-	%
69 to 76	Output Drive Current N-Channel	I_{OL2}	As per Table 2	As per Table 2	± 15 (1)	-	-	%
77 to 84	Output Drive Current P-Channel	I_{OH1}	As per Table 2	As per Table 2	± 15 (1)	-	-	%
85 to 92	Output Drive Current P-Channel	I_{OH2}	As per Table 2	As per Table 2	± 15 (1)	-	-	%
93	Input Voltage Low Level (Noise Immunity) (Functional Test)	V_{IL1}	As per Table 2	As per Table 2	-	4.5	-	V
	Input Voltage High Level (Noise Immunity) (Functional Test)	V_{IH1}			-	-	0.5	
95	Threshold Voltage N-Channel	V_{THN}	As per Table 2	As per Table 2	± 0.3	-	-	V
96	Threshold Voltage P-Channel	V_{THP}	As per Table 2	As per Table 2	± 0.3	-	-	V

NOTES

1. Percentage of limit value if voltage is the measurement function.

**SCC**ESA/SCC Detail Specification
No. 9202/068

Rev. 'B'

PAGE 45
ISSUE 1**APPENDIX 'A'**Page 1 of 1**AGREED DEVIATIONS FOR STMICROELECTRONICS (F)**

ITEMS AFFECTED	DESCRIPTION OF DEVIATION
Para. 4.2.3	Para. 9.23, High Temperature Reverse Bias Burn-in: The temperature limits of MIL-STD-883, Para. 4.5.8(c) may be used. Para. 9.24, Power Burn-in: The temperature limits of MIL-STD-883, Para. 4.5.8(c) may be used.
Para. 4.2.4	Para. 9.21.1, Operating Life during Qualification Testing: The temperature limits of MIL-STD-883, Para. 4.5.8(c) may be used.
Para. 4.2.5	Para. 9.21.2, Operating Life during Lot Acceptance Testing: The temperature limits of MIL-STD-883, Para. 4.5.8(c) may be used.