



**european space agency
agence spatiale européenne**



Pages 1 to 52

**INTEGRATED CIRCUITS, SILICON MONOLITHIC,
CMOS DUAL MONOSTABLE MULTIVIBRATOR
WITH RESET,
BASED ON TYPE 4538B**

ESA/SCC Detail Specification No. 9207/007



**space components
coordination group**

Issue/Rev.	Date	Approved by	
		SCCG Chairman	ESA Director General or his Deputy
Issue 2	April 2001		

**DOCUMENTATION CHANGE NOTICE**

Rev. Letter	Rev. Date	Reference	CHANGE Item	Approved DCR No.
		This Issue supersedes Issue 1 and incorporates all modifications defined in Revisions 'A', 'B' and 'C' to Issue 1 and the changes agreed in the following DCRs:-		
		Cover page		None
		DCN		None
		Para. 1.3	: New sentence added	221602
		Table 1(a)	: Variants 10 and 11 added	221565
		Table 1(b)	: No. 8, Maximum temperature amended	221602
		Figure 2(a)	: Side elevation corrected	221565
			: Dimension 'C' amended	221565
		Figure 2(c)	: In the drawing, Pin No. 20 location corrected	221550
		Figure 2(e)	: New page added	221565
		Notes to Figures	: Title amended	221565
		Figure 3(a)	: Left-hand Title amended	221565
			: "SO" added to comparison Titles	221565
		Para. 4.3.2	: SO package added to the text	221565
		Para. 4.4.2	: SO package added to the text	221565
		Para. 4.5.2	: SO package added to the text	221565
		Para. 4.8.6	: Last sentence deleted, new text added	221602
		Appendix 'A'	: Appendix added	221602


TABLE OF CONTENTS

		<u>Page</u>
1.	<u>GENERAL</u>	5
1.1	Scope	5
1.2	Component Type Variants	5
1.3	Maximum Ratings	5
1.4	Parameter Derating Information	5
1.5	Physical Dimensions	5
1.6	Pin Assignment	5
1.7	Truth Table	5
1.8	Circuit Schematic	5
1.9	Functional Diagram	5
1.10	Handling Precautions	5
1.11	Input Protection Network	5
1.12	Rapid Power-Down Protection Circuit	5
2.	<u>APPLICABLE DOCUMENTS</u>	16
3.	<u>TERMS, DEFINITIONS, ABBREVIATIONS, SYMBOLS AND UNITS</u>	16
4.	<u>REQUIREMENTS</u>	16
4.1	General	16
4.2	Deviations from Generic Specification	16
4.2.1	Deviations from Special In-process Controls	16
4.2.2	Deviations from Final Production Tests	16
4.2.3	Deviations from Burn-in Tests	16
4.2.4	Deviations from Qualification Tests	16
4.2.5	Deviations from Lot Acceptance Tests	17
4.3	Mechanical Requirements	17
4.3.1	Dimension Check	17
4.3.2	Weight	17
4.4	Materials and Finishes	17
4.4.1	Case	17
4.4.2	Lead Material and Finish	17
4.5	Marking	17
4.5.1	General	17
4.5.2	Lead Identification	17
4.5.3	The SCC Component Number	18
4.5.4	Traceability Information	18
4.6	Electrical Measurements	18
4.6.1	Electrical Measurements at Room Temperature	18
4.6.2	Electrical Measurements at High and Low Temperatures	18
4.6.3	Circuits for Electrical Measurements	18
4.7	Burn-in Tests	18
4.7.1	Parameter Drift Values	18
4.7.2	Conditions for H.T.R.B. and Power Burn-in	18
4.7.3	Electrical Circuits for H.T.R.B. and Power Burn-in	18
4.8	Environmental and Endurance Tests	49
4.8.1	Electrical Measurements on Completion of Environmental Tests	49
4.8.2	Electrical Measurements at Intermediate Points during Endurance Tests	49
4.8.3	Electrical Measurements on Completion of Endurance Tests	49
4.8.4	Conditions for Operating Life Test	49
4.8.5	Electrical Circuits for Operating Life Tests	49
4.8.6	Conditions for High Temperature Storage Test	49

<u>TABLES</u>	<u>Page</u>
1(a) Type Variants	6
1(b) Maximum Ratings	6
2 Electrical Measurements at Room Temperature, d.c. Parameters	19
Electrical Measurements at Room Temperature, a.c. Parameters	24
3(a) Electrical Measurements at High Temperature	27
3(b) Electrical Measurements at Low Temperature	32
4 Parameter Drift Values	44
5(a) Conditions for Burn-in High Temperature Reverse Bias, N-Channels	45
5(b) Conditions for Burn-in High Temperature Reverse Bias, P-Channels	45
5(c) Conditions for Power Burn-in and Operating Life Tests	46
6 Electrical Measurements on Completion of Environmental Tests and at Intermediate Points and on Completion of Endurance Testing	50

<u>FIGURES</u>	
1 Not applicable	
2 Physical Dimensions	7
3(a) Pin Assignment	13
3(b) Truth Table	13
3(c) Circuit Schematic	14
3(d) Functional Diagram	15
3(e) Input Protection Network	15
3(f) Rapid Power-Down Protection Circuit	15
4 Circuits for Electrical Measurements	37
5(a) Electrical Circuit for Burn-in High Temperature Reverse Bias, N-Channels	47
5(b) Electrical Circuit for Burn-in High Temperature Reverse Bias, P-Channels	47
5(c) Electrical Circuit for Power Burn-in and Operating Life Tests	48

<u>APPENDICES (Applicable to specific Manufacturers only)</u>	
'A' Agreed Deviations for STMicroelectronics (F)	52

	<p style="text-align: center;">ESA/SCC Detail Specification No. 9207/007</p>	<p>PAGE 5 ISSUE 2</p>
--	--	---------------------------

1. GENERAL

1.1 SCOPE

This specification details the ratings, physical and electrical characteristics, test and inspection data for a silicon monolithic, CMOS Dual Monostable Multivibrator with Reset, having fully buffered outputs, based on Type 4538B. It shall be read in conjunction with ESA/SCC Generic Specification No. 9000, the requirements of which are supplemented herein.

1.2 COMPONENT TYPE VARIANTS

Variants of the basic type integrated circuits specified herein, which are also covered by this specification, are given in Table 1(a).

1.3 MAXIMUM RATINGS

The maximum ratings, which shall not be exceeded at any time during use or storage, applicable to the integrated circuits specified herein, are as scheduled in Table 1(b).

Maximum ratings shall only be exceeded during testing to the extent specified in this specification and when stipulated in Test Methods and Procedures of the applicable ESA/SCC Generic Specification.

1.4 PARAMETER DERATING INFORMATION (FIGURE 1)

Not applicable.

1.5 PHYSICAL DIMENSIONS

The physical dimensions of the integrated circuits specified herein are shown in Figure 2.

1.6 PIN ASSIGNMENT

As per Figure 3(a).

1.7 TRUTH TABLE

As per Figure 3(b).

1.8 CIRCUIT SCHEMATIC

As per Figure 3(c).

1.9 FUNCTIONAL DIAGRAM

As per Figure 3(d).

1.10 HANDLING PRECAUTIONS

These devices are susceptible to damage by electrostatic discharge. Therefore, suitable precautions shall be employed for protection during all phases of manufacture, testing, packaging, shipment and any handling. These components are Categorised as Class 1 with a Minimum Critical Path Failure Voltage of 400 Volts.

1.11 INPUT PROTECTION NETWORK

Double diode protection shall be incorporated into each input as shown in Figure 3(e).

1.12 RAPID POWER-DOWN PROTECTION

During a rapid power-down condition, as would occur with a power-supply short circuit or with a poorly filtered power supply, the energy stored in C_X could discharge into Pins 2 or 14. To avoid possible device damage in this mode, when C_X is $\geq 0.5\mu F$, a protection diode with 1.0A or higher

**TABLE 1(a) - TYPE VARIANTS**

VARIANT	CASE	FIGURE	LEAD MATERIAL AND/OR FINISH
01	FLAT	2(a)	G2 or G8
02	FLAT	2(a)	G4
03	D.I.L.	2(b)	G2 or G8
04	D.I.L.	2(b)	G4
07	CHIP CARRIER	2(c)	2
08	D.I.L.	2(d)	G2
09	D.I.L.	2(d)	G4
10	SO CERAMIC	2(e)	G2
11	SO CERAMIC	2(e)	G4

TABLE 1(b) - MAXIMUM RATINGS

No.	CHARACTERISTICS	SYMBOL	MAXIMUM RATINGS	UNIT	REMARKS
1	Supply Voltage	V_{DD}	-0.5 to +18	V	Note 1
2	Input Voltage	V_{IN}	-0.5 to $V_{DD} + 0.5$	V	Note 2 Power on
3	D.C. Input Current	$\pm I_{IN}$	10	mA	Note 3
4	D.C. Output Current	$\pm I_O$	10	mA	Note 4
5	Device Dissipation	P_D	200	mWdc	Per Package
6	Output Dissipation	P_{DSO}	100	mWdc	Note 5
7	Operating Temperature Range	T_{op}	-55 to +125	°C	-
8	Storage Temperature Range	T_{stg}	-65 to +150	°C	-
9	Soldering Temperature For FP and DIP For CCP	T_{sol}	+300 +245	°C	Note 6 Note 7

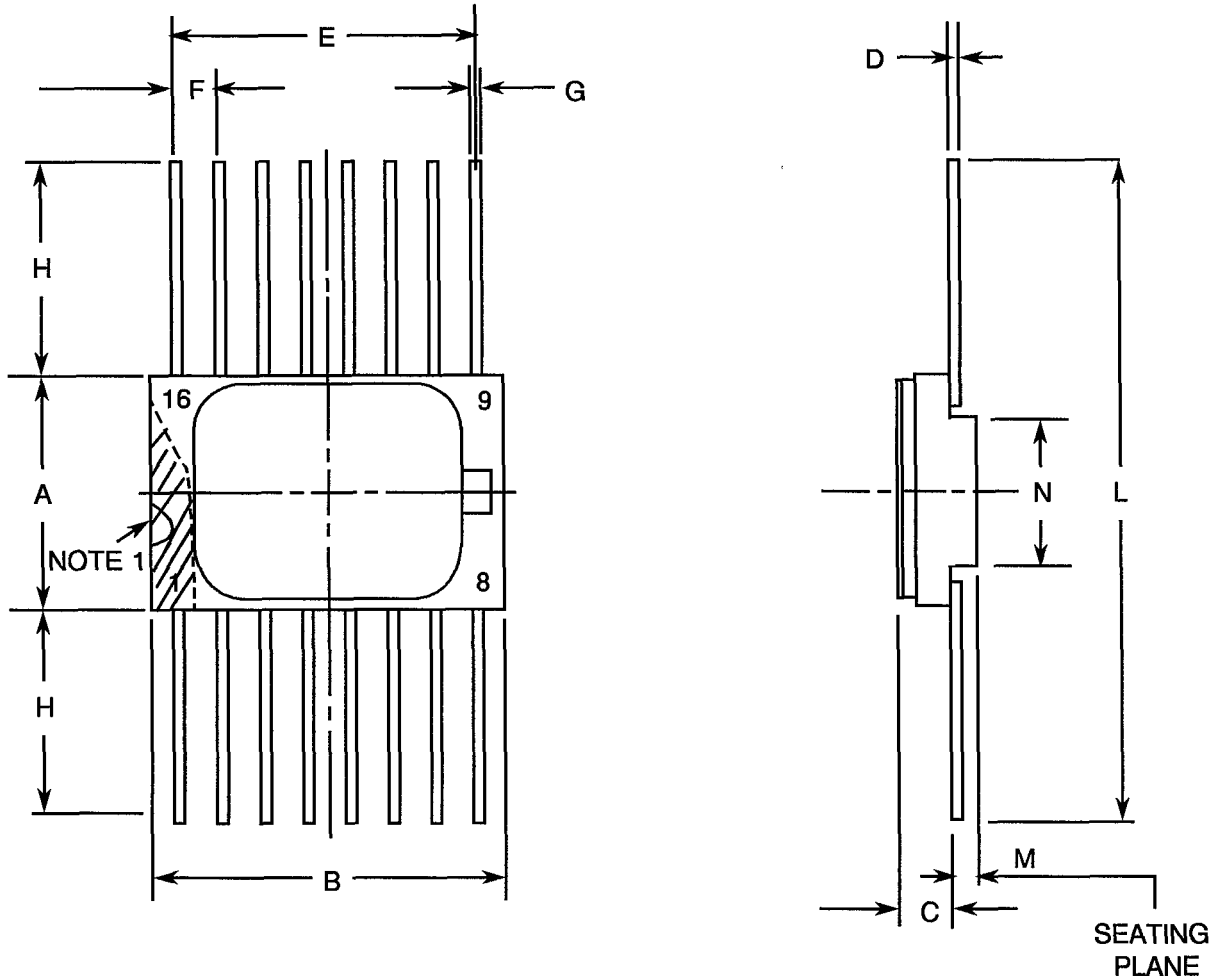
NOTES

- Device is functional from +3V to +15V with reference to V_{SS} .
- $V_{DD} + 0.5V$ should not exceed +18V.
- Any 1 input.
- The maximum output current of any single output.
- The maximum power dissipation of any single output.
- Duration 10 seconds maximum at a distance of not less than 1.5mm from the device body and the same lead shall not be resoldered until 3 minutes have elapsed.
- Duration 30 seconds maximum and the same terminal shall not be resoldered until 3 minutes have elapsed.



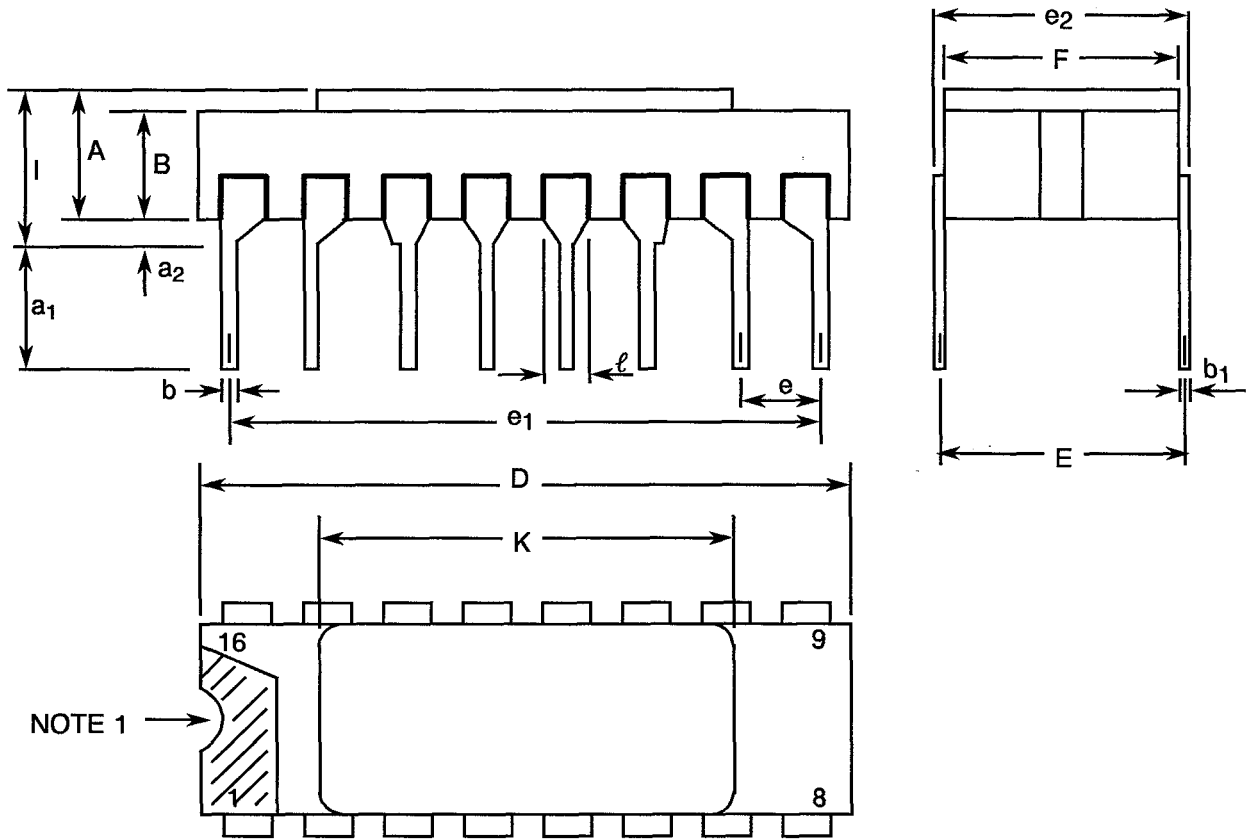
FIGURE 2 - PHYSICAL DIMENSIONS

FIGURE 2(a) - FLAT PACKAGE, 16-PIN



SYMBOL	MILLIMETRES		NOTES
	MIN	MAX	
A	6.75	7.06	
B	9.76	10.14	
C	1.49	1.95	
D	0.102	0.152	3
E	8.76	9.01	
F	1.27	TYPICAL	4
G	0.38	0.48	3
H	6.0	-	3
L	18.75	22.0	
M	0.33	0.43	
N	4.31	TYPICAL	

NOTES: See Page 12.

FIGURE 2 - PHYSICAL DIMENSIONS (CONTINUED)
FIGURE 2(b) - DUAL-IN-LINE PACKAGE, 16-PIN


NOTE 1

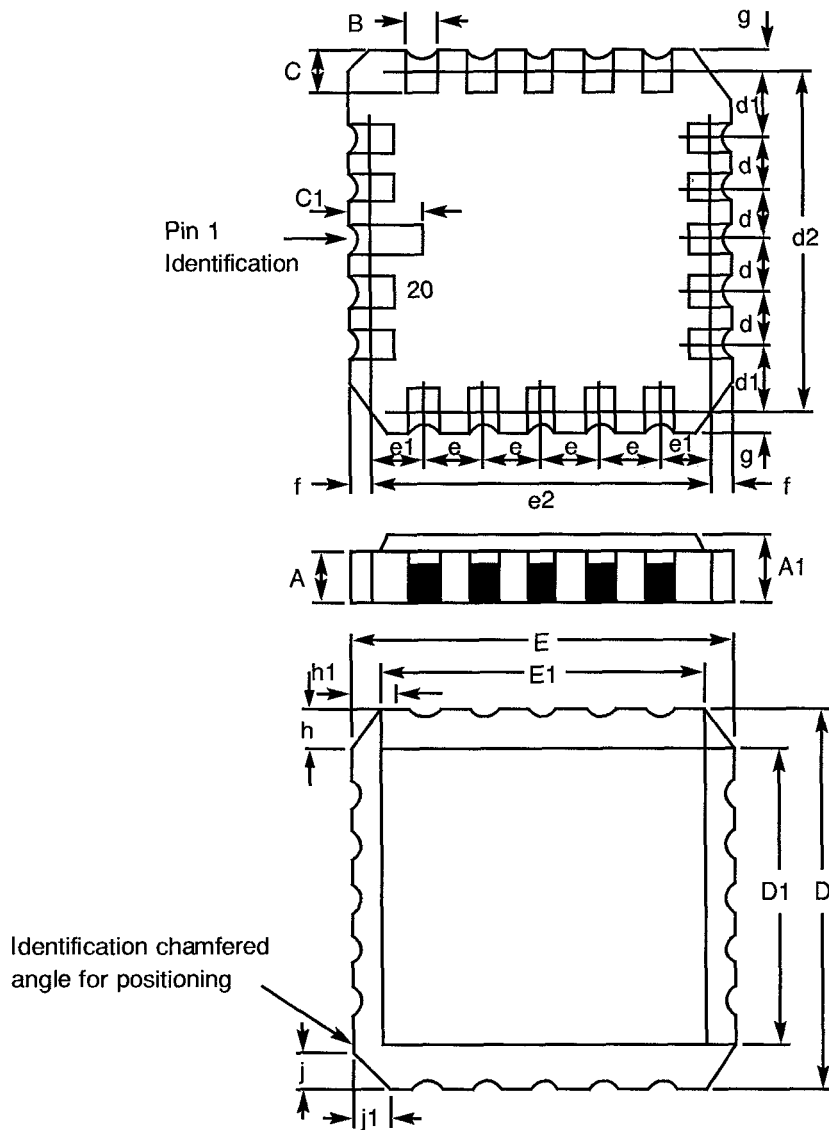
SYMBOL	MILLIMETRES		NOTES
	MIN	MAX	
A	2.10	2.54	
a ₁	3.0	3.7	
a ₂	0.63	1.14	2
B	1.82	2.23	
b	0.40	0.50	3
b ₁	0.20	0.30	3
D	18.79	19.20	
E	7.36	7.87	
e	2.41	2.67	4
e ₁	17.65	17.90	
e ₂	7.62	8.12	
F	7.11	7.62	
I	-	3.70	
K	10.90	12.10	
l	1.27 TYPICAL		

NOTES: See Page 12.



FIGURE 2 - PHYSICAL DIMENSIONS (CONTINUED)

FIGURE 2(c) - CHIP CARRIER - 20-TERMINAL



Identification chamfered angle for positioning

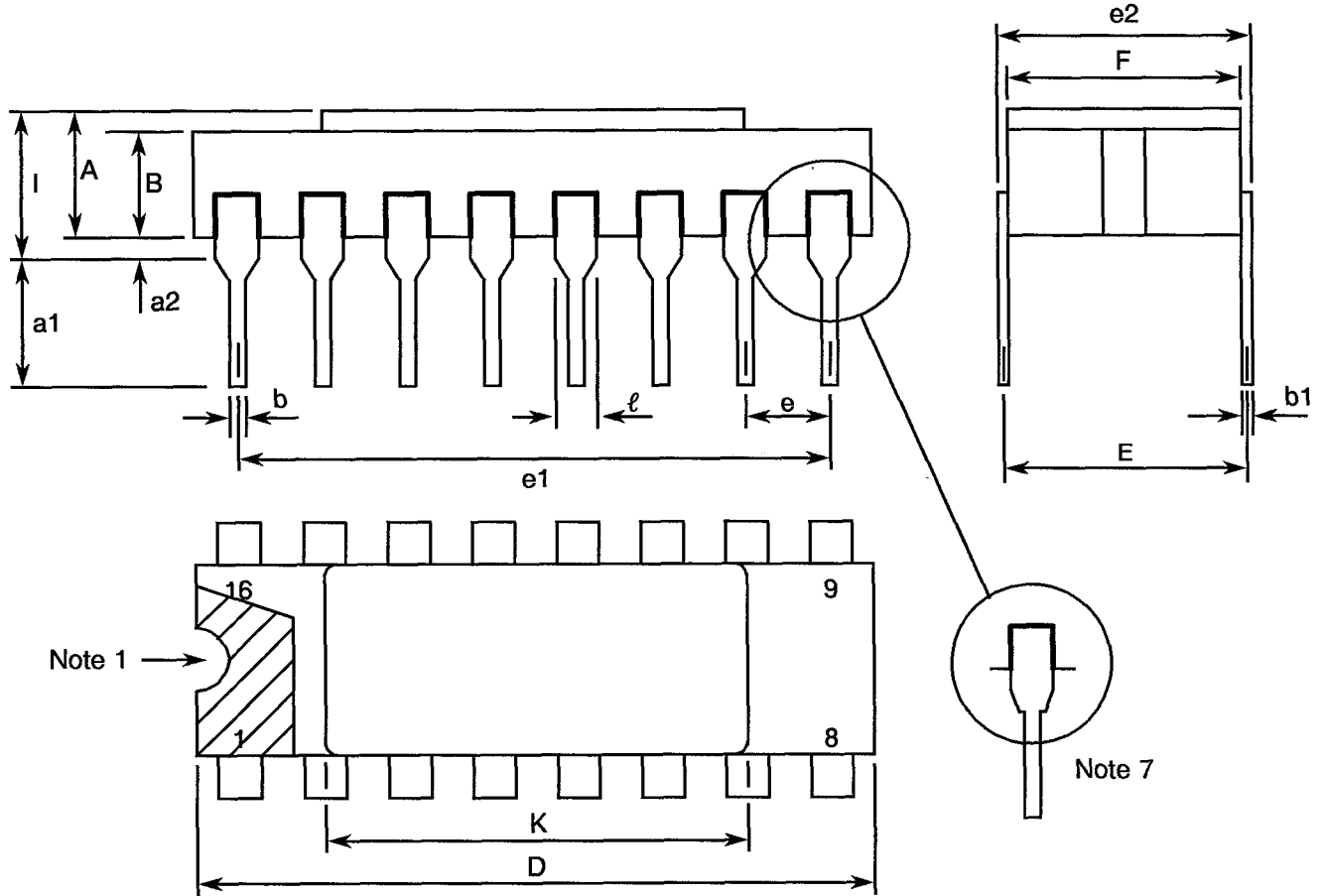
DIMENSIONS	MILLIMETRES		NOTES
	MIN	MAX	
A	1.14	1.95	
A1	1.63	2.36	
B	0.55	0.72	3
C	1.06	1.47	3
C ₁	1.91	2.41	
D	8.67	9.09	
D1	7.21	7.52	
d, d1	1.27	TYPICAL	4
d2	7.62	TYPICAL	
E	8.67	9.09	
E1	7.21	7.52	
e, e1	1.27	TYPICAL	4
e2	7.62	TYPICAL	
f, g	-	0.76	
h, h1	1.01	TYPICAL	6
j, j1	0.51	TYPICAL	5

NOTES: See Page 12.



FIGURE 2 - PHYSICAL DIMENSIONS (CONTINUED)

FIGURE 2(d) - DUAL-IN-LINE PACKAGE, 16-PIN



Note 1 →

Note 7

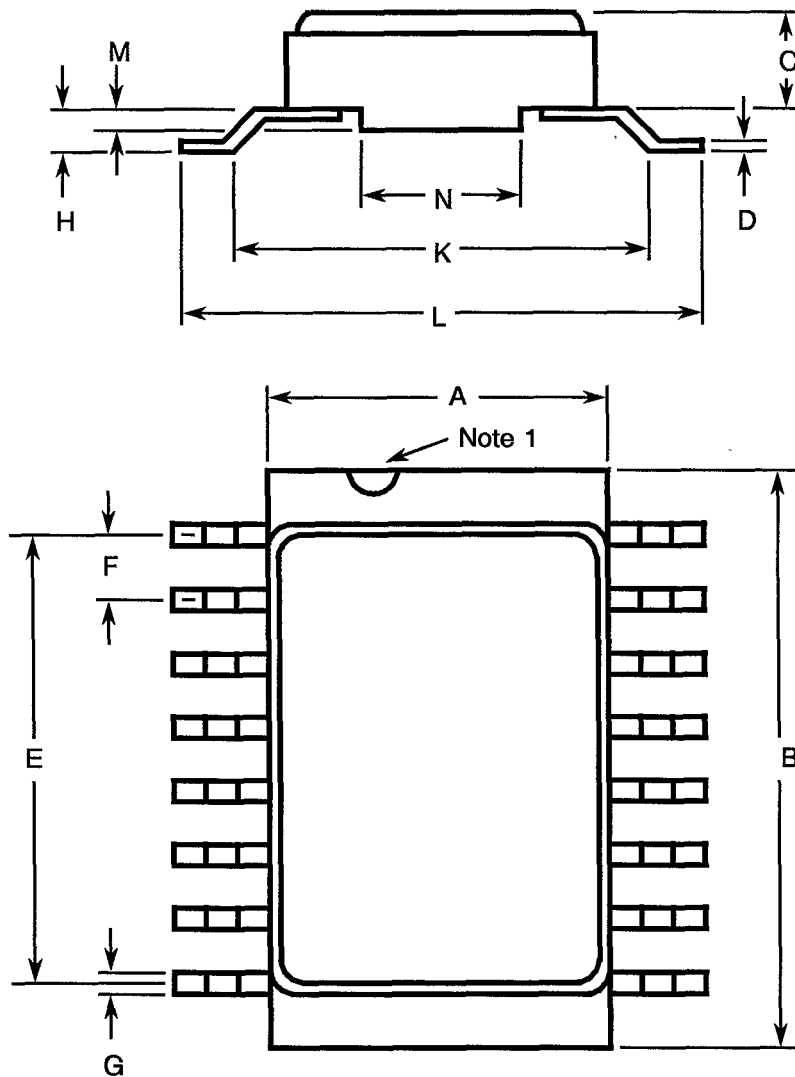
SYMBOL	MILLIMETRES		NOTES
	MIN	MAX	
A	2.10	2.71	
a1	3.00	3.70	
a2	0.63	1.14	3
B	1.82	2.39	
b	0.40	0.50	8
b1	0.20	0.30	8
D	20.06	20.58	
E	7.36	7.87	
e	2.54 TYPICAL		6, 9
e1	17.65	17.90	
e2	7.62	8.12	
F	7.29	7.70	
l	-	3.83	
K	10.90	12.10	
ℓ	1.14	1.50	8

NOTES: See Page 12.



FIGURE 2 - PHYSICAL DIMENSIONS (CONTINUED)

FIGURE 2(e) - SMALL OUTLINE CERAMIC PACKAGE, 16-PIN



SYMBOL	MILLIMETRES		NOTES
	MIN.	MAX.	
A	6.75	7.06	
B	9.76	10.14	
C	1.49	1.95	
D	0.102	0.152	3
E	8.76	9.01	
F	1.27 TYPICAL		4
G	0.38	0.48	3
H	0.60	0.90	3
K	9.00 TYPICAL		
L	10	10.65	
M	0.33	0.43	
N	4.31 TYPICAL		

NOTES: See Page 12.


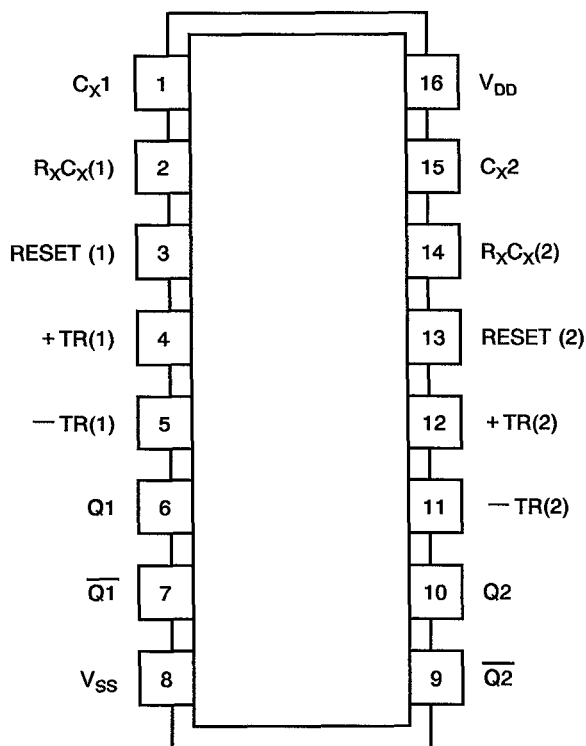
	ESA/SCC Detail Specification No. 9207/007		PAGE 12 ISSUE 2
--	--	--	--------------------

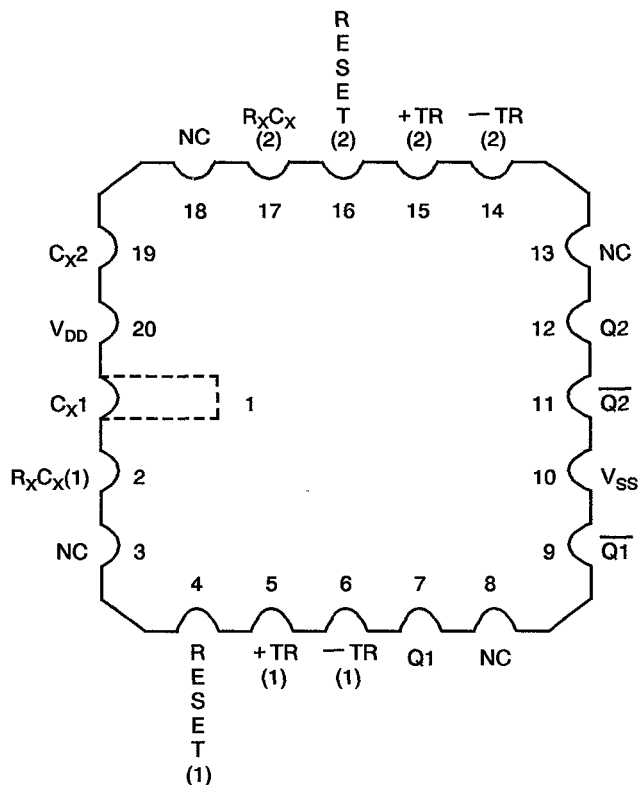
FIGURE 2 - PHYSICAL DIMENSIONS (CONTINUED)

NOTES TO FIGURES 2(a) TO 2(e) INCLUSIVE

1. Index area; a notch, letter or dot shall be located adjacent to Pin 1 and shall be within the shaded area shown. For chip carrier packages the index shall be as defined in Figure 2(c).
2. The dimension shall be measured from the seating plane to the base plane.
3. All leads or terminals.
4. 16 pin packages : 14 spaces
20 terminal packages : 12 spaces
5. Index corner only.
6. Three non-index corners.
7. For all pins, either pin shape may be supplied.

FIGURE 3(a) - PIN ASSIGNMENT
DUAL-IN-LINE, SO AND FLAT PACKAGES


(TOP VIEW)

CHIP CARRIER PACKAGE


(TOP VIEW)

NOTES

- Terminals 1, 8 and 15 are electrically connected internally.

FLAT PACKAGE, SO AND DUAL-IN-LINE TO CHIP CARRIER PIN ASSIGNMENT

FLAT PACKAGE, SO AND

DUAL-IN-LINE PIN OUTS 1 2 3 4 5 6 7 8 9 10 11 12 13 14 15 16

CHIP CARRIER PIN OUTS 1 2 4 5 6 7 9 10 11 12 14 15 16 17 19 20

FIGURE 3(b) - TRUTH TABLE (EACH MONOSTABLE)

INPUTS			OTHER CONNECTIONS	OUTPUTS		FUNCTION
+ TRIGGER	- TRIGGER	RESET		Q	\bar{Q}	
\lceil	H	H	-	\uparrow	\downarrow	Leading-Edge Trigger/Retriggerable
\lceil	-	H	- Trigger to \bar{Q}	\uparrow	-	Leading-Edge Trigger/Non-retriggerable
L	\lfloor	H	-	\uparrow	\downarrow	Trailing-Edge Trigger/Retriggerable
-	\lfloor	H	+ Trigger to Q	-	\downarrow	Trailing-Edge Trigger/Non-retriggerable

NOTES

- Logic Level Definitions: L = Low Level, H = High Level.
- \lceil = Positive-going Transition, \lfloor = Negative-going Transition.
- \uparrow = State change Low to High, \downarrow = State change High to Low.



FIGURE 3(c) - CIRCUIT SCHEMATIC

(HALF OF DEVICE SHOWN)

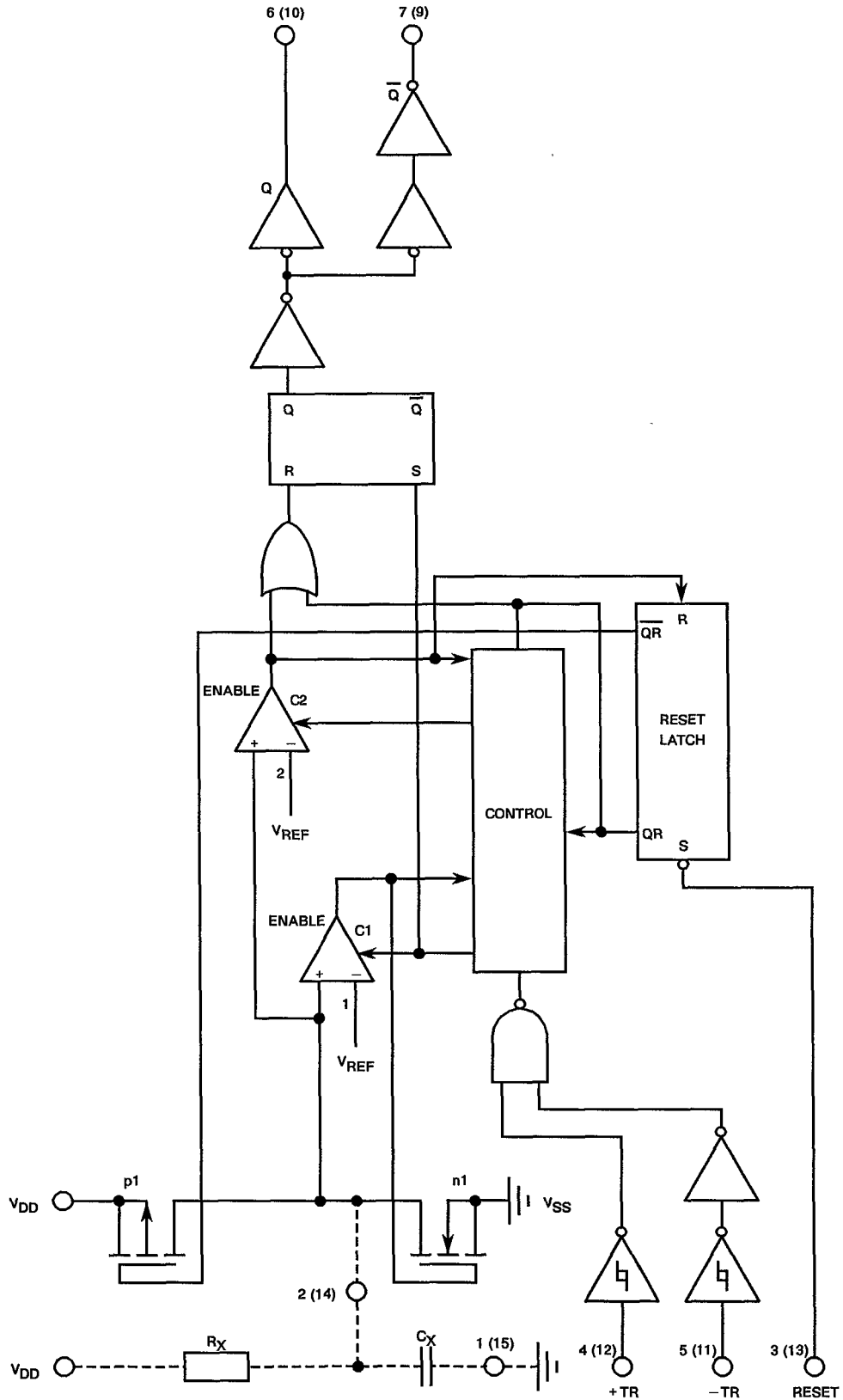
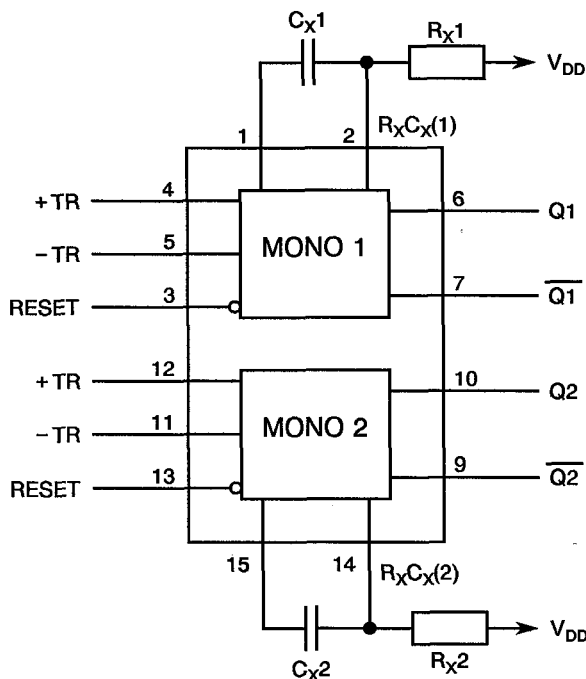




FIGURE 3(d) - FUNCTIONAL DIAGRAM



NOTES

- 1. $5\text{nF} < C_X < 100\mu\text{F}$
 $10\text{k}\Omega < R_X < 300\text{k}\Omega$.

FIGURE 3(e) - INPUT PROTECTION NETWORK

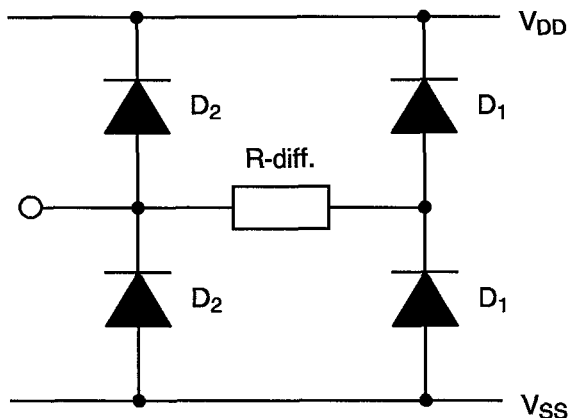
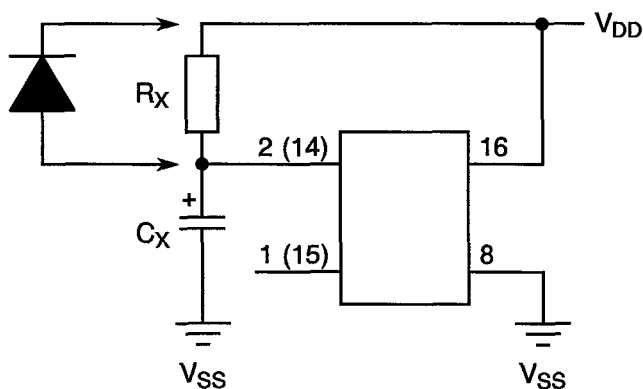


FIGURE 3(f) - RAPID POWER-DOWN PROTECTION CIRCUIT



		<p style="text-align: center;">ESA/SCC Detail Specification No. 9207/007</p>	<p>PAGE 16 ISSUE 2</p>
--	--	--	----------------------------

2. APPLICABLE DOCUMENTS

The following documents form part of this specification and shall be read in conjunction with it:-

- (a) ESA/SCC Generic Specification No. 9000 for Integrated Circuits.
- (b) MIL-STD-883, Test Methods and Procedures for Micro-electronics.

3. TERMS, DEFINITIONS, ABBREVIATIONS, SYMBOLS AND UNITS

For the purpose of this specification, the terms, definitions, abbreviations, symbols and units specified in ESA/SCC Basic Specification No. 21300 shall apply. In addition, the following abbreviations are used:

- V_{IC} - Input Clamp Voltage
- P_{DSO} - Single Output Power Dissipation
- CKT - Circuit.

4. REQUIREMENTS

4.1 GENERAL

The complete requirements for procurement of the integrated circuits specified herein shall be as stated in this specification and ESA/SCC Generic Specification No. 9000 for Integrated Circuits. Deviations from the Generic Specification, applicable to this specification only, are listed in Para. 4.2.

Deviations from the applicable Generic Specification and this Detail Specification, formally agreed with specific Manufacturers on the basis that the alternative requirements are equivalent to the ESA/SCC requirement and do not affect the components' reliability, are listed in the appendices attached to this specification.

4.2 DEVIATIONS FROM GENERIC SPECIFICATION

4.2.1 Deviations from Special In-process Controls

None.

4.2.2 Deviations from Final Production Tests (Chart II)

None.

4.2.3 Deviations from Burn-in Tests (Chart III)

4.2.3.1 Deviations from High Temperature Reverse Bias (H.T.R.B.)

Prior to operating power burn-in, a high temperature reverse bias (H.T.R.B.) screen at + 125°C shall be added for the N-Channel and then for the P-Channel in accordance with Tables 5(a) and 5(b) of this specification. Each exposure to H.T.R.B. shall be 72 hours and Table 4 Parameter Drift Values shall be applied at 0 and 144 hours.

4.2.4 Deviations from Qualification Tests (Chart IV)

None.

	<p style="text-align: center;">ESA/SCC Detail Specification No. 9207/007</p>	<p>PAGE 17 ISSUE 2</p>
--	--	----------------------------

4.2.5 Deviations from Lot Acceptance Tests (Chart V)

None.

4.3 MECHANICAL REQUIREMENTS

4.3.1 Dimension Check

The dimensions of the integrated circuits specified herein shall be checked. They shall conform to those shown in Figure 2.

4.3.2 Weight

The maximum weight of the integrated circuits specified herein shall be 1.5 grammes for the dual-in-line package, 0.6 grammes for the flat and SO packages and 0.52 grammes for the chip carrier package.

4.4 MATERIALS AND FINISHES

The materials and finishes shall be as specified herein. Where a definite material is not specified, a material which will enable the integrated circuits specified herein to meet the performance requirements of this specification shall be used. Acceptance or approval of any constituent material does not guarantee acceptance of the finished product.

4.4.1 Case

The case shall be hermetically sealed and have a metal body with hard glass seals or a ceramic body and the lids shall be welded, brazed or preform-soldered.

4.4.2 Lead Material and Finish

For dual-in-line and flat packages, the material shall be Type 'G' with either Type '4' or Type '2 or 8' finish in accordance with ESA/SCC Basic Specification No. 23500. For chip carrier packages the finish shall be Type '2' in accordance with ESA/SCC Basic Specification No. 23500. For SO ceramic packages, the material shall be Type 'G' with either Type '2' or Type '4' finish in accordance with ESA/SCC Basic Specification No. 23500. (See Table 1(a) for Type Variants).

4.5 MARKING

4.5.1 General

The marking of all components delivered to this specification shall be in accordance with the requirements of ESA/SCC Basic Specification No. 21700. Each component shall be marked in respect of:-

- (a) Lead Identification.
- (b) The SCC Component Number.
- (c) Traceability Information.

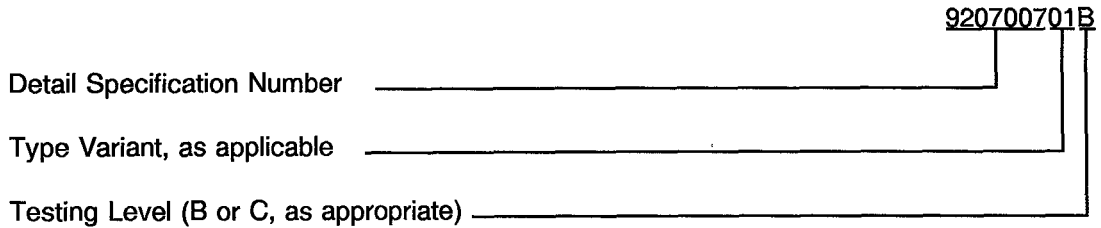
4.5.2 Lead Identification

For dual-in-line, flat and SO packages, an index shall be located at the top of the package in the position defined in Note 1 to Figure 2 or, alternatively, a tab may be used to identify Pin No. 1. The pin numbering must be read with the index or tab on the left-hand side. For chip carrier packages, the index shall be as defined by Figure 2(c).



4.5.3 The SCC Component Number

Each component shall bear the SCC Component Number which shall be constituted and marked as follows:



4.5.4 Traceability Information

Each component shall be marked in respect of traceability information in accordance with the requirements of ESA/SCC Basic Specification No. 21700.

4.6 ELECTRICAL MEASUREMENTS

4.6.1 Electrical Measurements at Room Temperature

The parameters to be measured in respect of electrical characteristics are scheduled in Table 2. Unless otherwise specified, the measurements shall be performed at $T_{amb} = +22 \pm 3$ °C.

4.6.2 Electrical Measurements at High and Low Temperatures

The parameters to be measured at high and low temperatures are scheduled in Table 3. The measurements shall be performed at $T_{amb} = +125(+0-5)$ °C and $-55(+5-0)$ °C respectively.

4.6.3 Circuits for Electrical Measurements

Circuits and functional test sequence for use in performing electrical measurements listed in Tables 2 and 3 of this specification are shown in Figure 4.

4.7 BURN-IN TESTS

4.7.1 Parameter Drift Values

The parameter drift values applicable to burn-in are specified in Table 4 of this specification. Unless otherwise stated, measurements shall be performed at $T_{amb} = +22 \pm 3$ °C. The parameter drift values (Δ) applicable to the parameters scheduled, shall not be exceeded. In addition to these drift value requirements, the appropriate limit value specified for a given parameter in Table 2 shall not be exceeded.

4.7.2 Conditions for H.T.R.B. and Power Burn-in

The requirements for H.T.R.B. and Power Burn-in are specified in Section 7 of ESA/SCC Generic Specification No. 9000. The conditions for H.T.R.B. and Power Burn-in shall be as specified in Tables 5(a), 5(b) and 5(c) of this specification.

4.7.3 Electrical Circuits for H.T.R.B. and Power Burn-in

Circuits for use in performing the H.T.R.B. and Power Burn-in tests are shown in Figures 5(a), 5(b) and 5(c) of this specification.

**TABLE 2 - ELECTRICAL MEASUREMENTS AT ROOM TEMPERATURE - d.c. PARAMETERS**

No.	CHARACTERISTICS	SYMBOL	TEST METHOD MIL-STD 883	TEST FIG.	TEST CONDITIONS (PINS UNDER TEST D/F = DIP AND FP C = CCP)	LIMITS		UNIT
						MIN	MAX	
1	Functional Test	-	-	4(a)	Verify Truth Table without Load. $V_{DD} = 3V_{dc}$, $V_{SS} = 0V_{dc}$ Notes 1 and 2	-	-	-
2	Functional Test	-	-	4(a)	Verify Truth Table without Load. $V_{DD} = 15V_{dc}$, $V_{SS} = 0V_{dc}$ Notes 1 and 2	-	-	-
3 to 14	Quiescent Current	I_{DD}	3005	4(b)	$V_{IL} = 0V_{dc}$, $V_{IH} = 15V_{dc}$ $V_{DD} = 15V_{dc}$, $V_{SS} = 0V_{dc}$ Note 3 (Pin D/F 16) (Pin C 20)	-	500	nA
15 to 20	Input Current Low Level	I_{IL}	3009	4(c)	V_{IN} (Under Test) = $0V_{dc}$ V_{IN} (Remaining Inputs) = $15V_{dc}$ $V_{DD} = 15V_{dc}$, $V_{SS} = 0V_{dc}$ (Pins D/F 3-4-5-11-12-13) (Pins C 4-5-6-14-15-16)	-	-50	nA
21 to 26	Input Current High Level	I_{IH}	3010	4(d)	V_{IN} (Under Test) = $15V_{dc}$ V_{IN} (Remaining Inputs) = $0V_{dc}$ $V_{DD} = 15V_{dc}$, $V_{SS} = 0V_{dc}$ (Pins D/F 3-4-5-11-12-13) (Pins C 4-5-6-14-15-16)	-	50	nA
27 to 28	Output Voltage Low Level Q Outputs	V_{OL1}	3007	4(e)	Monostable Under Test: V_{IN} (Reset and + Trigger) = $0V_{dc}$ V_{IN} (- Trigger) = $15V_{dc}$ V_{OUT} = Open Other Monostable: $V_{IN} = 0V_{dc}$ $V_{DD} = 15V_{dc}$, $V_{SS} = 0V_{dc}$ (Pins D/F 6-10) (Pins C 7-12)	-	0.05	V

NOTES: See Page 26.

**TABLE 2 - ELECTRICAL MEASUREMENTS AT ROOM TEMPERATURE - d.c. PARAMETERS (CONT'D)**

No.	CHARACTERISTICS	SYMBOL	TEST METHOD MIL-STD 883	TEST FIG.	TEST CONDITIONS (PINS UNDER TEST D/F = DIP AND FP C = CCP)	LIMITS		UNIT
						MIN	MAX	
29 to 30	Output Voltage Low Level Q Outputs	V_{OL2}	3007	4(e)	Monostable Under Test: V_{IN} (All Inputs) = 15Vdc V_{OUT} = Open Other Monostable: V_{IN} = 0Vdc V_{DD} = 15Vdc, V_{SS} = 0Vdc (Pins D/F 7-9) (Pins C 9-11)	-	0.05	V
31 to 32	Output Voltage High Level Q Outputs	V_{OH1}	3006	4(f)	Monostable Under Test: V_{IN} (All Inputs) = 15Vdc V_{OUT} = Open Other Monostable: V_{IN} = 0Vdc V_{DD} = 15Vdc, V_{SS} = 0Vdc (Pins D/F 6-10) (Pins C 7-12)	14.95	-	V
33 to 34	Output Voltage High Level Q Outputs	V_{OH2}	3006	4(f)	Monostable Under Test: V_{IN} (Reset and + Trigger) = 0Vdc V_{IN} (- Trigger) = 15Vdc V_{OUT} = 0Vdc Other Monostable: V_{IN} = 0Vdc V_{DD} = 15Vdc, V_{SS} = 0Vdc (Pins D/F 7-9) (Pins C 9-11)	14.95	-	V
35 to 36	Output Drive Current N-Channel Q Outputs	I_{OL1}	-	4(g)	Monostable Under Test: V_{IN} (Reset and + Trigger) = 0Vdc V_{IN} (- Trigger) = 5Vdc V_{OUT} = 0.4Vdc Other Monostable: V_{IN} = 0Vdc V_{DD} = 5Vdc, V_{SS} = 0Vdc Note 4 (Pins D/F 6-10) (Pins C 7-12)	0.51	-	mA

NOTES: See Page 26.



TABLE 2 - ELECTRICAL MEASUREMENTS AT ROOM TEMPERATURE - d.c. PARAMETERS (CONT'D)

No.	CHARACTERISTICS	SYMBOL	TEST METHOD MIL-STD 883	TEST FIG.	TEST CONDITIONS (PINS UNDER TEST D/F = DIP AND FP C = CCP)	LIMITS		UNIT
						MIN	MAX	
37 to 38	Output Drive Current N-Channel Q Outputs	I_{OL2}	-	4(g)	Monostable Under Test: V_{IN} (All Inputs) = 5Vdc $V_{OUT} = 0.4Vdc$ Other Monostable: $V_{IN} = 0Vdc$ $V_{DD} = 5Vdc, V_{SS} = 0Vdc$ Note 4 (Pins D/F 7-9) (Pins C 9-11)	0.51	-	mA
39 to 40	Output Drive Current N-Channel Q Outputs	I_{OL3}	-	4(g)	Monostable Under Test: V_{IN} (Reset and + Trigger) = 0Vdc V_{IN} (- Trigger) = 15Vdc $V_{OUT} = 1.5Vdc$ Other Monostable: $V_{IN} = 0Vdc$ $V_{DD} = 15Vdc, V_{SS} = 0Vdc$ Note 4 (Pins D/F 6-10) (Pins C 7-12)	3.4	-	mA
41 to 42	Output Drive Current N-Channel Q Outputs	I_{OL4}	-	4(g)	Monostable Under Test: V_{IN} (All Inputs) = 15Vdc $V_{OUT} = 1.5Vdc$ Other Monostable: $V_{IN} = 0Vdc$ $V_{DD} = 15Vdc, V_{SS} = 0Vdc$ Note 4 (Pins D/F 7-9) (Pins C 9-11)	3.4	-	mA
43 to 44	Output Drive Current P-Channel Q Outputs	I_{OH1}	-	4(h)	Monostable Under Test: V_{IN} (All Inputs) = 5Vdc $V_{OUT} = 4.6Vdc$ Other Monostable: $V_{IN} = 0Vdc$ $V_{DD} = 5Vdc, V_{SS} = 0Vdc$ Note 4 (Pins D/F 6-10) (Pins C 7-12)	-0.51	-	mA

NOTES: See Page 26.

**TABLE 2 - ELECTRICAL MEASUREMENTS AT ROOM TEMPERATURE - d.c. PARAMETERS (CONT'D)**

No.	CHARACTERISTICS	SYMBOL	TEST METHOD MIL-STD 883	TEST FIG.	TEST CONDITIONS (PINS UNDER TEST D/F = DIP AND FP C = CCP)	LIMITS		UNIT
						MIN	MAX	
45 to 46	Output Drive Current P-Channel Q Outputs	I_{OH2}	-	4(h)	Monostable Under Test: V_{IN} (Reset and + Trigger) = 0Vdc V_{IN} (- Trigger) = 5Vdc V_{OUT} = 4.6Vdc Other Monostable: V_{IN} = 0Vdc V_{DD} = 5Vdc, V_{SS} = 0Vdc Note 4 (Pins D/F 7-9) (Pins C 9-11)	-0.51	-	mA
47 to 48	Output Drive Current P-Channel Q Outputs	I_{OH3}	-	4(h)	Monostable Under Test: V_{IN} (All Inputs) = 15Vdc V_{OUT} = 13.5Vdc Other Monostable: V_{IN} = 0Vdc V_{DD} = 15Vdc, V_{SS} = 0Vdc Note 4 (Pins D/F 6-10) (Pins C 7-12)	-3.4	-	mA
49 to 50	Output Drive Current P-Channel Q Outputs	I_{OH4}	-	4(h)	Monostable Under Test: V_{IN} (Reset and + Trigger) = 0Vdc V_{IN} (- Trigger) = 15Vdc V_{OUT} = 13.5Vdc Other Monostable: V_{IN} = 0Vdc V_{DD} = 15Vdc, V_{SS} = 0Vdc Note 4 (Pins D/F 7-9) (Pins C 9-11)	-3.4	-	mA
51	Input Voltage Low Level (Noise Immunity) (Functional Test)	V_{IL1}	-	4(a)	V_{IL} = 1.5Vdc V_{IH} = 3.5Vdc V_{DD} = 5Vdc, V_{SS} = 0Vdc Note 5 (Pins D/F 6-7-9-10) (Pins C 7-9-11-12)	4.5	-	V
	Input Voltage High Level (Noise Immunity) (Functional Test)	V_{IH1}	-			-	0.5	

NOTES: See Page 26.



TABLE 2 - ELECTRICAL MEASUREMENTS AT ROOM TEMPERATURE - d.c. PARAMETERS (CONT'D)

No.	CHARACTERISTICS	SYMBOL	TEST METHOD MIL-STD 883	TEST FIG.	TEST CONDITIONS (PINS UNDER TEST D/F = DIP AND FP C = CCP)	LIMITS		UNIT
						MIN	MAX	
52	Input Voltage Low Level (Noise Immunity) (Functional Test)	V_{IL2}	-	4(a)	$V_{IL} = 4Vdc$ $V_{IH} = 11Vdc$ $V_{DD} = 15Vdc, V_{SS} = 0Vdc$ Note 5 (Pins D/F 6-7-9-10) (Pins C 7-9-11-12)	13.5	-	V
	Input Voltage High Level (Noise Immunity) (Functional Test)	V_{IH2}	-			-	1.5	
53	Threshold Voltage N-Channel	V_{THN}	-	4(i)	+ TR(1) Input at Ground C_{X1} , Reset (1), C_{X2} and Reset (2) Inputs connected to V_{SS} V_{IN} (All Other Inputs) = 5Vdc $V_{DD} = 5Vdc, I_{SS} = -10\mu A$ (Pin D/F 8) (Pin C 10)	-0.7	-3.0	V
54	Threshold Voltage P-Channel	V_{THP}	-	4(j)	+ TR(1) Input at Ground V_{IN} (All Other Inputs) = -5Vdc $V_{SS} = -5Vdc, I_{DD} = 10\mu A$ (Pin D/F 16) (Pin C 20)	0.7	3.0	V
55 to 60	Input Clamp Voltage (to V_{SS})	V_{IC1}	-	4(k)	I_{IN} (Under Test) = - 100 μA $V_{DD} = \text{Open}, V_{SS} = 0Vdc$ All other Pins Open (Pins D/F 3-4-5-11-12-13) (Pins C 4-5-6-14-15-16)	-	-2.0	V
61 to 66	Input Clamp Voltage (to V_{DD})	V_{IC2}	-	4(l)	V_{IN} (Under Test) = 6Vdc $V_{SS} = \text{Open}, R = 30k\Omega$ (Pins D/F 3-4-5-11-12-13) (Pins C 4-5-6-14-15-16)	3.0	-	V

NOTES: See Page 26.



TABLE 2 - ELECTRICAL MEASUREMENTS AT ROOM TEMPERATURE - a.c. PARAMETERS

No.	CHARACTERISTICS	SYMBOL	TEST METHOD MIL-STD 883	TEST FIG.	TEST CONDITIONS (PINS UNDER TEST D/F = DIP AND FP C = CCP)	LIMITS		UNIT						
						MIN	MAX							
67 to 72	Input Capacitance	C_{IN}	3012	4(m)	V_{IN} (Not Under Test) = 0Vdc $V_{DD} = 0Vdc, V_{SS} = 0Vdc$ Note 6 (Pins D/F 3-4-5-11-12-13) (Pins C 4-5-6-14-15-16)	-	7.5	pF						
73 to 74	Propagation Delay Low to High + Trigger to Q	t_{PLH1}	3003	4(n)	V_{IN} (Under Test) = Pulse Generator V_{IN} (All Other Inputs) = 5Vdc $V_{DD} = 5Vdc, V_{SS} = 0Vdc$ Note 7 <table border="0" style="margin-left: auto; margin-right: auto;"> <tr> <td style="text-align: center;"><u>Pins D/F</u></td> <td style="text-align: center;"><u>Pins C</u></td> </tr> <tr> <td style="text-align: center;">4 to 6</td> <td style="text-align: center;">5 to 7</td> </tr> <tr> <td style="text-align: center;">12 to 10</td> <td style="text-align: center;">15 to 12</td> </tr> </table>	<u>Pins D/F</u>	<u>Pins C</u>	4 to 6	5 to 7	12 to 10	15 to 12	-	600	ns
<u>Pins D/F</u>	<u>Pins C</u>													
4 to 6	5 to 7													
12 to 10	15 to 12													
75 to 76	Propagation Delay Low to High Reset to \bar{Q}	t_{PLH2}	3003	4(n)	V_{IN} (Under Test) = Pulse Generator V_{IN} (All Other Inputs) = 5Vdc $V_{DD} = 5Vdc, V_{SS} = 0Vdc$ Note 7 <table border="0" style="margin-left: auto; margin-right: auto;"> <tr> <td style="text-align: center;"><u>Pins D/F</u></td> <td style="text-align: center;"><u>Pins C</u></td> </tr> <tr> <td style="text-align: center;">3 to 7</td> <td style="text-align: center;">4 to 9</td> </tr> <tr> <td style="text-align: center;">13 to 9</td> <td style="text-align: center;">16 to 11</td> </tr> </table>	<u>Pins D/F</u>	<u>Pins C</u>	3 to 7	4 to 9	13 to 9	16 to 11	-	500	ns
<u>Pins D/F</u>	<u>Pins C</u>													
3 to 7	4 to 9													
13 to 9	16 to 11													
77 to 78	Propagation Delay High to Low + Trigger to \bar{Q}	t_{PHL1}	3003	4(n)	V_{IN} (Under Test) = Pulse Generator V_{IN} (All Other Inputs) = 5Vdc $V_{DD} = 5Vdc, V_{SS} = 0Vdc$ Note 7 <table border="0" style="margin-left: auto; margin-right: auto;"> <tr> <td style="text-align: center;"><u>Pins D/F</u></td> <td style="text-align: center;"><u>Pins C</u></td> </tr> <tr> <td style="text-align: center;">4 to 7</td> <td style="text-align: center;">5 to 9</td> </tr> <tr> <td style="text-align: center;">12 to 9</td> <td style="text-align: center;">15 to 11</td> </tr> </table>	<u>Pins D/F</u>	<u>Pins C</u>	4 to 7	5 to 9	12 to 9	15 to 11	-	600	ns
<u>Pins D/F</u>	<u>Pins C</u>													
4 to 7	5 to 9													
12 to 9	15 to 11													
79 to 80	Propagation Delay High to Low Reset to Q	t_{PHL2}	3003	4(n)	V_{IN} (Under Test) = Pulse Generator V_{IN} (All Other Inputs) = 5Vdc $V_{DD} = 5Vdc, V_{SS} = 0Vdc$ Note 7 <table border="0" style="margin-left: auto; margin-right: auto;"> <tr> <td style="text-align: center;"><u>Pins D/F</u></td> <td style="text-align: center;"><u>Pins C</u></td> </tr> <tr> <td style="text-align: center;">3 to 6</td> <td style="text-align: center;">4 to 7</td> </tr> <tr> <td style="text-align: center;">13 to 10</td> <td style="text-align: center;">16 to 12</td> </tr> </table>	<u>Pins D/F</u>	<u>Pins C</u>	3 to 6	4 to 7	13 to 10	16 to 12	-	500	ns
<u>Pins D/F</u>	<u>Pins C</u>													
3 to 6	4 to 7													
13 to 10	16 to 12													

NOTES: See Page 26.



SCC

ESA/SCC Detail Specification
No. 9207/007

PAGE 25
ISSUE 2

TABLE 2 - ELECTRICAL MEASUREMENTS AT ROOM TEMPERATURE - a.c. PARAMETERS (CONT'D)

No.	CHARACTERISTICS	SYMBOL	TEST METHOD MIL-STD 883	TEST FIG.	TEST CONDITIONS (PINS UNDER TEST D/F = DIP AND FP C = CCP)	LIMITS		UNIT										
						MIN	MAX											
81 to 82	Transition Time Low to High	t_{TLH}	3004	4(n)	V_{IN} (Under Test) = Pulse Generator V_{IN} (All Other Inputs) = 5Vdc $V_{DD} = 5Vdc$, $V_{SS} = 0Vdc$ Note 7 (Pins D/F 6-10) (Pins C 7-12)	-	200	ns										
83 to 84	Transition Time High to Low	t_{THL}	3004	4(n)	V_{IN} (Under Test) = Pulse Generator V_{IN} (All Other Inputs) = 5Vdc $V_{DD} = 5Vdc$, $V_{SS} = 0Vdc$ Note 7 (Pins D/F 7-9) (Pins C 9-11)	-	200	ns										
85 to 88	Pulse Width Match between the two Monostables	-	-	4(n)	$C_X = 0.1\mu F$ $R_X = 100k\Omega$ V_{IN} (Under Test) = Pulse Generator V_{IN} (Reset) = 5Vdc Function = Trailing-Edge Trigger/Non-retriggerable $V_{DD} = 5Vdc$, $V_{SS} = 0Vdc$ Notes 8 and 9 <table border="0" style="margin-left: 20px;"> <tr> <td style="text-align: center;"><u>Pins D/F</u></td> <td style="text-align: center;"><u>Pins C</u></td> </tr> <tr> <td style="text-align: center;">5 to 6</td> <td style="text-align: center;">6 to 7</td> </tr> <tr> <td style="text-align: center;">5 to 7</td> <td style="text-align: center;">6 to 9</td> </tr> <tr> <td style="text-align: center;">11 to 10</td> <td style="text-align: center;">14 to 12</td> </tr> <tr> <td style="text-align: center;">11 to 9</td> <td style="text-align: center;">14 to 11</td> </tr> </table>	<u>Pins D/F</u>	<u>Pins C</u>	5 to 6	6 to 7	5 to 7	6 to 9	11 to 10	14 to 12	11 to 9	14 to 11	-	5.0	%
<u>Pins D/F</u>	<u>Pins C</u>																	
5 to 6	6 to 7																	
5 to 7	6 to 9																	
11 to 10	14 to 12																	
11 to 9	14 to 11																	

NOTES: See Page 26.

**TABLE 2 - ELECTRICAL MEASUREMENTS AT ROOM TEMPERATURE - a.c. PARAMETERS (CONT'D)**

No.	CHARACTERISTICS	SYMBOL	TEST METHOD MIL-STD 883	TEST FIG.	TEST CONDITIONS (PINS UNDER TEST D/F = DIP AND FP C = CCP) (NOTE 8)	LIMITS		UNIT
						MIN	MAX	
89 to 124	Pulse Width	t _w	-	4(n)	C _X = 0.005μF V _{DD} = 5V R _X = 10kΩ V _{DD} = 10V V _{IN} = V _{DD} V _{DD} = 15V <u>Pins D/F</u> <u>Pins C</u> 5 to 6 6 to 7 5 to 7 6 to 9 11 to 10 14 to 12 11 to 9 14 to 11	55	64.5	μs
					55	65		
					55	67		
					C _X = 0.1μF V _{DD} = 5V R _X = 100kΩ V _{DD} = 10V V _{IN} = V _{DD} V _{DD} = 15V <u>Pins D/F</u> <u>Pins C</u> 5 to 6 6 to 7 5 to 7 6 to 9 11 to 10 14 to 12 11 to 9 14 to 11	8.0	10.5	ms
					9.0	10.6		
					9.5	10.8		
					C _X = 10μF V _{DD} = 5V R _X = 100kΩ V _{DD} = 10V V _{IN} = V _{DD} V _{DD} = 15V <u>Pins D/F</u> <u>Pins C</u> 5 to 6 6 to 7 5 to 7 6 to 9 11 to 10 14 to 12 11 to 9 14 to 11	0.83	1.06	s
					0.93	1.06		
					0.96	1.07		

NOTES

- GO-NO-GO Test, each pattern of Test Table 4(a).
V_{OH} ≥ V_{DD} - 0.5Vdc V_{OL} ≤ 0.5Vdc
- Maximum time to output comparator strobe 300μsec.
- Test each pattern of Test Table 4(b).
- Interchange of forcing and measuring function is permitted.
- This is performed as a Functional Test in which extreme V_{IN} conditions are applied and output voltage is measured.
- Measurement performed on a sample basis, LTPD7 or less, with a Capacitance Bridge connected between each input under test and V_{SS}, only for Lots where LAT Level 2 is to be performed. (For LTPD sampling plan, see Annexe I of ESA/SCC 9000).
- Measurement performed on a sample basis, LTPD7 or less, (see Annexe I of ESA/SCC 9000).
- Measurement performed only for Lots where LAT 2 is to be performed and only at LAT3 Level.
- Calculation is: $\frac{T1 - T2}{T1} \times 100$

**TABLE 3(a) - ELECTRICAL MEASUREMENTS AT HIGH TEMPERATURE, +125(+0-5) °C**

No.	CHARACTERISTICS	SYMBOL	TEST METHOD MIL-STD 883	TEST FIG.	TEST CONDITIONS (PINS UNDER TEST D/F = DIP AND FP C = CCP)	LIMITS		UNIT
						MIN	MAX	
1	Functional Test	-	-	4(a)	Verify Truth Table without Load. $V_{DD} = 3V_{dc}$, $V_{SS} = 0V_{dc}$ Notes 1 and 2	-	-	-
2	Functional Test	-	-	4(a)	Verify Truth Table without Load. $V_{DD} = 15V_{dc}$, $V_{SS} = 0V_{dc}$ Notes 1 and 2	-	-	-
3 to 14	Quiescent Current	I_{DD}	3005	4(b)	$V_{IL} = 0V_{dc}$, $V_{IH} = 15V_{dc}$ $V_{DD} = 15V_{dc}$, $V_{SS} = 0V_{dc}$ Note 3 (Pin D/F 16) (Pin C 20)	-	15	μA
15 to 20	Input Current Low Level	I_{IL}	3009	4(c)	V_{IN} (Under Test) = $0V_{dc}$ V_{IN} (Remaining Inputs) = $15V_{dc}$ $V_{DD} = 15V_{dc}$, $V_{SS} = 0V_{dc}$ (Pins D/F 3-4-5-11-12-13) (Pins C 4-5-6-14-15-16)	-	-100	nA
21 to 26	Input Current High Level	I_{IH}	3010	4(d)	V_{IN} (Under Test) = $15V_{dc}$ V_{IN} (Remaining Inputs) = $0V_{dc}$ $V_{DD} = 15V_{dc}$, $V_{SS} = 0V_{dc}$ (Pins D/F 3-4-5-11-12-13) (Pins C 4-5-6-14-15-16)	-	100	nA
27 to 28	Output Voltage Low Level Q Outputs	V_{OL1}	3007	4(e)	Monostable Under Test: V_{IN} (Reset and + Trigger) = $0V_{dc}$ V_{IN} (- Trigger) = $15V_{dc}$ $V_{OUT} = \text{Open}$ Other Monostable: $V_{IN} = 0V_{dc}$ $V_{DD} = 15V_{dc}$, $V_{SS} = 0V_{dc}$ (Pins D/F 6-10) (Pins C 7-12)	-	0.05	V

NOTES: See Page 26.

**TABLE 3(a) - ELECTRICAL MEASUREMENTS AT HIGH TEMPERATURE, +125(+0-5) °C (CONT'D)**

No.	CHARACTERISTICS	SYMBOL	TEST METHOD MIL-STD 883	TEST FIG.	TEST CONDITIONS (PINS UNDER TEST D/F = DIP AND FP C = CCP)	LIMITS		UNIT
						MIN	MAX	
29 to 30	Output Voltage Low Level Q Outputs	V _{OL2}	3007	4(e)	Monostable Under Test: V _{IN} (All Inputs) = 15Vdc V _{OUT} = Open Other Monostable: V _{IN} = 0Vdc V _{DD} = 15Vdc, V _{SS} = 0Vdc (Pins D/F 7-9) (Pins C 9-11)	-	0.05	V
31 to 32	Output Voltage High Level Q Outputs	V _{OH1}	3006	4(f)	Monostable Under Test: V _{IN} (All Inputs) = 15Vdc V _{OUT} = Open Other Monostable: V _{IN} = 0Vdc V _{DD} = 15Vdc, V _{SS} = 0Vdc (Pins D/F 6-10) (Pins C 7-12)	14.95	-	V
33 to 34	Output Voltage High Level Q Outputs	V _{OH2}	3006	4(f)	Monostable Under Test: V _{IN} (Reset and + Trigger) = 0Vdc V _{IN} (- Trigger) = 15Vdc V _{OUT} = 0Vdc Other Monostable: V _{IN} = 0Vdc V _{DD} = 15Vdc, V _{SS} = 0Vdc (Pins D/F 7-9) (Pins C 9-11)	14.95	-	V
35 to 36	Output Drive Current N-Channel Q Outputs	I _{OL1}	-	4(g)	Monostable Under Test: V _{IN} (Reset and + Trigger) = 0Vdc V _{IN} (- Trigger) = 5Vdc V _{OUT} = 0.4Vdc Other Monostable: V _{IN} = 0Vdc V _{DD} = 5Vdc, V _{SS} = 0Vdc Note 4 (Pins D/F 6-10) (Pins C 7-12)	0.36	-	mA

NOTES: See Page 26.

**TABLE 3(a) - ELECTRICAL MEASUREMENTS AT HIGH TEMPERATURE, +125(+0-5) °C (CONT'D)**

No.	CHARACTERISTICS	SYMBOL	TEST METHOD MIL-STD 883	TEST FIG.	TEST CONDITIONS (PINS UNDER TEST D/F = DIP AND FP C = CCP)	LIMITS		UNIT
						MIN	MAX	
37 to 38	Output Drive Current N-Channel Q Outputs	I _{OL2}	-	4(g)	Monostable Under Test: V _{IN} (All Inputs) = 5Vdc V _{OUT} = 0.4Vdc Other Monostable: V _{IN} = 0Vdc V _{DD} = 5Vdc, V _{SS} = 0Vdc Note 4 (Pins D/F 7-9) (Pins C 9-11)	0.36	-	mA
39 to 40	Output Drive Current N-Channel Q Outputs	I _{OL3}	-	4(g)	Monostable Under Test: V _{IN} (Reset and + Trigger) = 0Vdc V _{IN} (- Trigger) = 15Vdc V _{OUT} = 1.5Vdc Other Monostable: V _{IN} = 0Vdc V _{DD} = 15Vdc, V _{SS} = 0Vdc Note 4 (Pins D/F 6-10) (Pins C 7-12)	2.4	-	mA
41 to 42	Output Drive Current N-Channel Q Outputs	I _{OL4}	-	4(g)	Monostable Under Test: V _{IN} (All Inputs) = 15Vdc V _{OUT} = 1.5Vdc Other Monostable: V _{IN} = 0Vdc V _{DD} = 15Vdc, V _{SS} = 0Vdc Note 4 (Pins D/F 7-9) (Pins C 9-11)	2.4	-	mA
43 to 44	Output Drive Current P-Channel Q Outputs	I _{OH1}	-	4(h)	Monostable Under Test: V _{IN} (All Inputs) = 5Vdc V _{OUT} = 4.6Vdc Other Monostable: V _{IN} = 0Vdc V _{DD} = 5Vdc, V _{SS} = 0Vdc Note 4 (Pins D/F 6-10) (Pins C 7-12)	-0.36	-	mA

NOTES: See Page 26.



TABLE 3(a) - ELECTRICAL MEASUREMENTS AT HIGH TEMPERATURE, +125(+0-5) °C (CONT'D)

No.	CHARACTERISTICS	SYMBOL	TEST METHOD MIL-STD 883	TEST FIG.	TEST CONDITIONS (PINS UNDER TEST D/F = DIP AND FP C = CCP)	LIMITS		UNIT
						MIN	MAX	
45 to 46	Output Drive Current P-Channel Q Outputs	I _{OH2}	-	4(h)	Monostable Under Test: V _{IN} (Reset and +Trigger) = 0Vdc V _{IN} (- Trigger) = 5Vdc V _{OUT} = 4.6Vdc Other Monostable: V _{IN} = 0Vdc V _{DD} = 5Vdc, V _{SS} = 0Vdc Note 4 (Pins D/F 7-9) (Pins C 9-11)	-0.36	-	mA
47 to 48	Output Drive Current P-Channel Q Outputs	I _{OH3}	-	4(h)	Monostable Under Test: V _{IN} (All Inputs) = 15Vdc V _{OUT} = 13.5Vdc Other Monostable: V _{IN} = 0Vdc V _{DD} = 15Vdc, V _{SS} = 0Vdc Note 4 (Pins D/F 6-10) (Pins C 7-12)	-2.4	-	mA
49 to 50	Output Drive Current P-Channel Q Outputs	I _{OH4}	-	4(h)	Monostable Under Test: V _{IN} (Reset and +Trigger) = 0Vdc V _{IN} (- Trigger) = 15Vdc V _{OUT} = 13.5Vdc Other Monostable: V _{IN} = 0Vdc V _{DD} = 15Vdc, V _{SS} = 0Vdc Note 4 (Pins D/F 7-9) (Pins C 9-11)	-2.4	-	mA
51	Input Voltage Low Level (Noise Immunity) (Functional Test)	V _{IL1}	-	4(a)	V _{IL} = 1.5Vdc V _{IH} = 3.5Vdc V _{DD} = 5Vdc, V _{SS} = 0Vdc Note 5 (Pins D/F 6-7-9-10) (Pins C 7-9-11-12)	4.5	-	V
	Input Voltage High Level (Noise Immunity) (Functional Test)	V _{IH1}	-			-	0.5	

NOTES: See Page 26.

**TABLE 3(a) - ELECTRICAL MEASUREMENTS AT HIGH TEMPERATURE, +125(+0-5) °C (CONT'D)**

No.	CHARACTERISTICS	SYMBOL	TEST METHOD MIL-STD 883	TEST FIG.	TEST CONDITIONS (PINS UNDER TEST D/F = DIP AND FP C = CCP)	LIMITS		UNIT
						MIN	MAX	
52	Input Voltage Low Level (Noise Immunity) (Functional Test)	V_{IL2}	-	4(a)	$V_{IL} = 4Vdc$ $V_{IH} = 11Vdc$ $V_{DD} = 15Vdc, V_{SS} = 0Vdc$ Note 5 (Pins D/F 6-7-9-10) (Pins C 7-9-11-12)	13.5	-	V
	Input Voltage High Level (Noise Immunity) (Functional Test)	V_{IH2}	-			-	1.5	
53	Threshold Voltage N-Channel	V_{THN}	-	4(i)	+ TR(1) Input at Ground C_{X1} , Reset (1), C_{X2} and Reset (2) Inputs connected to V_{SS} V_{IN} (All Other Inputs) = 5Vdc $V_{DD} = 5Vdc, I_{SS} = -10\mu A$ (Pin D/F 8) (Pin C 10)	-0.3	-3.5	V
54	Threshold Voltage P-Channel	V_{THP}	-	4(j)	+ TR(1) Input at Ground V_{IN} (All Other Inputs) = -5Vdc $V_{SS} = -5Vdc, I_{DD} = 10\mu A$ (Pin D/F 16) (Pin C 20)	0.3	3.5	V

NOTES: See Page 26.

**TABLE 3(b) - ELECTRICAL MEASUREMENTS AT LOW TEMPERATURE, -55(+5-0) °C**

No.	CHARACTERISTICS	SYMBOL	TEST METHOD MIL-STD 883	TEST FIG.	TEST CONDITIONS (PINS UNDER TEST D/F = DIP AND FP C = CCP)	LIMITS		UNIT
						MIN	MAX	
1	Functional Test	-	-	4(a)	Verify Truth Table without Load. $V_{DD} = 3V_{dc}$, $V_{SS} = 0V_{dc}$ Notes 1 and 2	-	-	-
2	Functional Test	-	-	4(a)	Verify Truth Table without Load. $V_{DD} = 15V_{dc}$, $V_{SS} = 0V_{dc}$ Notes 1 and 2	-	-	-
3 to 14	Quiescent Current	I_{DD}	3005	4(b)	$V_{IL} = 0V_{dc}$, $V_{IH} = 15V_{dc}$ $V_{DD} = 15V_{dc}$, $V_{SS} = 0V_{dc}$ Note 3 (Pin D/F 16) (Pin C 20)	-	500	nA
15 to 20	Input Current Low Level	I_{IL}	3009	4(c)	V_{IN} (Under Test) = $0V_{dc}$ V_{IN} (Remaining Inputs) = $15V_{dc}$ $V_{DD} = 15V_{dc}$, $V_{SS} = 0V_{dc}$ (Pins D/F 3-4-5-11-12-13) (Pins C 4-5-6-14-15-16)	-	-50	nA
21 to 26	Input Current High Level	I_{IH}	3010	4(d)	V_{IN} (Under Test) = $15V_{dc}$ V_{IN} (Remaining Inputs) = $0V_{dc}$ $V_{DD} = 15V_{dc}$, $V_{SS} = 0V_{dc}$ (Pins D/F 3-4-5-11-12-13) (Pins C 4-5-6-14-15-16)	-	50	nA
27 to 28	Output Voltage Low Level Q Outputs	V_{OL1}	3007	4(e)	Monostable Under Test: V_{IN} (Reset and + Trigger) = $0V_{dc}$ V_{IN} (- Trigger) = $15V_{dc}$ $V_{OUT} = \text{Open}$ Other Monostable: $V_{IN} = 0V_{dc}$ $V_{DD} = 15V_{dc}$, $V_{SS} = 0V_{dc}$ (Pins D/F 6-10) (Pins C 7-12)	-	0.05	V

NOTES: See Page 26.

**TABLE 3(b) - ELECTRICAL MEASUREMENTS AT LOW TEMPERATURE, -55(+5-0) °C (CONT'D)**

No.	CHARACTERISTICS	SYMBOL	TEST METHOD MIL-STD 883	TEST FIG.	TEST CONDITIONS (PINS UNDER TEST D/F = DIP AND FP C = CCP)	LIMITS		UNIT
						MIN	MAX	
29 to 30	Output Voltage Low Level Q Outputs	V _{OL2}	3007	4(e)	Monostable Under Test: V _{IN} (All Inputs) = 15Vdc V _{OUT} = Open Other Monostable: V _{IN} = 0Vdc V _{DD} = 15Vdc, V _{SS} = 0Vdc (Pins D/F 7-9) (Pins C 9-11)	-	0.05	V
31 to 32	Output Voltage High Level Q Outputs	V _{OH1}	3006	4(f)	Monostable Under Test: V _{IN} (All Inputs) = 15Vdc V _{OUT} = Open Other Monostable: V _{IN} = 0Vdc V _{DD} = 15Vdc, V _{SS} = 0Vdc (Pins D/F 6-10) (Pins C 7-12)	14.95	-	V
33 to 34	Output Voltage High Level Q Outputs	V _{OH2}	3006	4(f)	Monostable Under Test: V _{IN} (Reset and + Trigger) = 0Vdc V _{IN} (- Trigger) = 15Vdc V _{OUT} = 0Vdc Other Monostable: V _{IN} = 0Vdc V _{DD} = 15Vdc, V _{SS} = 0Vdc (Pins D/F 7-9) (Pins C 9-11)	14.95	-	V
35 to 36	Output Drive Current N-Channel Q Outputs	I _{OL1}	-	4(g)	Monostable Under Test: V _{IN} (Reset and + Trigger) = 0Vdc V _{IN} (- Trigger) = 5Vdc V _{OUT} = 0.4Vdc Other Monostable: V _{IN} = 0Vdc V _{DD} = 5Vdc, V _{SS} = 0Vdc Note 4 (Pins D/F 6-10) (Pins C 7-12)	0.64	-	mA

NOTES: See Page 26.

**TABLE 3(b) - ELECTRICAL MEASUREMENTS AT LOW TEMPERATURE, -55(+5-0) °C (CONT'D)**

No.	CHARACTERISTICS	SYMBOL	TEST METHOD MIL-STD 883	TEST FIG.	TEST CONDITIONS (PINS UNDER TEST D/F = DIP AND FP C = CCP)	LIMITS		UNIT
						MIN	MAX	
37 to 38	Output Drive Current N-Channel Q Outputs	I _{OL2}	-	4(g)	Monostable Under Test: V _{IN} (All Inputs) = 5Vdc V _{OUT} = 0.4Vdc Other Monostable: V _{IN} = 0Vdc V _{DD} = 5Vdc, V _{SS} = 0Vdc Note 4 (Pins D/F 7-9) (Pins C 9-11)	0.64	-	mA
39 to 40	Output Drive Current N-Channel Q Outputs	I _{OL3}	-	4(g)	Monostable Under Test: V _{IN} (Reset and + Trigger) = 0Vdc V _{IN} (- Trigger) = 15Vdc V _{OUT} = 1.5Vdc Other Monostable: V _{IN} = 0Vdc V _{DD} = 15Vdc, V _{SS} = 0Vdc Note 4 (Pins D/F 6-10) (Pins C 7-12)	4.2	-	mA
41 to 42	Output Drive Current N-Channel Q Outputs	I _{OL4}	-	4(g)	Monostable Under Test: V _{IN} (All Inputs) = 15Vdc V _{OUT} = 1.5Vdc Other Monostable: V _{IN} = 0Vdc V _{DD} = 15Vdc, V _{SS} = 0Vdc Note 4 (Pins D/F 7-9) (Pins C 9-11)	4.2	-	mA
43 to 44	Output Drive Current P-Channel Q Outputs	I _{OH1}	-	4(h)	Monostable Under Test: V _{IN} (All Inputs) = 5Vdc V _{OUT} = 4.6Vdc Other Monostable: V _{IN} = 0Vdc V _{DD} = 5Vdc, V _{SS} = 0Vdc Note 4 (Pins D/F 6-10) (Pins C 7-12)	-0.64	-	mA

NOTES: See Page 26.



TABLE 3(b) - ELECTRICAL MEASUREMENTS AT LOW TEMPERATURE, -55(+5-0) °C (CONT'D)

No.	CHARACTERISTICS	SYMBOL	TEST METHOD MIL-STD 883	TEST FIG.	TEST CONDITIONS (PINS UNDER TEST D/F = DIP AND FP C = CCP)	LIMITS		UNIT
						MIN	MAX	
45 to 46	Output Drive Current P-Channel Q Outputs	I _{OH2}	-	4(h)	Monostable Under Test: V _{IN} (Reset and + Trigger) = 0Vdc V _{IN} (- Trigger) = 5Vdc V _{OUT} = 4.6Vdc Other Monostable: V _{IN} = 0Vdc V _{DD} = 5Vdc, V _{SS} = 0Vdc Note 4 (Pins D/F 7-9) (Pins C 9-11)	-0.64	-	mA
47 to 48	Output Drive Current P-Channel Q Outputs	I _{OH3}	-	4(h)	Monostable Under Test: V _{IN} (All Inputs) = 15Vdc V _{OUT} = 13.5Vdc Other Monostable: V _{IN} = 0Vdc V _{DD} = 15Vdc, V _{SS} = 0Vdc Note 4 (Pins D/F 6-10) (Pins C 7-12)	-4.2	-	mA
49 to 50	Output Drive Current P-Channel Q Outputs	I _{OH4}	-	4(h)	Monostable Under Test: V _{IN} (Reset and + Trigger) = 0Vdc V _{IN} (- Trigger) = 15Vdc V _{OUT} = 13.5Vdc Other Monostable: V _{IN} = 0Vdc V _{DD} = 15Vdc, V _{SS} = 0Vdc Note 4 (Pins D/F 7-9) (Pins C 9-11)	-4.2	-	mA
51	Input Voltage Low Level (Noise Immunity) (Functional Test)	V _{IL1}	-	4(a)	V _{IL} = 1.5Vdc V _{IH} = 3.5Vdc V _{DD} = 5Vdc, V _{SS} = 0Vdc Note 5 (Pins D/F 6-7-9-10) (Pins C 7-9-11-12)	4.5	-	V
	Input Voltage High Level (Noise Immunity) (Functional Test)	V _{IH1}	-			-	0.5	

NOTES: See Page 26.

**TABLE 3(b) - ELECTRICAL MEASUREMENTS AT LOW TEMPERATURE, -55(+5-0) °C (CONT'D)**

No.	CHARACTERISTICS	SYMBOL	TEST METHOD MIL-STD 883	TEST FIG.	TEST CONDITIONS (PINS UNDER TEST D/F = DIP AND FP C = CCP)	LIMITS		UNIT
						MIN	MAX	
52	Input Voltage Low Level (Noise Immunity) (Functional Test)	V_{IL2}	-	4(a)	$V_{IL} = 4V_{dc}$ $V_{IH} = 11V_{dc}$ $V_{DD} = 15V_{dc}$, $V_{SS} = 0V_{dc}$ Note 5 (Pins D/F 6-7-9-10) (Pins C 7-9-11-12)	13.5	-	V
	Input Voltage High Level (Noise Immunity) (Functional Test)	V_{IH2}	-			-	1.5	
53	Threshold Voltage N-Channel	V_{THN}	-	4(i)	+ TR(1) Input at Ground C_X1 , Reset (1), C_X2 and Reset (2) Inputs connected to V_{SS} V_{IN} (All Other Inputs) = 5Vdc $V_{DD} = 5V_{dc}$, $I_{SS} = -10\mu A$ (Pin D/F 8) (Pin C 10)	-0.7	-3.5	V
54	Threshold Voltage P-Channel	V_{THP}	-	4(j)	+ TR(1) Input at Ground V_{IN} (All Other Inputs) = -5Vdc $V_{SS} = -5V_{dc}$, $I_{DD} = 10\mu A$ (Pin D/F 16) (Pin C 20)	0.7	3.5	V

NOTES: See Page 26.



FIGURE 4 - CIRCUITS FOR ELECTRICAL MEASUREMENTS

FIGURE 4(a) - FUNCTIONAL TEST TABLE

PATTERN No.	NOTE	PIN CONNECT	PIN NUMBERS								D.C. SUPPLY			
			INPUTS					OUTPUTS			8	16		
			3	4	5	11	12	13	6	7	9	10		
1	1	2 to 12	0	0	1	1		0			1	0	0	V _{DD}
2			1	0	1	1		1			1	0		
3			1	1	1	1		1			1	0		
4			1	0	1	1		1			1	0		
5			0	0	1	1		1			0	1		
6			0	1	1	1		1			0	1		
7			1	1	1	1		1			0	1		
8			1	0	1	1		1			0	1		
9			1	0	0	1		1			0	1		
10			1	0	1	1		1			0	1		
11			0	0	1	1		1			0	1		
12			1	0	1	1		1			0	1		
13		2 to 11	0	0	1		0	0			1	0		
14			1	0	1		0	1			1	0		
15			1	1	1		0	1			0	1		
16			1	0	1		0	1			0	1		
17			0	0	1		0	1			0	1		
18			0	1	1		0	1			0	1		
19			1	1	1		0	1			0	1		
20			1	1	1		0	1			0	1		
21			1	1	0		0	1			0	1		
22			1	1	1		0	1			0	1		
23			0	1	1		0	1			0	1		
24			1	1	1		0	1			0	1		
25		4 to 14	0		1	1	0	0	0	0	1			
26			1		1	1	0	1	0	1				
27			1		1	1	1	1	0	1				
28			1		1	1	0	1	0	1				
29			1		1	1	0	0	1	0				
30			1		1	1	1	0	1	0				
31			1		1	1	1	1	1	0				
32			1		1	1	0	1	1	0				
33			1		1	0	0	1	1	0				
34			1		1	1	0	1	1	0				
35			1		1	1	0	0	1	0				
36			1		1	1	0	1	1	0				
37		5 to 14	0	0		1	0	0	0	1				
38			1	0		1	0	1	0	1				
39			1	0		1	1	1	1	0				
40			1	0		1	0	1	1	0				
41			1	0		1	0	0	1	0				
42			1	0		1	1	0	1	0				
43			1	0		1	1	1	1	0				

NOTES: See Page 38.



FIGURE 4 - CIRCUITS FOR ELECTRICAL MEASUREMENTS (CONTINUED)

FIGURE 4(a) - FUNCTIONAL TEST TABLE (CONTINUED)

PATTERN No.	NOTE	PIN CONNECT	PIN NUMBERS								D.C. SUPPLY		
			INPUTS					OUTPUTS			8	16	
			3	4	5	11	12	13	6	7			9
44	1	5 to 14	1	0		1	0	1	1	0		0	V _{DD}
45	↓	↓	1	0		0	0	1	1	0		↓	↓
46			1	0		1	0	1	1	0			
47			1	0		1	0	0	1	0			
48			1	0		1	0	1	1	0			
49	2	-	0	0	1	0	0	1	0	1	1	0	
50	↓	-	1	0	1	1	0	1	0	1	1	0	
51		-	1	1	1	1	1	1	1	0	0	1	
52		-	1	0	1	1	0	1	1	0	0	1	
Pause for 5.0ms													
53	↓	-	1	0	1	1	0	1	0	1	1	0	↓

NOTES

1. Connect 100kΩ resistors from Pins 2 and 11 to V_{SS}.
2. Connection of external components to be defined by Manufacturer.
3. Logic Level definitions: 1 = V_{IH} = V_{DD}, 0 = V_{IL} = V_{SS}.
4. Figure 4(a) illustrates one series of test patterns. Any other pattern series must be agreed with the Qualifying Space Agency and shall be included as an Appendix.

FIGURE 4(b) - QUIESCENT CURRENT TEST TABLE

PATTERN No.	NOTE	PIN CONNECT	PIN NUMBERS								D.C. SUPPLY			
			INPUTS					OUTPUTS			8	16		
			3	4	5	11	12	13	6	7			9	10
1	1	-	0	0	1	1	0	0	0	1	1	0	0	V _{DD}
2	↓	-	1	0	1	1	0	1	0	1	1	0	↓	↓
3		-	1	1	1	1	1	1	1	0	0	1		
4		-	1	0	1	1	0	1	1	0	0	1		
5		-	0	0	1	1	0	0	0	1	1	0		
6		-	0	1	1	1	1	0	0	1	1	0		
7		-	1	1	1	1	1	1	0	1	1	0		
8		-	1	0	1	1	0	1	0	1	1	0		
9		-	1	0	0	0	0	1	1	0	0	1		
10		-	1	0	1	1	0	1	1	0	0	1		
11		-	0	0	1	1	0	0	0	1	1	0	↓	↓
12	↓	-	1	0	1	1	0	1	0	1	1	0	↓	↓

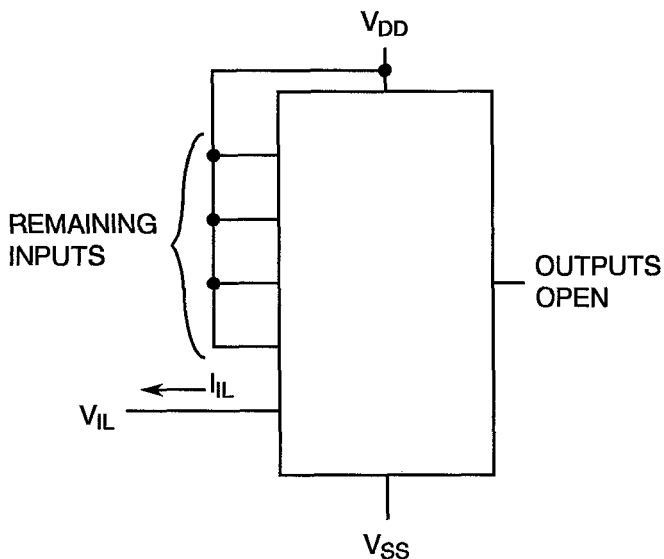
NOTES

1. Connect 100kΩ resistors from Pins 2 and 11 to V_{SS}.
2. Logic Level definitions: 1 = V_{IH} = V_{DD}, 0 = V_{IL} = V_{SS}.
3. Figure 4(b) illustrates one series of test patterns. Any other pattern series must be agreed with the Qualifying Space Agency and shall be included as an Appendix.



FIGURE 4 - CIRCUITS FOR ELECTRICAL MEASUREMENTS (CONTINUED)

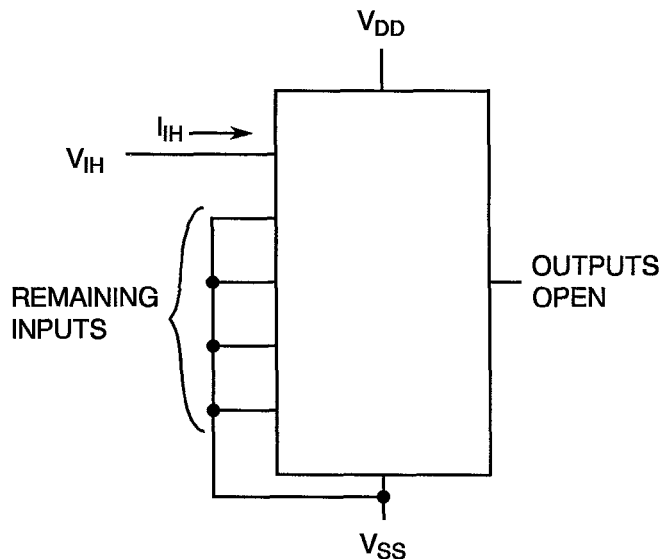
FIGURE 4(c) - LOW LEVEL INPUT CURRENT



NOTES

1. Each input to be tested separately.

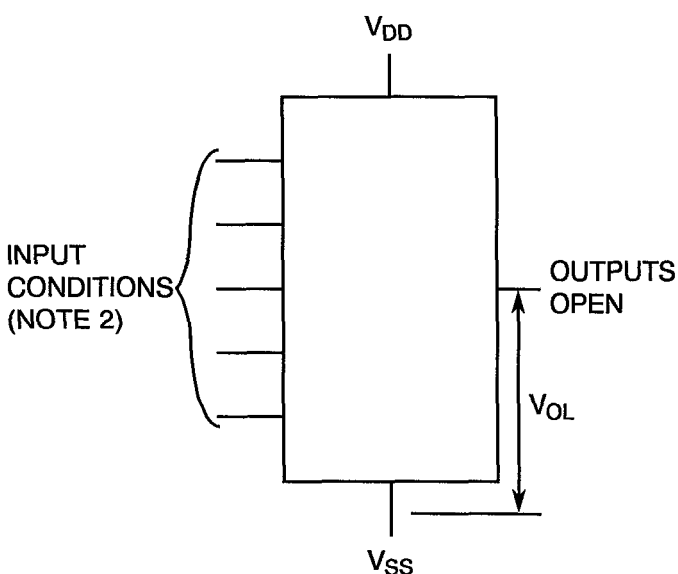
FIGURE 4(d) - HIGH LEVEL INPUT CURRENT



NOTES

1. Each input to be tested separately.

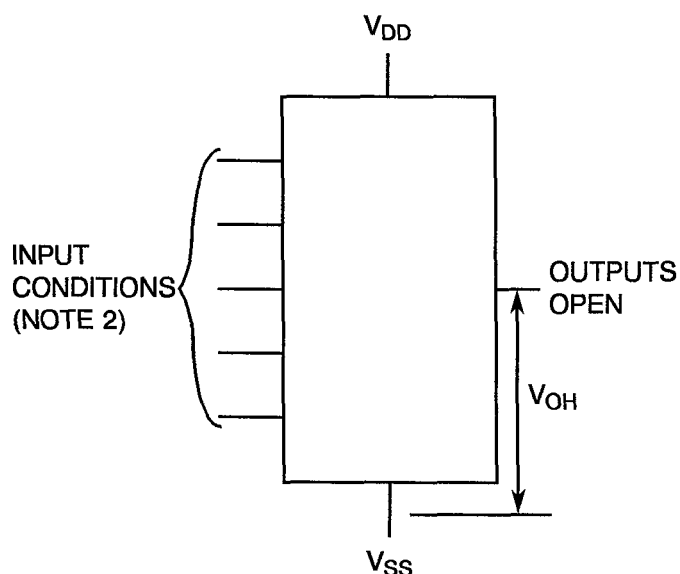
FIGURE 4(e) - LOW LEVEL OUTPUT VOLTAGE



NOTES

1. Each output to be tested separately.
2. For Q Outputs: Reset and +Trigger to VSS,
- Trigger to VDD.
For Q-bar Outputs: All inputs to VDD.

FIGURE 4(f) - HIGH LEVEL OUTPUT VOLTAGE



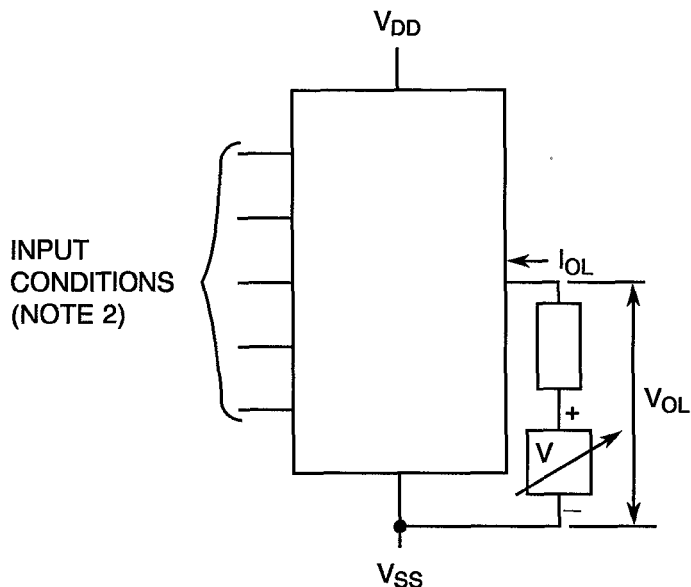
NOTES

1. Each output to be tested separately.
2. For Q Outputs: All inputs to VDD.
For Q-bar Outputs: Reset and +Trigger to VSS,
- Trigger to VDD.



FIGURE 4 - CIRCUITS FOR ELECTRICAL MEASUREMENTS (CONTINUED)

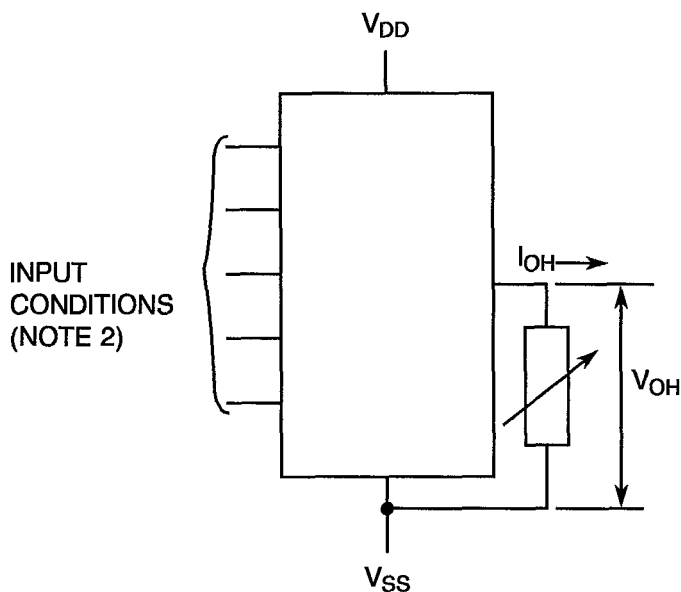
FIGURE 4(g) - LOW LEVEL OUTPUT CURRENT



NOTES

1. Each output to be tested separately.
2. For \underline{Q} Outputs: Reset and + Trigger to V_{SS} , - Trigger to V_{DD} .
For \overline{Q} Outputs: All inputs to V_{DD} .

FIGURE 4(h) - HIGH LEVEL OUTPUT CURRENT



NOTES

1. Each output to be tested separately.
2. For \underline{Q} Outputs: All inputs to V_{DD} .
For \overline{Q} Outputs: Reset and + Trigger to V_{SS} , - Trigger to V_{DD} .

FIGURE 4 - CIRCUITS FOR ELECTRICAL MEASUREMENTS (CONTINUED)

FIGURE 4(i) - THRESHOLD VOLTAGE N-CHANNEL

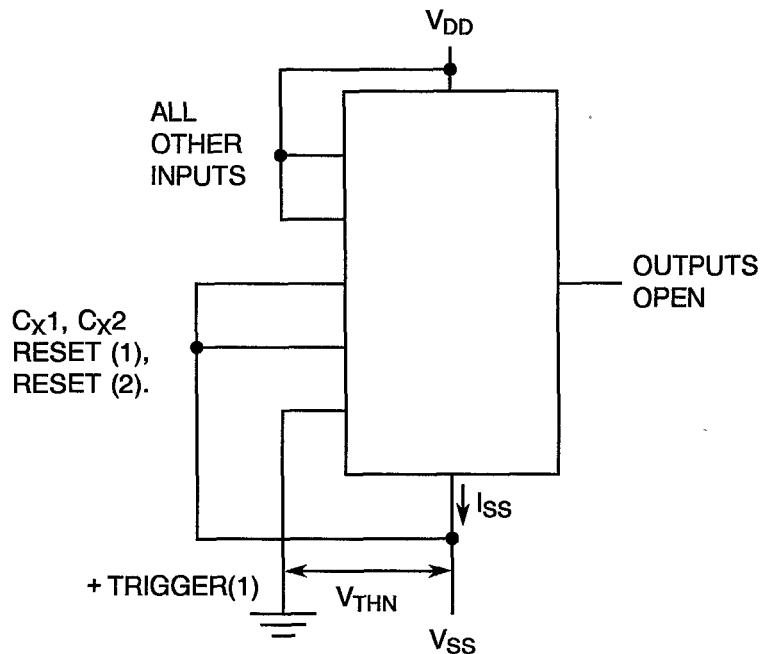


FIGURE 4(j) - THRESHOLD VOLTAGE P-CHANNEL

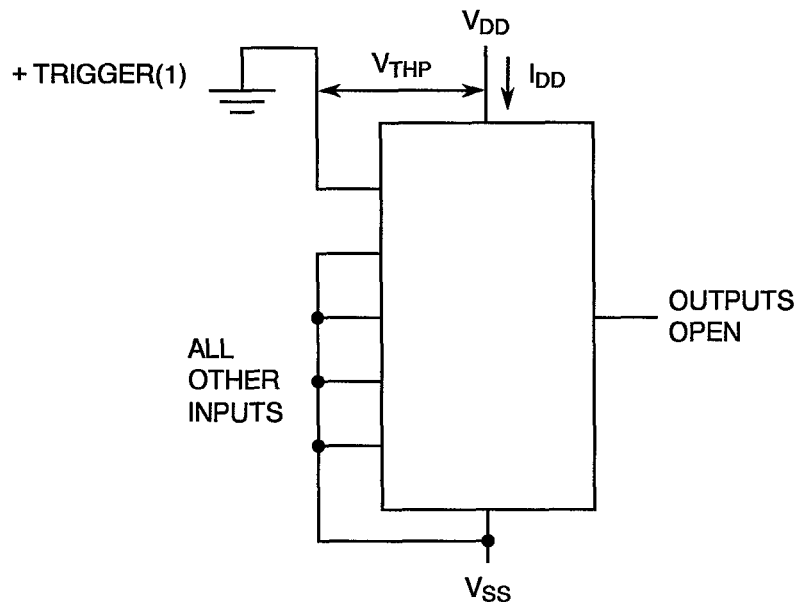
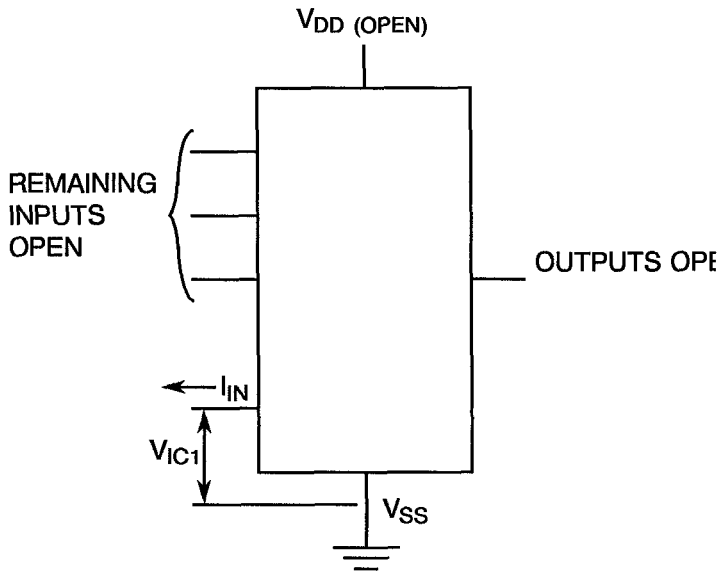


FIGURE 4 - CIRCUITS FOR ELECTRICAL MEASUREMENTS (CONTINUED)

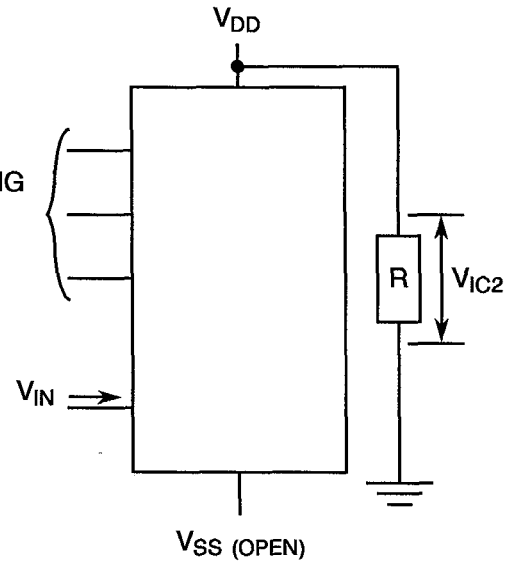
FIGURE 4(k) - INPUT CLAMP VOLTAGE (V_{SS})



NOTES

1. Each input to be tested separately.

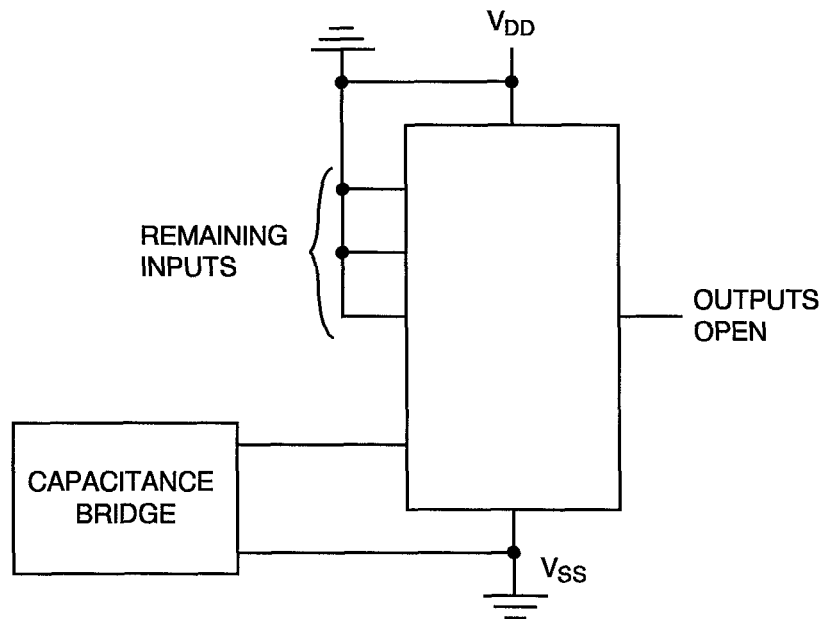
FIGURE 4(l) - INPUT CLAMP VOLTAGE (V_{DD})



NOTES

1. Each input to be tested separately.

FIGURE 4(m) - INPUT CAPACITANCE



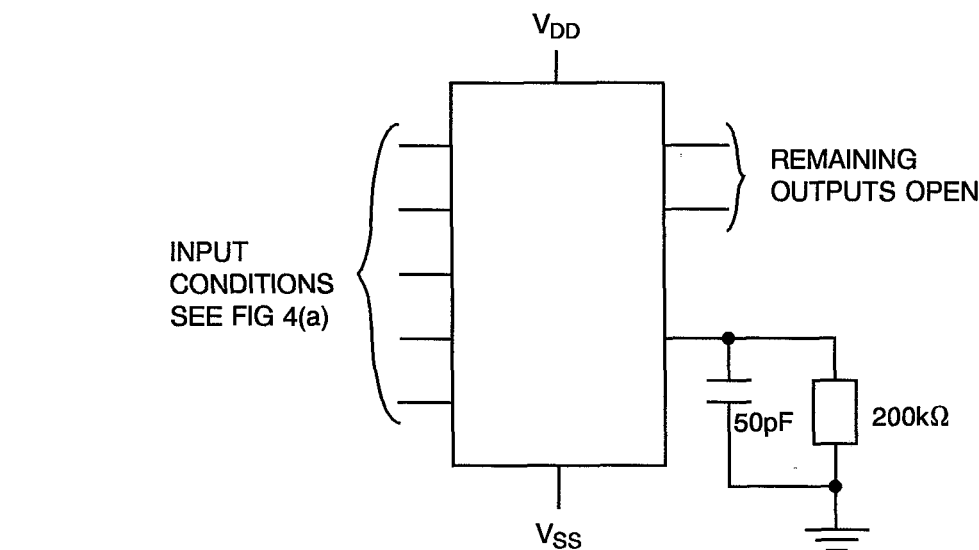
NOTES

1. Each input to be tested separately.
2. $f = 500\text{kHz}$ to 1MHz .

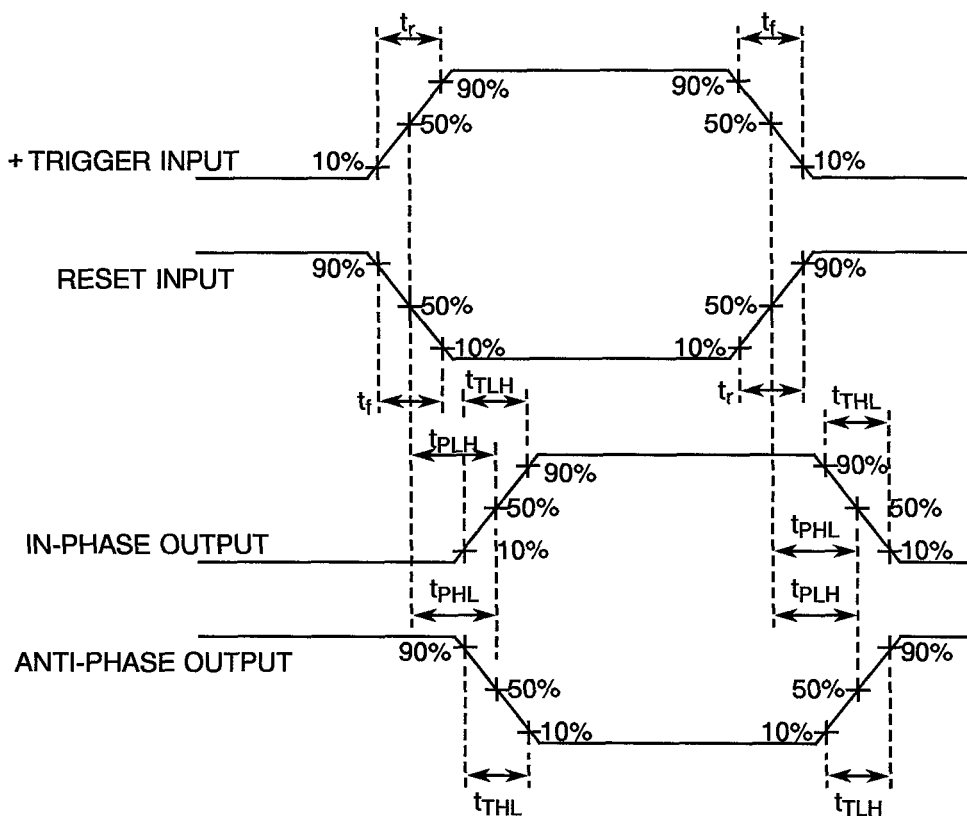


FIGURE 4 - CIRCUITS FOR ELECTRICAL MEASUREMENTS (CONTINUED)

FIGURE 4(n) - PROPAGATION DELAY AND TRANSITION TIME



VOLTAGE WAVEFORMS



NOTES

1. Pulse Generator - $V_p = 0$ to V_{DD} , t_r and $t_f \leq 15\text{ns}$, $f = 500\text{kHz}$.

**TABLE 4 - PARAMETER DRIFT VALUES**

No.	CHARACTERISTICS	SYMBOL	SPEC. AND/OR TEST METHOD	TEST CONDITIONS	CHANGE LIMITS (Δ)	UNIT
3 to 14	Quiescent Current	I_{DD}	As per Table 2	As per Table 2	± 75	nA
35 to 36	Output Drive Current N-Channel Q Outputs	I_{OL1}	As per Table 2	As per Table 2	± 15 (1)	%
37 to 38	Output Drive Current N-Channel Q Outputs	I_{OL2}	As per Table 2	As per Table 2	± 15 (1)	%
43 to 44	Output Drive Current P-Channel Q Outputs	I_{OH1}	As per Table 2	As per Table 2	± 15 (1)	%
45 to 46	Output Drive Current P-Channel Q Outputs	I_{OH2}	As per Table 2	As per Table 2	± 15 (1)	%
53	Threshold Voltage N-Channel	V_{THN}	As per Table 2	As per Table 2	± 0.3	V
54	Threshold Voltage P-Channel	V_{THP}	As per Table 2	As per Table 2	± 0.3	V

NOTES

1. Percentage of limit value if voltage is the measurement function.

**TABLE 5(a) - CONDITIONS FOR BURN-IN HIGH TEMPERATURE REVERSE BIAS, N-CHANNELS**

No.	CHARACTERISTICS	SYMBOL	CONDITION	UNIT
1	Ambient Temperature	T_{amb}	+ 125 (+ 0 – 5)	°C
2	Outputs - (Pins D/F 6-7-9-10) (Pins C 7-9-11-12)	V_{OUT}	Open	-
3	Inputs - (Pins D/F 2-3-13-14) (Pins C 2-4-16-17)	V_{IN}	V_{DD}	Vdc
4	Inputs - (Pins D/F 4-5-11-12) (Pins C 5-6-14-15)	V_{IN}	Ground	Vdc
5	Positive Supply Voltage (Pin D/F 16) (Pin C 20)	V_{DD}	15	Vdc
6	Negative Supply Voltage (Pin D/F 8) (Pin C 10)	V_{SS}	Ground	Vdc

NOTES

1. Input Load = Protection Resistor = 2k Ω minimum to 47k Ω maximum.

TABLE 5(b) - CONDITIONS FOR BURN-IN HIGH TEMPERATURE REVERSE BIAS, P-CHANNELS

No.	CHARACTERISTICS	SYMBOL	CONDITION	UNIT
1	Ambient Temperature	T_{amb}	+ 125 (+ 0 – 5)	°C
2	Outputs - (Pins D/F 6-7-9-10) (Pins C 7-9-11-12)	V_{OUT}	Open	-
3	Inputs - (Pins D/F 2-3-13-14) (Pins C 2-4-16-17)	V_{IN}	Ground	Vdc
4	Inputs - (Pins D/F 4-5-11-12) (Pins C 5-6-14-15)	V_{IN}	V_{DD}	Vdc
5	Positive Supply Voltage (Pin D/F 16) (Pin C 20)	V_{DD}	15	Vdc
6	Negative Supply Voltage (Pin D/F 8) (Pin C 10)	V_{SS}	Ground	Vdc

NOTES

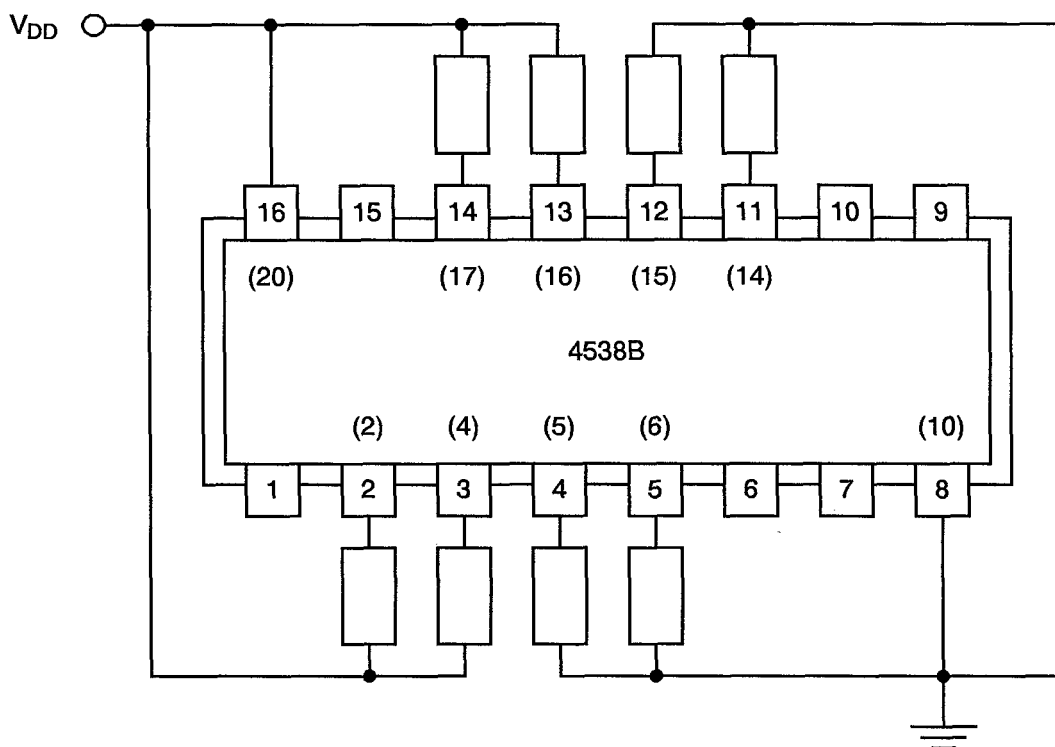
1. Input Load = Protection Resistor = 2k Ω minimum to 47k Ω maximum.

TABLE 5(c) - CONDITIONS FOR POWER BURN-IN AND OPERATING LIFE TESTS

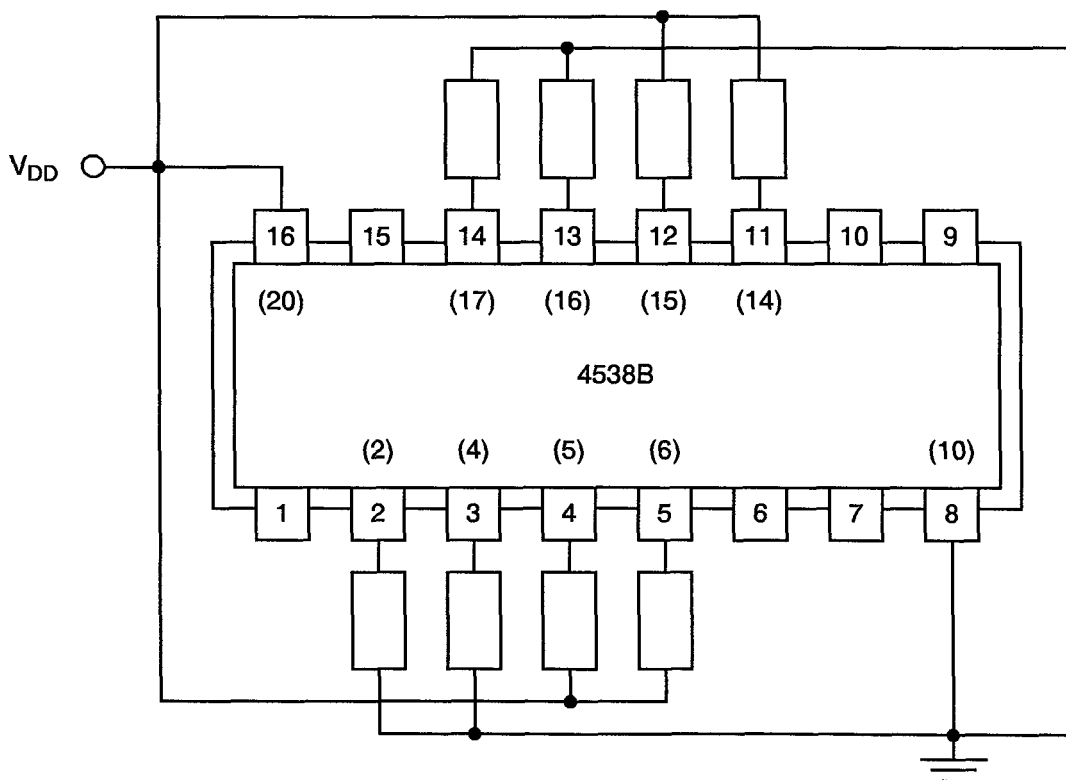
No.	CHARACTERISTICS	SYMBOL	CONDITIONS	UNIT
1	Ambient Temperature	T_{amb}	+ 125 (+ 0 – 5)	°C
2	Outputs - (Pins D/F 6-7-9-10) (Pins C 7-9-11-12)	V_{OUT}	$V_{DD}/2$	Vdc
3	Inputs - (Pins D/F 4-12) (Pins C 5-15)	V_{IN}	V_{GEN}	Vac
4	Input - (Pin D/F 11) (Pin C 14)	V_{IN}	Ground	Vdc
5	Inputs - (Pins D/F 3-5) (Pins C 4-6)	V_{IN}	V_{DD}	Vdc
6	Pulse Voltage	V_{GEN}	0V to V_{DD}	Vac
7	Pulse Frequency Square Wave	f	50k ≤ f < 1M, 50% Duty Cycle	Hz
8	Positive Supply Voltage (Pin D/F 16) (Pin C 20)	V_{DD}	15	Vdc
9	Negative Supply Voltage (Pin D/F 8) (Pin C 10)	V_{SS}	Ground	Vdc

NOTES

1. Input Load = Protection Resistor = 2kΩ minimum to 47kΩ maximum.

FIGURE 5(a) - ELECTRICAL CIRCUIT FOR BURN-IN HIGH TEMPERATURE REVERSE BIAS, N-CHANNELS

NOTES

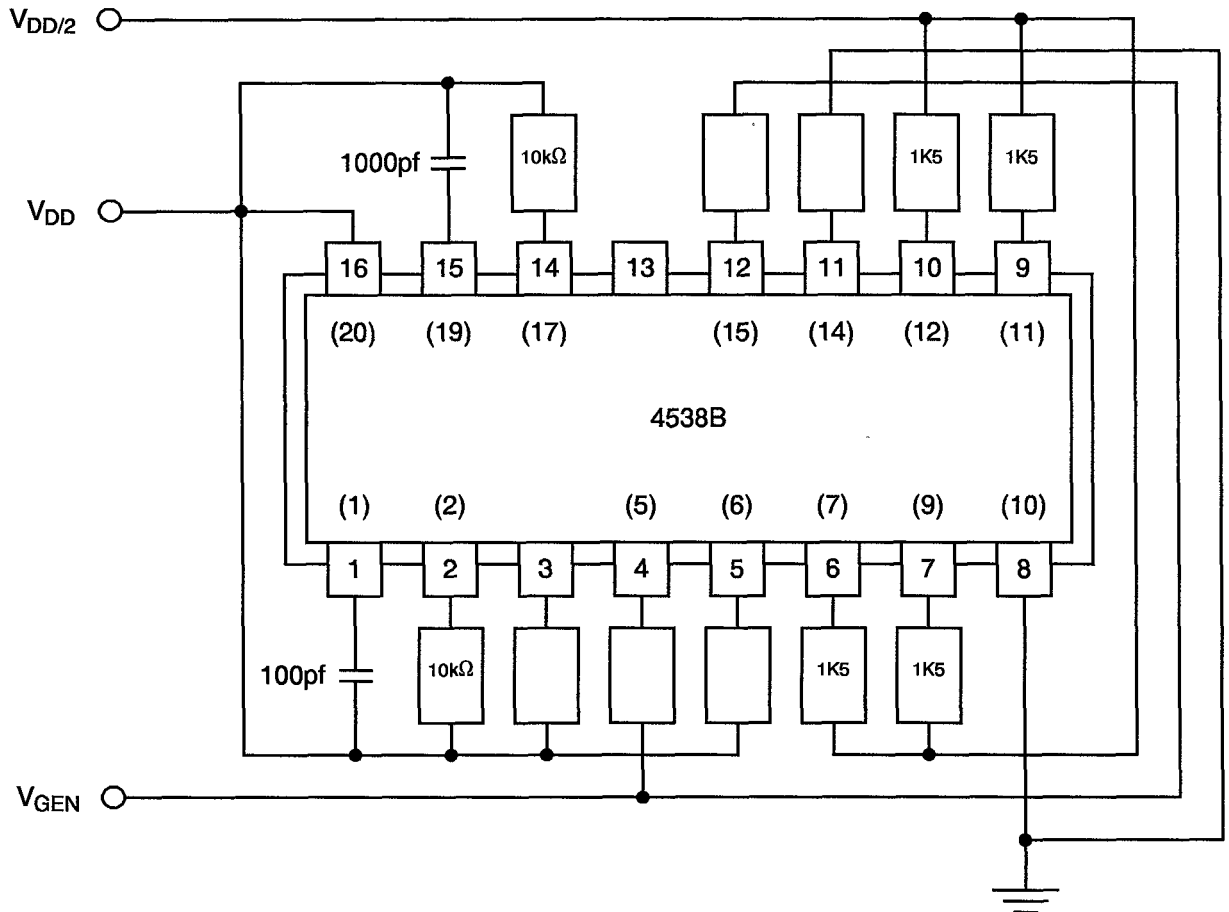
1. Pin numbers in parenthesis are for the chip carrier package.

FIGURE 5(b) - ELECTRICAL CIRCUIT FOR BURN-IN HIGH TEMPERATURE REVERSE BIAS, P-CHANNELS

NOTES

1. Pin numbers in parenthesis are for the chip carrier package.





FIGURE 5(c) - ELECTRICAL CIRCUIT FOR POWER BURN-IN AND OPERATING LIFE TESTS



NOTES

1. Pin numbers in parenthesis are for the chip carrier package.

 	<p style="text-align: center;">ESA/SCC Detail Specification No. 9207/007</p>	<p>PAGE 49 ISSUE 2</p>
---	--	----------------------------

4.8 ENVIRONMENTAL AND ENDURANCE TESTS (CHARTS IV AND V OF ESA/SCC GENERIC SPECIFICATION NO. 9000)

4.8.1 Electrical Measurements on Completion of Environmental Tests

The parameters to be measured on completion of environmental tests are scheduled in Table 6. Unless otherwise stated, the measurements shall be performed at $T_{amb} = +22 \pm 3$ °C.

4.8.2 Electrical Measurements at Intermediate Points during Endurance Tests

The parameters to be measured at intermediate points during endurance tests are as scheduled in Table 6 of this specification. Unless otherwise stated, the measurements shall be performed at $T_{amb} = +22 \pm 3$ °C.

4.8.3 Electrical Measurements on Completion of Endurance Tests

The parameters to be measured on completion of endurance testing are as scheduled in Table 6 of this specification. Unless otherwise stated, the measurements shall be performed at $T_{amb} = +22 \pm 3$ °C.

4.8.4 Conditions for Operating Life Test

The requirements for operating life testing are specified in Section 9 of ESA/SCC Generic Specification No. 9000. The conditions for operating life testing shall be as specified in Table 5(c) of this specification.

4.8.5 Electrical Circuits for Operating Life Tests

Circuits for use in performing the operating life test are shown in Figure 5(c) of this specification.

4.8.6 Conditions for High Temperature Storage Test

The requirements for the high temperature storage test are specified in ESA/SCC Generic Specification No. 9000. The temperature to be applied shall be the maximum storage temperature specified in Table 1(b) of this specification.



TABLE 6 - ELECTRICAL MEASUREMENTS ON COMPLETION OF ENVIRONMENTAL TESTS AND AT INTERMEDIATE POINTS AND ON COMPLETION OF ENDURANCE TESTING

No.	CHARACTERISTICS	SYMBOL	SPEC. AND/OR TEST METHOD	TEST CONDITIONS	CHANGE LIMITS (Δ)			UNIT
						MIN	MAX	
1	Functional Test	-	As per Table 2	As per Table 2	-	-	-	-
3 to 14	Quiescent Current	I_{DD}	As per Table 2	As per Table 2	± 75	-	-	nA
15 to 20	Input Current Low Level	I_{IL}	As per Table 2	As per Table 2	-	-	-50	nA
21 to 26	Input Current High Level	I_{IH}	As per Table 2	As per Table 2	-	-	50	nA
27 to 28	Output Voltage Low Level Q Outputs	V_{OL1}	As per Table 2	As per Table 2	-	-	0.05	V
29 to 30	Output Voltage Low Level Q Outputs	V_{OL2}	As per Table 2	As per Table 2	-	-	0.05	V
31 to 32	Output Voltage High Level Q Outputs	V_{OH1}	As per Table 2	As per Table 2	-	14.95	-	V
33 to 34	Output Voltage High Level Q Outputs	V_{OH2}	As per Table 2	As per Table 2	-	14.95	-	V
35 to 36	Output Drive Current N-Channel Q Outputs	I_{OL1}	As per Table 2	As per Table 2	± 15 (1)	-	-	%
37 to 38	Output Drive Current N-Channel Q Outputs	I_{OL2}	As per Table 2	As per Table 2	± 15 (1)	-	-	%
39 to 40	Output Drive Current N-Channel Q Outputs	I_{OL3}	As per Table 2	As per Table 2	± 15 (1)	-	-	%
41 to 42	Output Drive Current N-Channel Q Outputs	I_{OL4}	As per Table 2	As per Table 2	± 15 (1)	-	-	%
43 to 44	Output Drive Current P-Channel Q Outputs	I_{OH1}	As per Table 2	As per Table 2	± 15 (1)	-	-	%

NOTES

1. Percentage of limit value if voltage is the measurement function.

**TABLE 6 - ELECTRICAL MEASUREMENTS ON COMPLETION OF ENVIRONMENTAL TESTS AND AT INTERMEDIATE POINTS AND ON COMPLETION OF ENDURANCE TESTING (CONT'D)**

No.	CHARACTERISTICS	SYMBOL	SPEC. AND/OR TEST METHOD	TEST CONDITIONS	CHANGE LIMITS (Δ)			UNIT
						MIN	MAX	
45 to 46	Output Drive Current P-Channel Q Outputs	I_{OH2}	As per Table 2	As per Table 2	± 15 (1)	-	-	%
47 to 48	Output Drive Current P-Channel Q Outputs	I_{OH3}	As per Table 2	As per Table 2	± 15 (1)	-	-	%
49 to 50	Output Drive Current P-Channel Q Outputs	I_{OH4}	As per Table 2	As per Table 2	± 15 (1)	-	-	%
51	Input Voltage Low Level (Noise Immunity) (Functional Test)	V_{IL1}	As per Table 2	As per Table 2	-	4.5	-	V
	Input Voltage High Level (Noise Immunity) (Functional Test)	V_{IH1}			-	-	0.5	
53	Threshold Voltage N-Channel	V_{THN}	As per Table 2	As per Table 2	± 0.3	-	-	V
54	Threshold Voltage P-Channel	V_{THP}	As per Table 2	As per Table 2	± 0.3	-	-	V

NOTES

1. Percentage of limit value if voltage is the measurement function.

APPENDIX 'A'

AGREED DEVIATIONS FOR STMICROELECTRONICS (F)

ITEMS AFFECTED	DESCRIPTION OF DEVIATION
Para. 4.2.3	<p>Para. 9.23, High Temperature Reverse Bias Burn-in: The temperature limits of MIL-STD-883, Para. 4.5.8(c) may be used.</p> <p>Para. 9.24, Power Burn-in: The temperature limits of MIL-STD-883, Para. 4.5.8(c) may be used.</p>
Para. 4.2.4	Para. 9.21.1, Operating Life during Qualification Testing: The temperature limits of MIL-STD-883, Para. 4.5.8(c) may be used.
Para. 4.2.5	Para. 9.21.2, Operating Life during Lot Acceptance Testing: The temperature limits of MIL-STD-883, Para. 4.5.8(c) may be used.