



european space agency  
agence spatiale européenne

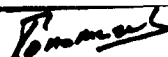

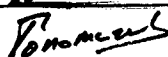
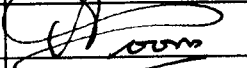
Pages 1 to 27

**INTEGRATED CIRCUITS, SILICON MONOLITHIC,  
BIPOLAR QUAD 2-LINE-TO-1-LINE  
SELECTORS/MULTIPLEXERS,  
BASED ON TYPE 54LS158**

**ESA/SCC Detail Specification No. 9202/028**

**SCC**

**space components  
coordination group**

| Issue/Rev.   | Date           | Approved by   |   |
|--------------|----------------|---|---|
|              |                | SCCG Chairman   | ESA Director General<br>or his Deputy   |
| Issue 4      | September 1993 |  |  |
| Revision 'A' | January 1995   |  |  |
|              |                |   |   |
|              |                |   |   |

**SCC**ESA/SCC Detail Specification  
No. 9202/028

Rev. 'A'

PAGE 2

ISSUE 4

**DOCUMENTATION CHANGE NOTICE**

| Rev. Letter | Rev. Date | Reference   | CHANGE Item  | Approved DCR No. |
|-------------|-----------|---|--|------------------|
|             |           | This issue supersedes Issue 3 and incorporates all modifications defined in Revisions 'A', 'B' and 'C' to Issue 3 and the following DCR's:- |  |                  |
|             |           | Cover page  |  | None             |
|             |           | DCN   |  | None             |
|             |           | Table 1(a)  | : Lead Material and/or Finish amended for existing Variants  | 22881            |
|             |           |   | : Variants 11 and 12 added   | 22881            |
|             |           | Table 1(b)  | : No. 2, in Remarks, Note No. amended to "1"   | 23573            |
|             |           |   | : No. 3, in Remarks, Note No. amended to "2"   | 23573            |
|             |           |   | : No. 6, existing temperature specified for DIL/FP, new temperature and Note reference added for CCP | 23573            |
|             |           |   | : Note 1 renumbered as "2"   | 23573            |
|             |           |   | : Note 2 renumbered as "3" and text amended  | 23573            |
|             |           |   | : Note 3 renumbered as "1"   | 23573            |
|             |           |   | : New Note 4 added   | 23573            |
|             |           | Figures 2(a), (b)   | : Figures amended  | 221033           |
|             |           | Figures 2(a), (b), (c)  | : Imperial dimensions deleted  | 22881            |
|             |           | Figures 2(b), (c)   | : Reference to Note 6 amended to "Note 10"   | 23519            |
|             |           | Figure 2(d)   | : New figure added   | 22881            |
|             |           | Notes to Figures  | : Title of the notes amended   | 22881            |
|             |           |   | : Note 1, last sentence added  | 22881            |
|             |           |   | : Note 8, 'or terminals' added   | 22881            |
|             |           |   | : Note 9, rewritten  | 22881            |
|             |           |   | : Notes 11 and 12 added  | 22881            |
|             |           | Figure 3(a)   | : Figure for chip carrier package added  | 22881            |
|             |           |   | : Subtitles added above both drawings  | 22881            |
|             |           |   | : Comparison table added   | 22881            |
|             |           |   | : Note 1 added   | 22881            |
|             |           | Para. 4.2.2   | : PIND deviation deleted, "None" added   | 21048            |
|             |           | Para. 4.2.4   | : Deviation deleted, "None" added  | 22919            |
|             |           | Para. 4.2.5   | : Deviation deleted, "None" added  | 22919            |
|             |           | Para. 4.3.2   | : Paragraph rewritten  | 23460            |
|             |           | Para. 4.4.2   | : Paragraph rewritten  | 22881            |
|             |           | Para. 4.5.2   | : Paragraph rewritten  | 22881            |
|             |           | Para. 4.5.3   | : Paragraph standardised   | 23519            |
|             |           | Para. 4.6.3   | : "...and functional test sequence..." deleted   | 23519            |
|             |           | Para. 4.7.1   | : "T <sub>amb</sub> " added before "... + 22 ± 3°C"  | 23519            |
|             |           | Paras. 4.7.2 & 4.7.3  | : In title and paragraph, "burn-in" amended to read "power burn-in"                                  | 23519            |
|             |           | Figure 4(h)   | : In Note 1, t <sub>p</sub> corrected to "0.5"   | 23573            |
|             |           | Para. 4.8   | : Title amended  | 23519            |
| 'A'         | Jan. '95  | P1. Cover Page  |  | None             |
|             |           | P2. DCN   |  | None             |
|             |           | P15. Para. 4.3.2  | : Maximum weights amended  | 221047           |

**TABLE OF CONTENTS**

|   | <u>Page</u> |
|---|-------------|
| <b>1. <u>GENERAL</u></b>  | <b>5</b>    |
| 1.1 Scope   | 5           |
| 1.2 Component Type Variants   | 5           |
| 1.3 Maximum Ratings   | 5           |
| 1.4 Parameter Derating Information  | 5           |
| 1.5 Physical Dimensions   | 5           |
| 1.6 Pin Assignment  | 5           |
| 1.7 Truth Table   | 5           |
| 1.8 Circuit Schematic   | 5           |
| 1.9 Functional Diagram  | 5           |
| <b>2. <u>APPLICABLE DOCUMENTS</u></b>                                       | <b>14</b>   |
| <b>3. <u>TERMS, DEFINITIONS, ABBREVIATIONS, SYMBOLS AND UNITS</u></b>       | <b>14</b>   |
| <b>4. <u>REQUIREMENTS</u></b>   | <b>14</b>   |
| 4.1 General   | 14          |
| 4.2 Deviations from Generic Specification                                   | 14          |
| 4.2.1 Deviations from Special In-process Controls                           | 14          |
| 4.2.2 Deviations from Final Production Tests                                | 14          |
| 4.2.3 Deviations from Burn-in Tests   | 14          |
| 4.2.4 Deviations from Qualification Tests                                   | 14          |
| 4.2.5 Deviations from Lot Acceptance Tests                                  | 14          |
| 4.3 Mechanical Requirements   | 15          |
| 4.3.1 Dimension Check   | 15          |
| 4.3.2 Weight  | 15          |
| 4.4 Materials and Finishes  | 15          |
| 4.4.1 Case  | 15          |
| 4.4.2 Lead Material and Finish  | 15          |
| 4.5 Marking   | 15          |
| 4.5.1 General   | 15          |
| 4.5.2 Lead Identification   | 15          |
| 4.5.3 The SCC Component Number  | 15          |
| 4.5.4 Traceability Information  | 16          |
| 4.6 Electrical Measurements   | 16          |
| 4.6.1 Electrical Measurements at Room Temperature                           | 16          |
| 4.6.2 Electrical Measurements at High and Low Temperatures                  | 16          |
| 4.6.3 Circuits for Electrical Measurements                                  | 16          |
| 4.7 Burn-in Tests   | 16          |
| 4.7.1 Parameter Drift Values  | 16          |
| 4.7.2 Conditions for Power Burn-in  | 16          |
| 4.7.3 Electrical Circuits for Power Burn-in                                 | 16          |
| 4.8 Environmental and Endurance Tests                                       | 25          |
| 4.8.1 Electrical Measurements on Completion of Environmental Tests          | 25          |
| 4.8.2 Electrical Measurements at Intermediate Points during Endurance Tests | 25          |
| 4.8.3 Electrical Measurements on Completion of Endurance Tests              | 25          |
| 4.8.4 Conditions for Operating Life Tests                                   | 25          |
| 4.8.5 Electrical Circuits for Operating Life Tests                          | 25          |
| 4.8.6 Conditions for High Temperature Storage Test                          | 25          |

**TABLES**

|  | <u>Page</u> |
|--|-------------|
| 1(a) Type Variants   | 6           |
| 1(b) Maximum Ratings   | 6           |
| 2 Electrical Measurements at Room Temperature, D.C. Parameters   | 17          |
| Electrical Measurements at Room Temperature, A.C. Parameters   | 18          |
| 3 Electrical Measurements at High and Low Temperatures   | 19          |
| 4 Parameter Drift Values   | 23          |
| 5 Conditions for Power Burn-in and Operating Life Test   | 23          |
| 6 Electrical Measurements on Completion of Environmental Tests and at Intermediate Points and on Completion of Endurance Tests | 26          |

**FIGURES**

|  |     |
|--|-----|
| 1 Not applicable   | N/A |
| 2 Physical Dimensions  | 7   |
| 3(a) Pin Assignment  | 12  |
| 3(b) Truth Table   | 12  |
| 3(c) Circuit Schematic   | 13  |
| 3(d) Functional Diagram  | 13  |
| 4 Circuits for Electrical Measurements                         | 20  |
| 5 Electrical Circuit for Power Burn-in and Operating Life Test | 24  |

**APPENDICES (Applicable to specific Manufacturers only)**

|   |    |
|---|----|
| 'A' Agreed Deviations for Texas Instruments (F) | 27 |
|---|----|

**1. GENERAL****1.1 SCOPE**

This specification details the ratings, physical and electrical characteristics, test and inspection data for a silicon monolithic, low power bipolar Schottky Quad 2-Line-to-1-Line Selector/Multiplexer, based on Type 54LS158. It shall be read in conjunction with ESA/SCC Generic Specification No. 9000, the requirements of which are supplemented herein.

**1.2 COMPONENT TYPE VARIANTS**

Variants of the basic type integrated circuits specified herein, which are also covered by this specification, are given in Table 1(a).

**1.3 MAXIMUM RATINGS**

The maximum ratings, which shall not be exceeded at any time during use or storage, applicable to the integrated circuits specified herein, are as scheduled in Table 1(b).

**1.4 PARAMETER DERATING INFORMATION (FIGURE 1)**

Not applicable.

**1.5 PHYSICAL DIMENSIONS**

The physical dimensions of the integrated circuits specified herein are shown in Figure 2.

**1.6 PIN ASSIGNMENT**

As per Figure 3(a).

**1.7 TRUTH TABLE**

As per Figure 3(b).

**1.8 CIRCUIT SCHEMATIC**

As per Figure 3(c).

**1.9 FUNCTIONAL DIAGRAM**

As per Figure 3(d).

**TABLE 1(a) - TYPE VARIANTS**

| VARIANT | CASE | FIGURE | LEAD MATERIAL AND/OR FINISH |
|---------|------|--------|-----------------------------|
| 01      | FLAT | 2(a)   | D7                          |
| 02      | FLAT | 2(a)   | G4                          |
| 05      | DIL  | 2(b)   | D7                          |
| 06      | DIL  | 2(b)   | G4                          |
| 07      | DIL  | 2(c)   | D7                          |
| 08      | DIL  | 2(c)   | D3 or D4                    |
| 11      | CCP  | 2(d)   | 7                           |
| 12      | CCP  | 2(d)   | 4                           |

**TABLE 1(b) - MAXIMUM RATINGS**

| No. | CHARACTERISTICS                                    | SYMBOL    | MAXIMUM RATINGS | UNIT | REMARKS          |
|-----|--|-----------|-----------------|------|------------------|
| 1   | Supply Voltage                                     | $V_{CC}$  | -0.5 to 7.0     | V    | -                |
| 2   | Input Voltage                                      | $V_{IN}$  | -0.5 to 7.0     | V    | Note 1           |
| 3   | Device Dissipation                                 | $P_D$     | 44              | mWdc | Note 2           |
| 4   | Operating Temperature Range                        | $T_{op}$  | -55 to +125     | °C   | -                |
| 5   | Storage Temperature Range                          | $T_{stg}$ | -65 to +150     | °C   | -                |
| 6   | Soldering Temperature<br>For FP and DIP<br>For CCP | $T_{sol}$ | +265<br>+245    | °C   | Note 3<br>Note 4 |

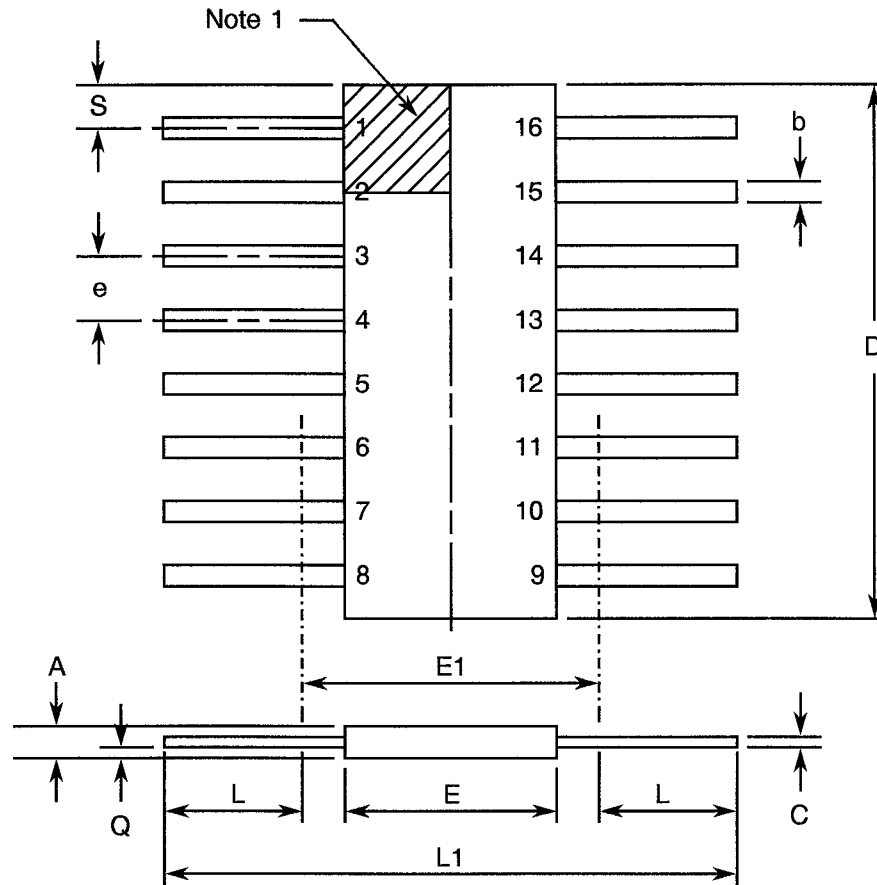
**NOTES**

1. Input current limited to -18mA.
2. Must withstand added  $P_D$  due to short circuit conditions (i.e.  $I_{OS}$ ) at one output for 5 seconds.
3. Duration 10 seconds maximum at a distance of not less than 1.5mm from the device body and the same lead shall not be resoldered until 3 minutes have elapsed.
4. Duration 5 seconds maximum and the same terminal shall not be resoldered until 3 minutes have elapsed.



**FIGURE 2 - PHYSICAL DIMENSIONS (CONTINUED)**

**FIGURE 2(a) - FLAT PACKAGE**



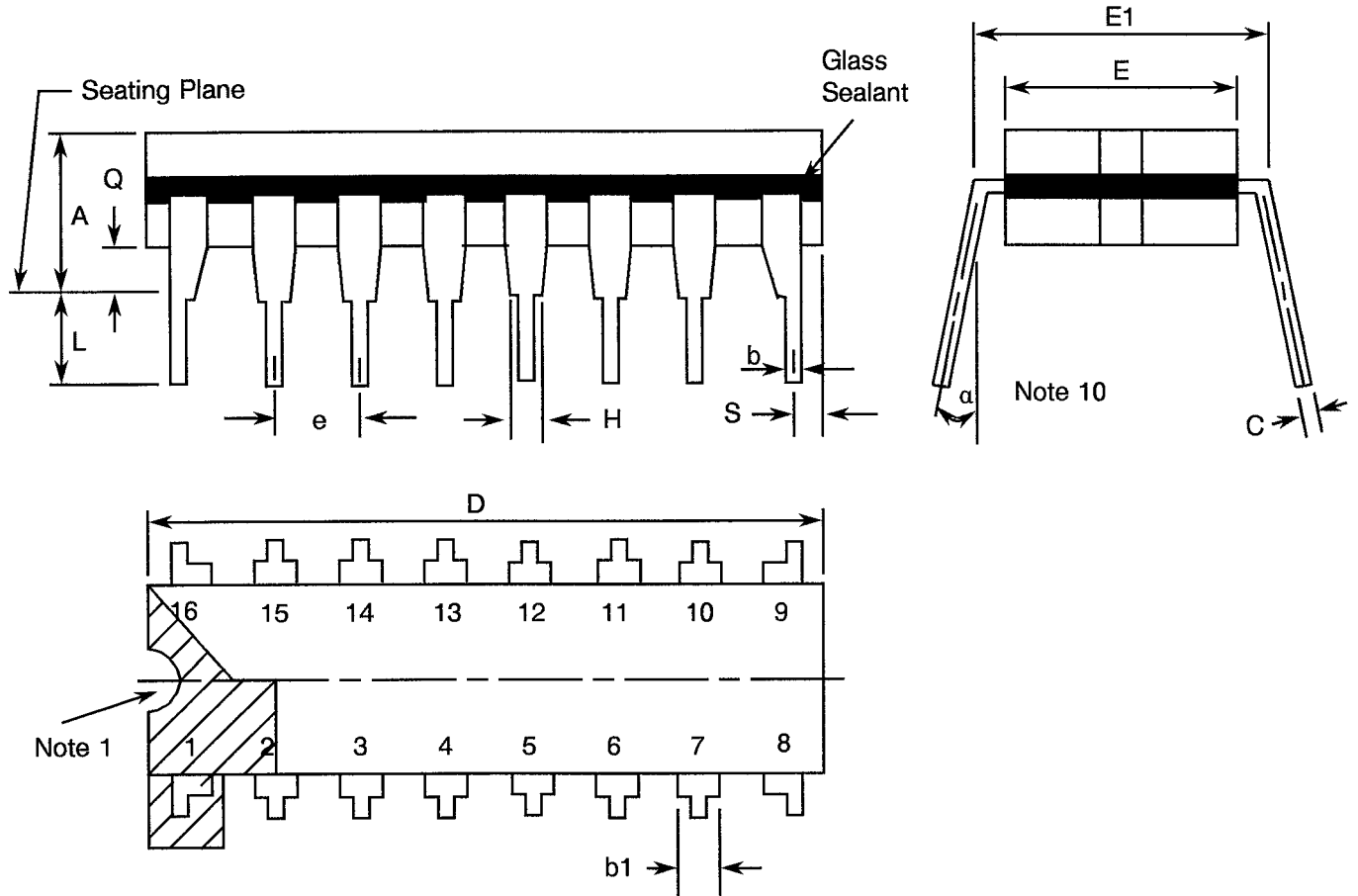
| SYMBOL | MILLIMETRES  |       | NOTES |
|--------|--------------|-------|-------|
|        | MIN          | MAX   |       |
| A      | 1.27         | 2.03  | -     |
| b      | 0.38         | 0.56  | 8     |
| C      | 0.08         | 0.23  | 8     |
| D      | 9.42         | 10.16 | -     |
| E      | 6.27         | 7.24  | -     |
| E1     | 7.00 TYPICAL |       | 4     |
| e      | 1.27 TYPICAL |       | 5, 9  |
| L      | 7.87         | 8.89  | -     |
| L1     | 23.88        | 24.38 | -     |
| Q      | 0.51         | 1.02  | 2     |
| S      | 0.25         | 0.64  | 7     |

**NOTES:** See Page 11.



**FIGURE 2 - PHYSICAL DIMENSIONS (CONTINUED)**

**FIGURE 2(b) - DUAL-IN-LINE PACKAGE**



| SYMBOL | MILLIMETRES  |       | NOTES |
|--------|--------------|-------|-------|
|        | MIN          | MAX   |       |
| A      | -            | 5.08  | -     |
| b      | 0.38         | 0.66  | 8     |
| b1     | -            | 1.78  | 8     |
| C      | 0.20         | 0.44  | 8     |
| D      | 19.18        | 19.94 | -     |
| E      | 6.22         | 7.62  | -     |
| E1     | 7.37         | 8.13  | 4     |
| e      | 2.54 TYPICAL |       | 6, 9  |
| F      | 1.27 TYPICAL |       | -     |
| H      | 0.76         | -     | -     |
| L      | 3.30         | 5.08  | -     |
| Q      | 0.51         | -     | 3     |
| S      | 0.38         | 1.27  | 7     |
| a      | 0°           | 15°   | 10    |

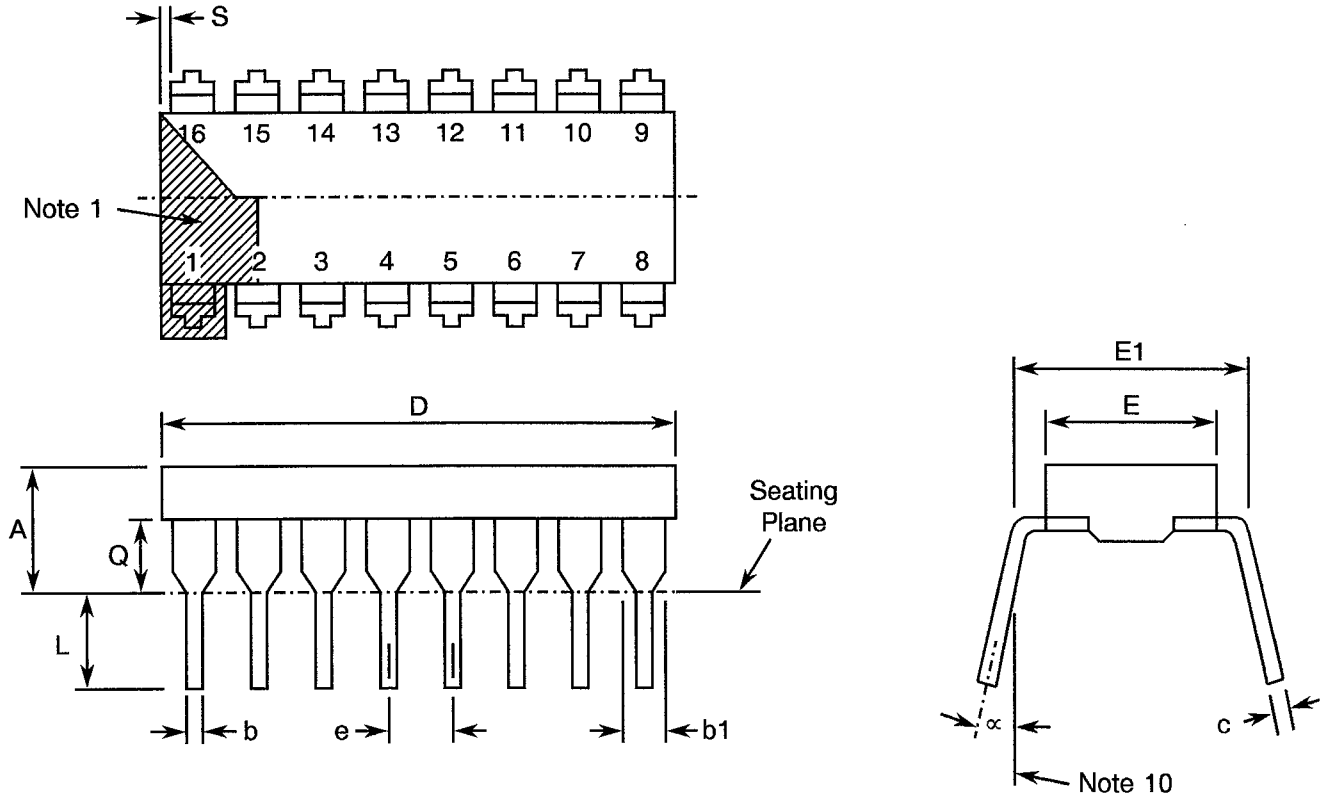
**NOTES:** See Page 11.





**FIGURE 2 - PHYSICAL DIMENSIONS (CONTINUED)**

**FIGURE 2(c) - DUAL-IN-LINE PACKAGE**



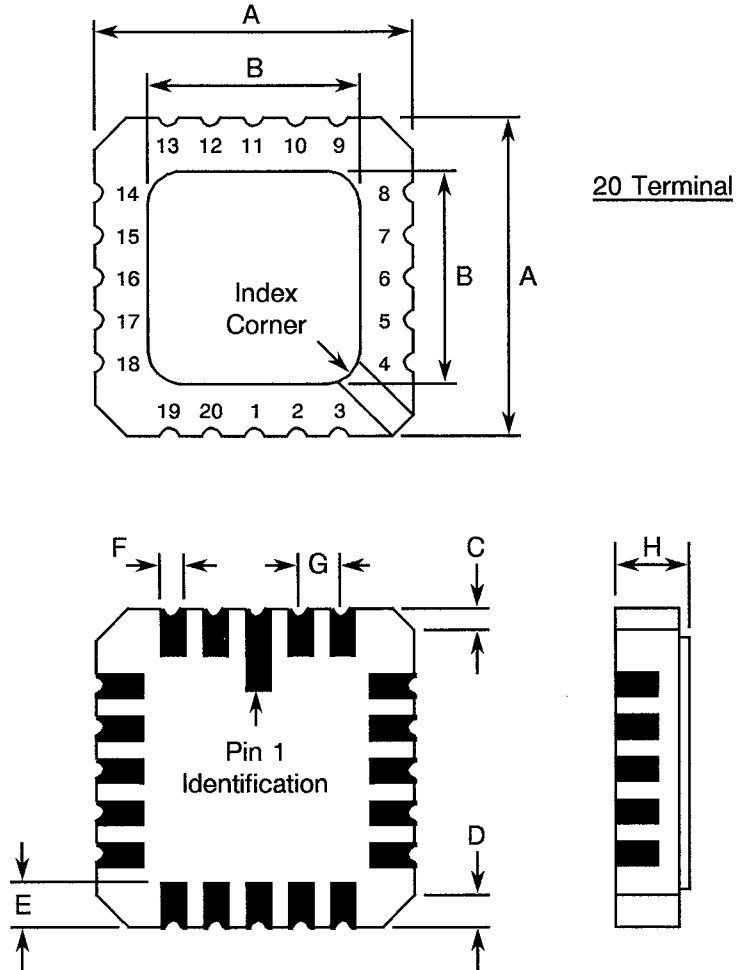
| SYMBOL | MILLIMETRES  |       | NOTES |
|--------|--------------|-------|-------|
|        | MIN.         | MAX.  |       |
| A      | -            | 5.08  | -     |
| b      | 0.36         | 0.58  | 8     |
| b1     | 0.76         | 1.78  | 8     |
| c      | 0.20         | 0.38  | 8     |
| D      | 18.80        | 22.10 | -     |
| E      | 5.59         | 7.87  | -     |
| E1     | 7.37         | 8.13  | 4     |
| e      | 2.54 TYPICAL |       | 6, 9  |
| L      | 3.18         | 5.08  | -     |
| Q      | 0.38         | 2.03  | 3     |
| S      | 0.25         | 1.35  | 7     |
| α      | 0°           | 15°   | 10    |

**NOTES:** See Page 11.



**FIGURE 2 - PHYSICAL DIMENSIONS (CONTINUED)**

**FIGURE 2(d) - SQUARE CHIP CARRIER PACKAGE (3 LAYER BASE)**



| SYMBOL | MILLIMETRES  |       | NOTES |
|--------|--------------|-------|-------|
|        | MIN.         | MAX.  |       |
| A      | 8.687        | 9.093 | -     |
| B      | 7.798        | 9.093 | -     |
| C      | 0.250        | 0.510 | 11    |
| D      | 0.889        | 1.143 | 12    |
| E      | 1.140        | 1.400 | 8     |
| F      | 0.559        | 0.712 | 8     |
| G      | 1.27 TYPICAL |       | 5, 9  |
| H      | 1.630        | 2.540 | -     |

**NOTES:** See Page 11.

**ESC**ESA/SCC Detail Specification  
No. 9202/028

PAGE 11

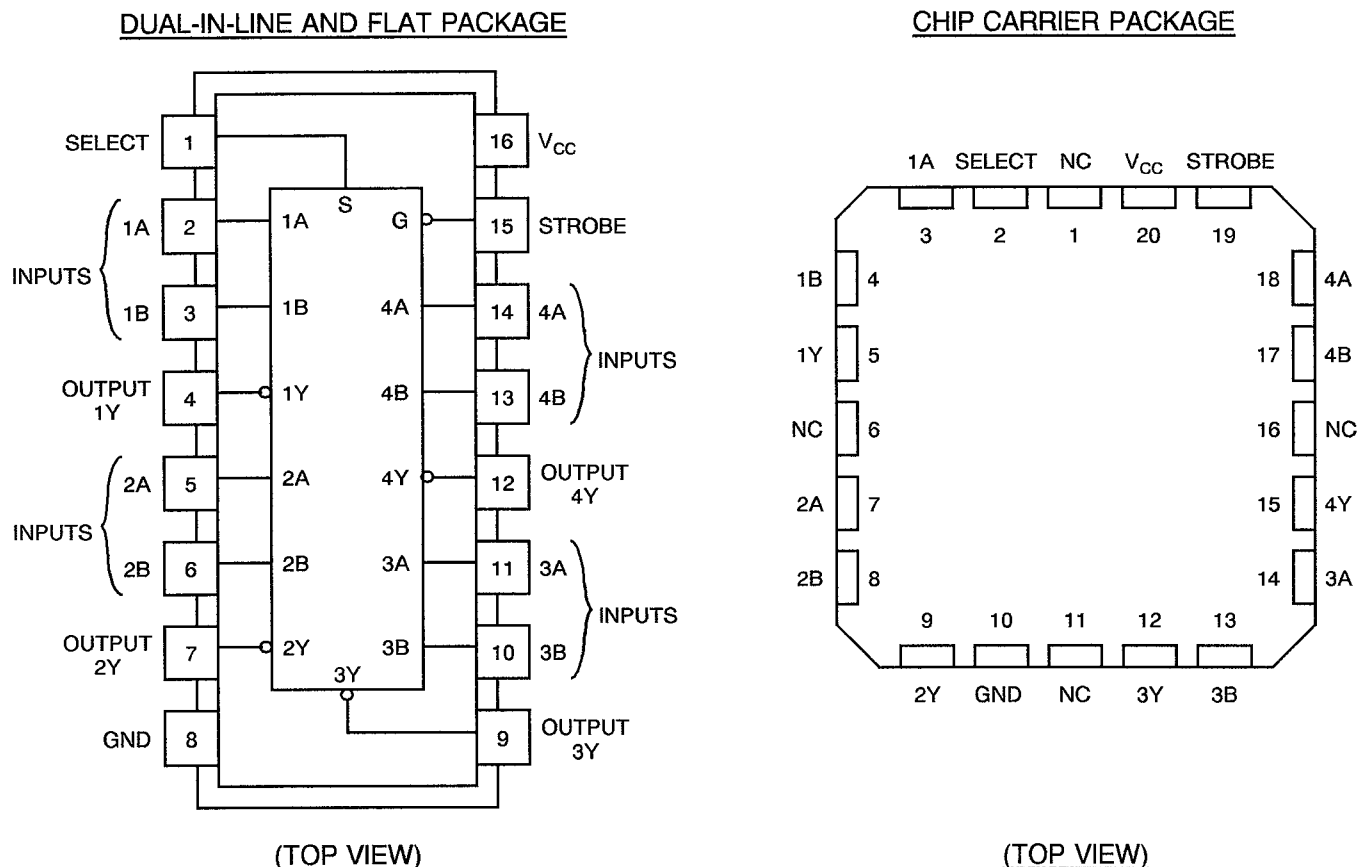
ISSUE 4

NOTES TO FIGURES 2(a) TO 2(d)

1. Index area; a notch or a dot shall be located adjacent to Pin 1 and shall be within the shaded area shown. For chip carrier packages, the index shall be as shown in Figure 2(d).
2. Dimension Q shall be measured at the point of exit of the lead from the body.
3. Dimension Q shall be measured from the seating plane to the base plane.
4. This dimension allows for off-centre lids, meniscus and glass overrun.
5. The true position pin spacing is 1.27mm between centrelines. Each pin centreline shall be located within  $\pm 0.13\text{mm}$  of its true longitudinal position relative to Pins 1 and 16.
6. The true position pin spacing is 2.54mm between centrelines. Each pin centreline shall be located within  $\pm 0.25\text{mm}$  of its true longitudinal position relative to Pins 1 and 16.
7. Applies to all four corners.
8. All leads or terminals.
9. 14 spaces for flat and dual-in-line packages.  
16 spaces for chip carrier packages.
10. Lead centre when  $\alpha$  is  $0^\circ$ .
11. Index corner only - 2 dimensions.
12. 3 non-index corners - 6 dimensions.



**FIGURE 3(a) - PIN ASSIGNMENT**



**FLAT PACKAGE AND DUAL-IN-LINE TO CHIP CARRIER PIN ASSIGNMENT**

|  |   |   |   |   |   |   |   |    |    |    |    |    |    |    |    |    |
|--|---|---|---|---|---|---|---|----|----|----|----|----|----|----|----|----|
| FLAT PACKAGE AND DUAL-IN-LINE PIN OUTS | 1 | 2 | 3 | 4 | 5 | 6 | 7 | 8  | 9  | 10 | 11 | 12 | 13 | 14 | 15 | 16 |
| CHIP CARRIER PIN OUTS                  | 2 | 3 | 4 | 5 | 7 | 8 | 9 | 10 | 12 | 13 | 14 | 15 | 17 | 18 | 19 | 20 |

**NOTES**

1. All references throughout this specification relate to FLAT/DIL packages only.

**FIGURE 3(b) - TRUTH TABLE**

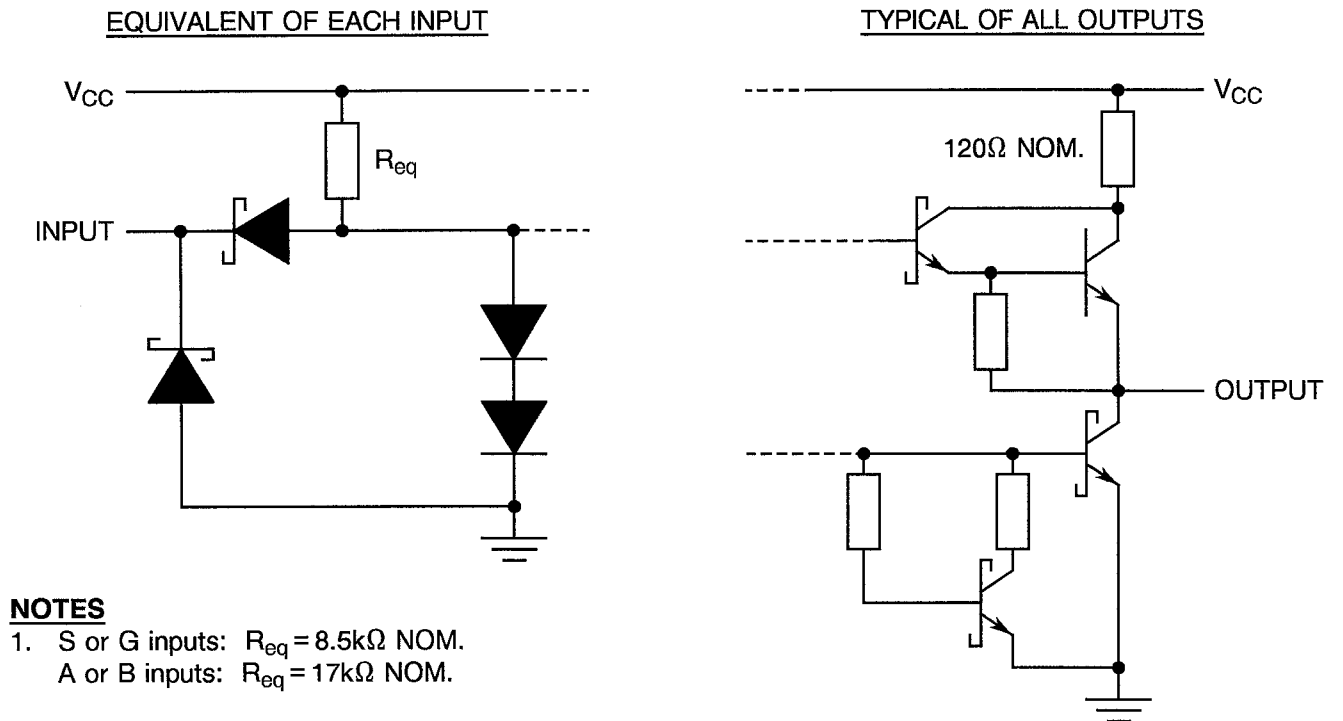
| INPUTS |        |   |   | OUTPUT |
|--------|--------|---|---|--------|
| STROBE | SELECT | A | B | Y      |
| H      | X      | X | X | H      |
| L      | L      | L | X | H      |
| L      | L      | H | X | L      |
| L      | H      | X | L | H      |
| L      | H      | X | H | L      |

**NOTES**

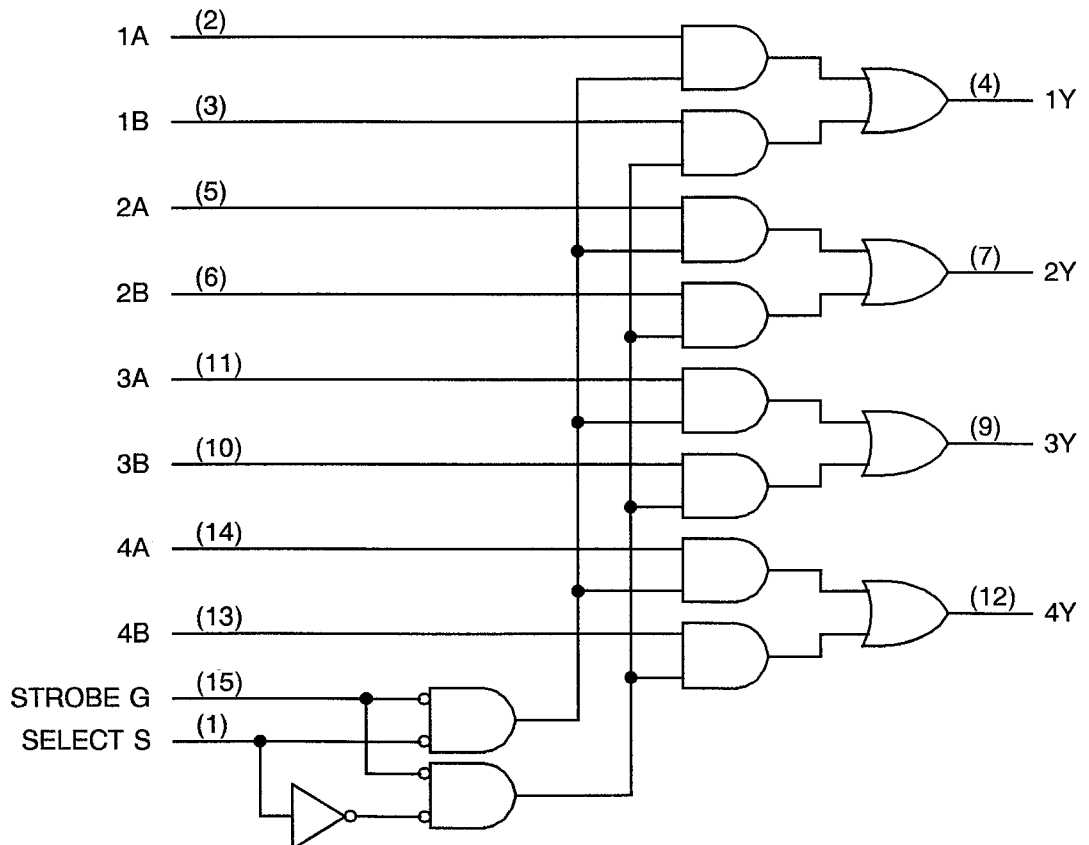
1. Logic Level Definitions: L = Low Level (Steady State), H = High Level (Steady State), X = Don't Care.



**FIGURE 3(c) - CIRCUIT SCHEMATIC**



**FIGURE 3(d) - FUNCTIONAL DIAGRAM**



**2. APPLICABLE DOCUMENTS**

The following documents form part of this specification and shall be read in conjunction with it:-

- (a) ESA/SCC Generic Specification No. 9000 for Integrated Circuits.
- (b) MIL-STD-883, Test Methods and Procedures for Micro-electronics.

**3. TERMS, DEFINITIONS, ABBREVIATIONS, SYMBOLS AND UNITS**

For the purpose of this specification, the terms, definitions, abbreviations, symbols and units specified in ESA/SCC Basic Specification No. 21300 shall apply. In addition, the following abbreviations are used:-

- $V_{IC}$  - Input Clamp Voltage.
- $I_{CC}$  - Supply Current.
- $V_{CC}$  - Supply Voltage.

**4. REQUIREMENTS****4.1 GENERAL**

The complete requirements for procurement of the integrated circuits specified herein are stated in this specification and ESA/SCC Generic Specification No. 9000 for Integrated Circuits. Deviations from the Generic Specification applicable to this specification only, are listed in Para. 4.2.

Deviations from the applicable Generic Specification and this Detail Specification, formally agreed with specific Manufacturers on the basis that the alternative requirements are equivalent to the ESA/SCC requirements and do not affect the components' reliability, are listed in the appendices attached to this specification.

**4.2 DEVIATIONS FROM GENERIC SPECIFICATION****4.2.1 Deviations from Special In-process Controls**

None.

**4.2.2 Deviations from Final Production Tests (Chart II)**

None.

**4.2.3 Deviations from Burn-in Tests (Chart III)**

- (a) Para. 7.1.1(a), High Temperature Reverse Bias tests and subsequent electrical measurements related to this test shall be omitted.
- (b) Para. 9.9.2, Electrical Measurements at High and Low Temperatures: Only a test result summary, based on go-no-go tests and presented in histogram form is required.

**4.2.4 Deviations from Qualification Tests (Chart IV)**

None.

**4.2.5 Deviations from Lot Acceptance Tests (Chart V)**

None.



4.3 MECHANICAL REQUIREMENTS

4.3.1 Dimension Check

The dimensions of the integrated circuits specified herein shall be checked. They shall conform to those shown in Figure 2.

4.3.2 Weight

The maximum weight of the integrated circuits specified herein shall be 0.7 grammes for the flat package, 2.2 grammes for the dual-in-line package and 0.6 grammes for the chip carrier package.

4.4 MATERIALS AND FINISHES

The materials and finishes shall be as specified herein. Where a definite material is not specified, a material which will enable the integrated circuits specified herein to meet the performance requirements of this specification shall be used. Acceptance or approval of any constituent material does not guarantee acceptance of the finished product.

4.4.1 Case

The case shall be hermetically sealed and have a metal body with hard glass seals or a ceramic body and the lids shall be welded, brazed, preform-soldered or glass frit-sealed.

4.4.2 Lead Material and Finish

For dual-in-line and flat packages, the material shall be either Type 'D' or Type 'G' with either Type '3 or 4', Type '4' or Type '7' finish in accordance with the requirements of ESA/SCC Basic Specification No. 23500. For chip carrier packages, the finish shall be either Type '4' or Type '7' in accordance with the requirements of ESA/SCC Basic Specification No. 23500. (See Table 1(a) for Type Variants).

4.5 MARKING

4.5.1 General

The marking of all components delivered to this specification shall be in accordance with the requirements of ESA/SCC Basic Specification No. 21700. Each component shall be marked in respect of:-

- (a) Lead Identification.
- (b) The SCC Component Number.
- (c) Traceability Information.

4.5.2 Lead Identification

For dual-in-line and flat packages, an index shall be located at the top of the package in the position defined in Note 1 to Figure 2 or, alternatively, a tab may be used to identify Pin No. 1. The pin numbering must be read with the index or tab on the left-hand side. For chip carrier packages, the index shall be as defined by Figure 2(d).

4.5.3 The SCC Component Number

Each component shall bear the SCC Component Number which shall be constituted and marked as follows:

920202802B

Detail Specification Number \_\_\_\_\_  
Type Variant (see Table 1(a)) \_\_\_\_\_  
Testing Level (B or C, as applicable) \_\_\_\_\_



#### 4.5.4 Traceability Information

Each component shall be marked in respect of traceability information in accordance with the requirements of ESA/SCC Basic Specification No. 21700.

### 4.6 ELECTRICAL MEASUREMENTS

#### 4.6.1 Electrical Measurements at Room Temperature

The parameters to be measured in respect of electrical characteristics are scheduled in Table 2. Unless otherwise specified, the measurements shall be performed at  $T_{amb} = +22 \pm 3$  °C.

#### 4.6.2 Electrical Measurements at High and Low Temperatures

The parameters to be measured at high and low temperatures are scheduled in Table 3. The measurements shall be performed at  $T_{amb} = +125$  and  $-55$  °C respectively.

#### 4.6.3 Circuits for Electrical Measurements

Circuits for use in performing the electrical measurements listed in Tables 2 and 3 of this specification are shown in Figure 4.

### 4.7 BURN-IN TESTS

#### 4.7.1 Parameter Drift Values

The parameter drift values applicable to burn-in are specified in Table 4 of this specification. Unless otherwise stated, measurements shall be performed at  $T_{amb} = +22 \pm 3$  °C. The parameter drift values ( $\Delta$ ) applicable to the parameters scheduled, shall not be exceeded. In addition to these drift value requirements, the appropriate limit value specified for a given parameter in Table 2 shall not be exceeded.

#### 4.7.2 Conditions for Power Burn-in

The requirements for power burn-in are specified in Section 7 of ESA/SCC Generic Specification No. 9000. The conditions for power burn-in shall be as specified in Table 5 of this specification.

#### 4.7.3 Electrical Circuits for Power Burn-in

Circuits for use in performing the power burn-in tests are shown in Figure 5 of this specification.





**TABLE 2 - ELECTRICAL MEASUREMENTS AT ROOM TEMPERATURE - D.C. PARAMETERS**

| No.      | CHARACTERISTICS   | SYMBOL    | TEST METHOD MIL-STD 883 | TEST FIG. | TEST CONDITIONS (PINS UNDER TEST)  | LIMITS |      | UNIT    |
|----------|---|-----------|-------------------------|-----------|--|--------|------|---------|
|          |   |           |                         |           |  | MIN    | MAX  |         |
| 1        | Functional Test   | -         | -                       | 3(b)      | Verify Truth Table with Load.<br>Note 1  | -      | -    | -       |
| 2 to 3   | Input Current High Level at S or G                      | $I_{IH1}$ | 3010                    | 4(a)      | $V_{CC} = 5.5V$ , $V_{IN} = 2.7V$<br>(Pins 1-15)   | -      | 40   | $\mu A$ |
| 4 to 5   | Input Current High Level at S or G (Max. Input Voltage) | $I_{IH2}$ | 3010                    | 4(a)      | $V_{CC} = 5.5V$ , $V_{IN} = 7.0V$<br>(Pins 1-15)   | -      | 200  | $\mu A$ |
| 6 to 13  | Input Current High Level at A or B                      | $I_{IH3}$ | 3010                    | 4(a)      | $V_{CC} = 5.5V$ , $V_{IN} = 2.7V$<br>(Pins 2-3-5-6-10-11-13-14)                                | -      | 20   | $\mu A$ |
| 14 to 21 | Input Current High Level at A or B (Max. Input Voltage) | $I_{IH4}$ | 3010                    | 4(a)      | $V_{CC} = 5.5V$ , $V_{IN} = 7.0V$<br>(Pins 2-3-5-6-10-11-13-14)                                | -      | 100  | $\mu A$ |
| 22 to 31 | Input Clamp Voltage                                     | $V_{IC}$  | 3009                    | 4(b)      | $V_{CC} = 4.5V$ , $I_{IN} = -18mA$<br>Note 2<br>(Pins 1-2-3-5-6-10-11-13-14-15)                | -      | -1.5 | V       |
| 32 to 33 | Input Current Low Level at S or G                       | $I_{IL1}$ | 3009                    | 4(c)      | $V_{CC} = 5.5V$ , $V_{IL} = 0.4V$<br>(Pins 1-15)   | -      | -800 | $\mu A$ |
| 34 to 41 | Input Current Low Level at A or B                       | $I_{IL2}$ | 3009                    | 4(c)      | $V_{CC} = 5.5V$ , $V_{IL} = 0.4V$<br>(Pins 2-3-5-6-10-11-13-14)                                | -      | -400 | $\mu A$ |
| 42 to 45 | Output Voltage Low Level                                | $V_{OL}$  | 3007                    | 4(d)      | $V_{CC} = 4.5V$ , $V_{IL} = 0.7V$<br>$V_{IH} = 2.0V$ , $I_{OL} = 4.0mA$<br>(Pins 4-7-9-12)     | -      | 0.4  | V       |
| 46 to 49 | Output Voltage High Level                               | $V_{OH}$  | 3006                    | 4(e)      | $V_{CC} = 4.5V$ , $V_{IL} = 0.7V$<br>$V_{IH} = 2.0V$ , $I_{OH} = -400\mu A$<br>(Pins 4-7-9-12) | 2.5    | -    | V       |
| 50 to 53 | Output Current Short Circuit                            | $I_{OS}$  | 3011                    | 4(f)      | $V_{CC} = 5.5V$<br>Note 3<br>(Pins 4-7-9-12)   | -15    | -100 | mA      |
| 54       | Supply Current  | $I_{CC}$  | 3005                    | 4(g)      | $V_{CC} = 5.5V$<br>All Outputs Open.<br>All Inputs at 4.5V.<br>Note 4<br>(Pin 16)              | -      | 8.0  | mA      |

**NOTES:** See Page 18.

**TABLE 2 - ELECTRICAL MEASUREMENTS AT ROOM TEMPERATURE - A.C. PARAMETERS**

| No.            | CHARACTERISTICS  | SYMBOL    | TEST METHOD<br>MIL-STD<br>883 | TEST FIG. | TEST CONDITIONS<br>(PINS UNDER TEST)<br>(NOTE 5)                         | LIMITS |     | UNIT |
|----------------|--|-----------|-------------------------------|-----------|--|--------|-----|------|
|                |  |           |                               |           |  | MIN    | MAX |      |
| 55<br>to<br>62 | Propagation Delay,<br>Low to High Level,<br>A or B to Y      | $t_{PLH}$ | 3003                          | 4(h)      | $V_{CC} = 5.0V$<br>$R_L = 2.0k\Omega$<br>$C_L = 15pF$<br>(Pins 4-7-9-12) | -      | 12  | ns   |
| 63<br>to<br>70 | Propagation Delay,<br>High to Low Level,<br>A or B to Y      | $t_{PHL}$ |                               |           |  | -      | 15  |      |
| 71<br>to<br>78 | Propagation Delay,<br>Low to High Level,<br>from Strobe to Y | $t_{PLH}$ | 3003                          | 4(h)      | $V_{CC} = 5.0V$<br>$R_L = 2.0k\Omega$<br>$C_L = 15pF$<br>(Pins 4-7-9-12) | -      | 17  | ns   |
| 79<br>to<br>86 | Propagation Delay,<br>High to Low Level,<br>from Strobe to Y | $t_{PHL}$ |                               |           |  | -      | 24  |      |
| 87<br>to<br>90 | Propagation Delay,<br>Low to High Level,<br>from Select to Y | $t_{PLH}$ | 3003                          | 4(h)      | $V_{CC} = 5.0V$<br>$R_L = 2.0k\Omega$<br>$C_L = 15pF$<br>(Pins 4-7-9-12) | -      | 20  | ns   |
| 91<br>to<br>94 | Propagation Delay,<br>High to Low Level,<br>from Select to Y | $t_{PHL}$ |                               |           |  | -      | 24  |      |

**NOTES**

1. Go-no-go test with  $V_{IL} = 0.3V$ ;  $V_{IH} = 3.0V$ ; trip point 1.5V.
2. All inputs and outputs not under test shall be open.
3. No more than one output should be shorted at a time, and only for 1 second maximum.
4.  $I_{CC}$  is measured with all outputs open and 4.5V applied to all inputs.
5. Propagation delay measurements shall be performed as a go-no-go test on a 100% basis. Read-and-record measurements shall be performed on an LTPD7 sample basis following the Chart III Burn-in Test.

**TABLE 3 - ELECTRICAL MEASUREMENTS AT HIGH AND LOW TEMPERATURES,  
+ 125(+ 0 - 5) °C AND - 55(+ 5 - 0) °C**

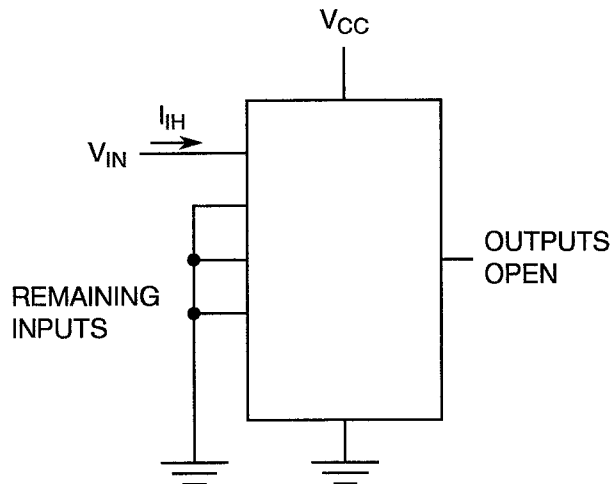
| No.      | CHARACTERISTICS   | SYMBOL           | TEST METHOD MIL-STD 883 | TEST FIG. | TEST CONDITIONS (PINS UNDER TEST)   | LIMITS |      | UNIT |
|----------|---|------------------|-------------------------|-----------|---|--------|------|------|
|          |   |                  |                         |           |   | MIN    | MAX  |      |
| 1        | Functional Test   | -                | -                       | 3(b)      | Verify Truth Table with Load.<br>Note 1   | -      | -    | -    |
| 2 to 3   | Input Current High Level at S or G                      | I <sub>IH1</sub> | 3010                    | 4(a)      | V <sub>CC</sub> = 5.5V, V <sub>IN</sub> = 2.7V<br>(Pins 1-15)   | -      | 40   | μA   |
| 4 to 5   | Input Current High Level at S or G (Max. Input Voltage) | I <sub>IH2</sub> | 3010                    | 4(a)      | V <sub>CC</sub> = 5.5V, V <sub>IN</sub> = 7.0V<br>(Pins 1-15)   | -      | 200  | μA   |
| 6 to 13  | Input Current High Level at A or B                      | I <sub>IH3</sub> | 3010                    | 4(a)      | V <sub>CC</sub> = 5.5V, V <sub>IN</sub> = 2.7V<br>(Pins 2-3-5-6-10-11-13-14)  | -      | 20   | μA   |
| 14 to 21 | Input Current High Level at A or B (Max. Input Voltage) | I <sub>IH4</sub> | 3010                    | 4(a)      | V <sub>CC</sub> = 5.5V, V <sub>IN</sub> = 7.0V<br>(Pins 2-3-5-6-10-11-13-14)  | -      | 100  | μA   |
| 22 to 31 | Input Clamp Voltage                                     | V <sub>IC</sub>  | 3009                    | 4(b)      | V <sub>CC</sub> = 4.5V, I <sub>IN</sub> = -18mA<br>Note 2<br>(Pins 1-2-3-5-6-10-11-13-14-15)                          | -      | -1.5 | V    |
| 32 to 33 | Input Current Low Level at S or G                       | I <sub>IL1</sub> | 3009                    | 4(c)      | V <sub>CC</sub> = 5.5V, V <sub>IL</sub> = 0.4V<br>(Pins 1-15)   | -      | -800 | μA   |
| 34 to 41 | Input Current Low Level at A or B                       | I <sub>IL2</sub> | 3009                    | 4(c)      | V <sub>CC</sub> = 5.5V, V <sub>IL</sub> = 0.4V<br>(Pins 2-3-5-6-10-11-13-14)  | -      | -400 | μA   |
| 42 to 45 | Output Voltage Low Level                                | V <sub>OL</sub>  | 3007                    | 4(d)      | V <sub>CC</sub> = 4.5V, V <sub>IL</sub> = 0.7V<br>V <sub>IH</sub> = 2.0V, I <sub>OL</sub> = 4.0mA<br>(Pins 4-7-9-12)  | -      | 0.4  | V    |
| 46 to 49 | Output Voltage High Level                               | V <sub>OH</sub>  | 3006                    | 4(e)      | V <sub>CC</sub> = 4.5V, V <sub>IL</sub> = 0.7V<br>V <sub>IH</sub> = 2.0V, I <sub>OH</sub> = -400μA<br>(Pins 4-7-9-12) | 2.5    | -    | V    |
| 50 to 53 | Output Current Short Circuit                            | I <sub>OS</sub>  | 3011                    | 4(f)      | V <sub>CC</sub> = 5.5V<br>Note 3<br>(Pins 4-7-9-12)   | -15    | -100 | mA   |
| 54       | Supply Current  | I <sub>CC</sub>  | 3005                    | 4(g)      | V <sub>CC</sub> = 5.5V<br>All Outputs Open.<br>All Inputs at 4.5V.<br>Note 4<br>(Pin 16)                              | -      | 8.0  | mA   |

**NOTES:** See Page 18.



**FIGURE 4 - CIRCUITS FOR ELECTRICAL MEASUREMENTS**

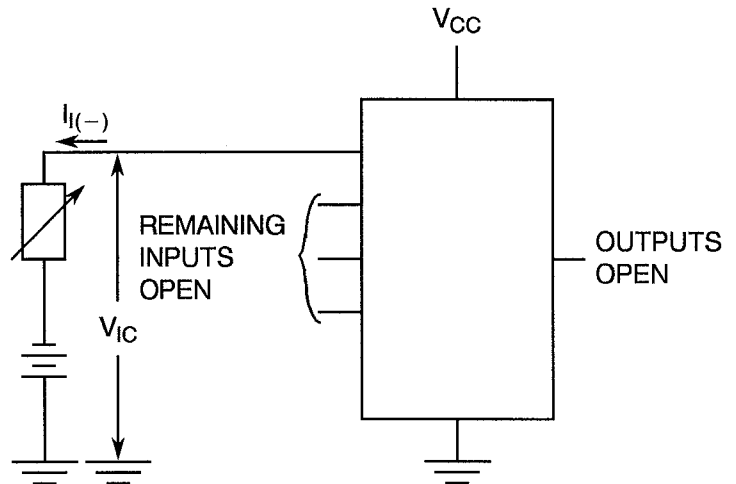
FIGURE 4(a) - HIGH LEVEL INPUT CURRENT



**NOTES**

1. Each input to be tested separately.

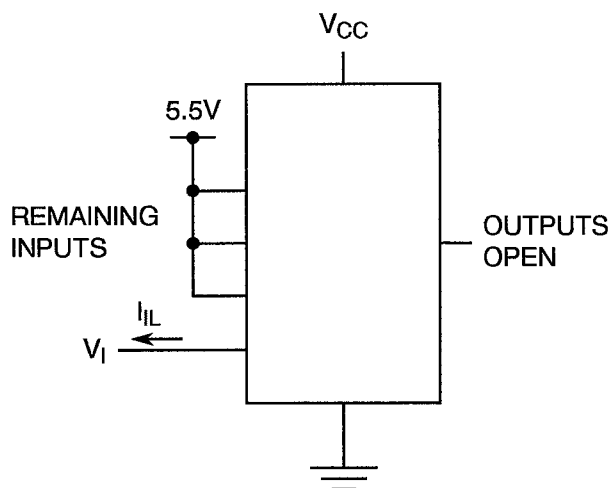
FIGURE 4(b) - INPUT CLAMP VOLTAGE



**NOTES**

1. Each input to be tested separately.

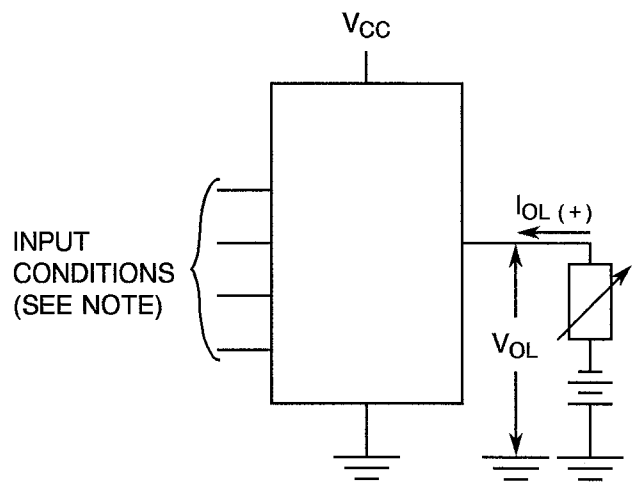
FIGURE 4(c) - LOW LEVEL INPUT CURRENT



**NOTES**

1. Each input to be tested separately.

FIGURE 4(d) - LOW LEVEL OUTPUT VOLTAGE



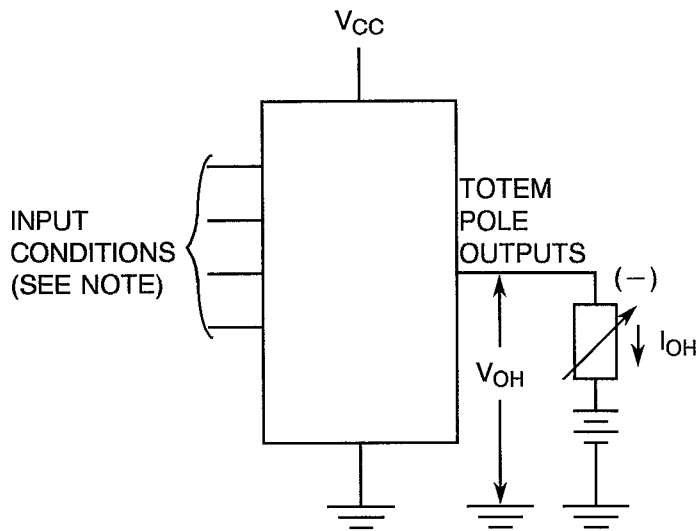
**NOTES**

1. Test per Truth Table.



**FIGURE 4 - CIRCUITS FOR ELECTRICAL MEASUREMENTS (CONTINUED)**

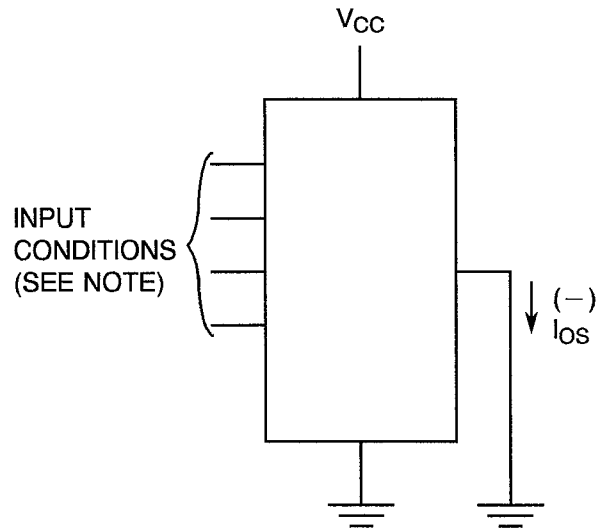
FIGURE 4(e) - HIGH LEVEL OUTPUT VOLTAGE



**NOTES**

1. Test per Truth Table.

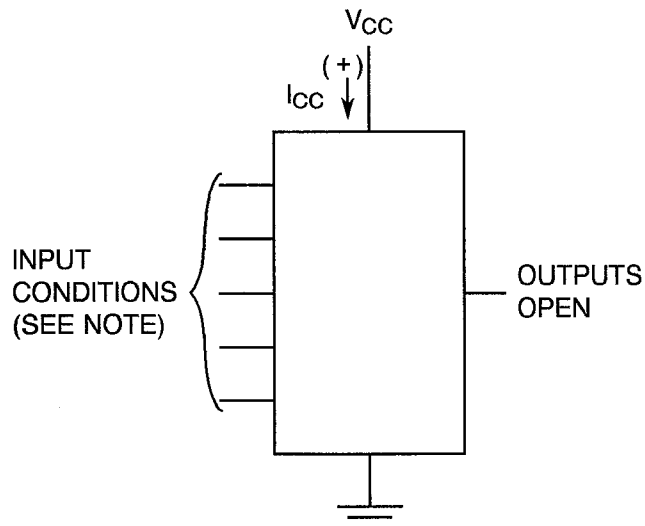
FIGURE 4(f) - SHORT CIRCUIT OUTPUT CURRENT



**NOTES**

1. Test per Truth Table.
2.  $V_{IN}$  Strobe = 5.5V.

FIGURE 4(g) - SUPPLY CURRENT



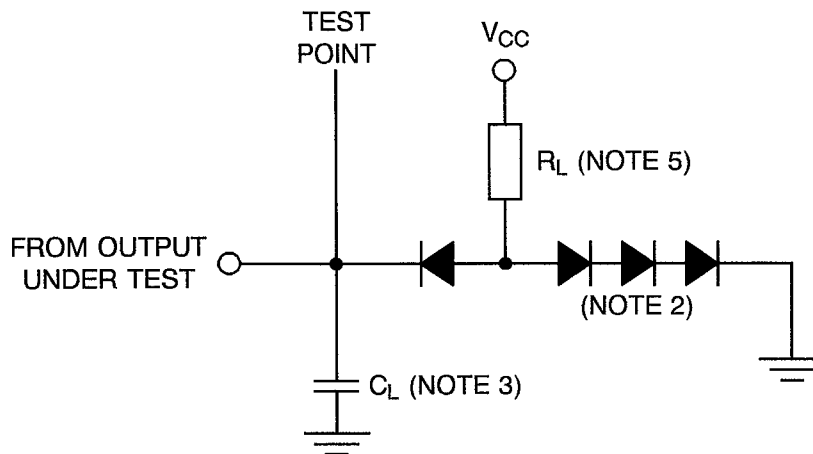
**NOTES**

1. See Note 4 to Table 2.

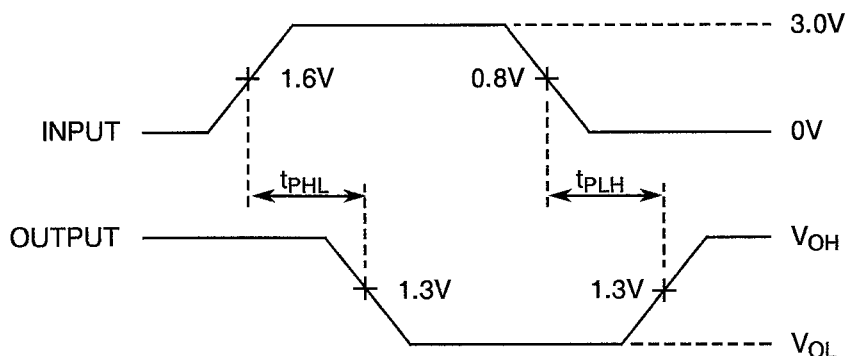


**FIGURE 4 - CIRCUITS FOR ELECTRICAL MEASUREMENTS (CONTINUED)**

**FIGURE 4(h) - DYNAMIC TEST AND SWITCHING WAVEFORMS**



**VOLTAGE WAVEFORMS**



**NOTES**

1. The generator has the following characteristics:  $V_{GEN} = 3.0 \pm 0.2V$ ,  $t_r < 15ns$ ,  $t_f < 6.0ns$ ,  $t_p = 0.5\mu s$ ,  $PRR = 1.0MHz$ ,  $Z_{OUT} = 50\Omega$ .
2. All diodes are 1N916 or 1N3064.
3.  $C_L = 15pF$  minimum including scope probe, wiring and stray capacitance without package in test fixture.
4. Each gate tested separately.
5.  $R_L = 2.0k\Omega \pm 5\%$ .

**TABLE 4 - PARAMETER DRIFT VALUES**

| No.      | CHARACTERISTICS           | SYMBOL    | SPEC. AND/OR TEST METHOD | TEST CONDITIONS | CHANGE LIMITS ( $\Delta$ )      | UNIT         |
|----------|---------------------------|-----------|--------------------------|-----------------|---------------------------------|--------------|
| 6 to 13  | Input Current High Level  | $I_{IH2}$ | As per Table 2           | As per Table 2  | $\pm 20$<br>or (1)<br>$\pm 0.5$ | %<br>$\mu A$ |
| 34 to 41 | Input Current Low Level   | $I_{IL2}$ | As per Table 2           | As per Table 2  | $\pm 18$                        | $\mu A$      |
| 42 to 45 | Output Voltage Low Level  | $V_{OL}$  | As per Table 2           | As per Table 2  | $\pm 60$                        | mV           |
| 46 to 49 | Output Voltage High Level | $V_{OH}$  | As per Table 2           | As per Table 2  | $\pm 240$                       | mV           |

**NOTES**

1. Whichever is greater, referred to the initial value.

**TABLE 5 - CONDITIONS FOR POWER BURN-IN AND OPERATING LIFE TEST**

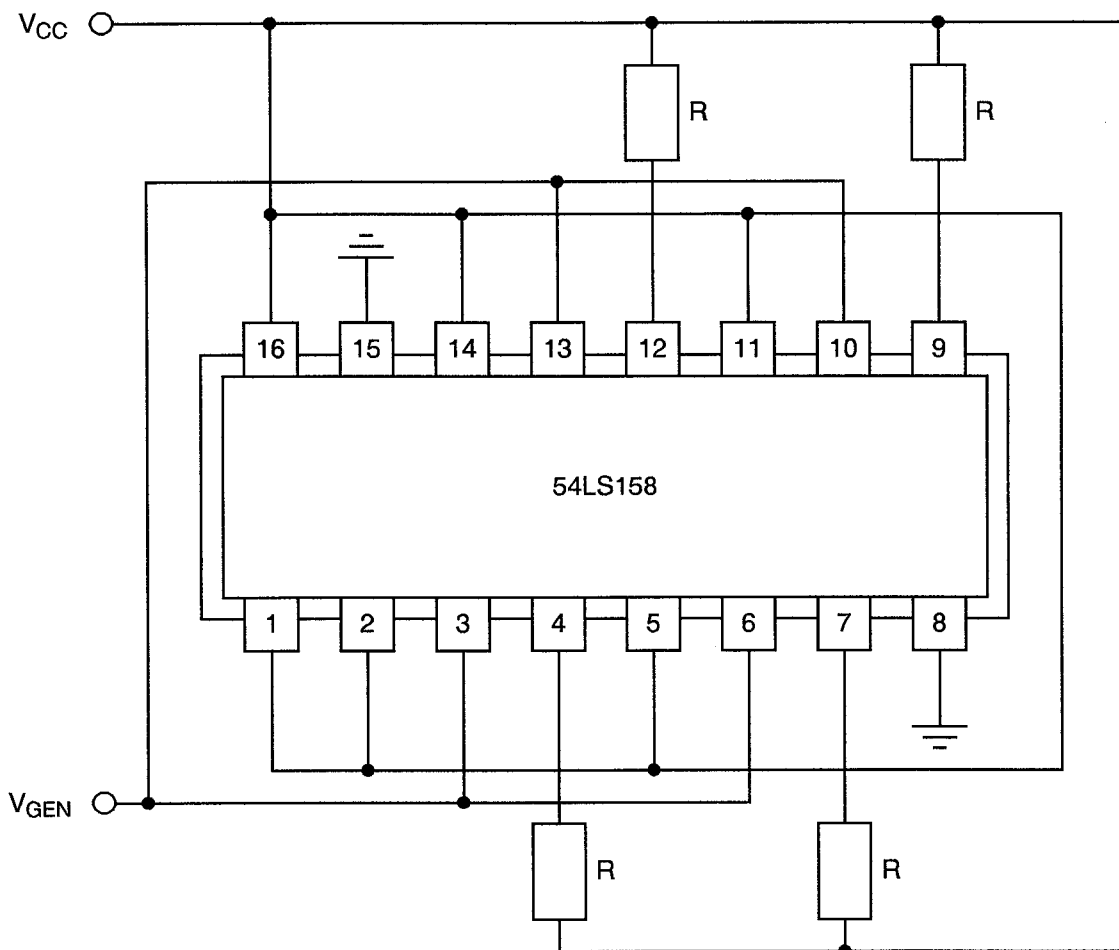
| No. | CHARACTERISTICS      | SYMBOL    | CONDITION            | UNIT        |
|-----|----------------------|-----------|----------------------|-------------|
| 1   | Ambient Temperature  | $T_{amb}$ | + 125( + 0 – 5)      | $^{\circ}C$ |
| 2   | Power Supply Voltage | $V_{CC}$  | + 5( + 0.5 – 0)      | V           |
| 3   | Pulse Voltage        | $V_{GEN}$ | 0.5 max. to 3.0 min. | V           |
| 4   | Frequency            | f         | 100<br>(See Note 1)  | Hz          |
| 5   | Fan-out              | -         | 10                   | -           |
| 6   | Rise Time            | $t_r$     | 50 max.              | $\mu s$     |
| 7   | Fall Time            | $t_f$     | 50 max.              | $\mu s$     |
| 8   | Duty Cycle           | -         | 20 min.              | %           |

**NOTES**

1. Tolerance  $\pm 10\%$ .



**FIGURE 5 - ELECTRICAL CIRCUIT FOR POWER BURN-IN AND OPERATING LIFE TEST**



**NOTES**

1.  $R = 1.2k\Omega$ .





4.8 ENVIRONMENTAL AND ENDURANCE TESTS (CHARTS IV AND V OF ESA/SCC GENERIC SPECIFICATION NO. 9000)

4.8.1 Electrical Measurements on Completion of Environmental Tests

The parameters to be measured on completion of environmental tests are scheduled in Table 6. Unless otherwise stated, the measurements shall be performed at  $T_{amb} = +22 \pm 3$  °C.

4.8.2 Electrical Measurements at Intermediate Points during Endurance Tests

The parameters to be measured at intermediate points during endurance tests are as scheduled in Table 6 of this specification.

4.8.3 Electrical Measurements on Completion of Endurance Tests

The parameters to be measured on completion of endurance testing are as scheduled in Table 6 of this specification. Unless otherwise stated, the measurements shall be performed at  $T_{amb} = +22 \pm 3$  °C.

4.8.4 Conditions for Operating Life Tests

The requirements for operating life testing are specified in Section 9 of ESA/SCC Generic Specification No. 9000. The conditions for operating life testing shall be as specified in Table 5 of this specification.

4.8.5 Electrical Circuits for Operating Life Tests

Circuits for use in performing the operating life tests are shown in Figure 5.

4.8.6 Conditions for High Temperature Storage Test

The requirements for the high temperature storage test are specified in ESA/SCC Generic Specification No. 9000. The conditions for high temperature storage shall be  $T_{amb} = +150(+0-5)$  °C.

**TABLE 6 - ELECTRICAL MEASUREMENTS ON COMPLETION OF ENVIRONMENTAL TESTS AND AT INTERMEDIATE POINTS AND ON COMPLETION OF ENDURANCE TESTS**

| No.      | CHARACTERISTICS            | SYMBOL           | SPEC. AND/OR TEST METHOD | TEST CONDITIONS | CHANGE LIMITS |          | UNIT |
|----------|----------------------------|------------------|--------------------------|-----------------|---------------|----------|------|
|          |                            |                  |                          |                 | (Δ)           | ABSOLUTE |      |
| 6 to 13  | Input Current High Level 3 | I <sub>IH3</sub> | As per Table 2           | As per Table 2  | ± 1.0         | -        | μA   |
| 14 to 21 | Input Current High Level 4 | I <sub>IH4</sub> | As per Table 2           | As per Table 2  | -             | 100      | μA   |
| 34 to 41 | Input Current Low Level    | I <sub>IL2</sub> | As per Table 2           | As per Table 2  | ± 12          | -        | μA   |
| 42 to 45 | Output Voltage Low Level   | V <sub>OL</sub>  | As per Table 2           | As per Table 2  | ± 60          | -        | mV   |
| 46 to 49 | Output Voltage High Level  | V <sub>OH</sub>  | As per Table 2           | As per Table 2  | ± 240         | -        | mV   |
| 54       | Supply Current             | I <sub>CC</sub>  | As per Table 2           | As per Table 2  | ± 20          | -        | %    |

**APPENDIX 'A'**

AGREED DEVIATIONS FOR TEXAS INSTRUMENTS (F)

| ITEMS AFFECTED | DESCRIPTION OF DEVIATIONS   |
|----------------|---|
| Para. 4.2.1    | Scanning Electron Microscope (SEM) Inspection may be performed using TIF document TIF 3.61.610.001.   |
| Para. 4.2.2    | Prior to Die Shear Test TIF may perform a Radiographic Inspection on the randomly chosen samples to be subjected to this test, using TIF document TIF 50.42-3002. |
| Para. 4.2.3    | Radiographic Inspection may be performed using TIF document TIF 50.42-3002.   |