



europaean space agency  
agence spatiale européenne

Pages 1 to 28

INTEGRATED CIRCUITS, SILICON MONOLITHIC,  
BIPOLAR CRYSTAL-CONTROLLED OSCILLATOR,  
BASED ON TYPE 54LS321

ESA/SCC Detail Specification No. 9202/066



space components  
coordination group

Issue/Rev.	Date	Approved by	
		SCCG Chairman	ESA Director General or his Deputy
Issue 2	April 1993	<i>Ponomarev</i>	<i>L. Kubit</i>
Revision 'A'	January 1995	<i>Ponomarev</i>	<i>[Signature]</i>

**DOCUMENTATION CHANGE NOTICE**

Rev. Letter	Rev. Date	Reference	CHANGE Item	Approved DCR No.
		This issue supersedes Issue 1 and incorporates all modifications defined in Revisions 'A' and 'B' to Issue 1 and the following DCR's:-		
		Cover page		None
		DCN		None
		Table 1(a)	: Lead Material and/or Finish amended for existing Variants	22881
			: Variants 11 and 12 added	22881
		Table 1(b)	: No. 2, in Remarks, Note No. amended to "1"	23573
			: No. 3, in Remarks, Note No. amended to "2"	23573
			: No. 6, existing temperature specified for DIL/FP, new temperature and Note reference added for CCP	23573
			: Note 1 renumbered as "2"	23573
			: Note 2 renumbered as "3" and text amended	23573
			: Note 3 renumbered as "1"	23573
			: New Note 4 added	23573
		Figures 2(a), (b), (c)	: Imperial dimensions deleted	22881
		Figures 2(a), (b)	: Drawings and dimensions amended	221033
		Figures 2(b), (c)	: Reference to Note 6 amended to "Note 10"	23519
		Figure 2(d)	: New figure added	22881
		Notes to Figures	: Title of the notes amended	22881
			: Note 1, last sentence added	22881
			: Note 8, 'or terminals' added	22881
			: Note 9, rewritten	22881
			: Notes 11 and 12 added	22881
		Figure 3(a)	: Figure for chip carrier package added	22881
			: Subtitles added above both drawings	22881
			: Comparison table added	22881
			: Note 1 added	22881
		Figure 3(b)	: Note amended	23519
		Para. 4.2.2	: PIND deviation deleted, "None" added	21048
		Para. 4.2.4	: Deviation deleted, "None" added	22919
		Para. 4.2.5	: Deviation deleted, "None" added	22919
		Para. 4.3.2	: Paragraph rewritten	23460
		Para. 4.4.2	: Paragraph rewritten	22881
		Para. 4.5.2	: Paragraph rewritten	22881
		Para. 4.5.3	: Paragraph standardised	23519
		Para. 4.6.3	: "...and functional test sequence..." deleted	23519
		Para. 4.7.1	: "T <sub>amb</sub> " added before "... + 22 ± 3 °C"	23519
		Paras. 4.7.2 & 4.7.3	: In title and paragraph, "burn-in" amended to read "power burn-in"	23519
		Tables 2 and 3	: I <sub>IH1</sub> , I <sub>IH2</sub> and I <sub>IL</sub> deleted for pins 1, 2, 14, 15	22867
			: V <sub>IL</sub> deleted for pins 14 and 15	22867
			: Items renumbered	22867
		Tables 2dc and 3	: Format for item 1 standardised	
		Figure 4(i)	: In Note 1, t <sub>p</sub> corrected to "0.5"	23573
		Table 4	: Items renumbered	22867
		Para. 4.8	: Title amended	23519
		Table 6	: Items renumbered	22867

**SCC**ESA/SCC Detail Specification  
No. 9202/066

Rev. 'A'

PAGE 2A

ISSUE 2

**DOCUMENTATION CHANGE NOTICE**

Rev. Letter	Rev. Date	Reference	CHANGE Item	Approved DCR No.
'A'	Jan. '95	P1. Cover Page P2A. DCN P15. Para. 4.3.2	: Page added : Maximum weights amended	None None 221047

**TABLE OF CONTENTS**

	<u>Page</u>
<b>1. <u>GENERAL</u></b>	<b>5</b>
1.1 Scope	5
1.2 Component Type Variants	5
1.3 Maximum Ratings	5
1.4 Parameter Derating Information	5
1.5 Physical Dimensions	5
1.6 Pin Assignment	5
1.7 Truth Table	5
1.8 Circuit Schematic	5
1.9 Functional Diagram	5
<b>2. <u>APPLICABLE DOCUMENTS</u></b>	<b>14</b>
<b>3. <u>TERMS, DEFINITIONS, ABBREVIATIONS, SYMBOLS AND UNITS</u></b>	<b>14</b>
<b>4. <u>REQUIREMENTS</u></b>	<b>14</b>
4.1 General	14
4.2 Deviations from Generic Specification	14
4.2.1 Deviations from Special In-process Controls	14
4.2.2 Deviations from Final Production Tests	14
4.2.3 Deviations from Burn-in Tests	14
4.2.4 Deviations from Qualification Tests	14
4.2.5 Deviations from Lot Acceptance Tests	14
4.3 Mechanical Requirements	15
4.3.1 Dimension Check	15
4.3.2 Weight	15
4.4 Materials and Finishes	15
4.4.1 Case	15
4.4.2 Lead Material and Finish	15
4.5 Marking	15
4.5.1 General	15
4.5.2 Lead Identification	15
4.5.3 The SCC Component Number	15
4.5.4 Traceability Information	16
4.6 Electrical Measurements	16
4.6.1 Electrical Measurements at Room Temperature	16
4.6.2 Electrical Measurements at High and Low Temperatures	16
4.6.3 Circuits for Electrical Measurements	16
4.7 Burn-in Tests	16
4.7.1 Parameter Drift Values	16
4.7.2 Conditions for Power Burn-in	16
4.7.3 Electrical Circuits for Power Burn-in	16
4.8 Environmental and Endurance Tests	26
4.8.1 Electrical Measurements on Completion of Environmental Tests	26
4.8.2 Electrical Measurements at Intermediate Points during Endurance Tests	26
4.8.3 Electrical Measurements on Completion of Endurance Tests	26
4.8.4 Conditions for Operating Life Tests	26
4.8.5 Electrical Circuits for Operating Life Tests	26
4.8.6 Conditions for High Temperature Storage Test	26

**TABLES**Page



1(a)	Type Variants	6
1(b)	Maximum Ratings	6
2	Electrical Measurements at Room Temperature, D.C. Parameters	17
	Electrical Measurements at Room Temperature, A.C. Parameters	18
3	Electrical Measurements at High and Low Temperatures	19
4	Parameter Drift Values	24
5	Conditions for Power Burn-in and Operating Life Test	24
6	Electrical Measurements on Completion of Environmental Tests and at Intermediate Points and on Completion of Endurance Tests	27

**FIGURES**

1	Not applicable	N/A
2	Physical Dimensions	7
3(a)	Pin Assignment	12
3(b)	Truth Table	12
3(c)	Circuit Schematic	13
3(d)	Functional Diagram	13
4	Circuits for Electrical Measurements	20
5	Electrical Circuit for Power Burn-in and Operating Life Test	25

**APPENDICES (Applicable to specific Manufacturers only)**

'A'	Agreed Deviations for Texas Instruments (F)	28
-----	---	----

 	ESA/SCC Detail Specification No. 9202/066		PAGE 5 ISSUE 2
---	--	--	-------------------

1. **GENERAL**

1.1 **SCOPE**

This specification details the ratings, physical and electrical characteristics, test and inspection data for a silicon monolithic, low power bipolar Schottky Crystal-Controlled Isolator, based on Type 54LS321. It shall be read in conjunction with ESA/SCC Generic Specification No. 9000, the requirements of which are supplemented herein.

1.2 **COMPONENT TYPE VARIANTS**

Variants of the basic type integrated circuits specified herein, which are also covered by this specification, are given in Table 1(a).

1.3 **MAXIMUM RATINGS**

The maximum ratings, which shall not be exceeded at any time during use or storage, applicable to the integrated circuits specified herein, are as scheduled in Table 1(b).

1.4 **PARAMETER DERATING INFORMATION (FIGURE 1)**

Not applicable.

1.5 **PHYSICAL DIMENSIONS**

The physical dimensions of the integrated circuits specified herein are shown in Figure 2.

1.6 **PIN ASSIGNMENT**

As per Figure 3(a).

1.7 **TRUTH TABLE**

As per Figure 3(b).

1.8 **CIRCUIT SCHEMATIC**

As per Figure 3(c).

1.9 **FUNCTIONAL DIAGRAM**

As per Figure 3(d).

**TABLE 1(a) - TYPE VARIANTS**

VARIANT	CASE	FIGURE	LEAD MATERIAL AND/OR FINISH
01	FLAT	2(a)	D7
02	FLAT	2(a)	G4
05	DIL	2(b)	D7
06	DIL	2(b)	G4
07	DIL	2(c)	D7
08	DIL	2(c)	D3 or D4
11	CCP	2(d)	7
12	CCP	2(d)	4

**TABLE 1(b) - MAXIMUM RATINGS**

No.	CHARACTERISTICS	SYMBOL	MAXIMUM RATINGS	UNIT	REMARKS
1	Supply Voltage	$V_{CC}$	- 0.5 to 7.0	V	-
2	Input Voltage	$V_{IN}$	- 0.5 to 7.0	V	Note 1
3	Device Dissipation	$P_D$	412.5	mWdc	Note 2
4	Operating Temperature Range	$T_{op}$	- 55 to + 125	°C	-
5	Storage Temperature Range	$T_{stg}$	- 65 to + 150	°C	-
6	Soldering Temperature For FP and DIP For CCP	$T_{sol}$	+ 265 + 245	°C	Note 3 Note 4

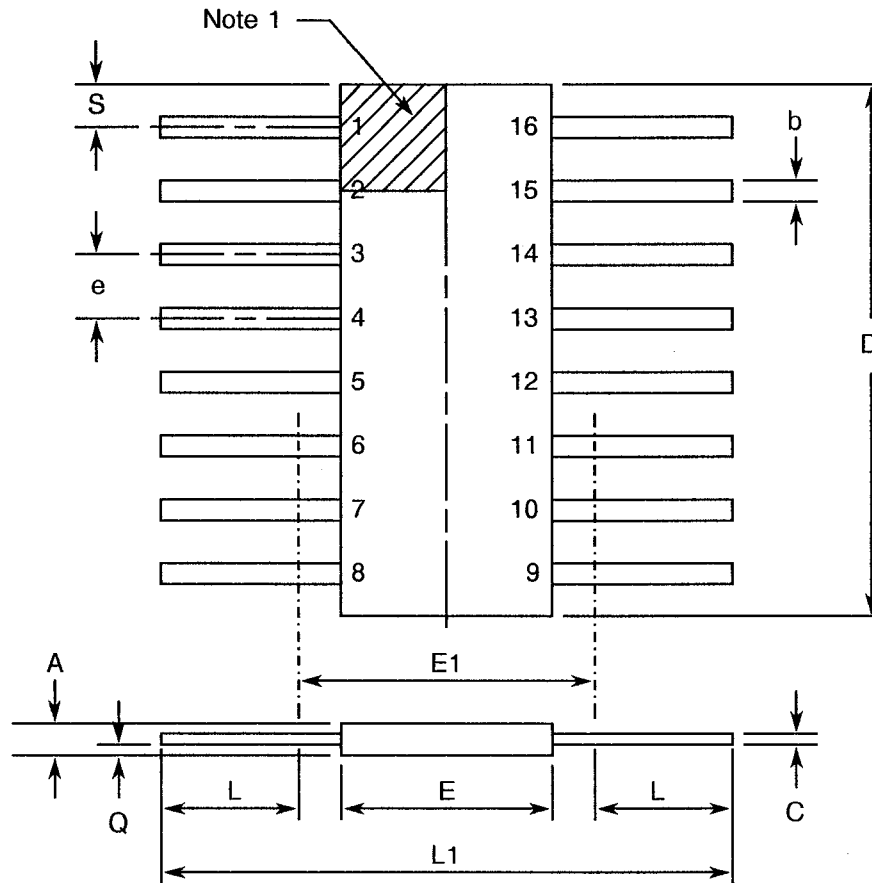
**NOTES**

- Input current limited to - 18mA.
- Must withstand added  $P_D$  due to short circuit conditions (i.e.  $I_{OS}$ ) at one output for 5 seconds.
- Duration 10 seconds maximum at a distance of not less than 1.5mm from the device body and the same lead shall not be resoldered until 3 minutes have elapsed.
- Duration 5 seconds maximum and the same terminal shall not be resoldered until 3 minutes have elapsed.



**FIGURE 2 - PHYSICAL DIMENSIONS**

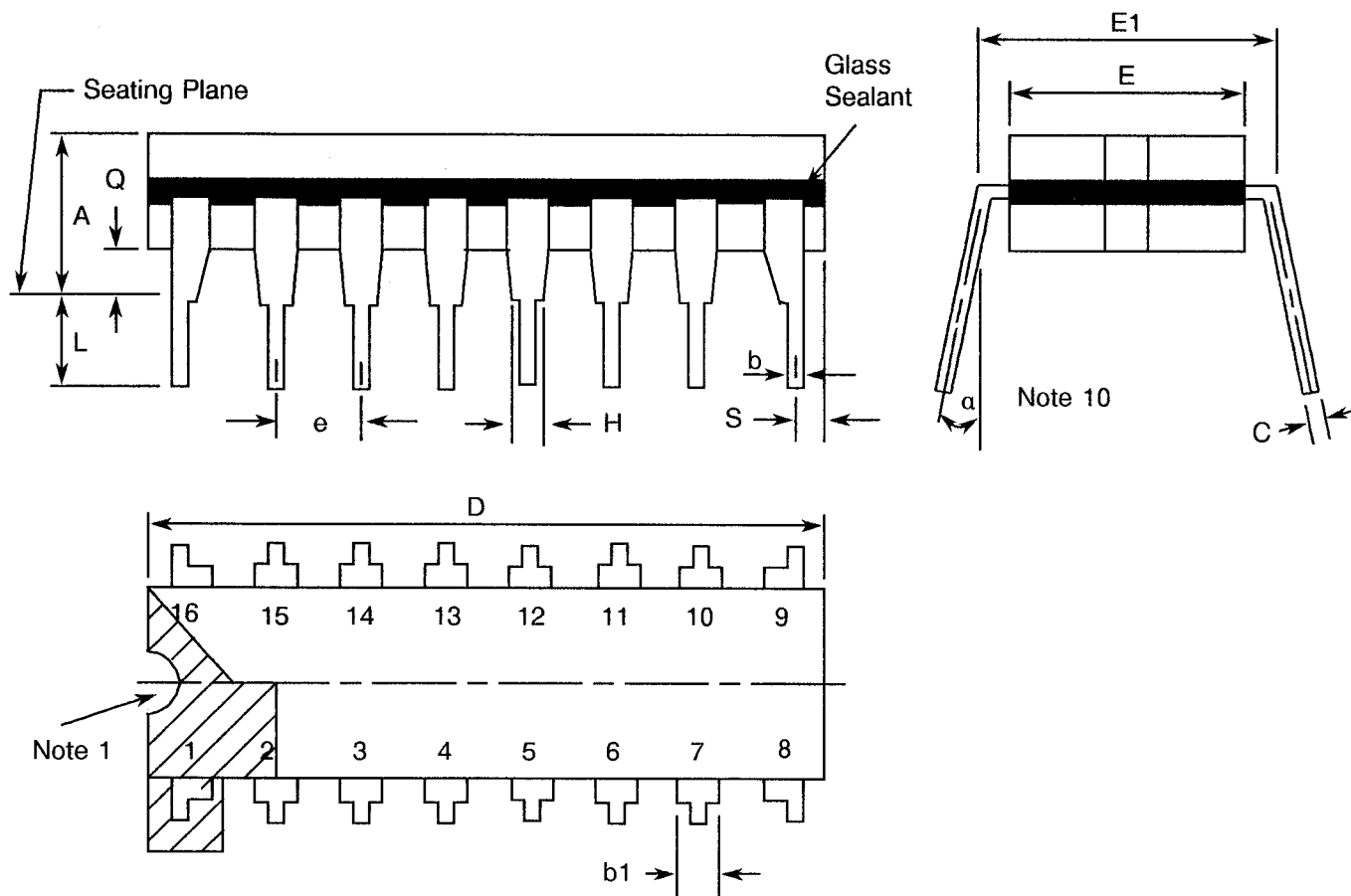
**FIGURE 2(a) - FLAT PACKAGE**



SYMBOL	MILLIMETRES		NOTES
	MIN	MAX	
A	1.27	2.03	
b	0.38	0.56	8
C	0.08	0.23	8
D	9.42	10.16	4
E	6.27	7.24	
E1	7.00 TYPICAL		4
e	1.27 TYPICAL		5, 9
L	7.87	8.89	8
L1	23.88	24.38	
Q	0.51	1.02	2
S	0.25	0.64	7

**NOTES:** See Page 11.



**FIGURE 2 - PHYSICAL DIMENSIONS (CONTINUED)**
**FIGURE 2(b) - DUAL-IN-LINE PACKAGE**


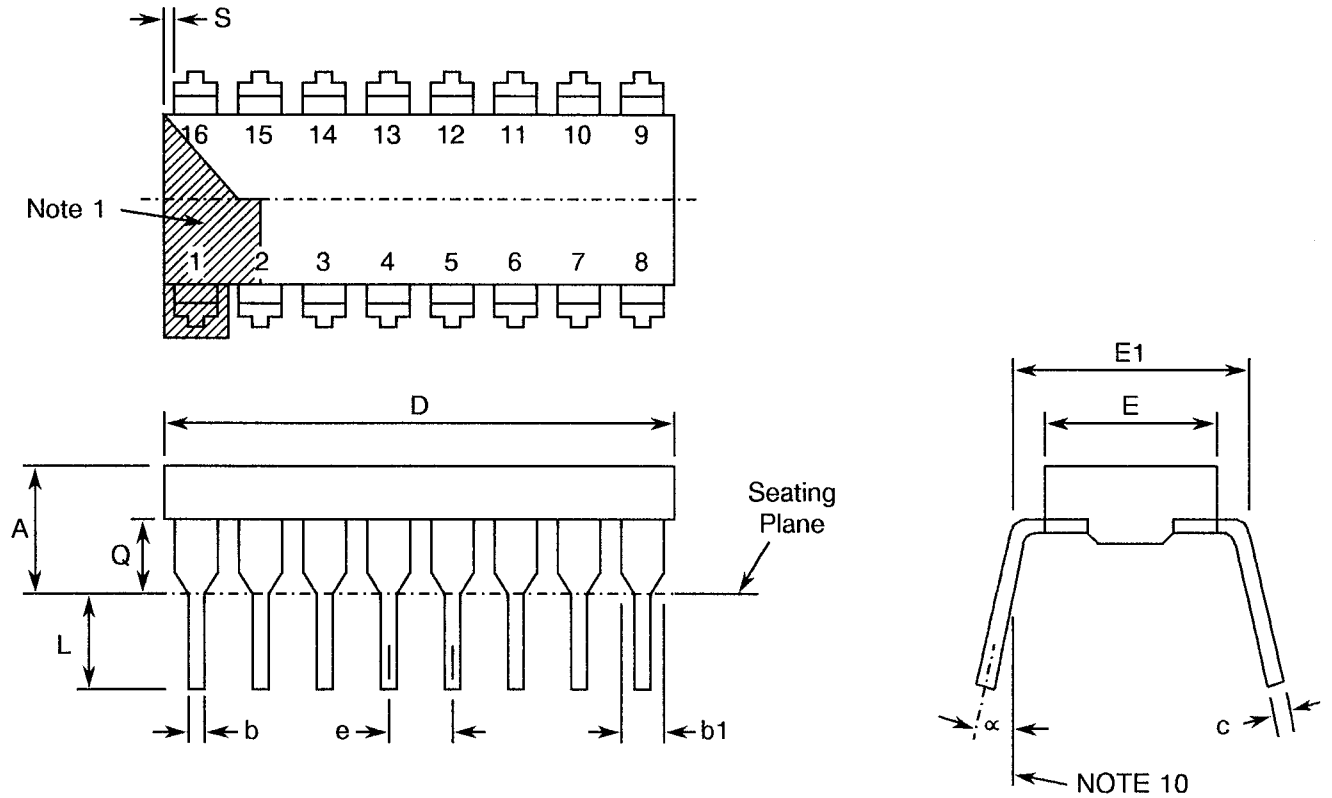
SYMBOL	MILLIMETRES		NOTES
	MIN	MAX	
A	-	5.08	
b	0.38	0.66	8
b1	-	1.78	8
C	0.20	0.44	8
D	19.18	19.94	4
E	6.22	7.62	4
E1	7.37	8.13	
e	2.54 TYPICAL		6, 9
F	1.27 TYPICAL		
H	0.76	-	
L	3.30	5.08	8
Q	0.51	-	3
S	0.38	1.27	7
a	0°	15°	10

**NOTES:** See Page 11.



**FIGURE 2 - PHYSICAL DIMENSIONS (CONTINUED)**

**FIGURE 2(c) - DUAL-IN-LINE PACKAGE**



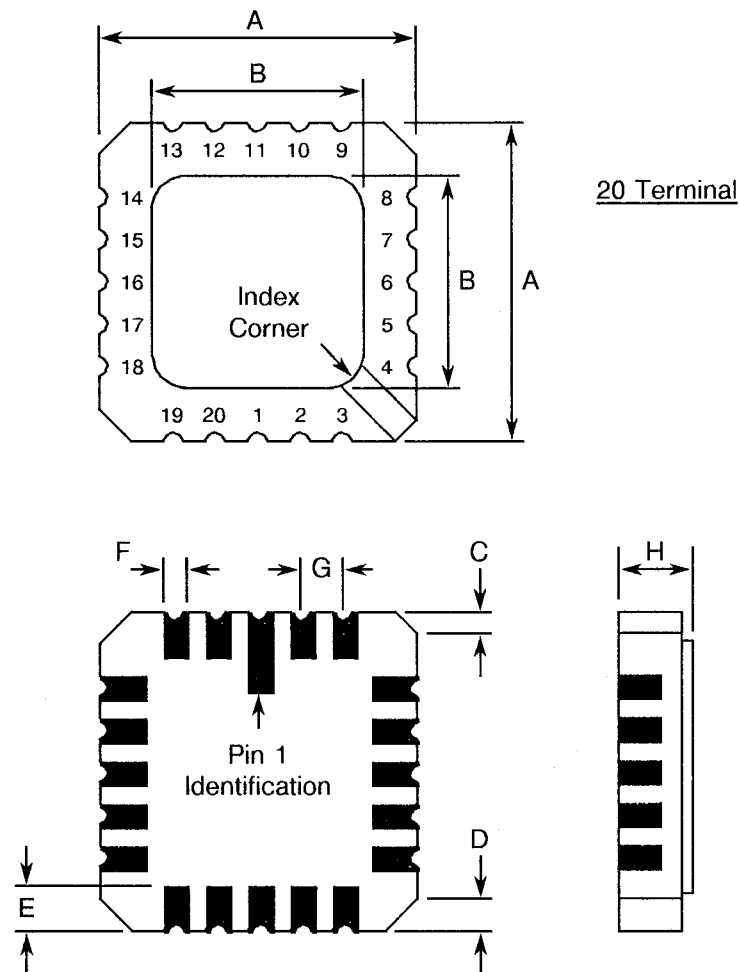
SYMBOL	MILLIMETRES		NOTES
	MIN.	MAX.	
A	-	5.08	-
b	0.36	0.58	8
b1	0.76	1.78	8
c	0.20	0.38	8
D	18.80	22.10	-
E	5.59	7.87	-
E1	7.37	8.13	4
e	2.54 TYPICAL		6, 9
L	3.18	5.08	-
Q	0.38	2.03	3
S	0.25	1.35	7
$\alpha$	0°	15°	10

**NOTES:** See Page 11.





**FIGURE 2 - PHYSICAL DIMENSIONS (CONTINUED)**

**FIGURE 2(d) - SQUARE CHIP CARRIER PACKAGE (3 LAYER BASE)**



SYMBOL	MILLIMETRES		NOTES
	MIN.	MAX.	
A	8.687	9.093	-
B	7.798	9.093	-
C	0.250	0.510	11
D	0.889	1.143	12
E	1.140	1.400	8
F	0.559	0.712	8
G	1.27 TYPICAL		5, 9
H	1.630	2.540	-

**NOTES:** See Page 11.

		<p>ESA/SCC Detail Specification No. 9202/066</p>		<p>PAGE 11 ISSUE 2</p>
--	--	--	--	----------------------------

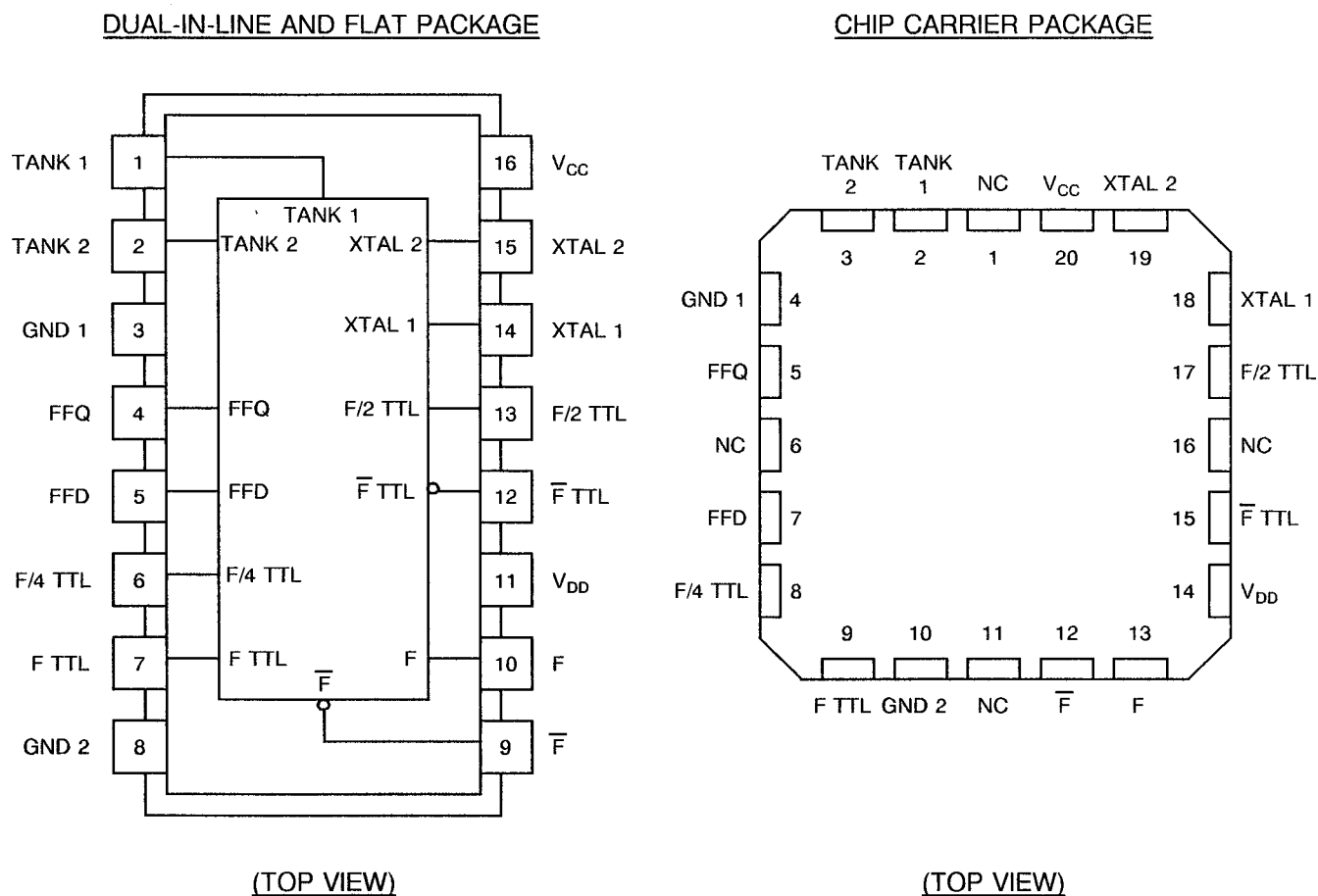
**FIGURE 2 - PHYSICAL DIMENSIONS (CONTINUED)**

**NOTES TO FIGURES 2(a) TO 2(d)**

1. Index area; a notch or a dot shall be located adjacent to Pin 1 and shall be within the shaded area shown. For chip carrier packages, the index shall be as shown in Figure 2(d).
2. Dimension Q shall be measured at the point of exit of the lead from the body.
3. Dimension Q shall be measured from the seating plane to the base plane.
4. This dimension allows for off-centre lids, meniscus and glass overrun.
5. The true position pin spacing is 1.27mm between centrelines. Each pin centreline shall be located within  $\pm 0.13\text{mm}$  of its true longitudinal position relative to Pins 1 and 16.
6. The true position pin spacing is 2.54mm between centrelines. Each pin centreline shall be located within  $\pm 0.25\text{mm}$  of its true longitudinal position relative to Pins 1 and 16.
7. Applies to all four corners.
8. All leads or terminals.
9. 14 spaces for flat and dual-in-line packages.  
16 spaces for chip carrier packages.
10. Lead centre when  $\alpha$  is  $0^\circ$ .
11. Index corner only - 2 dimensions.
12. 3 non-index corners - 6 dimensions.



**FIGURE 3(a) - PIN ASSIGNMENT**



**FLAT PACKAGE AND DUAL-IN-LINE TO CHIP CARRIER PIN ASSIGNMENT**

FLAT PACKAGE AND DUAL-IN-LINE PIN OUTS	1	2	3	4	5	6	7	8	9	10	11	12	13	14	15	16
CHIP CARRIER PIN OUTS	2	3	4	5	7	8	9	10	12	13	14	15	17	18	19	20

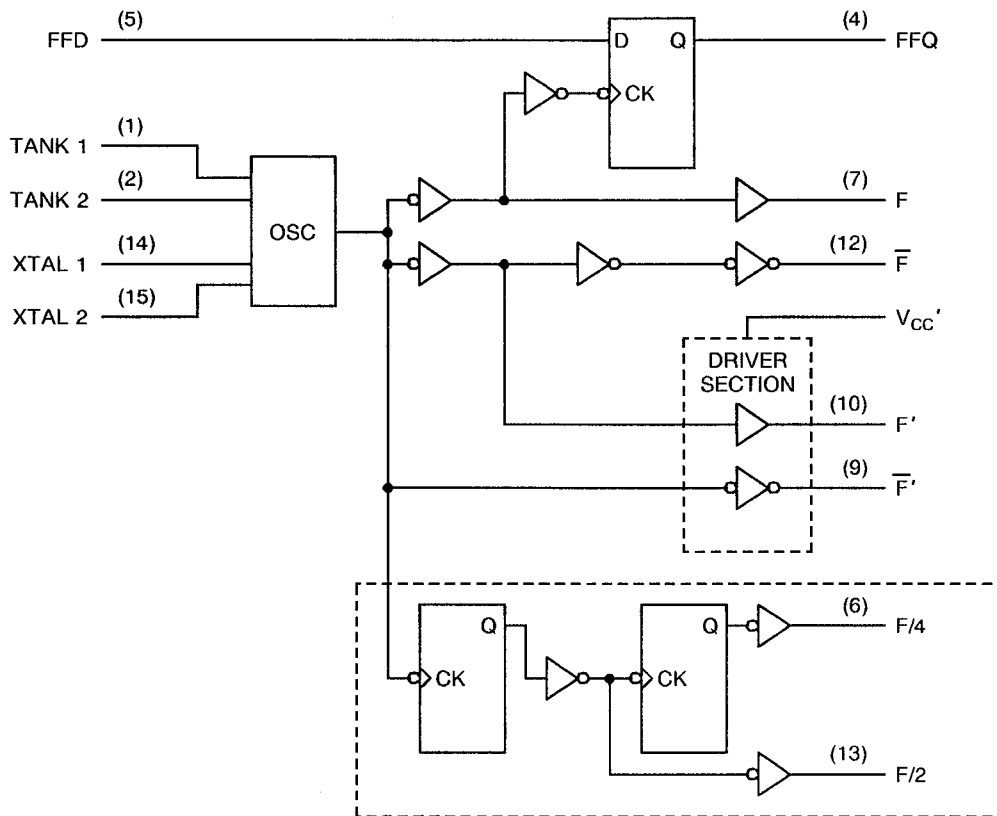
**NOTES**

- All references throughout this specification relate to FLAT/DIL packages only.

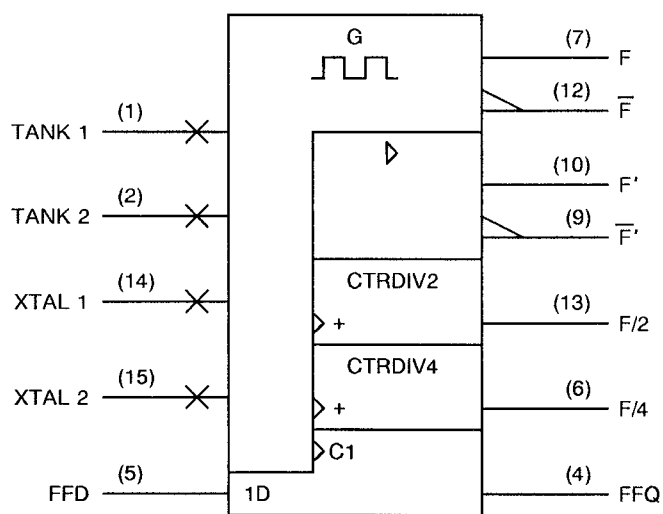
**FIGURE 3(b) - TRUTH TABLE**

Not applicable

**FIGURE 3(c) - CIRCUIT SCHEMATIC**



**FIGURE 3(d) - FUNCTIONAL DIAGRAM**



**2. APPLICABLE DOCUMENTS**

The following documents form part of this specification and shall be read in conjunction with it:-

- (a) ESA/SCC Generic Specification No. 9000 for Integrated Circuits.
- (b) MIL-STD-883, Test Methods and Procedures for Micro-electronics.

**3. TERMS, DEFINITIONS, ABBREVIATIONS, SYMBOLS AND UNITS**

For the purpose of this specification, the terms, definitions, abbreviations, symbols and units specified in ESA/SCC Basic Specification No. 21300 shall apply. In addition, the following abbreviations are used:-

- $V_{IC}$  - Input Clamp Voltage.
- $V_{CC}$  - Supply Voltage.

**4. REQUIREMENTS****4.1 GENERAL**

The complete requirements for procurement of the integrated circuits specified herein are stated in this specification and ESA/SCC Generic Specification No. 9000 for Integrated Circuits. Deviations from the Generic Specification applicable to this specification only, are listed in Para. 4.2.

Deviations from the applicable Generic Specification and this Detail Specification, formally agreed with specific Manufacturers on the basis that the alternative requirements are equivalent to the ESA/SCC requirements and do not affect the components' reliability, are listed in the appendices attached to this specification.

**4.2 DEVIATIONS FROM GENERIC SPECIFICATION****4.2.1 Deviations from Special In-process Controls**

None.

**4.2.2 Deviations from Final Production Tests (Chart II)**

None.

**4.2.3 Deviations from Burn-in Tests (Chart III)**

(a) Para. 7.1.1(a), High Temperature Reverse Bias tests and subsequent electrical measurements related to this test shall be omitted.

(b) Para. 9.9.2, Electrical Measurements at High and Low Temperatures: Only a test result summary, based on go-no-go tests and presented in histogram form is required.

**4.2.4 Deviations from Qualification Tests (Chart IV)**

None.

**4.2.5 Deviations from Lot Acceptance Tests (Chart V)**

None.



4.3 MECHANICAL REQUIREMENTS

4.3.1 Dimension Check

The dimensions of the integrated circuits specified herein shall be checked. They shall conform to those shown in Figure 2.

4.3.2 Weight

The maximum weight of the integrated circuits specified herein shall be 0.7 grammes for the flat package, 2.2 grammes for the dual-in-line package and 0.6 grammes for the chip carrier package.

4.4 MATERIALS AND FINISHES

The materials and finishes shall be as specified herein. Where a definite material is not specified, a material which will enable the integrated circuits specified herein to meet the performance requirements of this specification shall be used. Acceptance or approval of any constituent material does not guarantee acceptance of the finished product.

4.4.1 Case

The case shall be hermetically sealed and have a metal body with hard glass seals or a ceramic body and the lids shall be welded, brazed, preform-soldered or glass frit-sealed.

4.4.2 Lead Material and Finish

For dual-in-line and flat packages, the material shall be either Type 'D' or Type 'G' with either Type '3 or 4', Type '4' or Type '7' finish in accordance with the requirements of ESA/SCC Basic Specification No. 23500. For chip carrier packages, the finish shall be either Type '4' or Type '7' in accordance with the requirements of ESA/SCC Basic Specification No. 23500. (See Table 1(a) for Type Variants).

4.5 MARKING

4.5.1 General

The marking of all components delivered to this specification shall be in accordance with the requirements of ESA/SCC Basic Specification No. 21700. Each component shall be marked in respect of:-

- (a) Lead Identification.
- (b) The SCC Component Number.
- (c) Traceability Information.

4.5.2 Lead Identification

For dual-in-line and flat packages, an index shall be located at the top of the package in the position defined in Note 1 to Figure 2 or, alternatively, a tab may be used to identify Pin No. 1. The pin numbering must be read with the index or tab on the left-hand side. For chip carrier packages, the index shall be as defined by Figure 2(d).

4.5.3 The SCC Component Number

Each component shall bear the SCC Component Number which shall be constituted and marked as follows:

920206602B

Detail Specification Number \_\_\_\_\_

Type Variant (see Table 1(a)) \_\_\_\_\_

Testing Level (B or C, as applicable) \_\_\_\_\_





#### 4.5.4 Traceability Information

Each component shall be marked in respect of traceability information in accordance with the requirements of ESA/SCC Basic Specification No. 21700.

#### 4.6 ELECTRICAL MEASUREMENTS

##### 4.6.1 Electrical Measurements at Room Temperature

The parameters to be measured in respect of electrical characteristics are scheduled in Table 2. Unless otherwise specified, the measurements shall be performed at  $T_{amb} = +22 \pm 3$  °C.

##### 4.6.2 Electrical Measurements at High and Low Temperatures

The parameters to be measured at high and low temperatures are scheduled in Table 3. The measurements shall be performed at  $T_{amb} = +125$  and  $-55$  °C respectively.

##### 4.6.3 Circuits for Electrical Measurements

Circuits for use in performing the electrical measurements listed in Tables 2 and 3 of this specification are shown in Figure 4.

#### 4.7 BURN-IN TESTS

##### 4.7.1 Parameter Drift Values

The parameter drift values applicable to burn-in are specified in Table 4 of this specification. Unless otherwise stated, measurements shall be performed at  $T_{amb} = +22 \pm 3$  °C. The parameter drift values ( $\Delta$ ) applicable to the parameters scheduled, shall not be exceeded. In addition to these drift value requirements, the appropriate limit value specified for a given parameter in Table 2 shall not be exceeded.

##### 4.7.2 Conditions for Power Burn-in

The requirements for power burn-in are specified in Section 7 of ESA/SCC Generic Specification No. 9000. The conditions for power burn-in shall be as specified in Table 5 of this specification.

##### 4.7.3 Electrical Circuits for Power Burn-in

Circuits for use in performing the power burn-in tests are shown in Figure 5 of this specification.



**TABLE 2 - ELECTRICAL MEASUREMENTS AT ROOM TEMPERATURE - D.C. PARAMETERS**

No.	CHARACTERISTICS	SYMBOL	TEST METHOD MIL-STD 883	TEST FIG.	TEST CONDITIONS (PINS UNDER TEST)	LIMITS		UNIT
						MIN	MAX	
1	Functional Test	-	-	3(b)	Verify Truth Table with Load. Note 1 $V_{CC} = 5.0V$	-	-	-
2	Input Current High Level 1	$I_{IH1}$	3010	4(a)	$V_{CC} = 5.5V$ , $V_{IN} = 2.7V$ (Pin 5)	-	20	$\mu A$
3	Input Current High Level 2 (Max. Input Voltage)	$I_{IH2}$	3010	4(a)	$V_{CC} = 5.5V$ , $V_{IN} = 7.0V$ (Pin 5)	-	100	$\mu A$
4 to 6	Input Clamp Voltage	$V_{IC}$	3009	4(b)	$V_{CC} = 4.5V$ , $V_{CC}' = 4.5V$ $I_{IN} = -18mA$ Notes 2 and 6 (Pins 1-2-5)	-	-1.5	V
7	Input Current Low Level	$I_{IL}$	3009	4(c)	$V_{CC} = 5.5V$ , $V_{IN} = 0.4V$ (Pin 5)	-	-400	$\mu A$
8 to 9	Output Voltage Low Level 1, Driver Outputs	$V_{OL1}$	3007	4(d)	$V_{CC} = 4.5V$ , $V_{CC}' = 4.5V$ $V_{IL} = 0.7V$ , $I_{OL} = 12mA$ (Pins 9-10)	-	0.4	V
10 to 14	Output Voltage Low Level 2, Other Outputs	$V_{OL2}$	3007	4(d)	$V_{CC} = 4.5V$ , $V_{IL} = 0.7V$ $I_{OL} = 4.0mA$ (Pins 4-6-7-12-13)	-	0.4	V
15 to 16	Output Voltage High Level 1, Driver Outputs	$V_{OH1}$	3006	4(e)	$V_{CC} = 4.5V$ , $V_{CC}' = 4.5V$ $V_{IH} = 2.0V$ , $I_{OH} = -12mA$ (Pins 9-10)	2.5	-	V
17 to 21	Output Voltage High Level 2, Other Outputs	$V_{OH2}$	3006	4(e)	$V_{CC} = 4.5V$ , $V_{IH} = 2.0V$ $I_{OH} = -400\mu A$ (Pins 4-6-7-12-13)	2.5	-	V
22 to 26	Output Current Short Circuit	$I_{OS}$	3011	4(f)	$V_{CC} = 5.5V$ Note 3 (Pins 4-6-7-12-13)	-20	-100	mA
27	Supply Current from $V_{CC}$	$I_{CC1}$	3005	4(g)	$V_{CC} = 5.5V$ FFD to Ground. (Pin 16)	-	75	mA
28	Supply Current from $V_{CC}'$	$I_{CC2}$	3005	4(g)	$V_{CC} = 5.5V$ , $V_{CC}' = 5.5V$ FFD to Ground (Pin 11)	-	8.0	mA

**NOTES:** See Page 18.

**TABLE 2 - ELECTRICAL MEASUREMENTS AT ROOM TEMPERATURE - A.C. PARAMETERS**

No.	CHARACTERISTICS	SYMBOL	TEST METHOD MIL-STD 883	TEST FIG.	TEST CONDITIONS (PINS UNDER TEST)	LIMITS		UNIT
						MIN	MAX	
29	Max. Operating Frequency, F/2	$F_{max1}$	-	4(h)	$C_L = 100\text{pF}$ Note 5 (Pin 13)	10	-	MHz
30	Max. Operating Frequency, F/4	$F_{max2}$	-	4(h)	$C_L = 100\text{pF}$ Note 5 (Pin 6)	5.0	-	MHz
31 to 33	Max. Operating Frequency, All Others	$F_{max3}$	-	4(h)	$C_L = 100\text{pF}$ Note 5 (Pins 4-7-12)	20	-	MHz
34 to 39	Rise Time to 1V to 3V, Driver Outputs	$t_{r1}$	-	4(i)	$C_L = 50\text{pF}$ $C_L = 100\text{pF}$ $C_L = 200\text{pF}$ Note 4 (Pins 9-10)	-	12 14 14	ns
40 to 54	Rise Time to 1V to 3V, Driver Outputs	$t_{r2}$	-	4(i)	$C_L = 50\text{pF}$ $C_L = 100\text{pF}$ $C_L = 200\text{pF}$ Note 4 (Pins 4-6-7-12-13)	-	22 40 70	ns
55 to 60	Fall Time to 3V to 1V, Driver Outputs	$t_{f1}$	-	4(i)	$C_L = 50\text{pF}$ $C_L = 100\text{pF}$ $C_L = 200\text{pF}$ Note 4 (Pins 9-10)	-	10 10 12	ns
61 to 75	Fall Time to 3V to 1V, Other Outputs	$t_{f2}$	-	4(i)	$C_L = 50\text{pF}$ $C_L = 100\text{pF}$ $C_L = 200\text{pF}$ Note 4 (Pins 4-6-7-12-13)	-	12 20 30	ns

**NOTES**

- Go-no-go test with  $V_{IL} = 0.3\text{V}$ ;  $V_{IH} = 3.0\text{V}$ ; trip point 1.5V.  
Verification of oscillator function shall be performed.
- All inputs and outputs not under test shall be open.
- No more than one output should be shorted at a time, and only for 1 second maximum.
- a.c. Measurements shall be performed as go-no-go tests on a 100% basis. Read-and-record measurements shall be performed on an LTPD7 sample basis following the Chart III Burn-in Test.
- Tested go-no-go on a 100% basis.
- When Pin 1 is tested, Pin 2 is grounded.  
When Pin 2 is tested, Pin 1 is grounded.



**TABLE 3 - ELECTRICAL MEASUREMENTS AT HIGH AND LOW TEMPERATURES,  
+ 125(+0 - 5) °C AND - 55(+5 - 0) °C**

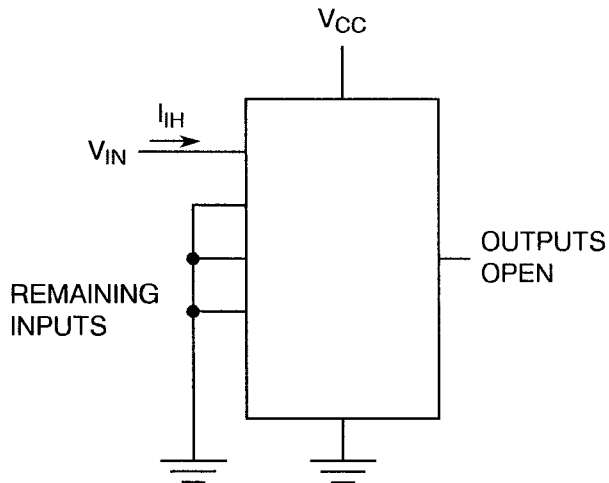
No.	CHARACTERISTICS	SYMBOL	TEST METHOD MIL-STD 883	TEST FIG.	TEST CONDITIONS (PINS UNDER TEST)	LIMITS		UNIT
						MIN	MAX	
1	Functional Test	-	-	3(b)	Verify Truth Table with Load. Note 1 $V_{CC} = 5.0V$	-	-	-
2	Input Current High Level 1	$I_{IH1}$	3010	4(a)	$V_{CC} = 5.5V$ , $V_{IN} = 2.7V$ (Pin 5)	-	20	$\mu A$
3	Input Current High Level 2 (Max. Input Voltage)	$I_{IH2}$	3010	4(a)	$V_{CC} = 5.5V$ , $V_{IN} = 7.0V$ (Pin 5)	-	100	$\mu A$
4 to 6	Input Clamp Voltage	$V_{IC}$	3009	4(b)	$V_{CC} = 4.5V$ , $V_{CC}' = 4.5V$ $I_{IN} = -18mA$ Notes 2 and 6 (Pins 1-2-5)	-	-1.5	V
7	Input Current Low Level	$I_{IL}$	3009	4(c)	$V_{CC} = 5.5V$ , $V_{IN} = 0.4V$ (Pin 5)	-	-400	$\mu A$
8 to 9	Output Voltage Low Level 1, Drive Outputs	$V_{OL1}$	3007	4(d)	$V_{CC} = 4.5V$ , $V_{CC}' = 4.5V$ $V_{IL} = 0.7V$ , $I_{OL} = 12mA$ (Pins 9-10)	-	0.4	V
10 to 14	Output Voltage Low Level 2, Other Outputs	$V_{OL2}$	3007	4(d)	$V_{CC} = 4.5V$ , $V_{IL} = 0.7V$ $I_{OL} = 4.0mA$ (Pins 4-6-7-12-13)	-	0.4	V
15 to 16	Output Voltage High Level 1, Drive Outputs	$V_{OH1}$	3006	4(e)	$V_{CC} = 4.5V$ , $V_{CC}' = 4.5V$ $V_{IH} = 2.0V$ , $I_{OH} = -12mA$ (Pins 9-10)	2.5	-	V
17 to 21	Output Voltage High Level 2, Other Outputs	$V_{OH2}$	3006	4(e)	$V_{CC} = 4.5V$ , $V_{IH} = 2.0V$ $I_{OH} = -400\mu A$ (Pins 4-6-7-12-13)	2.5	-	V
22 to 26	Output Current Short Circuit	$I_{OS}$	3011	4(f)	$V_{CC} = 5.5V$ Note 3 (Pins 4-6-7-12-13)	-20	-100	mA
27	Supply Current from $V_{CC}$	$I_{CC1}$	3005	4(g)	$V_{CC} = 5.5V$ FFD to Ground. (Pin 16)	-	75	mA
28	Supply Current from $V_{CC}'$	$I_{CC2}$	3005	4(g)	$V_{CC} = 5.5V$ , $V_{CC}' = 5.5V$ FFD to Ground (Pin 11)	-	8.0	mA

**NOTES:** See Page 18.



**FIGURE 4 - CIRCUITS FOR ELECTRICAL MEASUREMENTS**

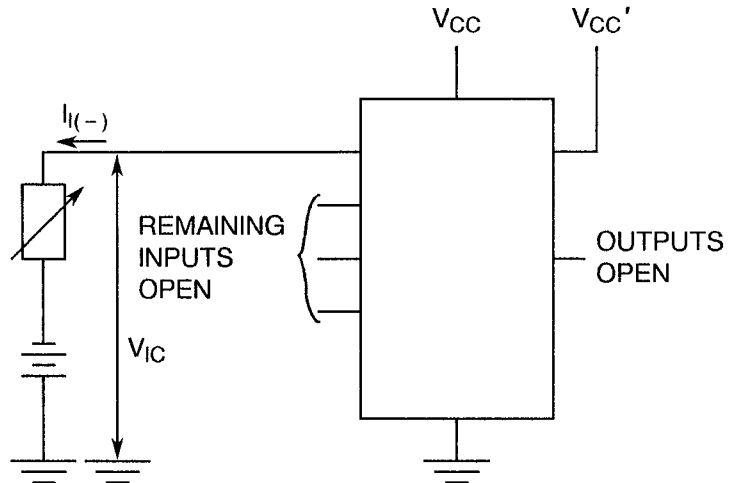
FIGURE 4(a) - HIGH LEVEL INPUT CURRENT



**NOTES**

1. Each input to be tested separately.

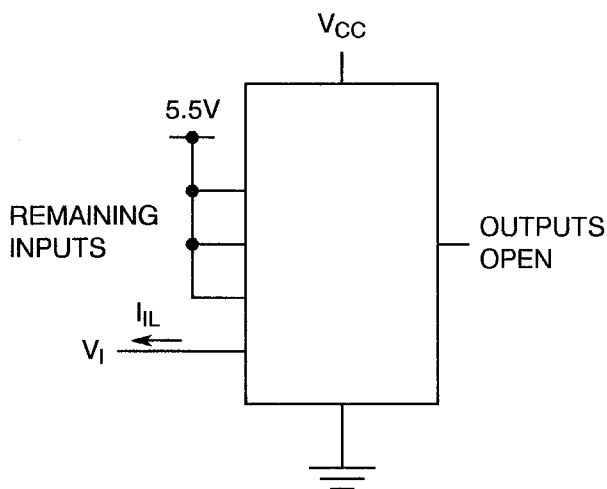
FIGURE 4(b) - INPUT CLAMP VOLTAGE



**NOTES**

1. Each input to be tested separately.

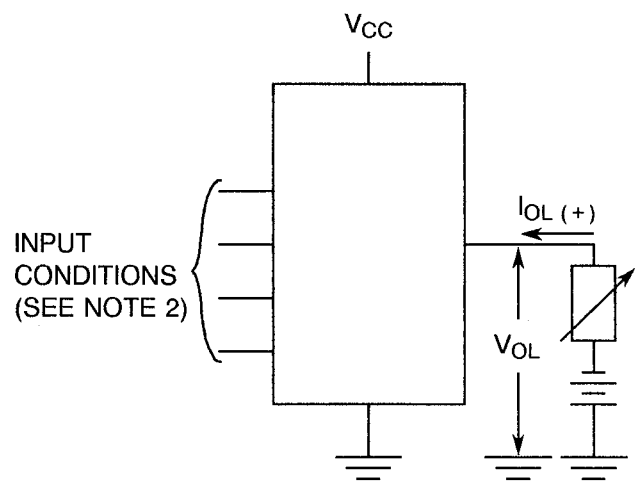
FIGURE 4(c) - LOW LEVEL INPUT CURRENT



**NOTES**

1. Each input to be tested separately.

FIGURE 4(d) - LOW LEVEL OUTPUT VOLTAGE



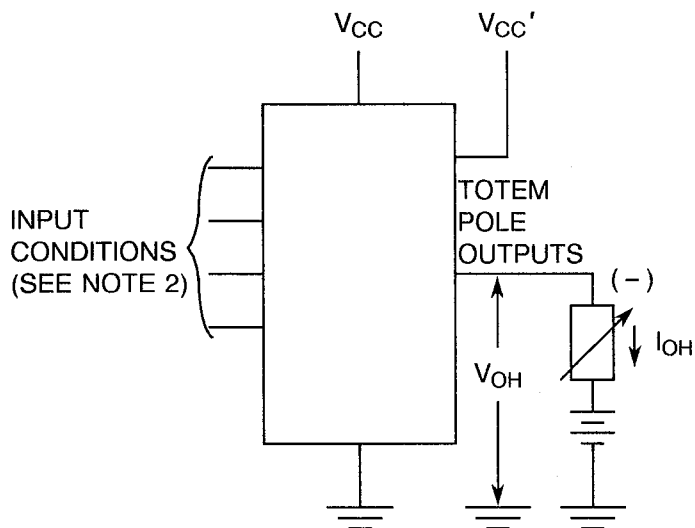
**NOTES**

1. Test each output separately.
2. All inputs at either  $V_{IHmin}$  or  $V_{ILmax}$  to achieve  $V_{OL}$  state.



**FIGURE 4 - CIRCUITS FOR ELECTRICAL MEASUREMENTS (CONTINUED)**

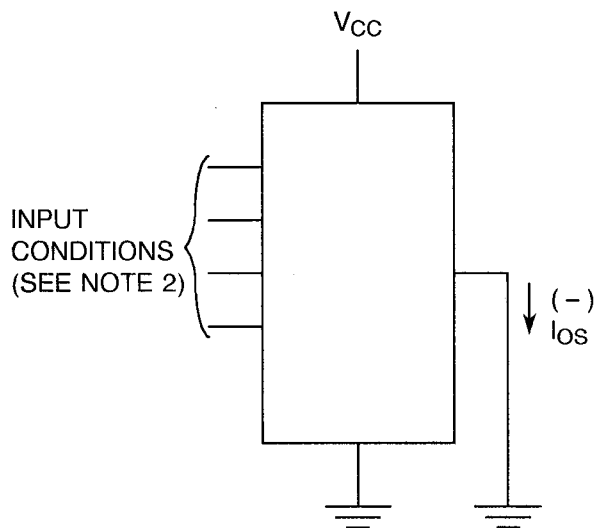
**FIGURE 4(e) - HIGH LEVEL OUTPUT VOLTAGE**



**NOTES**

1. Test each output separately.
2. All inputs at either  $V_{IHmin}$  or  $V_{ILmax}$  to achieve  $V_{OH}$  state.

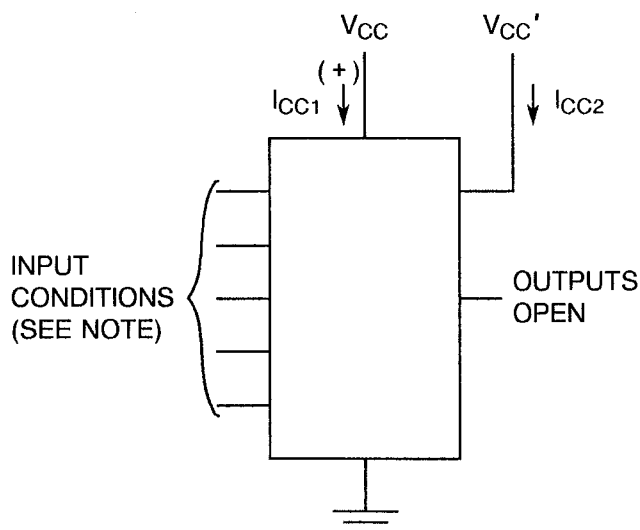
**FIGURE 4(f) - SHORT CIRCUIT OUTPUT CURRENT**



**NOTES**

1. Test each output separately.
2. All inputs at either  $V_{IHmin}$  or  $V_{ILmax}$  to achieve  $V_{OH}$  state.

**FIGURE 4(g) - SUPPLY CURRENT**



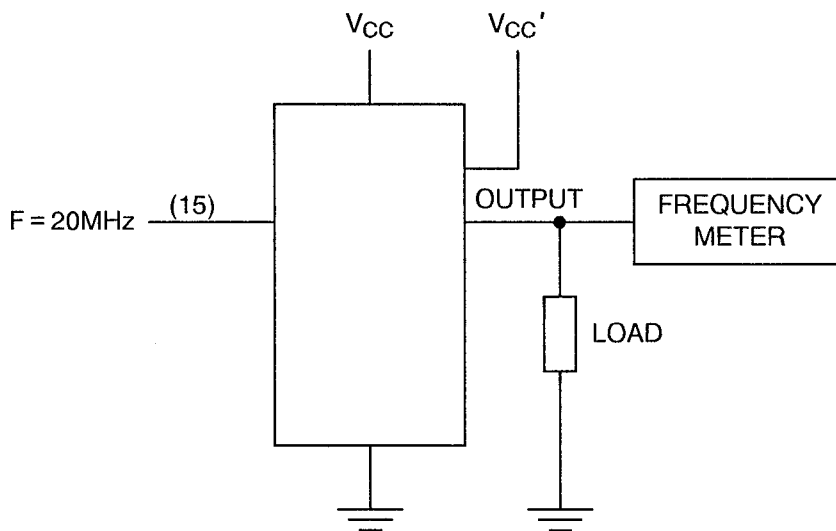
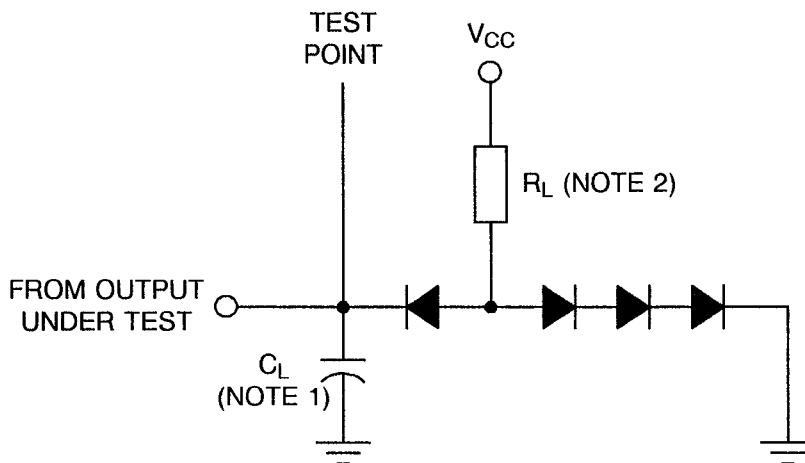
**NOTES**

1. FFD at Ground, all other inputs open.



**FIGURE 4 - CIRCUITS FOR ELECTRICAL MEASUREMENTS (CONTINUED)**

FIGURE 4(h) - MAXIMUM OPERATING FREQUENCY



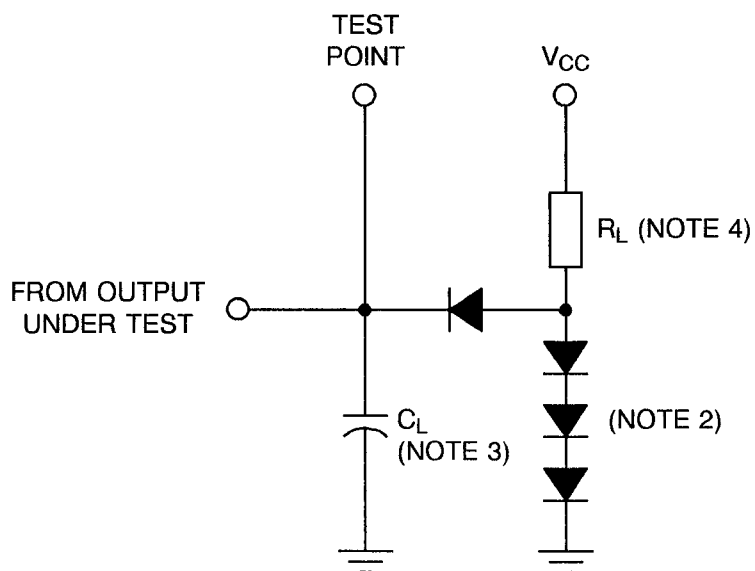
**NOTES**

1.  $C_L = 50\text{pF}$ ,  $100\text{pF}$ ,  $200\text{pF}$  including scope probe, wiring and stray capacitance without package in test fixture.
2. All diodes are 1N916 or 1N3064.  
 $R_L = 2.0\text{k}\Omega$  for Pins 4, 6, 7, 12 and 13.  
 $R_L = 667\Omega$  for Pins 9 and 10.

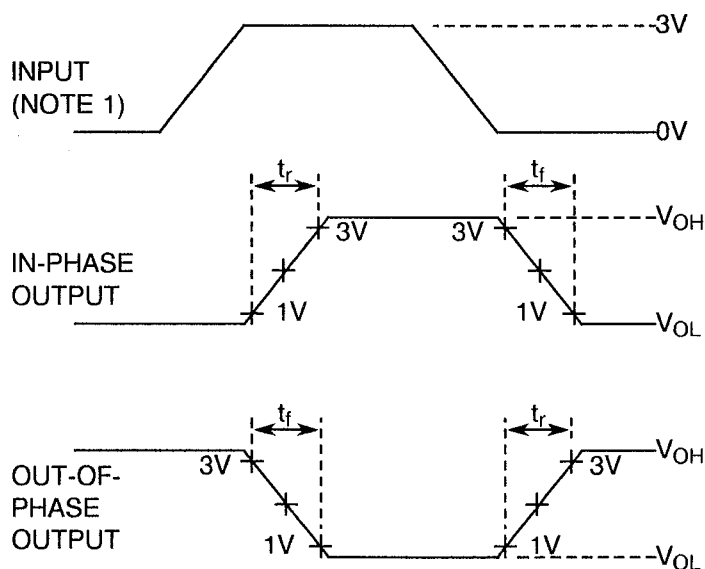


**FIGURE 4 - CIRCUITS FOR ELECTRICAL MEASUREMENTS (CONTINUED)**

**FIGURE 4(i) - DYNAMIC TEST AND SWITCHING WAVEFORMS**



**VOLTAGE WAVEFORMS**



**NOTES**

1. The generator has the following characteristics:  $V_{GEN} = 3.0 \pm 0.2V$ ,  $t_r < 15ns$ ,  $t_f < 6.0ns$ ,  $t_p = 0.5\mu s$ ,  $PRR = 1.0MHz$ ,  $Z_{out} = 50\Omega$ .
2. All diodes are 1N916 or 1N3064.
3.  $C_L = 50pF$ ,  $100pF$ ,  $200pF$  including scope probe, wiring and stray capacitance without package in test fixture.
4.  $R_L = 2.0k\Omega$  for Pins 4, 6, 7, 12 and 13.  
 $R_L = 667\Omega$  for Pins 9 and 10.



**TABLE 4 - PARAMETER DRIFT VALUES**

No.	CHARACTERISTICS	SYMBOL	SPEC. AND/OR TEST METHOD	TEST CONDITIONS	CHANGE LIMITS ( $\Delta$ )	UNIT
2	Input Current High Level 1	$I_{IH1}$	As per Table 2	As per Table 2	$\pm 20$ or (1) $\pm 0.5$	% $\mu A$
7	Input Current Low Level	$I_{IL}$	As per Table 2	As per Table 2	$\pm 18$	$\mu A$
8 to 9	Output Voltage Low Level 1, Driver Outputs	$V_{OL1}$	As per Table 2	As per Table 2	$\pm 60$	mV
10 to 14	Output Voltage Low Level 2, Other Outputs	$V_{OL2}$	As per Table 2	As per Table 2	$\pm 60$	mV
15 to 16	Output Voltage High Level 1, Driver Outputs	$V_{OH1}$	As per Table 2	As per Table 2	$\pm 240$	mV
17 to 21	Output Voltage High Level 2, Other Outputs	$V_{OH2}$	As per Table 2	As per Table 2	$\pm 240$	mV

**NOTES**

1. Whichever is greater, referred to the initial value.

**TABLE 5 - CONDITIONS FOR POWER BURN-IN AND OPERATING LIFE TEST**

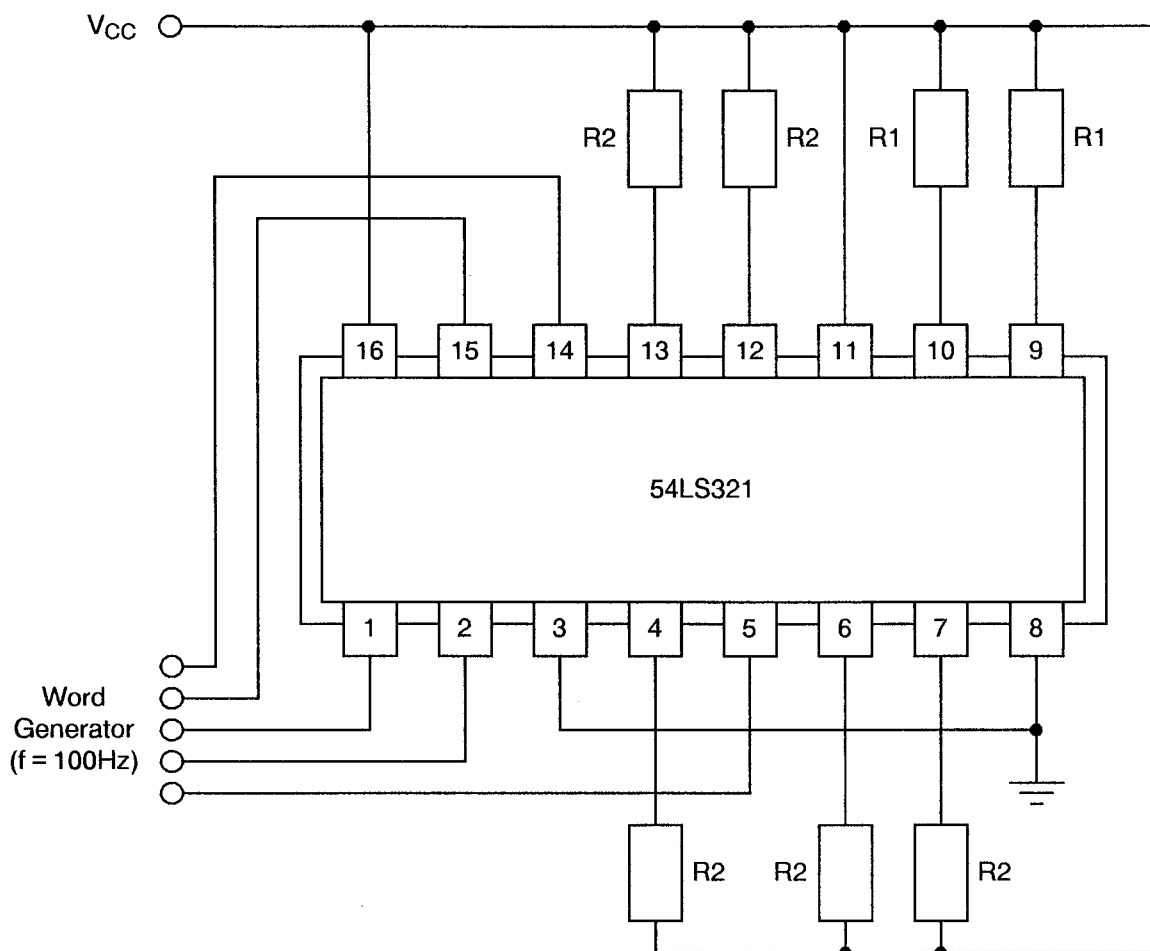
No.	CHARACTERISTICS	SYMBOL	CONDITION	UNIT
1	Ambient Temperature	$T_{amb}$	+ 125(+ 0 - 5)	$^{\circ}C$
2	Power Supply Voltage	$V_{CC}$	+ 5(+ 0.5 - 0)	V
3	Pulse Voltage	$V_{GEN}$	0.5 max. to 3.0 min.	V
4	Frequency	f	100 (See Note 1)	Hz
5	Fan-out	-	10	-
6	Rise Time	$t_r$	50 max.	$\mu s$
7	Fall Time	$t_f$	50 max.	$\mu s$
8	Duty Cycle	-	20 min.	%

**NOTES**

1. Tolerance  $\pm 10\%$ .



**FIGURE 5 - ELECTRICAL CIRCUIT FOR POWER BURN-IN AND OPERATING LIFE TEST**



**NOTES**

1.  $R_1 = 370\Omega$ ,  $R_2 = 1.2k\Omega$ .



- 4.8 ENVIRONMENTAL AND ENDURANCE TESTS (CHARTS IV AND V OF ESA/SCC GENERIC SPECIFICATION NO. 9000)
- 4.8.1 Electrical Measurements on Completion of Environmental Tests  
The parameters to be measured on completion of environmental tests are scheduled in Table 6. Unless otherwise stated, the measurements shall be performed at  $T_{amb} = +22 \pm 3$  °C.
- 4.8.2 Electrical Measurements at Intermediate Points during Endurance Tests  
The parameters to be measured at intermediate points during endurance tests are as scheduled in Table 6 of this specification. Unless otherwise stated, the measurements shall be performed at  $T_{amb} = +22 \pm 3$  °C.
- 4.8.3 Electrical Measurements on Completion of Endurance Tests  
The parameters to be measured on completion of endurance testing are as scheduled in Table 6 of this specification. Unless otherwise stated, the measurements shall be performed at  $T_{amb} = +22 \pm 3$  °C.
- 4.8.4 Conditions for Operating Life Tests  
The requirements for operating life testing are specified in Section 9 of ESA/SCC Generic Specification No. 9000. The conditions for operating life testing shall be as specified in Table 5 of this specification.
- 4.8.5 Electrical Circuits for Operating Life Tests  
Circuits for use in performing the operating life tests are shown in Figure 5.
- 4.8.6 Conditions for High Temperature Storage Test  
The requirements for the high temperature storage test are specified in ESA/SCC Generic Specification No. 9000. The conditions for high temperature storage shall be  $T_{amb} = +150(+0-5)$  °C.



**TABLE 6 - ELECTRICAL MEASUREMENTS ON COMPLETION OF ENVIRONMENTAL TESTS AND AT INTERMEDIATE POINTS AND ON COMPLETION OF ENDURANCE TESTS**

No.	CHARACTERISTICS	SYMBOL	SPEC. AND/OR TEST METHOD	TEST CONDITIONS	CHANGE LIMITS		UNIT
					( $\Delta$ )	ABSOLUTE	
2	Input Current High Level 1	$I_{IH1}$	As per Table 2	As per Table 2	$\pm 1.0$	-	$\mu A$
3	Input Current High Level 2	$I_{IH2}$	As per Table 2	As per Table 2	-	100	$\mu A$
7	Input Current Low Level	$I_{IL}$	As per Table 2	As per Table 2	$\pm 12$	-	$\mu A$
8 to 9	Output Voltage Low Level 1, Driver Outputs	$V_{OL1}$	As per Table 2	As per Table 2	$\pm 60$	-	mV
10 to 14	Output Voltage Low Level 2, Other Outputs	$V_{OL2}$	As per Table 2	As per Table 2	$\pm 60$	-	mV
15 to 16	Output Voltage High Level 1, Driver Outputs	$V_{OH1}$	As per Table 2	As per Table 2	$\pm 240$	-	mV
17 to 21	Output Voltage High Level 2, Other Outputs	$V_{OH2}$	As per Table 2	As per Table 2	$\pm 240$	-	mV
27	Supply Current from $V_{CC}$	$I_{CC1}$	As per Table 2	As per Table 2	$\pm 20$	-	%
28	Supply Current from $V_{CC}'$	$I_{CC2}$	As per Table 2	As per Table 2	$\pm 20$	-	%

**SCC**ESA/SCC Detail Specification  
No. 9202/066

PAGE 28

ISSUE 2

**APPENDIX 'A'**Page 1 of 1**AGREED DEVIATIONS FOR TEXAS INSTRUMENTS (F)**

ITEMS AFFECTED	DESCRIPTION OF DEVIATIONS
Para. 4.2.1	Scanning Electron Microscope (SEM) Inspection may be performed using TIF document TIF 3.61.610.001.
Para. 4.2.2	Prior to Die Shear Test TIF may perform a Radiographic Inspection on the randomly chosen samples to be subjected to this test, using TIF document TIF 50.42-3002.
Para. 4.2.3	Radiographic Inspection may be performed using TIF document TIF 50.42-3002.