



europaean space agency
agence spatiale européenne

Pages 1 to 54

**INTEGRATED CIRCUITS, SILICON MONOLITHIC,
CMOS 8-STAGE STATIC BIDIRECTIONAL
PARALLEL/SERIAL INPUT/OUTPUT BUS REGISTER
WITH 3-STATE OUTPUTS,
BASED ON TYPE 4034B
ESA/SCC Detail Specification No. 9306/025**



**space components
coordination group**



Issue/Rev.	Date	Approved by	
		SCCG Chairman	ESA Director General or his Deputy
Issue 3	April 2001		

**DOCUMENTATION CHANGE NOTICE**

Rev. Letter	Rev. Date	Reference	CHANGE Item	Approved DCR No.
		This Issue supersedes Issue 2 and incorporates all modifications defined in Revisions 'A', 'B' and 'C' to Issue 2 and the changes agreed in the following DCRs:-		
		Cover page		None
		DCN		None
		Para. 1.3	: New sentence added	221602
		Table 1(a)	: Variants 08 and 09 added	221562
		Table 1(b)	: No. 8, Maximum temperature amended	221602
		Figure 2(c)	: In the drawing, Pin No. 28 location corrected	221550
		Figure 2(d)	: New page added	221562
		Notes to Figures	: Title amended	221562
			: Note 1 rewritten	221562
		Figure 3(a)	: Left-hand drawing Title amended	221562
			: "SO" added to comparison Titles	221562
		Para. 4.3.2	: SO package added to the text	221562
		Para. 4.4.2	: SO package added to the text	221562
		Para. 4.5.2	: SO package added to the text	221562
		Para. 4.8.6	: Last sentence deleted, new text added	221602
		Appendix 'A'	: Appendix added	221602

**TABLE OF CONTENTS**

	<u>Page</u>
1. <u>GENERAL</u>	5
1.1 Scope	5
1.2 Component Type Variants	5
1.3 Maximum Ratings	5
1.4 Parameter Derating Information	5
1.5 Physical Dimensions	5
1.6 Pin Assignment	5
1.7 Mode Select Table	5
1.8 Circuit Schematic	5
1.9 Functional Diagram	5
1.10 Handling Precautions	5
1.11 Input Protection Network	5
2. <u>APPLICABLE DOCUMENTS</u>	17
3. <u>TERMS, DEFINITIONS, ABBREVIATIONS, SYMBOLS AND UNITS</u>	17
4. <u>REQUIREMENTS</u>	17
4.1 General	17
4.2 Deviations from Generic Specification	17
4.2.1 Deviations from Special In-process Controls	17
4.2.2 Deviations from Final Production Tests	17
4.2.3 Deviations from Burn-in Tests	17
4.2.4 Deviations from Qualification Tests	17
4.2.5 Deviations from Lot Acceptance Tests	18
4.3 Mechanical Requirements	18
4.3.1 Dimension Check	18
4.3.2 Weight	18
4.4 Materials and Finishes	18
4.4.1 Case	18
4.4.2 Lead Material and Finish	18
4.5 Marking	18
4.5.1 General	18
4.5.2 Lead Identification	18
4.5.3 The SCC Component Number	19
4.5.4 Traceability Information	19
4.6 Electrical Measurements	19
4.6.1 Electrical Measurements at Room Temperature	19
4.6.2 Electrical Measurements at High and Low Temperatures	19
4.6.3 Circuits for Electrical Measurements	19
4.7 Burn-in Tests	19
4.7.1 Parameter Drift Values	19
4.7.2 Conditions for H.T.R.B. and Burn-in	19
4.7.3 Electrical Circuits for H.T.R.B. and Burn-in	19
4.8 Environmental and Endurance Tests	51
4.8.1 Electrical Measurements on Completion of Environmental Tests	51
4.8.2 Electrical Measurements at Intermediate Points during Endurance Tests	51
4.8.3 Electrical Measurements on Completion of Endurance Tests	51
4.8.4 Conditions for Operating Life Test	51
4.8.5 Electrical Circuits for Operating Life Tests	51
4.8.6 Conditions for High Temperature Storage Test	51

		<p style="text-align: center;">ESA/SCC Detail Specification No. 9306/025</p>		<p>PAGE 4 ISSUE 3</p>
--	--	--	--	---------------------------

TABLES

		<u>Page</u>
1(a)	Type Variants	6
1(b)	Maximum Ratings	6
2	Electrical Measurements at Room Temperature, d.c. parameters	20
	Electrical Measurements at Room Temperature, a.c. parameters	25
3(a)	Electrical Measurements at High Temperature	27
3(b)	Electrical Measurements at Low Temperature	32
4	Parameter Drift Values	46
5(a)	Conditions for Burn-in High Temperature Reverse Bias, N-Channels	47
5(b)	Conditions for Burn-in High Temperature Reverse Bias, P-Channels	47
5(c)	Conditions for Burn-in Dynamic	48
6	Electrical Measurements on Completion of Environmental Tests and at Intermediate Points and on Completion of Endurance Testing	52

FIGURES

1	Not applicable	
2	Physical Dimensions	7
3(a)	Pin Assignment	12
3(b)	Mode Select Table	13
3(c)	Circuit Schematic	13
3(d)	Functional Diagram	16
3(e)	Input Protection Network	16
4	Circuits for Electrical Measurements	37
5(a)	Electrical Circuit for Burn-in High Temperature Reverse Bias, N-Channels	49
5(b)	Electrical Circuit for Burn-in High Temperature Reverse Bias, P-Channels	49
5(c)	Electrical Circuit for Burn-in Dynamic	50

APPENDICES (Applicable to specific Manufacturers only)

'A'	Agreed Deviations for STMicroelectronics (F)	54
-----	--	----

**1. GENERAL****1.1 SCOPE**

This specification details the ratings, physical and electrical characteristics, test and inspection data for a silicon monolithic CMOS 8-Stage Static Bidirectional Parallel/Serial Input/Output Bus Register, having fully buffered 3-state outputs, based on Type 4034B. It shall be read in conjunction with ESA/SCC Generic Specification No. 9000, the requirements of which are supplemented herein.

1.2 COMPONENT TYPE VARIANTS

Variants of the basic type integrated circuits specified herein, which are also covered by this specification, are given in Table 1(a).

1.3 MAXIMUM RATINGS

The maximum ratings, which shall not be exceeded at any time during use or storage, applicable to the integrated circuits specified herein, are as scheduled in Table 1(b).

Maximum ratings shall only be exceeded during testing to the extent specified in this specification and when stipulated in Test Methods and Procedures of the applicable ESA/SCC Generic Specification.

1.4 PARAMETER DERATING INFORMATION (FIGURE 1)

Not applicable.

1.5 PHYSICAL DIMENSIONS

As per Figure 2.

1.6 PIN ASSIGNMENT

As per Figure 3(a).

1.7 MODE SELECT TABLE

As per Figure 3(b).

1.8 CIRCUIT SCHEMATIC

As per Figure 3(c).

1.9 FUNCTIONAL DIAGRAM

As per Figure 3(d).

1.10 HANDLING PRECAUTIONS

These devices are susceptible to damage by electrostatic discharge. Therefore, suitable precautions shall be employed for protection during all phases of manufacture, testing, packaging, shipment and any handling. These components are Categorised as Class 1 with a Minimum Critical Path Failure Voltage of 400 Volts.

1.11 INPUT PROTECTION NETWORK

Double diode protection shall be incorporated into each input as shown in Figure 3(e).

**TABLE 1(a) - TYPE VARIANTS**

VARIANT	CASE	FIGURE	LEAD MATERIAL AND/OR FINISH
01	FLAT	2(a)	G2 or G8
02	FLAT	2(a)	G4
03	D.I.L.	2(b)	G2 or G8
04	D.I.L.	2(b)	G4
07	CHIP CARRIER	2(c)	2
08	SO CERAMIC	2(d)	G2
09	SO CERAMIC	2(d)	G4

TABLE 1(b) - MAXIMUM RATINGS

NO.	CHARACTERISTICS	SYMBOL	MAXIMUM RATINGS	UNIT	REMARKS
1	Supply Voltage	V_{DD}	-0.5 to +18	V	Note 1
2	Input Voltage	V_{IN}	-0.5 to $V_{DD} + 0.5$	V	Note 2 Power on
3	D.C. Input Current	$\pm I_{IN}$	10	mA	-
4	D.C. Output Current	$\pm I_O$	10	mA	Note 3
5	Device Dissipation	P_D	200	mW	Per Package
6	Output Dissipation	P_{DSO}	100	mW	Note 4
7	Operating Temperature Range	T_{op}	-55 to +125	°C	-
8	Storage Temperature Range	T_{stg}	-65 to +150	°C	-
9	Soldering Temperature For FP and DIP For CCP	T_{sol}	+300 +245	°C	Note 5 Note 6

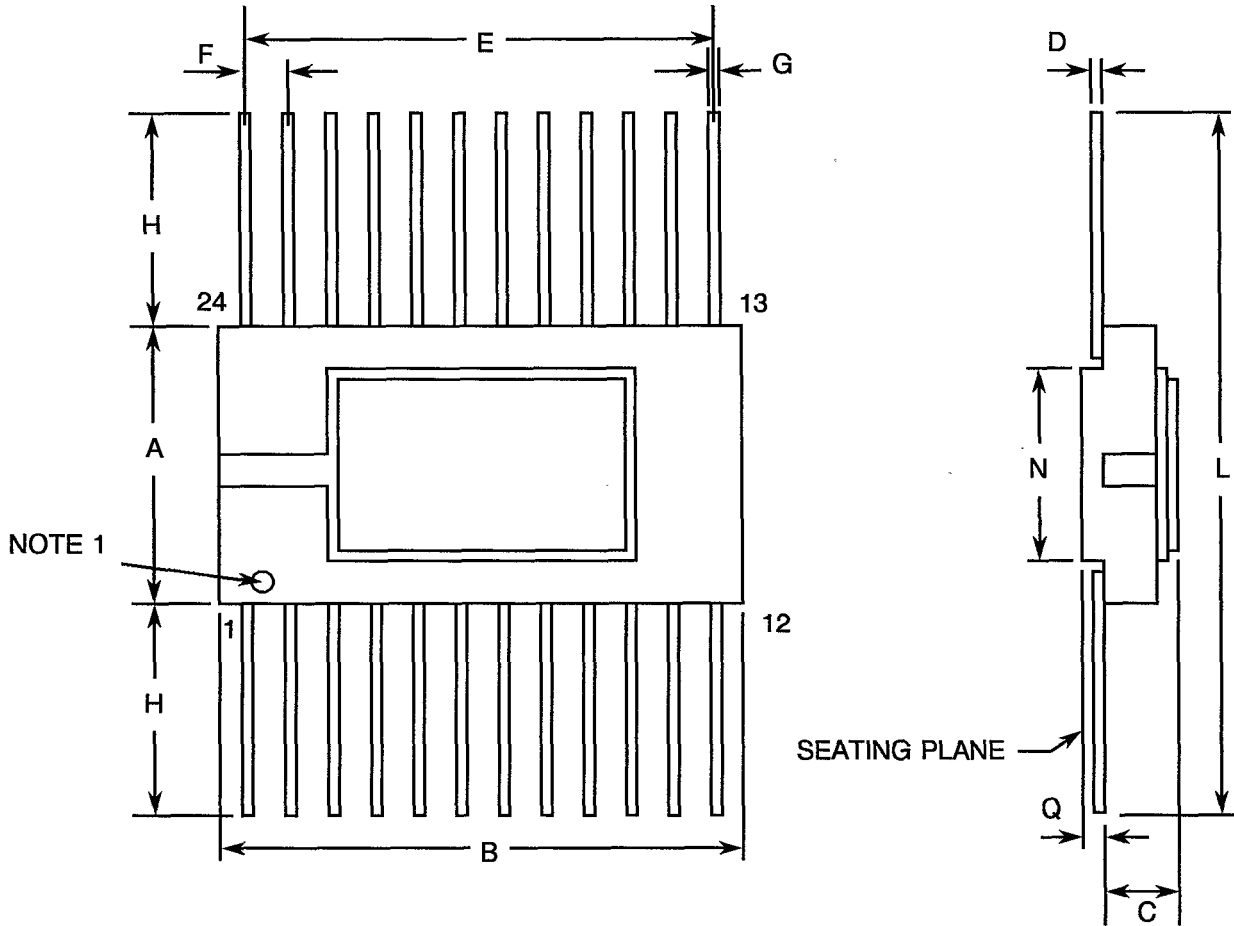
NOTES

- Device is functional from +3V to +15V with reference to V_{SS} .
- $V_{DD} + 0.5V$ should not exceed +18V.
- The maximum output current of any single output.
- The maximum power dissipation of any single output.
- Duration 10 seconds maximum at a distance of not less than 1.5mm from the device body and the same lead shall not be resoldered until 3 minutes have elapsed.
- Duration 30 seconds maximum and the same terminal shall not be resoldered until 3 minutes have elapsed.



FIGURE 2- PHYSICAL DIMENSIONS

FIGURE 2(a) - FLAT PACKAGE, 24-PIN



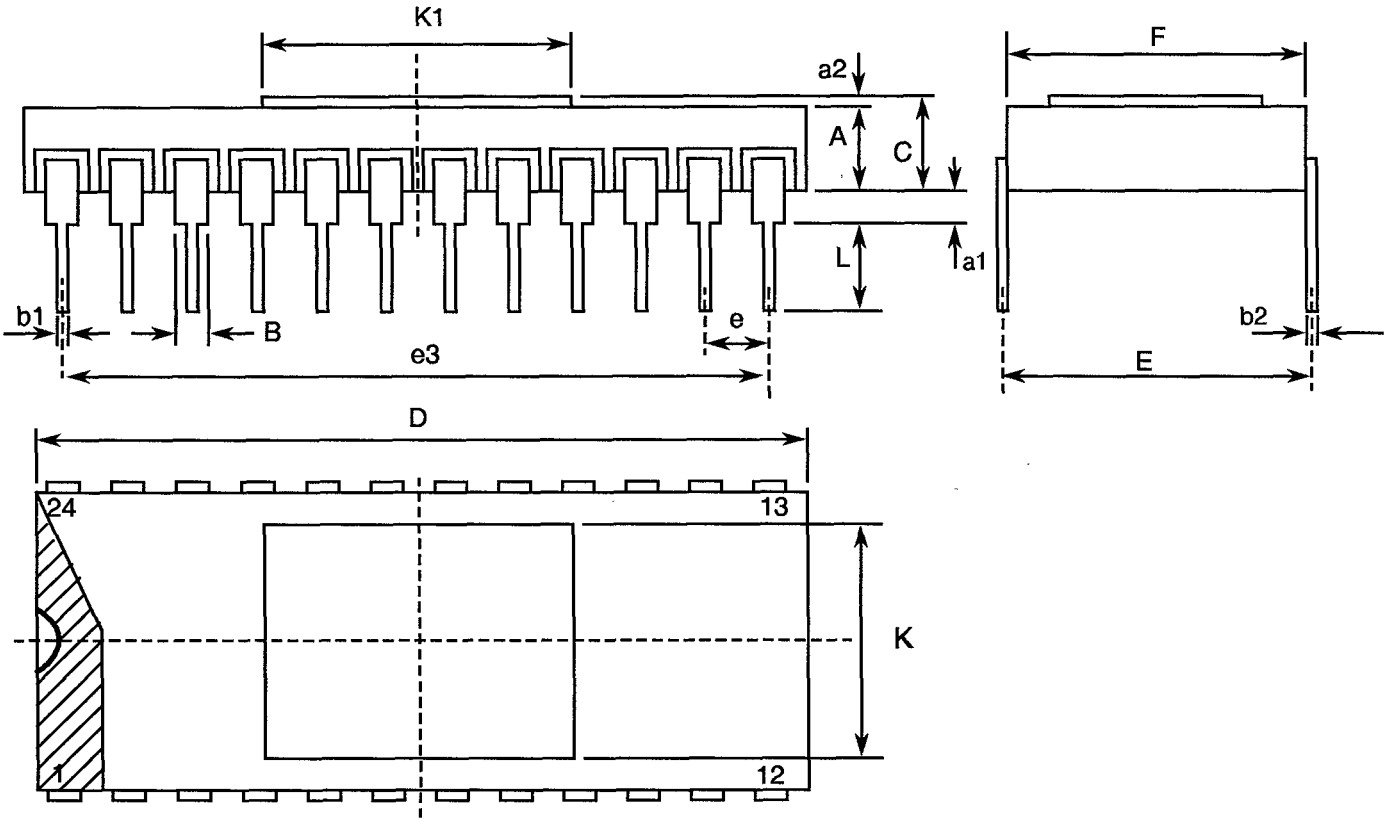
SYMBOL	MILLIMETRES		NOTES
	MIN	MAX	
A	10.70	11.30	
B	15.30	15.70	
C	1.45	1.90	
D	0.23	0.30	
E	13.84	14.10	
F	1.22	1.32	4
G	0.45	0.55	3
H	7.25	8.25	
L	25.00	28.00	
N	7.00	TYPICAL	
Q	0.45	0.55	2

NOTES: See Page 11.



FIGURE 2 - PHYSICAL DIMENSIONS (CONTINUED)

FIGURE 2(b) - DUAL-IN-LINE PACKAGE, 24-PIN



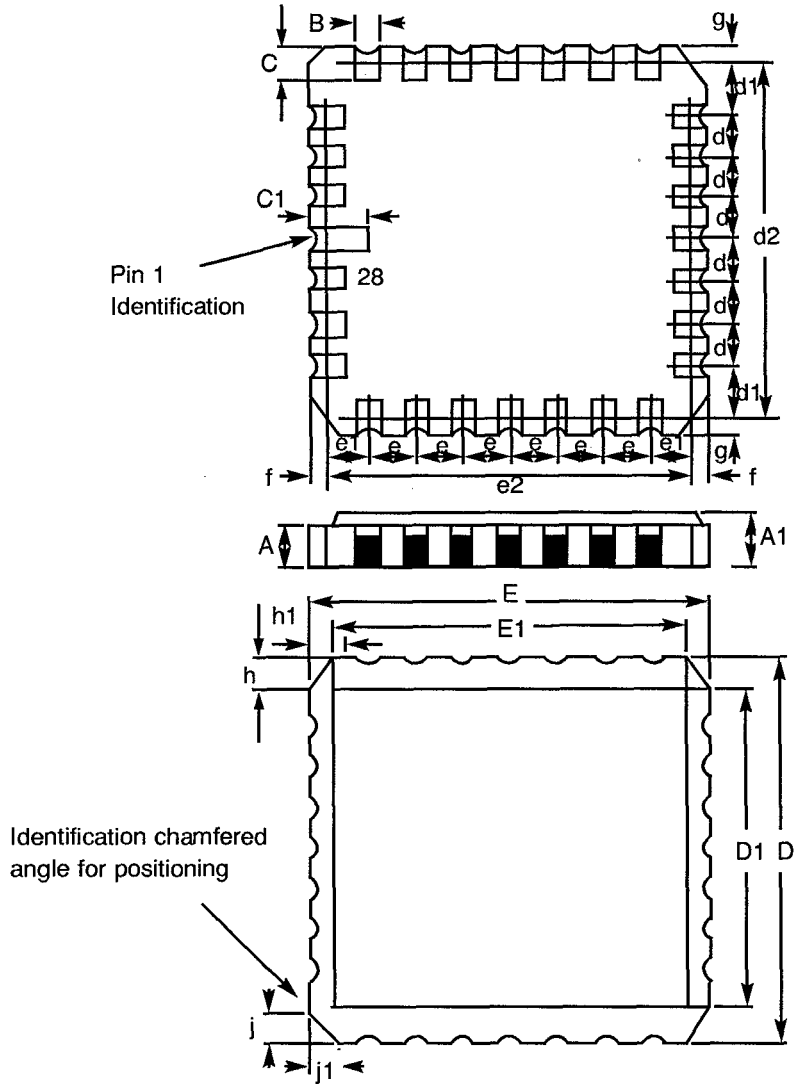
SYMBOL	MILLIMETRES		NOTES
	MIN	MAX	
A	1.931	2.387	
a ₁	1.016	1.524	2
a ₂	0.274	0.340	
B	1.274	TYPICAL	3
b ₁	0.407	0.507	3
b ₂	0.229	0.304	3
C	2.205	2.727	
D	30.176	30.784	
E	14.986	15.494	
e	2.413	2.667	4
e ₃	27.813	28.067	
F	14.859	15.367	
L	3.000	3.800	
K	12.600	13.000	
k ₁	12.600	13.000	

NOTES: See Page 11.



FIGURE 2 - PHYSICAL DIMENSIONS (CONTINUED)

FIGURE 2(c) - CHIP CARRIER - 28-TERMINAL



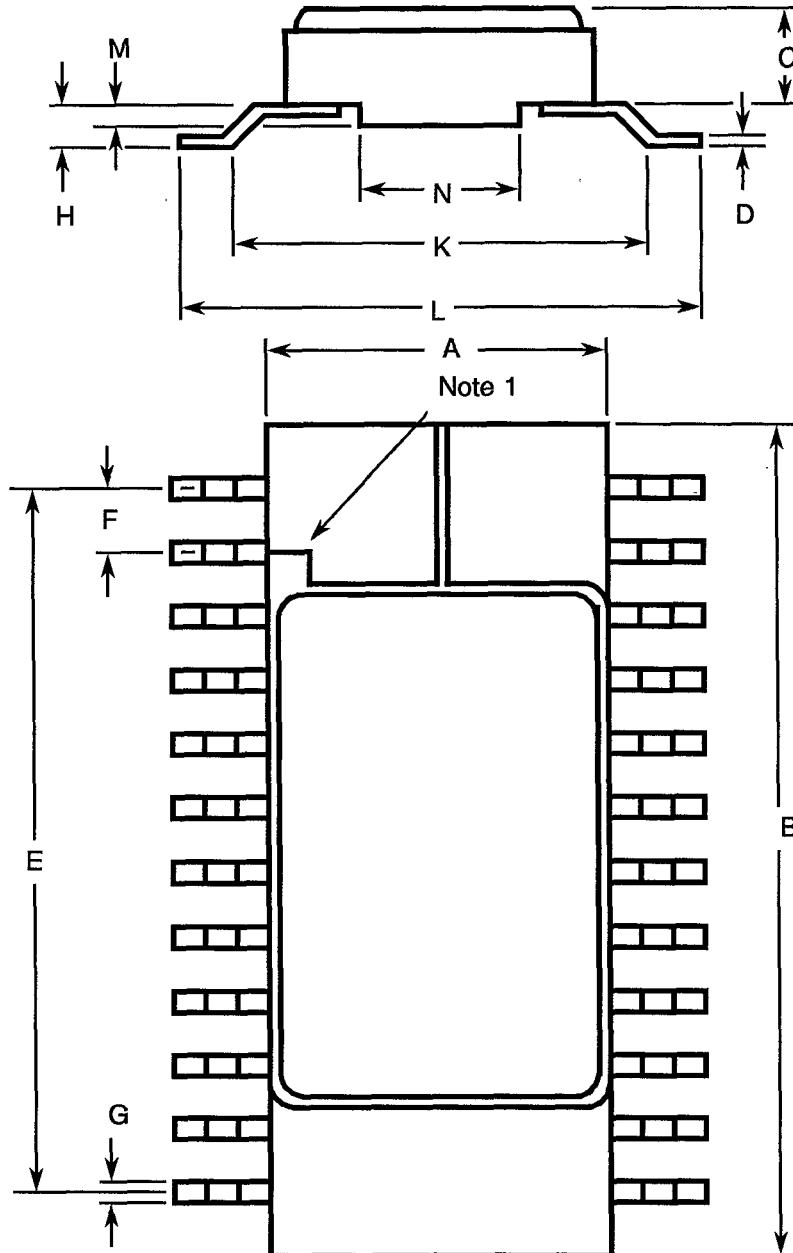
DIMENSIONS	MILLIMETRES		NOTES
	MIN	MAX	
A	1.14	1.95	
A1	1.63	2.36	
B	0.55	0.72	3
C	1.06	1.47	3
C ₁	1.91	2.41	
D	11.23	11.63	
D1	9.40	9.78	
d, d1	1.27	TYPICAL	4
d2	10.16	TYPICAL	
E	11.23	11.63	
E1	9.40	9.78	
e, e1	1.27	TYPICAL	4
e2	10.16	TYPICAL	
f, g	-	0.76	
h, h1	1.01	TYPICAL	6
j, j1	0.51	TYPICAL	5

NOTES: See Page 11.



FIGURE 2 - PHYSICAL DIMENSIONS (CONTINUED)

FIGURE 2(d) - SMALL OUTLINE CERAMIC PACKAGE, 24-PIN



SYMBOL	MILLIMETRES		NOTES
	MIN.	MAX.	
A	7.30	7.60	
B	15.20	15.60	
C	1.58	1.88	
D	0.17	0.23	3
E	13.82	14.12	
F	1.27 TYPICAL		4
G	0.37	0.47	3
H	0.60	0.90	3
K	9.00 TYPICAL		
L	10	10.65	
M	0.55 TYPICAL		
N	4.31 TYPICAL		

NOTES: See Page 11.


	<p style="text-align: center;">ESA/SCC Detail Specification No. 9306/025</p>	<p>PAGE 11 ISSUE 3</p>
--	--	----------------------------

FIGURE 2 - PHYSICAL DIMENSIONS (CONTINUED)

NOTES TO FIGURES 2(a) TO 2(d) INCLUSIVE

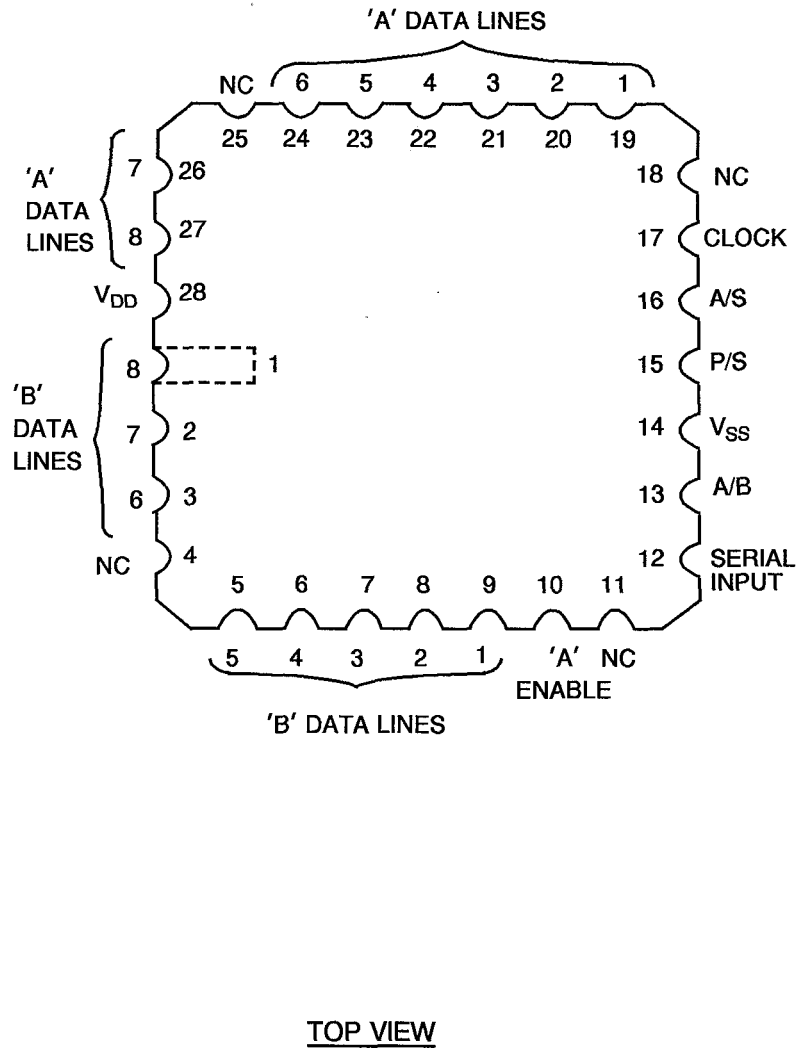
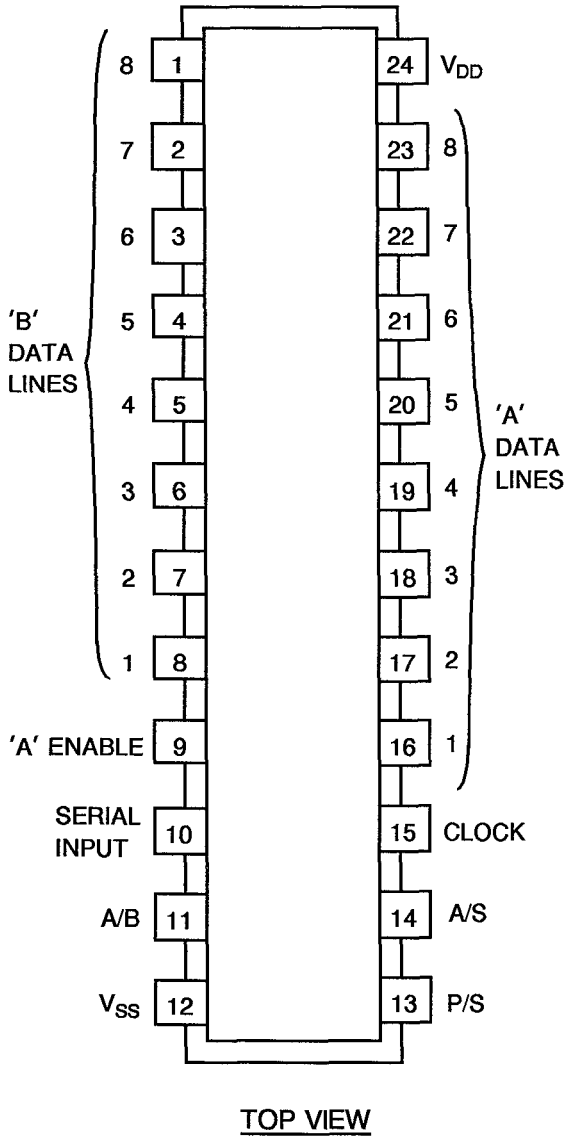
1. Index area; a notch, letter, metallised tab or dot shall be located adjacent to Pin 1 or 2 and shall be within the shaded area shown.
For chip carrier packages the index shall be as defined in Figure 2(c).
For SO packages, a dot shall also be located adjacent to Pin 1 on the bottom of the package.
2. The dimension shall be measured from the seating plane to the base plane.
3. All leads or terminals.
4. 24 pin packages : 22 spaces
28 terminal packages : 16 spaces
5. Index corner only.
6. Three non-index corners.



FIGURE 3(a) - PIN ASSIGNMENT

DUAL-IN-LINE, SO AND FLAT PACKAGES

CHIP CARRIER PACKAGE



FLAT PACKAGE, SO AND DUAL-IN-LINE TO CHIP CARRIER PIN ASSIGNMENT

FLAT PACKAGE, SO AND DUAL-IN-LINE PIN OUTS 1 2 3 4 5 6 7 8 9 10 11 12 13 14 15 16 17 18 19 20 21 22 23 24

CHIP CARRIER PIN OUTS 1 2 3 5 6 7 8 9 10 12 13 14 15 16 17 19 20 21 22 23 24 26 27 28



FIGURE 3(b) - MODE SELECT TABLE

For register input-levels and resulting register operation

"A" ENABLE	P/S	A/B	A/S	OPERATION (1)
L	L	L	X	Serial Mode; Synch. Serial Data Input, "A" Parallel Data Outputs Disabled.
L	L	H	X	Serial Mode; Synch. Serial Data Input, "B" Parallel Data Output.
L	H	L	L	Parallel Mode; "B" Synch. Parallel Data Inputs, "A" Parallel Data Outputs Disabled.
L	H	L	H	Parallel Mode; "B" Asynch. Parallel Data Inputs, "A" Parallel Data Outputs Disabled.
L	H	H	L	Parallel Mode; "A" Parallel Data Inputs Disabled, "B" Parallel Data Outputs, Synch. Data Recirculation.
L	H	H	H	Parallel Mode; "A" Parallel Data Inputs Disabled, "B" Parallel Data Outputs, Asynch. Data Recirculation.
H	L	L	X	Serial Mode; Synch. Serial Data Input, "A" Parallel Data Output.
H	L	H	X	Serial Mode; Synch. Serial Data Input, "B" Parallel Data Output.
H	H	L	L	Parallel Mode; "B" Synch. Parallel Data Input, "A" Parallel Data Output.
H	H	L	H	Parallel Mode; "B" Asynch. Parallel Data Input, "A" Parallel Data Output.
H	H	H	L	Parallel Mode; "A" Synch. Parallel Data Input, "B" Parallel Data Output.
H	H	H	H	Parallel Mode; "A" Asynch. Parallel Data Input, "B" Parallel Data Output.

NOTES

1. Outputs change at positive transition of clock in the serial mode and when the A/S control input is "Low" in the parallel mode.
2. Logic Level Definitions: L = Low Level, H = High Level, X = Don't Care.

FIGURE 3(c) - CIRCUIT SCHEMATIC

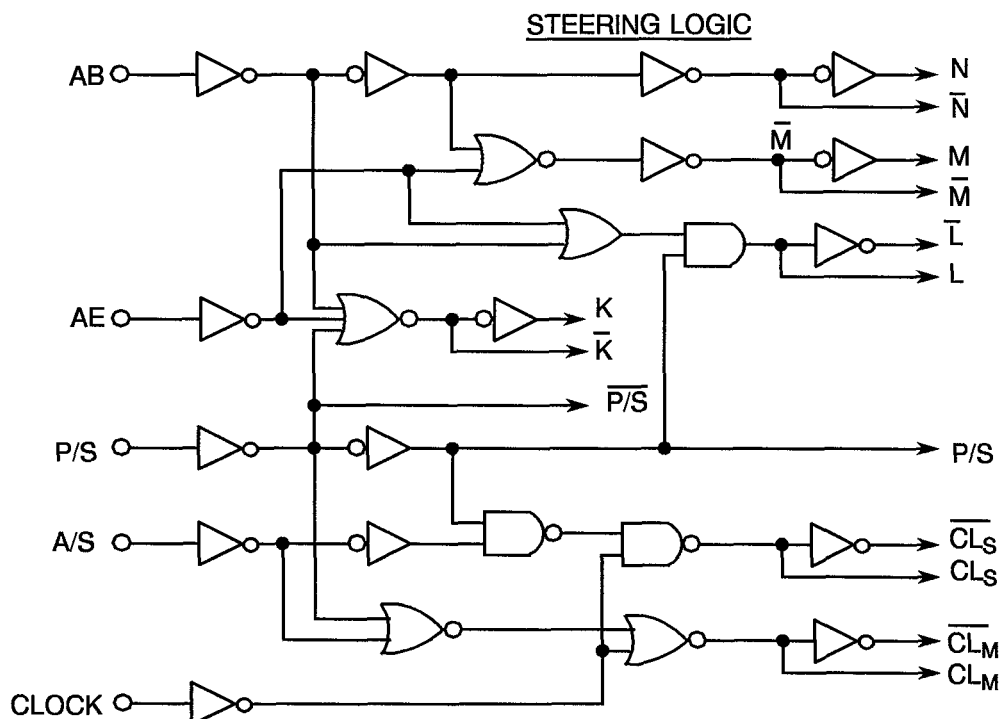




FIGURE 3(c) - CIRCUIT SCHEMATIC (CONTINUED)

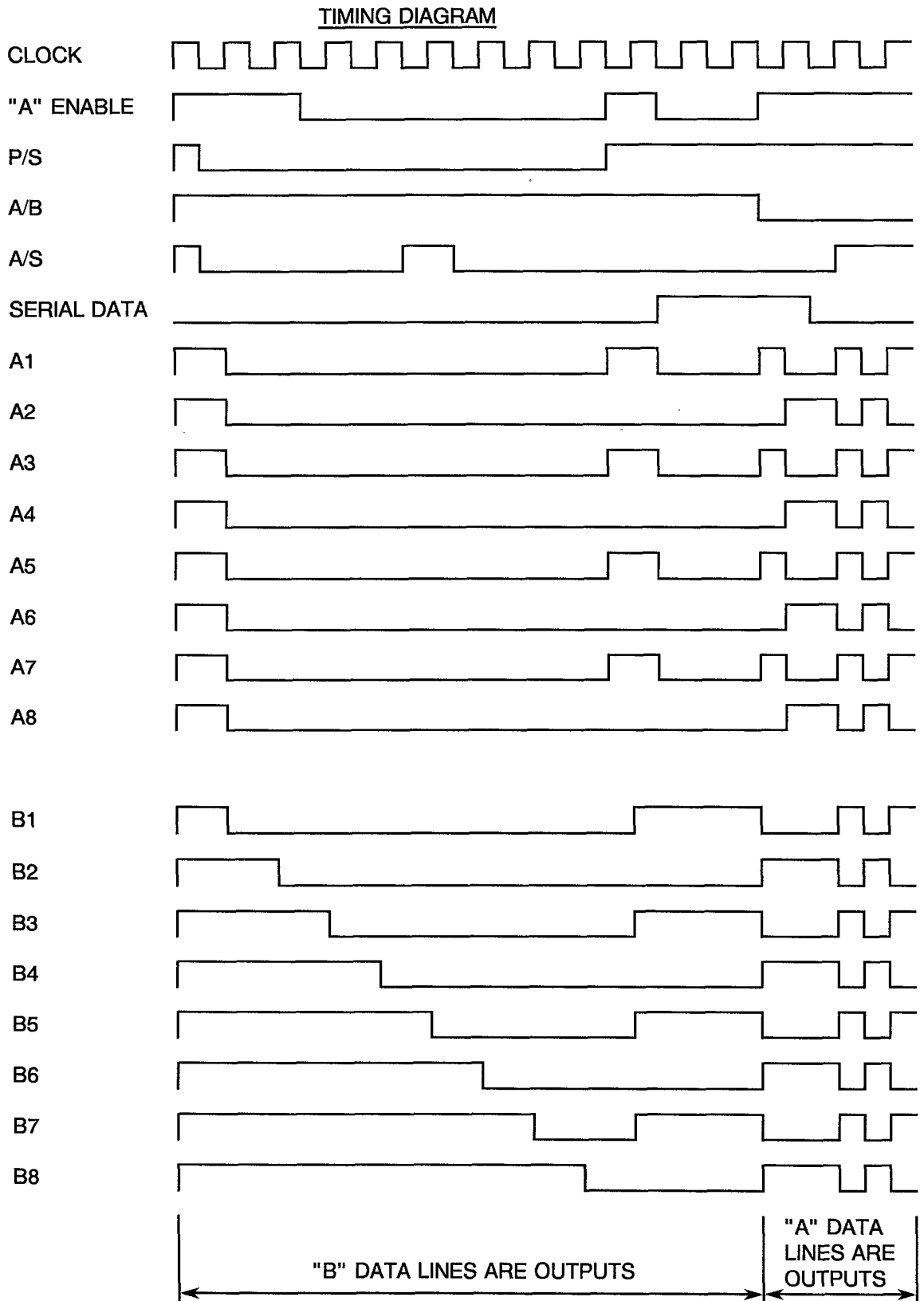




FIGURE 3(d) - FUNCTIONAL DIAGRAM

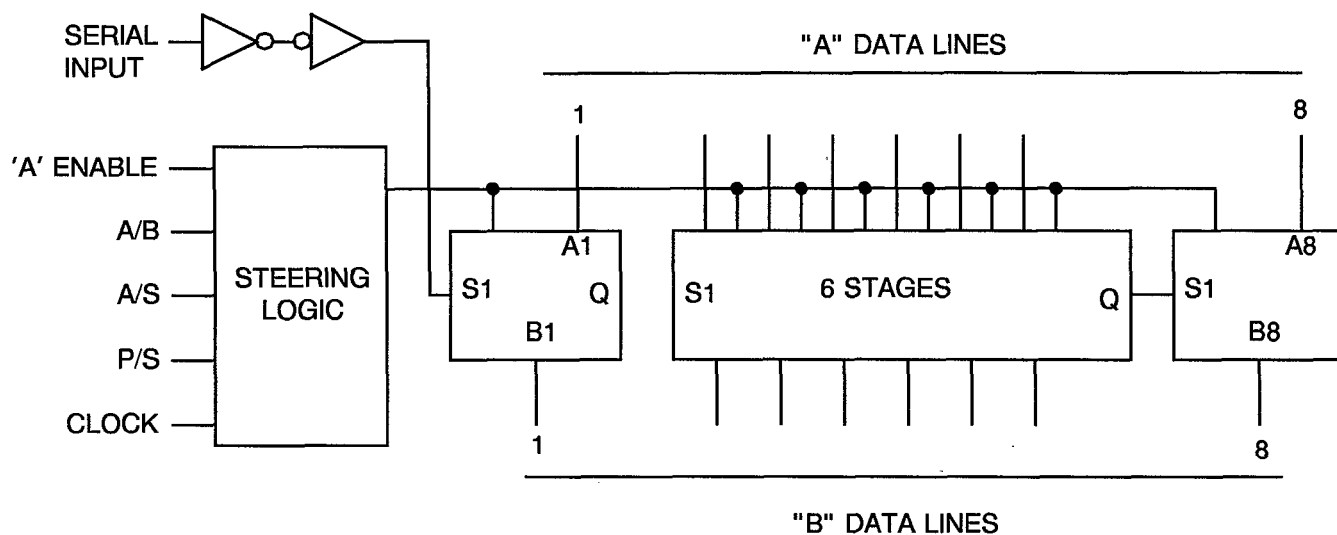
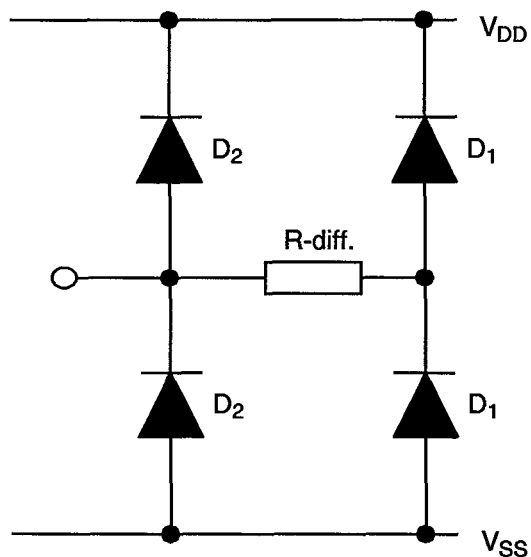


FIGURE 3(e) - INPUT PROTECTION NETWORK



**2. APPLICABLE DOCUMENTS**

The following documents form part of this specification and shall be read in conjunction with it:-

- (a) ESA/SCC Generic Specification No. 9000 for Integrated Circuits.
- (b) MIL-STD-883, Test Methods and Procedures for Micro-electronics.

3. TERMS, DEFINITIONS, ABBREVIATIONS, SYMBOLS AND UNITS

For the purpose of this specification, the terms, definitions, abbreviations, symbols and units specified in ESA/SCC Basic Specification No. 21300 shall apply. In addition, the following abbreviations are used:

V_{IC}	=	Input Clamp Voltage
P_{DSO}	=	Single Output Power Dissipation
CKT	=	Circuit
t_{PHZ}	=	Propagation Delay, High Output to High Impedance
t_{PZH}	=	Propagation Delay, High Impedance to High Output
t_{PLZ}	=	Propagation Delay, Low Output to High Impedance
t_{PZL}	=	Propagation Delay, High Impedance to Low Output

4. REQUIREMENTS**4.1 GENERAL**

The complete requirements for procurement of the integrated circuits specified herein are stated in this specification and ESA/SCC Generic Specification No. 9000 for Integrated Circuits. Deviations from the Generic Specification, applicable to this specification only, are listed in Para. 4.2.

Deviations from the applicable Generic Specification and this Detail Specification, formally agreed with specific Manufacturers on the basis that the alternative requirements are equivalent to the ESA/SCC requirement and do not affect the components' reliability, are listed in the appendices attached to this specification.

4.2 DEVIATIONS FROM GENERIC SPECIFICATION**4.2.1 Deviations from Special In-process Controls**

None.

4.2.2 Deviations from Final Production Tests (Chart II)

None.

4.2.3 Deviations from Burn-in Tests (Chart III)**4.2.3.1 Deviations from High Temperature Reverse Bias (H.T.R.B.)**

Prior to operating power burn-in, a high temperature reverse bias (H.T.R.B.) screen at +125°C shall be added for the N-Channel and then for the P-Channel in accordance with Tables 5(a) and 5(b) of this specification. Each exposure to H.T.R.B. shall be 72 hours and Table 4 Parameter Drift Values shall be applied at 0 and 144 hours.

4.2.4 Deviations from Qualification Tests (Chart IV)

None.



4.2.5 Deviations from Lot Acceptance Tests (Chart V)

None.

4.3 MECHANICAL REQUIREMENTS

4.3.1 Dimension Check

The dimensions of the integrated circuits specified herein shall be checked. They shall conform to those shown in Figure 2.

4.3.2 Weight

The maximum weight of the integrated circuits specified herein shall be 4.25 grammes for the dual-in-line package, 1.55 grammes for the flat package, 1.1 grammes for the SO package and 0.79 grammes for the chip carrier package.

4.4 MATERIALS AND FINISHES

The materials shall be as specified herein. Where a definite material is not specified, a material which will enable the integrated circuits specified herein to meet the performance requirements of this specification shall be used. Acceptance or approval of any constituent material does not guarantee acceptance of the finished product.

4.4.1 Case

The case shall be hermetically sealed and have a metal body with hard glass seals or a ceramic body and the lids shall be welded, brazed or preform-soldered.

4.4.2 Lead Material and Finish

For dual-in-line and flat packages, the material shall be Type 'G' with either Type '4' or Type '2 or 8' finish in accordance with ESA/SCC Basic Specification No. 23500. For chip carrier packages the finish shall be Type '2' in accordance with ESA/SCC Basic Specification No. 23500. For SO ceramic packages, the material shall be Type 'G' with either Type '2' or Type '4' finish in accordance with ESA/SCC Basic Specification No. 23500. (See Table 1(a) for Type Variants).

4.5 MARKING

4.5.1 General

The marking of all components delivered to this specification shall be in accordance with the requirements of ESA/SCC Basic Specification No. 21700. Each component shall be marked in respect of:-

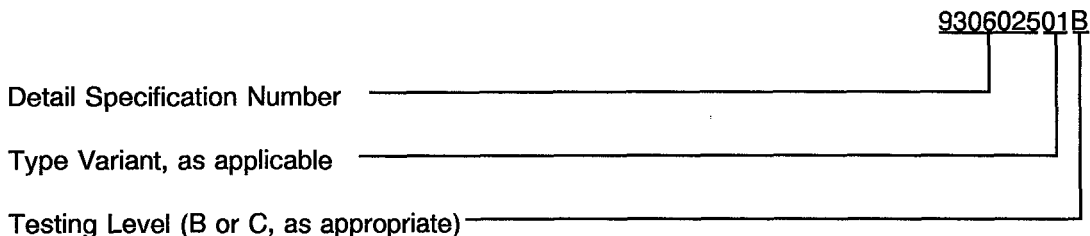
- (a) Lead Identification.
- (b) The SCC Component Number.
- (c) Traceability Information.

4.5.2 Lead Identification

For dual-in-line, flat and SO packages, an index shall be located at the top of the package in the position defined in Note 1 to Figure 2 or, alternatively, a tab may be used to identify Pin No. 1. The pin numbering must be read with the index or tab on the left-hand side. For chip carrier packages, the index shall be as defined by Figure 2(c).

4.5.3 The SCC Component Number

Each component shall bear the SCC Component Number which shall be constituted and marked as follows:-



4.5.4 Traceability Information

Each component shall be marked in respect of traceability information in accordance with the requirements of ESA/SCC Basic Specification No. 21700.

4.6 ELECTRICAL MEASUREMENTS

4.6.1 Electrical Measurements at Room Temperature

The parameters to be measured in respect of electrical characteristics are scheduled in Table 2. Unless otherwise specified, the measurements shall be performed at $T_{amb} = +22 \pm 3 \text{ }^\circ\text{C}$.

4.6.2 Electrical Measurements at High and Low Temperatures

The parameters to be measured at high and low temperatures are scheduled in Table 3. The measurements shall be performed at $T_{amb} = +125(+0-5) \text{ }^\circ\text{C}$ and $-55(+5-0) \text{ }^\circ\text{C}$ respectively.

4.6.3 Circuits for Electrical Measurements

Circuits and functional test sequence for use in performing electrical measurements listed in Tables 2 and 3 of this specification are shown in Figure 4.

4.7 BURN-IN TESTS

4.7.1 Parameter Drift Values

The parameter drift values applicable to burn-in are specified in Table 4 of this specification. Unless otherwise stated, measurements shall be performed at $+22 \pm 3 \text{ }^\circ\text{C}$. The parameter drift values (Δ) applicable to the parameters scheduled, shall not be exceeded. In addition to these drift value requirements, the appropriate limit value specified for a given parameter in Table 2 shall not be exceeded.

4.7.2 Conditions for H.T.R.B. and Burn-in

The requirements for H.T.R.B. and Burn-in are specified in Section 7 of ESA/SCC Generic Specification No. 9000. The conditions for H.T.R.B. and Burn-in shall be as specified in Tables 5(a), 5(b) and 5(c) of this specification.

4.7.3 Electrical Circuits for H.T.R.B and Burn-in

Circuits for use in performing the H.T.R.B. and Burn-in tests are shown in Figures 5(a), 5(b) and 5(c) of this specification.



TABLE 2 - ELECTRICAL MEASUREMENTS AT ROOM TEMPERATURE - d.c. PARAMETERS

NO.	CHARACTERISTICS	SYMBOL	TEST METHOD MIL-STD 883	TEST FIG.	TEST CONDITIONS (PINS UNDER TEST D/F = DIP AND FP C = CCP)	LIMITS		UNIT
						MIN	MAX	
1	Functional Test	-	-	4(a)	Verify Truth Table without Load. $V_{DD} = 3V_{dc}$, $V_{SS} = 0V_{dc}$ Notes 1 and 2	-	-	-
2	Functional Test	-	-	4(a)	Verify Truth Table without Load. $V_{DD} = 15V_{dc}$, $V_{SS} = 0V_{dc}$ Notes 1 and 2	-	-	-
3 to 4	Quiescent Current	I_{DD}	3005	4(b)	$V_{IL} = 0V_{dc}$, $V_{IH} = 15V_{dc}$ $V_{DD} = 15V_{dc}$, $V_{SS} = 0V_{dc}$ (Pin D/F 24) (Pin C 28)	-	500	nA
5 to 10	Input Current Low Level	I_{IL1}	3009	4(c)	V_{IN} (Under Test) = $0V_{dc}$ V_{IN} (Other Inputs) = $15V_{dc}$ $V_{DD} = 15V_{dc}$, $V_{SS} = 0V_{dc}$ (Pins D/F 9-10-11-13-14-15) (Pins C 10-12-13-15-16-17)	-	-50	nA
11 to 16	Input Current High Level	I_{IH1}	3010	4(d)	V_{IN} (Under Test) = $15V_{dc}$ V_{IN} (Other Inputs) = $0V_{dc}$ $V_{DD} = 15V_{dc}$, $V_{SS} = 0V_{dc}$ (Pins D/F 9-10-11-13-14-15) (Pins C 10-12-13-15-16-17)	-	50	nA
17 to 32	Input Current Low Level (A or B Lines)	I_{IL2}	3009	4(c)	V_{IN} (Under Test) = $0V_{dc}$ V_{IN} (Other Inputs) = $15V_{dc}$ $V_{DD} = 15V_{dc}$, $V_{SS} = 0V_{dc}$ Note 3 (Pins D/F 1-2-3-4-5-6-7-8-16-17-18-19-20-21-22-23) (Pins C 1-2-3-5-6-7-8-9-19-20-21-22-23-24-26-27)	-	-400	nA
33 to 48	Input Current High Level (A or B Lines)	I_{IH2}	3010	4(d)	V_{IN} (Under Test) = $15V_{dc}$ V_{IN} (Other Inputs) = $0V_{dc}$ $V_{DD} = 15V_{dc}$, $V_{SS} = 0V_{dc}$ Note 3 (Pins D/F 1-2-3-4-5-6-7-8-16-17-18-19-20-21-22-23) (Pins C 1-2-3-5-6-7-8-9-19-20-21-22-23-24-26-27)	-	400	nA

NOTES: See Page 26.



TABLE 2 - ELECTRICAL MEASUREMENTS AT ROOM TEMPERATURE - d.c. PARAMETERS (CONT'D)

NO.	CHARACTERISTICS	SYMBOL	TEST METHOD MIL-STD 883	TEST FIG.	TEST CONDITIONS (PINS UNDER TEST D/F = DIP AND FP C = CCP)	LIMITS		UNIT
						MIN	MAX	
49 to 56	Output Voltage Low Level (Data Lines 'A' Parallel Outputs)	V _{OL1}	3007	4(e)	V _{IN} ('A' Enable) = 15Vdc V _{IN} (P/S) = 15Vdc V _{IN} (A/B) = 0Vdc V _{IN} (A/S) = 0Vdc V _{IN} ('B' Data Lines) = 0Vdc V _{OUT} = Open V _{DD} = 15Vdc, V _{SS} = 0Vdc (Pins D/F 16-17-18-19-20-21-22-23) (Pins C 19-20-21-22-23-24-26-27)	-	0.05	V
57 to 64	Output Voltage Low Level (Data Lines 'B' Parallel Outputs)	V _{OL2}	3007	4(e)	V _{IN} ('A' Enable) = 15Vdc V _{IN} (P/S) = 15Vdc V _{IN} (A/B) = 0Vdc V _{IN} (A/S) = 15Vdc V _{IN} ('A' Data Lines) = 0Vdc V _{OUT} = Open V _{DD} = 15Vdc, V _{SS} = 0Vdc (Pins D/F 1-2-3-4-5-6-7-8) (Pins C 1-2-3-5-6-7-8-9)	-	0.05	V
65 to 72	Output Voltage High Level (Data Lines 'A' Parallel Outputs)	V _{OH1}	3006	4(f)	V _{IN} ('A' Enable) = 15Vdc V _{IN} (P/S) = 15Vdc V _{IN} (A/B) = 0Vdc V _{IN} (A/S) = 0Vdc V _{IN} ('B' Data Lines) = 15Vdc V _{OUT} = Open V _{DD} = 15Vdc, V _{SS} = 0Vdc (Pins D/F 16-17-18-19-20-21-22-23) (Pins C 19-20-21-22-23-24-26-27)	14.95	-	V
73 to 80	Output Voltage High Level (Data Lines 'B' Parallel Outputs)	V _{OH2}	3006	4(f)	V _{IN} ('A' Enable) = 15Vdc V _{IN} (P/S) = 15Vdc V _{IN} (A/B) = 0Vdc V _{IN} (A/S) = 15Vdc V _{IN} ('A' Data Lines) = 15Vdc V _{OUT} = Open V _{DD} = 15Vdc, V _{SS} = 0Vdc (Pins D/F 1-2-3-4-5-6-7-8) (Pins C 1-2-3-5-6-7-8-9)	14.95	-	V

NOTES: See Page 26.

**TABLE 2 - ELECTRICAL MEASUREMENTS AT ROOM TEMPERATURE - d.c. PARAMETERS (CONT'D)**

NO.	CHARACTERISTICS	SYMBOL	TEST METHOD MIL-STD 883	TEST FIG.	TEST CONDITIONS (PINS UNDER TEST D/F = DIP AND FP C = CCP)	LIMITS		UNIT
						MIN	MAX	
81 to 88	Output Drive Current N-Channel (Data Lines 'A' Parallel Outputs)	I_{OL1}	-	4(g)	V_{IN} ('A' Enable) = 5Vdc V_{IN} (P/S) = 5Vdc V_{IN} (A/B) = 0Vdc V_{IN} (A/S) = 0Vdc V_{IN} ('B' Data Lines) = 0Vdc V_{OUT} = 0.4Vdc V_{DD} = 5Vdc, V_{SS} = 0Vdc Note 4 (Pins D/F 16-17-18-19-20- 21-22-23) (Pins C 19-20-21-22-23-24- 26-27)	0.51	-	mA
89 to 96	Output Drive Current N-Channel (Data Lines 'B' Parallel Outputs)	I_{OL2}	-	4(g)	V_{IN} ('A' Enable) = 5Vdc V_{IN} (P/S) = 5Vdc V_{IN} (A/B) = 0Vdc V_{IN} (A/S) = 5Vdc V_{IN} ('A' Data Lines) = 0Vdc V_{OUT} = 0.4Vdc V_{DD} = 5Vdc, V_{SS} = 0Vdc Note 4 (Pins D/F 1-2-3-4-5-6-7-8) (Pins C 1-2-3-5-6-7-8-9)	0.51	-	mA
97 to 104	Output Drive Current N-Channel (Data Lines 'A' Parallel Outputs)	I_{OL3}	-	4(g)	V_{IN} ('A' Enable) = 15Vdc V_{IN} (P/S) = 15Vdc V_{IN} (A/B) = 0Vdc V_{IN} (A/S) = 0Vdc V_{IN} ('B' Data Lines) = 0Vdc V_{OUT} = 1.5Vdc V_{DD} = 15Vdc, V_{SS} = 0Vdc Note 4 (Pins D/F 16-17-18-19-20- 21-22-23) (Pins C 19-20-21-22-23-24- 26-27)	3.4	-	mA
105 to 112	Output Drive Current N-Channel (Data Lines 'B' Parallel Outputs)	I_{OL4}	-	4(g)	V_{IN} ('A' Enable) = 15Vdc V_{IN} (P/S) = 15Vdc V_{IN} (A/B) = 0Vdc V_{IN} (A/S) = 15Vdc V_{IN} ('A' Data Lines) = 0Vdc V_{OUT} = 1.5Vdc V_{DD} = 15Vdc, V_{SS} = 0Vdc Note 4 (Pins D/F 1-2-3-4-5-6-7-8) (Pins C 1-2-3-5-6-7-8-9)	3.4	-	mA

NOTES: See Page 26.

**TABLE 2 - ELECTRICAL MEASUREMENTS AT ROOM TEMPERATURE - d.c. PARAMETERS (CONT'D)**

NO.	CHARACTERISTICS	SYMBOL	TEST METHOD MIL-STD 883	TEST FIG.	TEST CONDITIONS (PINS UNDER TEST D/F = DIP AND FP C = CCP)	LIMITS		UNIT
						MIN	MAX	
113 to 120	Output Drive Current P-Channel (Data Lines 'A' Parallel Outputs)	I_{OH1}	-	4(h)	V_{IN} ('A' Enable) = 5Vdc V_{IN} (P/S) = 5Vdc V_{IN} (A/B) = 0Vdc V_{IN} (A/S) = 0Vdc V_{IN} ('B' Data Lines) = 5Vdc V_{OUT} = 4.6Vdc V_{DD} = 5Vdc, V_{SS} = 0Vdc Note 4 (Pins D/F 16-17-18-19-20- 21-22-23) (Pins C 19-20-21-22-23-24- 26-27)	-0.51	-	mA
121 to 128	Output Drive Current P-Channel (Data Lines 'B' Parallel Outputs)	I_{OH2}	-	4(h)	V_{IN} ('A' Enable) = 5Vdc V_{IN} (P/S) = 5Vdc V_{IN} (A/B) = 0Vdc V_{IN} (A/S) = 5Vdc V_{IN} ('A' Data Lines) = 5Vdc V_{OUT} = 4.6Vdc V_{DD} = 5Vdc, V_{SS} = 0Vdc Note 4 (Pins D/F 1-2-3-4-5-6-7-8) (Pins C 1-2-3-5-6-7-8-9)	-0.51	-	mA
129 to 136	Output Drive Current P-Channel (Data Lines 'A' Parallel Outputs)	I_{OH3}	-	4(h)	V_{IN} ('A' Enable) = 15Vdc V_{IN} (P/S) = 15Vdc V_{IN} (A/B) = 0Vdc V_{IN} (A/S) = 0Vdc V_{IN} ('B' Data Lines) = 15Vdc V_{OUT} = 13.5Vdc V_{DD} = 15Vdc, V_{SS} = 0Vdc Note 4 (Pins D/F 16-17-18-19-20- 21-22-23) (Pins C 19-20-21-22-23-24- 26-27)	-3.4	-	mA
137 to 144	Output Drive Current P-Channel (Data Lines 'B' Parallel Outputs)	I_{OH4}	-	4(h)	V_{IN} ('A' Enable) = 15Vdc V_{IN} (P/S) = 15Vdc V_{IN} (A/B) = 0Vdc V_{IN} (A/S) = 15Vdc V_{IN} ('A' Data Lines) = 15Vdc V_{OUT} = 13.5Vdc V_{DD} = 15Vdc, V_{SS} = 0Vdc Note 4 (Pins D/F 1-2-3-4-5-6-7-8) (Pins C 1-2-3-5-6-7-8-9)	-3.4	-	mA

NOTES: See Page 26.



TABLE 2 - ELECTRICAL MEASUREMENTS AT ROOM TEMPERATURE - d.c. PARAMETERS (CONT'D)

NO.	CHARACTERISTICS	SYMBOL	TEST METHOD MIL-STD 883	TEST FIG.	TEST CONDITIONS (PINS UNDER TEST D/F = DIP AND FP C = CCP)	LIMITS		UNIT
						MIN	MAX	
145	Input Voltage Low Level (Noise Immunity) (Functional Test)	V_{IL1}	-	4(a)	$V_{IL} = 1.5V_{dc}$ $V_{IH} = 3.5V_{dc}$ $V_{DD} = 5V_{dc}, V_{SS} = 0V_{dc}$ Note 5 (Pins D/F 1-2-3-4-5-6-7-8-16-17-18-19-20-21-22-23) (Pins C 1-2-3-5-6-7-8-9-19-20-21-22-23-24-26-27)	4.5	-	V
	Input Voltage High Level (Noise Immunity) (Functional Test)	V_{IH1}	-			-	0.5	
146	Input Voltage Low Level (Noise Immunity) (Functional Test)	V_{IL2}	-	4(a)	$V_{IL} = 4V_{dc}$ $V_{IH} = 11V_{dc}$ $V_{DD} = 15V_{dc}, V_{SS} = 0V_{dc}$ Note 5 (Pins D/F 1-2-3-4-5-6-7-8-16-17-18-19-20-21-22-23) (Pins C 1-2-3-5-6-7-8-9-19-20-21-22-23-24-26-27)	13.5	-	V
	Input Voltage High Level (Noise Immunity) (Functional Test)	V_{IH2}	-			-	1.5	
147	Threshold Voltage N-Channel	V_{THN}	-	4(i)	A/S Input at Ground All Other Inputs: $V_{IN} = 5V_{dc}$ $V_{DD} = 5V_{dc}, I_{SS} = -10\mu A$ (Pin D/F 12) (Pin C 14)	-0.7	-3.0	V
148	Threshold Voltage P-Channel	V_{THP}	-	4(j)	A/S Input at Ground All Other Inputs: $V_{IN} = -5V_{dc}$ $V_{SS} = -5V_{dc}, I_{DD} = 10\mu A$ (Pin D/F 24) (Pin C 28)	0.7	3.0	V
149 to 154	Input Clamp Voltage (to V_{SS})	V_{IC1}	-	4(k)	I_{IN} (Under Test) = $-100\mu A$ $V_{DD} = \text{Open}, V_{SS} = 0V_{dc}$ All Other Pins Open (Pins D/F 9-10-11-13-14-15) (Pins C 10-12-13-15-16-17)	-	-2.0	V
155 to 160	Input Clamp Voltage (to V_{DD})	V_{IC2}	-	4(l)	V_{IN} (Under Test) = $6V_{dc}$ $V_{SS} = \text{Open}, R = 30k\Omega$; (Pins D/F 9-10-11-13-14-15) (Pins C 10-12-13-15-16-17)	3.0	-	V

NOTES: See Page 26.

**TABLE 2 - ELECTRICAL MEASUREMENTS AT ROOM TEMPERATURE - a.c. PARAMETERS**

NO.	CHARACTERISTICS	SYMBOL	TEST METHOD MIL-STD 883	TEST FIG.	TEST CONDITIONS (PINS UNDER TEST D/F = DIP AND FP C = CCP)	LIMITS		UNIT
						MIN	MAX	
161 to 167	Input Capacitance	C_{IN}	3012	4(m)	V_{IN} (Not under Test) = 0Vdc $V_{DD} = V_{SS} = 0Vdc$ Note 6 (Pins D/F 9-10-11-12-13-14-15) (Pins C 10-12-13-14-15-16-17)	-	7.5	pF
168	Propagation Delay Low to High	t_{PLH}	3003	4(n)	V_{IN} (Clock Input) = Pulse Generator $V_{IH} = 5Vdc$, $V_{IL} = 0Vdc$ $V_{DD} = 5Vdc$, $V_{SS} = 0Vdc$ Note 7 <u>Pins D/F</u> <u>Pins C</u> 15 to 8 17 to 9	-	700	ns
169	Propagation Delay High to Low	t_{PHL}	3003	4(n)	V_{IN} (Clock Input) = Pulse Generator $V_{IH} = 5Vdc$, $V_{IL} = 0Vdc$ $V_{DD} = 5Vdc$, $V_{SS} = 0Vdc$ Note 7 <u>Pins D/F</u> <u>Pins C</u> 15 to 8 17 to 9	-	700	ns
170	Propagation Delay High Impedance to Low Output (Enable to 'A' Data Line)	t_{PZL}	3003	4(o)	V_{IN} (Enable) = Pulse Generator All Other Inputs: $V_{IN} = 0Vdc$ $V_{DD} = 5Vdc$, $V_{SS} = 0Vdc$ Note 7 <u>Pins D/F</u> <u>Pins C</u> 9 to 23 10 to 27	-	360	ns
171	Propagation Delay Low Output to High Impedance (Enable to 'A' Data Line)	t_{PLZ}	3003	4(o)	V_{IN} (Enable) = Pulse Generator All Other Inputs: $V_{IN} = 0Vdc$ $V_{DD} = 5Vdc$, $V_{SS} = 0Vdc$ Note 7 <u>Pins D/F</u> <u>Pins C</u> 9 to 23 10 to 27	-	360	ns
172	Propagation Delay High Impedance to High Output (Enable to 'A' Data Line)	t_{PZH}	3003	4(o)	V_{IN} (Enable) = Pulse Generator All Other Inputs: $V_{IN} = 0Vdc$ $V_{DD} = 5Vdc$, $V_{SS} = 0Vdc$ Note 7 <u>Pins D/F</u> <u>Pins C</u> 9 to 23 10 to 27	-	360	ns

NOTES: See Page 26.

**TABLE 2 - ELECTRICAL MEASUREMENTS AT ROOM TEMPERATURE - a.c. PARAMETERS (CONT'D)**

NO.	CHARACTERISTICS	SYMBOL	TEST METHOD MIL-STD 883	TEST FIG.	TEST CONDITIONS (PINS UNDER TEST D/F = DIP AND FP C = CCP)	LIMITS		UNIT
						MIN	MAX	
173	Propagation Delay High Output to High Impedance (Enable to 'A' Data Line)	t_{pZH}	3003	4(o)	V_{IN} (Enable) = Pulse Generator All Other Inputs: $V_{IN} = 0V_{dc}$ $V_{DD} = 5V_{dc}$, $V_{SS} = 0V_{dc}$ Note 7 <u>Pins D/F</u> <u>Pins C</u> 9 to 23 10 to 27	-	360	ns
174	Transition Time Low to High	t_{TLH}	3004	4(n)	V_{IN} (Clock Input) = Pulse Generator $V_{IH} = 5V_{dc}$, $V_{IL} = 0V_{dc}$ $V_{DD} = 5V_{dc}$, $V_{SS} = 0V_{dc}$ Note 7 (Pin D/F 8) (Pin C 9)	-	200	ns
175	Transition Time High to Low	t_{THL}	3004	4(n)	V_{IN} (Clock Input) = Pulse Generator $V_{IH} = 5V_{dc}$, $V_{IL} = 0V_{dc}$ $V_{DD} = 5V_{dc}$, $V_{SS} = 0V_{dc}$ Note 7 (Pin D/F 8) (Pin C 9)	-	200	ns
176	Maximum Clock Input Frequency	$f_{(CL)}$	-	4(n)	Clock = Pulse Generator V_{IN} (All Other Inputs) = $0V_{dc}$ $V_{DD} = 5V_{dc}$, $V_{SS} = 0V_{dc}$ Notes 7 and 8 (Pin D/F 23) (Pin C 27)	2.0	-	MHz

NOTES

- GO-NO-GO Test, each pattern of Test Table 4(a).
 $V_{OH} \geq V_{DD} - 0.5V_{dc}$ $V_{OL} \leq 0.5V_{dc}$
- Maximum time to output comparator strobe 300 μ sec.
- For I/O Ports, the parameters include the OFF-State Output Currents (I_{OZH} , I_{OZL}).
- Interchange of forcing and measuring function is permitted.
- This is performed as a Functional Test in which extreme V_{IN} conditions are applied and output voltage is measured.
- Measurement performed on a sample basis LTPD 7, or less, with a Capacitance Bridge connected between each input under test and V_{SS} , only for Lots where LAT Level 2 is to be performed. (For LTPD sampling plan, see Annexe I of ESA/SCC 9000).
- Measurement performed on a sample basis, LTPD 7 or less, (see Annexe I of ESA/SCC 9000).
- A pulse having the following conditions shall be applied to the Clock Inputs: $V_P = 0V_{dc}$ to $V_{DD} V_{dc}$
Maximum Clock Frequency, $f_{(CL)}$, requirement is considered met if proper output state changes occur with the pulse repetition rate set to that given in the "Limits" column.

**TABLE 3(a) - ELECTRICAL MEASUREMENTS AT HIGH TEMPERATURE, +125(+0 -5) °C**

NO.	CHARACTERISTICS	SYMBOL	TEST METHOD MIL-STD 883	TEST FIG.	TEST CONDITIONS (PINS UNDER TEST D/F = DIP AND FP C = CCP)	LIMITS		UNIT
						MIN	MAX	
1	Functional Test	-	-	4(a)	Verify Truth Table without Load. $V_{DD} = 3V_{dc}$, $V_{SS} = 0V_{dc}$ Notes 1 and 2	-	-	-
2	Functional Test	-	-	4(a)	Verify Truth Table without Load. $V_{DD} = 15V_{dc}$, $V_{SS} = 0V_{dc}$ Notes 1 and 2	-	-	-
3 to 4	Quiescent Current	I_{DD}	3005	4(b)	$V_{IL} = 0V_{dc}$, $V_{IH} = 15V_{dc}$ $V_{DD} = 15V_{dc}$, $V_{SS} = 0V_{dc}$ (Pin D/F 24) (Pin C 28)	-	15	μA
5 to 10	Input Current Low Level	I_{IL1}	3009	4(c)	V_{IN} (Under Test) = $0V_{dc}$ V_{IN} (Other Inputs) = $15V_{dc}$ $V_{DD} = 15V_{dc}$, $V_{SS} = 0V_{dc}$ (Pins D/F 9-10-11-13-14-15) (Pins C 10-12-13-15-16-17)	-	-100	nA
11 to 16	Input Current High Level	I_{IH1}	3010	4(d)	V_{IN} (Under Test) = $15V_{dc}$ V_{IN} (Other Inputs) = $0V_{dc}$ $V_{DD} = 15V_{dc}$, $V_{SS} = 0V_{dc}$ (Pins D/F 9-10-11-13-14-15) (Pins C 10-12-13-15-16-17)	-	100	nA
17 to 32	Input Current Low Level (A or B Lines)	I_{IL2}	3009	4(c)	V_{IN} (Under Test) = $0V_{dc}$ V_{IN} (Other Inputs) = $15V_{dc}$ $V_{DD} = 15V_{dc}$, $V_{SS} = 0V_{dc}$ Note 3 (Pins D/F 1-2-3-4-5-6-7-8-16-17-18-19-20-21-22-23) (Pins C 1-2-3-5-6-7-8-9-19-20-21-22-23-24-26-27)	-	-12	μA
33 to 48	Input Current High Level (A or B Lines)	I_{IH2}	3010	4(d)	V_{IN} (Under Test) = $15V_{dc}$ V_{IN} (Other Inputs) = $0V_{dc}$ $V_{DD} = 15V_{dc}$, $V_{SS} = 0V_{dc}$ Note 3 (Pins D/F 1-2-3-4-5-6-7-8-16-17-18-19-20-21-22-23) (Pins C 1-2-3-5-6-7-8-9-19-20-21-22-23-24-26-27)	-	12	μA

NOTES: See Page 26.



TABLE 3(a) - ELECTRICAL MEASUREMENTS AT HIGH TEMPERATURE, +125(+0 -5) °C (CONT'D)

NO.	CHARACTERISTICS	SYMBOL	TEST METHOD MIL-STD 883	TEST FIG.	TEST CONDITIONS (PINS UNDER TEST D/F = DIP AND FP C = CCP)	LIMITS		UNIT
						MIN	MAX	
49 to 56	Output Voltage Low Level (Data Lines 'A' Parallel Outputs)	V _{OL1}	3007	4(e)	V _{IN} ('A' Enable) = 15Vdc V _{IN} (P/S) = 15Vdc V _{IN} (A/B) = 0Vdc V _{IN} (A/S) = 0Vdc V _{IN} ('B' Data Lines) = 0Vdc V _{OUT} = Open V _{DD} = 15Vdc, V _{SS} = 0Vdc (Pins D/F 16-17-18-19-20-21-22-23) (Pins C 19-20-21-22-23-24-26-27)	-	0.05	V
57 to 64	Output Voltage Low Level (Data Lines 'B' Parallel Outputs)	V _{OL2}	3007	4(e)	V _{IN} ('A' Enable) = 15Vdc V _{IN} (P/S) = 15Vdc V _{IN} (A/B) = 0Vdc V _{IN} (A/S) = 15Vdc V _{IN} ('A' Data Lines) = 0Vdc V _{OUT} = Open V _{DD} = 15Vdc, V _{SS} = 0Vdc (Pins D/F 1-2-3-4-5-6-7-8) (Pins C 1-2-3-5-6-7-8-9)	-	0.05	V
65 to 72	Output Voltage High Level (Data Lines 'A' Parallel Outputs)	V _{OH1}	3006	4(f)	V _{IN} ('A' Enable) = 15Vdc V _{IN} (P/S) = 15Vdc V _{IN} (A/B) = 0Vdc V _{IN} (A/S) = 0Vdc V _{IN} ('B' Data Lines) = 15Vdc V _{OUT} = Open V _{DD} = 15Vdc, V _{SS} = 0Vdc (Pins D/F 16-17-18-19-20-21-22-23) (Pins C 19-20-21-22-23-24-26-27)	14.95	-	V
73 to 80	Output Voltage High Level (Data Lines 'B' Parallel Outputs)	V _{OH2}	3006	4(f)	V _{IN} ('A' Enable) = 15Vdc V _{IN} (P/S) = 15Vdc V _{IN} (A/B) = 0Vdc V _{IN} (A/S) = 15Vdc V _{IN} ('A' Data Lines) = 15Vdc V _{OUT} = Open V _{DD} = 15Vdc, V _{SS} = 0Vdc (Pins D/F 1-2-3-4-5-6-7-8) (Pins C 1-2-3-5-6-7-8-9)	14.95	-	V

NOTES: See Page 26.



TABLE 3 (a) - ELECTRICAL MEASUREMENTS AT HIGH TEMPERATURE, +125(+0 -5) °C (CONT'D)

NO.	CHARACTERISTICS	SYMBOL	TEST METHOD MIL-STD 883	TEST FIG.	TEST CONDITIONS (PINS UNDER TEST D/F = DIP AND FP C = CCP)	LIMITS		UNIT
						MIN	MAX	
81 to 88	Output Drive Current N-Channel (Data Lines 'A' Parallel Outputs)	I _{OL1}	-	4(g)	V _{IN} ('A' Enable) = 5Vdc V _{IN} (P/S) = 5Vdc V _{IN} (A/B) = 0Vdc V _{IN} (A/S) = 0Vdc V _{IN} ('B' Data Lines) = 0Vdc V _{OUT} = 0.4Vdc V _{DD} = 5Vdc, V _{SS} = 0Vdc Note 4 (Pins D/F 16-17-18-19-20-21-22-23) (Pins C 19-20-21-22-23-24-26-27)	0.36	-	mA
89 to 96	Output Drive Current N-Channel (Data Lines 'B' Parallel Outputs)	I _{OL2}	-	4(g)	V _{IN} ('A' Enable) = 5Vdc V _{IN} (P/S) = 5Vdc V _{IN} (A/B) = 0Vdc V _{IN} (A/S) = 5Vdc V _{IN} ('A' Data Lines) = 0Vdc V _{OUT} = 0.4Vdc V _{DD} = 5Vdc, V _{SS} = 0Vdc Note 4 (Pins D/F 1-2-3-4-5-6-7-8) (Pins C 1-2-3-5-6-7-8-9)	0.36	-	mA
97 to 104	Output Drive Current N-Channel (Data Lines 'A' Parallel Outputs)	I _{OL3}	-	4(g)	V _{IN} ('A' Enable) = 15Vdc V _{IN} (P/S) = 15Vdc V _{IN} (A/B) = 0Vdc V _{IN} (A/S) = 0Vdc V _{IN} ('B' Data Lines) = 0Vdc V _{OUT} = 1.5Vdc V _{DD} = 15Vdc, V _{SS} = 0Vdc Note 4 (Pins D/F 16-17-18-19-20-21-22-23) (Pins C 19-20-21-22-23-24-26-27)	2.4	-	mA
105 to 112	Output Drive Current N-Channel (Data Lines 'B' Parallel Outputs)	I _{OL4}	-	4(g)	V _{IN} ('A' Enable) = 15Vdc V _{IN} (P/S) = 15Vdc V _{IN} (A/B) = 0Vdc V _{IN} (A/S) = 15Vdc V _{IN} ('A' Data Lines) = 0Vdc V _{OUT} = 1.5Vdc V _{DD} = 15Vdc, V _{SS} = 0Vdc Note 4 (Pins D/F 1-2-3-4-5-6-7-8) (Pins C 1-2-3-5-6-7-8-9)	2.4	-	mA

NOTES: See Page 26.

**TABLE 3(a) - ELECTRICAL MEASUREMENTS AT HIGH TEMPERATURE, +125(+0 -5) °C (CONT'D)**

NO.	CHARACTERISTICS	SYMBOL	TEST METHOD MIL-STD 883	TEST FIG.	TEST CONDITIONS (PINS UNDER TEST D/F = DIP AND FP C = CCP)	LIMITS		UNIT
						MIN	MAX	
113 to 120	Output Drive Current P-Channel (Data Lines 'A' Parallel Outputs)	I_{OH1}	-	4(h)	V_{IN} ('A' Enable) = 5Vdc V_{IN} (P/S) = 5Vdc V_{IN} (A/B) = 0Vdc V_{IN} (A/S) = 0Vdc V_{IN} ('B' Data Lines) = 5Vdc V_{OUT} = 4.6Vdc V_{DD} = 5Vdc, V_{SS} = 0Vdc Note 4 (Pins D/F 16-17-18-19-20- 21-22-23) (Pins C 19-20-21-22-23-24- 26-27)	-0.36	-	mA
121 to 128	Output Drive Current P-Channel (Data Lines 'B' Parallel Outputs)	I_{OH2}	-	4(h)	V_{IN} ('A' Enable) = 5Vdc V_{IN} (P/S) = 5Vdc V_{IN} (A/B) = 0Vdc V_{IN} (A/S) = 5Vdc V_{IN} ('A' Data Lines) = 5Vdc V_{OUT} = 4.6Vdc V_{DD} = 5Vdc, V_{SS} = 0Vdc Note 4 (Pins D/F 1-2-3-4-5-6-7-8) (Pins C 1-2-3-5-6-7-8-9)	-0.36	-	mA
129 to 136	Output Drive Current P-Channel (Data Lines 'A' Parallel Outputs)	I_{OH3}	-	4(h)	V_{IN} ('A' Enable) = 15Vdc V_{IN} (P/S) = 15Vdc V_{IN} (A/B) = 0Vdc V_{IN} (A/S) = 0Vdc V_{IN} ('B' Data Lines) = 15Vdc V_{OUT} = 13.5Vdc V_{DD} = 15Vdc, V_{SS} = 0Vdc Note 4 (Pins D/F 16-17-18-19-20- 21-22-23) (Pins C 19-20-21-22-23-24- 26-27)	-2.4	-	mA
137 to 144	Output Drive Current P-Channel (Data Lines 'B' Parallel Outputs)	I_{OH4}	-	4(h)	V_{IN} ('A' Enable) = 15Vdc V_{IN} (P/S) = 15Vdc V_{IN} (A/B) = 0Vdc V_{IN} (A/S) = 15Vdc V_{IN} ('A' Data Lines) = 15Vdc V_{OUT} = 13.5Vdc V_{DD} = 15Vdc, V_{SS} = 0Vdc Note 4 (Pins D/F 1-2-3-4-5-6-7-8) (Pins C 1-2-3-5-6-7-8-9)	-2.4	-	mA

NOTES: See Page 26.

**TABLE 3(a) - ELECTRICAL MEASUREMENTS AT HIGH TEMPERATURE, +125(+0 -5) °C (CONT'D)**

NO.	CHARACTERISTICS	SYMBOL	TEST METHOD MIL-STD 883	TEST FIG.	TEST CONDITIONS (PINS UNDER TEST D/F = DIP AND FP C = CCP)	LIMITS		UNIT
						MIN	MAX	
145	Input Voltage Low Level (Noise Immunity) (Functional Test)	V_{IL1}	-	4(a)	$V_{IL} = 1.5V_{dc}$ $V_{IH} = 3.5V_{dc}$ $V_{DD} = 5V_{dc}, V_{SS} = 0V_{dc}$ Note 5 (Pins D/F 1-2-3-4-5-6-7-8- 16-17-18-19-20-21-22-23) (Pins C 1-2-3-5-6-7-8-9- 19-20-21-22-23-24-26-27)	4.5	-	V
	Input Voltage High Level (Noise Immunity) (Functional Test)	V_{IH1}	-			-	0.5	
146	Input Voltage Low Level (Noise Immunity) (Functional Test)	V_{IL2}	-	4(a)	$V_{IL} = 4V_{dc}$ $V_{IH} = 11V_{dc}$ $V_{DD} = 15V_{dc}, V_{SS} = 0V_{dc}$ Note 5 (Pins D/F 1-2-3-4-5-6-7-8- 16-17-18-19-20-21-22-23) (Pins C 1-2-3-5-6-7-8-9- 19-20-21-22-23-24-26-27)	13.5	-	V
	Input Voltage High Level (Noise Immunity) (Functional Test)	V_{IH2}	-			-	1.5	
147	Threshold Voltage N-Channel	V_{THN}	-	4(i)	A/S Input at Ground All Other Inputs: $V_{IN} = 5V_{dc}$ $V_{DD} = 5V_{dc}, I_{SS} = -10\mu A$ (Pin D/F 12) (Pin C 14)	-0.3	-3.5	V
148	Threshold Voltage P-Channel	V_{THP}	-	4(j)	A/S Input at Ground All Other Inputs: $V_{IN} = -5V_{dc}$ $V_{SS} = -5V_{dc}, I_{DD} = 10\mu A$ (Pin D/F 24) (Pin C 28)	0.3	3.5	V

NOTES: See Page 26.

**TABLE 3(b) - ELECTRICAL MEASUREMENTS AT LOW TEMPERATURE, -55(+ 5 -0) °C**

NO.	CHARACTERISTICS	SYMBOL	TEST METHOD MIL-STD 883	TEST FIG.	TEST CONDITIONS (PINS UNDER TEST D/F = DIP AND FP C = CCP)	LIMITS		UNIT
						MIN	MAX	
1	Functional Test	-	-	4(a)	Verify Truth Table without Load. $V_{DD} = 3V_{dc}$, $V_{SS} = 0V_{dc}$ Notes 1 and 2	-	-	-
2	Functional Test	-	-	4(a)	Verify Truth Table without Load. $V_{DD} = 15V_{dc}$, $V_{SS} = 0V_{dc}$ Notes 1 and 2	-	-	-
3 to 4	Quiescent Current	I_{DD}	3005	4(b)	$V_{IL} = 0V_{dc}$, $V_{IH} = 15V_{dc}$ $V_{DD} = 15V_{dc}$, $V_{SS} = 0V_{dc}$ (Pin D/F 24) (Pin C 28)	-	500	nA
5 to 10	Input Current Low Level	I_{IL1}	3009	4(c)	V_{IN} (Under Test) = $0V_{dc}$ V_{IN} (Other Inputs) = $15V_{dc}$ $V_{DD} = 15V_{dc}$, $V_{SS} = 0V_{dc}$ (Pins D/F 9-10-11-13-14-15) (Pins C 10-12-13-15-16-17)	-	-50	nA
11 to 16	Input Current High Level	I_{IH1}	3010	4(d)	V_{IN} (Under Test) = $15V_{dc}$ V_{IN} (Other Inputs) = $0V_{dc}$ $V_{DD} = 15V_{dc}$, $V_{SS} = 0V_{dc}$ (Pins D/F 9-10-11-13-14-15) (Pins C 10-12-13-15-16-17)	-	50	nA
17 to 32	Input Current Low Level (A or B Lines)	I_{IL2}	3009	4(c)	V_{IN} (Under Test) = $0V_{dc}$ V_{IN} (Other Inputs) = $15V_{dc}$ $V_{DD} = 15V_{dc}$, $V_{SS} = 0V_{dc}$ Note 3 (Pins D/F 1-2-3-4-5-6-7-8-16-17-18-19-20-21-22-23) (Pins C 1-2-3-5-6-7-8-9-19-20-21-22-23-24-26-27)	-	-400	nA
33 to 48	Input Current High Level (A or B Lines)	I_{IH2}	3010	4(d)	V_{IN} (Under Test) = $15V_{dc}$ V_{IN} (Other Inputs) = $0V_{dc}$ $V_{DD} = 15V_{dc}$, $V_{SS} = 0V_{dc}$ Note 3 (Pins D/F 1-2-3-4-5-6-7-8-16-17-18-19-20-21-22-23) (Pins C 1-2-3-5-6-7-8-9-19-20-21-22-23-24-26-27)	-	400	nA

NOTES: See Page 26.



TABLE 3(b) - ELECTRICAL MEASUREMENTS AT LOW TEMPERATURE, -55(+5 -0) °C (CONT'D)

NO.	CHARACTERISTICS	SYMBOL	TEST METHOD MIL-STD 883	TEST FIG.	TEST CONDITIONS (PINS UNDER TEST D/F = DIP AND FP C = CCP)	LIMITS		UNIT
						MIN	MAX	
49 to 56	Output Voltage Low Level (Data Lines 'A' Parallel Outputs)	V _{OL1}	3007	4(e)	V _{IN} ('A' Enable) = 15Vdc V _{IN} (P/S) = 15Vdc V _{IN} (A/B) = 0Vdc V _{IN} (A/S) = 0Vdc V _{IN} ('B' Data Lines) = 0Vdc V _{OUT} = Open V _{DD} = 15Vdc, V _{SS} = 0Vdc (Pins D/F 16-17-18-19-20-21-22-23) (Pins C 19-20-21-22-23-24-26-27)	-	0.05	V
57 to 64	Output Voltage Low Level (Data Lines 'B' Parallel Outputs)	V _{OL2}	3007	4(e)	V _{IN} ('A' Enable) = 15Vdc V _{IN} (P/S) = 15Vdc V _{IN} (A/B) = 0Vdc V _{IN} (A/S) = 15Vdc V _{IN} ('A' Data Lines) = 0Vdc V _{OUT} = Open V _{DD} = 15Vdc, V _{SS} = 0Vdc (Pins D/F 1-2-3-4-5-6-7-8) (Pins C 1-2-3-5-6-7-8-9)	-	0.05	V
65 to 72	Output Voltage High Level (Data Lines 'A' Parallel Outputs)	V _{OH1}	3006	4(f)	V _{IN} ('A' Enable) = 15Vdc V _{IN} (P/S) = 15Vdc V _{IN} (A/B) = 0Vdc V _{IN} (A/S) = 0Vdc V _{IN} ('B' Data Lines) = 15Vdc V _{OUT} = Open V _{DD} = 15Vdc, V _{SS} = 0Vdc (Pins D/F 16-17-18-19-20-21-22-23) (Pins C 19-20-21-22-23-24-26-27)	14.95	-	V
73 to 80	Output Voltage High Level (Data Lines 'B' Parallel Outputs)	V _{OH2}	3006	4(f)	V _{IN} ('A' Enable) = 15Vdc V _{IN} (P/S) = 15Vdc V _{IN} (A/B) = 0Vdc V _{IN} (A/S) = 15Vdc V _{IN} ('A' Data Lines) = 15Vdc V _{OUT} = Open V _{DD} = 15Vdc, V _{SS} = 0Vdc (Pins D/F 1-2-3-4-5-6-7-8) (Pins C 1-2-3-5-6-7-8-9)	14.95	-	V

NOTES: See Page 26.



TABLE 3(b) - ELECTRICAL MEASUREMENTS AT LOW TEMPERATURE, -55(+5 -0) °C (CONT'D)

NO.	CHARACTERISTICS	SYMBOL	TEST METHOD MIL-STD 883	TEST FIG.	TEST CONDITIONS (PINS UNDER TEST D/F = DIP AND FP C = CCP)	LIMITS		UNIT
						MIN	MAX	
81 to 88	Output Drive Current N-Channel (Data Lines 'A' Parallel Outputs)	I _{OL1}	-	4(g)	V _{IN} ('A' Enable) = 5Vdc V _{IN} (P/S) = 5Vdc V _{IN} (A/B) = 0Vdc V _{IN} (A/S) = 0Vdc V _{IN} ('B' Data Lines) = 0Vdc V _{OUT} = 0.4Vdc V _{DD} = 5Vdc, V _{SS} = 0Vdc Note 4 (Pins D/F 16-17-18-19-20-21-22-23) (Pins C 19-20-21-22-23-24-26-27)	0.64	-	mA
89 to 96	Output Drive Current N-Channel (Data Lines 'B' Parallel Outputs)	I _{OL2}	-	4(g)	V _{IN} ('A' Enable) = 5Vdc V _{IN} (P/S) = 5Vdc V _{IN} (A/B) = 0Vdc V _{IN} (A/S) = 5Vdc V _{IN} ('A' Data Lines) = 0Vdc V _{OUT} = 0.4Vdc V _{DD} = 5Vdc, V _{SS} = 0Vdc Note 4 (Pins D/F 1-2-3-4-5-6-7-8) (Pins C 1-2-3-5-6-7-8-9)	0.64	-	mA
97 to 104	Output Drive Current N-Channel (Data Lines 'A' Parallel Outputs)	I _{OL3}	-	4(g)	V _{IN} ('A' Enable) = 15Vdc V _{IN} (P/S) = 15Vdc V _{IN} (A/B) = 0Vdc V _{IN} (A/S) = 0Vdc V _{IN} ('B' Data Lines) = 0Vdc V _{OUT} = 1.5Vdc V _{DD} = 15Vdc, V _{SS} = 0Vdc Note 4 (Pins D/F 16-17-18-19-20-21-22-23) (Pins C 19-20-21-22-23-24-26-27)	4.2	-	mA
105 to 112	Output Drive Current N-Channel (Data Lines 'B' Parallel Outputs)	I _{OL4}	-	4(g)	V _{IN} ('A' Enable) = 15Vdc V _{IN} (P/S) = 15Vdc V _{IN} (A/B) = 0Vdc V _{IN} (A/S) = 15Vdc V _{IN} ('A' Data Lines) = 0Vdc V _{OUT} = 1.5Vdc V _{DD} = 15Vdc, V _{SS} = 0Vdc Note 4 (Pins D/F 1-2-3-4-5-6-7-8) (Pins C 1-2-3-5-6-7-8-9)	4.2	-	mA

NOTES: See Page 26.

**TABLE 3(b) - ELECTRICAL MEASUREMENTS AT LOW TEMPERATURE, -55(+ 5 -0) °C (CONT'D)**

NO.	CHARACTERISTICS	SYMBOL	TEST METHOD MIL-STD 883	TEST FIG.	TEST CONDITIONS (PINS UNDER TEST D/F = DIP AND FP C = CCP)	LIMITS		UNIT
						MIN	MAX	
113 to 120	Output Drive Current P-Channel (Data Lines 'A' Parallel Outputs)	I _{OH1}	-	4(h)	V _{IN} ('A' Enable) = 5Vdc V _{IN} (P/S) = 5Vdc V _{IN} (A/B) = 0Vdc V _{IN} (A/S) = 0Vdc V _{IN} ('B' Data Lines) = 5Vdc V _{OUT} = 4.6Vdc V _{DD} = 5Vdc, V _{SS} = 0Vdc Note 4 (Pins D/F 16-17-18-19-20- 21-22-23) (Pins C 19-20-21-22-23-24- 26-27)	-0.64	-	mA
121 to 128	Output Drive Current P-Channel (Data Lines 'B' Parallel Outputs)	I _{OH2}	-	4(h)	V _{IN} ('A' Enable) = 5Vdc V _{IN} (P/S) = 5Vdc V _{IN} (A/B) = 0Vdc V _{IN} (A/S) = 5Vdc V _{IN} ('A' Data Lines) = 5Vdc V _{OUT} = 4.6Vdc V _{DD} = 5Vdc, V _{SS} = 0Vdc Note 4 (Pins D/F 1-2-3-4-5-6-7-8) (Pins C 1-2-3-5-6-7-8-9)	-0.64	-	mA
129 to 136	Output Drive Current P-Channel (Data Lines 'A' Parallel Outputs)	I _{OH3}	-	4(h)	V _{IN} ('A' Enable) = 15Vdc V _{IN} (P/S) = 15Vdc V _{IN} (A/B) = 0Vdc V _{IN} (A/S) = 0Vdc V _{IN} ('B' Data Lines) = 15Vdc V _{OUT} = 13.5Vdc V _{DD} = 15Vdc, V _{SS} = 0Vdc Note 4 (Pins D/F 16-17-18-19-20- 21-22-23) (Pins C 19-20-21-22-23-24- 26-27)	-4.2	-	mA
137 to 144	Output Drive Current P-Channel (Data Lines 'B' Parallel Outputs)	I _{OH4}	-	4(h)	V _{IN} ('A' Enable) = 15Vdc V _{IN} (P/S) = 15Vdc V _{IN} (A/B) = 0Vdc V _{IN} (A/S) = 15Vdc V _{IN} ('A' Data Lines) = 15Vdc V _{OUT} = 13.5Vdc V _{DD} = 15Vdc, V _{SS} = 0Vdc Note 4 (Pins D/F 1-2-3-4-5-6-7-8) (Pins C 1-2-3-5-6-7-8-9)	-4.2	-	mA

NOTES: See Page 26.



TABLE 3(b) - ELECTRICAL MEASUREMENTS AT LOW TEMPERATURE, -55(+5 -0) °C (CONT'D)

NO.	CHARACTERISTICS	SYMBOL	TEST METHOD MIL-STD 883	TEST FIG.	TEST CONDITIONS (PINS UNDER TEST D/F = DIP AND FP C = CCP)	LIMITS		UNIT
						MIN	MAX	
145	Input Voltage Low Level (Noise Immunity) (Functional Test)	V_{IL1}	-	4(a)	$V_{IL} = 1.5V_{dc}$ $V_{IH} = 3.5V_{dc}$ $V_{DD} = 5V_{dc}, V_{SS} = 0V_{dc}$ Note 5 (Pins D/F 1-2-3-4-5-6-7-8-16-17-18-19-20-21-22-23) (Pins C 1-2-3-5-6-7-8-9-19-20-21-22-23-24-26-27)	4.5	-	V
	Input Voltage High Level (Noise Immunity) (Functional Test)	V_{IH1}	-			-	0.5	
146	Input Voltage Low Level (Noise Immunity) (Functional Test)	V_{IL2}	-	4(a)	$V_{IL} = 4V_{dc}$ $V_{IH} = 11V_{dc}$ $V_{DD} = 15V_{dc}, V_{SS} = 0V_{dc}$ Note 5 (Pins D/F1-2-3-4-5-6-7-8-16-17-18-19-20-21-22-23) (Pins C 1-2-3-5-6-7-8-9-19-20-21-22-23-24-26-27)	13.5	-	V
	Input Voltage High Level (Noise Immunity) (Functional Test)	V_{IH2}	-			-	1.5	
147	Threshold Voltage N-Channel	V_{THN}	-	4(i)	A/S Input at Ground All Other Inputs: $V_{IN} = 5V_{dc}$ $V_{DD} = 5V_{dc}, I_{SS} = -10\mu A$ (Pin D/F 12) (Pin C 14)	-0.7	-3.5	V
148	Threshold Voltage P-Channel	V_{THP}	-	4(j)	A/S Input at Ground All Other Inputs: $V_{IN} = -5V_{dc}$ $V_{SS} = -5V_{dc}, I_{DD} = 10\mu A$ (Pin D/F 24) (Pin C 28)	0.7	3.5	V

NOTES: See Page 26.



FIGURE 4 - CIRCUITS FOR ELECTRICAL MEASUREMENTS (CONTINUED)

NOTES

1. Figure 4(a) illustrates one series of test patterns. Any other pattern series must be agreed with the Qualifying Space Agency and shall be included as an Appendix.
2. Logic Level Definitions: 1 = V_{IH} , = V_{DD} ; 0 = V_{IL} = V_{SS} ; X = Don't Care.

FIGURE 4(b) - QUIESCENT CURRENT

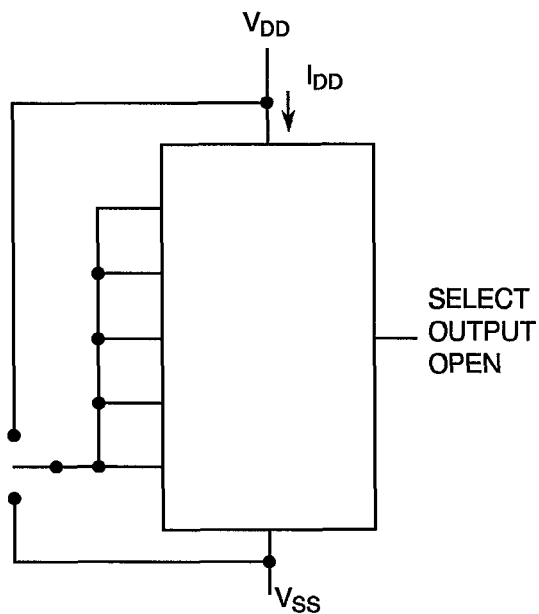
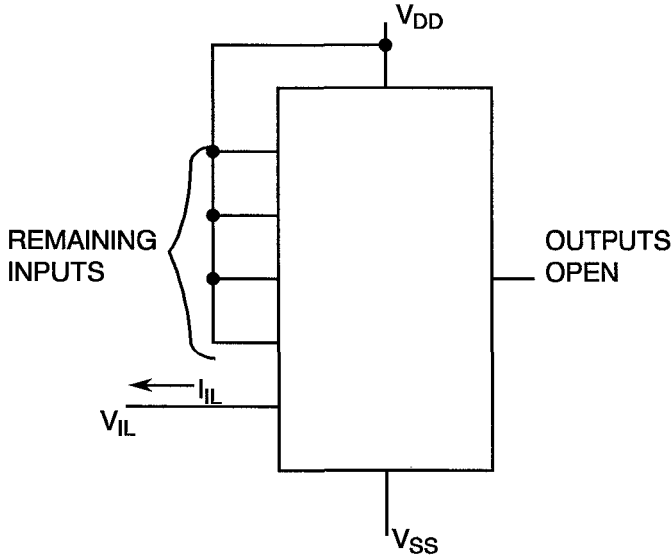




FIGURE 4 - CIRCUITS FOR ELECTRICAL MEASUREMENTS (CONTINUED)

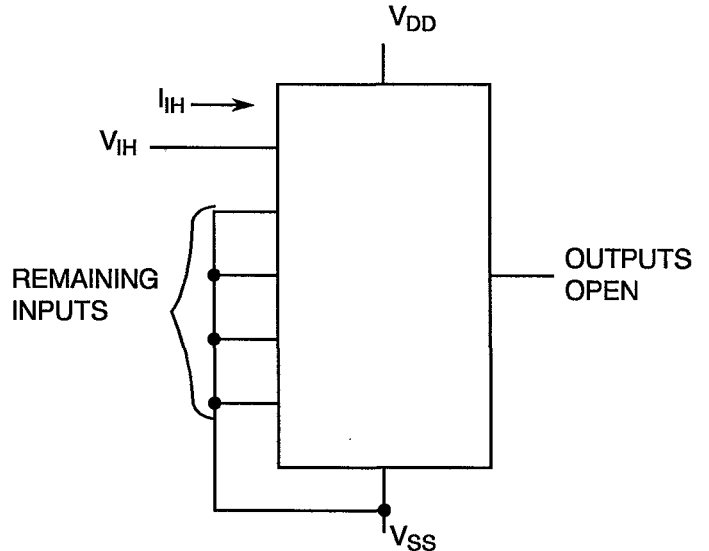
FIGURE 4(c) - LOW LEVEL INPUT CURRENT



NOTES

- 1. Each input to be tested separately.

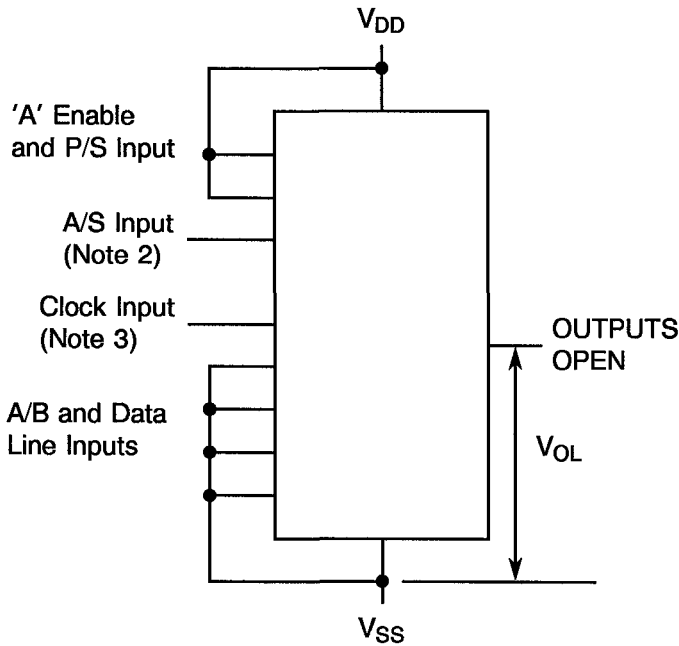
FIGURE 4(d) - HIGH LEVEL INPUT CURRENT



NOTES

- 1. Each input to be tested separately.

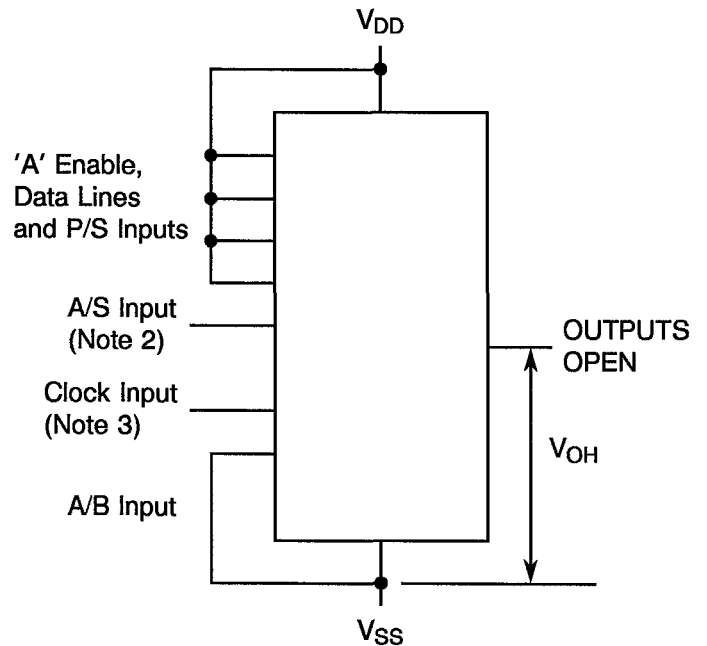
FIGURE 4(e) - LOW LEVEL OUTPUT VOLTAGE



NOTES

- 1. Each output to be tested separately.
- 2. A/S Input to VIL for data line 'A' output and to VIH for data line 'B' output.
- 3. Apply pulses 0Vdc to VDD Vdc to clock input until required output is obtained.

FIGURE 4(f) - HIGH LEVEL OUTPUT VOLTAGE



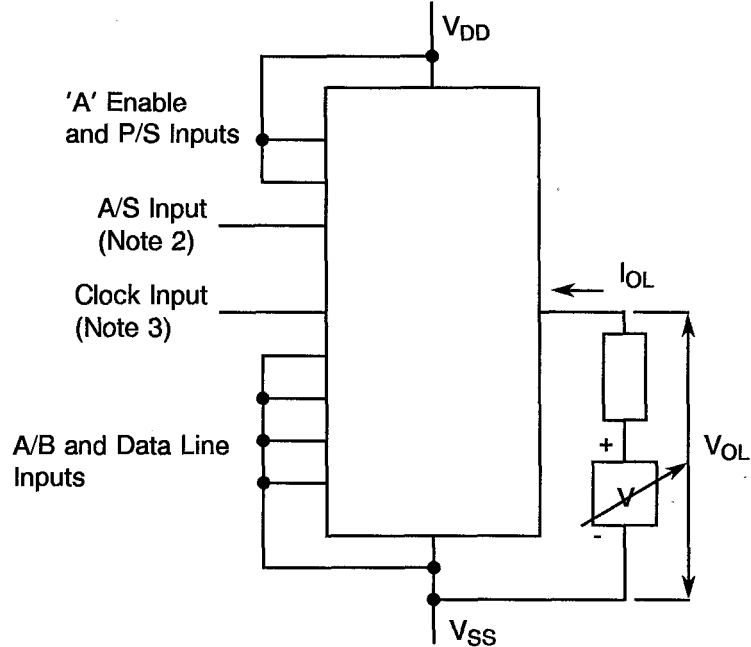
NOTES

- 1. Each output to be tested separately.
- 2. A/S Input to VIL for data line 'A' output and to VIH for data line 'B' output.
- 3. Apply pulses 0Vdc to VDD Vdc to clock input until required output is obtained.



FIGURE 4 - CIRCUITS FOR ELECTRICAL MEASUREMENTS (CONTINUED)

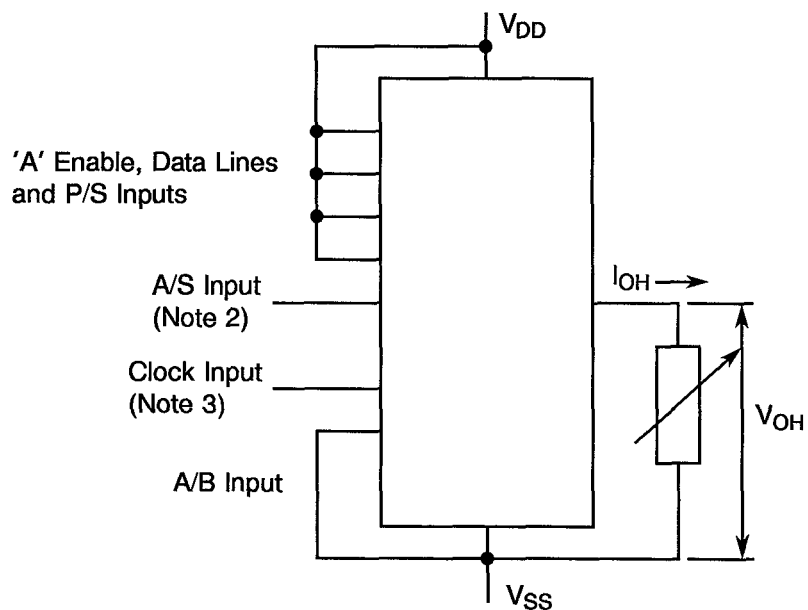
FIGURE 4(g) - LOW LEVEL OUTPUT CURRENT



NOTES

1. Each output to be tested separately.
2. A/S Input to V_{IL} for data lines 'A' output and to V_{IH} for data line 'B' output.
3. Apply pulses 0Vdc to V_{DD} Vdc to clock input until required output is obtained.

FIGURE 4(h) - HIGH LEVEL OUTPUT CURRENT



NOTES

1. Each output to be tested separately.
2. A/S Input to V_{IL} for data lines 'A' output and to V_{IH} for data lines 'B' output.
3. Apply pulses 0Vdc to V_{DD} Vdc to clock input until required output is obtained.



FIGURE 4 - CIRCUITS FOR ELECTRICAL MEASUREMENTS (CONTINUED)

FIGURE 4(i) - THRESHOLD VOLTAGE N-CHANNEL

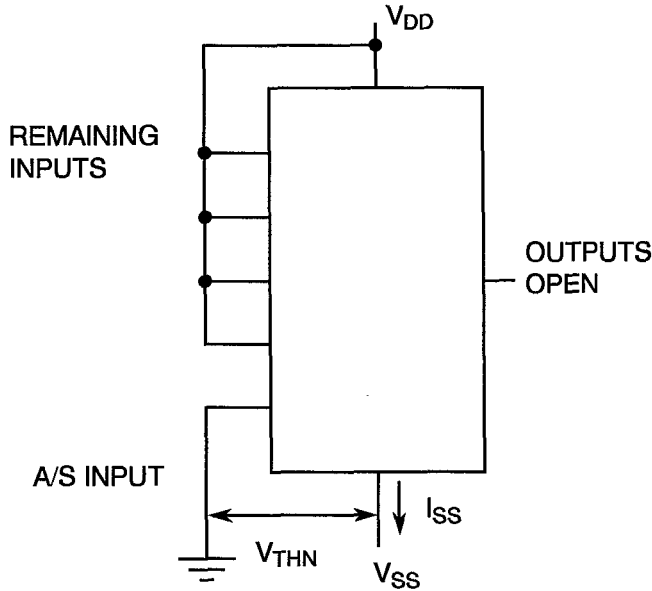


FIGURE 4(j) - THRESHOLD VOLTAGE P-CHANNEL

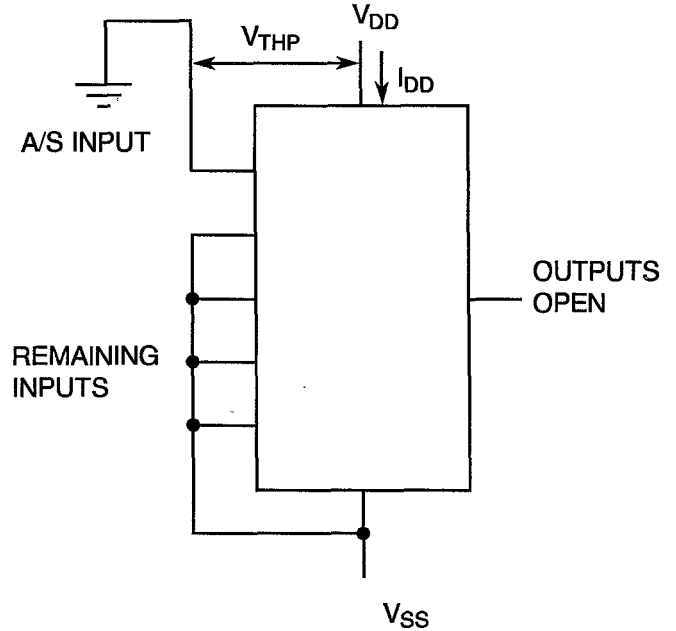
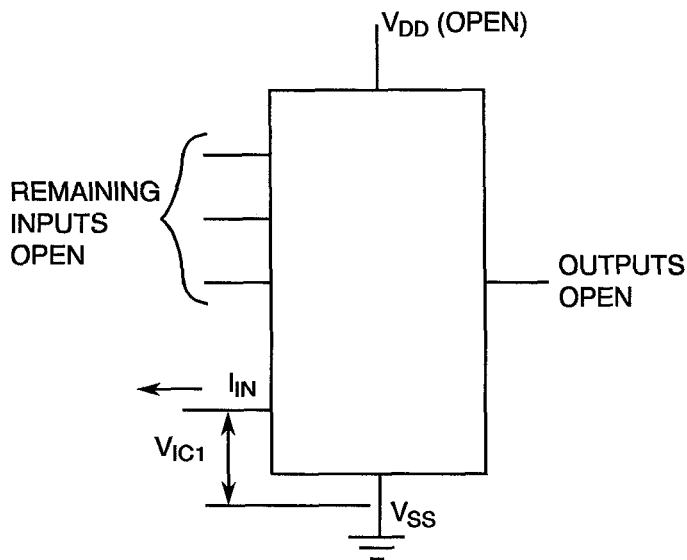


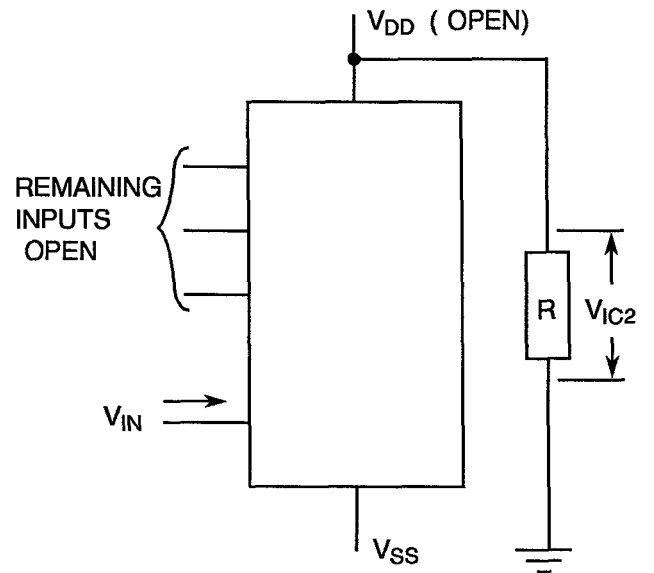
FIGURE 4(k) - INPUT CLAMP VOLTAGE (VSS)



NOTES

- 1. Each input to be tested separately.

FIGURE 4(l) - INPUT CLAMP VOLTAGE (VDD)



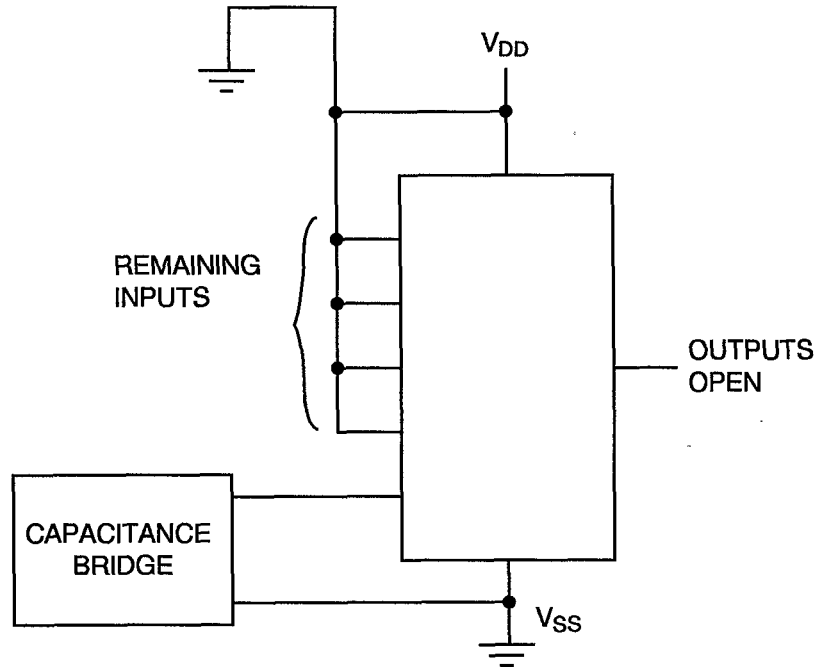
NOTES

- 1. Each input to be tested separately.



FIGURE 4 - CIRCUITS FOR ELECTRICAL MEASUREMENTS (CONTINUED)

FIGURE 4(m) - INPUT CAPACITANCE



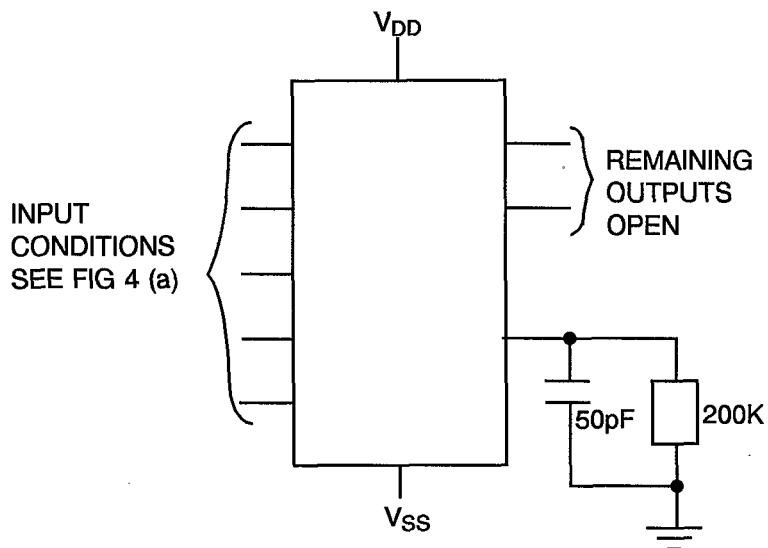
NOTES

1. Each input to be tested separately.
2. $f = 100\text{kHz}$ to 1MHz .

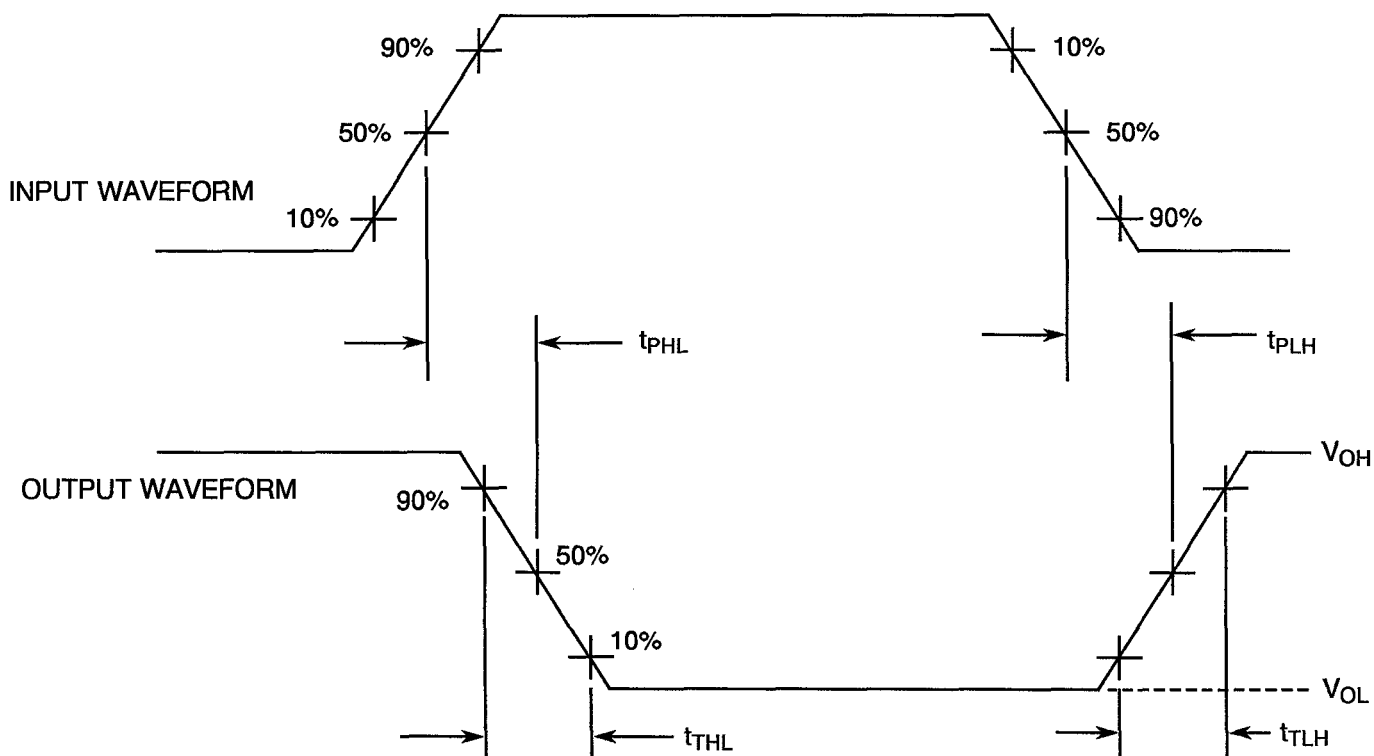


FIGURE 4 - CIRCUITS FOR ELECTRICAL MEASUREMENTS (CONTINUED)

FIGURE 4(n) - PROPAGATION DELAY AND TRANSITION TIME



VOLTAGE WAVEFORMS



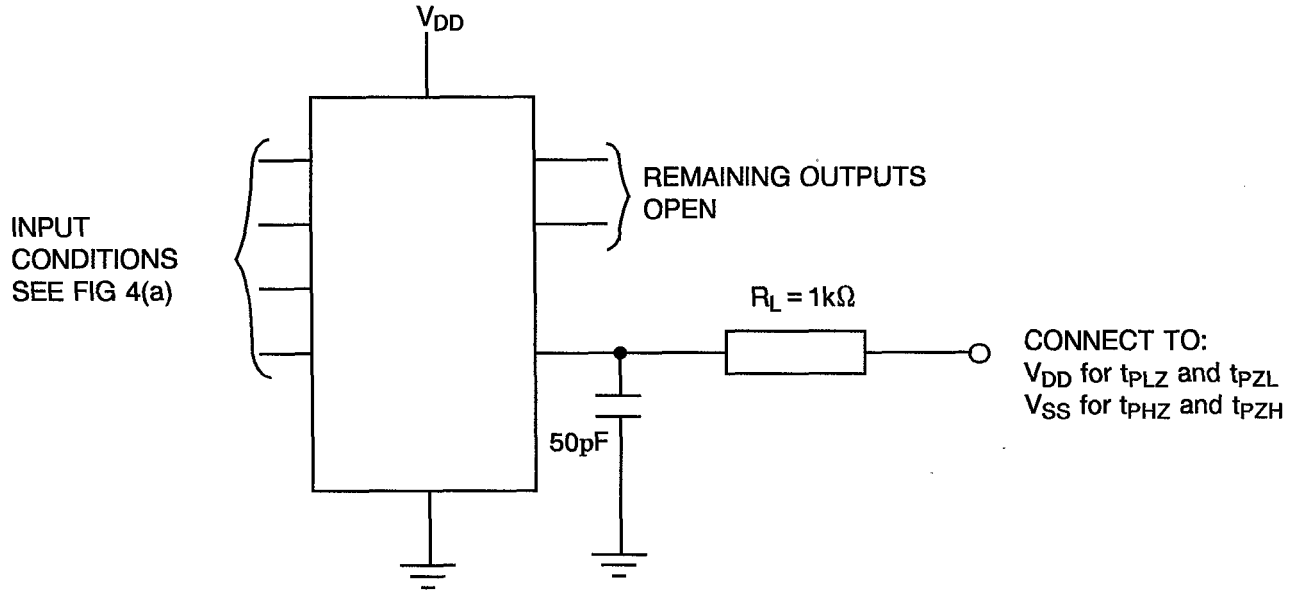
NOTES

1. Pulse Generator - $V_P = 0$ to V_{DD} , t_r and $t_f \leq 15ns$, $f = 500kHz$.

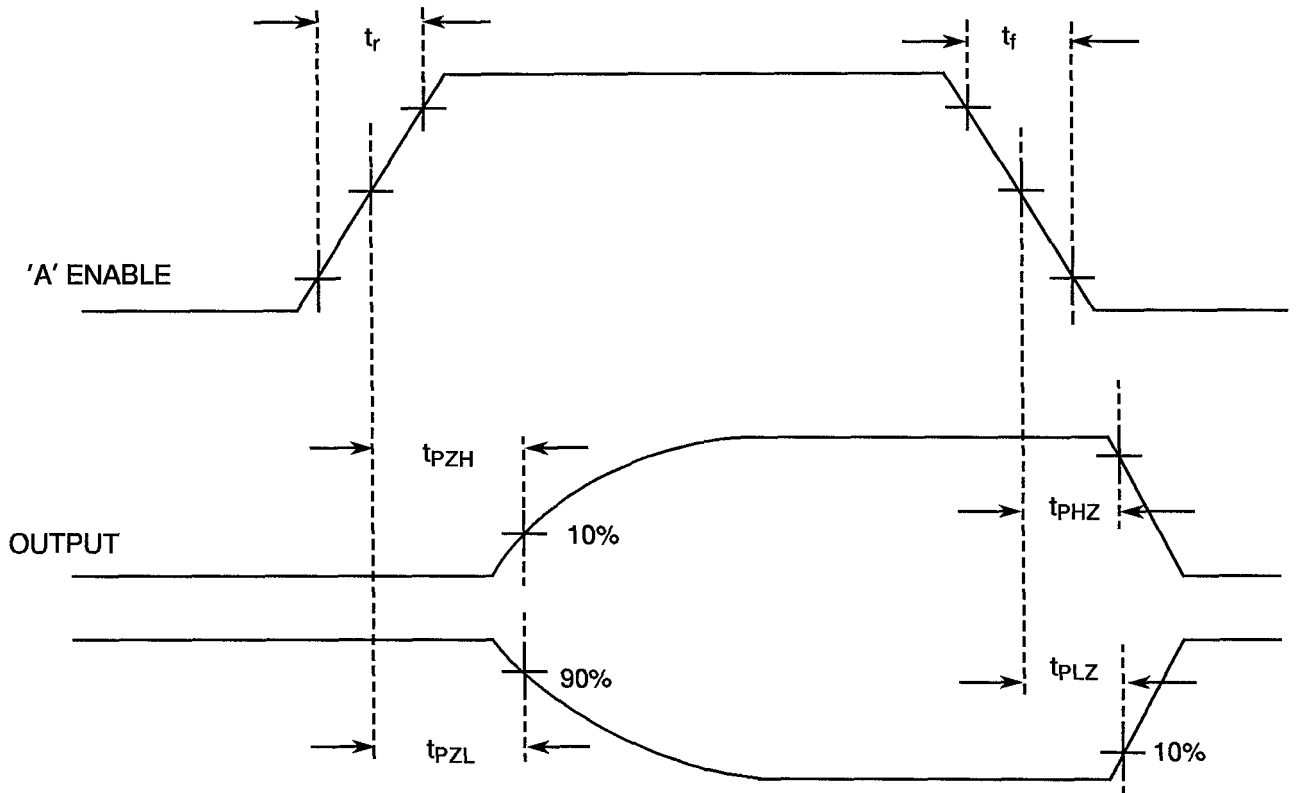


FIGURE 4 - CIRCUITS FOR ELECTRICAL MEASUREMENTS (CONTINUED)

FIGURE 4(o) - PROPAGATION DELAY OUTPUT TO HIGH IMPEDANCE



VOLTAGE WAVEFORMS



NOTES

1. Pulse Generator - $V_p = 0$ to V_{DD} , t_r and $t_f \leq 15$ ns, $f = 500$ kHz.

**TABLE 4 - PARAMETER DRIFT VALUES**

NO.	CHARACTERISTICS	SYMBOL	SPEC. AND/OR TEST METHOD	TEST CONDITIONS	CHANGE LIMITS (Δ)	UNIT
3 to 4	Quiescent Current	I_{DD}	As per Table 2	As per Table 2	± 75	nA
81 to 88	Output Drive Current N-Channel (Data Lines 'A' Parallel Outputs)	I_{OL1}	As per Table 2	As per Table 2	± 15 (1)	%
89 to 96	Output Drive Current N-Channel (Data Lines 'B' Parallel Outputs)	I_{OL2}	As per Table 2	As per Table 2	± 15 (1)	%
113 to 120	Output Drive Current P-Channel (Data Lines 'A' Parallel Outputs)	I_{OH1}	As per Table 2	As per Table 2	± 15 (1)	%
121 to 128	Output Drive Current P-Channel (Data Lines 'B' Parallel Outputs)	I_{OH2}	As per Table 2	As per Table 2	± 15 (1)	%
147	Threshold Voltage N-Channel	V_{THN}	As per Table 2	As per Table 2	± 0.3	V
148	Threshold Voltage P-Channel	V_{THP}	As per Table 2	As per Table 2	± 0.3	V

NOTES

1. Percentage of limit value if voltage is the measurement function.

**TABLE 5(a) - CONDITIONS FOR BURN-IN HIGH TEMPERATURE REVERSE BIAS, N-CHANNELS**

NO.	CHARACTERISTICS	SYMBOL	CONDITION	UNIT
1	Ambient Temperature	T _{amb}	+ 125 (+ 0 -5)	°C
2	Inputs - (Pins D/F 9-11-13-14-16-18-20-22) (Pins C 10-13-15-16-19-21-23-26)	V _{IN}	V _{DD}	Vdc
3	Inputs - (Pins D/F 10-15-17-19-21-23) (Pins C 12-17-20-22-24-27)	V _{IN}	Ground	Vdc
4	'B' Data Lines - (Pins D/F 1-2-3-4-5-6-7-8) (Pins C 1-2-3-5-6-7-8-9)	V _{IN}	Open	-
5	Positive Supply Voltage (Pin D/F 24) (Pin C 28)	V _{DD}	15	Vdc
6	Negative Supply Voltage (Pin D/F 12) (Pin C 14)	V _{SS}	Ground	Vdc

NOTES

1. Input Load = Protection Resistor = 2kΩ minimum to 47kΩ maximum.

TABLE 5(b) - CONDITIONS FOR BURN-IN HIGH TEMPERATURE REVERSE BIAS, P-CHANNELS

NO.	CHARACTERISTICS	SYMBOL	CONDITION	UNIT
1	Ambient Temperature	T _{amb}	+ 125 (+ 0 -5)	°C
2	Inputs - (Pins D/F 9-11-13-14-16-18-20-22) (Pins C 10-13-15-16-19-21-23-26)	V _{IN}	Ground	Vdc
3	Inputs - (Pins D/F 10-15-17-19-21-23) (Pins C 12-17-20-22-24-27)	V _{IN}	V _{DD}	Vdc
4	'B' Data Lines - (Pins D/F 1-2-3-4-5-6-7-8) (Pins C 1-2-3-5-6-7-8-9)	V _{IN}	Open	-
5	Positive Supply Voltage (Pin D/F 24) (Pin C 28)	V _{DD}	15	Vdc
6	Negative Supply Voltage (Pin D/F 12) (Pin C 14)	V _{SS}	Ground	Vdc

NOTES

1. Input Load = Protection Resistor = 2kΩ minimum to 47kΩ maximum.

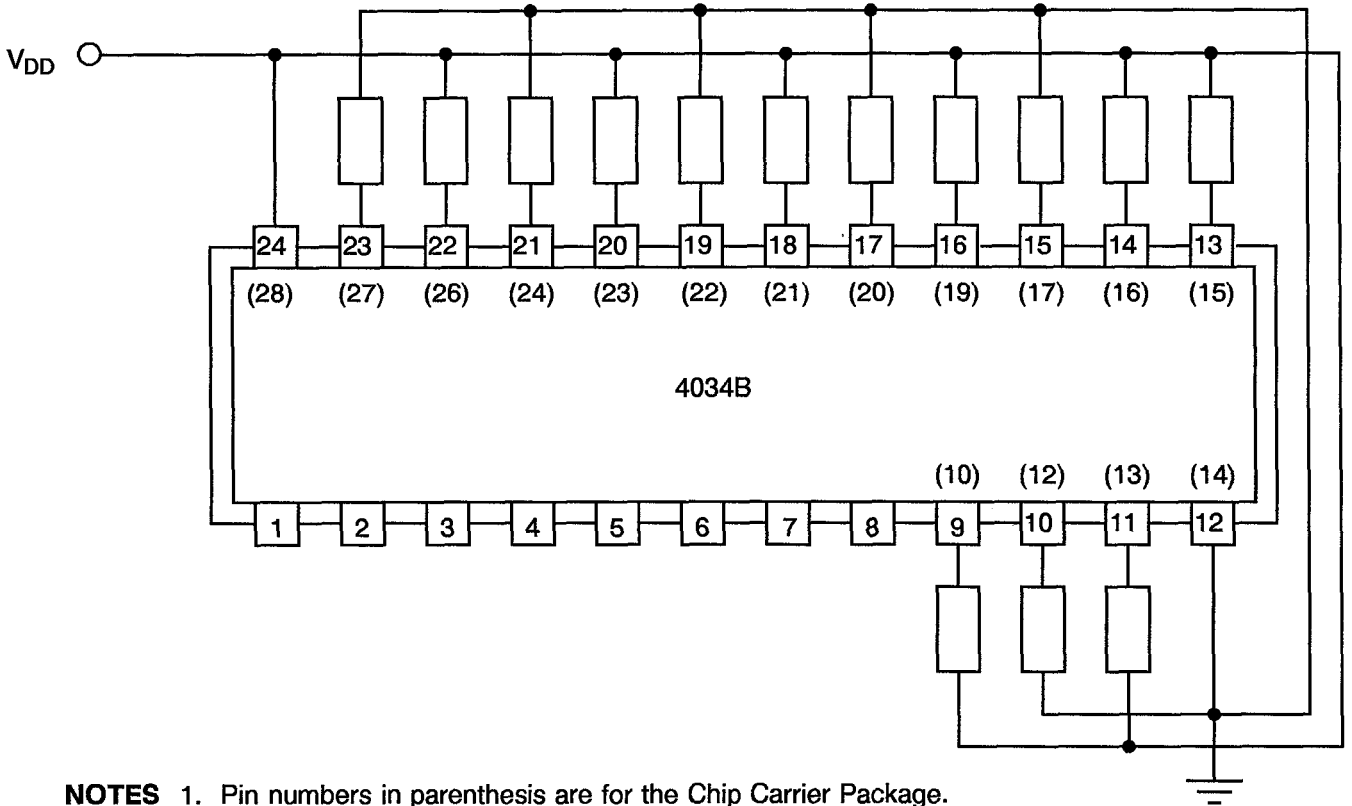
**TABLE 5(c) - CONDITIONS FOR BURN-IN DYNAMIC**

NO.	CHARACTERISTICS	SYMBOL	CONDITION	UNIT
1	Ambient Temperature	T_{amb}	+ 125 (+ 0-5)	°C
2	Input - (Pin D/F 11) (Pin C 13)	V_{IN}	V_{DD}	Vdc
3	Inputs - (Pins D/F 9-13-14) (Pins C 10-15-16)	V_{IN}	Ground	Vdc
4	'B' Data Lines - (Pins D/F 1-2-3-4-5-6-7-8) (Pins C 1-2-3-5-6-7-8-9)	V_{OUT}	$V_{DD}/2$	Vdc
5	'A' Data Lines - (Pins D/F 16-17-18-19-20-21-22-23) (Pins C 19-20-21-22-23-24-26-27)	V_{IN}	Open	-
6	Input - (Pin D/F 15) (Pin C 17)	V_{IN}	V_{GEN1}	Vac
7	Input - (Pin D/F 10) (Pin C 12)	V_{IN}	V_{GEN2}	Vac
8	Pulse Voltage	V_{GEN}	0V to V_{DD}	Vac
9	Pulse Frequency Square Wave	f V_{GEN2} V_{GEN1}	50k, 50% Duty Cycle 25k, 50% Duty Cycle	Hz
10	Positive Supply Voltage (Pin D/F 24) (Pin C 28)	V_{DD}	15	Vdc
11	Negative Supply Voltage (Pin D/F 12) (Pin C 14)	V_{SS}	Ground	Vdc

NOTES1. Input Load = Output Load = 2k Ω minimum to 47k Ω maximum.

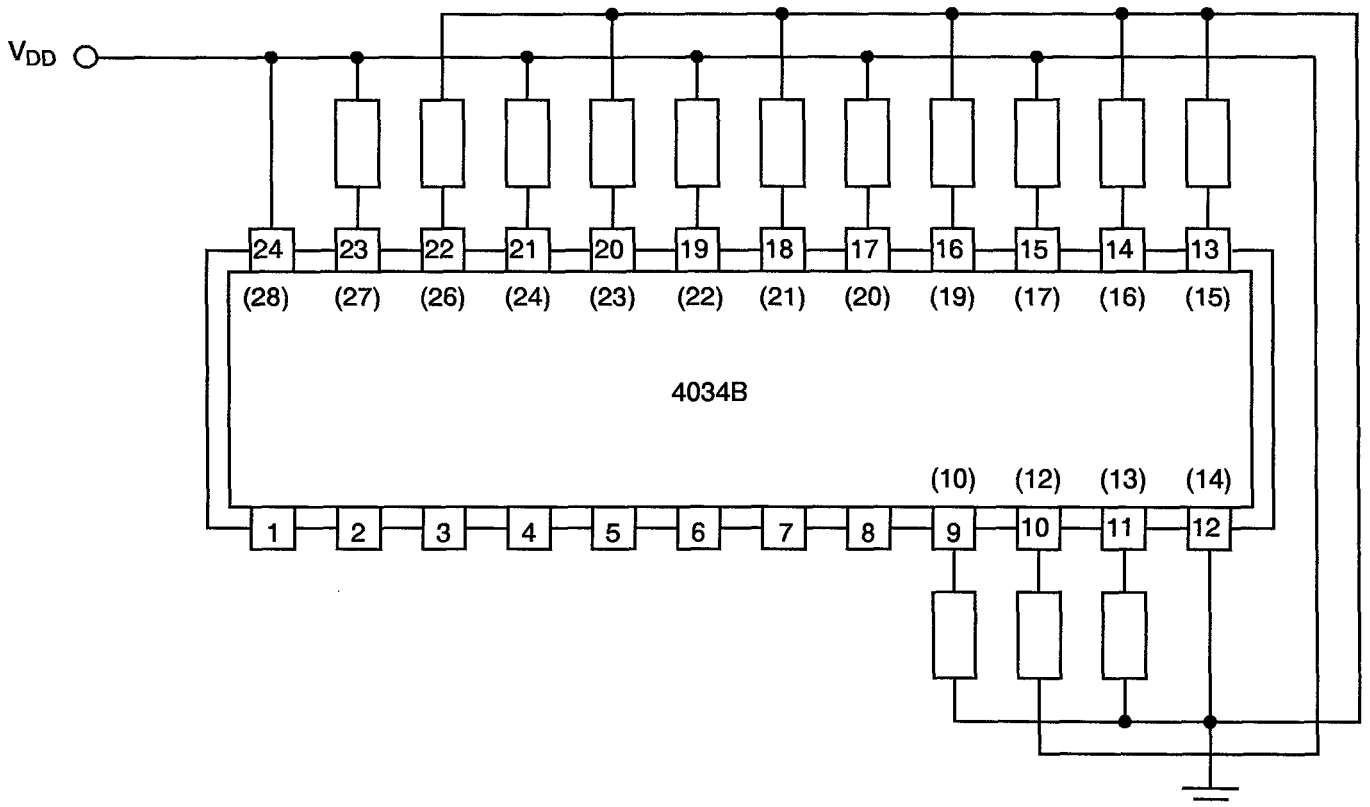


FIGURE 5(a) - ELECTRICAL CIRCUIT FOR BURN-IN HIGH TEMPERATURE REVERSE BIAS, N-CHANNELS



NOTES 1. Pin numbers in parenthesis are for the Chip Carrier Package.

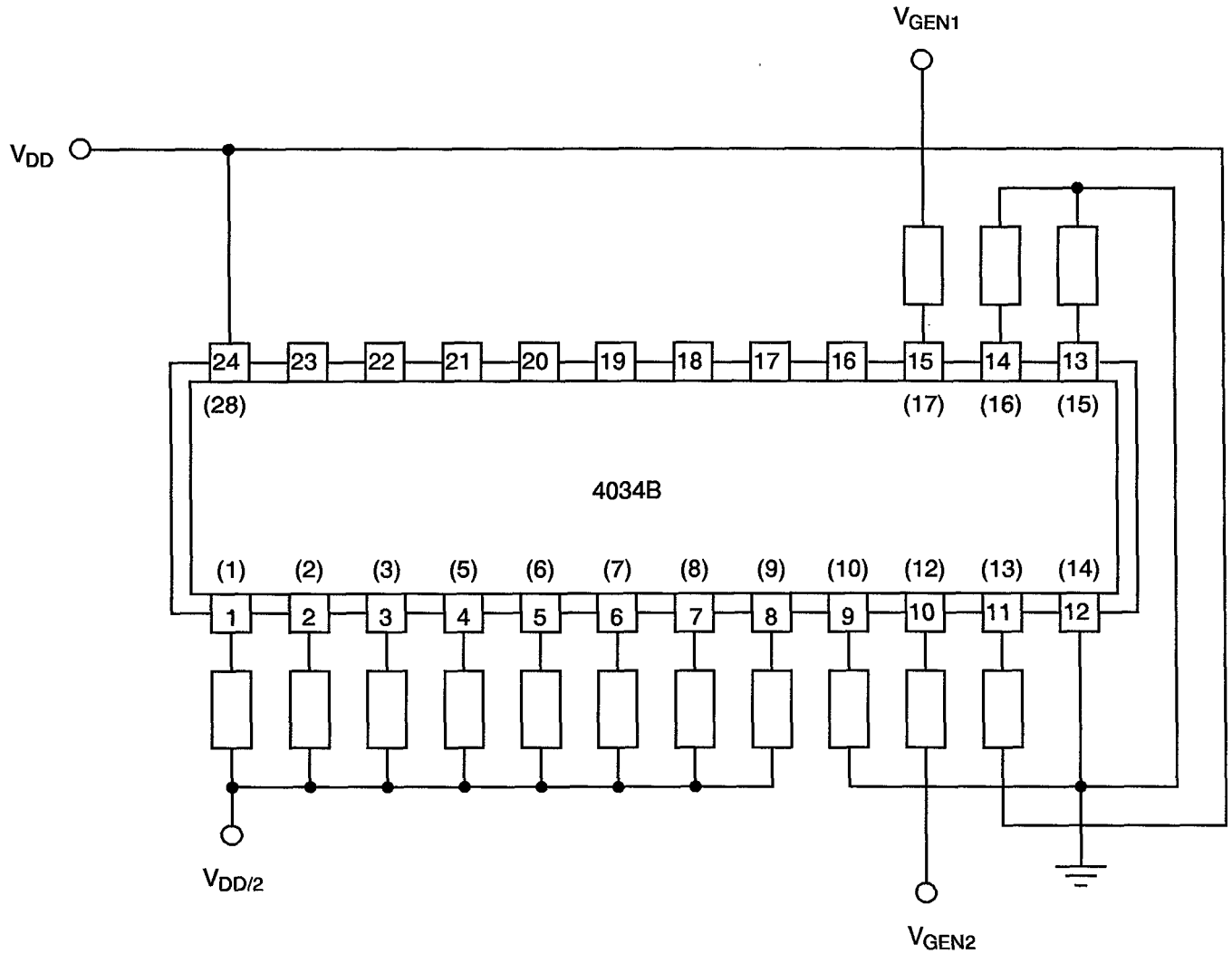
FIGURE 5(b) - ELECTRICAL CIRCUIT FOR BURN-IN HIGH TEMPERATURE REVERSE BIAS, P-CHANNELS



NOTES 1. Pin numbers in parenthesis are for the Chip Carrier Package.



FIGURE 5(c) - ELECTRICAL CIRCUIT FOR BURN-IN DYNAMIC



NOTES

1. Pin numbers in parenthesis are for the Chip Carrier Package.

**4.8 ENVIRONMENTAL AND ENDURANCE TESTS (CHARTS IV AND V OF ESA/SCC GENERIC SPECIFICATION NO. 9000)****4.8.1 Electrical Measurements on Completion of Environmental Tests**

The parameters to be measured on completion of environmental tests are scheduled in Table 6. Unless otherwise stated, the measurements shall be performed at $T_{amb} = +22 \pm 3$ °C.

4.8.2 Electrical Measurements at Intermediate Points during Endurance Tests

The parameters to be measured at intermediate points during endurance tests are as scheduled in Table 6 of this specification.

4.8.3 Electrical Measurements on Completion of Endurance Tests

The parameters to be measured on completion of endurance testing are as scheduled in Table 6 of this specification. Unless otherwise stated, the measurements shall be performed at $T_{amb} = +22 \pm 3$ °C.

4.8.4 Conditions for Operating Life Test

The requirements for operating life testing are specified in Section 9 of ESA/SCC Generic Specification No. 9000. The conditions for operating life testing shall be as specified in Table 5(c) of this specification.

4.8.5 Electrical Circuits for Operating Life Tests

Circuits for use in performing the operating life tests are shown in Figure 5(c) of this specification.

4.8.6 Conditions for High Temperature Storage Test

The requirements for the high temperature storage test are specified in ESA/SCC Generic Specification No. 9000. The temperature to be applied shall be the maximum storage temperature specified in Table 1(b) of this specification.

**TABLE 6 - ELECTRICAL MEASUREMENTS ON COMPLETION OF ENVIRONMENTAL TESTS AND AT INTERMEDIATE POINTS AND ON COMPLETION OF ENDURANCE TESTING**

NO	CHARACTERISTICS	SYMBOL	SPEC. AND/OR TEST METHOD	TEST CONDITIONS	CHANGE LIMITS (Δ)			UNIT
						MIN	MAX	
1	Functional Test	-	As per Table 2	As per Table 2	-	-	-	-
3 to 4	Quiescent Current	I_{DD}	As per Table 2	As per Table 2	± 75	-	-	nA
5 to 10	Input Current Low Level	I_{IL1}	As per Table 2	As per Table 2	-	-	-50	nA
11 to 16	Input Current High Level	I_{IH1}	As per Table 2	As per Table 2	-	-	50	nA
17 to 32	Input Current Low Level (A or B Lines)	I_{IL2}	As per Table 2	As per Table 2	-	-	-400	nA
33 to 48	Input Current High Level (A or B Lines)	I_{IH2}	As per Table 2	As per Table 2	-	-	400	nA
49 to 56	Output Voltage Low Level (Data Lines 'A' Parallel Outputs)	V_{OL1}	As per Table 2	As per Table 2	-	-	0.05	V
57 to 64	Output Voltage Low Level (Data Lines 'B' Parallel Outputs)	V_{OL2}	As per Table 2	As per Table 2	-	-	0.05	V
65 to 72	Output Voltage High Level (Data Lines 'A' Parallel Outputs)	V_{OH1}	As per Table 2	As per Table 2	-	14.95	-	V
73 to 80	Output Voltage High Level (Data Lines 'B' Parallel Outputs)	V_{OH2}	As per Table 2	As per Table 2	-	14.95	-	V
81 to 88	Output Drive Current to N-Channel (Data Lines 'A' Parallel Outputs)	I_{OL1}	As per Table 2	As per Table 2	± 15 (1)	-	-	%
89 to 96	Output Drive Current N-Channel (Data Lines 'B' Parallel Outputs)	I_{OL2}	As per Table 2	As per Table 2	± 15 (1)	-	-	%

NOTES

1. Percentage of limit value if voltage is the measurement function.

**TABLE 6 - ELECTRICAL MEASUREMENTS ON COMPLETION OF ENVIRONMENTAL TESTS AND AT INTERMEDIATE POINTS AND ON COMPLETION OF ENDURANCE TESTING (CONTINUED)**

NO	CHARACTERISTICS	SYMBOL	SPEC. AND/OR TEST METHOD	TEST CONDITIONS	CHANGE LIMITS (Δ)			UNIT
						MIN	MAX	
97 to 104	Output Drive Current N-Channel (Data Lines 'A' Parallel Outputs)	I_{OL3}	As per Table 2	As per Table 2	± 15 (1)	-	-	%
105 to 112	Output Drive Current N-Channel (Data Lines 'B' Parallel Outputs)	I_{OL4}	As per Table 2	As per Table 2	± 15 (1)	-	-	%
113 to 120	Output Drive Current P-Channel (Data Lines 'A' Parallel Outputs)	I_{OH1}	As per Table 2	As per Table 2	± 15 (1)	-	-	%
121 to 128	Output Drive Current P-Channel (Data Lines 'B' Parallel Outputs)	I_{OH2}	As per Table 2	As per Table 2	± 15 (1)	-	-	%
129 to 136	Output Drive Current P-Channel (Data Lines 'A' Parallel Outputs)	I_{OH3}	As per Table 2	As per Table 2	± 15 (1)	-	-	%
137 to 144	Output Drive Current P-Channel (Data Lines 'B' Parallel Outputs)	I_{OH4}	As per Table 2	As per Table 2	± 15 (1)	-	-	%
145	Input Voltage Low Level (Noise Immunity) (Functional Test)	V_{IL1}	As per Table 2	As per Table 2	-	4.5	-	V
	Input Voltage High Level (Noise Immunity) (Functional Test)	V_{IH1}			-	-	0.5	
147	Threshold Voltage N-Channel	V_{THN}	As per Table 2	As per Table 2	± 0.3	-	-	V
148	Threshold Voltage P-Channel	V_{THP}	As per Table 2	As per Table 2	± 0.3	-	-	V

NOTES

1. Percentage of limit value if voltage is the measurement function.



APPENDIX 'A'

AGREED DEVIATIONS FOR STMICROELECTRONICS (F)

ITEMS AFFECTED	DESCRIPTION OF DEVIATION
Para. 4.2.3	Para. 9.23, High Temperature Reverse Bias Burn-in: The temperature limits of MIL-STD-883, Para. 4.5.8(c) may be used. Para. 9.24, Power Burn-in: The temperature limits of MIL-STD-883, Para. 4.5.8(c) may be used.
Para. 4.2.4	Para. 9.21.1, Operating Life during Qualification Testing: The temperature limits of MIL-STD-883, Para. 4.5.8(c) may be used.
Para. 4.2.5	Para. 9.21.2, Operating Life during Lot Acceptance Testing: The temperature limits of MIL-STD-883, Para. 4.5.8(c) may be used.