



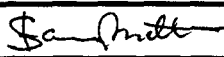
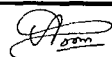
**european space agency
agence spatiale européenne**

Pages 1 to 48

**INTEGRATED CIRCUITS, SILICON MONOLITHIC,
CMOS RIPPLE-CARRY DECADE
COUNTER/DIVIDER,
BASED ON TYPE 4026B
ESA/SCC Detail Specification No. 9406/001**



**space components
coordination group**

Issue/Rev.	Date	Approved by	
		SCCG Chairman	ESA Director General or his Deputy
Issue 3	May 2001		

**DOCUMENTATION CHANGE NOTICE**

Rev. Letter	Rev. Date	Reference	CHANGE Item	Approved DCR No.
		This issue supersedes Issue 2 and incorporates all modifications defined in Revisions 'A', 'B' and 'C' to Issue 2 and the changes agreed in the following DCRs:-		
		Cover page		None
		DCN		None
		Para. 1.3	: New sentence added	221602
		Table 1(a)	: Variants 10 and 11 added	221565
		Table 1(b)	: No. 8, Maximum temperature amended	221602
		Figure 2(a)	: Side elevation corrected	221565
			: Dimension 'C' amended	221565
		Figure 2(c)	: In the drawing, Pin No. 20 location corrected	221550
		Figure 2(e)	: New page added	221565
		Notes to Figures	: Title amended	221565
		Figure 3(a)	: Left-hand Title amended	221565
			: "SO" added to comparison Titles	221565
		Para. 4.3.2	: SO package added to the text	221565
		Para. 4.4.2	: SO package added to the text	221565
		Para. 4.5.2	: SO package added to the text	221565
		Para. 4.8.6	: Last sentence deleted, new text added	221602
		Appendix 'A'	: Appendix added	221602

TABLE OF CONTENTS

	<u>Page</u>
1. <u>GENERAL</u>	5
1.1 Scope	5
1.2 Component Type Variants	5
1.3 Maximum Ratings	5
1.4 Parameter Derating Information	5
1.5 Physical Dimensions	5
1.6 Pin Assignment	5
1.7 Segment Address Table	5
1.8 Circuit Schematic	5
1.9 Functional Diagram	5
1.10 Handling Precautions	5
1.11 Input Protection Network	5
2. <u>APPLICABLE DOCUMENTS</u>	17
3. <u>TERMS, DEFINITIONS, ABBREVIATIONS, SYMBOLS AND UNITS</u>	17
4. <u>REQUIREMENTS</u>	17
4.1 General	17
4.2 Deviations from Generic Specification	17
4.2.1 Deviations from Special In-process Controls	17
4.2.2 Deviations from Final Production Tests	17
4.2.3 Deviations from Burn-in Tests	17
4.2.4 Deviations from Qualification Tests	17
4.2.5 Deviations from Lot Acceptance Tests	18
4.3 Mechanical Requirements	18
4.3.1 Dimension Check	18
4.3.2 Weight	18
4.4 Materials and Finishes	18
4.4.1 Case	18
4.4.2 Lead Material and Finish	18
4.5 Marking	18
4.5.1 General	18
4.5.2 Lead Identification	18
4.5.3 The SCC Component Number	19
4.5.4 Traceability Information	19
4.6 Electrical Measurements	19
4.6.1 Electrical Measurements at Room Temperature	19
4.6.2 Electrical Measurements at High and Low Temperatures	19
4.6.3 Circuits for Electrical Measurements	19
4.7 Burn-in Tests	19
4.7.1 Parameter Drift Values	19
4.7.2 Conditions for H.T.R.B. and Burn-in	19
4.7.3 Electrical Circuits for H.T.R.B. and Burn-in	19
4.8 Environmental and Endurance Tests	46
4.8.1 Electrical Measurements on Completion of Environmental Tests	46
4.8.2 Electrical Measurements at Intermediate Points during Endurance Tests	46
4.8.3 Electrical Measurements on Completion of Endurance Tests	46
4.8.4 Conditions for Operating Life Test	46
4.8.5 Electrical Circuits for Operating Life Tests	46
4.8.6 Conditions for High Temperature Storage Test	46

**TABLES**Page

1(a)	Type Variants	6
1(b)	Maximum Ratings	6
2	Electrical Measurements at Room Temperature, d.c. Parameters	20
	Electrical Measurements at Room Temperature, a.c. Parameters	24
3(a)	Electrical Measurements at High Temperature	27
3(b)	Electrical Measurements at Low Temperature	31
4	Parameter Drift Values	41
5(a)	Conditions for Burn-in High Temperature Reverse Bias, N-Channels	42
5(b)	Conditions for Burn-in High Temperature Reverse Bias, P-Channels	42
5(c)	Conditions for Burn-in Dynamic	43
6	Electrical Measurements on Completion of Environmental Tests and at Intermediate Points and on Completion of Endurance Testing.	47

FIGURES

1	Not applicable	
2	Physical Dimensions	7
3(a)	Pin Assignment	13
3(b)	Segment Address Table	14
3(c)	Circuit Schematic	15
3(d)	Functional Diagram	16
3(e)	Input Protection Network	16
4	Circuits for Electrical Measurements	35
5(a)	Electrical Circuit for Burn-in High Temperature Reverse Bias, N-Channels	44
5(b)	Electrical Circuit for Burn-in High Temperature Reverse Bias, P-Channels	44
5(c)	Electrical Circuit for Burn-in Dynamic	45

APPENDICES (Applicable to specific Manufacturers only)

'A'	Agreed Deviations for STMicroelectronics (F)	48
-----	--	----

**1. GENERAL****1.1 SCOPE**

This specification details the ratings, physical and electrical characteristics, test and inspection data for a silicon monolithic, CMOS Ripple-Carry Decade Counter/Divider, having fully buffered outputs, based on Type 4026B. It shall be read in conjunction with ESA/SCC Generic Specification No. 9000, the requirements of which are supplemented herein.

1.2 COMPONENT TYPE VARIANTS

Variants of the basic type integrated circuits specified herein, which are also covered by this specification, are given in Table 1(a).

1.3 MAXIMUM RATINGS

The maximum ratings, which shall not be exceeded at any time during use or storage, applicable to the integrated circuits specified herein, are as scheduled in Table 1(b).

Maximum ratings shall only be exceeded during testing to the extent specified in this specification and when stipulated in Test Methods and Procedures of the applicable ESA/SCC Generic Specification.

1.4 PARAMETER DERATING INFORMATION (FIGURE 1)

Not applicable.

1.5 PHYSICAL DIMENSIONS

As per Figure 2.

1.6 PIN ASSIGNMENT

As per Figure 3(a).

1.7 SEGMENT ADDRESS TABLE

As per Figure 3(b).

1.8 CIRCUIT SCHEMATIC

As per Figure 3(c).

1.9 FUNCTIONAL DIAGRAM

As per Figure 3(d).

1.10 HANDLING PRECAUTIONS

These devices are susceptible to damage by electrostatic discharge. Therefore, suitable precautions shall be employed for protection during all phases of manufacture, testing, packaging, shipment and any handling. These components are Categorised as Class 1 with a Minimum Critical Path Failure Voltage of 400Volts.

1.11 INPUT PROTECTION NETWORK

Double diode protection shall be incorporated into each input as shown in Figure 3(e).



TABLE 1(a) - TYPE VARIANTS

VARIANT	CASE	FIGURE	LEAD MATERIAL AND/OR FINISH
01	FLAT	2(a)	G2 or G8
02	FLAT	2(a)	G4
03	D.I.L.	2(b)	G2 or G8
04	D.I.L.	2(b)	G4
07	CHIP CARRIER	2(c)	2
08	D.I.L.	2(d)	G2
09	D.I.L.	2(d)	G4
10	SO CERAMIC	2(e)	G2
11	SO CERAMIC	2(e)	G4

TABLE 1(b) - MAXIMUM RATINGS

NO.	CHARACTERISTICS	SYMBOL	MAXIMUM RATINGS	UNIT	REMARKS
1	Supply Voltage	V_{DD}	-0.5 to + 18	V	Note 1
2	Input Voltage	V_{IN}	-0.5 to $V_{DD} + 0.5$	V	Note 2 Power on
3	D.C. Input Current	$\pm I_{IN}$	10	mA	-
4	D.C. Output Current	$\pm I_{O}$	10	mA	Note 3
5	Device Dissipation	P_D	200	mWdc	Per Package
6	Output Dissipation	P_{DSO}	100	mWdc	Note 4
7	Operating Temperature Range	T_{op}	-55 to + 125	°C	-
8	Storage Temperature Range	T_{stg}	-65 to + 150	°C	-
9	Soldering Temperature For FP and DIP For CCP	T_{sol}	+ 300 + 245	°C	Note 5 Note 6

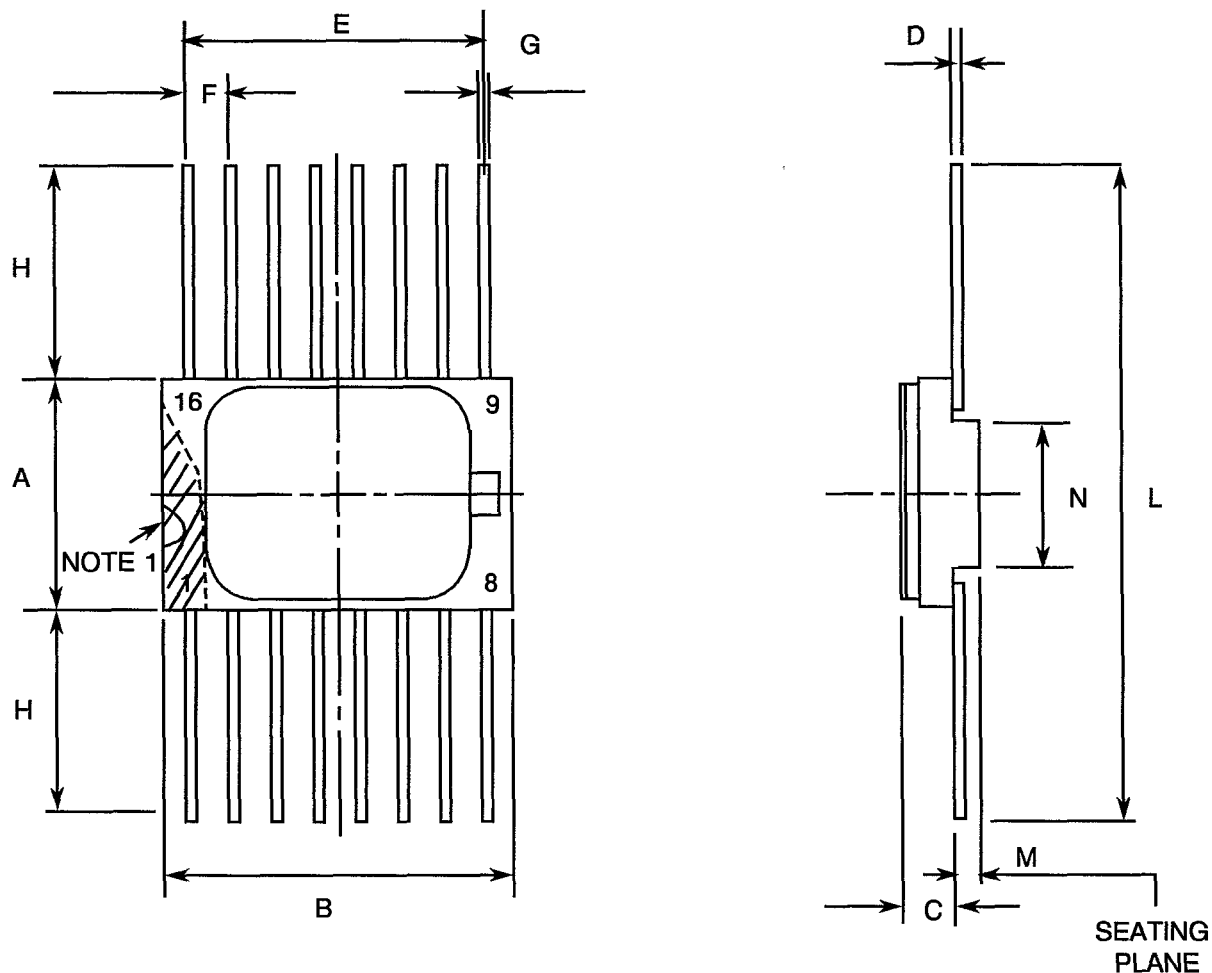
NOTES

- Device is functional from +3V to +15V with reference to V_{SS} .
- $V_{DD} + 0.5V$ should not exceed +18V.
- The maximum output current of any single output.
- The maximum power dissipation of any single output.
- Duration 10 seconds maximum at a distance of not less than 1.5mm from the device body and the same lead shall not be resoldered until 3 minutes have elapsed.
- Duration 30 seconds maximum and the same terminal shall not be resoldered until 3 minutes have elapsed.



FIGURE 2 - PHYSICAL DIMENSIONS

FIGURE 2(a) - FLAT PACKAGE, 16-PIN

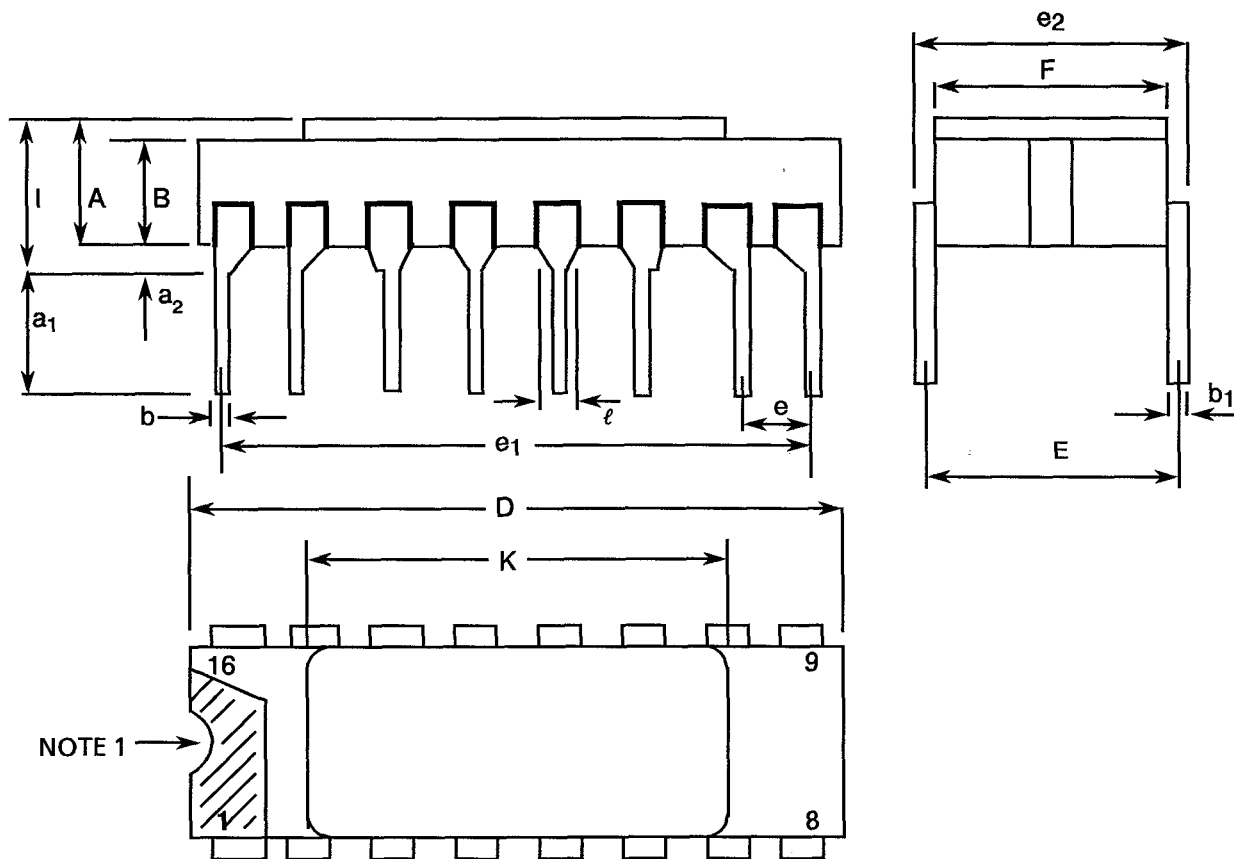


SYMBOL	MILLIMETRES		NOTES
	MIN	MAX	
A	6.75	7.06	
B	9.76	10.14	
C	1.49	1.95	
D	0.102	0.152	3
E	8.76	9.01	
F	1.27	TYPICAL	4
G	0.38	0.48	3
H	6.0	-	3
L	18.75	22.0	
M	0.33	0.43	
N	4.31	TYPICAL	

NOTES: See Page 12.

FIGURE 2 - PHYSICAL DIMENSIONS (CONTINUED)

FIGURE 2(b) - DUAL-IN-LINE PACKAGE, 16-PIN



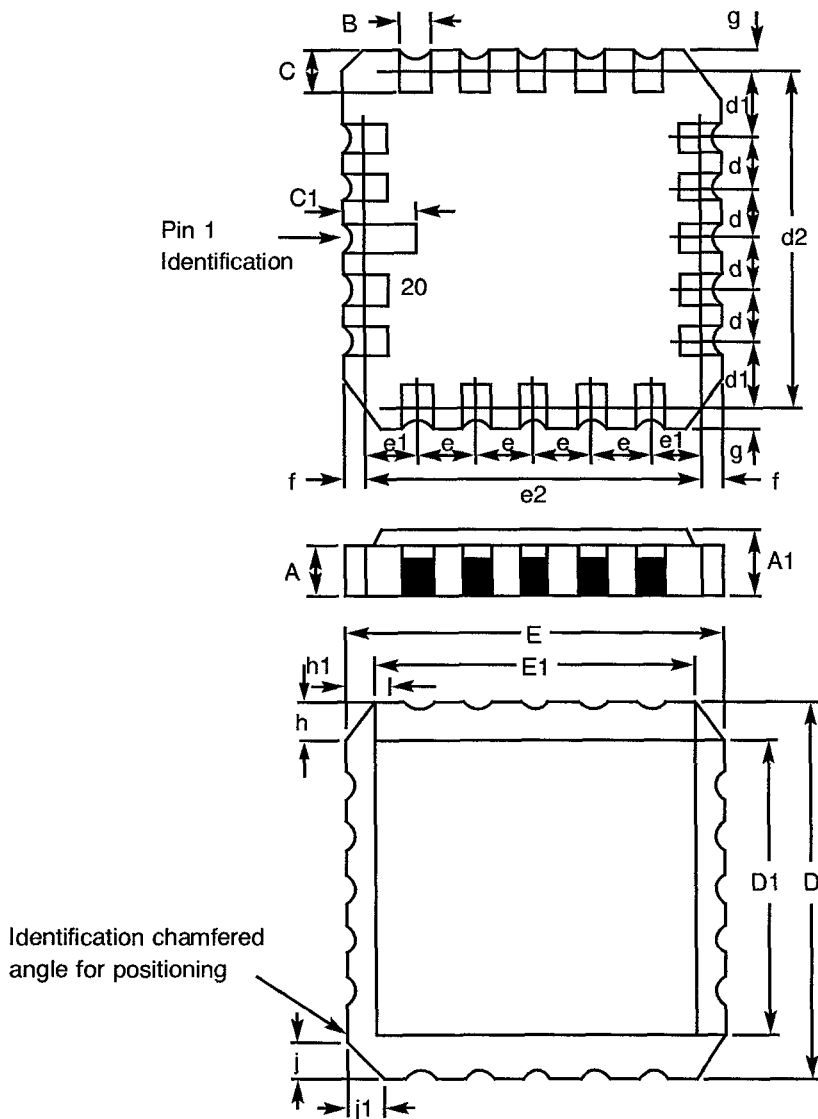
NOTE 1 →

SYMBOL	MILLIMETRES		NOTES
	MIN	MAX	
A	2.10	2.54	
a ₁	3.0	3.7	
a ₂	0.63	1.14	2
B	1.82	2.23	
b	0.40	0.50	3
b ₁	0.20	0.30	3
D	18.79	19.20	
E	7.36	7.87	
e	2.41	2.67	4
e ₁	17.65	17.90	
e ₂	7.62	8.12	
F	7.11	7.62	
l	-	3.70	
K	10.90	12.10	
ℓ	1.27 Typical		

NOTES: See Page 12.

FIGURE 2 - PHYSICAL DIMENSIONS (CONTINUED)

FIGURE 2(c) - CHIP CARRIER - 20-TERMINAL



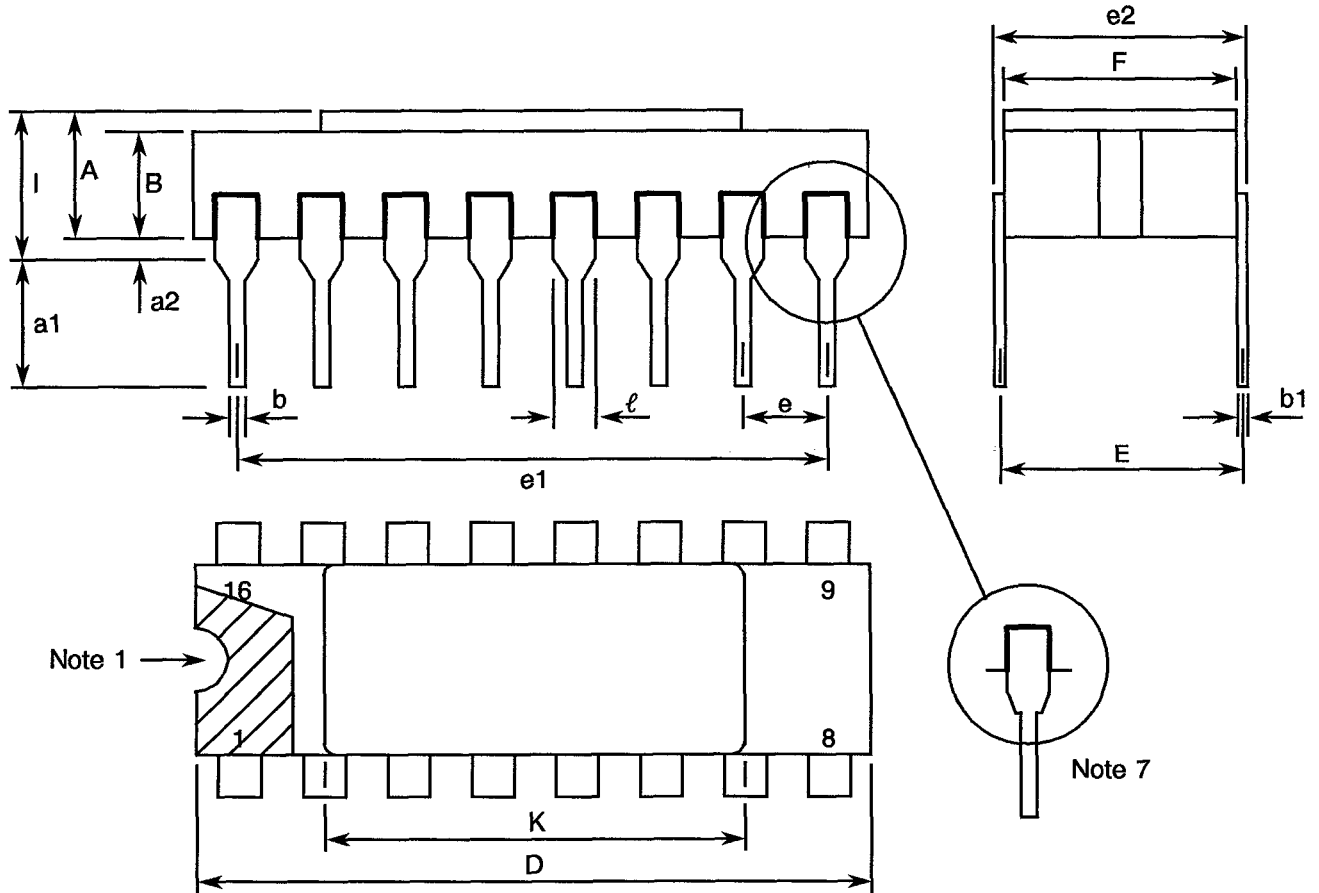
DIMENSIONS	MILLIMETRES		NOTES
	MIN	MAX	
A	1.14	1.95	
A1	1.63	2.36	
B	0.55	0.72	3
C	1.06	1.47	3
C ₁	1.91	2.41	
D	8.67	9.09	
D1	7.21	7.52	
d, d1	1.27	TYPICAL	4
d2	7.62	TYPICAL	
E	8.67	9.09	
E1	7.21	7.52	
e, e1	1.27	TYPICAL	4
e2	7.62	TYPICAL	
f, g	-	0.76	
h, h1	1.01	TYPICAL	6
j, j1	0.51	TYPICAL	5

NOTES: See Page 12.



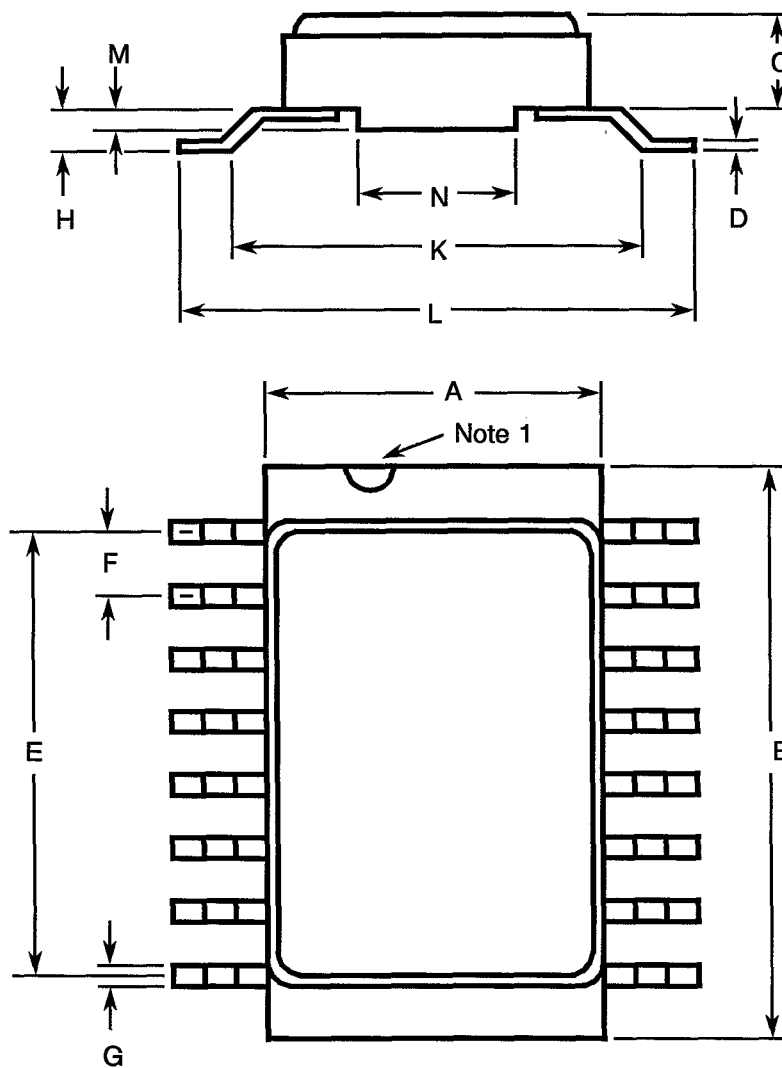
FIGURE 2 - PHYSICAL DIMENSIONS (CONTINUED)

FIGURE 2(d) - DUAL-IN-LINE PACKAGE, 16-PIN



SYMBOL	MILLIMETRES		NOTES
	MIN	MAX	
A	2.10	2.71	
a1	3.00	3.70	
a2	0.63	1.14	2
B	1.82	2.39	
b	0.40	0.50	3
b1	0.20	0.30	3
D	20.06	20.58	
E	7.36	7.87	
e	2.54 TYPICAL		4
e1	17.65	17.90	
e2	7.62	8.12	
F	7.29	7.70	
l	-	3.83	
K	10.90	12.10	
ℓ	1.14	1.50	

NOTES: See Page 12.

FIGURE 2 - PHYSICAL DIMENSIONS (CONTINUED)
FIGURE 2(e) - SMALL OUTLINE CERAMIC PACKAGE, 16-PIN


SYMBOL	MILLIMETRES		NOTES
	MIN.	MAX.	
A	6.75	7.06	
B	9.76	10.14	
C	1.49	1.95	
D	0.102	0.152	3
E	8.76	9.01	
F	1.27 TYPICAL		4
G	0.38	0.48	3
H	0.60	0.90	3
K	9.00 TYPICAL		
L	10	10.65	
M	0.33	0.43	
N	4.31 TYPICAL		

NOTES: See Page 12.



		ESA/SCC Detail Specification No. 9406/001		PAGE 12 ISSUE 3
--	--	--	--	--------------------

FIGURE 2 - PHYSICAL DIMENSIONS (CONTINUED)

NOTES TO FIGURES 2(a) TO 2(e) INCLUSIVE

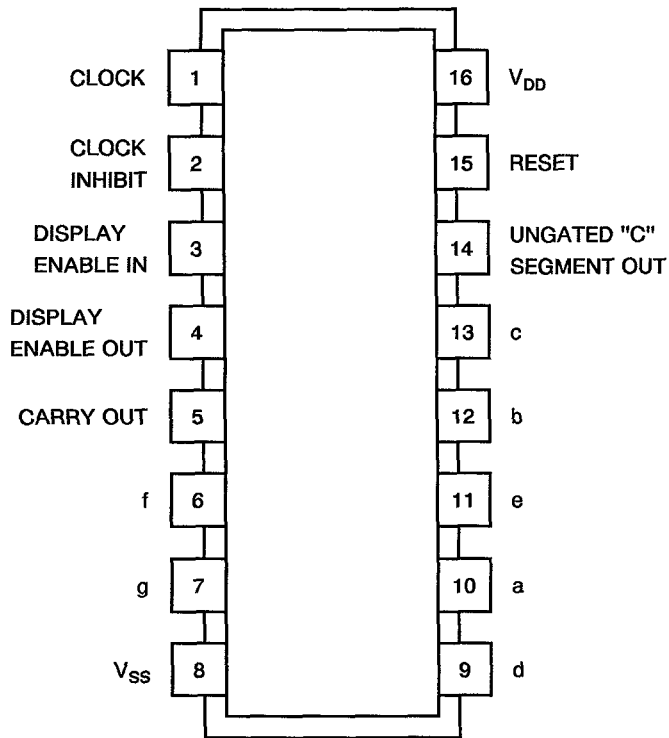
1. Index area: a notch, letter or dot shall be located adjacent to Pin 1 and shall be within the shaded area shown. For chip carrier packages the index shall be as defined in Figure 2(c).
2. The dimension shall be measured from the seating plane to the base plane.
3. All leads or terminals.
4. 16 pin packages : 14 spaces
20 terminal packages : 12 spaces
5. Index corner only.
6. Three non-index corners.
7. For all pins, either pin shape may be supplied.



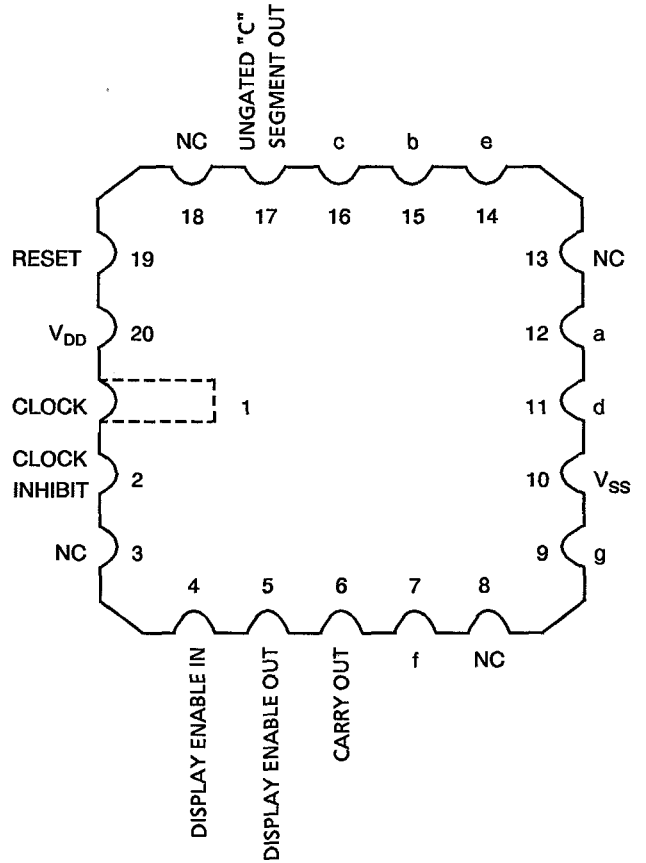
FIGURE 3(a) - PIN ASSIGNMENT

DUAL-IN-LINE, SO AND FLAT PACKAGES

CHIP CARRIER PACKAGE



(TOP VIEW)



(TOP VIEW)

FLAT PACKAGE, SO AND DUAL-IN-LINE TO CHIP CARRIER PIN ASSIGNMENT

FLAT PACKAGE, SO AND DUAL-IN-LINE PIN OUTS	1	2	3	4	5	6	7	8	9	10	11	12	13	14	15	16
CHIP CARRIER PIN OUTS	1	2	4	5	6	7	9	10	11	12	14	15	16	17	19	20



FIGURE 3(b) - SEGMENT ADDRESS TABLE

DISPLAY NUMBERS	PIN NUMBERS													D.C. SUPPLY		
	1	2	3	15	4	5	6	7	9	10	11	12	13	14	8	16
0		L	H	L	H	H	H	L	H	H	H	H	H	H	V _{SS}	V _{DD}
1		L	H	L	H	H	L	L	L	L	L	H	H	H		
2		L	H	L	H	H	L	H	H	H	H	H	L	L		
3		L	H	L	H	H	L	H	H	H	L	H	H	H		
4		L	H	L	H	H	H	H	L	L	L	H	H	H		
5		L	H	L	H	L	H	H	H	H	L	L	H	H		
6		L	H	L	H	L	H	H	H	H	H	L	H	H		
7		L	H	L	H	L	L	L	L	H	L	H	H	H		
8		L	H	L	H	L	H	H	H	H	H	H	H	H		
9		L	H	L	H	L	H	H	H	H	L	H	H	H		
DISPLAY ENABLE	X	X	L	X	L	X	L	L	L	L	L	L	L	X		
ZERO RESET	X	L	H	H	H	H	H	L	H	H	H	H	H	H		

NOTES

1. Logic Level Definitions: L = Low Level, H = High Level, X = Don't Care.

SEGMENT DESIGNATIONS

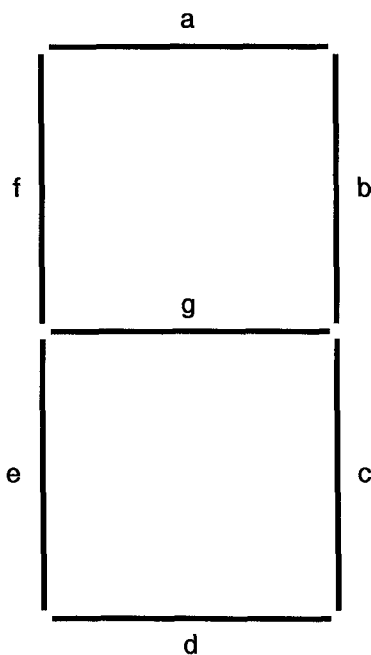




FIGURE 3(c) - CIRCUIT SCHEMATIC

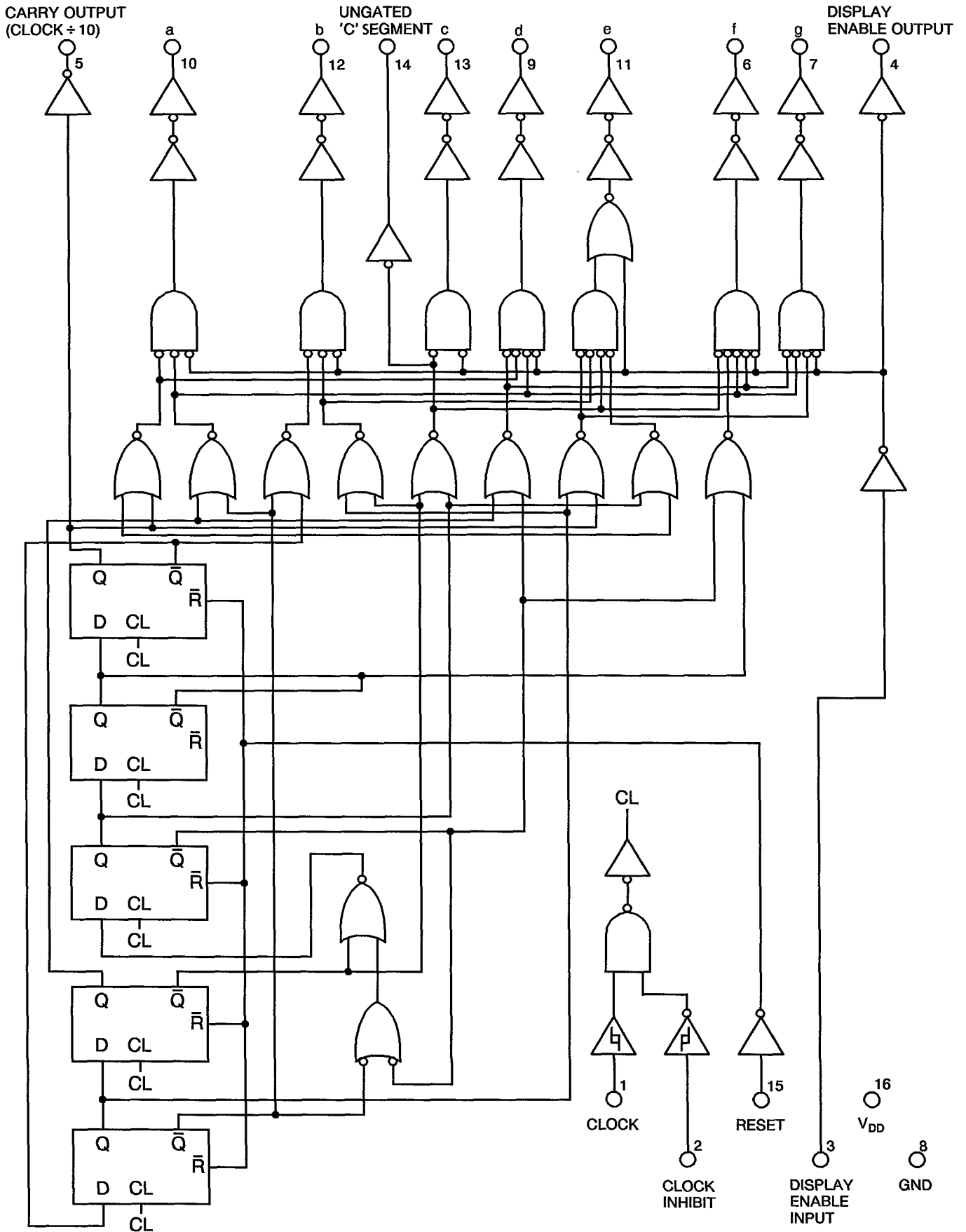
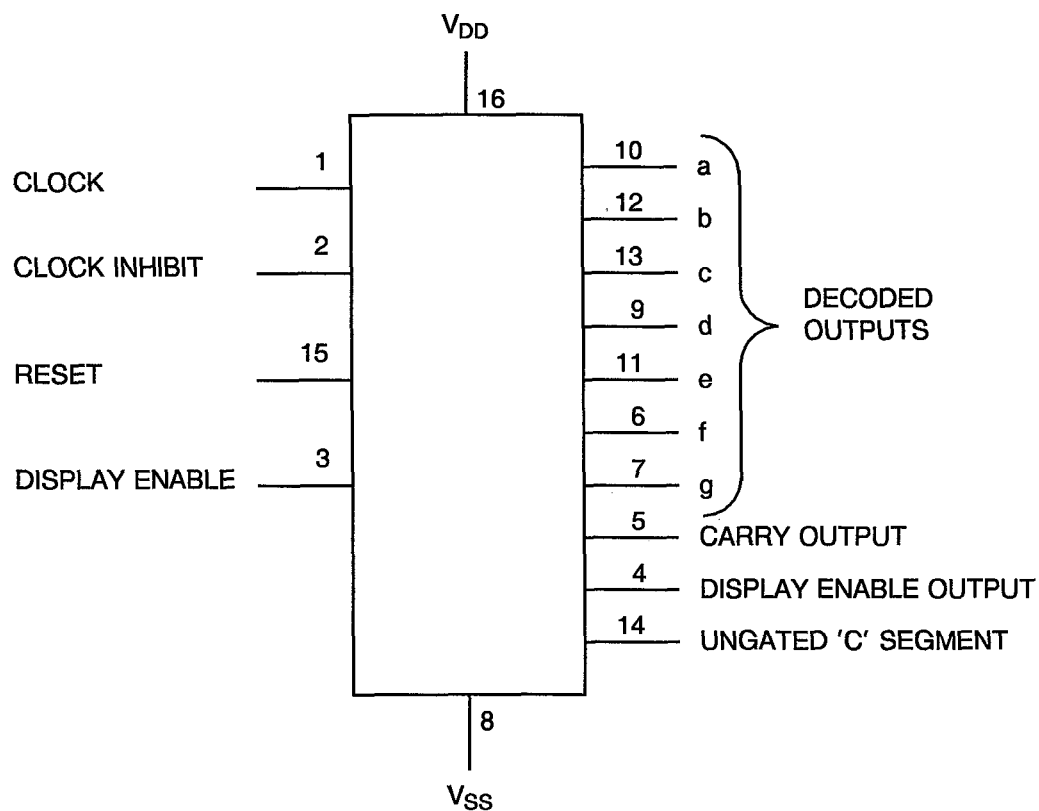
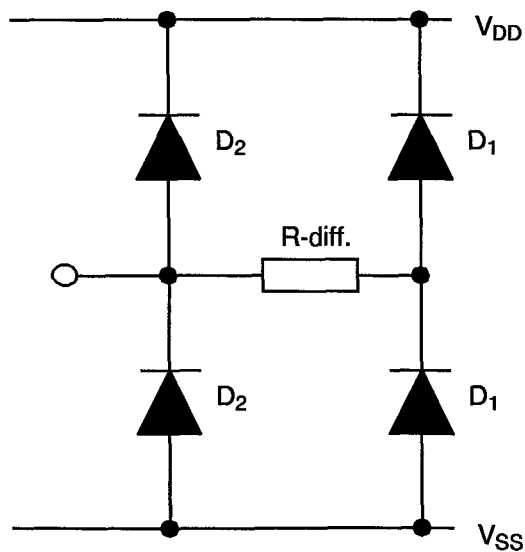




FIGURE 3(d) - FUNCTIONAL DIAGRAM

FIGURE 3(e) - INPUT PROTECTION NETWORK


 	<p style="text-align: center;">ESA/SCC Detail Specification No. 9406/001</p>	<p style="text-align: right;">PAGE 17 ISSUE 3</p>
---	--	---

2. APPLICABLE DOCUMENTS

The following documents form part of this specification and shall be read in conjunction with it:-

- (a) ESA/SCC Generic Specification No. 9000 for Integrated Circuits.
- (b) MIL-STD-883, Test Methods and Procedures for Micro-electronics.

3. TERMS, DEFINITIONS, ABBREVIATIONS, SYMBOLS AND UNITS

For the purpose of this specification, the terms, definitions, abbreviations, symbols and units specified in ESA/SCC Basic Specification No. 21300 shall apply. In addition, the following abbreviations are used:

- V_{IC} - Input Clamp Voltage.
- P_{DSO} - Single Output Power Dissipation.
- CKT - Circuit.

4. REQUIREMENTS

4.1 GENERAL

The complete requirements for procurement of the integrated circuits specified herein shall be as stated in this specification and ESA/SCC Generic Specification No. 9000 for Integrated Circuits. Deviations from the Generic Specification, applicable to this specification only, are listed in Para. 4.2.

Deviations from the applicable Generic Specification and this Detail Specification, formally agreed with specific Manufacturers on the basis that the alternative requirements are equivalent to the ESA/SCC requirement and do not affect the components' reliability, are listed in the appendices attached to this specification.

4.2 DEVIATIONS FROM GENERIC SPECIFICATION

4.2.1 Deviations from Special In-process Controls

None.

4.2.2 Deviations from Final Production Tests (Chart II)

None.


4.2.3 Deviations from Burn-in Tests (Chart III)

4.2.3.1 Deviations from High Temperature Reverse Bias (H.T.R.B.)

Prior to operating power burn-in, a high temperature reverse bias (H.T.R.B.) screen at +125°C shall be added for the N-Channel and then for the P-Channel in accordance with Tables 5(a) and 5(b) of this specification. Each exposure to H.T.R.B. shall be 72 hours and Table 4 Parameter Drift Values shall be applied at 0 and 144 hours.

4.2.4 Deviations from Qualification Tests (Chart IV)

None.

	<p style="text-align: center;">ESA/SCC Detail Specification No. 9406/001</p>	<p style="text-align: right;">PAGE 18 ISSUE 3</p>
--	--	---

4.2.5 Deviations from Lot Acceptance Tests (Chart V)

None.

4.3 MECHANICAL REQUIREMENTS

4.3.1 Dimension Check

The dimensions of the integrated circuits specified herein shall be checked. They shall conform to those shown in Figure 2.

4.3.2 Weight

The maximum weight of the integrated circuits specified herein shall be 1.5 grammes for the dual-in-line package, 0.6 grammes for the flat and SO packages and 0.52 grammes for the chip carrier package.

4.4 MATERIALS AND FINISHES

The materials and finishes shall be as specified herein. Where a definite material is not specified, a material which will enable the integrated circuits specified herein to meet the performance requirements of this specification shall be used. Acceptance or approval of any constituent material does not guarantee acceptance of the finished product.

4.4.1 Case

The case shall be hermetically sealed and have a metal body with hard glass seals or a ceramic body and the lids shall be welded, brazed or preform-soldered.

4.4.2 Lead Material and Finish

For dual-in-line and flat packages, the material shall be Type 'G' with either Type '4' or Type '2 or 8' finish in accordance with ESA/SCC Basic Specification No. 23500. For chip carrier packages the finish shall be Type '2' in accordance with ESA/SCC Basic Specification No. 23500. For SO ceramic packages, the material shall be Type 'G' with either Type '2' or Type '4' finish in accordance with ESA/SCC Basic Specification No. 23500. (See Table 1(a) for Type Variants).

4.5 MARKING

4.5.1 General

The marking of all components delivered to this specification shall be in accordance with the requirements of ESA/SCC Basic Specification No. 21700. Each component shall be marked in respect of:-

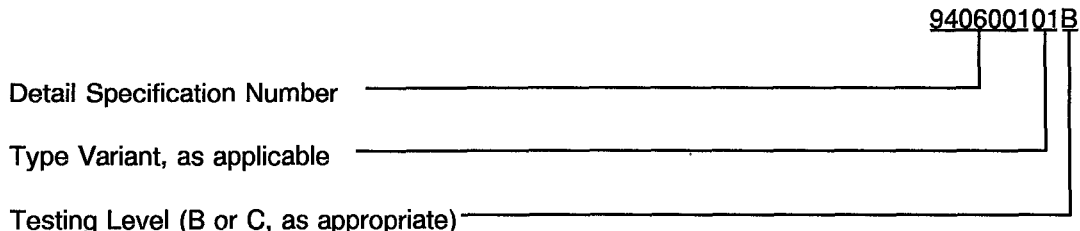
- (a) Lead Identification.
- (b) The SCC Component Number.
- (c) Traceability Information.

4.5.2 Lead Identification

For dual-in-line, flat and SO packages, an index shall be located at the top of the package in the position defined in Note 1 to Figure 2 or, alternatively, a tab may be used to identify Pin No. 1. The pin numbering must be read with the index or tab on the left-hand side. For chip carrier packages, the index shall be as defined by Figure 2(c).

4.5.3 The SCC Component Number

Each component shall bear the SCC Component Number which shall be constituted and marked as follows:



4.5.4 Traceability Information

Each component shall be marked in respect of traceability information in accordance with the requirements of ESA/SCC Basic Specification No. 21700.

4.6 ELECTRICAL MEASUREMENTS

4.6.1 Electrical Measurements at Room Temperature

The parameters to be measured in respect of electrical characteristics are scheduled in Table 2. Unless otherwise specified, the measurements shall be performed at $T_{amb} = +22 \pm 3$ °C.

4.6.2 Electrical Measurements at High and Low Temperatures

The parameters to be measured at high and low temperatures are scheduled in Table 3. The measurements shall be performed at $T_{amb} = +125(+0-5)$ °C and $-55(+5-0)$ °C respectively.

4.6.3 Circuits for Electrical Measurements

Circuits and functional test sequence for use in performing electrical measurements listed in Tables 2 and 3 of this specification are shown in Figure 4.

4.7 BURN-IN TESTS

4.7.1 Parameter Drift Values

The parameter drift values applicable to burn-in are specified in Table 4 of this specification. Unless otherwise stated, measurements shall be performed at $+22 \pm 3$ °C. The parameter drift values (Δ) applicable to the parameters scheduled, shall not be exceeded. In addition to these drift value requirements, the appropriate limit value specified for a given parameter in Table 2 shall not be exceeded.

4.7.2 Conditions for H.T.R.B. and Burn-in

The requirements for H.T.R.B. and Burn-in are specified in Section 7 of ESA/SCC Generic Specification No. 9000. The conditions for H.T.R.B. and Burn-in shall be as specified in Tables 5(a), 5(b) and 5(c) of this specification.

4.7.3 Electrical Circuits for H.T.R.B. and Burn-in

Circuits for use in performing the H.T.R.B. and Burn-in tests are shown in Figures 5(a), 5(b) and 5(c) of this specification.

**TABLE 2 - ELECTRICAL MEASUREMENTS AT ROOM TEMPERATURE - d.c. PARAMETERS**

NO.	CHARACTERISTICS	SYMBOL	TEST METHOD MIL-STD 883	TEST FIG.	TEST CONDITIONS (PINS UNDER TEST D/F = DIP AND FP C = CCP)	LIMITS		UNIT
						MIN	MAX	
1	Functional Test	-	-	4(a)	Verify Truth Table without Load. $V_{DD} = 5V_{dc}$, $V_{SS} = 0V_{dc}$ Notes 1 and 2	-	-	-
2	Functional Test	-	-	4(a)	Verify Truth Table without Load. $V_{DD} = 15V_{dc}$, $V_{SS} = 0V_{dc}$ Notes 1 and 2	-	-	-
3 to 4	Quiescent Current	I_{DD}	3005	4(b)	$V_{IL} = 0V_{dc}$, $V_{IH} = 15V_{dc}$ $V_{DD} = 15V_{dc}$, $V_{SS} = 0V_{dc}$ Note 3 (Pin D/F 16) (Pin C 20)	-	1.0	μA
5 to 8	Input Current Low Level	I_{IL}	3009	4(c)	V_{IN} (Under Test) = $0V_{dc}$ V_{IN} (Remaining Inputs) = $15V_{dc}$ $V_{DD} = 15V_{dc}$, $V_{SS} = 0V_{dc}$ (Pins D/F 1-2-3-15) (Pins C 1-2-4-19)	-	-50	nA
9 to 12	Input Current High Level	I_{IH}	3010	4(d)	V_{IN} (Under Test) = $15V_{dc}$ V_{IN} (Remaining Inputs) = $0V_{dc}$ $V_{DD} = 15V_{dc}$, $V_{SS} = 0V_{dc}$ (Pins D/F 1-2-3-15) (Pins C 1-2-4-19)	-	50	nA
13 to 22	Output Voltage Low Level	V_{OL}	3007	4(e)	V_{IN} (Clock) = Pulse Generator Inhibit and Reset: $V_{IN} = 0V_{dc}$ Display Enable: $V_{IN} = 15V_{dc}$ $V_{OUT} = \text{Open}$ $V_{DD} = 15V_{dc}$, $V_{SS} = 0V_{dc}$ (Pins D/F 4-5-6-7-9-10-11-12-13-14) (Pins C 5-6-7-9-11-12-14-15-16-17)	-	0.05	V

NOTES: See Page 26.

**TABLE 2 - ELECTRICAL MEASUREMENTS AT ROOM TEMPERATURE - d.c. PARAMETERS (CONT'D)**

NO.	CHARACTERISTICS	SYMBOL	TEST METHOD MIL-STD 883	TEST FIG.	TEST CONDITIONS (PINS UNDER TEST D/F = DIP AND FP C = CCP)	LIMITS		UNIT
						MIN	MAX	
23 to 32	Output Voltage High Level	V_{OH}	3006	4(f)	V_{IN} (Clock) = Pulse Generator Inhibit and Reset: $V_{IN} = 0V_{dc}$ Display Enable: $V_{IN} = 15V_{dc}$ $V_{OUT} = \text{Open}$ $V_{DD} = 15V_{dc}$, $V_{SS} = 0V_{dc}$ (Pins D/F 4-5-6-7-9-10-11-12-13-14) (Pins C 5-6-7-9-11-12-14-15-16-17)	14.95	-	V
33 to 42	Output Drive Current N-Channel	I_{OL1}	-	4(g)	V_{IN} (Clock) = Pulse Generator Inhibit and Reset: $V_{IN} = 0V_{dc}$ Display Enable: $V_{IN} = 5V_{dc}$ $V_{OUT} = 0.4V_{dc}$ $V_{DD} = 5V_{dc}$, $V_{SS} = 0V_{dc}$ Note 4 (Pins D/F 4-5-6-7-9-10-11-12-13-14) (Pins C 5-6-7-9-11-12-14-15-16-17)	0.51	-	mA
43 to 52	Output Drive Current N-Channel	I_{OL2}	-	4(g)	V_{IN} (Clock) = Pulse Generator Inhibit and Reset: $V_{IN} = 0V_{dc}$ Display Enable: $V_{IN} = 15V_{dc}$ $V_{OUT} = 1.5V_{dc}$ $V_{DD} = 15V_{dc}$, $V_{SS} = 0V_{dc}$ Note 4 (Pins D/F 4-5-6-7-9-10-11-12-13-14) (Pins C 5-6-7-9-11-12-14-15-16-17)	3.4	-	mA

NOTES: See Page 26.



TABLE 2 - ELECTRICAL MEASUREMENTS AT ROOM TEMPERATURE - d.c. PARAMETERS (CONT'D)

NO.	CHARACTERISTICS	SYMBOL	TEST METHOD MIL-STD 883	TEST FIG.	TEST CONDITIONS (PINS UNDER TEST D/F = DIP AND FP C = CCP)	LIMITS		UNIT
						MIN	MAX	
53 to 62	Output Drive Current P-Channel	I_{OH1}	-	4(h)	V_{IN} (Clock) = Pulse Generator Inhibit and Reset: $V_{IN} = 0V_{dc}$ Display Enable: $V_{IN} = 5V_{dc}$ $V_{OUT} = 4.6V_{dc}$ $V_{DD} = 5V_{dc}$, $V_{SS} = 0V_{dc}$ Note 4 (Pins D/F 4-5-6-7-9-10-11-12-13-14) (Pins C 5-6-7-9-11-12-14-15-16-17)	-0.51	-	mA
63 to 72	Output Drive Current P-Channel	I_{OH2}	-	4(h)	V_{IN} (Clock) = Pulse Generator Inhibit and Reset: $V_{IN} = 0V_{dc}$ Display Enable: $V_{IN} = 15V_{dc}$ $V_{OUT} = 13.5V_{dc}$ $V_{DD} = 15V_{dc}$, $V_{SS} = 0V_{dc}$ Note 4 (Pins D/F 4-5-6-7-9-10-11-12-13-14) (Pins C 5-6-7-9-11-12-14-15-16-17)	-3.4	-	mA
73	Input Voltage Low Level (Noise Immunity) (Functional Test)	V_{IL1}	-	4(a)	$V_{IL} = 1.5V_{dc}$ $V_{IH} = 3.5V_{dc}$ $V_{DD} = 5V_{dc}$, $V_{SS} = 0V_{dc}$ Note 5 (Pins D/F 4-5-6-7-9-10-11-12-13-14) (Pins C 5-6-7-9-11-12-14-15-16-17)	4.5	-	V
	Input Voltage High Level (Noise Immunity) (Functional Test)	V_{IH1}				-	0.5	
74	Input Voltage Low Level (Noise Immunity) (Functional Test)	V_{IL2}	-	4(a)	$V_{IL} = 4V_{dc}$ $V_{IH} = 11V_{dc}$ $V_{DD} = 15V_{dc}$, $V_{SS} = 0V_{dc}$ Note 5 (Pins D/F 4-5-6-7-9-10-11-12-13-14) (Pins C 5-6-7-9-11-12-14-15-16-17)	13.5	-	V
	Input Voltage High Level (Noise Immunity) (Functional Test)	V_{IH2}				-	1.5	

NOTES: See Page 26.

**TABLE 2 - ELECTRICAL MEASUREMENTS AT ROOM TEMPERATURE - d.c. PARAMETERS (CONT'D)**

NO.	CHARACTERISTICS	SYMBOL	TEST METHOD MIL-STD 883	TEST FIG.	TEST CONDITIONS (PINS UNDER TEST D/F = DIP AND FP C = CCP)	LIMITS		UNIT
						MIN	MAX	
75	Threshold Voltage N-Channel	V_{THN}	-	4(i)	Clock Input at Ground Other Inputs: $V_{IN} = 5V_{dc}$ $V_{DD} = 5V_{dc}$, $I_{SS} = -10\mu A$ (Pin D/F 8) (Pin C 10)	-0.7	-3.0	V
76	Threshold Voltage P-Channel	V_{THP}	-	4(j)	Clock Input at Ground Other Inputs: $V_{IN} = -5V_{dc}$ $V_{SS} = -5V_{dc}$, $I_{DD} = 10\mu A$ (Pin D/F 16) (Pin C 20)	0.7	3.0	V
77 to 80	Input Clamp Voltage (to V_{SS})	V_{IC1}	-	4(k)	I_{IN} (Under Test) = $-100\mu A$ $V_{DD} = \text{Open}$, $V_{SS} = 0V_{dc}$ All Other Pins Open (Pins D/F 1-2-3-15) (Pins C 1-2-4-19)	-	-2.0	V
81 to 84	Input Clamp Voltage (to V_{DD})	V_{IC2}	-	4(l)	V_{IN} (Under Test) = $6V_{dc}$ $V_{SS} = \text{Open}$, $R = 30k\Omega$ (Pins D/F 1-2-3-15) (Pins C 1-2-4-19)	3.0	-	V

NOTES: See Page 26.



TABLE 2 - ELECTRICAL MEASUREMENTS AT ROOM TEMPERATURE - a.c. PARAMETERS

NO.	CHARACTERISTICS	SYMBOL	TEST METHOD MIL-STD 883	TEST FIG.	TEST CONDITIONS (PINS UNDER TEST D/F = DIP AND FP C = CCP)	LIMITS		UNIT
						MIN	MAX	
85 to 88	Input Capacitance	C_{IN}	3012	4(m)	V_{IN} (Not Under Test) = 0Vdc $V_{DD} = V_{SS} = 0Vdc$ Note 6 (Pins D/F 1-2-3-15) (Pins C 1-2-4-19)	-	7.5	pF
89	Propagation Delay Low to High Clock Input to Carry Out Line	t_{PLH1}	3003	4(n)	V_{IN} (Clock) = Pulse Generator V_{IN} (Inhibit) = 0Vdc V_{IN} (Reset) = 0Vdc V_{IN} (Display Enable) = 5Vdc $V_{DD} = 5Vdc, V_{SS} = 0Vdc$ Note 7 <u>Pins D/F</u> <u>Pins C</u> 1 to 5 1 to 6	-	450	ns
90	Propagation Delay High to Low Clock Input to Carry Out Line	t_{PHL1}	3003	4(n)	V_{IN} (Clock) = Pulse Generator V_{IN} (Inhibit) = 0Vdc V_{IN} (Reset) = 0Vdc V_{IN} (Display Enable) = 5Vdc $V_{DD} = 5Vdc, V_{SS} = 0Vdc$ Note 7 <u>Pins D/F</u> <u>Pins C</u> 1 to 5 1 to 6	-	450	ns
91	Propagation Delay Low to High Clock Input to Decode Out Line	t_{PLH2}	3003	4(n)	V_{IN} (Clock) = Pulse Generator V_{IN} (Inhibit) = 0Vdc V_{IN} (Reset) = 0Vdc V_{IN} (Display Enable) = 5Vdc $V_{DD} = 5Vdc, V_{SS} = 0Vdc$ Note 7 <u>Pins D/F</u> <u>Pins C</u> 1 to 10 1 to 12	-	650	ns
92	Propagation Delay High to Low Clock Input to Decode Out Line (Clocked Operation)	t_{PHL2}	3003	4(n)	V_{IN} (Clock) = Pulse Generator V_{IN} (Inhibit) = 0Vdc V_{IN} (Reset) = 0Vdc V_{IN} (Display Enable) = 5Vdc $V_{DD} = 5Vdc, V_{SS} = 0Vdc$ Note 7 <u>Pins D/F</u> <u>Pins C</u> 1 to 10 1 to 12	-	650	ns

NOTES: See Page 26.

**TABLE 2 - ELECTRICAL MEASUREMENTS AT ROOM TEMPERATURE - a.c. PARAMETERS (CONT'D)**

NO.	CHARACTERISTICS	SYMBOL	TEST METHOD MIL-STD 883	TEST FIG.	TEST CONDITIONS (PINS UNDER TEST D/F = DIP AND FP C = CCP)	LIMITS		UNIT
						MIN	MAX	
93	Transition Time Low to High	t_{TLH}	3004	4(n)	V_{IN} (Clock) = Pulse Generator V_{IN} (Inhibit) = 0Vdc V_{IN} (Reset) = 0Vdc V_{IN} (Display Enable) = 5Vdc V_{DD} = 5Vdc, V_{SS} = 0Vdc Note 7 (Pin D/F 5) (Pin C 6)	-	150	ns
94	Transition Time High to Low	t_{THL}	3004	4(n)	V_{IN} (Clock) = Pulse Generator V_{IN} (Inhibit) = 0Vdc V_{IN} (Reset) = 0Vdc V_{IN} (Display Enable) = 5Vdc V_{DD} = 5Vdc, V_{SS} = 0Vdc Note 7 (Pin D/F 5) (Pin C 6)	-	150	ns
95	Maximum Clock Frequency	$f_{(CL)}$	-	-	V_{IN} (Clock) = Pulse Generator V_{IN} (Remaining Inputs) = 0Vdc V_{DD} = 5Vdc, V_{SS} = 0Vdc Notes 7 and 8 (Pin D/F 1) (Pin C 1)	2.5	-	MHz

NOTES: See Page 26.



		<p style="text-align: center;">ESA/SCC Detail Specification No. 9406/001</p>		<p>PAGE 26 ISSUE 3</p>
--	--	--	--	----------------------------

TABLE 2 - ELECTRICAL MEASUREMENTS AT ROOM TEMPERATURE (CONTINUED)

NOTES

1. GO-NO-GO Test, each pattern of Test Table 4(a).
 $V_{OH} \geq V_{DD} - 0.5V_{dc}$ $V_{OL} \leq 0.5V_{dc}$
2. Maximum time to output comparator strobe 300 μ sec.
3. Test performed with the switch in each position.
4. Interchange of forcing and measuring function is permitted.
5. This is performed as a functional test in which extreme V_{IN} conditions are applied and output voltage is measured.
6. Measurement performed on a sample basis, LTPD7 or less, with a Capacitance Bridge connected between each input under test and V_{SS} , only for Lots where LAT Level 2 is to be performed. (For LTPD sampling plan, see Annexe I of ESA/SCC 9000).
7. Measurement performed on a sample basis, LTPD7 or less, (see Annexe I of ESA/SCC 9000).
8. A pulse having the following conditions shall be applied to the clock input: $V_p = 0V_{dc}$ to $V_{DD} V_{dc}$.
 Maximum Clock Frequency $f_{(CL)}$ requirement is considered met if proper output state changes occur with the pulse repetition rate set to that given in the limits column.

**TABLE 3(a) - ELECTRICAL MEASUREMENTS AT HIGH TEMPERATURE, +125(+0-5) °C**

NO.	CHARACTERISTICS	SYMBOL	TEST METHOD MIL-STD 883	TEST FIG.	TEST CONDITIONS (PINS UNDER TEST D/F = DIP AND FP C = CCP)	LIMITS		UNIT
						MIN	MAX	
1	Functional Test	-	-	4(a)	Verify Truth Table without Load. $V_{DD} = 5V_{dc}$, $V_{SS} = 0V_{dc}$ Notes 1 and 2	-	-	-
2	Functional Test	-	-	4(a)	Verify Truth Table without Load. $V_{DD} = 15V_{dc}$, $V_{SS} = 0V_{dc}$ Notes 1 and 2	-	-	-
3 to 4	Quiescent Current	I_{DD}	3005	4(b)	$V_{IL} = 0V_{dc}$, $V_{IH} = 15V_{dc}$ $V_{DD} = 15V_{dc}$, $V_{SS} = 0V_{dc}$ Note 3 (Pin D/F 16) (Pin C 20)	-	30	μA
5 to 8	Input Current Low Level	I_{IL}	3009	4(c)	V_{IN} (Under Test) = $0V_{dc}$ V_{IN} (Remaining Inputs) = $15V_{dc}$ $V_{DD} = 15V_{dc}$, $V_{SS} = 0V_{dc}$ (Pins D/F 1-2-3-15) (Pins C 1-2-4-19)	-	-100	nA
9 to 12	Input Current High Level	I_{IH}	3010	4(d)	V_{IN} (Under Test) = $15V_{dc}$ V_{IN} (Remaining Inputs) = $0V_{dc}$ $V_{DD} = 15V_{dc}$, $V_{SS} = 0V_{dc}$ (Pins D/F 1-2-3-15) (Pins C 1-2-4-19)	-	100	nA
13 to 22	Output Voltage Low Level	V_{OL}	3007	4(e)	V_{IN} (Clock) = Pulse Generator Inhibit and Reset: $V_{IN} = 0V_{dc}$ Display Enable: $V_{IN} = 15V_{dc}$ $V_{OUT} = \text{Open}$ $V_{DD} = 15V_{dc}$, $V_{SS} = 0V_{dc}$ (Pins D/F 4-5-6-7-9-10-11-12-13-14) (Pins C 5-6-7-9-11-12-14-15-16-17)	-	0.05	V

NOTES: See Page 26.

**TABLE 3(a) - ELECTRICAL MEASUREMENTS AT HIGH TEMPERATURE, +125(+0-5) °C (CONT'D)**

NO.	CHARACTERISTICS	SYMBOL	TEST METHOD MIL-STD 883	TEST FIG.	TEST CONDITIONS (PINS UNDER TEST D/F = DIP AND FP C = CCP)	LIMITS		UNIT
						MIN	MAX	
23 to 32	Output Voltage High Level	V _{OH}	3006	4(f)	V _{IN} (Clock) = Pulse Generator Inhibit and Reset: V _{IN} = 0Vdc Display Enable: V _{IN} = 15Vdc V _{OUT} = Open V _{DD} = 15Vdc, V _{SS} = 0Vdc (Pins D/F 4-5-6-7-9-10-11-12-13-14) (Pins C 5-6-7-9-11-12-14-15-16-17)	14.95	-	V
33 to 42	Output Drive Current N-Channel	I _{OL1}	-	4(g)	V _{IN} (Clock) = Pulse Generator Inhibit and Reset: V _{IN} = 0Vdc Display Enable: V _{IN} = 5Vdc V _{OUT} = 0.4Vdc V _{DD} = 5Vdc, V _{SS} = 0Vdc Note 4 (Pins D/F 4-5-6-7-9-10-11-12-13-14) (Pins C 5-6-7-9-11-12-14-15-16-17)	0.36	-	mA
43 to 52	Output Drive Current N-Channel	I _{OL2}	-	4(g)	V _{IN} (Clock) = Pulse Generator Inhibit and Reset: V _{IN} = 0Vdc Display Enable: V _{IN} = 15Vdc V _{OUT} = 1.5Vdc V _{DD} = 15Vdc, V _{SS} = 0Vdc Note 4 (Pins D/F 4-5-6-7-9-10-11-12-13-14) (Pins C 5-6-7-9-11-12-14-15-16-17)	2.4	-	mA

NOTES: See Page 26.



TABLE 3(a) - ELECTRICAL MEASUREMENTS AT HIGH TEMPERATURE, +125(+0-5) °C (CONT'D)

NO.	CHARACTERISTICS	SYMBOL	TEST METHOD MIL-STD 883	TEST FIG.	TEST CONDITIONS (PINS UNDER TEST D/F = DIP AND FP C = CCP)	LIMITS		UNIT
						MIN	MAX	
53 to 62	Output Drive Current P-Channel	I_{OH1}	-	4(h)	V_{IN} (Clock) = Pulse Generator Inhibit and Reset: $V_{IN} = 0V_{dc}$ Display Enable: $V_{IN} = 5V_{dc}$ $V_{OUT} = 4.6V_{dc}$ $V_{DD} = 5V_{dc}$, $V_{SS} = 0V_{dc}$ Note 4 (Pins D/F 4-5-6-7-9-10-11-12-13-14) (Pins C 5-6-7-9-11-12-14-15-16-17)	-0.36	-	mA
63 to 72	Output Drive Current P-Channel	I_{OH2}	-	4(h)	V_{IN} (Clock) = Pulse Generator Inhibit and Reset: $V_{IN} = 0V_{dc}$ Display Enable: $V_{IN} = 15V_{dc}$ $V_{OUT} = 13.5V_{dc}$ $V_{DD} = 15V_{dc}$, $V_{SS} = 0V_{dc}$ Note 4 (Pins D/F 4-5-6-7-9-10-11-12-13-14) (Pins C 5-6-7-9-11-12-14-15-16-17)	-2.4	-	mA
73	Input Voltage Low Level (Noise Immunity) (Functional Test)	V_{IL1}	-	4(a)	$V_{IL} = 1.5V_{dc}$ $V_{IH} = 3.5V_{dc}$ $V_{DD} = 5V_{dc}$, $V_{SS} = 0V_{dc}$ Note 5 (Pins D/F 4-5-6-7-9-10-11-12-13-14) (Pins C 5-6-7-9-11-12-14-15-16-17)	4.5	-	V
	Input Voltage High Level (Noise Immunity) (Functional Test)	V_{IH1}				-	0.5	
74	Input Voltage Low Level (Noise Immunity) (Functional Test)	V_{IL2}	-	4(a)	$V_{IL} = 4V_{dc}$ $V_{IH} = 11V_{dc}$ $V_{DD} = 15V_{dc}$, $V_{SS} = 0V_{dc}$ Note 5 (Pins D/F 4-5-6-7-9-10-11-12-13-14) (Pins C 5-6-7-9-11-12-14-15-16-17)	13.5	-	V
	Input Voltage High Level (Noise Immunity) (Functional Test)	V_{IH2}				-	1.5	

NOTES: See Page 26.

**TABLE 3(a) - ELECTRICAL MEASUREMENTS AT HIGH TEMPERATURE, +125(+0-5) °C (CONT'D)**

NO.	CHARACTERISTICS	SYMBOL	TEST METHOD MIL-STD 883	TEST FIG.	TEST CONDITIONS (PINS UNDER TEST D/F = DIP AND FP C = CCP)	LIMITS		UNIT
						MIN	MAX	
75	Threshold Voltage N-Channel	V_{THN}	-	4(i)	Clock Input at Ground Other Inputs: $V_{IN} = 5V_{dc}$ $V_{DD} = 5V_{dc}$, $I_{SS} = -10\mu A$ (Pin D/F 8) (Pin C 10)	-0.3	-3.5	V
76	Threshold Voltage P-Channel	V_{THP}	-	4(j)	Clock Input at Ground Other Inputs: $V_{IN} = -5V_{dc}$ $V_{SS} = -5V_{dc}$, $I_{DD} = 10\mu A$ (Pin D/F 16) (Pin C 20)	0.3	3.5	V

NOTES: See Page 26.

**TABLE 3(b) - ELECTRICAL MEASUREMENTS AT LOW TEMPERATURE, -55(+5-0) °C**

NO.	CHARACTERISTICS	SYMBOL	TEST METHOD MIL-STD 883	TEST FIG.	TEST CONDITIONS (PINS UNDER TEST D/F = DIP AND FP C = CCP)	LIMITS		UNIT
						MIN	MAX	
1	Functional Test	-	-	4(a)	Verify Truth Table without Load. $V_{DD} = 5V_{dc}$, $V_{SS} = 0V_{dc}$ Notes 1 and 2	-	-	-
2	Functional Test	-	-	4(a)	Verify Truth Table without Load. $V_{DD} = 15V_{dc}$, $V_{SS} = 0V_{dc}$ Notes 1 and 2	-	-	-
3 to 4	Quiescent Current	I_{DD}	3005	4(b)	$V_{IL} = 0V_{dc}$, $V_{IH} = 15V_{dc}$ $V_{DD} = 15V_{dc}$, $V_{SS} = 0V_{dc}$ Note 3 (Pin D/F 16) (Pin C 20)	-	1.0	μA
5 to 8	Input Current Low Level	I_{IL}	3009	4(c)	V_{IN} (Under Test) = $0V_{dc}$ V_{IN} (Remaining Inputs) = $15V_{dc}$ $V_{DD} = 15V_{dc}$, $V_{SS} = 0V_{dc}$ (Pins D/F 1-2-3-15) (Pins C 1-2-4-19)	-	-50	nA
9 to 12	Input Current High Level	I_{IH}	3010	4(d)	V_{IN} (Under Test) = $15V_{dc}$ V_{IN} (Remaining Inputs) = $0V_{dc}$ $V_{DD} = 15V_{dc}$, $V_{SS} = 0V_{dc}$ (Pins D/F 1-2-3-15) (Pins C 1-2-4-19)	-	50	nA
13 to 22	Output Voltage Low Level	V_{OL}	3007	4(e)	V_{IN} (Clock) = Pulse Generator Inhibit and Reset: $V_{IN} = 0V_{dc}$ Display Enable: $V_{IN} = 15V_{dc}$ $V_{OUT} = \text{Open}$ $V_{DD} = 15V_{dc}$, $V_{SS} = 0V_{dc}$ (Pins D/F 4-5-6-7-9-10-11-12-13-14) (Pins C 5-6-7-9-11-12-14-15-16-17)	-	0.05	V

NOTES: See Page 26.

**TABLE 3(b) - ELECTRICAL MEASUREMENTS AT LOW TEMPERATURE, -55(+5-0) °C (CONT'D)**

NO.	CHARACTERISTICS	SYMBOL	TEST METHOD MIL-STD 883	TEST FIG.	TEST CONDITIONS (PINS UNDER TEST D/F = DIP AND FP C = CCP)	LIMITS		UNIT
						MIN	MAX	
23 to 32	Output Voltage High Level	V_{OH}	3006	4(f)	V_{IN} (Clock) = Pulse Generator Inhibit and Reset: $V_{IN} = 0V_{dc}$ Display Enable: $V_{IN} = 15V_{dc}$ $V_{OUT} = \text{Open}$ $V_{DD} = 15V_{dc}$, $V_{SS} = 0V_{dc}$ (Pins D/F 4-5-6-7-9-10-11-12-13-14) (Pins C 5-6-7-9-11-12-14-15-16-17)	14.95	-	V
33 to 42	Output Drive Current N-Channel	I_{OL1}	-	4(g)	V_{IN} (Clock) = Pulse Generator Inhibit and Reset: $V_{IN} = 0V_{dc}$ Display Enable: $V_{IN} = 5V_{dc}$ $V_{OUT} = 0.4V_{dc}$ $V_{DD} = 5V_{dc}$, $V_{SS} = 0V_{dc}$ Note 4 (Pins D/F 4-5-6-7-9-10-11-12-13-14) (Pins C 5-6-7-9-11-12-14-15-16-17)	0.64	-	mA
43 to 52	Output Drive Current N-Channel	I_{OL2}	-	4(g)	V_{IN} (Clock) = Pulse Generator Inhibit and Reset: $V_{IN} = 0V_{dc}$ Display Enable: $V_{IN} = 15V_{dc}$ $V_{OUT} = 1.5V_{dc}$ $V_{DD} = 15V_{dc}$, $V_{SS} = 0V_{dc}$ Note 4 (Pins D/F 4-5-6-7-9-10-11-12-13-14) (Pins C 5-6-7-9-11-12-14-15-16-17)	4.2	-	mA

NOTES: See Page 26.



TABLE 3(b) - ELECTRICAL MEASUREMENTS AT LOW TEMPERATURE, -55(+5-0) °C (CONT'D)

NO.	CHARACTERISTICS	SYMBOL	TEST METHOD MIL-STD 883	TEST FIG.	TEST CONDITIONS (PINS UNDER TEST D/F = DIP AND FP C = CCP)	LIMITS		UNIT
						MIN	MAX	
53 to 62	Output Drive Current P-Channel	I_{OH1}	-	4(h)	V_{IN} (Clock) = Pulse Generator Inhibit and Reset: $V_{IN} = 0V_{dc}$ Display Enable: $V_{IN} = 5V_{dc}$ $V_{OUT} = 4.6V_{dc}$ $V_{DD} = 5V_{dc}$, $V_{SS} = 0V_{dc}$ Note 4 (Pins D/F 4-5-6-7-9-10-11-12-13-14) (Pins C 5-6-7-9-11-12-14-15-16-17)	-0.64	-	mA
63 to 72	Output Drive Current P-Channel	I_{OH2}	-	4(h)	V_{IN} (Clock) = Pulse Generator Inhibit and Reset: $V_{IN} = 0V_{dc}$ Display Enable: $V_{IN} = 15V_{dc}$ $V_{OUT} = 13.5V_{dc}$ $V_{DD} = 15V_{dc}$, $V_{SS} = 0V_{dc}$ Note 4 (Pins D/F 4-5-6-7-9-10-11-12-13-14) (Pins C 5-6-7-9-11-12-14-15-16-17)	-4.2	-	mA
73	Input Voltage Low Level (Noise Immunity) (Functional Test)	V_{IL1}	-	4(a)	$V_{IL} = 1.5V_{dc}$ $V_{IH} = 3.5V_{dc}$ $V_{DD} = 5V_{dc}$, $V_{SS} = 0V_{dc}$ Note 5 (Pins D/F 4-5-6-7-9-10-11-12-13-14) (Pins C 5-6-7-9-11-12-14-15-16-17)	4.5	-	V
	Input Voltage High Level (Noise Immunity) (Functional Test)	V_{IH1}				-	0.5	
74	Input Voltage Low Level (Noise Immunity) (Functional Test)	V_{IL2}	-	4(a)	$V_{IL} = 4V_{dc}$ $V_{IH} = 11V_{dc}$ $V_{DD} = 15V_{dc}$, $V_{SS} = 0V_{dc}$ Note 5 (Pins D/F 4-5-6-7-9-10-11-12-13-14) (Pins C 5-6-7-9-11-12-14-15-16-17)	13.5	-	V
	Input Voltage High Level (Noise Immunity) (Functional Test)	V_{IH2}				-	1.5	

NOTES: See Page 26.

TABLE 3(b) - ELECTRICAL MEASUREMENTS AT LOW TEMPERATURE, -55(+ 5-0) °C (CONT'D)

NO.	CHARACTERISTICS	SYMBOL	TEST METHOD MIL-STD 883	TEST FIG.	TEST CONDITIONS (PINS UNDER TEST D/F = DIP AND FP C = CCP)	LIMITS		UNIT
						MIN	MAX	
75	Threshold Voltage N-Channel	V_{THN}	-	4(i)	Clock Input at Ground Other Inputs: $V_{IN} = 5Vdc$ $V_{DD} = 5Vdc, I_{SS} = -10\mu A$ (Pin D/F 8) (Pin C 10)	-0.7	-3.5	V
76	Threshold Voltage P-Channel	V_{THP}	-	4(j)	Clock Input at Ground Other Inputs: $V_{IN} = -5Vdc$ $V_{SS} = -5Vdc, I_{DD} = 10\mu A$ (Pin D/F 16) (Pin C 20)	0.7	3.5	V

NOTES: See Page 26.



FIGURE 4 - CIRCUITS FOR ELECTRICAL MEASUREMENTS

FIGURE 4(a) - FUNCTIONAL TEST TABLE

PATTERN NO.	PIN NUMBERS														D.C. SUPPLY	
	1	2	3	4	5	6	7	9	10	11	12	13	14	15	8	16
1	1	0	1	1	1	1	0	1	1	1	1	1	1	1	0	V _{DD}
2	0	0	1	1	1	1	0	1	1	1	1	1	1	0		
3	1	0	1	1	1	0	0	0	0	0	1	1	1	0		
4	0	0	1	1	1	0	0	0	0	0	1	1	1	0		
5	1	0	1	1	1	0	1	1	1	1	1	0	0	0		
6	0	0	1	1	1	0	1	1	1	1	1	0	0	0		
7	1	0	1	1	1	0	1	1	1	0	1	1	1	0		
8	0	0	1	1	1	0	1	1	1	0	1	1	1	0		
9	1	0	1	1	1	1	1	0	0	0	1	1	1	0		
10	0	1	1	1	1	1	1	0	0	0	1	1	1	0		
11	1	1	1	1	1	1	1	0	0	0	1	1	1	0		
12	0	1	1	1	1	1	1	0	0	0	1	1	1	0		
13	0	0	1	1	1	1	1	0	0	0	1	1	1	0		
14	1	0	1	1	0	1	1	1	1	0	0	1	1	0		
15	0	0	1	1	0	1	1	1	1	0	0	1	1	0		
16	1	0	1	1	0	1	1	1	1	1	0	1	1	0		
17	1	1	1	1	0	1	1	1	1	1	0	1	1	0		
18	1	0	1	1	0	0	0	0	1	0	1	1	1	0		
19	1	1	1	1	0	0	0	0	1	0	1	1	1	0		
20	1	0	1	1	0	1	1	1	1	1	1	1	1	0		
21	0	0	1	1	0	1	1	1	1	1	1	1	1	0		
22	0	0	0	0	0	0	0	0	0	0	0	0	1	0		
23	1	0	0	0	0	0	0	0	0	0	0	0	1	0		
24	0	0	1	1	0	1	1	1	1	0	1	1	1	0		
25	1	0	1	1	1	1	0	1	1	1	1	1	1	0		
26	0	0	1	1	1	1	0	1	1	1	1	1	1	0		
27	1	0	1	1	1	0	0	0	0	0	1	1	1	0		
28	0	0	1	1	1	0	0	0	0	0	1	1	1	0		
29	1	0	1	1	1	0	1	1	1	1	1	0	0	0		
30	0	0	1	1	1	0	1	1	1	1	1	0	0	0		
31	1	0	1	1	1	0	1	1	1	0	1	1	1	0		
32	0	0	1	1	1	0	1	1	1	0	1	1	1	0		
33	1	0	1	1	1	1	1	0	0	0	1	1	1	0		
34	0	0	1	1	1	1	1	0	0	0	1	1	1	0		
35	1	0	1	1	0	1	1	1	1	0	0	1	1	0		
36	1	0	1	1	1	1	0	1	1	1	1	1	1	1		
37	0	0	1	1	1	1	0	1	1	1	1	1	1	0		
38	1	0	1	1	1	0	0	0	0	0	1	1	1	0		
39	0	0	1	1	1	0	0	0	0	0	1	1	1	0		
40	1	0	1	1	1	0	1	1	1	1	1	0	0	0		
41	0	0	1	1	1	0	1	1	1	1	1	0	0	0		
42	1	0	1	1	1	0	1	1	1	0	1	1	1	0		
43	0	0	1	1	1	0	1	1	1	0	1	1	1	0		
44	1	0	1	1	1	1	1	0	0	0	1	1	1	0		
45	0	0	1	1	1	1	1	0	0	0	1	1	1	0		
46	1	0	1	1	0	1	1	1	1	0	0	1	1	0		
47	0	0	1	1	0	1	1	1	1	0	0	1	1	0		
48	0	0	1	1	1	1	0	1	1	1	1	1	1	1		

NOTES

- Figure 4(a) illustrates one series of Test Patterns. Any other pattern series must be agreed with the Qualifying Space Agency and shall be included as an Appendix.
- Logic Level Definitions: 1 = V_{IH} = V_{DD}, 0 = V_{IL} = V_{SS}.



FIGURE 4 - CIRCUITS FOR ELECTRICAL MEASUREMENTS (CONTINUED)

FIGURE 4(b) - QUIESCENT CURRENT

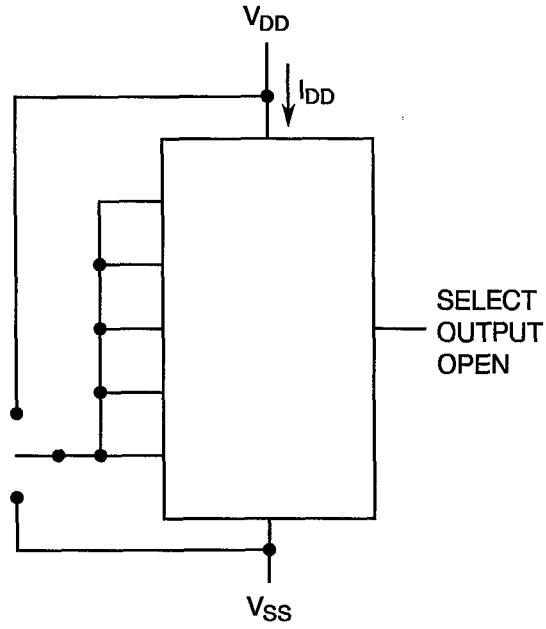
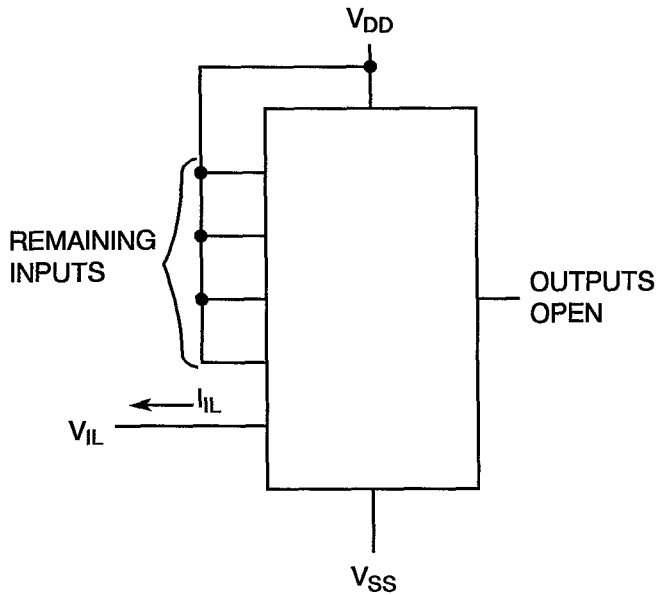




FIGURE 4 - CIRCUITS FOR ELECTRICAL MEASUREMENTS (CONTINUED)

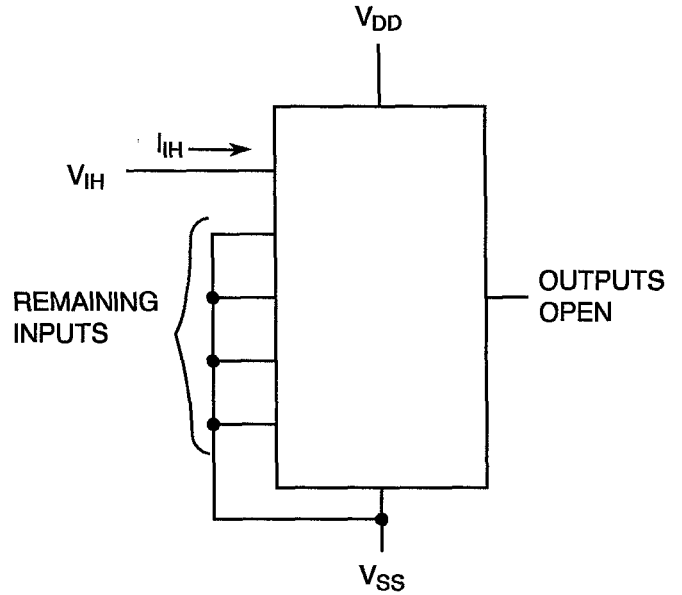
FIGURE 4(c) - LOW LEVEL INPUT CURRENT



NOTES

1. Each input to be tested separately.

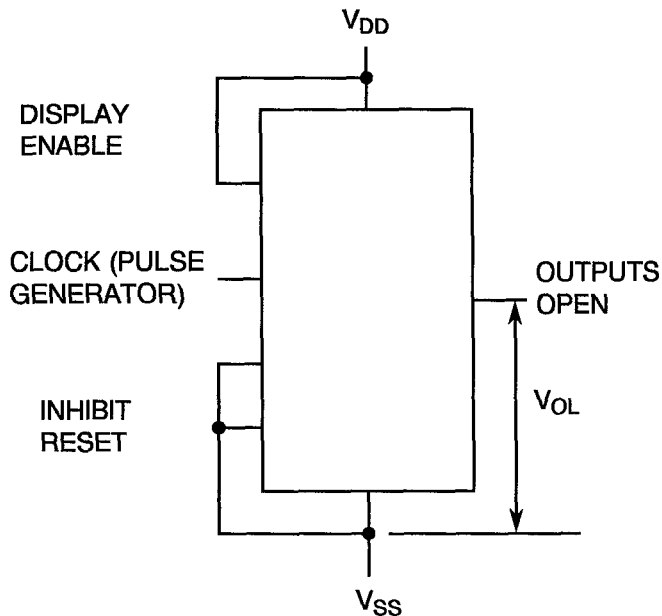
FIGURE 4(d) - HIGH LEVEL INPUT CURRENT



NOTES

1. Each input to be tested separately.

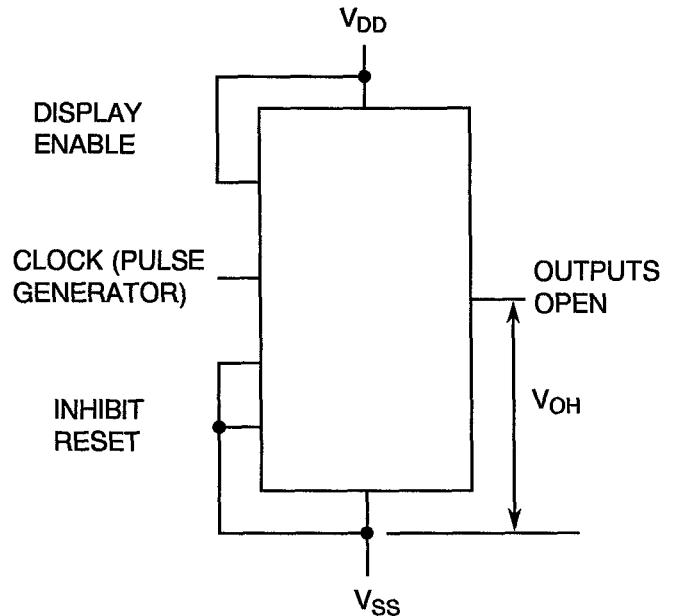
FIGURE 4(e) - LOW LEVEL OUTPUT VOLTAGE



NOTES

1. Each output to be tested separately.
2. Apply pulses 0Vdc to VDD to Clock Input until required output is obtained.

FIGURE 4(f) - HIGH LEVEL OUTPUT VOLTAGE



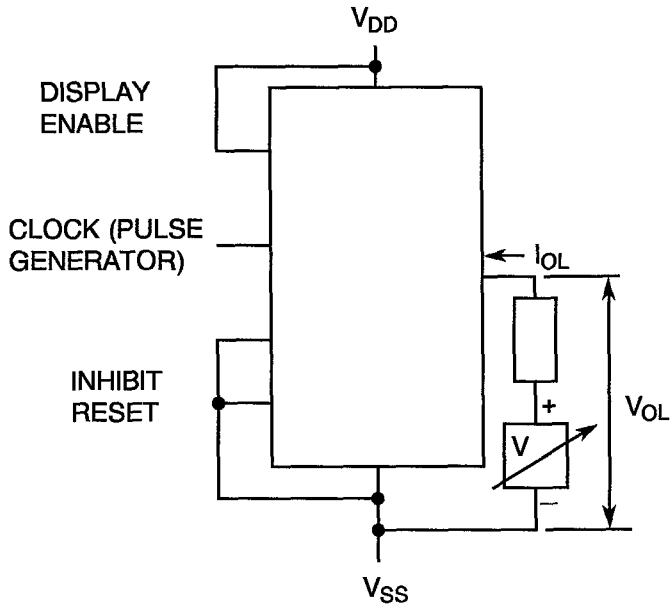
NOTES

1. Each output to be tested separately.
2. Apply pulses 0Vdc to VDD to Clock Input until required output is obtained.



FIGURE 4 - CIRCUITS FOR ELECTRICAL MEASUREMENTS (CONTINUED)

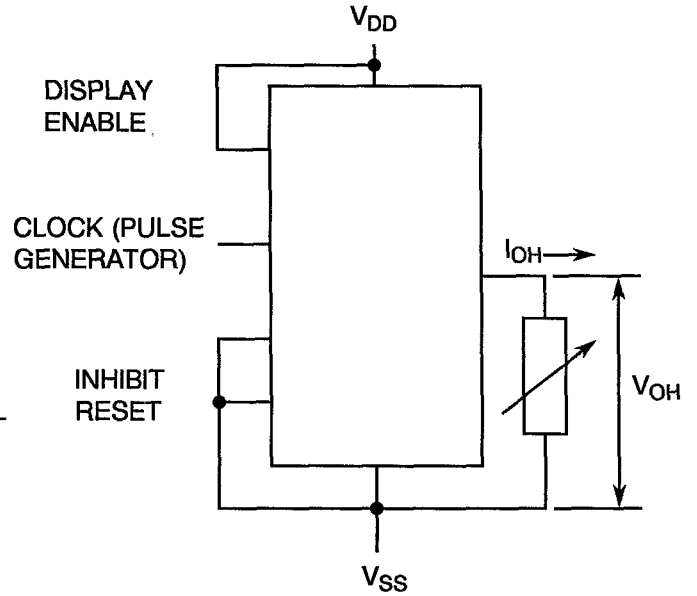
FIGURE 4(g) - LOW LEVEL OUTPUT CURRENT



NOTES

1. Each output to be tested separately.
2. Apply pulses 0Vdc to V_{DD} to Clock Input until required output is obtained

FIGURE 4(h) - HIGH LEVEL OUTPUT CURRENT



NOTES

1. Each output to be tested separately.
2. Apply pulses 0Vdc to V_{DD} to Clock Input until required output is obtained

FIGURE 4(i) - THRESHOLD VOLTAGE N-CHANNEL

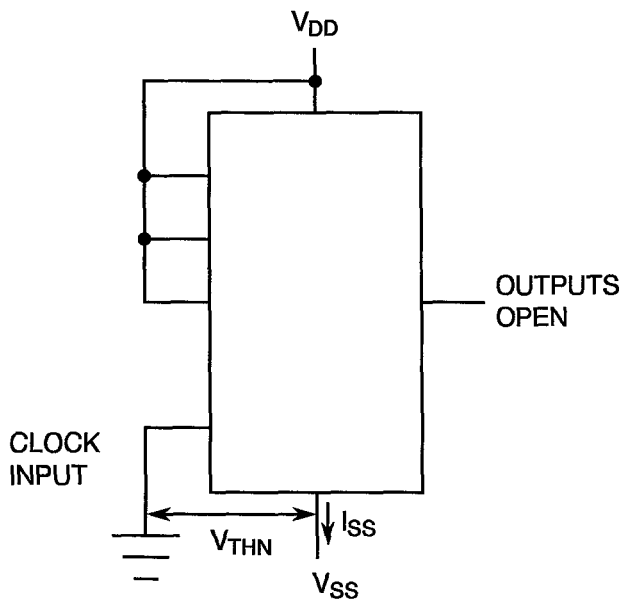


FIGURE 4(j) - THRESHOLD VOLTAGE P-CHANNEL

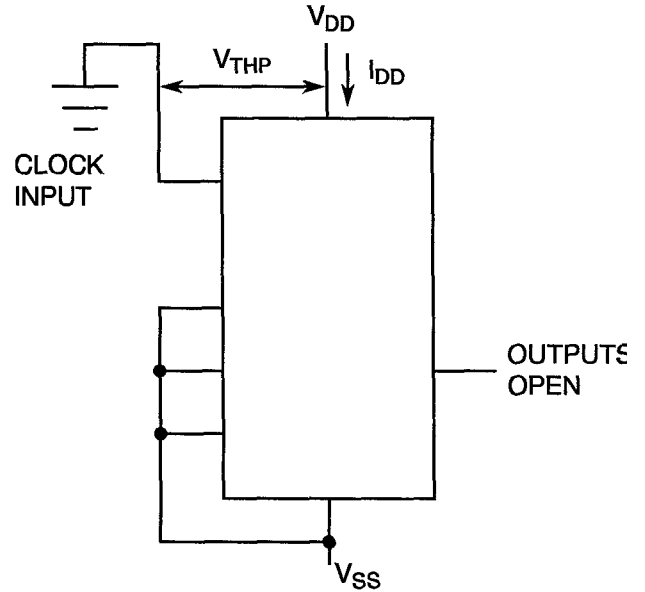
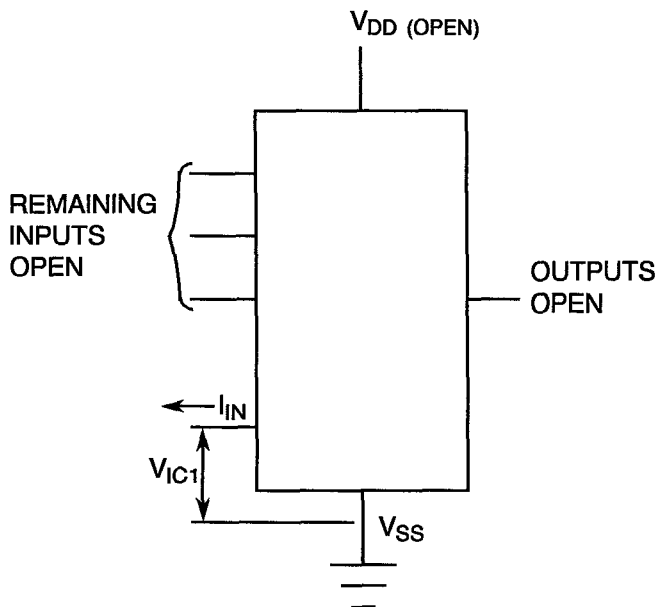
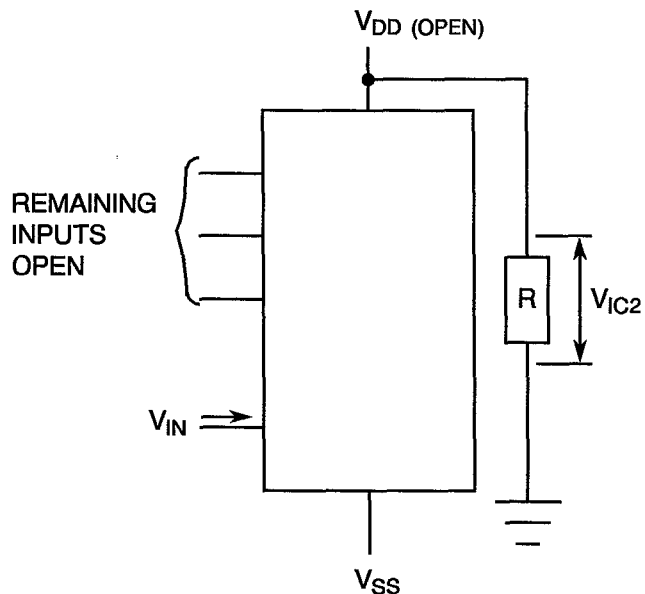
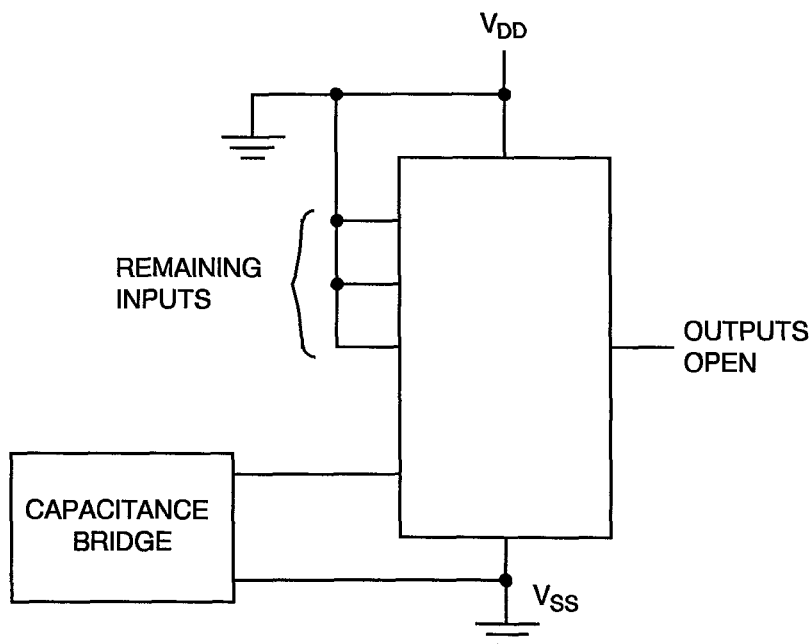


FIGURE 4 - CIRCUITS FOR ELECTRICAL MEASUREMENTS (CONTINUED)
FIGURE 4(k) - INPUT CLAMP VOLTAGE (V_{SS})

NOTES

1. Each input to be tested separately.

FIGURE 4(l) - INPUT CLAMP VOLTAGE (V_{DD})

NOTES

1. Each input to be tested separately.

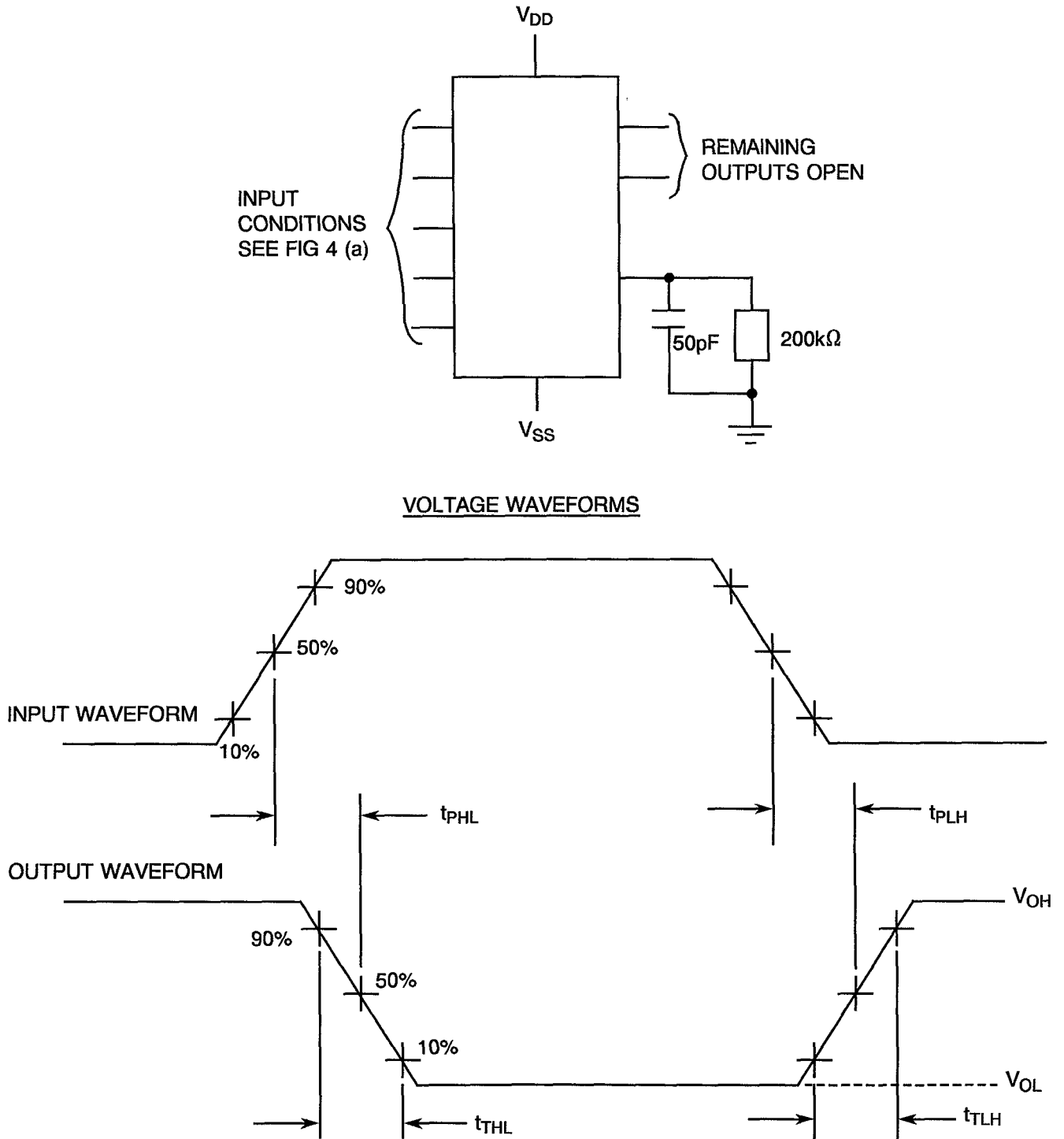
FIGURE 4(m) - INPUT CAPACITANCE

NOTES

1. Each Input to be tested separately.
2. $f = 500\text{kHz}$ to 1MHz .



FIGURE 4 - CIRCUITS FOR ELECTRICAL MEASUREMENTS (CONTINUED)

FIGURE 4(n) - PROPAGATION DELAY AND TRANSITION TIME



NOTES

1. Pulse Generator - $V_P = 0$ to V_{DD} , t_r and $t_f \leq 15$ ns, $f = 500$ kHz.

**TABLE 4 - PARAMETER DRIFT VALUES**

NO.	CHARACTERISTICS	SYMBOL	SPEC. AND/OR TEST METHOD	TEST CONDITIONS	CHANGE LIMITS (Δ)	UNIT
3 to 4	Quiescent Current	I_{DD}	As per Table 2	As per Table 2	± 150	nA
33 to 42	Output Drive Current N-Channel	I_{OL1}	As per Table 2	As per Table 2	± 15 (1)	%
53 to 62	Output Drive Current P-Channel	I_{OH1}	As per Table 2	As per Table 2	± 15 (1)	%
75	Threshold Voltage N-Channel	V_{THN}	As per Table 2	As per Table 2	± 0.3	V
76	Threshold Voltage P-Channel	V_{THP}	As per Table 2	As per Table 2	± 0.3	V

NOTES

1. Percentage of limit value if voltage is the measurement function.

**TABLE 5(a) - CONDITIONS FOR BURN-IN HIGH TEMPERATURE REVERSE BIAS, N-CHANNELS**

NO.	CHARACTERISTICS	SYMBOL	CONDITION	UNIT
1	Ambient Temperature	T_{amb}	+ 125 (+0-5)	°C
2	Outputs - (Pins D/F 4-5-6-7-9-10-11-12-13-14) (Pins C 5-6-7-9-11-12-14-15-16-17)	V_{OUT}	Open	-
3	Inputs - (Pins D/F 1-2-3-15) (Pins C 1-2-4-19)	V_{IN}	V_{DD}	Vdc
4	Positive Supply Voltage (Pin D/F 16) (Pin C 20)	V_{DD}	15	Vdc
5	Negative Supply Voltage (Pin D/F 8) (Pin C 10)	V_{SS}	Ground	Vdc

NOTES

1. Input Load = Protection Resistor = 2k Ω minimum to 47k Ω maximum.

TABLE 5(b) - CONDITIONS FOR BURN-IN HIGH TEMPERATURE REVERSE BIAS, P-CHANNELS

NO.	CHARACTERISTICS	SYMBOL	CONDITION	UNIT
1	Ambient Temperature	T_{amb}	+ 125 (+0-5)	°C
2	Outputs - (Pins D/F 4-5-6-7-9-10-11-12-13-14) (Pins C 5-6-7-9-11-12-14-15-16-17)	V_{OUT}	Open	-
3	Inputs - (Pins D/F 1-2-3-15) (Pins C 1-2-4-19)	V_{IN}	Ground	Vdc
4	Positive Supply Voltage (Pin D/F 16) (Pin C 20)	V_{DD}	15	Vdc
5	Negative Supply Voltage (Pin D/F 8) (Pin C 10)	V_{SS}	Ground	Vdc

NOTES

1. Input Load = Protection Resistor = 2k Ω minimum to 47k Ω maximum.

**TABLE 5(c) - CONDITIONS FOR BURN-IN DYNAMIC**

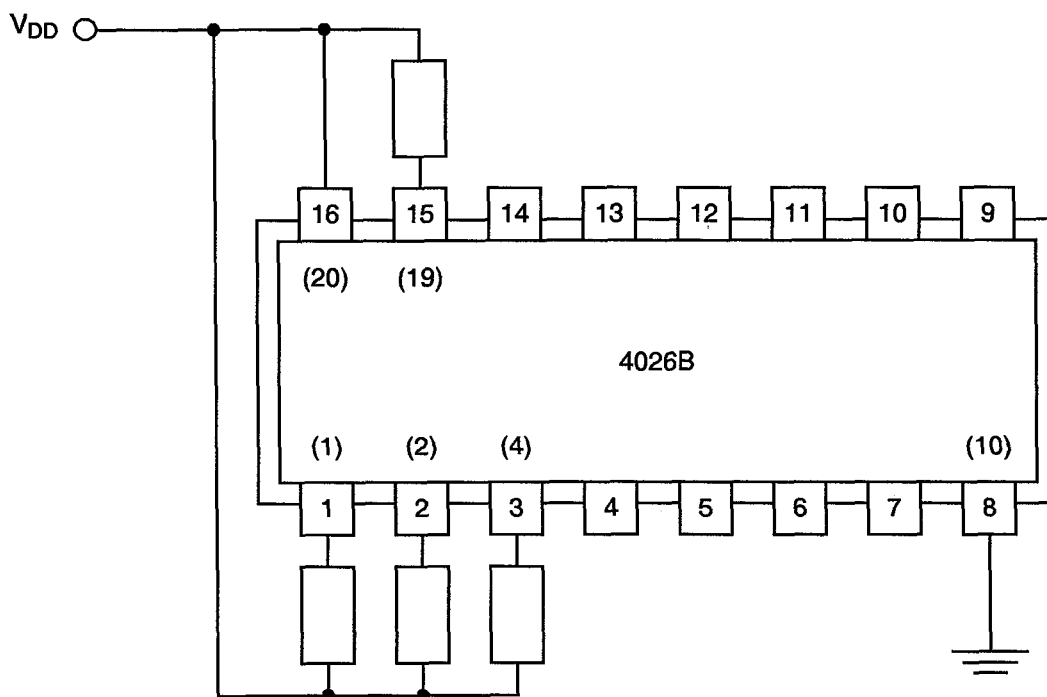
NO.	CHARACTERISTICS	SYMBOL	CONDITIONS	UNIT
1	Ambient Temperature	T_{amb}	+ 125 (+ 0-5)	°C
2	Outputs - (Pins D/F 4-5-6-7-9-10-11-12-13-14) (Pins C 5-6-7-9-11-12-14-15-16-17)	V_{OUT}	$V_{DD}/2$	Vdc
3	Inputs - (Pins D/F 2-15) (Pins C 2-19)	V_{IN}	Ground	Vdc
4	Input - (Pin D/F 3) (Pin C 4)	V_{IN}	V_{GEN2}	Vac
5	Input - (Pin D/F 1) (Pin C 1)	V_{IN}	V_{GEN1}	Vac
6	Pulse Voltage	V_{GEN}	0 to V_{DD}	Vac
7	Pulse Frequency Square Wave	f_{GEN1} f_{GEN2}	50k 50% Duty Cycle 25k 50% Duty Cycle	Hz
8	Positive Supply Voltage (Pin D/F 16) (Pin C 20)	V_{DD}	15	Vdc
9	Negative Supply Voltage (Pin D/F 8) (Pin C 10)	V_{SS}	Ground	Vdc

NOTES

1. Input Load = Output Load = 2k Ω minimum to 47k Ω maximum.



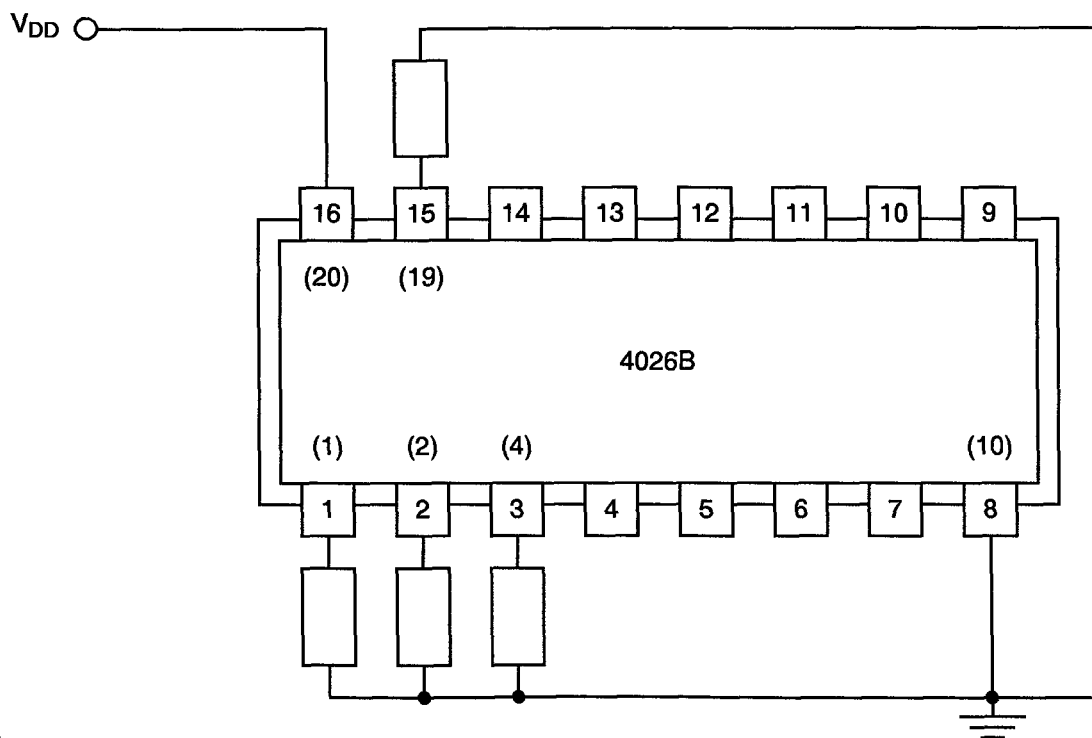
FIGURE 5(a) - ELECTRICAL CIRCUIT FOR BURN-IN HIGH TEMPERATURE REVERSE BIAS, N-CHANNELS



NOTES

1. Pin numbers in parenthesis are for the chip carrier package.

FIGURE 5(b) - ELECTRICAL CIRCUIT FOR BURN-IN HIGH TEMPERATURE REVERSE BIAS, P-CHANNELS

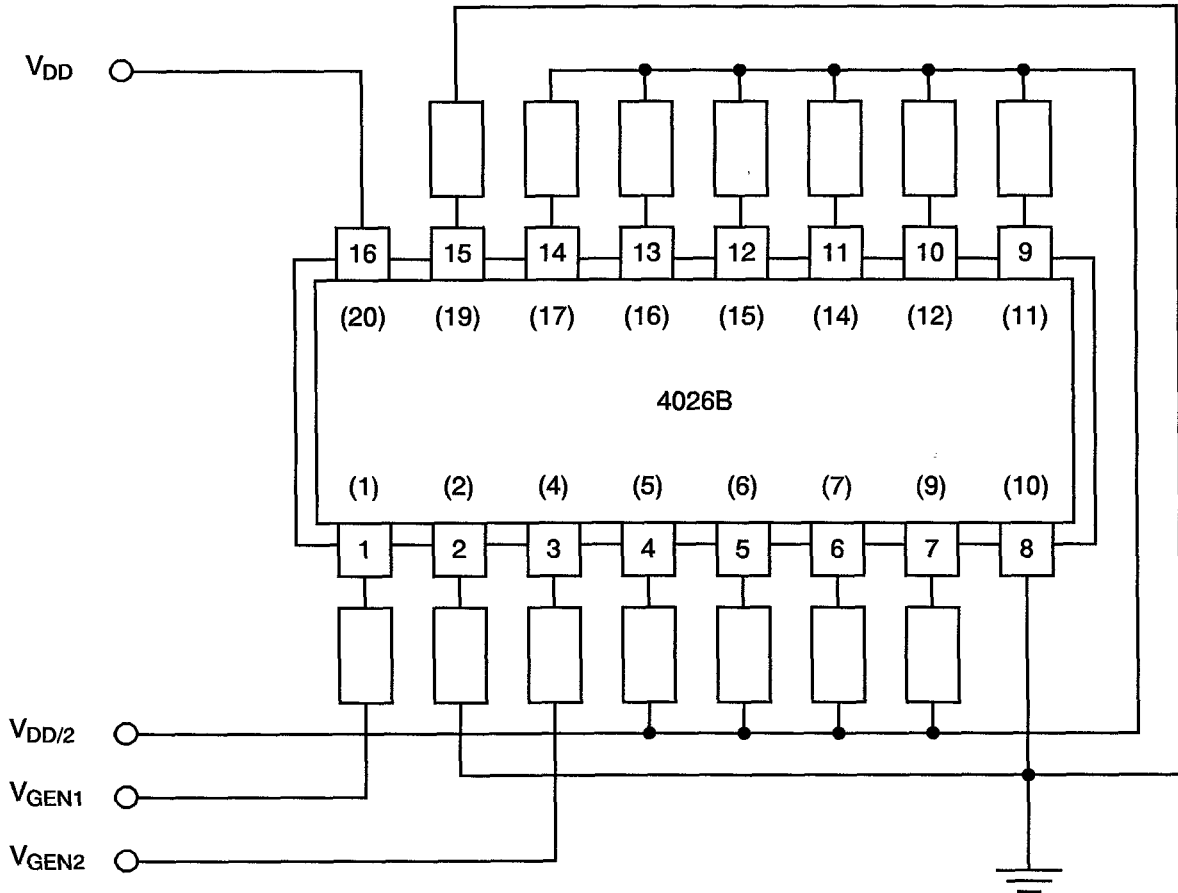


NOTES

1. Pin numbers in parenthesis are for the chip carrier package.



FIGURE 5(c) - ELECTRICAL CIRCUIT FOR BURN-IN DYNAMIC



NOTES

1. Pin numbers in parenthesis are for the chip carrier package.



4.8 ENVIRONMENTAL AND ENDURANCE TESTS (CHARTS IV AND V OF ESA/SCC GENERIC SPECIFICATION NO. 9000)

4.8.1 Electrical Measurements on Completion of Environmental Tests

The parameters to be measured on completion of environmental tests are scheduled in Table 6. Unless otherwise stated, the measurements shall be performed at $T_{amb} = +22 \pm 3$ °C.

4.8.2 Electrical Measurements at Intermediate Points during Endurance Tests

The parameters to be measured at intermediate points during endurance tests are as scheduled in Table 6 of this specification.

4.8.3 Electrical Measurements on Completion of Endurance Tests

The parameters to be measured on completion of endurance testing are as scheduled in Table 6 of this specification. Unless otherwise stated, the measurements shall be performed at $T_{amb} = +22 \pm 3$ °C.

4.8.4 Conditions for Operating Life Test

The requirements for operating life testing are specified in Section 9 of ESA/SCC Generic Specification No. 9000. The conditions for operating life testing shall be as specified in Table 5(c) of this specification.

4.8.5 Electrical Circuits for Operating Life Tests

Circuits for use in performing the operating life test are shown in Figure 5(c) of this specification.

4.8.6 Conditions for High Temperature Storage Test

The requirements for the high temperature storage test are specified in ESA/SCC Generic Specification No. 9000. The temperature to be applied shall be the maximum storage temperature as specified in Table 1(b) of this specification.



TABLE 6 - ELECTRICAL MEASUREMENTS ON COMPLETION OF ENVIRONMENTAL TESTS AND AT INTERMEDIATE POINTS AND ON COMPLETION OF ENDURANCE TESTING

NO.	CHARACTERISTICS	SYMBOL	SPEC. AND/OR TEST METHOD	TEST CONDITIONS	CHANGE LIMITS (Δ)			UNIT
						MIN	MAX	
1	Functional Test	-	As per Table 2	As per Table 2	-	-	-	-
3 to 4	Quiescent Current	I_{DD}	As per Table 2	As per Table 2	± 150	-	-	nA
5 to 8	Input Current Low Level	I_{IL}	As per Table 2	As per Table 2	-	-	-50	nA
9 to 12	Input Current High Level	I_{IH}	As per Table 2	As per Table 2	-	-	50	nA
13 to 22	Output Voltage Low Level	V_{OL}	As per Table 2	As per Table 2	-	-	0.05	V
23 to 32	Output Voltage High Level	V_{OH}	As per Table 2	As per Table 2	-	14.95	-	V
33 to 42	Output Drive Current N-Channel	I_{OL1}	As per Table 2	As per Table 2	± 15 (1)	-	-	%
43 to 52	Output Drive Current N-Channel	I_{OL2}	As per Table 2	As per Table 2	± 15 (1)	-	-	%
53 to 62	Output Drive Current P-Channel	I_{OH1}	As per Table 2	As per Table 2	± 15 (1)	-	-	%
63 to 72	Output Drive Current P-Channel	I_{OH2}	As per Table 2	As per Table 2	± 15 (1)	-	-	%
73	Input Voltage Low Level (Noise Immunity) (Functional Test)	V_{IL1}	As per Table 2	As per Table 2	-	4.5	-	V
	Input Voltage High Level (Noise Immunity) (Functional Test)	V_{IH1}			-	-	0.5	
75	Threshold Voltage N-Channel	V_{THN}	As per Table 2	As per Table 2	± 0.3	-	-	V
76	Threshold Voltage P-Channel	V_{THP}	As per Table 2	As per Table 2	± 0.3	-	-	V

NOTES

- Percentage of limit value if voltage is the measurement function.

**SCC**ESA/SCC Detail Specification
No. 9406/001PAGE 48
ISSUE 3**APPENDIX 'A'**Page 1 of 1**AGREED DEVIATIONS FOR STMICROELECTRONICS (F)**

ITEMS AFFECTED	DESCRIPTION OF DEVIATION
Para. 4.2.3	Para. 9.23, High Temperature Reverse Bias Burn-in: The temperature limits of MIL-STD-883, Para. 4.5.8(c) may be used. Para. 9.24, Power Burn-in: The temperature limits of MIL-STD-883, Para. 4.5.8(c) may be used.
Para. 4.2.4	Para. 9.21.1, Operating Life during Qualification Testing: The temperature limits of MIL-STD-883, Para. 4.5.8(c) may be used.
Para. 4.2.5	Para. 9.21.2, Operating Life during Lot Acceptance Testing: The temperature limits of MIL-STD-883, Para. 4.5.8(c) may be used.