





**europaean space agency
agence spatiale européenne**

Pages 1 to 52

**INTEGRATED CIRCUITS, SILICON MONOLITHIC,
CMOS QUAD LOW TO HIGH THREE STATE
VOLTAGE LEVEL SHIFTER
BASED ON TYPE 40109B
ESA/SCC Detail Specification No. 9407/003**



**space components
coordination group**

Issue/Rev.	Date	Approved by	
		SCCG Chairman	ESA Director General or his Deputy
Issue 3	May 2001		



DOCUMENTATION CHANGE NOTICE

Rev. Letter	Rev. Date	Reference	CHANGE Item	Approved DCR No.
		This Issue supersedes Issue 2 and incorporates all modifications defined in Revisions 'A', 'B' and 'C' to Issue 2 and the changes agreed in the following DCRs:-		
		Cover page		None
		DCN		None
		Para. 1.3	: New sentence added	221602
		Table 1(a)	: Variants 10 and 11 added	221565
		Table 1(b)	: No. 8, Maximum temperature amended	221602
		Figure 2(a)	: Side elevation corrected	221565
			: Dimension 'C' amended	221565
		Figure 2(c)	: In the drawing, Pin No. 20 location corrected	221550
		Figure 2(e)	: New page added	221565
		Notes to Figures	: Title amended	221565
		Figure 3(a)	: Left-hand Title amended	221565
			: "SO" added to comparison Titles	221565
		Para. 4.3.2	: SO package added to the text	221565
		Para. 4.4.2	: SO package added to the text	221565
		Para. 4.5.2	: SO package added to the text	221565
		Para. 4.8.6	: Last sentence deleted, new text added	221602
		Appendix 'A'	: Appendix added	221602

TABLE OF CONTENTS

		<u>Page</u>
1.	<u>GENERAL</u>	5
1.1	Scope	5
1.2	Component Type Variants	5
1.3	Maximum Ratings	5
1.4	Parameter Derating Information	5
1.5	Physical Dimensions	5
1.6	Pin Assignment	5
1.7	Truth Table	5
1.8	Circuit Schematic	5
1.9	Functional Diagram	5
1.10	Handling Precautions	5
1.11	Input Protection Network	5
2.	<u>APPLICABLE DOCUMENTS</u>	14
3.	<u>TERMS, DEFINITIONS, ABBREVIATIONS, SYMBOLS AND UNITS</u>	14
4.	<u>REQUIREMENTS</u>	14
4.1	General	14
4.2	Deviations from Generic Specification	14
4.2.1	Deviations from Special In-process Controls	14
4.2.2	Deviations from Final Production Tests	14
4.2.3	Deviations from Burn-in Tests	14
4.2.4	Deviations from Qualification Tests	15
4.2.5	Deviations from Lot Acceptance Tests	15
4.3	Mechanical Requirements	15
4.3.1	Dimension Check	15
4.3.2	Weight	15
4.4	Materials and Finishes	15
4.4.1	Case	15
4.4.2	Lead Material and Finish	15
4.5	Marking	15
4.5.1	General	15
4.5.2	Lead Identification	15
4.5.3	The SCC Component Number	16
4.5.4	Traceability Information	16
4.6	Electrical Measurements	16
4.6.1	Electrical Measurements at Room Temperature	16
4.6.2	Electrical Measurements at High and Low Temperatures	16
4.6.3	Circuits for Electrical Measurements	16
4.7	Burn-in Tests	16
4.7.1	Parameter Drift Values	16
4.7.2	Conditions for HTRB and Burn-in	16
4.7.3	Electrical Circuits for HTRB and Burn-in	16
4.8	Environmental and Endurance Tests	47
4.8.1	Electrical Measurements on Completion of Environmental Tests	47
4.8.2	Electrical Measurements at Intermediate Points during Endurance Tests	47
4.8.3	Electrical Measurements on Completion of Endurance Tests	47
4.8.4	Conditions for Operating Life Test	47
4.8.5	Electrical Circuits for Operating Life Tests	47
4.8.6	Conditions for High Temperature Storage Test	47

**TABLES**Page

1(a)	Type Variants	6
1(b)	Maximum Ratings	6
2	Electrical Measurements at Room Temperature, d.c. Parameters	17
	Electrical Measurements at Room Temperature, a.c. Parameters	22
3(a)	Electrical Measurements at High Temperature	26
3(b)	Electrical Measurements at Low Temperature	30
4	Parameter Drift Values	42
5(a)	Conditions for Burn-in High Temperature Reverse Bias, N-Channels	43
5(b)	Conditions for Burn-in High Temperature Reverse Bias, P-Channels	43
5(c)	Conditions for Burn-in Dynamic	44
6	Electrical Measurements on Completion of Environmental Tests and at Intermediate Points and on Completion of Endurance Testing	48

FIGURES

1	Not applicable	
2	Physical Dimensions	7
3(a)	Pin Assignment	11
3(b)	Truth Table	11
3(c)	Circuit Schematic	12
3(d)	Functional Diagram	13
3(e)	Input Protection Network	13
4	Circuits for Electrical Measurements	34
5(a)	Electrical Circuit for Burn-in High Temperature Reverse Bias, N-Channels	45
5(b)	Electrical Circuit for Burn-in High Temperature Reverse Bias, P-Channels	45
5(c)	Electrical Circuit for Burn-in Dynamic	46

APPENDICES (Applicable to specific Manufacturers only)

'A'	Agreed Deviations for STMicroelectronics (F)	52
-----	--	----

**1. GENERAL****1.1 SCOPE**

This specification details the ratings, physical and electrical characteristics, test and inspection data for a silicon monolithic, CMOS Quad Low to High Voltage Level Shifter, having fully buffered 3-state outputs, based on Type 40109B. It shall be read in conjunction with ESA/SCC Generic Specification No. 9000, the requirements of which are supplemented herein.

1.2 COMPONENT TYPE VARIANTS

Variants of the basic type integrated circuits specified herein, which are also covered by this specification, are given in Table 1(a).

1.3 MAXIMUM RATINGS

The maximum ratings, which shall not be exceeded at any time during use or storage, applicable to the integrated circuits specified herein, are as scheduled in Table 1(b).

Maximum ratings shall only be exceeded during testing to the extent specified in this specification and when stipulated in Test Methods and Procedures of the applicable ESA/SCC Generic Specification.

1.4 PARAMETER DERATING INFORMATION (FIGURE 1)

Not applicable.

1.5 PHYSICAL DIMENSIONS

As per Figure 2.

1.6 PIN ASSIGNMENT

As per Figure 3(a).

1.7 TRUTH TABLE

As per Figure 3(b).

1.8 CIRCUIT SCHEMATIC

As per Figure 3(c).

1.9 FUNCTIONAL DIAGRAM

As per Figure 3(d).

1.10 HANDLING PRECAUTIONS

These devices are susceptible to damage by electrostatic discharge. Therefore, suitable precautions shall be employed for protection during all phases of manufacture, testing, packaging, shipment and any handling. These components are Catagorised as Class 1 with a Minimum Critical Path Failure Voltage of 400Volts.

1.11 INPUT PROTECTION NETWORK

Double diode protection shall be incorporated into each input as shown in Figure 3(e).

**TABLE 1(a) - TYPE VARIANTS**

VARIANT	CASE	FIGURE	LEAD MATERIAL AND/OR FINISH
01	FLAT	2(a)	G2 or G8
02	FLAT	2(a)	G4
03	D.I.L.	2(b)	G2 or G8
04	D.I.L.	2(b)	G4
07	CHIP CARRIER	2(c)	2
08	D.I.L.	2(d)	G2
09	D.I.L.	2(d)	G4
10	SO CERAMIC	2(e)	G2
11	SO CERAMIC	2(e)	G4

TABLE 1(b) - MAXIMUM RATINGS

NO.	CHARACTERISTICS	SYMBOL	MAXIMUM RATINGS	UNIT	REMARKS
1	Supply Voltage	V_{DD}, V_{CC}	-0.5 to +18	V	Note 1
2	Input Voltage	V_{IN}	-0.5 to +18.5	V	Note 2 Power on
3	D.C. Input Current	$\pm I_{IN}$	10	mA	Note 3
4	D.C. Output Current	$\pm I_O$	10	mA	Note 4
5	Device Dissipation	P_D	200	mWdc	Per Package
6	Output Dissipation	P_{DSO}	100	mWdc	Note 5
7	Operating Temperature Range	T_{op}	-55 to +125	°C	-
8	Storage Temperature Range	T_{stg}	-65 to +150	°C	-
9	Soldering Temperature For FP and DIP For CCP	T_{sol}	+300 +245	°C	Note 6 Note 7

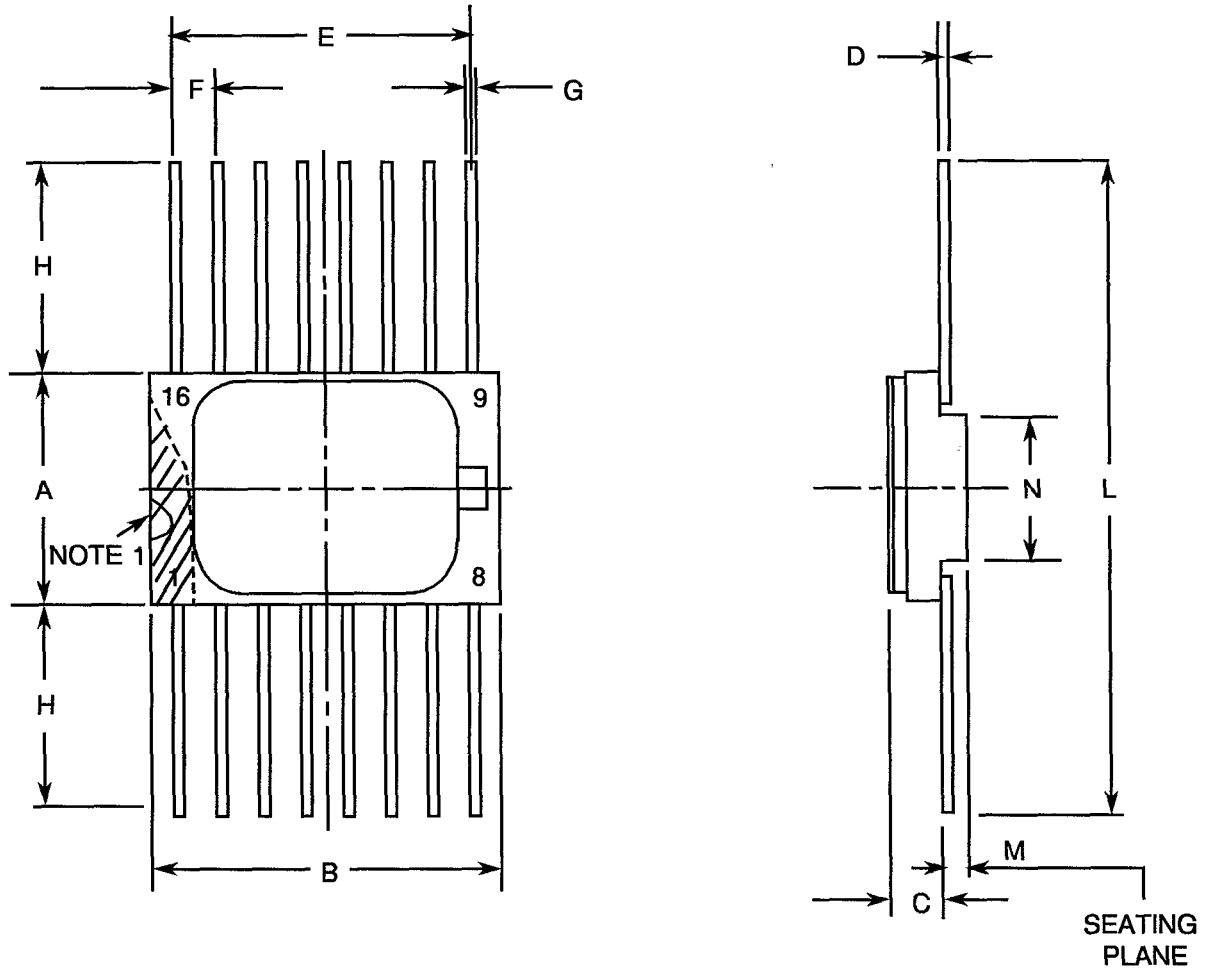
NOTES

- Device is functional from +3V to +15V with reference to V_{SS} .
- V_{IN} may exceed V_{CC} and V_{DD} .
- Any 1 input.
- The maximum output current of any single output.
- The maximum power dissipation of any single output.
- Duration 10 seconds maximum at a distance of not less than 1.5mm from the device body and the same lead shall not be resoldered until 3 minutes have elapsed.
- Duration 30 seconds maximum and the same terminal shall not be resoldered until 3 minutes have elapsed.



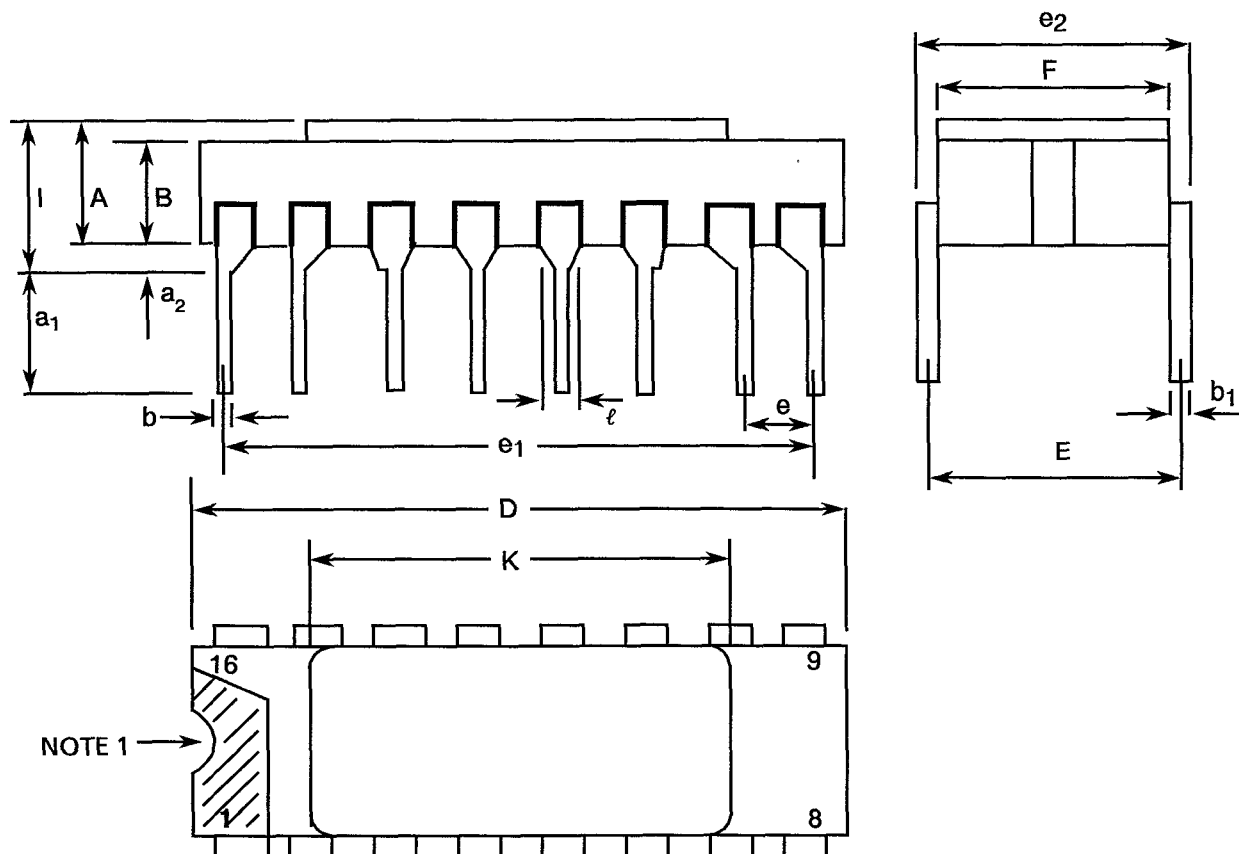
FIGURE 2 - PHYSICAL DIMENSIONS

FIGURE 2(a) - FLAT PACKAGE, 16-PIN



SYMBOL	MILLIMETRES		NOTES
	MIN	MAX	
A	6.75	7.06	
B	9.76	10.14	
C	1.49	1.95	
D	0.102	0.152	3
E	8.76	9.01	
F	1.27	TYPICAL	4
G	0.38	0.48	3
H	6.0	-	3
L	18.75	22.0	
M	0.33	0.43	
N	4.31	TYPICAL	

NOTES: See Page 12.

FIGURE 2 - PHYSICAL DIMENSIONS (CONTINUED)
FIGURE 2(b) - DUAL-IN-LINE PACKAGE, 16-PIN


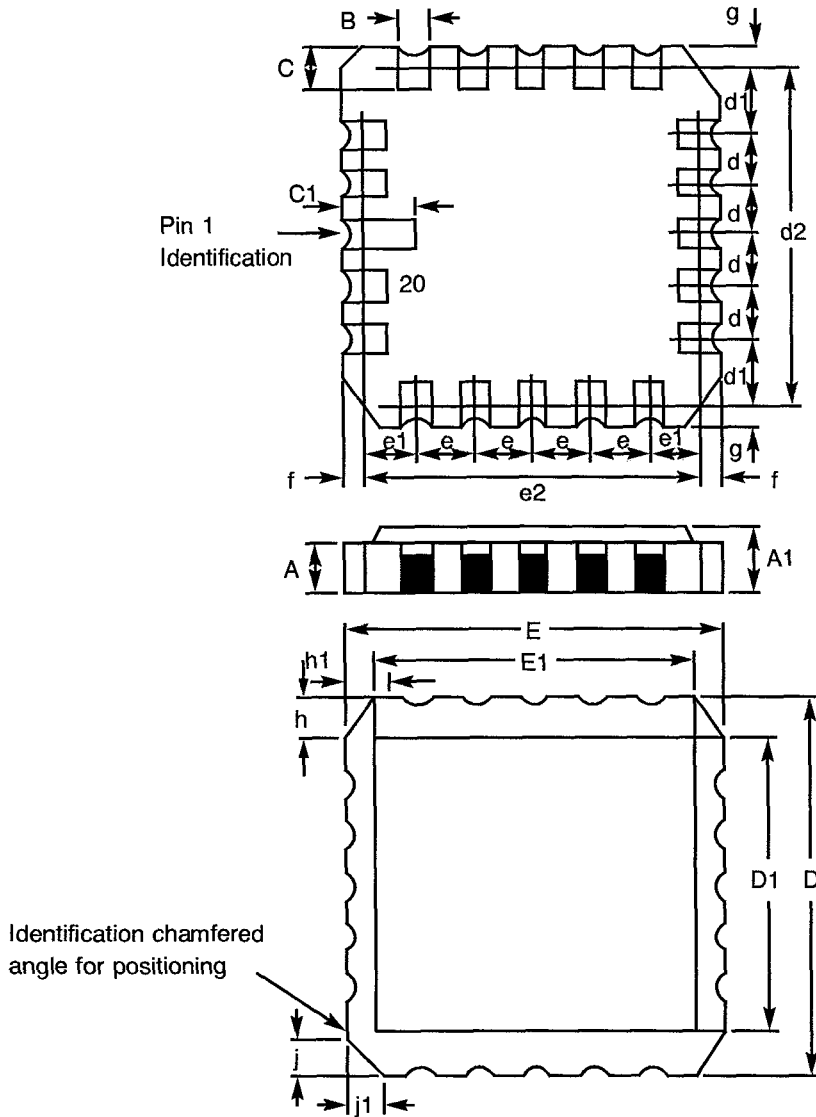
SYMBOL	MILLIMETRES		NOTES
	MIN	MAX	
A	2.10	2.54	
a ₁	3.0	3.7	
a ₂	0.63	1.14	2
B	1.82	2.23	
b	0.40	0.50	3
b ₁	0.20	0.30	3
D	18.79	19.20	
E	7.36	7.87	
e	2.41	2.67	4
e ₁	17.65	17.90	
e ₂	7.62	8.12	
F	7.11	7.62	
l	-	3.70	
K	10.90	12.10	
l	1.27	TYPICAL	

NOTES: See Page 12.



FIGURE 2 - PHYSICAL DIMENSIONS (CONTINUED)

FIGURE 2(c) - CHIP CARRIER - 20-TERMINAL



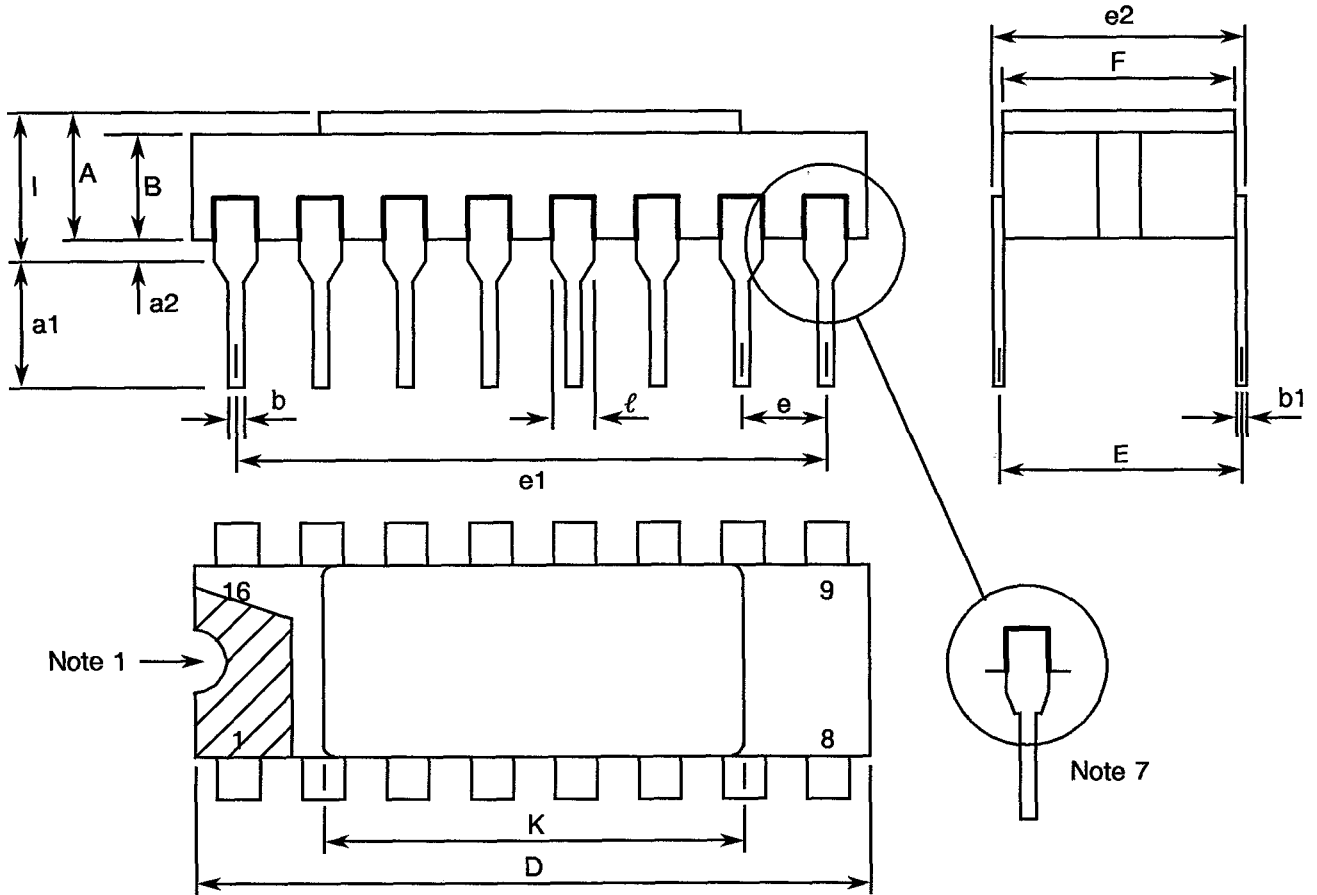
DIMENSIONS	MILLIMETRES		NOTES
	MIN	MAX	
A	1.14	1.95	
A1	1.63	2.36	
B	0.55	0.72	3
C	1.06	1.47	3
C ₁	1.91	2.41	
D	8.67	9.09	
D1	7.21	7.52	
d, d1	1.27	TYPICAL	4
d2	7.62	TYPICAL	
E	8.67	9.09	
E1	7.21	7.52	
e, e1	1.27	TYPICAL	4
e2	7.62	TYPICAL	
f, g	-	0.76	
h, h1	1.01	TYPICAL	6
j, j1	0.51	TYPICAL	5

NOTES: See Page 12.



FIGURE 2 - PHYSICAL DIMENSIONS (CONTINUED)

FIGURE 2(d) - DUAL-IN-LINE PACKAGE, 16-PIN



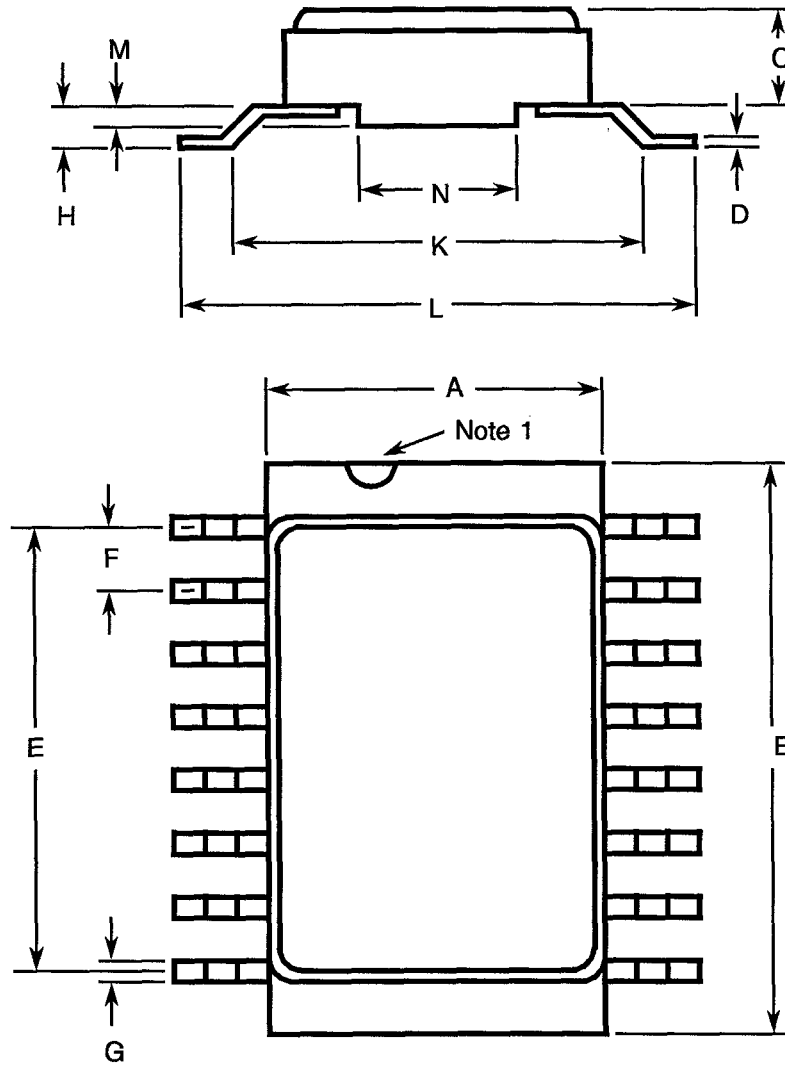
SYMBOL	MILLIMETRES		NOTES
	MIN	MAX	
A	2.10	2.71	
a1	3.00	3.70	
a2	0.63	1.14	2
B	1.82	2.39	
b	0.40	0.50	3
b1	0.20	0.30	3
D	20.06	20.58	
E	7.36	7.87	
e	2.54 TYPICAL		4
e1	17.65	17.90	
e2	7.62	8.12	
F	7.29	7.70	
I	-	3.83	
K	10.90	12.10	
l	1.14	1.50	

NOTES: See Page 12.



FIGURE 2 - PHYSICAL DIMENSIONS (CONTINUED)

FIGURE 2(e) - SMALL OUTLINE CERAMIC PACKAGE, 16-PIN



SYMBOL	MILLIMETRES		NOTES
	MIN.	MAX.	
A	6.75	7.06	
B	9.76	10.14	
C	1.49	1.95	
D	0.102	0.152	3
E	8.76	9.01	
F	1.27 TYPICAL		4
G	0.38	0.48	3
H	0.60	0.90	3
K	9.00 TYPICAL		
L	10	10.65	
M	0.33	0.43	
N	4.31 TYPICAL		

NOTES: See Page 12.



FIGURE 2 - PHYSICAL DIMENSIONS (CONTINUED)

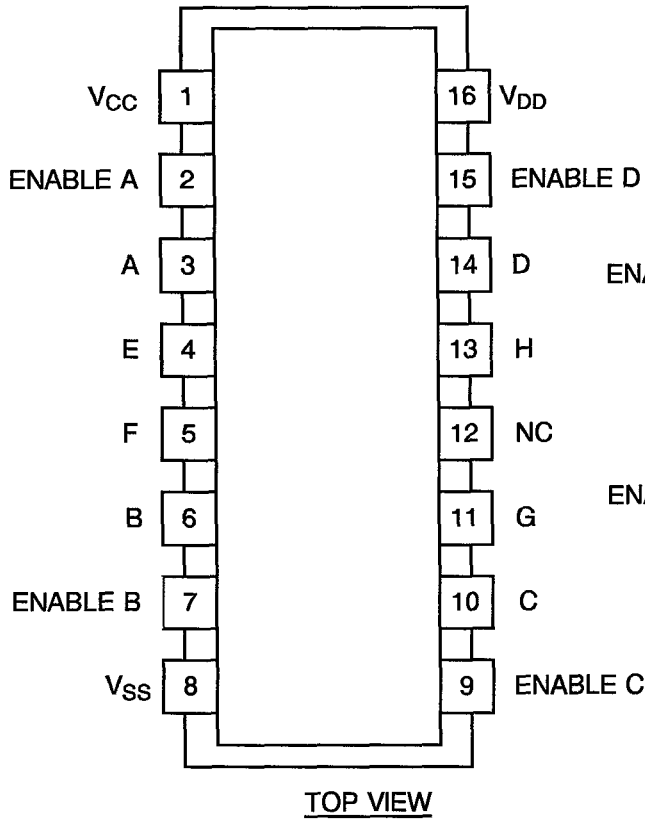
NOTES TO FIGURES 2(a) TO 2(e) INCLUSIVE

1. Index area: a notch, letter or dot shall be located adjacent to Pin 1 and shall be within the shaded area shown. For chip carrier packages the index shall be as defined in Figure 2(c).
2. The dimension shall be measured from the seating plane to the base plane.
3. All leads or terminals.
4. 16-pin packages : 14 spaces.
20-terminal packages : 12 spaces.
5. Index corner only.
6. Three non-index corners.
7. For all pins, either pin shape may be supplied.

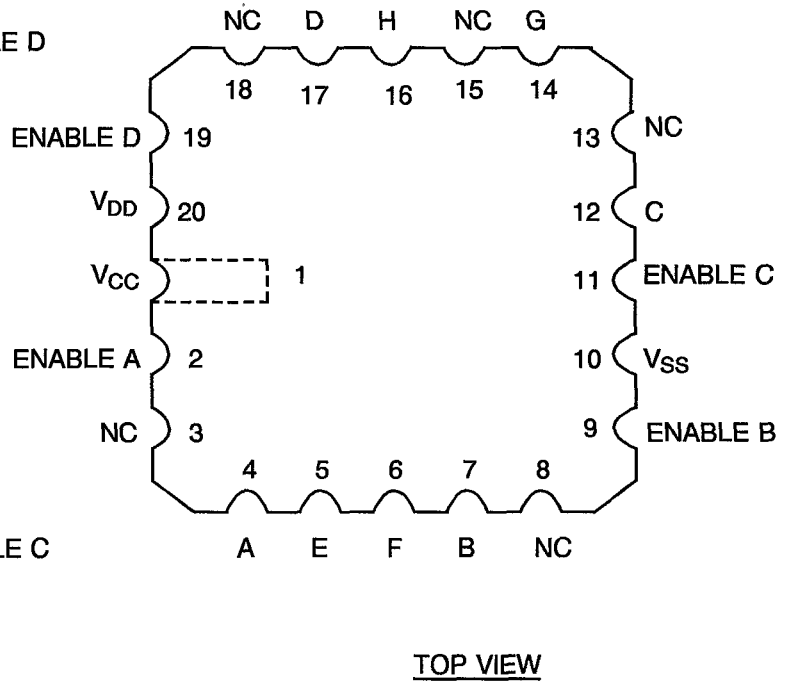


FIGURE 3(a) - PIN ASSIGNMENT

DUAL-IN-LINE AND FLAT PACKAGE



CHIP CARRIER PACKAGE



FLAT PACKAGE, SO AND DUAL-IN-LINE TO CHIP CARRIER PIN ASSIGNMENT

FLAT PACKAGE, SO AND DUAL-IN-LINE PIN OUTS	1	2	3	4	5	6	7	8	9	10	11	12	13	14	15	16
CHIP CARRIER PIN OUTS	1	2	4	5	6	7	9	10	11	12	14	15	16	17	19	20

FIGURE 3(b) - TRUTH TABLE

MODE	INPUTS		OUTPUTS
	A, B, C, D	ENABLE A, B, C, D	E, F, G, H
LOW TO HIGH LEVEL SHIFT	L	H	L
	H	H	H
	X	L	Z

NOTES 1. Logic Level Definitions: L = V_{SS} , X = Don't Care, Z = High Impedance, H (Inputs) = V_{CC} , H (Outputs) = V_{DD} .



FIGURE 3(c) - CIRCUIT SCHEMATIC (EACH GATE)

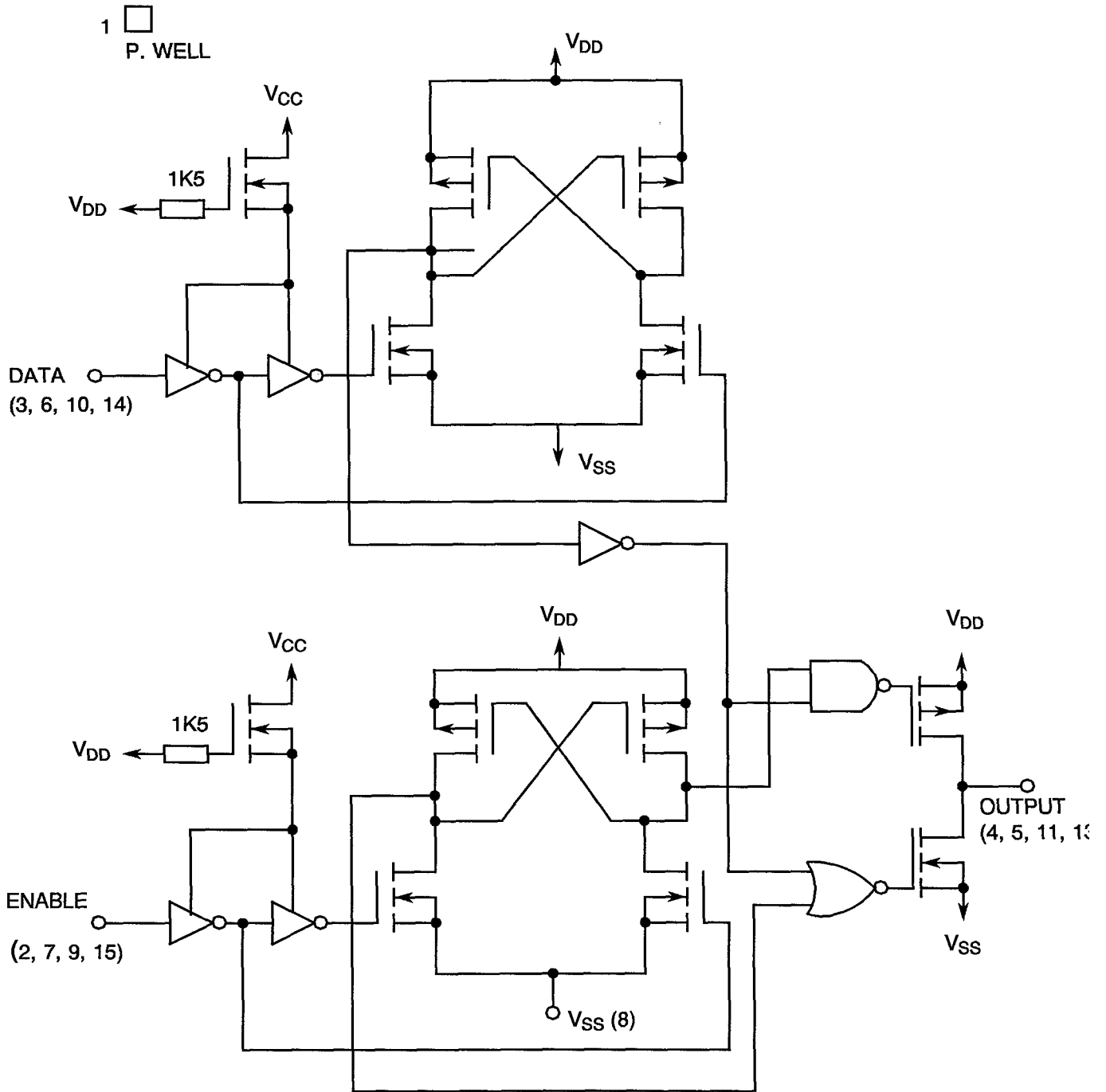




FIGURE 3(d) - FUNCTIONAL DIAGRAM (PER GATE)

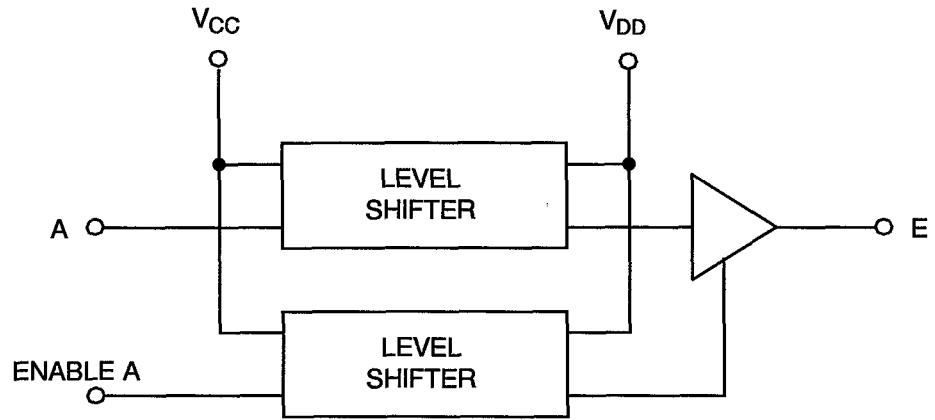
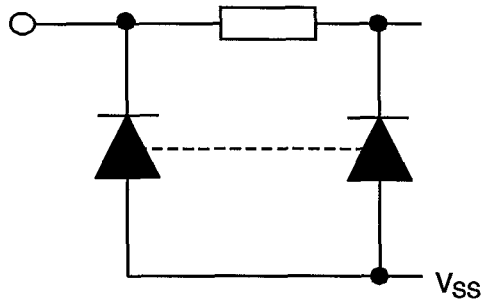


FIGURE 3(e) - INPUT PROTECTION NETWORK



**2. APPLICABLE DOCUMENTS**

The following documents form part of this specification and shall be read in conjunction with it:-

- (a) ESA/SCC Generic Specification No. 9000 for Integrated Circuits.
- (b) MIL-STD-883, Test Methods and Procedures for Micro-electronics.

3. TERMS, DEFINITIONS, ABBREVIATIONS, SYMBOLS AND UNITS

For the purpose of this specification, the terms, definitions, abbreviations, symbols and units specified in ESA/SCC Basic Specification No. 21300 shall apply. In addition, the following abbreviations are used:

V_{IC}	=	Input Clamp Voltage
P_{DSO}	=	Single Output Power Dissipation
CKT	=	Circuit
I_{OZ}	=	Output Leakage Current Third State
t_{PHZ}	=	Propagation Delay, High Output to High Impedance
t_{PZH}	=	Propagation Delay, High Impedance to High Output
t_{PLZ}	=	Propagation Delay, Low Output to High Impedance
t_{PZL}	=	Propagation Delay, High Impedance to Low Output

4. REQUIREMENTS**4.1 GENERAL REQUIREMENTS**

The complete requirements for procurement of the integrated circuits specified herein are stated in this specification and ESA/SCC Generic Specification No. 9000 for Integrated Circuits. Deviations from the Generic Specification, applicable to this specification only, are listed in Para. 4.2.

Deviations from the applicable Generic Specification and this Detail Specification, formally agreed with specific Manufacturers on the basis that the alternative requirements are equivalent to the ESA/SCC requirement and do not affect the components' reliability, are listed in the appendices attached to this specification.

4.2 DEVIATIONS FROM GENERIC SPECIFICATION**4.2.1 Deviations from Special In-process Controls**

None.

4.2.2 Deviations from Final Production Tests (Chart II)

None.

4.2.3 Deviations from Burn-in Tests (Chart III)**4.2.3.1 Deviations from High Temperature Reverse Bias (H.T.R.B.)**

Prior to operating power burn-in, a high temperature reverse bias (H.T.R.B.) screen at +125°C shall be added for the N-Channel and then for the P-Channel in accordance with Tables 5(a) and 5(b) of this specification. Each exposure to H.T.R.B. shall be 72 hours and Table 4 Parameter Drift Values shall be applied at 0 and 144 hours.

**4.2.4 Deviations from Qualification Tests (Chart IV)**

None.

4.2.5 Deviations from Lot Acceptance Tests (Chart V)

None.

4.3 MECHANICAL REQUIREMENTS**4.3.1 Dimension Check**

The dimensions of the integrated circuits specified herein shall be checked. They shall conform to those shown in Figure 2.

4.3.2 Weight

The maximum weight of the integrated circuits specified herein shall be 1.5 grammes for the dual-in-line package, 0.6 grammes for the flat and SO packages and 0.52 grammes for the chip carrier package.

4.4 MATERIALS AND FINISHES

The materials shall be as specified herein. Where a definite material is not specified, a material which will enable the integrated circuits specified herein to meet the performance requirements of this specification shall be used. Acceptance or approval of any constituent material does not guarantee acceptance of the finished product.

4.4.1 Case

The case shall be hermetically sealed and have a metal body with hard glass seals or a ceramic body and the lids shall be welded, brazed or preform-soldered.

4.4.2 Lead Material and Finish

For dual-in-line and flat packages, the material shall be Type 'G' with either Type '4' or Type '2 or 8' finish in accordance with ESA/SCC Basic Specification No. 23500. For chip carrier packages the finish shall be Type '2' in accordance with ESA/SCC Basic Specification No. 23500. For SO ceramic packages, the material shall be Type 'G' with either Type '2' or Type '4' finish in accordance with ESA/SCC Basic Specification No. 23500. (See Table 1(a) for Type Variants).

4.5 MARKING**4.5.1 General**

The marking of all components delivered to this specification shall be in accordance with the requirements of ESA/SCC Basic Specification No. 21700. Each component shall be marked in respect of:-

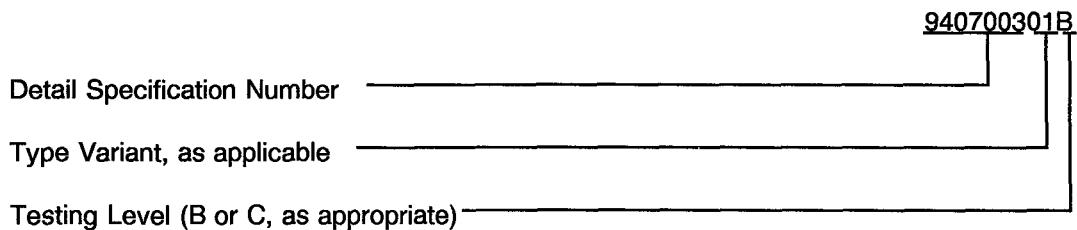
- (a) Lead Identification.
- (b) The SCC Component Number.
- (c) Traceability Information.

4.5.2 Lead Identification

For dual-in-line, flat and SO packages, an index shall be located at the top of the package in the position defined in Note 1 to Figure 2 or, alternatively, a tab may be used to identify Pin No. 1. The pin numbering must be read with the index or tab on the left-hand side. For chip carrier packages, the index shall be as defined by Figure 2(c).

4.5.3 The SCC Component Number

Each component shall bear the SCC Component Number which shall be constituted and marked as follows:



4.5.4 Traceability Information

Each component shall be marked in respect of traceability information in accordance with the requirements of ESA/SCC Basic Specification No. 21700.

4.6 ELECTRICAL MEASUREMENTS

4.6.1 Electrical Measurements at Room Temperature

The parameters to be measured in respect of electrical characteristics are scheduled in Table 2. Unless otherwise specified, the measurements shall be performed at $T_{amb} = +22 \pm 3 \text{ }^\circ\text{C}$.

4.6.2 Electrical Measurements at High and Low Temperatures

The parameters to be measured at high and low temperatures are scheduled in Table 3. The measurements shall be performed at $T_{amb} = +125(+0-5) \text{ }^\circ\text{C}$ and $-55(+5-0) \text{ }^\circ\text{C}$ respectively.

4.6.3 Circuits for Electrical Measurements

Circuits and functional test sequence for use in performing electrical measurements listed in Tables 2 and 3 of this specification are shown in Figure 4.

4.7 BURN-IN TESTS

4.7.1 Parameter Drift Values

The parameter drift values applicable to burn-in are specified in Table 4 of this specification. Unless otherwise stated, measurements shall be performed at $+22 \pm 3 \text{ }^\circ\text{C}$. The parameter drift values (Δ) applicable to the parameters scheduled, shall not be exceeded. In addition to these drift value requirements, the appropriate limit value specified for a given parameter in Table 2 shall not be exceeded.

4.7.2 Conditions for H.T.R.B. and Burn-in

The requirements for H.T.R.B. and Burn-in are specified in Section 7 of ESA/SCC Generic Specification No. 9000. The conditions for H.T.R.B. and Burn-in shall be as specified in Tables 5(a), 5(b) and 5(c) of this specification.

4.7.3 Electrical Circuits for H.T.R.B and Burn-in

Circuits for use in performing the H.T.R.B. and Burn-in tests are shown in Figures 5(a), 5(b) and 5(c) of this specification.



TABLE 2 - ELECTRICAL MEASUREMENTS AT ROOM TEMPERATURE - d.c. PARAMETERS

NO.	CHARACTERISTICS	SYMBOL	TEST METHOD MIL-STD 883	TEST FIG.	TEST CONDITIONS (PINS UNDER TEST D/F = DIP AND FP C = CCP)	LIMITS		UNIT
						MIN	MAX	
1	Functional Test	-	-	4(a)	Verify Truth Table without Load. $V_{DD} = 3V_{dc}$, $V_{SS} = 0V_{dc}$ $V_{CC} = 3V_{dc}$ Notes 1 and 2	-	-	-
2	Functional Test	-	-	4(a)	Verify Truth Table without Load. $V_{DD} = 15V_{dc}$, $V_{SS} = 0V_{dc}$ $V_{CC} = 15V_{dc}$ Notes 1 and 2	-	-	-
3 to 4	Quiescent Current	I_{DD}	3005	4(b)	$V_{IL} = 0V_{dc}$, $V_{IH} = 15V_{dc}$ $V_{DD} = 15V_{dc}$, $V_{SS} = 0V_{dc}$ $V_{CC} = 15V_{dc}$ Note 3 (Pin D/F 16) (Pin C 20)	-	500	nA
5 to 12	Input Current Low Level	I_{IL}	3009	4(c)	V_{IN} (Under Test) = $0V_{dc}$ V_{IN} (Remaining Inputs) = $15V_{dc}$ $V_{DD} = 15V_{dc}$, $V_{SS} = 0V_{dc}$ $V_{CC} = 15V_{dc}$ (Pins D/F 2-3-6-7-9-10-14-15) (Pins C 2-4-7-9-11-12-17-19)	-	-50	nA
13 to 20	Input Current High Level	I_{IH}	3010	4(d)	V_{IN} (Under Test) = $15V_{dc}$ V_{IN} (Remaining Inputs) = $0V_{dc}$ $V_{DD} = 15V_{dc}$, $V_{SS} = 0V_{dc}$ $V_{CC} = 15V_{dc}$ (Pins D/F 2-3-6-7-9-10-14-15) (Pins C 2-4-7-9-11-12-17-19)	-	50	nA
21 to 24	Output Voltage Low Level	V_{OL}	3007	4(e)	Gate Under Test: V_{IN} (Enable) = $15V_{dc}$ V_{IN} (Other Input) = $0V_{dc}$ $V_{OUT} = \text{Open}$ All Other Gates: V_{IN} (Enable) = $15V_{dc}$ V_{IN} (Other Input) = $0V_{dc}$ $V_{DD} = 15V_{dc}$, $V_{SS} = 0V_{dc}$ $V_{CC} = 5V_{dc}$ (Pins D/F 4-5-11-13) (Pins C 5-6-14-16)	-	0.05	V

NOTES: See Page 23.

**TABLE 2 - ELECTRICAL MEASUREMENTS AT ROOM TEMPERATURE - d.c. PARAMETERS (CONT'D)**

NO.	CHARACTERISTICS	SYMBOL	TEST METHOD MIL-STD 883	TEST FIG.	TEST CONDITIONS (PINS UNDER TEST D/F = DIP AND FP C = CCP)	LIMITS		UNIT
						MIN	MAX	
25 to 28	Output Voltage High Level	V_{OH}	3006	4(f)	Gate Under Test: V_{IN} (Enable) = 15Vdc V_{IN} (Other Input) = 15Vdc V_{OUT} = Open All Other Gates: V_{IN} = 15Vdc V_{DD} = 15Vdc, V_{SS} = 0Vdc V_{CC} = 5Vdc (Pins D/F 4-5-11-13) (Pins C 5-6-14-16)	14.95	-	V
29 to 32	Output Drive Current N-Channel	I_{OL1}	-	4(g)	Gate Under Test: V_{IN} (Enable) = 5Vdc V_{IN} (Other Input) = 0Vdc V_{OUT} = 0.4Vdc All Other Gates: V_{IN} (Enable) = 5Vdc V_{IN} (Other Input) = 0Vdc V_{DD} = 5Vdc, V_{SS} = 0Vdc V_{CC} = 5Vdc Note 4 (Pins D/F 4-5-11-13) (Pins C 5-6-14-16)	0.51	-	mA
33 to 36	Output Drive Current N-Channel	I_{OL2}	-	4(g)	Gate Under Test: V_{IN} (Enable) = 15Vdc V_{IN} (Other Input) = 0Vdc V_{OUT} = 1.5Vdc All Other Gates: V_{IN} (Enable) = 15Vdc V_{IN} (Other Input) = 0Vdc V_{DD} = 15Vdc, V_{SS} = 0Vdc V_{CC} = 5Vdc Note 4 (Pins D/F 4-5-11-13) (Pins C 5-6-14-16)	3.4	-	mA
37 to 40	Output Drive Current P-Channel	I_{OH1}	-	4(h)	Gate Under Test: V_{IN} (Enable) = 5Vdc V_{IN} (Other Input) = 5Vdc V_{OUT} = 4.6Vdc All Other Gates: V_{IN} = 5Vdc V_{DD} = 5Vdc, V_{SS} = 0Vdc V_{CC} = 5Vdc Note 4 (Pins D/F 4-5-11-13) (Pins C 5-6-14-16)	-0.51	-	mA

NOTES: See Page 23.

**TABLE 2 - ELECTRICAL MEASUREMENTS AT ROOM TEMPERATURE - d.c. PARAMETERS (CONT'D)**

NO.	CHARACTERISTICS	SYMBOL	TEST METHOD MIL-STD 883	TEST FIG.	TEST CONDITIONS (PINS UNDER TEST D/F = DIP AND FP C = CCP)	LIMITS		UNIT
						MIN	MAX	
41 to 44	Output Drive Current P-Channel	I_{OH2}	-	4(h)	Gate Under Test: V_{IN} (Enable) = 15Vdc V_{IN} (Other Input) = 15Vdc V_{OUT} = 13.5Vdc All Other Gates: V_{IN} = 15Vdc V_{DD} = 15Vdc, V_{SS} = 0Vdc V_{CC} = 5Vdc Note 4 (Pins D/F 4-5-11-13) (Pins C 5-6-14-16)	-3.4	-	mA
45 to 48	Output Leakage Current Third State (1)	I_{OZ1}	-	4(i)	Gate Under Test: V_{IN} (Enable) = 0Vdc V_{IN} (Other Input) = 0Vdc V_{OUT} = 15Vdc All Other Gates: V_{IN} = 0Vdc V_{DD} = 18Vdc, V_{SS} = 0Vdc V_{CC} = 5Vdc (Pins D/F 4-5-11-13) (Pins C 5-6-14-16)	-	400	nA
49 to 52	Output Leakage Current Third State (2)	I_{OZ2}	-	4(i)	Gate Under Test: V_{IN} (Enable) = 0Vdc V_{IN} (Other Input) = 0Vdc V_{OUT} = 0Vdc All Other Gates: V_{IN} = 0Vdc V_{DD} = 18Vdc, V_{SS} = 0Vdc V_{CC} = 5Vdc (Pins D/F 4-5-11-13) (Pins C 5-6-14-16)	-	-400	nA
53 to 56	Input Voltage Low Level (Noise Immunity)	V_{IL1}	-	4(j)	Gate Under Test: V_{IN} (Enable) = 3.5Vdc V_{IN} (Other Input) = 1.5Vdc All Other Gates: V_{IN} = 0Vdc V_{DD} = 5Vdc, V_{SS} = 0Vdc V_{CC} = 5Vdc (Pins D/F 4-5-11-13) (Pins C 5-6-14-16)	-	0.5	V

NOTES: See Page 23.

**TABLE 2 - ELECTRICAL MEASUREMENTS AT ROOM TEMPERATURE - d.c. PARAMETERS (CONT'D)**

NO.	CHARACTERISTICS	SYMBOL	TEST METHOD MIL-STD 883	TEST FIG.	TEST CONDITIONS (PINS UNDER TEST D/F = DIP AND FP C = CCP)	LIMITS		UNIT
						MIN	MAX	
57 to 60	Input Voltage Low Level (Noise Immunity)	V_{IL2}	-	4(j)	Gate Under Test: V_{IN} (Enable) = 11Vdc V_{IN} (Other Input) = 4Vdc All Other Gates: $V_{IN} = 0Vdc$ $V_{DD} = 15Vdc$, $V_{SS} = 0Vdc$ $V_{CC} = 15Vdc$ (Pins D/F 4-5-11-13) (Pins C 5-6-14-16)	-	1.5	V
61 to 64	Input Voltage High Level (Noise Immunity)	V_{IH1}	-	4(k)	Gate Under Test: V_{IN} (Enable) = 3.5Vdc V_{IN} (Other Input) = 3.5Vdc All Other Gates: $V_{IN} = 0Vdc$ $V_{DD} = 5Vdc$, $V_{SS} = 0Vdc$ $V_{CC} = 5Vdc$ (Pins D/F 4-5-11-13) (Pins C 5-6-14-16)	4.5	-	V
65 to 68	Input Voltage High Level (Noise Immunity)	V_{IH2}	-	4(k)	Gate Under Test: V_{IN} (Enable) = 11Vdc V_{IN} (Other Input) = 11Vdc All Other Gates: $V_{IN} = 0Vdc$ $V_{DD} = 15Vdc$, $V_{SS} = 0Vdc$ $V_{CC} = 15Vdc$ (Pins D/F 4-5-11-13) (Pins C 5-6-14-16)	13.5	-	V
69	Threshold Voltage N-Channel	V_{THN}	-	4(l)	A Input at Ground All Other Inputs: $V_{IN} = 5Vdc$ $V_{DD} = 12Vdc$, $I_{SS} = -10\mu A$ $V_{CC} = 5Vdc$ (Pin D/F 8) (Pin C 10)	-0.7	-3.0	V
70	Threshold Voltage P-Channel	V_{THP}	-	4(m)	A Input at Ground All Other Inputs: $V_{IN} = -5Vdc$ $V_{DD} = 7Vdc$ $V_{SS} = -5Vdc$, $I_{CC} = 10\mu A$ (Pin D/F 1) (Pin C 1)	0.7	3.0	V

NOTES: See Page 23.

**TABLE 2 - ELECTRICAL MEASUREMENTS AT ROOM TEMPERATURE - d.c. PARAMETERS (CONT'D)**

NO.	CHARACTERISTICS	SYMBOL	TEST METHOD MIL-STD 883	TEST FIG.	TEST CONDITIONS (PINS UNDER TEST D/F = DIP AND FP C = CCP)	LIMITS		UNIT
						MIN	MAX	
71 to 78	Input Clamp Voltage (to V_{SS})	V_{IC1}	-	4(n)	I_{IN} (Under Test) = $-100\mu A$ V_{DD} = Open, V_{SS} = $0V_{dc}$ V_{CC} = $0V_{dc}$ All Other Pins Open (Pins D/F 2-3-6-7-9-10-14-15) (Pins C 2-4-7-9-11-12-17-19)	-	-2.0	V

NOTES

- GO-NO-GO Test, each pattern of Test Table 4(a).
 $V_{OH} \geq V_{DD} - 0.5V_{dc}$ $V_{OL} \leq 0.5V_{dc}$
- Maximum time to output comparator strobe $300\mu sec$.
- Test is performed with switch in both positions shown in Figure 4(b).
- Interchange of forcing and measuring function is permitted.
- Measurement performed on a sample basis LTPD 7, or less, with a Capacitance Bridge connected between each input under test and V_{SS} , only for Lots where LAT Level 2 is to be performed. (For LTPD sampling plan, see Annexe I of ESA/SCC 9000).
- Measurement performed on a sample basis LTPD 7, or less (see Annexe I of ESA/SCC 9000).

**TABLE 2 - ELECTRICAL MEASUREMENTS AT ROOM TEMPERATURE - a.c. PARAMETERS**

NO.	CHARACTERISTICS	SYMBOL	TEST METHOD MIL-STD 883	TEST FIG.	TEST CONDITIONS (PINS UNDER TEST D/F = DIP AND FP C = CCP)	LIMITS		UNIT										
						MIN	MAX											
79 to 86	Input Capacitance	C_{IN}	3012	4(o)	V_{IN} (Not under Test) = 0Vdc $V_{DD} = V_{SS} = V_{CC} = 0Vdc$ Note 5 (Pins D/F 2-3-6-7-9-10-14-15) (Pins C 2-4-7-9-11-12-17-19)	-	10	pF										
87 to 90	Propagation Delay Low to High (Shifting Mode Low to High)	t_{PLH1}	3003	4(p)	V_{IN} (Under Test) = Pulse Generator V_{IN} (All Other Inputs) = 5Vdc $V_{CC} = 5Vdc$ $V_{DD} = 10Vdc, V_{SS} = 0Vdc$ Note 6 <table border="0"> <tr> <td><u>Pins D/F</u></td> <td><u>Pins C</u></td> </tr> <tr> <td>3 to 4</td> <td>4 to 5</td> </tr> <tr> <td>6 to 5</td> <td>7 to 6</td> </tr> <tr> <td>10 to 11</td> <td>12 to 14</td> </tr> <tr> <td>14 to 13</td> <td>17 to 16</td> </tr> </table>	<u>Pins D/F</u>	<u>Pins C</u>	3 to 4	4 to 5	6 to 5	7 to 6	10 to 11	12 to 14	14 to 13	17 to 16	-	260	ns
<u>Pins D/F</u>	<u>Pins C</u>																	
3 to 4	4 to 5																	
6 to 5	7 to 6																	
10 to 11	12 to 14																	
14 to 13	17 to 16																	
91 to 94	Propagation Delay Low to High (Shifting Mode High to Low)	t_{PLH2}	3003	4(p)	V_{IN} (Under Test) = Pulse Generator V_{IN} (All Other Inputs) = 10Vdc $V_{CC} = 10Vdc$ $V_{DD} = 5Vdc, V_{SS} = 0Vdc$ Note 6 <table border="0"> <tr> <td><u>Pins D/F</u></td> <td><u>Pins C</u></td> </tr> <tr> <td>3 to 4</td> <td>4 to 5</td> </tr> <tr> <td>6 to 5</td> <td>7 to 6</td> </tr> <tr> <td>10 to 11</td> <td>12 to 14</td> </tr> <tr> <td>14 to 13</td> <td>17 to 16</td> </tr> </table>	<u>Pins D/F</u>	<u>Pins C</u>	3 to 4	4 to 5	6 to 5	7 to 6	10 to 11	12 to 14	14 to 13	17 to 16	-	460	ns
<u>Pins D/F</u>	<u>Pins C</u>																	
3 to 4	4 to 5																	
6 to 5	7 to 6																	
10 to 11	12 to 14																	
14 to 13	17 to 16																	
95 to 98	Propagation Delay High to Low (Shifting mode Low to High)	t_{PHL1}	3003	4(p)	V_{IN} (Under Test) = Pulse Generator V_{IN} (All Other Inputs) = 5Vdc $V_{CC} = 5Vdc$ $V_{DD} = 10Vdc, V_{SS} = 0Vdc$ Note 6 <table border="0"> <tr> <td><u>Pins D/F</u></td> <td><u>Pins C</u></td> </tr> <tr> <td>3 to 4</td> <td>4 to 5</td> </tr> <tr> <td>6 to 5</td> <td>7 to 6</td> </tr> <tr> <td>10 to 11</td> <td>12 to 14</td> </tr> <tr> <td>14 to 13</td> <td>17 to 16</td> </tr> </table>	<u>Pins D/F</u>	<u>Pins C</u>	3 to 4	4 to 5	6 to 5	7 to 6	10 to 11	12 to 14	14 to 13	17 to 16	-	600	ns
<u>Pins D/F</u>	<u>Pins C</u>																	
3 to 4	4 to 5																	
6 to 5	7 to 6																	
10 to 11	12 to 14																	
14 to 13	17 to 16																	

NOTES: See Page 23.



TABLE 2 - ELECTRICAL MEASUREMENTS AT ROOM TEMPERATURE - a.c. PARAMETERS (CONT'D)

NO.	CHARACTERISTICS	SYMBOL	TEST METHOD MIL-STD 883	TEST FIG.	TEST CONDITIONS (PINS UNDER TEST D/F = DIP AND FP C = CCP)	LIMITS		UNIT										
						MIN	MAX											
99 to 102	Propagation Delay High to Low(Shifting Mode High to Low)	t_{PHL2}	3003	4(p)	V_{IN} (Under Test) = Pulse Generator V_{IN} (All Other Inputs) = 10Vdc V_{CC} = 10Vdc V_{DD} = 5Vdc, V_{SS} = 0Vdc Note 6 <table style="margin-left: 20px;"> <tr> <td style="border-bottom: 1px solid black;">Pins D/F</td> <td style="border-bottom: 1px solid black;">Pins C</td> </tr> <tr> <td>3 to 4</td> <td>4 to 5</td> </tr> <tr> <td>6 to 5</td> <td>7 to 6</td> </tr> <tr> <td>10 to 11</td> <td>12 to 14</td> </tr> <tr> <td>14 to 13</td> <td>17 to 16</td> </tr> </table>	Pins D/F	Pins C	3 to 4	4 to 5	6 to 5	7 to 6	10 to 11	12 to 14	14 to 13	17 to 16	-	1600	ns
Pins D/F	Pins C																	
3 to 4	4 to 5																	
6 to 5	7 to 6																	
10 to 11	12 to 14																	
14 to 13	17 to 16																	
103 to 106	Propagation Delay 3-State Disable, Output High to High Impedance (Shifting Mode Low to High)	t_{PHZ1}	3003	4(q)	V_{IN} (Enable Inputs) = Pulse Generator V_{IN} (All Other Inputs) = 5Vdc V_{CC} = 5Vdc V_{DD} = 10Vdc, V_{SS} = 0Vdc Note 6 <table style="margin-left: 20px;"> <tr> <td style="border-bottom: 1px solid black;">Pins D/F</td> <td style="border-bottom: 1px solid black;">Pins C</td> </tr> <tr> <td>2 to 4</td> <td>2 to 5</td> </tr> <tr> <td>7 to 5</td> <td>9 to 6</td> </tr> <tr> <td>9 to 11</td> <td>11 to 14</td> </tr> <tr> <td>15 to 13</td> <td>19 to 16</td> </tr> </table>	Pins D/F	Pins C	2 to 4	2 to 5	7 to 5	9 to 6	9 to 11	11 to 14	15 to 13	19 to 16	-	120	ns
Pins D/F	Pins C																	
2 to 4	2 to 5																	
7 to 5	9 to 6																	
9 to 11	11 to 14																	
15 to 13	19 to 16																	
107 to 110	Propagation Delay 3-State Disable, Output High to High Impedance (Shifting Mode High to Low)	t_{PHZ2}	3003	4(q)	V_{IN} (Enable Inputs) = Pulse Generator V_{IN} (All Other Inputs) = 10Vdc V_{CC} = 10Vdc V_{DD} = 5Vdc, V_{SS} = 0Vdc Note 6 <table style="margin-left: 20px;"> <tr> <td style="border-bottom: 1px solid black;">Pins D/F</td> <td style="border-bottom: 1px solid black;">Pins C</td> </tr> <tr> <td>2 to 4</td> <td>2 to 5</td> </tr> <tr> <td>7 to 5</td> <td>9 to 6</td> </tr> <tr> <td>9 to 11</td> <td>11 to 14</td> </tr> <tr> <td>15 to 13</td> <td>19 to 16</td> </tr> </table>	Pins D/F	Pins C	2 to 4	2 to 5	7 to 5	9 to 6	9 to 11	11 to 14	15 to 13	19 to 16	-	240	ns
Pins D/F	Pins C																	
2 to 4	2 to 5																	
7 to 5	9 to 6																	
9 to 11	11 to 14																	
15 to 13	19 to 16																	
111 to 114	Propagation Delay 3-State Disable, High Impedance to Output High (Shifting Mode High to Low)	t_{PZH1}	3003	4(q)	V_{IN} (Enable Inputs) = Pulse Generator V_{IN} (All Other Inputs) = 5Vdc V_{CC} = 5Vdc V_{DD} = 10Vdc, V_{SS} = 0Vdc Note 6 <table style="margin-left: 20px;"> <tr> <td style="border-bottom: 1px solid black;">Pins D/F</td> <td style="border-bottom: 1px solid black;">Pins C</td> </tr> <tr> <td>2 to 4</td> <td>2 to 5</td> </tr> <tr> <td>7 to 5</td> <td>9 to 6</td> </tr> <tr> <td>9 to 11</td> <td>11 to 14</td> </tr> <tr> <td>15 to 13</td> <td>19 to 16</td> </tr> </table>	Pins D/F	Pins C	2 to 4	2 to 5	7 to 5	9 to 6	9 to 11	11 to 14	15 to 13	19 to 16	-	640	ns
Pins D/F	Pins C																	
2 to 4	2 to 5																	
7 to 5	9 to 6																	
9 to 11	11 to 14																	
15 to 13	19 to 16																	

NOTES: See Page 23.



TABLE 2 - ELECTRICAL MEASUREMENTS AT ROOM TEMPERATURE - a.c. PARAMETERS (CONT'D)

NO.	CHARACTERISTICS	SYMBOL	TEST METHOD MIL-STD 883	TEST FIG.	TEST CONDITIONS (PINS UNDER TEST D/F = DIP AND FP C = CCP)	LIMITS		UNIT										
						MIN	MAX											
115 to 118	Propagation Delay 3-State Disable, High Impedance to Output High (Shifting Mode High to Low)	t _{pZH2}	3003	4(q)	V _{IN} (Enable Inputs) = Pulse Generator V _{IN} (All Other Inputs) = 10Vdc V _{CC} = 10Vdc V _{DD} = 5Vdc, V _{SS} = 0Vdc Note 6 <table border="0"> <tr> <td><u>Pins D/F</u></td> <td><u>Pins C</u></td> </tr> <tr> <td>2 to 4</td> <td>2 to 5</td> </tr> <tr> <td>7 to 5</td> <td>9 to 6</td> </tr> <tr> <td>9 to 11</td> <td>11 to 14</td> </tr> <tr> <td>15 to 13</td> <td>19 to 16</td> </tr> </table>	<u>Pins D/F</u>	<u>Pins C</u>	2 to 4	2 to 5	7 to 5	9 to 6	9 to 11	11 to 14	15 to 13	19 to 16	-	1500	ns
<u>Pins D/F</u>	<u>Pins C</u>																	
2 to 4	2 to 5																	
7 to 5	9 to 6																	
9 to 11	11 to 14																	
15 to 13	19 to 16																	
119 to 122	Propagation Delay 3-State Disable, Output Low to High Impedance (Shifting Mode Low to High)	t _{pLZ1}	3003	4(q)	V _{IN} (Enable Inputs) = Pulse Generator V _{IN} (All Other Inputs) = 0Vdc V _{CC} = 5Vdc V _{DD} = 10Vdc, V _{SS} = 0Vdc Note 6 <table border="0"> <tr> <td><u>Pins D/F</u></td> <td><u>Pins C</u></td> </tr> <tr> <td>2 to 4</td> <td>2 to 5</td> </tr> <tr> <td>7 to 5</td> <td>9 to 6</td> </tr> <tr> <td>9 to 11</td> <td>11 to 14</td> </tr> <tr> <td>15 to 13</td> <td>19 to 16</td> </tr> </table>	<u>Pins D/F</u>	<u>Pins C</u>	2 to 4	2 to 5	7 to 5	9 to 6	9 to 11	11 to 14	15 to 13	19 to 16	-	740	ns
<u>Pins D/F</u>	<u>Pins C</u>																	
2 to 4	2 to 5																	
7 to 5	9 to 6																	
9 to 11	11 to 14																	
15 to 13	19 to 16																	
123 to 126	Propagation Delay 3-State Disable, Output Low to High Impedance (Shifting Mode High to Low)	t _{pLZ2}	3003	4(q)	V _{IN} (Enable Inputs) = Pulse Generator V _{IN} (All Other Inputs) = 0Vdc V _{CC} = 10Vdc V _{DD} = 5Vdc, V _{SS} = 0Vdc Note 6 <table border="0"> <tr> <td><u>Pins D/F</u></td> <td><u>Pins C</u></td> </tr> <tr> <td>2 to 4</td> <td>2 to 5</td> </tr> <tr> <td>7 to 5</td> <td>9 to 6</td> </tr> <tr> <td>9 to 11</td> <td>11 to 14</td> </tr> <tr> <td>15 to 13</td> <td>19 to 16</td> </tr> </table>	<u>Pins D/F</u>	<u>Pins C</u>	2 to 4	2 to 5	7 to 5	9 to 6	9 to 11	11 to 14	15 to 13	19 to 16	-	1600	ns
<u>Pins D/F</u>	<u>Pins C</u>																	
2 to 4	2 to 5																	
7 to 5	9 to 6																	
9 to 11	11 to 14																	
15 to 13	19 to 16																	
127 to 130	Propagation Delay 3-State Disable, High Impedance to Output Low (Shifting Mode Low to High)	t _{pZL1}	3003	4(q)	V _{IN} (Enable Inputs) = Pulse Generator V _{IN} (All Other Inputs) = 0Vdc V _{CC} = 5Vdc V _{DD} = 10Vdc, V _{SS} = 0Vdc Note 6 <table border="0"> <tr> <td><u>Pins D/F</u></td> <td><u>Pins C</u></td> </tr> <tr> <td>2 to 4</td> <td>2 to 5</td> </tr> <tr> <td>7 to 5</td> <td>9 to 6</td> </tr> <tr> <td>9 to 11</td> <td>11 to 14</td> </tr> <tr> <td>15 to 13</td> <td>19 to 16</td> </tr> </table>	<u>Pins D/F</u>	<u>Pins C</u>	2 to 4	2 to 5	7 to 5	9 to 6	9 to 11	11 to 14	15 to 13	19 to 16	-	200	ns
<u>Pins D/F</u>	<u>Pins C</u>																	
2 to 4	2 to 5																	
7 to 5	9 to 6																	
9 to 11	11 to 14																	
15 to 13	19 to 16																	

NOTES: See Page 23.



TABLE 2 - ELECTRICAL MEASUREMENTS AT ROOM TEMPERATURE - a.c. PARAMETERS (CONT'D)

NO.	CHARACTERISTICS	SYMBOL	TEST METHOD MIL-STD 883	TEST FIG.	TEST CONDITIONS (PINS UNDER TEST D/F = DIP AND FP C = CCP)	LIMITS		UNIT										
						MIN	MAX											
131 to 134	Propagation Delay 3-State Disable, High Impedance to Output Low (Shifting Mode High to Low)	t _{PZL2}	3003	4(q)	V _{IN} (Enable Inputs) = Pulse Generator V _{IN} (All Other Inputs) = 0Vdc V _{CC} = 10Vdc V _{DD} = 5Vdc, V _{SS} = 0Vdc Note 6 <table border="1" style="margin-left: 20px;"> <tr> <th>Pins D/F</th> <th>Pins C</th> </tr> <tr> <td>2 to 4</td> <td>2 to 5</td> </tr> <tr> <td>7 to 5</td> <td>9 to 6</td> </tr> <tr> <td>9 to 11</td> <td>11 to 14</td> </tr> <tr> <td>15 to 13</td> <td>19 to 16</td> </tr> </table>	Pins D/F	Pins C	2 to 4	2 to 5	7 to 5	9 to 6	9 to 11	11 to 14	15 to 13	19 to 16	-	240	ns
Pins D/F	Pins C																	
2 to 4	2 to 5																	
7 to 5	9 to 6																	
9 to 11	11 to 14																	
15 to 13	19 to 16																	
135 to 138	Transition Time Low to High (Shifting Mode Low to High)	t _{TLH1}	3004	4(p)	V _{IN} (Under Test) = Pulse Generator V _{IN} (All Other Inputs) = 5Vdc V _{CC} = 5Vdc V _{DD} = 10Vdc, V _{SS} = 0Vdc Note 6 (Pin D/F 4-5-11-13) (Pins C 5-6-14-16)	-	100	ns										
139 to 142	Transition Time Low to High (Shifting Mode High to Low)	t _{TLH2}	3004	4(p)	V _{IN} (Under Test) = Pulse Generator V _{IN} (All Other Inputs) = 10Vdc V _{CC} = 10Vdc V _{DD} = 5Vdc, V _{SS} = 0Vdc Note 6 (Pin D/F 4-5-11-13) (Pins C 5-6-14-16)	-	200	ns										
143 to 146	Transition Time High to Low (Shifting Mode Low to High)	t _{THL1}	3004	4(p)	V _{IN} (Under Test) = Pulse Generator V _{IN} (All Other Inputs) = 5Vdc V _{CC} = 5Vdc V _{DD} = 10Vdc, V _{SS} = 0Vdc Note 6 (Pin D/F 4-5-11-13) (Pins C 5-6-14-16)	-	100	ns										
147 to 150	Transition Time High to Low (Shifting Mode High to Low)	t _{THL2}	3004	4(p)	V _{IN} (Under Test) = Pulse Generator V _{IN} (All Other Inputs) = 10Vdc V _{CC} = 10Vdc V _{DD} = 5Vdc, V _{SS} = 0Vdc Note 6 (Pin D/F 4-5-11-13) (Pins C 5-6-14-16)	-	200	ns										

NOTES: See Page 23.



TABLE 3(a) - ELECTRICAL MEASUREMENTS AT HIGH TEMPERATURE, +125(+0-5) °C

NO.	CHARACTERISTICS	SYMBOL	TEST METHOD MIL-STD 883	TEST FIG.	TEST CONDITIONS (PINS UNDER TEST D/F = DIP AND FP C = CCP)	LIMITS		UNIT
						MIN	MAX	
1	Functional Test	-	-	4(a)	Verify Truth Table without Load. $V_{DD} = 3V_{dc}$, $V_{SS} = 0V_{dc}$ $V_{CC} = 3V_{dc}$ Notes 1 and 2	-	-	-
2	Functional Test	-	-	4(a)	Verify Truth Table without Load. $V_{DD} = 15V_{dc}$, $V_{SS} = 0V_{dc}$ $V_{CC} = 15V_{dc}$ Notes 1 and 2	-	-	-
3 to 4	Quiescent Current	I_{DD}	3005	4(b)	$V_{IL} = 0V_{dc}$, $V_{IH} = 15V_{dc}$ $V_{DD} = 15V_{dc}$, $V_{SS} = 0V_{dc}$ $V_{CC} = 15V_{dc}$ Note 3 (Pin D/F 16) (Pin C 20)	-	15	μA
5 to 12	Input Current Low Level	I_{IL}	3009	4(c)	V_{IN} (Under Test) = $0V_{dc}$ V_{IN} (Remaining Inputs) = $15V_{dc}$ $V_{DD} = 15V_{dc}$, $V_{SS} = 0V_{dc}$ $V_{CC} = 15V_{dc}$ (Pins D/F 2-3-6-7-9-10-14-15) (Pins C 2-4-7-9-11-12-17-19)	-	-100	nA
13 to 20	Input Current High Level	I_{IH}	3010	4(d)	V_{IN} (Under Test) = $15V_{dc}$ V_{IN} (Remaining Inputs) = $0V_{dc}$ $V_{DD} = 15V_{dc}$, $V_{SS} = 0V_{dc}$ $V_{CC} = 15V_{dc}$ (Pins D/F 2-3-6-7-9-10-14-15) (Pins C 2-4-7-9-11-12-17-19)	-	100	nA
21 to 24	Output Voltage Low Level	V_{OL}	3007	4(e)	Gate Under Test: V_{IN} (Enable) = $15V_{dc}$ V_{IN} (Other Input) = $0V_{dc}$ $V_{OUT} = \text{Open}$ All Other Gates: V_{IN} (Enable) = $15V_{dc}$ V_{IN} (Other Input) = $0V_{dc}$ $V_{DD} = 15V_{dc}$, $V_{SS} = 0V_{dc}$ $V_{CC} = 5V_{dc}$ (Pins D/F 4-5-11-13) (Pins C 5-6-14-16)	-	0.05	V

NOTES: See Page 23.

**TABLE 3(a) - ELECTRICAL MEASUREMENTS AT HIGH TEMPERATURE, +125(+0-5) °C (CONT'D)**

NO.	CHARACTERISTICS	SYMBOL	TEST METHOD MIL-STD 883	TEST FIG.	TEST CONDITIONS (PINS UNDER TEST D/F = DIP AND FP C = CCP)	LIMITS		UNIT
						MIN	MAX	
25 to 28	Output Voltage High Level	V_{OH}	3006	4(f)	Gate Under Test: V_{IN} (Enable) = 15Vdc V_{IN} (Other Input) = 15Vdc V_{OUT} = Open All Other Gates: V_{IN} = 15Vdc V_{DD} = 15Vdc, V_{SS} = 0Vdc V_{CC} = 5Vdc (Pins D/F 4-5-11-13) (Pins C 5-6-14-16)	14.95	-	V
29 to 32	Output Drive Current N-Channel	I_{OL1}	-	4(g)	Gate Under Test: V_{IN} (Enable) = 5Vdc V_{IN} (Other Input) = 0Vdc V_{OUT} = 0.4Vdc All Other Gates: V_{IN} (Enable) = 5Vdc V_{IN} (Other Input) = 0Vdc V_{DD} = 5Vdc, V_{SS} = 0Vdc V_{CC} = 5Vdc Note 4 (Pins D/F 4-5-11-13) (Pins C 5-6-14-16)	0.36	-	mA
33 to 36	Output Drive Current N-Channel	I_{OL2}	-	4(g)	Gate Under Test: V_{IN} (Enable) = 15Vdc V_{IN} (Other Input) = 0Vdc V_{OUT} = 1.5Vdc All Other Gates: V_{IN} (Enable) = 15Vdc V_{IN} (Other Input) = 0Vdc V_{DD} = 15Vdc, V_{SS} = 0Vdc V_{CC} = 5Vdc Note 4 (Pins D/F 4-5-11-13) (Pins C 5-6-14-16)	2.4	-	mA
37 to 40	Output Drive Current P-Channel	I_{OH1}	-	4(h)	Gate Under Test: V_{IN} (Enable) = 5Vdc V_{IN} (Other Input) = 5Vdc V_{OUT} = 4.6Vdc All Other Gates: V_{IN} = 5Vdc V_{DD} = 5Vdc, V_{SS} = 0Vdc V_{CC} = 5Vdc Note 4 (Pins D/F 4-5-11-13) (Pins C 5-6-14-16)	-0.36	-	mA

NOTES: See Page 23.

**TABLE 3(a) - ELECTRICAL MEASUREMENTS AT HIGH TEMPERATURE, +125(+0-5) °C (CONT'D)**

NO.	CHARACTERISTICS	SYMBOL	TEST METHOD MIL-STD 883	TEST FIG.	TEST CONDITIONS (PINS UNDER TEST D/F = DIP AND FP C = CCP)	LIMITS		UNIT
						MIN	MAX	
41 to 44	Output Drive Current P-Channel	I_{OH2}	-	4(h)	Gate Under Test: V_{IN} (Enable) = 15Vdc V_{IN} (Other Input) = 15Vdc V_{OUT} = 13.5Vdc All Other Gates: V_{IN} = 15Vdc V_{DD} = 15Vdc, V_{SS} = 0Vdc V_{CC} = 5Vdc Note 4 (Pins D/F 4-5-11-13) (Pins C 5-6-14-16)	-2.4	-	mA
45 to 48	Output Leakage Current Third State (1)	I_{OZ1}	-	4(i)	Gate Under Test: V_{IN} (Enable) = 0Vdc V_{IN} (Other Input) = 0Vdc V_{OUT} = 15Vdc All Other Gates: V_{IN} = 0Vdc V_{DD} = 18Vdc, V_{SS} = 0Vdc V_{CC} = 5Vdc (Pins D/F 4-5-11-13) (Pins C 5-6-14-16)	-	12	μ A
49 to 52	Output Leakage Current Third State (2)	I_{OZ2}	-	4(i)	Gate Under Test: V_{IN} (Enable) = 0Vdc V_{IN} (Other Input) = 0Vdc V_{OUT} = 0Vdc All Other Gates: V_{IN} = 0Vdc V_{DD} = 18Vdc, V_{SS} = 0Vdc V_{CC} = 5Vdc (Pins D/F 4-5-11-13) (Pins C 5-6-14-16)	-	-12	μ A
53 to 56	Input Voltage Low Level (Noise Immunity)	V_{IL1}	-	4(j)	Gate Under Test: V_{IN} (Enable) = 3.5Vdc V_{IN} (Other Input) = 1.5Vdc All Other Gates: V_{IN} = 0Vdc V_{DD} = 5Vdc, V_{SS} = 0Vdc V_{CC} = 5Vdc (Pins D/F 4-5-11-13) (Pins C 5-6-14-16)	-	0.5	V

NOTES: See Page 23.

**TABLE 3(a) - ELECTRICAL MEASUREMENTS AT HIGH TEMPERATURE, +125(+0-5) °C (CONT'D)**

NO.	CHARACTERISTICS	SYMBOL	TEST METHOD MIL-STD 883	TEST FIG.	TEST CONDITIONS (PINS UNDER TEST D/F = DIP AND FP C = CCP)	LIMITS		UNIT
						MIN	MAX	
57 to 60	Input Voltage Low Level (Noise Immunity)	V_{IL2}	-	4(j)	Gate Under Test: V_{IN} (Enable) = 11Vdc V_{IN} (Other Input) = 4Vdc All Other Gates: V_{IN} = 0Vdc V_{DD} = 15Vdc, V_{SS} = 0Vdc V_{CC} = 15Vdc (Pins D/F 4-5-11-13) (Pins C 5-6-14-16)	-	1.5	V
61 to 64	Input Voltage High Level (Noise Immunity)	V_{IH1}	-	4(k)	Gate Under Test: V_{IN} (Enable) = 3.5Vdc V_{IN} (Other Input) = 3.5Vdc All Other Gates: V_{IN} = 0Vdc V_{DD} = 5Vdc, V_{SS} = 0Vdc V_{CC} = 5Vdc (Pins D/F 4-5-11-13) (Pins C 5-6-14-16)	4.5	-	V
65 to 68	Input Voltage High Level (Noise Immunity)	V_{IH2}	-	4(k)	Gate Under Test: V_{IN} (Enable) = 11Vdc V_{IN} (Other Input) = 11Vdc All Other Gates: V_{IN} = 0Vdc V_{DD} = 15Vdc, V_{SS} = 0Vdc V_{CC} = 15Vdc (Pins D/F 4-5-11-13) (Pins C 5-6-14-16)	13.5	-	V
69	Threshold Voltage N-Channel	V_{THN}	-	4(l)	A Input at Ground All Other Inputs: V_{IN} = 5Vdc V_{DD} = 12Vdc, I_{SS} = -10 μ A V_{CC} = 5Vdc (Pin D/F 8) (Pin C 10)	-0.3	-3.5	V
70	Threshold Voltage P-Channel	V_{THP}	-	4(m)	A Input at Ground All Other Inputs: V_{IN} = -5Vdc V_{DD} = 7Vdc V_{SS} = -5Vdc, I_{CC} = 10 μ A (Pin D/F 1) (Pin C 1)	0.3	3.5	V

NOTES: See Page 23.



TABLE 3(b) - ELECTRICAL MEASUREMENTS AT LOW TEMPERATURE, -55(+5-0) °C

NO.	CHARACTERISTICS	SYMBOL	TEST METHOD MIL-STD 883	TEST FIG.	TEST CONDITIONS (PINS UNDER TEST D/F = DIP AND FP C = CCP)	LIMITS		UNIT
						MIN	MAX	
1	Functional Test	-	-	4(a)	Verify Truth Table without Load. $V_{DD} = 3V_{dc}$, $V_{SS} = 0V_{dc}$ $V_{CC} = 3V_{dc}$ Notes 1 and 2	-	-	-
2	Functional Test	-	-	4(a)	Verify Truth Table without Load. $V_{DD} = 15V_{dc}$, $V_{SS} = 0V_{dc}$ $V_{CC} = 15V_{dc}$ Notes 1 and 2	-	-	-
3 to 4	Quiescent Current	I_{DD}	3005	4(b)	$V_{IL} = 0V_{dc}$, $V_{IH} = 15V_{dc}$ $V_{DD} = 15V_{dc}$, $V_{SS} = 0V_{dc}$ $V_{CC} = 15V_{dc}$ Note 3 (Pin D/F 16) (Pin C 20)	-	500	nA
5 to 12	Input Current Low Level	I_{IL}	3009	4(c)	V_{IN} (Under Test) = $0V_{dc}$ V_{IN} (Remaining Inputs) = $15V_{dc}$ $V_{DD} = 15V_{dc}$, $V_{SS} = 0V_{dc}$ $V_{CC} = 15V_{dc}$ (Pins D/F 2-3-6-7-9-10-14-15) (Pins C 2-4-7-9-11-12-17-19)	-	-50	nA
13 to 20	Input Current High Level	I_{IH}	3010	4(d)	V_{IN} (Under Test) = $15V_{dc}$ V_{IN} (Remaining Inputs) = $0V_{dc}$ $V_{DD} = 15V_{dc}$, $V_{SS} = 0V_{dc}$ $V_{CC} = 15V_{dc}$ (Pins D/F 2-3-6-7-9-10-14-15) (Pins C 2-4-7-9-11-12-17-19)	-	50	nA
21 to 24	Output Voltage Low Level	V_{OL}	3007	4(e)	Gate Under Test: V_{IN} (Enable) = $15V_{dc}$ V_{IN} (Other Input) = $0V_{dc}$ $V_{OUT} = \text{Open}$ All Other Gates: V_{IN} (Enable) = $15V_{dc}$ V_{IN} (Other Input) = $0V_{dc}$ $V_{DD} = 15V_{dc}$, $V_{SS} = 0V_{dc}$ $V_{CC} = 5V_{dc}$ (Pins D/F 4-5-11-13) (Pins C 5-6-14-16)	-	0.05	V

NOTES: See Page 23.

**TABLE 3(b) - ELECTRICAL MEASUREMENTS AT LOW TEMPERATURE, -55(+5-0) °C (CONT'D)**

NO.	CHARACTERISTICS	SYMBOL	TEST METHOD MIL-STD 883	TEST FIG.	TEST CONDITIONS (PINS UNDER TEST D/F = DIP AND FP C = CCP)	LIMITS		UNIT
						MIN	MAX	
25 to 28	Output Voltage High Level	V _{OH}	3006	4(f)	Gate Under Test: V _{IN} (Enable) = 15Vdc V _{IN} (Other Input) = 15Vdc V _{OUT} = Open All Other Gates: V _{IN} = 15Vdc V _{DD} = 15Vdc, V _{SS} = 0Vdc V _{CC} = 5Vdc (Pins D/F 4-5-11-13) (Pins C 5-6-14-16)	14.95	-	V
29 to 32	Output Drive Current N-Channel	I _{OL1}	-	4(g)	Gate Under Test: V _{IN} (Enable) = 5Vdc V _{IN} (Other Input) = 0Vdc V _{OUT} = 0.4Vdc All Other Gates: V _{IN} (Enable) = 5Vdc V _{IN} (Other Input) = 0Vdc V _{DD} = 5Vdc, V _{SS} = 0Vdc V _{CC} = 5Vdc Note 4 (Pins D/F 4-5-11-13) (Pins C 5-6-14-16)	0.64	-	mA
33 to 36	Output Drive Current N-Channel	I _{OL2}	-	4(g)	Gate Under Test: V _{IN} (Enable) = 15Vdc V _{IN} (Other Input) = 0Vdc V _{OUT} = 1.5Vdc All Other Gates: V _{IN} (Enable) = 15Vdc V _{IN} (Other Input) = 0Vdc V _{DD} = 15Vdc, V _{SS} = 0Vdc V _{CC} = 5Vdc Note 4 (Pins D/F 4-5-11-13) (Pins C 5-6-14-16)	4.2	-	mA
37 to 40	Output Drive Current P-Channel	I _{OH1}	-	4(h)	Gate Under Test: V _{IN} (Enable) = 5Vdc V _{IN} (Other Input) = 5Vdc V _{OUT} = 4.6Vdc All Other Gates: V _{IN} = 5Vdc V _{DD} = 5Vdc, V _{SS} = 0Vdc V _{CC} = 5Vdc Note 4 (Pins D/F 4-5-11-13) (Pins C 5-6-14-16)	-0.64	-	mA

NOTES: See Page 23.

**TABLE 3(b) - ELECTRICAL MEASUREMENTS AT LOW TEMPERATURE, -55(+5-0) °C (CONT'D)**

NO.	CHARACTERISTICS	SYMBOL	TEST METHOD MIL-STD 883	TEST FIG.	TEST CONDITIONS (PINS UNDER TEST D/F = DIP AND FP C = CCP)	LIMITS		UNIT
						MIN	MAX	
41 to 44	Output Drive Current P-Channel	I_{OH2}	-	4(h)	Gate Under Test: V_{IN} (Enable) = 15Vdc V_{IN} (Other Input) = 15Vdc V_{OUT} = 13.5Vdc All Other Gates: V_{IN} = 15Vdc V_{DD} = 15Vdc, V_{SS} = 0Vdc V_{CC} = 5Vdc Note 4 (Pins D/F 4-5-11-13) (Pins C 5-6-14-16)	-4.2	-	mA
45 to 48	Output Leakage Current Third State (1)	I_{OZ1}	-	4(i)	Gate Under Test: V_{IN} (Enable) = 0Vdc V_{IN} (Other Input) = 0Vdc V_{OUT} = 15Vdc All Other Gates: V_{IN} = 0Vdc V_{DD} = 18Vdc, V_{SS} = 0Vdc V_{CC} = 5Vdc (Pins D/F 4-5-11-13) (Pins C 5-6-14-16)	-	400	nA
49 to 52	Output Leakage Current Third State (2)	I_{OZ2}	-	4(i)	Gate Under Test: V_{IN} (Enable) = 0Vdc V_{IN} (Other Input) = 0Vdc V_{OUT} = 0Vdc All Other Gates: V_{IN} = 0Vdc V_{DD} = 18Vdc, V_{SS} = 0Vdc V_{CC} = 5Vdc (Pins D/F 4-5-11-13) (Pins C 5-6-14-16)	-	-400	nA
53 to 56	Input Voltage Low Level (Noise Immunity)	V_{IL1}	-	4(j)	Gate Under Test: V_{IN} (Enable) = 3.5Vdc V_{IN} (Other Input) = 1.5Vdc All Other Gates: V_{IN} = 0Vdc V_{DD} = 5Vdc, V_{SS} = 0Vdc V_{CC} = 5Vdc (Pins D/F 4-5-11-13) (Pins C 5-6-14-16)	-	0.5	V

NOTES: See Page 23.

**TABLE 3(b) - ELECTRICAL MEASUREMENTS AT LOW TEMPERATURE, -55(+5-0) °C (CONT'D)**

NO.	CHARACTERISTICS	SYMBOL	TEST METHOD MIL-STD 883	TEST FIG.	TEST CONDITIONS (PINS UNDER TEST D/F = DIP AND FP C = CCP)	LIMITS		UNIT
						MIN	MAX	
57 to 60	Input Voltage Low Level (Noise Immunity)	V_{IL2}	-	4(j)	Gate Under Test: V_{IN} (Enable) = 11Vdc V_{IN} (Other Input) = 4Vdc All Other Gates: $V_{IN} = 0Vdc$ $V_{DD} = 15Vdc$, $V_{SS} = 0Vdc$ $V_{CC} = 15Vdc$ (Pins D/F 4-5-11-13) (Pins C 5-6-14-16)	-	1.5	V
61 to 64	Input Voltage High Level (Noise Immunity)	V_{IH1}	-	4(k)	Gate Under Test: V_{IN} (Enable) = 3.5Vdc V_{IN} (Other Input) = 3.5Vdc All Other Gates: $V_{IN} = 0Vdc$ $V_{DD} = 5Vdc$, $V_{SS} = 0Vdc$ $V_{CC} = 5Vdc$ (Pins D/F 4-5-11-13) (Pins C 5-6-14-16)	4.5	-	V
65 to 68	Input Voltage High Level (Noise Immunity)	V_{IH2}	-	4(k)	Gate Under Test: V_{IN} (Enable) = 11Vdc V_{IN} (Other Input) = 11Vdc All Other Gates: $V_{IN} = 0Vdc$ $V_{DD} = 15Vdc$, $V_{SS} = 0Vdc$ $V_{CC} = 15Vdc$ (Pins D/F 4-5-11-13) (Pins C 5-6-14-16)	13.5	-	V
69	Threshold Voltage N-Channel	V_{THN}	-	4(l)	A Input at Ground All Other Inputs: $V_{IN} = 5Vdc$ $V_{DD} = 12Vdc$, $I_{SS} = -10\mu A$ $V_{CC} = 5Vdc$ (Pin D/F 8) (Pin C 10)	-0.7	-3.5	V
70	Threshold Voltage P-Channel	V_{THP}	-	4(m)	A Input at Ground All Other Inputs: $V_{IN} = -5Vdc$ $V_{DD} = 7Vdc$ $V_{SS} = -5Vdc$, $I_{CC} = 10\mu A$ (Pin D/F 1) (Pin C 1)	0.7	3.5	V

NOTES: See Page 23.



FIGURE 4 - CIRCUITS FOR ELECTRICAL MEASUREMENTS

FIGURE 4(a) - FUNCTIONAL TEST TABLE

PATTERN NO.	PIN NUMBERS								D.C. SUPPLY						
	INPUTS				OUTPUTS				8	16	1				
	2	3	6	7	9	10	14	15	4	5	11	13	V _{SS}	V _{DD}	V _{CC}
1	1	1	0	1	1	0	0	1	1	0	0	0	↓	↓	↓
2	1	0	1	1	1	0	0	1	0	1	0	0			
3	1	0	0	1	1	1	0	1	0	0	1	0			
4	1	0	0	1	1	0	1	1	0	0	0	1			
5	1	1	1	1	1	1	1	1	1	1	1	1			
6	1	0	0	1	1	0	0	1	0	0	0	0			

NOTES

- Figure 4(a) illustrates one series of test patterns. Any other pattern series must be agreed with the Qualifying Space Agency and shall be included as an Appendix.
- Logic Level Definitions: 1 = V_{IH} = V_{DD}, 0 = V_{IL} = V_{SS}.

FIGURE 4(b) - QUIESCENT CURRENT TEST CIRCUIT

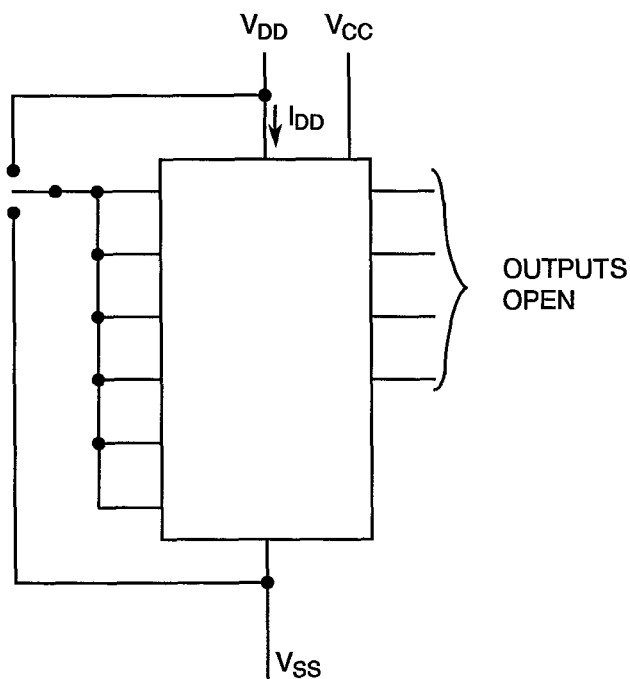
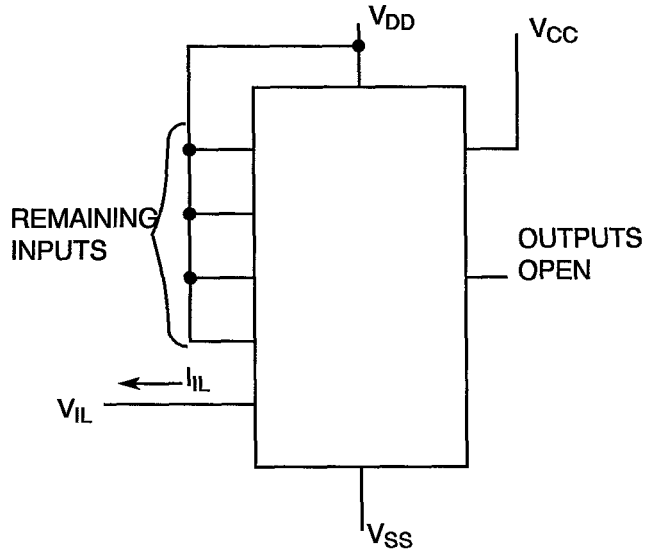




FIGURE 4 - CIRCUITS FOR ELECTRICAL MEASUREMENTS (CONTINUED)

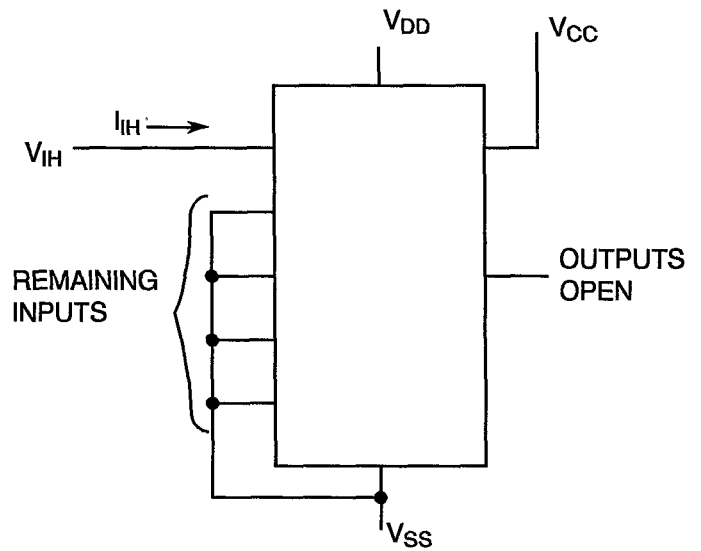
FIGURE 4(c) - LOW LEVEL INPUT CURRENT



NOTES

- 1. Each input to be tested separately.

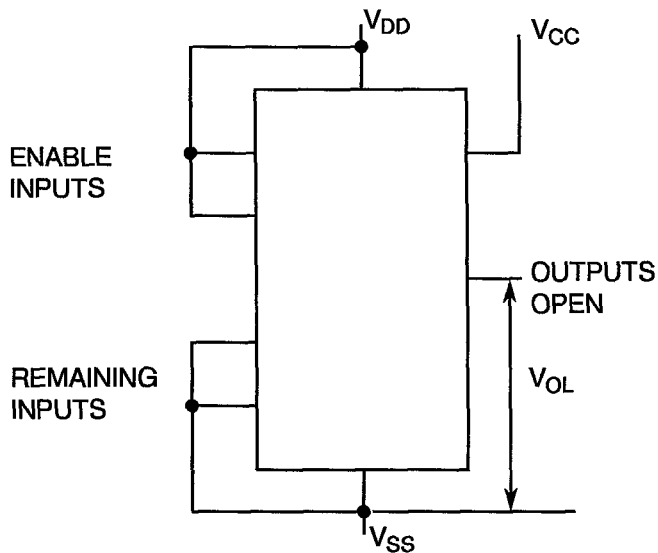
FIGURE 4(d) - HIGH LEVEL INPUT CURRENT



NOTES

- 1. Each input to be tested separately.

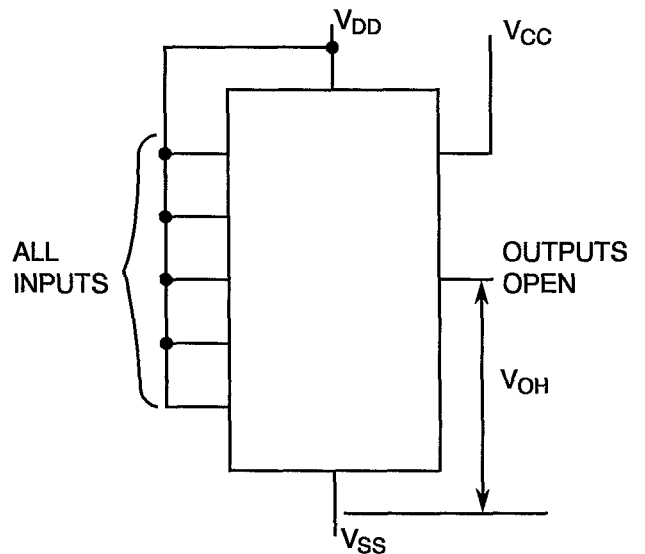
FIGURE 4(e) - LOW LEVEL OUTPUT VOLTAGE



NOTES

- 1. Each output to be tested separately.

FIGURE 4(f) - HIGH LEVEL OUTPUT VOLTAGE



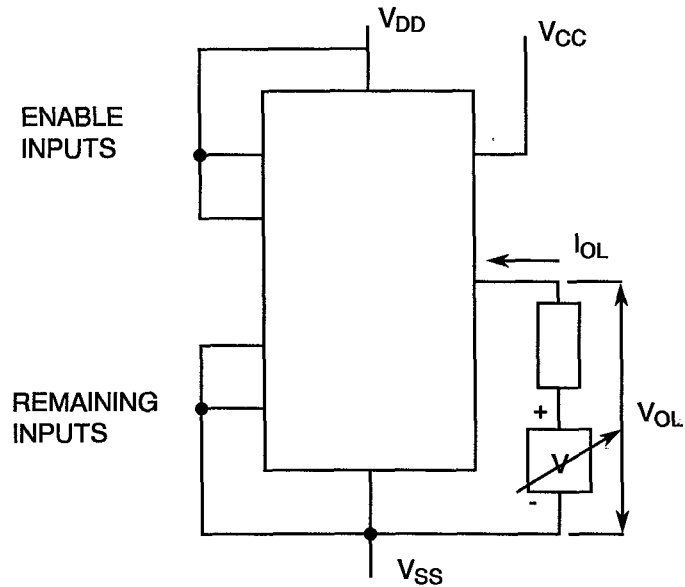
NOTES

- 1. Each output to be tested separately.



FIGURE 4 - CIRCUITS FOR ELECTRICAL MEASUREMENTS (CONTINUED)

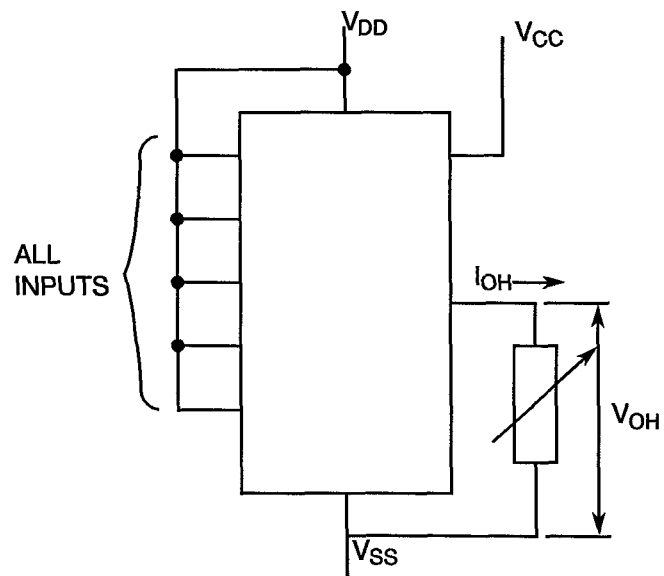
FIGURE 4(g) - LOW LEVEL OUTPUT CURRENT



NOTES

1. Each output to be tested separately.

FIGURE 4(h) - HIGH LEVEL OUTPUT CURRENT



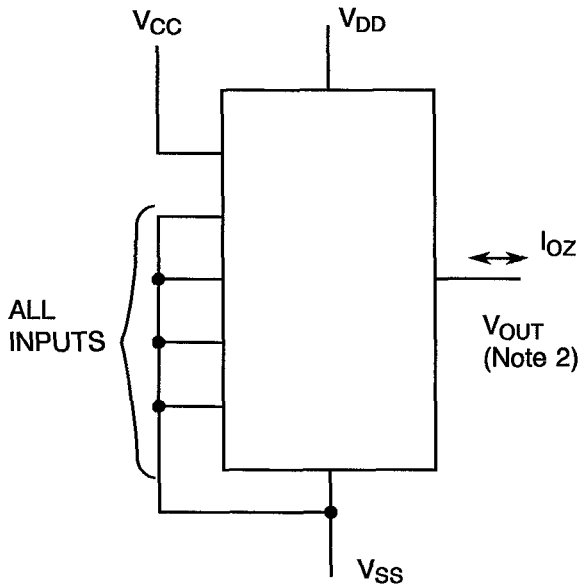
NOTES

1. Each output to be tested separately.



FIGURE 4 - CIRCUITS FOR ELECTRICAL MEASUREMENTS (CONTINUED)

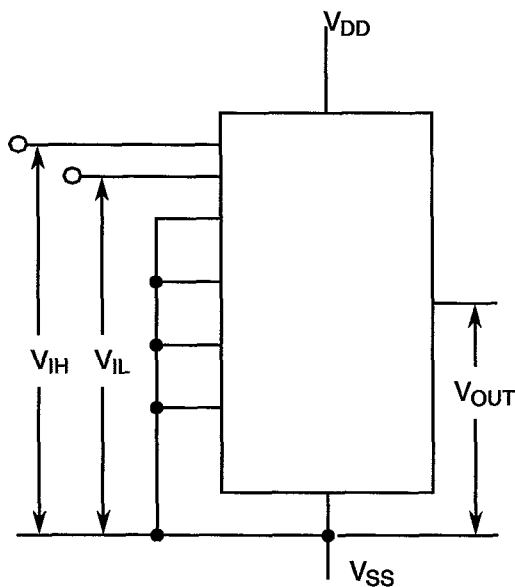
FIGURE 4(i) - OUTPUT LEAKAGE CURRENT THIRD STATE



NOTES

1. Each output to be tested separately.
2. I_{OZ} is measured with the following output conditions for each test.
 - (i) Output under test connected to V_{DD} . Remaining outputs open.
 - (ii) Output under test connected to V_{SS} . Remaining outputs open.

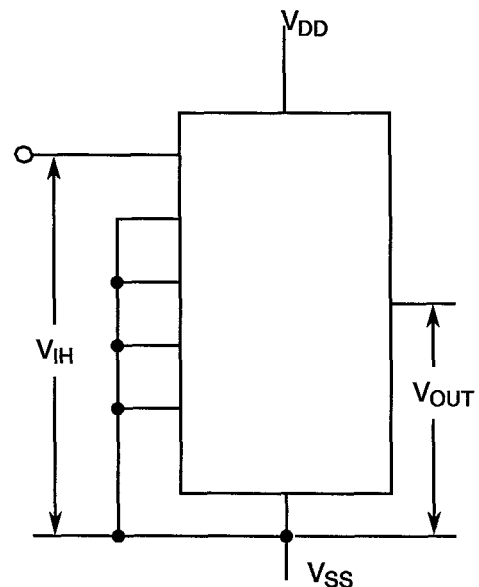
FIGURE 4(j) - LOW LEVEL INPUT VOLTAGE



NOTES

1. Each gate to be tested separately.

FIGURE 4(k) - HIGH LEVEL INPUT VOLTAGE



NOTES

1. Each gate to be tested separately.



FIGURE 4 - CIRCUITS FOR ELECTRICAL MEASUREMENTS (CONTINUED)

FIGURE 4(l) - THRESHOLD VOLTAGE N-CHANNEL

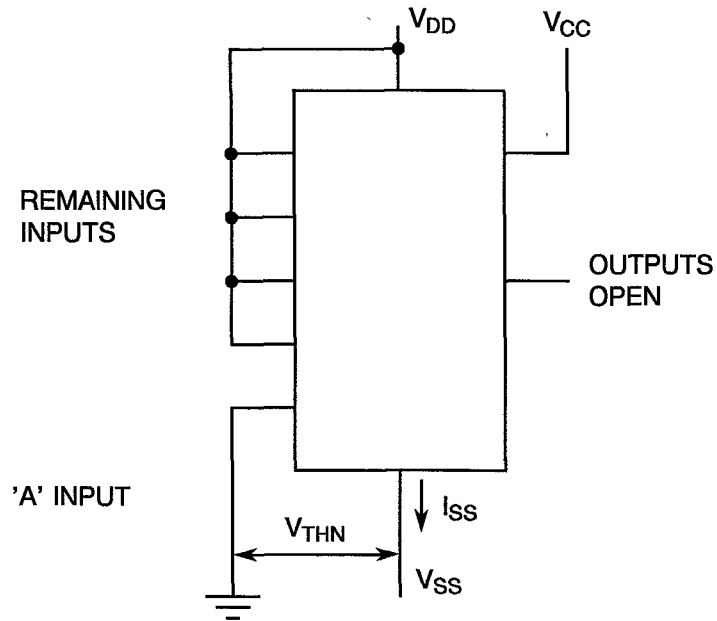


FIGURE 4(m) - THRESHOLD VOLTAGE P-CHANNEL

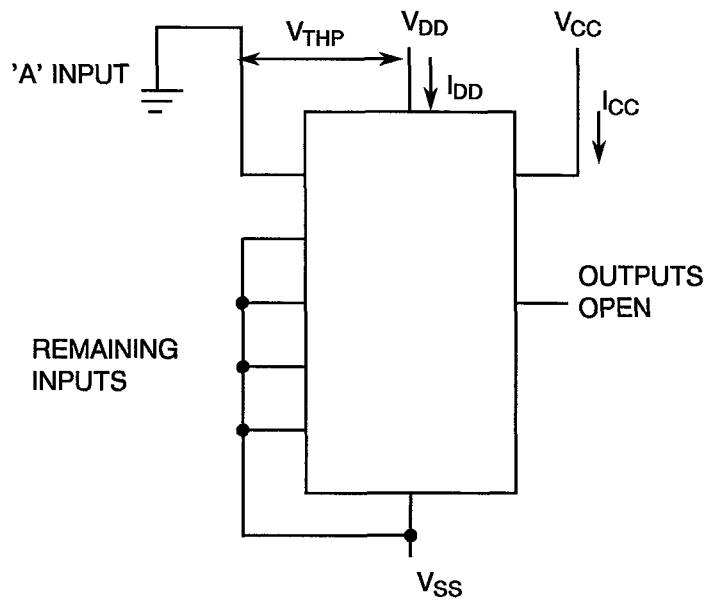
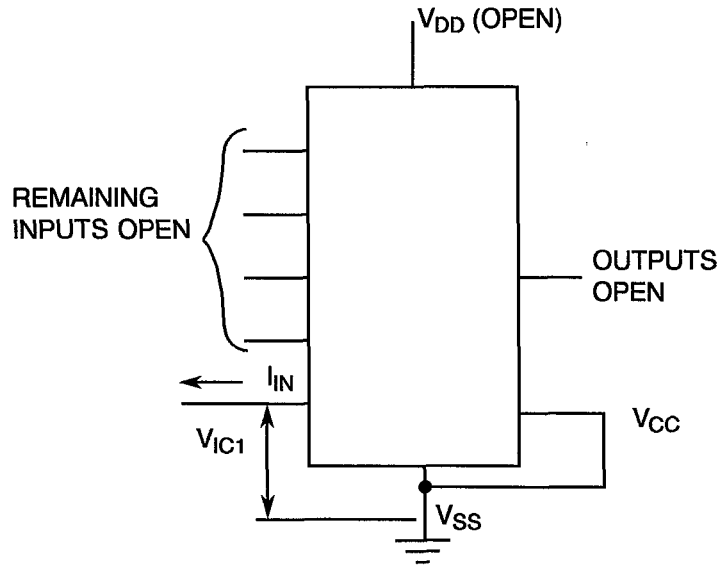




FIGURE 4 - CIRCUITS FOR ELECTRICAL MEASUREMENTS (CONTINUED)

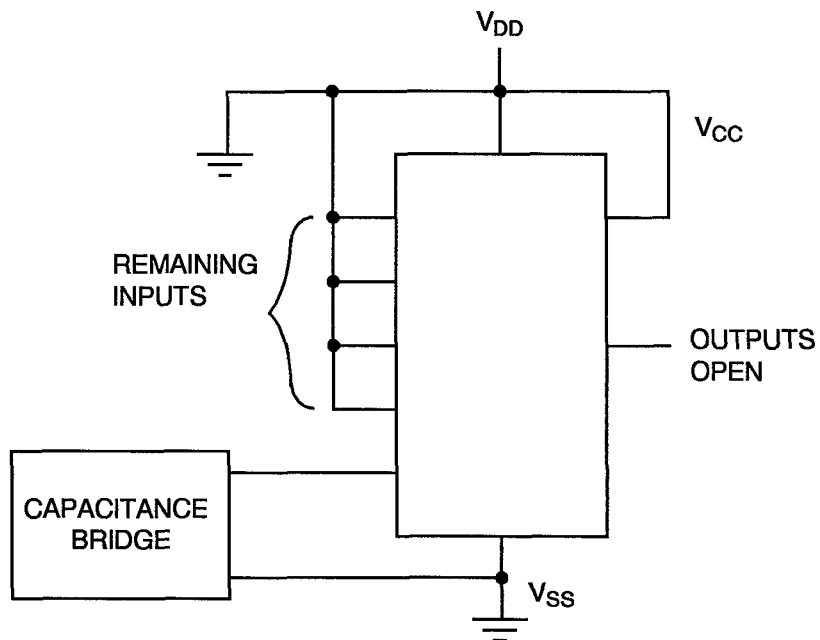
FIGURE 4(n) - INPUT CLAMP VOLTAGE (V_{SS})



NOTES

- 1. Each input to be tested separately.

FIGURE 4(o) - INPUT CAPACITANCE

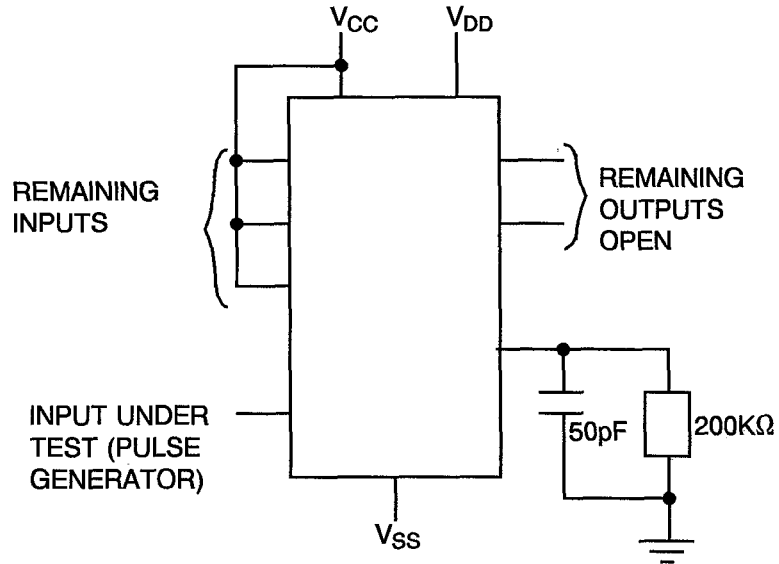


NOTES

- 1. Each input to be tested separately.
- 2. $f = 100\text{kHz}$ to 1MHz

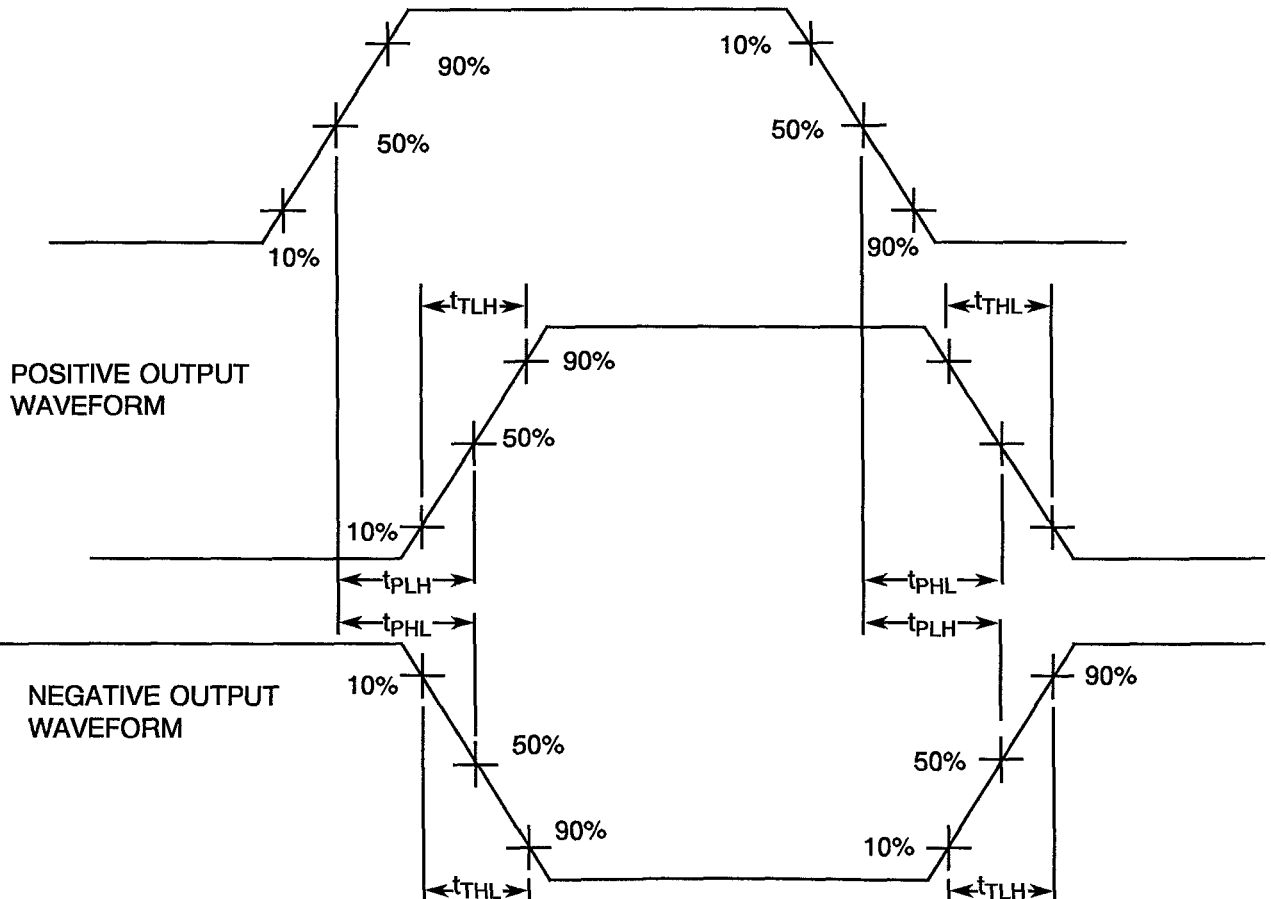
FIGURE 4 - CIRCUITS FOR ELECTRICAL MEASUREMENTS (CONTINUED)

FIGURE 4(p) - PROPAGATION DELAY AND TRANSITION TIME



VOLTAGE WAVEFORMS

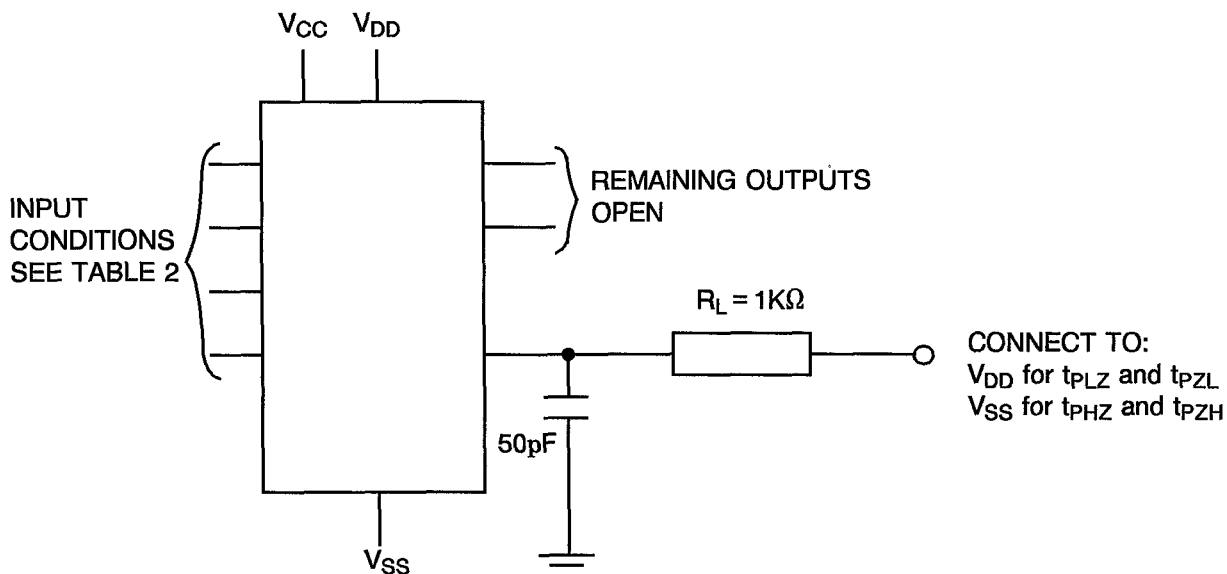
INPUT WAVEFORM



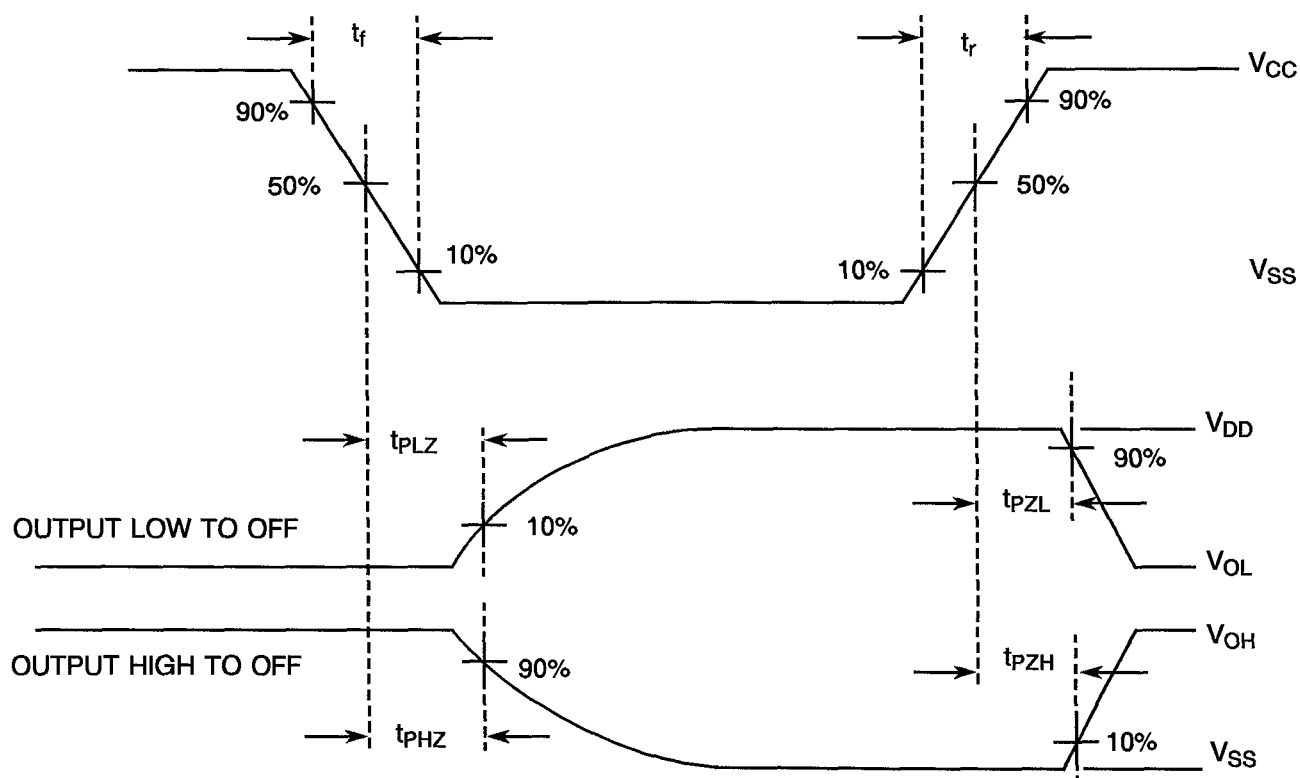
NOTES 1. Pulse Generator - 0 to V_{CC} , t_r and $t_f \leq 15ns$, $f = 500KHz$.

FIGURE 4 - CIRCUITS FOR ELECTRICAL MEASUREMENTS (CONTINUED)

FIGURE 4(g) - PROPAGATION DELAY OUTPUT DISABLE TO OUTPUT



VOLTAGE WAVEFORMS



NOTES 1. Pulse Generator - 0 to V_{CC}, t_r and $t_f \leq 15ns$, $f = 500KHz$.

**TABLE 4 - PARAMETER DRIFT VALUES**

NO.	CHARACTERISTICS	SYMBOL	SPEC. AND/OR TEST METHOD	TEST CONDITIONS	CHANGE LIMITS (Δ)	UNIT
3 to 4	Quiescent Current	I_{DD}	As per Table 2	As per Table 2	± 75	nA
29 to 32	Output Drive Current N-Channel	I_{OL1}	As per Table 2	As per Table 2	± 15 (1)	%
37 to 40	Output Drive Current P-Channel	I_{OH1}	As per Table 2	As per Table 2	± 15 (1)	%
45 to 48	Output Leakage Current Third State (1)	I_{OZ1}	As per Table 2	As per Table 2	± 60	nA
49 to 52	Output Leakage Current Third State (2)	I_{OZ2}	As per Table 2	As per Table 2	± 60	nA
69	Threshold Voltage N-Channel	V_{THN}	As per Table 2	As per Table 2	± 0.3	V
70	Threshold Voltage P-Channel	V_{THP}	As per Table 2	As per Table 2	± 0.3	V

NOTES 1. Percentage of limit value if voltage is the measurement function.



TABLE 5(a) - CONDITIONS FOR BURN-IN HIGH TEMPERATURE REVERSE BIAS, N-CHANNELS

NO.	CHARACTERISTICS	SYMBOL	CONDITION	UNIT
1	Ambient Temperature	T_{amb}	+ 125(+0-5)	°C
2	Outputs - (Pins D/F 4-5-11-13) (Pins C 5-6-14-16)	V_{OUT}	Open	-
3	Inputs - (Pins D/F 6-7-9-15) (Pins C 7-9-11-19)	V_{IN}	Ground	Vdc
4	Inputs - (Pins D/F 1-2-3-10-14) (Pins C 1-2-4-12-17)	V_{IN}	$V_{DD}/2$	Vdc
5	Positive Supply Voltage (Pin D/F 16) (Pin C 20)	V_{DD}	15	Vdc
6	Negative Supply Voltage (Pin D/F 8) (Pin C 10)	V_{SS}	Ground	Vdc

NOTES 1. Input Load = Protection Resistor = 2kΩ minimum to 47kΩ maximum.

TABLE 5(b) - CONDITIONS FOR BURN-IN HIGH TEMPERATURE REVERSE BIAS, P-CHANNELS

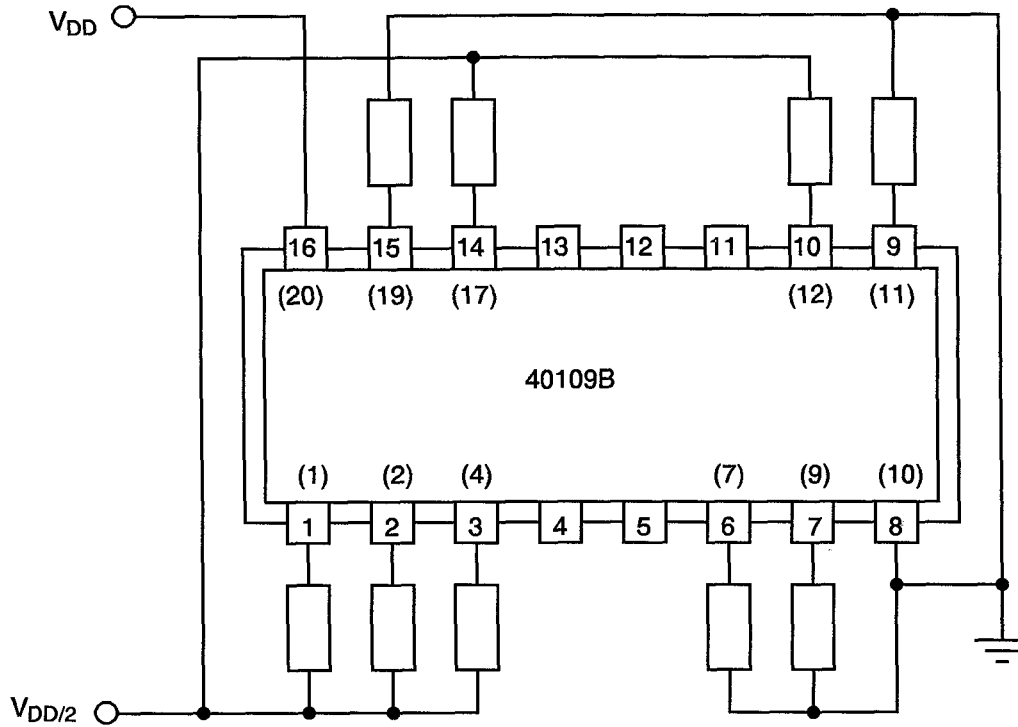
NO.	CHARACTERISTICS	SYMBOL	CONDITION	UNIT
1	Ambient Temperature	T_{amb}	+ 125(+0-5)	°C
2	Outputs - (Pins D/F 4-5-11-13) (Pins C 5-6-14-16)	V_{OUT}	Open	-
3	Inputs - (Pins D/F 1-6-7-9-15) (Pins C 1-7-9-11-19)	V_{IN}	$V_{DD}/2$	Vdc
4	Inputs - (Pins D/F 2-3-10-14) (Pins C 2-4-12-17)	V_{IN}	Ground	Vdc
5	Positive Supply Voltage (Pin D/F 16) (Pin C 20)	V_{DD}	15	Vdc
6	Negative Supply Voltage (Pin D/F 8) (Pin C 10)	V_{SS}	Ground	Vdc

NOTES 1. Input Load = Protection Resistor = 2kΩ minimum to 47kΩ maximum.

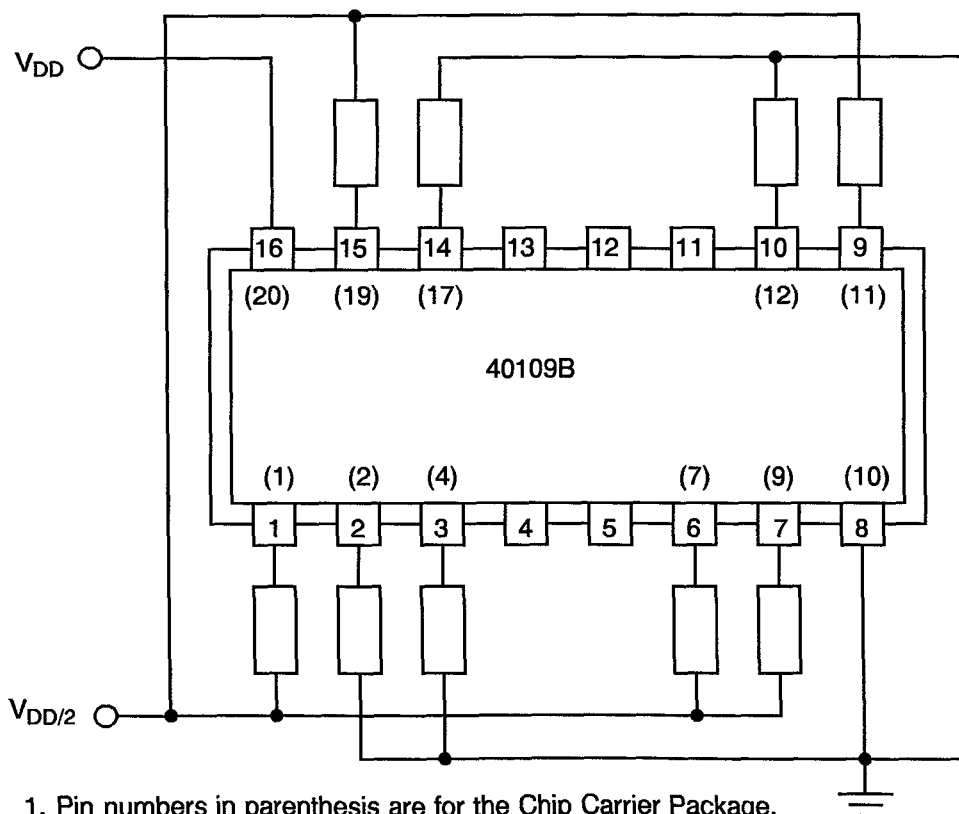
**TABLE 5(c) - CONDITIONS FOR BURN-IN DYNAMIC**

NO.	CHARACTERISTICS	SYMBOL	CONDITIONS	UNIT
1	Ambient Temperature	T_{amb}	+ 125(+ 0-5)	°C
2	Outputs - (Pins D/F 4-5-11-13) (Pins C 5-6-14-16)	V_{OUT}	$V_{DD}/2$	Vdc
3	Inputs - (Pins D/F 3-6-10-14) (Pins C 4-7-12-17)	V_{IN}	V_{GEN}	Vac
4	Inputs - (Pins D/F 1-2-7-9-15) (Pins C 1-2-9-11-19)	V_{IN}	V_{DD}	Vdc
5	Pulse Voltage	V_{GEN}	0 to V_{DD}	Vac
6	Pulse Frequency Square Wave	f	50k < f < 1M 50% Duty Cycle	Hz
7	Positive Supply Voltage (Pin D/F 16) (Pin C 20)	V_{DD}	15	Vdc
8	Negative Supply Voltage (Pin D/F 8) (Pin C 10)	V_{SS}	Ground	Vdc

NOTES 1. Input Load = Output Load = 2k Ω minimum to 47k Ω maximum.

FIGURE 5(a) - ELECTRICAL CIRCUIT FOR BURN-IN HIGH TEMPERATURE REVERSE BIAS, N-CHANNELS


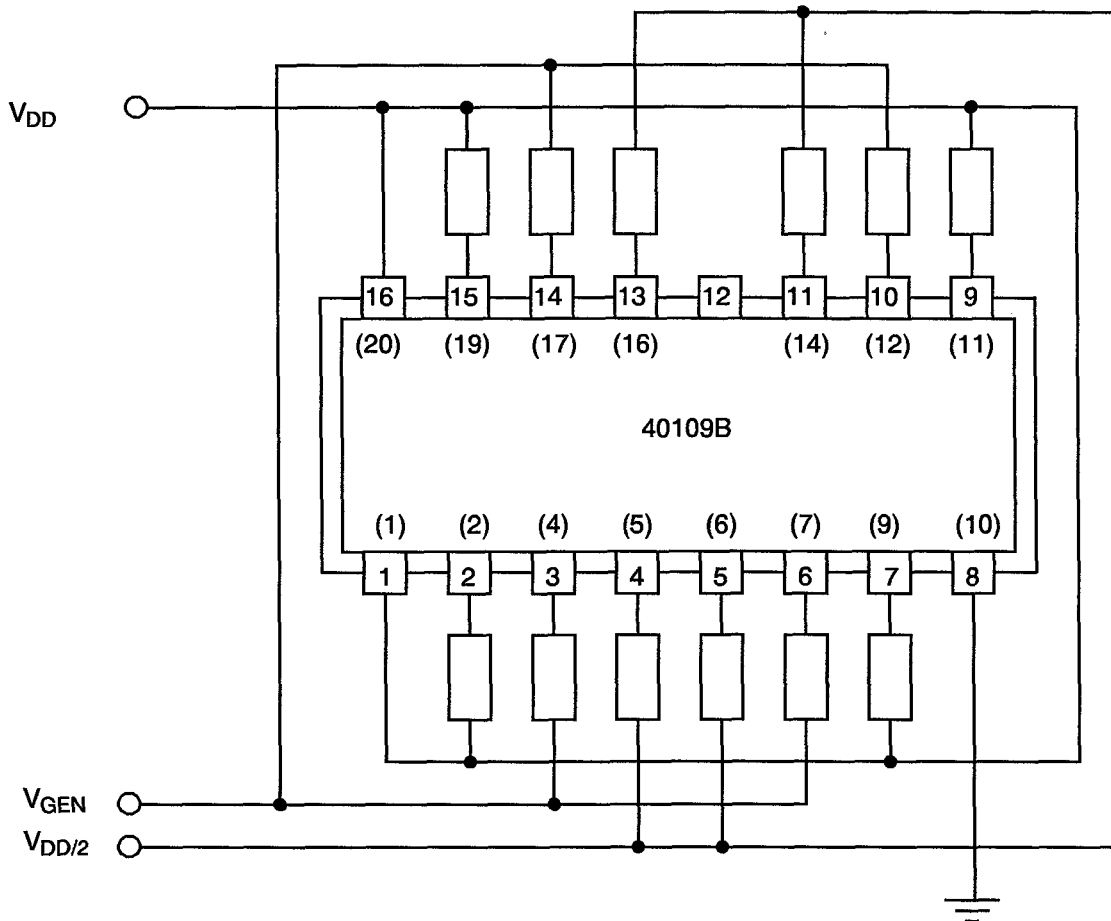
NOTES 1. Pin numbers in parenthesis are for the Chip Carrier Package.

FIGURE 5(b) - ELECTRICAL CIRCUIT FOR BURN-IN HIGH TEMPERATURE REVERSE BIAS, P-CHANNELS


NOTES 1. Pin numbers in parenthesis are for the Chip Carrier Package.



FIGURE 5(c) - ELECTRICAL CIRCUIT FOR BURN-IN DYNAMIC



NOTES 1. Pin numbers in parenthesis are for the Chip Carrier Package.

**4.8 ENVIRONMENTAL AND ENDURANCE TESTS (CHARTS IV AND V OF ESA/SCC GENERIC SPECIFICATION NO. 9000)****4.8.1 Electrical Measurements on Completion of Environmental Tests**

The parameters to be measured on completion of environmental tests are scheduled in Table 6. Unless otherwise stated, the measurements shall be performed at $T_{amb} = +22 \pm 3$ °C.

4.8.2 Electrical Measurements at Intermediate Points during Endurance Tests

The parameters to be measured at intermediate points during endurance tests are as scheduled in Table 6 of this specification.

4.8.3 Electrical Measurements on Completion of Endurance Tests

The parameters to be measured on completion of endurance testing are as scheduled in Table 6 of this specification. Unless otherwise stated, the measurements shall be performed at $T_{amb} = +22 \pm 3$ °C.

4.8.4 Conditions for Operating Life Test

The requirements for operating life testing are specified in Section 9 of ESA/SCC Generic Specification No. 9000. The conditions for operating life testing shall be as specified in Table 5(c) of this specification.

4.8.5 Electrical Circuits for Operating Life Tests

Circuits for use in performing the operating life tests are shown in Figure 5(c) of this specification.

4.8.6 Conditions for High Temperature Storage Test

The requirements for the high temperature storage test are specified in ESA/SCC Generic Specification No. 9000. The temperature to be applied shall be the maximum storage temperature specified in Table 1(b) of this specification.

**TABLE 6 - ELECTRICAL MEASUREMENTS ON COMPLETION OF ENVIRONMENTAL TESTS AND AT INTERMEDIATE POINTS AND ON COMPLETION OF ENDURANCE TESTING**

NO	CHARACTERISTICS	SYMBOL	SPEC. AND/OR TEST METHOD	TEST CONDITIONS	CHANGE LIMITS (Δ)			UNIT
						MIN	MAX	
1	Functional Test	-	As per Table 2	As per Table 2	-	-	-	-
3 to 4	Quiescent Current	I_{DD}	As per Table 2	As per Table 2	± 75	-	-	nA
5 to 12	Input Current Low Level	I_{IL}	As per Table 2	As per Table 2	-	-	-50	nA
13 to 20	Input Current High Level	I_{IH}	As per Table 2	As per Table 2	-	-	50	nA
21 to 24	Output Voltage Low Level	V_{OL}	As per Table 2	As per Table 2	-	-	0.05	V
25 to 28	Output Voltage High Level	V_{OH}	As per Table 2	As per Table 2	-	14.95	-	V
29 to 32	Output Drive Current N-Channel	I_{OL1}	As per Table 2	As per Table 2	± 15 (1)	-	-	%
33 to 36	Output Drive Current P-Channel	I_{OL2}	As per Table 2	As per Table 2	± 15 (1)	-	-	%
37 to 40	Output Drive Current N-Channel	I_{OH1}	As per Table 2	As per Table 2	± 15 (1)	-	-	%
41 to 44	Output Drive Current P-Channel	I_{OH2}	As per Table 2	As per Table 2	± 15 (1)	-	-	%
45 to 48	Output Leakage Current Third State (1)	I_{OZ1}	As per Table 2	As per Table 2	± 60	-	-	nA
49 to 52	Output Leakage Current Third State (2)	I_{OZ2}	As per Table 2	As per Table 2	± 60	-	-	nA

NOTES 1. Percentage of limit value if voltage is the measurement function.

**TABLE 6 - ELECTRICAL MEASUREMENTS ON COMPLETION OF ENVIRONMENTAL TESTS AND AT INTERMEDIATE POINTS AND ON COMPLETION OF ENDURANCE TESTING (CONTINUED)**

NO	CHARACTERISTICS	SYMBOL	SPEC. AND/OR TEST METHOD	TEST CONDITIONS	CHANGE LIMITS (Δ)			UNIT
						MIN	MAX	
53 to 56	Input Voltage Low Level (Noise Immunity)	V_{IL1}	As per Table 2	As per Table 2	-	-	0.5	V
61 to 64	Input Voltage High Level (Noise Immunity)	V_{IH1}	As per Table 2	As per Table 2	-	4.5	-	V
69	Threshold Voltage N-Channel	V_{THN}	As per Table 2	As per Table 2	± 0.3	-	-	V
70	Threshold Voltage P-Channel	V_{THP}	As per Table 2	As per Table 2	± 0.3	-	-	V

	<p style="text-align: center;">ESA/SCC Detail Specification No. 9407/003</p>	<p style="text-align: right;">PAGE 52 ISSUE 3</p>
--	--	---

APPENDIX 'A'

Page 1 of 1

AGREED DEVIATIONS FOR STMICROELECTRONICS (F)

ITEMS AFFECTED	DESCRIPTION OF DEVIATION
Para. 4.2.3	<p>Para. 9.23, High Temperature Reverse Bias Burn-in: The temperature limits of MIL-STD-883, Para. 4.5.8(c) may be used.</p> <p>Para. 9.24, Power Burn-in: The temperature limits of MIL-STD-883, Para. 4.5.8(c) may be used.</p>
Para. 4.2.4	Para. 9.21.1, Operating Life during Qualification Testing: The temperature limits of MIL-STD-883, Para. 4.5.8(c) may be used.
Para. 4.2.5	Para. 9.21.2, Operating Life during Lot Acceptance Testing: The temperature limits of MIL-STD-883, Para. 4.5.8(c) may be used.