



europaean space agency
agence spatiale européenne

Pages 1 to 46

**INTEGRATED CIRCUITS, SILICON MONOLITHIC,
CMOS QUAD 2-INPUT NAND-GATE,
WITH SCHMITT TRIGGER INPUTS,
BASED ON TYPE 4093B
ESA/SCC Detail Specification No. 9409/002**



**space components
coordination group**

Issue/Rev.	Date	Approved by	
		SCCG Chairman	ESA Director General or his Deputy
Issue 2	March 1992	<i>Ponomarev</i>	<i>[Signature]</i>
Revision 'A'	October 1994	<i>Ponomarev</i>	<i>[Signature]</i>
Revision 'B'	July 2000	<i>Sam Smith</i>	<i>[Signature]</i>
Revision 'C'	May 2001	<i>Sam Smith</i>	<i>[Signature]</i>



DOCUMENTATION CHANGE NOTICE

Rev. Letter	Rev. Date	Reference	CHANGE Item	Approved DCR No.
		This Issue supersedes Issue 1 and incorporates all modifications defined in Revision 'A' to Issue 1 and the following DCR's:-		
		Cover Page	: Title amended	23517
		DCN		None
		Para. 1.1	: First sentence text completed	23517
		Para. 1.10	: Last sentence rewritten to include ESD Class and Critical Path Failure Voltage	23385
		Table 1(a)	: Table amended	22398
			: Lead Material and/or Finish amended	23465
		Table 1(b)	: No. 2, in Remarks "and 3" deleted and "Power on" added	23517
			: No. 3, in Remarks, "3 and" added	23517
			: No. 9, package soldering temperatures changed	22314
			: Notes - Note 8 added	22314
		Figure 2(a)	: Table corrected	23247
		Figure 2(b)	: "CKT A" deleted from Title	22398
		Figure 2(c)	: Figure deleted in toto	22398
		Figure 2(d)	: Title amended to "2(c)"	22398
			: Table corrected	23247
		Notes to Figures	: In Title and Note 1, 2(d) amended to "2(c)"	22398
		Figure 3(a)	: DIL/FP Outline rationalised	23517
		Figures 3(c), (d), (e)	: Circuit A heading and Circuit B heading and drawing deleted	22398
		Para. 3	: Abbreviations for " $V_{(BR)}$ " and " V_F " deleted	23517
		Para. 4.2.2	: Deviation deleted, "None." added	22360/ 21048
		Para. 4.2.4	: Deviation deleted, "None." added	22919
		Para. 4.2.5	: Deviation deleted, "None." added	22919
		Para. 4.4.2	: Material Type and Finishes amended	23465
		Para. 4.5.2	: Third sentence amended to read "...2(c)."	22398
		Tables 2, 3(a), (b)	: Nos. 5 to 12, in Conditions, V_{IN} (Remaining Inputs) corrected	23472
			: Nos. 41 to 48, in Conditions, (V_{IN2}) corrected	23517
			: Nos. 89 to 96 and 97 to 104, in Conditions, " $V_{SS} = 0Vdc$ " added	23517
			: No. 105, in Conditions, A1 corrected to "A"	23517
			: No. 106, in Conditions, A1 corrected to "A" and B1 corrected to "B".	23517
		Table 2	: Nos. 107 to 114, in Conditions, " $V_{SS} = 0Vdc$ " added	23517
			: Limits column amended	22398
			: Nos. 115 to 122, "CKT A" deleted from first measurement and "CKT B" entry deleted in toto	22398
			: Nos. 131 and 132, "1" deleted from symbol	23517
			: Note 5, $V_{TP}-V_{IN}$ corrected to " $V_{TP}-V_{TN}$ "	23517
		Figure 4(a)	: Title corrected	23517
			: Patterns 4, 7 and 8 amended	23472
		Figure 4(c)	: Inputs corrected	23517
		Figures 4(g), (h)	: Figures amended	23076
		Figure 4(h)	: Note 2 corrected	23517

**SCC**ESA/SCC Detail Specification
No. 9409/002

Rev. 'C'

PAGE 2A

ISSUE 2

DOCUMENTATION CHANGE NOTICE

Rev. Letter	Rev. Date	Reference	CHANGE Item	Approved DCR No.
		Figures 4(i), (j) Figure 4(l) Figure 4(m) Figures 4(o), (q) Figure 4(q) Tables 5(a), (b) Figures 5(a), (b) Para. 4.8.4 and 4.8.5 Table 6	: Drawing corrected : "A Input" added to Grounded Connection : "A Input" added to Grounded Connection : Connection from Input to V _{DD} marked "B Input" added : Circuit A heading and Circuit B heading and drawing deleted : Timing Waveforms corrected : Titles amended : Titles amended : Reference to Table and Figure amended to "5(c)" : Nos. 33 to 36, in Characteristics, "N-Channel" added	23517 23517 23517 23517 22398 23162 23162 23162 23517 23517
'A'	Oct. '94	P1. Cover Page P2A. DCN P6. Table 1(a) P8. Figure 2(b) P10. Notes P14. Para. 4.3.2 Para. 4.4.2	: Lead Material and/or Finish amended : Drawing altered : Dimension F(Max) amended : Note 7 added : Weights amended : Lead Finish, Types amended	None None 221049 23540 23540 23540 23539 221049
'B'	Jul. '00	P1. Cover Page P2A. DCN P6. Table 1(a) P7. Figure 2(a) P9. Figure 2(c) P10. Notes to Figures P10A. Figure 2(d) P11. Figure 3(a) P14. Para. 4.3.2 Para. 4.4.2 Para. 4.5.2	: Variants 08 and 09 added : Side elevation amended : Dimension 'C' amended : In the drawing, Pin No. 20 location corrected : Title amended : New page added : Left-hand Title amended : "SO" added to comparison Titles : SO package added to text : SO package added to text : SO package added to text	None None 221567 221567 221567 221550 221567 221567 221567 221567 221567 221567 221567
'C'	May '01	P1. Cover page P2A. DCN P4. T of C P5. Para. 1.3 P6. Table 1(b) P43. Para. 4.8.6 P46. Appendix 'A'	: Page count incremented by 1 : Appendices entry amended : New sentence added : No. 8, Maximum temperature amended : Last sentence deleted, new text added : Appendix added	221602 None 221602 221602 221602 221602 221602

**TABLE OF CONTENTS**

	<u>Page</u>
1. <u>GENERAL</u>	5
1.1 Scope	5
1.2 Component Type Variants	5
1.3 Maximum Ratings	5
1.4 Parameter Derating Information	5
1.5 Physical Dimensions	5
1.6 Pin Assignment	5
1.7 Truth Table	5
1.8 Circuit Schematic	5
1.9 Functional Diagram	5
1.10 Handling Precautions	5
1.11 Input Protection Network	5
2. <u>APPLICABLE DOCUMENTS</u>	13
3. <u>TERMS, DEFINITIONS, ABBREVIATIONS, SYMBOLS AND UNITS</u>	13
4. <u>REQUIREMENTS</u>	13
4.1 General	13
4.2 Deviations from Generic Specification	13
4.2.1 Deviations from Special In-process Controls	13
4.2.2 Deviations from Final Production Tests	13
4.2.3 Deviations from Burn-in Tests	13
4.2.4 Deviations from Qualification, Environmental and Endurance Tests	13
4.2.5 Deviations from Lot Acceptance Tests	14
4.3 Mechanical Requirements	14
4.3.1 Dimension Check	14
4.3.2 Weight	14
4.4 Materials and Finishes	14
4.4.1 Case	14
4.4.2 Lead Material and Finish	14
4.5 Marking	14
4.5.1 General	14
4.5.2 Lead Identification	14
4.5.3 The SCC Component Number	15
4.5.4 Traceability Information	15
4.6 Electrical Measurements	15
4.6.1 Electrical Measurements at Room Temperature	15
4.6.2 Electrical Measurements at High and Low Temperatures	15
4.6.3 Circuits for Electrical Measurements	15
4.7 Burn-in Tests	15
4.7.1 Parameter Drift Values	15
4.7.2 Conditions for H.T.R.B. and Burn-in	15
4.7.3 Electrical Circuits for H.T.R.B. and Burn-in	15
4.8 Environmental and Endurance Tests	43
4.8.1 Electrical Measurements on Completion of Environmental Tests	43
4.8.2 Electrical Measurements at Intermediate Points during Endurance Tests	43
4.8.3 Electrical Measurements on Completion of Endurance Tests	43
4.8.4 Conditions for Operating Life Test	43
4.8.5 Electrical Circuits for Operating Life Tests	43
4.8.6 Conditions for High Temperature Storage Test	43

TABLES

		<u>Page</u>
1(a)	Type Variants	6
1(b)	Maximum Ratings	6
2	Electrical Measurements at Room Temperature, d.c. Parameters	16
	Electrical Measurements at Room Temperature, a.c. Parameters	20
3(a)	Electrical Measurements at High Temperature	22
3(b)	Electrical Measurements at Low Temperature	26
4	Parameter Drift Values	38
5(a)	Conditions for Burn-in High Temperature Reverse Bias, N-Channels	39
5(b)	Conditions for Burn-in High Temperature Reverse Bias, P-Channels	39
5(c)	Conditions for Burn-in Dynamic	40
6	Electrical Measurements on Completion of Environmental Tests and at Intermediate Points and on Completion of Endurance Testing	44

FIGURES

1	Not applicable	
2	Physical Dimensions	7
3(a)	Pin Assignment	11
3(b)	Truth Table	11
3(c)	Circuit Schematic	12
3(d)	Functional Diagram	12
3(e)	Input Protection Network	12
4	Circuits for Electrical Measurements	30
5(a)	Electrical Circuit for Burn-in High Temperature Reverse Bias, N-Channels	41
5(b)	Electrical Circuit for Burn-in High Temperature Reverse Bias, P-Channels	41
5(c)	Electrical Circuit for Burn-in Dynamic	42

APPENDICES (Applicable to specific Manufacturers only)

'A'	Agreed Deviations for STMicroelectronics (F)	46
-----	--	----

**1. GENERAL****1.1 SCOPE**

This specification details the ratings, physical and electrical characteristics, test and inspection data for a silicon monolithic, CMOS Dual Quad 2-Input NAND-Gate, with Schmitt Trigger Inputs, having fully buffered outputs, based on Type 4093B. It shall be read in conjunction with ESA/SCC Generic Specification No. 9000, the requirements of which are supplemented herein.

1.2 COMPONENT TYPE VARIANTS

Variants of the basic type integrated circuits specified herein, which are also covered by this specification, are given in Table 1(a).

1.3 MAXIMUM RATINGS

The maximum ratings, which shall not be exceeded at any time during use or storage, applicable to the integrated circuits specified herein, are as scheduled in Table 1(b).

Maximum ratings shall only be exceeded during testing to the extent specified in this specification and when stipulated in Test Methods and Procedures of the applicable ESA/SCC Generic Specification.

1.4 PARAMETER DERATING INFORMATION (FIGURE 1)

Not applicable.

1.5 PHYSICAL DIMENSIONS

As per Figure 2.

1.6 PIN ASSIGNMENT

As per Figure 3(a).

1.7 TRUTH TABLE

As per Figure 3(b).

1.8 CIRCUIT SCHEMATIC

As per Figure 3(c).

1.9 FUNCTIONAL DIAGRAM

As per Figure 3(d).

1.10 HANDLING PRECAUTIONS

These devices are susceptible to damage by electrostatic discharge. Therefore, suitable precautions shall be employed for protection during all phases of manufacture, testing, packaging, shipment and any handling. These components are Categorised as Class 1 with a Minimum Critical Path Failure Voltage of 400 Volts.

1.11 INPUT PROTECTION NETWORK

Double diode protection shall be incorporated into each input as shown in Figure 3(e).

**TABLE 1(a) - TYPE VARIANTS**

VARIANT	CASE	FIGURE	LEAD MATERIAL AND/OR FINISH
01	FLAT	2(a)	G2 or G8
02	FLAT	2(a)	G4
03	D.I.L.	2(b)	G2 or G8
04	D.I.L.	2(b)	G4
07	CHIP CARRIER	2(c)	2
08	SO CERAMIC	2(d)	G2
09	SO CERAMIC	2(d)	G4

TABLE 1(b) - MAXIMUM RATINGS

NO.	CHARACTERISTICS	SYMBOL	MAXIMUM RATINGS	UNIT	REMARKS
1	Supply Voltage	V_{DD}	-0.5 to +18	V	Note 1
2	Input Voltage	V_{IN}	-0.5 to $V_{DD} + 0.5$	V	Note 2 Power on
3	D.C. Input Current	$\pm I_{IN}$	10	mA	Notes 3 and 4
4	D.C. Output Current	$\pm I_O$	10	mA	Note 5
5	Device Dissipation	P_D	200	mWdc	Per Package
6	Output Dissipation	P_{DSO}	100	mWdc	Note 6
7	Operating Temperature Range	T_{op}	-55 to +125	°C	-
8	Storage Temperature Range	T_{stg}	-65 to +150	°C	-
9	Soldering Temperature For FP and DIP For CCP	T_{sol}	+300 +245	°C	Note 7 Note 8

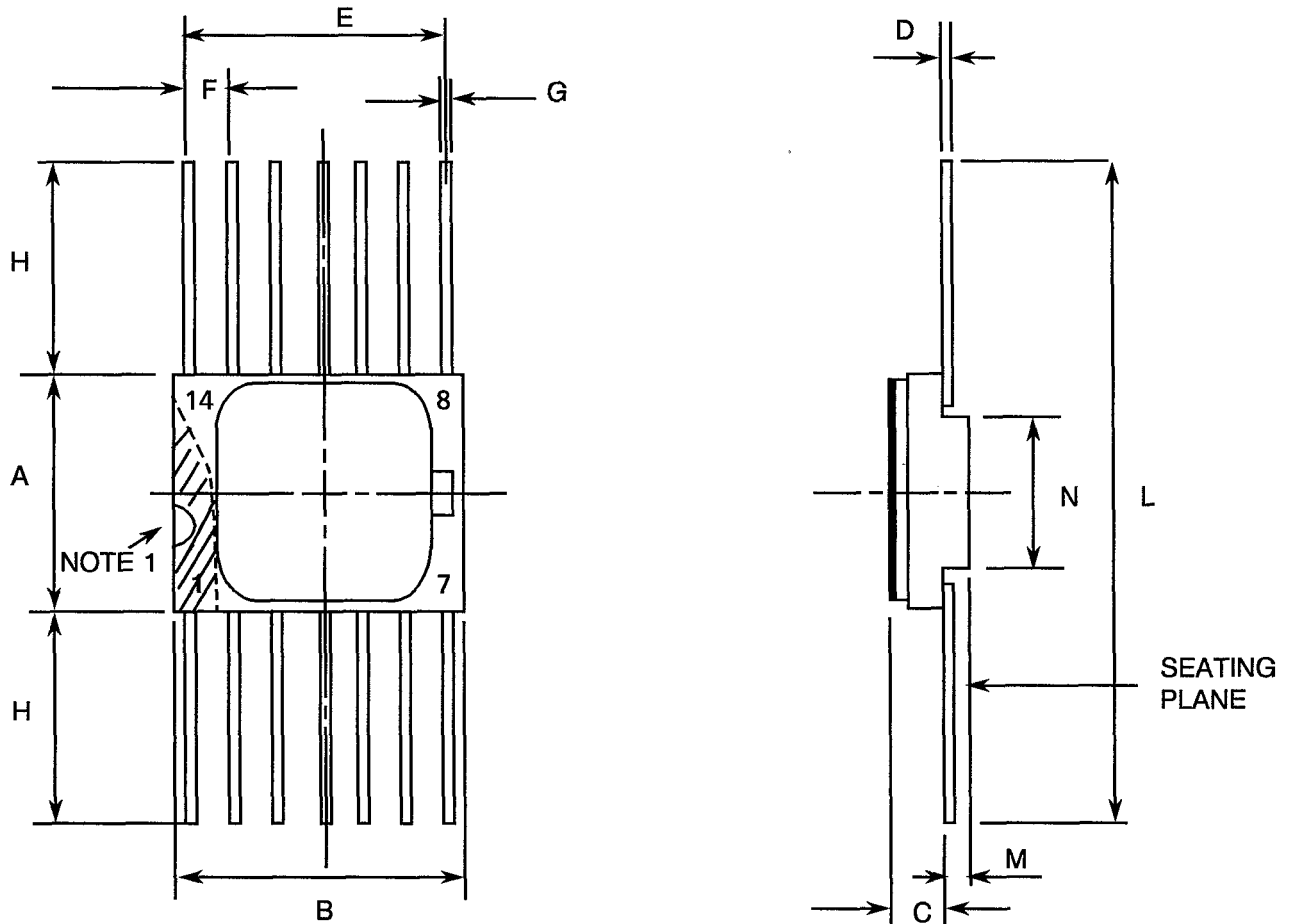
NOTES

- Device is functional from +3V to +15V with reference to V_{SS} .
- $V_{DD} + 0.5V$ should not exceed +18V.
- Power on or off input current limited to $\pm 10mA$.
- Any one input.
- The maximum output current of any single output.
- The maximum power dissipation of any single output.
- Duration 10 seconds maximum at a distance of not less than 1.5mm from the device body and the same lead shall not be resoldered until 3 minutes have elapsed.
- Duration 30 seconds maximum and the same terminal shall not be resoldered until 3 minutes have elapsed.



FIGURE 2 - PHYSICAL DIMENSIONS

FIGURE 2(a) - FLAT PACKAGE, 14-Pin



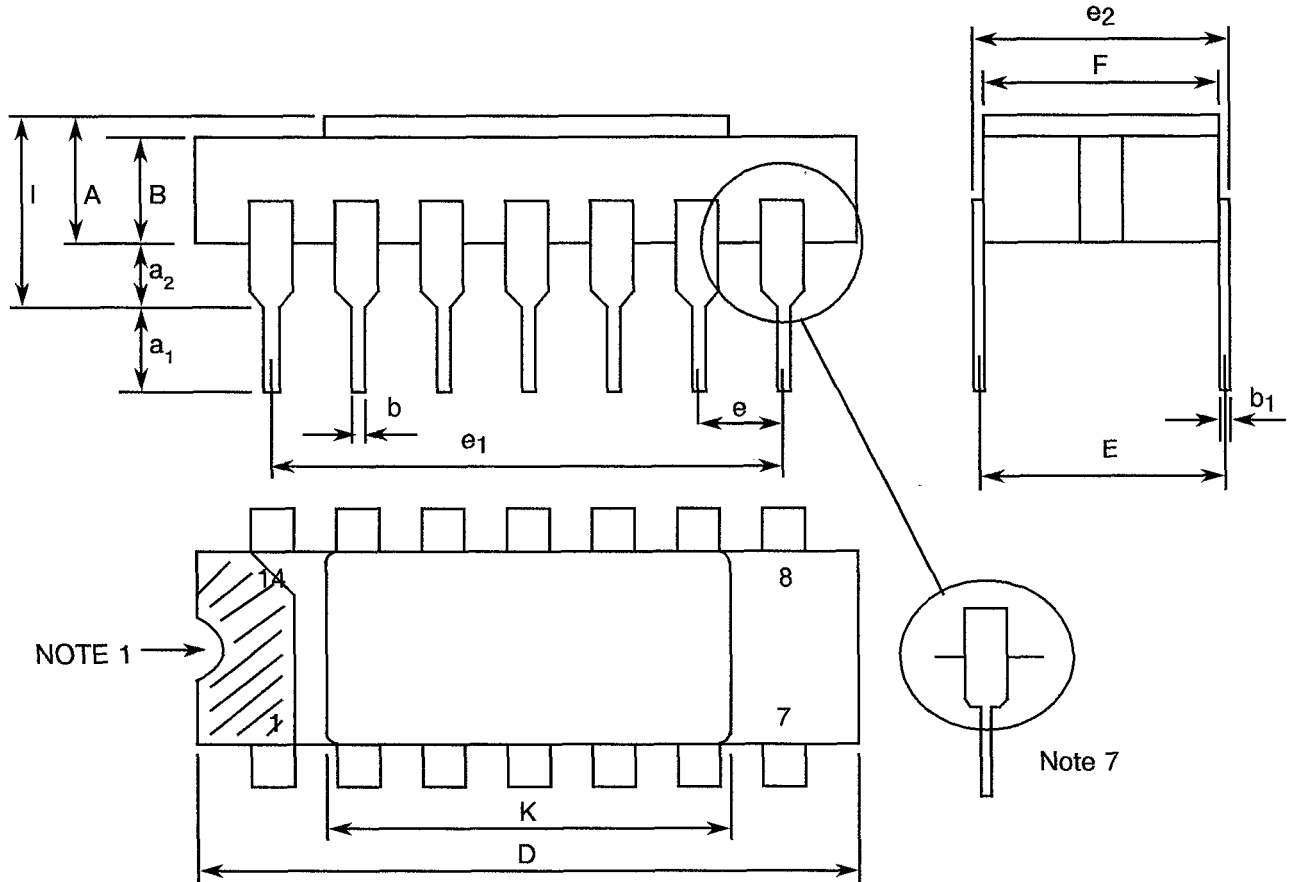
SYMBOL	MILLIMETRES		NOTES
	MIN	MAX	
A	6.75	7.06	
B	9.76	10.14	
C	1.49	1.95	
D	0.102	0.152	3
E	7.50	7.75	
F	1.27	TYPICAL	4
G	0.38	0.48	3
H	6.0	-	3
L	18.75	22.0	
M	0.33	0.43	
N	4.31	TYPICAL	

NOTES: See Page 10.



FIGURE 2 - PHYSICAL DIMENSIONS (CONTINUED)

FIGURE 2(b) - DUAL-IN-LINE PACKAGE, 14-PIN



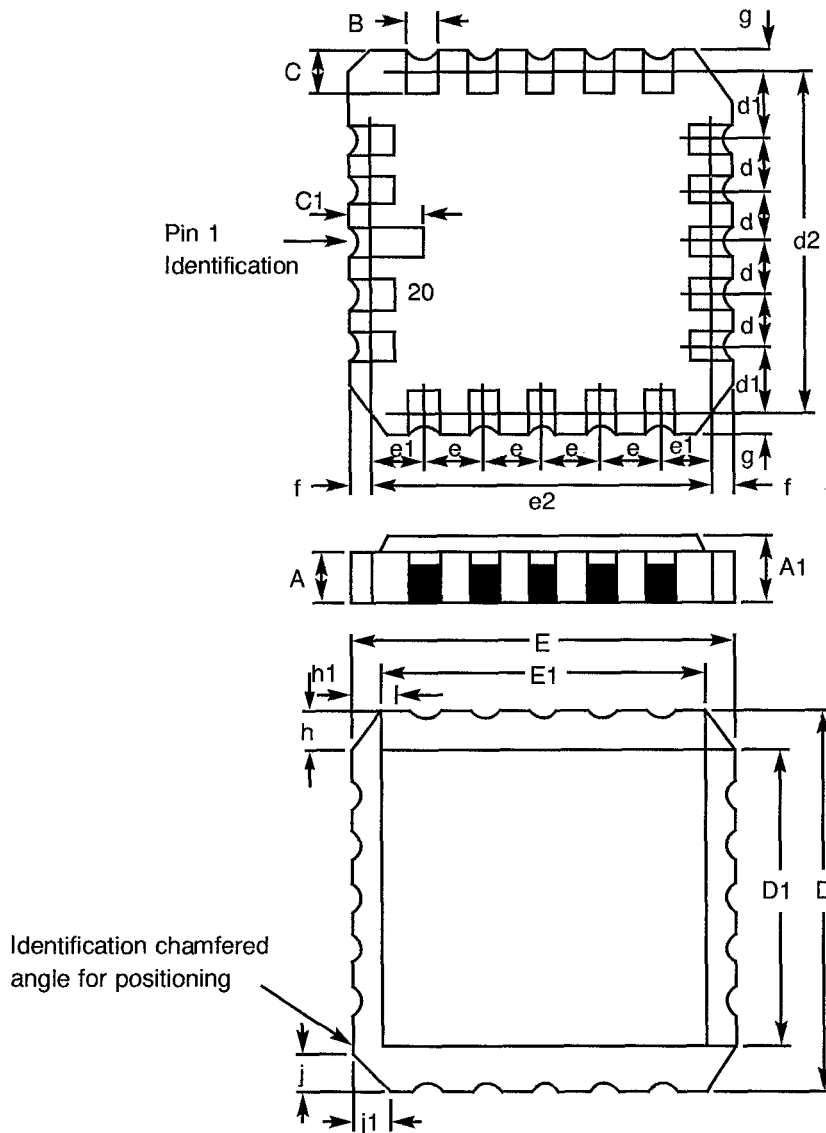
SYMBOL	MILLIMETRES		NOTES
	MIN	MAX	
A	2.10	2.54	
a ₁	3.0	3.7	
a ₂	0.63	1.14	2
B	1.82	2.23	
b	0.40	0.50	3
b ₁	0.20	0.30	3
D	18.79	19.20	
E	7.36	7.87	
e	2.29	2.79	4
e ₁	15.11	15.37	
e ₂	7.62	8.12	
F	7.11	7.75	
I	-	3.70	
K	10.90	12.10	

NOTES: See Page 10.



FIGURE 2 - PHYSICAL DIMENSIONS (CONTINUED)

FIGURE 2(c) - CHIP CARRIER - 20-TERMINAL



DIMENSIONS	MILLIMETRES		NOTES
	MIN	MAX	
A	1.14	1.95	
A1	1.63	2.36	
B	0.55	0.72	3
C	1.06	1.47	3
C ₁	1.91	2.41	
D	8.67	9.09	
D1	7.21	7.52	
d, d1	1.27	TYPICAL	4
d2	7.62	TYPICAL	
E	8.67	9.09	
E1	7.21	7.52	
e, e1	1.27	TYPICAL	4
e2	7.62	TYPICAL	
f, g	-	0.76	
h, h1	1.01	TYPICAL	6
j, j1	0.51	TYPICAL	5

NOTES: See Page 10.


	ESA/SCC Detail Specification No. 9409/002	Rev. 'B'	PAGE 10 ISSUE 2
--	--	----------	--------------------

FIGURE 2 - PHYSICAL DIMENSIONS (CONTINUED)

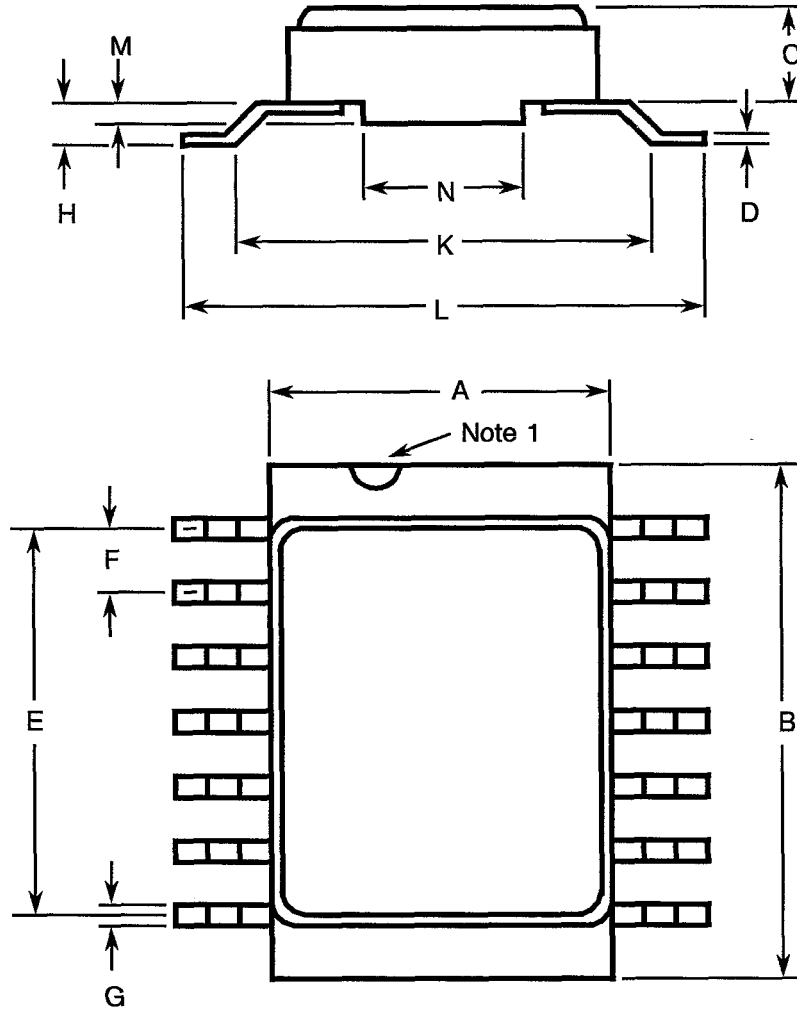
NOTES TO FIGURES 2(a) TO 2(d) INCLUSIVE

1. Index area; a notch, letter or dot shall be located adjacent to Pin 1 and shall be within the shaded area shown. For chip carrier packages the index shall be as defined in Figure 2(c).
2. The dimension shall be measured from the seating plane to the base plane.
3. All leads or terminals.
4. Twelve spaces.
5. Index corner only.
6. Three non-index corners.
7. For all pins, either pin shape may be supplied.



FIGURE 2 - PHYSICAL DIMENSIONS (CONTINUED)

FIGURE 2(d) - SMALL OUTLINE CERAMIC PACKAGE, 14-PIN



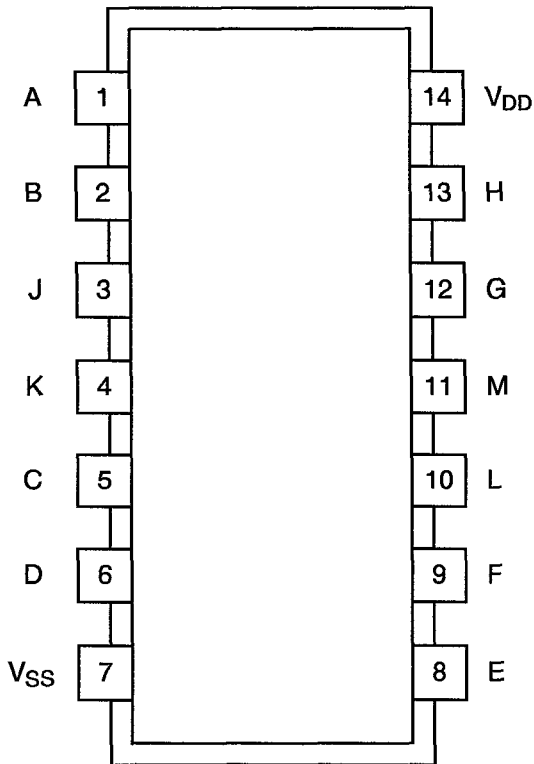
SYMBOL	MILLIMETRES		NOTES
	MIN.	MAX.	
A	6.75	7.06	
B	9.76	10.14	
C	1.49	1.95	
D	0.102	0.152	3
E	7.50	7.75	
F	1.27 TYPICAL		4
G	0.38	0.48	3
H	0.60	0.90	3
K	9.00 TYPICAL		
L	10	10.65	
M	0.33	0.43	
N	4.31 TYPICAL		

NOTES: See Page 10.



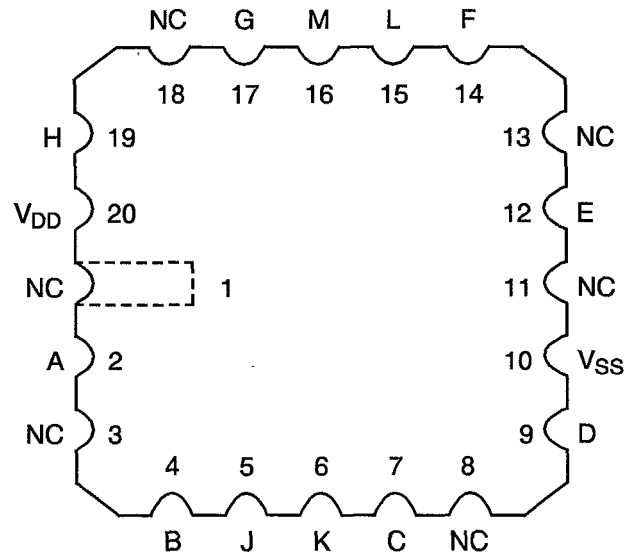
FIGURE 3(a) - PIN ASSIGNMENT

DUAL-IN-LINE, SO AND FLAT PACKAGES



TOP VIEW

CHIP CARRIER PACKAGE



TOP VIEW

FLAT PACKAGE, SO AND DUAL-IN-LINE TO CHIP CARRIER PIN ASSIGNMENT

FLAT PACKAGE, SO AND DUAL-IN-LINE PIN OUTS	1	2	3	4	5	6	7	8	9	10	11	12	13	14
CHIP CARRIER PIN OUTS	2	4	5	6	7	9	10	12	14	15	16	17	19	20

FIGURE 3(b) - TRUTH TABLE

TRUTH TABLE (EACH GATE)		
INPUT		OUTPUT
A	B	$Y = \overline{A \cdot B}$
L	L	H
H	L	H
L	H	H
H	H	L

NOTES

1. Positive Logic: $Y = \overline{A \cdot B}$.
2. Logic Level Definitions: L = Low Level, H = High Level.



FIGURE 3(c) - CIRCUIT SCHEMATIC (EACH GATE)

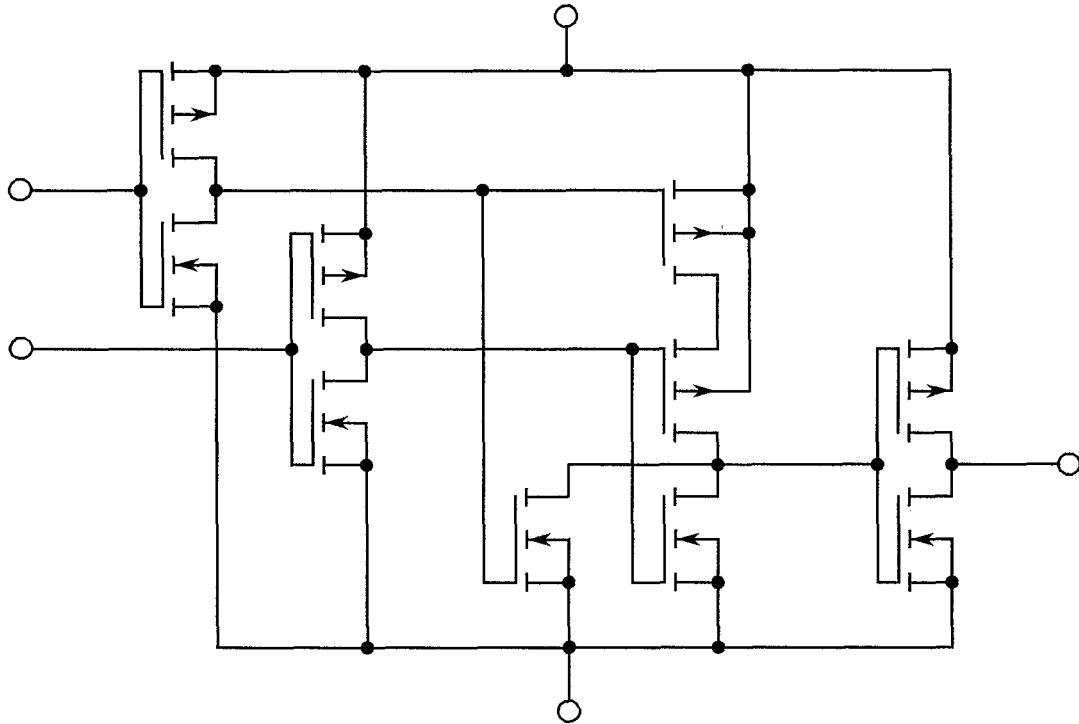


FIGURE 3(d) - FUNCTIONAL DIAGRAM (EACH GATE)

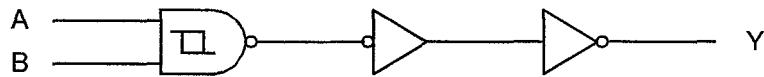
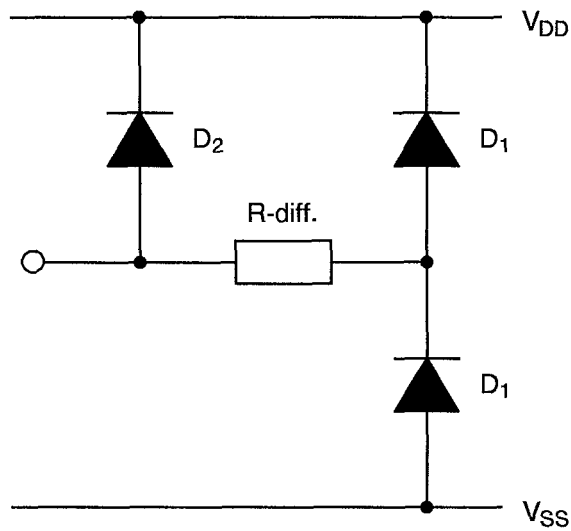


FIGURE 3(e) - INPUT PROTECTION NETWORK



**2. APPLICABLE DOCUMENTS**

The following documents form part of this specification and shall be read in conjunction with it:-

- (a) ESA/SCC Generic Specification No. 9000 for Integrated Circuits.
- (b) MIL-STD-883, Test Methods and Procedures for Micro-electronics.

3. TERMS, DEFINITIONS, ABBREVIATIONS, SYMBOLS AND UNITS

For the purpose of this specification, the terms, definitions, abbreviations, symbols and units specified in ESA/SCC Basic Specification No. 21300 shall apply. In addition, the following abbreviations are used:

- V_{IC} = Input Clamp Voltage
- P_{DSO} = Single Output Power Dissipation
- V_{TP} = Positive Trigger Threshold Voltage
- V_{TN} = Negative Trigger Threshold Voltage
- V_H = Hysteresis Voltage ($V_{TP} - V_{TN}$)
- CKT = Circuit

4. REQUIREMENTS**4.1 GENERAL**

The complete requirements for procurement of the integrated circuits specified herein shall be as stated in this specification and ESA/SCC Generic Specification No. 9000 for Integrated Circuits. Deviations from the Generic Specification, applicable to this specification only, are listed in Para. 4.2.

Deviations from the applicable Generic Specification and this Detail Specification, formally agreed with specific Manufacturers on the basis that the alternative requirements are equivalent to the ESA/SCC requirement and do not affect the components' reliability, are listed in the appendices attached to this specification.

4.2 DEVIATIONS FROM GENERIC SPECIFICATION**4.2.1 Deviations from Special In-process Controls**

None.

4.2.2 Deviations from Final Production Tests (Chart II)


None.

4.2.3 Deviations from Burn-in Tests (Chart III)**4.2.3.1 Deviations from High Temperature Reverse Bias (H.T.R.B.)**

Prior to operating power burn-in, a high temperature reverse bias (H.T.R.B.) screen at +125°C shall be added for the N-Channel and then for the P-Channel in accordance with Tables 5(a) and 5(b) of this specification. Each exposure to H.T.R.B. shall be 72 hours and Table 4 Parameter Drift Values shall be applied at 0 and 144 hours.

4.2.4 Deviations from Qualification, Environmental and Endurance Tests (Chart IV)

None.

	<p style="text-align: center;">ESA/SCC Detail Specification No. 9409/002</p>	<p style="text-align: center;">Rev. 'B'</p>	<p>PAGE 14 ISSUE 2</p>
--	--	---	----------------------------

4.2.5 Deviations from Lot Acceptance Tests (Chart V)

None.

4.3 MECHANICAL REQUIREMENTS

4.3.1 Dimension Check

The dimensions of the integrated circuits specified herein shall be checked. They shall conform to those shown in Figure 2.

4.3.2 Weight

The maximum weight of the integrated circuits specified herein shall be 1.34 grammes for the dual-in-line package, 0.58 grammes for the flat and SO packages and 0.52 grammes for the chip carrier package.

4.4 MATERIALS AND FINISHES

The materials and finishes shall be as specified herein. Where a definite material is not specified, a material which will enable the integrated circuits specified herein to meet the performance requirements of this specification shall be used. Acceptance or approval of any constituent material does not guarantee acceptance of the finished product.

4.4.1 Case

The case shall be hermetically sealed and have a metal body with hard glass seals or a ceramic body and the lids shall be welded, brazed or preform-soldered.

4.4.2 Lead Material and Finish

For dual-in-line and flat packages, the material shall be Type 'G' with either Type '4' or Type '2 or 8' finish in accordance with ESA/SCC Basic Specification No. 23500. For chip carrier packages the finish shall be Type '2' in accordance with ESA/SCC Basic Specification No. 23500. For SO ceramic packages, the material shall be Type 'G' with either Type '2' or Type '4' finish in accordance with ESA/SCC Basic Specification No. 23500. (See Table 1(a) for Type Variants).

4.5 MARKING

4.5.1 General

The marking of all components delivered to this specification shall be in accordance with the requirements of ESA/SCC Basic Specification No. 21700. Each component shall be marked in respect of:-

- (a) Lead Identification.
- (b) The SCC Component Number.
- (c) Traceability Information.

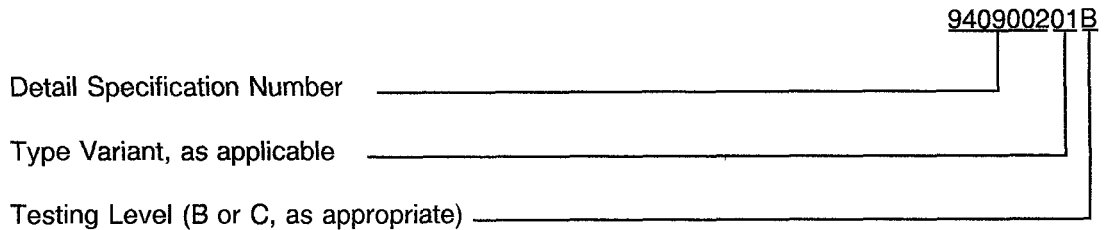
4.5.2 Lead Identification

For dual-in-line, flat and SO packages, an index shall be located at the top of the package in the position defined in Note 1 to Figure 2 or, alternatively, a tab may be used to identify Pin No. 1. The pin numbering must be read with the index or tab on the left-hand side. For chip carrier packages, the index shall be as defined by Figure 2(c).



4.5.3 The SCC Component Number

Each component shall bear the SCC Component Number which shall be constituted and marked as follows:



4.5.4 Traceability Information

Each component shall be marked in respect of traceability information in accordance with the requirements of ESA/SCC Basic Specification No. 21700.

4.6 ELECTRICAL MEASUREMENTS

4.6.1 Electrical Measurements at Room Temperature

The parameters to be measured in respect of electrical characteristics are scheduled in Table 2. Unless otherwise specified, the measurements shall be performed at $T_{amb} = +22 \pm 3$ °C.

4.6.2 Electrical Measurements at High and Low Temperatures

The parameters to be measured at high and low temperatures are scheduled in Table 3. The measurements shall be performed at $T_{amb} = +125(+0-5)$ °C and $-55(+5-0)$ °C respectively.

4.6.3 Circuits for Electrical Measurements

Circuits and functional test sequence for use in performing electrical measurements listed in Tables 2 and 3 of this specification are shown in Figure 4.

4.7 BURN-IN TESTS

4.7.1 Parameter Drift Values

The parameter drift values applicable to burn-in are specified in Table 4 of this specification. Unless otherwise stated, measurements shall be performed at $+22 \pm 3$ °C. The parameter drift values (Δ) applicable to the parameters scheduled, shall not be exceeded. In addition to these drift value requirements, the appropriate limit value specified for a given parameter in Table 2 shall not be exceeded.

4.7.2 Conditions for H.T.R.B. and Burn-in

The requirements for H.T.R.B. and Burn-in are specified in Section 7 of ESA/SCC Generic Specification No. 9000. The conditions for H.T.R.B. and Burn-in shall be as specified in Tables 5(a), 5(b) and 5(c) of this specification.

4.7.3 Electrical Circuits for H.T.R.B. and Burn-in

Circuits for use in performing the H.T.R.B. and Burn-in tests are shown in Figures 5(a), 5(b) and 5(c) of this specification.

**TABLE 2 - ELECTRICAL MEASUREMENTS AT ROOM TEMPERATURE - d.c. PARAMETERS**

NO.	CHARACTERISTICS	SYMBOL	TEST METHOD MIL-STD 883	TEST FIG.	TEST CONDITIONS (PINS UNDER TEST D/F = DIP AND FP C = CCP)	LIMITS		UNIT
						MIN	MAX	
1	Functional Test	-	-	4(a)	Verify Truth Table without Load. $V_{DD} = 3V_{dc}$, $V_{SS} = 0V_{dc}$ Notes 1 and 2	-	-	-
2	Functional Test	-	-	4(a)	Verify Truth Table without Load. $V_{DD} = 15V_{dc}$, $V_{SS} = 0V_{dc}$ Notes 1 and 2	-	-	-
3 to 4	Quiescent Current	I_{DD}	3005	4(b)	$V_{IL} = 0V_{dc}$, $V_{IH} = 15V_{dc}$ $V_{DD} = 15V_{dc}$, $V_{SS} = 0V_{dc}$ Note 3 (Pin D/F 14) (Pin C 20)	-	500	nA
5 to 12	Input Current Low Level	I_{IL}	3009	4(c)	V_{IN} (Under Test) = $0V_{dc}$ V_{IN} (Remaining Inputs) = $15V_{dc}$ $V_{DD} = 15V_{dc}$, $V_{SS} = 0V_{dc}$ (Pins D/F 1-2-5-6-8-9-12-13) (Pins C 2-4-7-9-12-14-17-19)	-	-50	nA
13 to 20	Input Current High Level	I_{IH}	3010	4(d)	V_{IN} (Under Test) = $15V_{dc}$ V_{IN} (Remaining Inputs) = $0V_{dc}$ $V_{DD} = 15V_{dc}$, $V_{SS} = 0V_{dc}$ (Pins D/F 1-2-5-6-8-9-12-13) (Pins C 2-4-7-9-12-14-17-19)	-	50	nA
21 to 24	Output Voltage Low Level	V_{OL}	3007	4(e)	Gate Under Test: $V_{IN} = 15V_{dc}$ $V_{OUT} = \text{Open}$ All Other Gates: $V_{IN} = 0V_{dc}$ $V_{DD} = 15V_{dc}$, $V_{SS} = 0V_{dc}$ (Pins D/F 3-4-10-11) (Pins C 5-6-15-16)	-	0.05	V

NOTES: See Page 21.

**TABLE 2 - ELECTRICAL MEASUREMENTS AT ROOM TEMPERATURE - d.c. PARAMETERS (CONT'D)**

NO.	CHARACTERISTICS	SYMBOL	TEST METHOD MIL-STD 883	TEST FIG.	TEST CONDITIONS (PINS UNDER TEST D/F = DIP AND FP C = CCP)	LIMITS		UNIT
						MIN	MAX	
25 to 32	Output Voltage High Level	V_{OH}	3006	4(f)	Gate Under Test: $V_{IN1} = 15Vdc$, $V_{IN2} = 0Vdc$ ($V_{IN1} = 0Vdc$, $V_{IN2} = 15Vdc$) $V_{OUT} = \text{Open}$ All Other Gates: $V_{IN} = 0Vdc$ $V_{DD} = 15Vdc$, $V_{SS} = 0Vdc$ (Pins D/F 3-4-10-11) (Pins C 5-6-15-16)	14.95	-	V
33 to 36	Output Drive Current N-Channel	I_{OL1}	-	4(g)	Gate Under Test: $V_{IN}(\text{All Inputs}) = 5Vdc$ $V_{OUT} = 0.4Vdc$ All Other Gates: $V_{IN} = 0Vdc$ $V_{DD} = 5Vdc$, $V_{SS} = 0Vdc$ Note 4 (Pins D/F 3-4-10-11) (Pins C 5-6-15-16)	0.51	-	mA
37 to 40	Output Drive Current N-Channel	I_{OL2}	-	4(g)	Gate Under Test: $V_{IN}(\text{All Inputs}) = 15Vdc$ $V_{OUT} = 1.5Vdc$ All Other Gates: $V_{IN} = 0Vdc$ $V_{DD} = 15Vdc$, $V_{SS} = 0Vdc$ Note 4 (Pins D/F 3-4-10-11) (Pins C 5-6-15-16)	3.4	-	mA
41 to 48	Output Drive Current P-Channel	I_{OH1}	-	4(h)	Gate Under Test: $V_{IN1} = 5Vdc$, $V_{IN2} = 0Vdc$ ($V_{IN1} = 0Vdc$, $V_{IN2} = 5Vdc$) $V_{OUT} = 4.6Vdc$ All Other Gates: $V_{IN} = 0Vdc$ $V_{DD} = 5Vdc$, $V_{SS} = 0Vdc$ (Pins D/F 3-4-10-11) (Pins C 5-6-15-16)	-0.51	-	mA
49 to 56	Output Drive Current P-Channel	I_{OH2}	-	4(h)	Gate Under Test: $V_{IN1} = 15Vdc$, $V_{IN2} = 0Vdc$ ($V_{IN1} = 0Vdc$, $V_{IN2} = 15Vdc$) $V_{OUT} = 13.5Vdc$ All Other Gates: $V_{IN} = 0Vdc$ $V_{DD} = 15Vdc$, $V_{SS} = 0Vdc$ Note 4 (Pins D/F 3-4-10-11) (Pins C 5-6-15-16)	-3.4	-	mA

NOTES: See Page 21.

**TABLE 2 - ELECTRICAL MEASUREMENTS AT ROOM TEMPERATURE - d.c. PARAMETERS (CONT'D)**

NO.	CHARACTERISTICS	SYMBOL	TEST METHOD MIL-STD 883	TEST FIG.	TEST CONDITIONS (PINS UNDER TEST D/F = DIP AND FP C = CCP)	LIMITS		UNIT
						MIN	MAX	
57 to 64	Positive Trigger Threshold Voltage	V_{TP1}	-	4(i)	Gate Under Test: $V_{IN1} = 5V_{dc}$, $V_{IN2} = V_{IN}$ ($V_{IN1} = V_{IN}$, $V_{IN2} = 5V_{dc}$) Remaining Gates: $V_{IN} = 0V_{dc}$ $V_{DD} = 5V_{dc}$, $V_{SS} = 0V_{dc}$ Note 5 (Pins D/F 1-2-5-6-8-9-12-13) (Pins C 2-4-7-9-12-14-17-19)	2.2	3.6	V
65 to 72	Positive Trigger Threshold Voltage	V_{TP2}	-	4(i)	Gate Under Test: $V_{IN1} = 15V_{dc}$, $V_{IN2} = V_{IN}$ ($V_{IN1} = V_{IN}$, $V_{IN2} = 15V_{dc}$) Remaining Gates: $V_{IN} = 0V_{dc}$ $V_{DD} = 15V_{dc}$, $V_{SS} = 0V_{dc}$ Note 5 (Pins D/F 1-2-5-6-8-9-12-13) (Pins C 2-4-7-9-12-14-17-19)	6.8	10.8	V
73 to 80	Negative Trigger Threshold Voltage	V_{TN1}	-	4(j)	Gate Under Test: $V_{IN1} = 5V_{dc}$, $V_{IN2} = V_{IN}$ ($V_{IN1} = V_{IN}$, $V_{IN2} = 5V_{dc}$) Remaining Gates: $V_{IN} = 0V_{dc}$ $V_{DD} = 5V_{dc}$, $V_{SS} = 0V_{dc}$ Note 5 (Pins D/F 1-2-5-6-8-9-12-13) (Pins C 2-4-7-9-12-14-17-19)	0.9	2.8	V
81 to 88	Negative Trigger Threshold Voltage	V_{TN2}	-	4(j)	Gate Under Test: $V_{IN1} = 15V_{dc}$, $V_{IN2} = V_{IN}$ ($V_{IN1} = V_{IN}$, $V_{IN2} = 15V_{dc}$) Remaining Gates: $V_{IN} = 0V_{dc}$ $V_{DD} = 15V_{dc}$, $V_{SS} = 0V_{dc}$ Note 5 (Pins D/F 1-2-5-6-8-9-12-13) (Pins C 2-4-7-9-12-14-17-19)	4.0	7.4	V

NOTES: See Page 21.



TABLE 2 - ELECTRICAL MEASUREMENTS AT ROOM TEMPERATURE - d.c. PARAMETERS (CONT'D)

NO.	CHARACTERISTICS	SYMBOL	TEST METHOD MIL-STD 883	TEST FIG.	TEST CONDITIONS (PINS UNDER TEST D/F = DIP AND FP C = CCP)	LIMITS		UNIT
						MIN	MAX	
89 to 96	Hysterisis Voltage	V_{H1}	-	4(k)	$V_{TP1} - V_{TN1}$ $V_{DD} = 5V_{dc}$, $V_{SS} = 0V_{dc}$ Note 5 (Pins D/F 1-2-5-6-8-9-12-13) (Pins C 2-4-7-9-12-14-17-19)	0.3	1.6	V
97 to 104	Hysterisis Voltage	V_{H2}	-	4(k)	$V_{TP2} - V_{TN2}$ $V_{DD} = 15V_{dc}$, $V_{SS} = 0V_{dc}$ Note 5 (Pins D/F 1-2-5-6-8-9-12-13) (Pins C 2-4-7-9-12-14-17-19)	1.6	5.0	V
105	Threshold Voltage N-Channel	V_{THN}	-	4(l)	A Input at Ground All Other Inputs: $V_{IN} = 5V_{dc}$ $V_{DD} = 5V_{dc}$, $I_{SS} = -10\mu A$ (Pin D/F 7) (Pin C 10)	-0.7	-3.0	V
106	Threshold Voltage P-Channel	V_{THP}	-	4(m)	A Input at Ground B Input connected to V_{DD} All Other Inputs: $V_{SS} = -5V_{dc}$, $I_{DD} = 10\mu A$ (Pin D/F 14) (Pin C 20)	0.7	3.0	V
107 to 114	Input Clamp Voltage (to V_{SS})	V_{IC1}	-	4(n)	I_{IN} (Under Test) = $-100\mu A$ $V_{DD} = \text{Open}$, $V_{SS} = 0V_{dc}$ All Other Pins Open (Pins D/F 1-2-5-6-8-9-12-13) (Pins C 2-4-7-9-12-14-17-19)	-	-2.0	V
115 to 122	Input Clamp Voltage (to V_{DD})	V_{IC2}	-	4(o)	V_{IN} (Under Test) = $6V_{dc}$ $V_{SS} = \text{Open}$, $R = 30k\Omega$; (Pins D/F 1-2-5-6-8-9-12-13) (Pins C 2-4-7-9-12-14-17-19)	3.0	-	V

NOTES: See Page 21.



TABLE 2 - ELECTRICAL MEASUREMENTS AT ROOM TEMPERATURE - a.c. PARAMETERS

NO.	CHARACTERISTICS	SYMBOL	TEST METHOD MIL-STD 883	TEST FIG.	TEST CONDITIONS (PINS UNDER TEST D/F = DIP AND FP C = CCP)	LIMITS		UNIT
						MIN	MAX	
123 to 130	Input Capacitance	C_{IN}	3012	4(p)	V_{IN} (Not Under Test) = 0Vdc $V_{DD} = V_{SS} = 0Vdc$ Note 6 (Pins D/F 1-2-5-6-8-9-12-13) (Pins C 2-4-7-9-12-14-17-19)	-	7.5	pF
131	Propagation Delay Low to High	t_{PLH}	3003	4(q)	V_{IN} (Under Test) = Pulse Generator V_{IN} (All Other Inputs) = 5Vdc $V_{DD} = 5Vdc, V_{SS} = 0Vdc$ Note 7 <u>Pins D/F</u> <u>Pins C</u> 2 to 3 4 to 5	-	550	ns
132	Propagation Delay High to Low	t_{PHL}	3003	4(q)	V_{IN} (Under Test) = Pulse Generator V_{IN} (All Other Inputs) = 5Vdc $V_{DD} = 5Vdc, V_{SS} = 0Vdc$ Note 7 <u>Pins D/F</u> <u>Pins C</u> 2 to 3 4 to 5	-	550	ns
133	Transition Time Low to High	t_{TLH}	3004	4(q)	V_{IN} (Under Test) = Pulse Generator V_{IN} (All Other Inputs) = 5Vdc $V_{DD} = 5Vdc, V_{SS} = 0Vdc$ Note 7 (Pin D/F 3) (Pin C 5)	-	150	ns
134	Transition Time High to Low	t_{THL}	3004	4(q)	V_{IN} (Under Test) = Pulse Generator V_{IN} (All Other Inputs) = 5Vdc $V_{DD} = 5Vdc, V_{SS} = 0Vdc$ Note 7 (Pin D/F 3) (Pin C 5)	-	150	ns

NOTES: See Page 21.

**TABLE 2 - ELECTRICAL MEASUREMENTS AT ROOM TEMPERATURE (CONT'D)****NOTES**

1. GO-NO-GO Test, each pattern of Test Table 4(a).
 $V_{OH} \geq V_{DD} - 0.5V_{dc}$ $V_{OL} \leq 0.5V_{dc}$
2. Maximum time to output comparator strobe 300 μ sec.
3. Test each pattern of Test Table 4(b).
4. Interchange of forcing and measuring function is permitted.
5. V_{TP} , V_{TN} and V_H shall be measured as follows:-
 - (i) Step (V_{IN}) input from V_{SS} to V_{DD} in 1V increments to V_{TP}' , where the output (V_O), changes from V_{DD} to V_{SS} . Return (V_{IN}) to V_{SS} .
 - (ii) Step (V_{IN}) input from V_{SS} to $V_{TP}' - 1V$ and increment (V_{IN}) in 50mV steps to V_{TP}' , which is the voltage on the (V_{IN}) input when the output (V_O) changes from V_{DD} to V_{SS} .
 - (iii) Step (V_{IN}) input from V_{DD} to V_{SS} in 1V decrements to V_{TN}' , where the output (V_O), changes from V_{SS} to V_{DD} . Return (V_{IN}) to (V_{DD}).
 - (iv) Step (V_{IN}) input from V_{DD} to $V_{TN}' + 1V$ and decrement (V_{IN}) in 50mV steps to V_{TN}' , which is the voltage on the (V_{IN}) input when the output (V_O) changes from V_{SS} to V_{DD} .
 - (v) V_H is defined as $V_{TP} - V_{TN}$; compare V_H against the specified limits.
6. Measurement performed on a sample basis, LTPD 7 or less, with a Capacitance Bridge connected between each input under test and V_{SS} , only for Lots where LAT Level 2 is to be performed. (For LTPD sampling plan, see Annexe I of ESA/SCC 9000).
7. Measurement performed on a sample basis, LTPD 7 or less, (see Annexe I of ESA/SCC 9000).



TABLE 3(a) - ELECTRICAL MEASUREMENTS AT HIGH TEMPERATURE, +125(+0-5) °C

NO.	CHARACTERISTICS	SYMBOL	TEST METHOD MIL-STD 883	TEST FIG.	TEST CONDITIONS (PINS UNDER TEST D/F = DIP AND FP C = CCP)	LIMITS		UNIT
						MIN	MAX	
1	Functional Test	-	-	4(a)	Verify Truth Table without Load. $V_{DD} = 3V_{dc}$, $V_{SS} = 0V_{dc}$ Notes 1 and 2	-	-	-
2	Functional Test	-	-	4(a)	Verify Truth Table without Load. $V_{DD} = 15V_{dc}$, $V_{SS} = 0V_{dc}$ Notes 1 and 2	-	-	-
3 to 4	Quiescent Current	I_{DD}	3005	4(b)	$V_{IL} = 0V_{dc}$, $V_{IH} = 15V_{dc}$ $V_{DD} = 15V_{dc}$, $V_{SS} = 0V_{dc}$ Note 3 (Pin D/F 14) (Pin C 20)	-	15	μA
5 to 12	Input Current Low Level	I_{IL}	3009	4(c)	V_{IN} (Under Test) = $0V_{dc}$ V_{IN} (Remaining Inputs) = $15V_{dc}$ $V_{DD} = 15V_{dc}$, $V_{SS} = 0V_{dc}$ (Pins D/F 1-2-5-6-8-9-12-13) (Pins C 2-4-7-9-12-14-17-19)	-	-100	nA
13 to 20	Input Current High Level	I_{IH}	3010	4(d)	V_{IN} (Under Test) = $15V_{dc}$ V_{IN} (Remaining Inputs) = $0V_{dc}$ $V_{DD} = 15V_{dc}$, $V_{SS} = 0V_{dc}$ (Pins D/F 1-2-5-6-8-9-12-13) (Pins C 2-4-7-9-12-14-17-19)	-	100	nA
21 to 24	Output Voltage Low Level	V_{OL}	3007	4(e)	Gate Under Test: $V_{IN} = 15V_{dc}$ $V_{OUT} = \text{Open}$ All Other Gates: $V_{IN} = 0V_{dc}$ $V_{DD} = 15V_{dc}$, $V_{SS} = 0V_{dc}$ (Pins D/F 3-4-10-11) (Pins C 5-6-15-16)	-	0.05	V

NOTES: See Page 21.



TABLE 3(a) - ELECTRICAL MEASUREMENTS AT HIGH TEMPERATURE, +125(+0-5) °C (CONT'D)

NO.	CHARACTERISTICS	SYMBOL	TEST METHOD MIL-STD 883	TEST FIG.	TEST CONDITIONS (PINS UNDER TEST D/F = DIP AND FP C = CCP)	LIMITS		UNIT
						MIN	MAX	
25 to 32	Output Voltage High Level	V_{OH}	3006	4(f)	Gate Under Test: $V_{IN1} = 15Vdc, V_{IN2} = 0Vdc$ ($V_{IN1} = 0Vdc, V_{IN2} = 15Vdc$) $V_{OUT} = \text{Open}$ All Other Gates: $V_{IN} = 0Vdc$ $V_{DD} = 15Vdc, V_{SS} = 0Vdc$ (Pins D/F 3-4-10-11) (Pins C 5-6-15-16)	14.95	-	V
33 to 36	Output Drive Current N-Channel	I_{OL1}	-	4(g)	Gate Under Test: $V_{IN}(\text{All Inputs}) = 5Vdc$ $V_{OUT} = 0.4Vdc$ All Other Gates: $V_{IN} = 0Vdc$ $V_{DD} = 5Vdc, V_{SS} = 0Vdc$ Note 4 (Pins D/F 3-4-10-11) (Pins C 5-6-15-16)	0.36	-	mA
37 to 40	Output Drive Current N-Channel	I_{OL2}	-	4(g)	Gate Under Test: $V_{IN}(\text{All Inputs}) = 15Vdc$ $V_{OUT} = 1.5Vdc$ All Other Gates: $V_{IN} = 0Vdc$ $V_{DD} = 15Vdc, V_{SS} = 0Vdc$ Note 4 (Pins D/F 3-4-10-11) (Pins C 5-6-15-16)	2.4	-	mA
41 to 48	Output Drive Current P-Channel	I_{OH1}	-	4(h)	Gate Under Test: $V_{IN1} = 5Vdc, V_{IN2} = 0Vdc$ ($V_{IN1} = 0Vdc, V_{IN2} = 5Vdc$) $V_{OUT} = 4.6Vdc$ All Other Gates: $V_{IN} = 0Vdc$ $V_{DD} = 5Vdc, V_{SS} = 0Vdc$ (Pins D/F 3-4-10-11) (Pins C 5-6-15-16)	-0.36	-	mA
49 to 56	Output Drive Current P-Channel	I_{OH2}	-	4(h)	Gate Under Test: $V_{IN1} = 15Vdc, V_{IN2} = 0Vdc$ ($V_{IN1} = 0Vdc, V_{IN2} = 15Vdc$) $V_{OUT} = 13.5Vdc$ All Other Gates: $V_{IN} = 0Vdc$ $V_{DD} = 15Vdc, V_{SS} = 0Vdc$ Note 4 (Pins D/F 3-4-10-11) (Pins C 5-6-15-16)	-2.4	-	mA

NOTES: See Page 21.



TABLE 3(a) - ELECTRICAL MEASUREMENTS AT HIGH TEMPERATURE, + 125(+0-5) °C (CONT'D)

NO.	CHARACTERISTICS	SYMBOL	TEST METHOD MIL-STD 883	TEST FIG.	TEST CONDITIONS (PINS UNDER TEST D/F = DIP AND FP C = CCP)	LIMITS		UNIT
						MIN	MAX	
57 to 64	Positive Trigger Threshold Voltage	V_{TP1}	-	4(i)	Gate Under Test: $V_{IN1} = 5Vdc, V_{IN2} = V_{IN}$ ($V_{IN1} = V_{IN}, V_{IN2} = 5Vdc$) Remaining Gates: $V_{IN} = 0Vdc$ $V_{DD} = 5Vdc, V_{SS} = 0Vdc$ Note 5 (Pins D/F 1-2-5-6-8-9-12-13) (Pins C 2-4-7-9-12-14-17-19)	2.2	3.6	V
65 to 72	Positive Trigger Threshold Voltage	V_{TP2}	-	4(i)	Gate Under Test: $V_{IN1} = 15Vdc, V_{IN2} = V_{IN}$ ($V_{IN1} = V_{IN}, V_{IN2} = 15Vdc$) Remaining Gates: $V_{IN} = 0Vdc$ $V_{DD} = 15Vdc, V_{SS} = 0Vdc$ Note 5 (Pins D/F 1-2-5-6-8-9-12-13) (Pins C 2-4-7-9-12-14-17-19)	6.8	10.8	V
73 to 80	Negative Trigger Threshold Voltage	V_{TN1}	-	4(j)	Gate Under Test: $V_{IN1} = 5Vdc, V_{IN2} = V_{IN}$ ($V_{IN1} = V_{IN}, V_{IN2} = 5Vdc$) Remaining Gates: $V_{IN} = 0Vdc$ $V_{DD} = 5Vdc, V_{SS} = 0Vdc$ Note 5 (Pins D/F 1-2-5-6-8-9-12-13) (Pins C 2-4-7-9-12-14-17-19)	0.9	2.8	V
81 to 88	Negative Trigger Threshold Voltage	V_{TN2}	-	4(j)	Gate Under Test: $V_{IN1} = 15Vdc, V_{IN2} = V_{IN}$ ($V_{IN1} = V_{IN}, V_{IN2} = 15Vdc$) Remaining Gates: $V_{IN} = 0Vdc$ $V_{DD} = 15Vdc, V_{SS} = 0Vdc$ Note 5 (Pins D/F 1-2-5-6-8-9-12-13) (Pins C 2-4-7-9-12-14-17-19)	4.0	7.4	V

NOTES: See Page 21.

**TABLE 3(a) - ELECTRICAL MEASUREMENTS AT HIGH TEMPERATURE, +125(+0-5) °C (CONT'D)**

NO.	CHARACTERISTICS	SYMBOL	TEST METHOD MIL-STD 883	TEST FIG.	TEST CONDITIONS (PINS UNDER TEST D/F = DIP AND FP C = CCP)	LIMITS		UNIT
						MIN	MAX	
89 to 96	Hysteresis Voltage	V_{H1}	-	4(k)	$V_{TP1} - V_{TN1}$ $V_{DD} = 5V_{dc}$, $V_{SS} = 0V_{dc}$ Note 5 (Pins D/F 1-2-5-6-8-9-12-13) (Pins C 2-4-7-9-12-14-17-19)	0.3	1.6	V
97 to 104	Hysteresis Voltage	V_{H2}	-	4(k)	$V_{TP2} - V_{TN2}$ $V_{DD} = 15V_{dc}$, $V_{SS} = 0V_{dc}$ Note 5 (Pins D/F 1-2-5-6-8-9-12-13) (Pins C 2-4-7-9-12-14-17-19)	1.6	5.0	V
105	Threshold Voltage N-Channel	V_{THN}	-	4(l)	A Input at Ground All Other Inputs: $V_{IN} = 5V_{dc}$ $V_{DD} = 5V_{dc}$, $I_{SS} = -10\mu A$ (Pin D/F 7) (Pin C 10)	-0.3	-3.5	V
106	Threshold Voltage P-Channel	V_{THP}	-	4(m)	A Input at Ground B Input connected to V_{DD} All Other Inputs: $V_{SS} = -5V_{dc}$, $I_{DD} = 10\mu A$ (Pin D/F 14) (Pin C 20)	0.3	3.5	V

NOTES: See Page 21.



TABLE 3(b) - ELECTRICAL MEASUREMENTS AT LOW TEMPERATURE, -55(+5-0) °C

NO.	CHARACTERISTICS	SYMBOL	TEST METHOD MIL-STD 883	TEST FIG.	TEST CONDITIONS (PINS UNDER TEST D/F = DIP AND FP C = CCP)	LIMITS		UNIT
						MIN	MAX	
1	Functional Test	-	-	4(a)	Verify Truth Table without Load. $V_{DD} = 3V_{dc}$, $V_{SS} = 0V_{dc}$ Notes 1 and 2	-	-	-
2	Functional Test	-	-	4(a)	Verify Truth Table without Load. $V_{DD} = 15V_{dc}$, $V_{SS} = 0V_{dc}$ Notes 1 and 2	-	-	-
3 to 4	Quiescent Current	I_{DD}	3005	4(b)	$V_{IL} = 0V_{dc}$, $V_{IH} = 15V_{dc}$ $V_{DD} = 15V_{dc}$, $V_{SS} = 0V_{dc}$ Note 3 (Pin D/F 14) (Pin C 20)	-	500	nA
5 to 12	Input Current Low Level	I_{IL}	3009	4(c)	V_{IN} (Under Test) = $0V_{dc}$ V_{IN} (Remaining Inputs) = $15V_{dc}$ $V_{DD} = 15V_{dc}$, $V_{SS} = 0V_{dc}$ (Pins D/F 1-2-5-6-8-9-12-13) (Pins C 2-4-7-9-12-14-17-19)	-	-50	nA
13 to 20	Input Current High Level	I_{IH}	3010	4(d)	V_{IN} (Under Test) = $15V_{dc}$ V_{IN} (Remaining Inputs) = $0V_{dc}$ $V_{DD} = 15V_{dc}$, $V_{SS} = 0V_{dc}$ (Pins D/F 1-2-5-6-8-9-12-13) (Pins C 2-4-7-9-12-14-17-19)	-	50	nA
21 to 24	Output Voltage Low Level	V_{OL}	3007	4(e)	Gate Under Test: $V_{IN} = 15V_{dc}$ $V_{OUT} = \text{Open}$ All Other Gates: $V_{IN} = 0V_{dc}$ $V_{DD} = 15V_{dc}$, $V_{SS} = 0V_{dc}$ (Pins D/F 3-4-10-11) (Pins C 5-6-15-16)	-	0.05	V

NOTES: See Page 21.



TABLE 3(b) - ELECTRICAL MEASUREMENTS AT LOW TEMPERATURE, -55(+ 5-0) °C (CONT'D)

NO.	CHARACTERISTICS	SYMBOL	TEST METHOD MIL-STD 883	TEST FIG.	TEST CONDITIONS (PINS UNDER TEST D/F = DIP AND FP C = CCP)	LIMITS		UNIT
						MIN	MAX	
25 to 32	Output Voltage High Level	V_{OH}	3006	4(f)	Gate Under Test: $V_{IN1} = 15Vdc, V_{IN2} = 0Vdc$ ($V_{IN1} = 0Vdc, V_{IN2} = 15Vdc$) $V_{OUT} = \text{Open}$ All Other Gates: $V_{IN} = 0Vdc$ $V_{DD} = 15Vdc, V_{SS} = 0Vdc$ (Pins D/F 3-4-10-11) (Pins C 5-6-15-16)	14.95	-	V
33 to 36	Output Drive Current N-Channel	I_{OL1}	-	4(g)	Gate Under Test: $V_{IN}(\text{All Inputs}) = 5Vdc$ $V_{OUT} = 0.4Vdc$ All Other Gates: $V_{IN} = 0Vdc$ $V_{DD} = 5Vdc, V_{SS} = 0Vdc$ Note 4 (Pins D/F 3-4-10-11) (Pins C 5-6-15-16)	0.64	-	mA
37 to 40	Output Drive Current N-Channel	I_{OL2}	-	4(g)	Gate Under Test: $V_{IN}(\text{All Inputs}) = 15Vdc$ Inputs: $V_{IN} = 15Vdc$ $V_{OUT} = 1.5Vdc$ All Other Gates: $V_{IN} = 0Vdc$ $V_{DD} = 15Vdc, V_{SS} = 0Vdc$ Note 4 (Pins D/F 3-4-10-11) (Pins C 5-6-15-16)	4.2	-	mA
41 to 48	Output Drive Current P-Channel	I_{OH1}	-	4(h)	Gate Under Test: $V_{IN1} = 5Vdc, V_{IN2} = 0Vdc$ ($V_{IN1} = 0Vdc, V_{IN2} = 5Vdc$) $V_{OUT} = 4.6Vdc$ All Other Gates: $V_{IN} = 0Vdc$ $V_{DD} = 5Vdc, V_{SS} = 0Vdc$ (Pins D/F 3-4-10-11) (Pins C 5-6-15-16)	-0.64	-	mA
49 to 56	Output Drive Current P-Channel	I_{OH2}	-	4(h)	Gate Under Test: $V_{IN1} = 15Vdc, V_{IN2} = 0Vdc$ ($V_{IN1} = 0Vdc, V_{IN2} = 15Vdc$) $V_{OUT} = 13.5Vdc$ All Other Gates: $V_{IN} = 0Vdc$ $V_{DD} = 15Vdc, V_{SS} = 0Vdc$ Note 4 (Pins D/F 3-4-10-11) (Pins C 5-6-15-16)	-4.2	-	mA

NOTES: See Page 21.

**TABLE 3(b) - ELECTRICAL MEASUREMENTS AT LOW TEMPERATURE, -55(+5-0) °C (CONT'D)**

NO.	CHARACTERISTICS	SYMBOL	TEST METHOD MIL-STD 883	TEST FIG.	TEST CONDITIONS (PINS UNDER TEST D/F = DIP AND FP C = CCP)	LIMITS		UNIT
						MIN	MAX	
57 to 64	Positive Trigger Threshold Voltage	V_{TP1}	-	4(i)	Gate Under Test: $V_{IN1} = 5V_{dc}$, $V_{IN2} = V_{IN}$ ($V_{IN1} = V_{IN}$, $V_{IN2} = 5V_{dc}$) Remaining Gates: $V_{IN} = 0V_{dc}$ $V_{DD} = 5V_{dc}$, $V_{SS} = 0V_{dc}$ Note 5 (Pins D/F 1-2-5-6-8-9-12-13) (Pins C 2-4-7-9-12-14-17-19)	2.2	3.6	V
65 to 72	Positive Trigger Threshold Voltage	V_{TP2}	-	4(i)	Gate Under Test: $V_{IN1} = 15V_{dc}$, $V_{IN2} = V_{IN}$ ($V_{IN1} = V_{IN}$, $V_{IN2} = 15V_{dc}$) Remaining Gates: $V_{IN} = 0V_{dc}$ $V_{DD} = 15V_{dc}$, $V_{SS} = 0V_{dc}$ Note 5 (Pins D/F 1-2-5-6-8-9-12-13) (Pins C 2-4-7-9-12-14-17-19)	6.8	10.8	V
73 to 80	Negative Trigger Threshold Voltage	V_{TN1}	-	4(j)	Gate Under Test: $V_{IN1} = 5V_{dc}$, $V_{IN2} = V_{IN}$ ($V_{IN1} = V_{IN}$, $V_{IN2} = 5V_{dc}$) Remaining Gates: $V_{IN} = 0V_{dc}$ $V_{DD} = 5V_{dc}$, $V_{SS} = 0V_{dc}$ Note 5 (Pins D/F 1-2-5-6-8-9-12-13) (Pins C 2-4-7-9-12-14-17-19)	0.9	2.8	V
81 to 88	Negative Trigger Threshold Voltage	V_{TN2}	-	4(j)	Gate Under Test: $V_{IN1} = 15V_{dc}$, $V_{IN2} = V_{IN}$ ($V_{IN1} = V_{IN}$, $V_{IN2} = 15V_{dc}$) Remaining Gates: $V_{IN} = 0V_{dc}$ $V_{DD} = 15V_{dc}$, $V_{SS} = 0V_{dc}$ Note 5 (Pins D/F 1-2-5-6-8-9-12-13) (Pins C 2-4-7-9-12-14-17-19)	4.0	7.4	V

NOTES: See Page 21.

**TABLE 3(b) - ELECTRICAL MEASUREMENTS AT LOW TEMPERATURE, -55(+ 5-0) °C (CONT'D)**

NO.	CHARACTERISTICS	SYMBOL	TEST METHOD MIL-STD 883	TEST FIG.	TEST CONDITIONS (PINS UNDER TEST D/F = DIP AND FP C = CCP)	LIMITS		UNIT
						MIN	MAX	
89 to 96	Hysteresis Voltage	V_{H1}	-	4(k)	$V_{TP1} - V_{TN1}$ $V_{DD} = 5V_{dc}$, $V_{SS} = 0V_{dc}$ Note 5 (Pins D/F 1-2-5-6-8-9-12-13) (Pins C 2-4-7-9-12-14-17-19)	0.3	1.6	V
97 to 104	Hysteresis Voltage	V_{H2}	-	4(k)	$V_{TP2} - V_{TN2}$ $V_{DD} = 15V_{dc}$, $V_{SS} = 0V_{dc}$ Note 5 (Pins D/F 1-2-5-6-8-9-12-13) (Pins C 2-4-7-9-12-14-17-19)	1.6	5.0	V
105	Threshold Voltage N-Channel	V_{THN}	-	4(l)	A Input at Ground All Other Inputs: $V_{IN} = 5V_{dc}$ $V_{DD} = 5V_{dc}$, $I_{SS} = -10\mu A$ (Pin D/F 7) (Pin C 10)	-0.7	-3.5	V
106	Threshold Voltage P-Channel	V_{THP}	-	4(m)	A Input at Ground B Input connected to V_{DD} All Other Inputs: $V_{SS} = -5V_{dc}$, $I_{DD} = 10\mu A$ (Pin D/F 14) (Pin C 20)	0.7	3.5	V

NOTES: See Page 21.



FIGURE 4 - CIRCUITS FOR ELECTRICAL MEASUREMENTS

FIGURE 4(a) - FUNCTIONAL TEST TABLE

PATTERN NO.	PIN NUMBERS											D.C. SUPPLY		
	INPUTS								OUTPUTS				7	14
	1	2	5	6	8	9	12	13	3	4	10	11		
1	1	1	0	↑	↑	0	0	0	0	1	1	1	V _{SS}	V _{DD}
2	↓	1	↑	1	1	↑	↑	0	1	0	0	1	↓	↓
3	0	↓	1	1	1	1	1	↑	1	0	0	0	↓	↓
4	0	0	↓	1	↓	1	1	1	1	1	1	0	↓	↓
5	↑	↑	0	↓	0	↓	↓	1	0	1	1	1	↓	↓
6	1	↓	0	0	0	0	0	↓	1	1	1	1	↓	↓
7	↓	0	↑	↑	↑	↑	↑	0	1	0	0	1	↓	↓
8	↑	0	1	↓	1	↓	1	↑	1	1	1	0	↓	↓
9	1	↑	↓	0	↓	0	1	↓	0	1	1	1	↓	↓

NOTES

- Figure 4(a) illustrates one series of test patterns. Any other pattern series must be agreed with the Qualifying Space Agency and shall be included as an Appendix.
- Logic Level Definitions: 1 = V_{IH} = V_{DD}, 0 = V_{IL} = V_{SS}.
 ↑ = Positive going transition, Ground to ≤ V_{DD}.
 ↓ = Negative going transition, ≥ V_{DD} to Ground.

FIGURE 4(b) - QUIESCENT CURRENT TEST TABLE

PATTERN NO.	PIN NUMBERS											D.C. SUPPLY		
	INPUTS								OUTPUTS				7	14
	1	2	5	6	8	9	12	13	3	4	10	11		
1	1	1	1	1	1	1	1	1	Open Circuit				V _{SS}	V _{DD}
2	0	0	0	0	0	0	0	0	Open Circuit				↓	↓

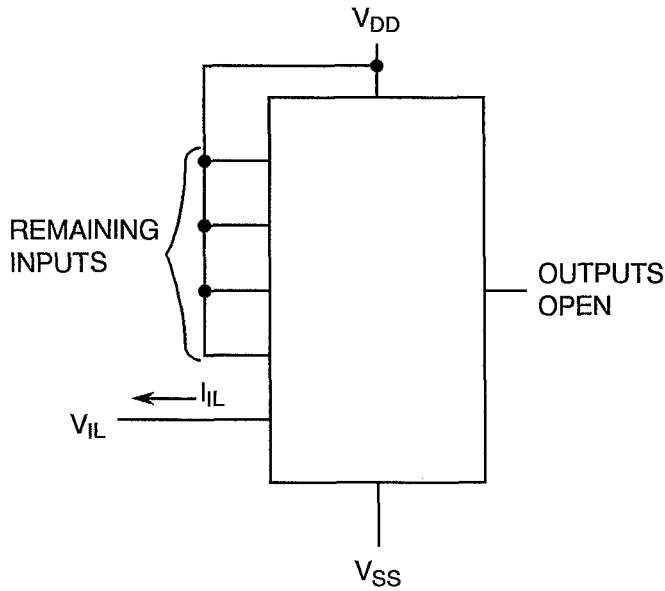
NOTES

- Figure 4(b) illustrates one series of test patterns. Any other pattern series must be agreed with the Qualifying Space Agency and shall be included as an Appendix.
- Logic Level Definitions: 1 = V_{IH} = V_{DD}, 0 = V_{IL} = V_{SS}.



FIGURE 4 - CIRCUITS FOR ELECTRICAL MEASUREMENTS (CONTINUED)

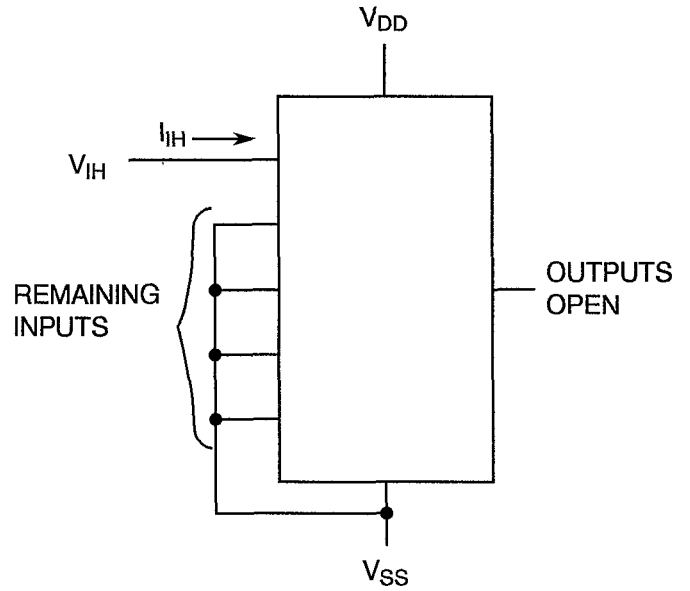
FIGURE 4(c) - LOW LEVEL INPUT CURRENT



NOTES

1. Each input to be tested separately.

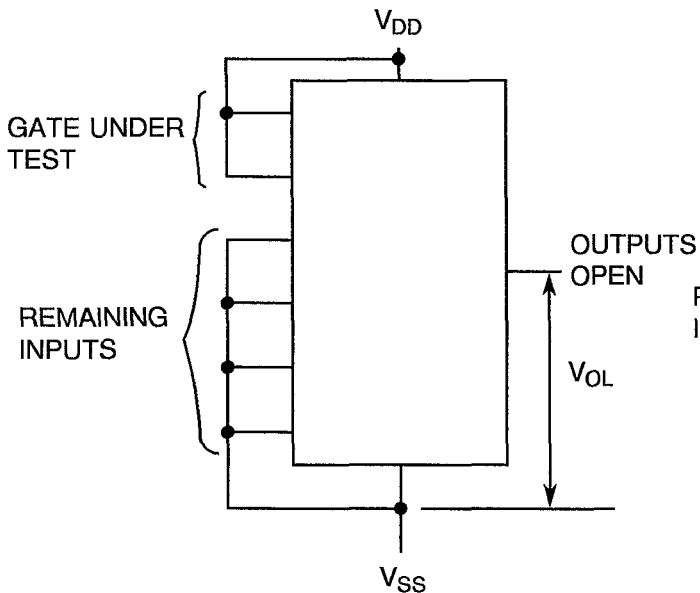
FIGURE 4(d) - HIGH LEVEL INPUT CURRENT



NOTES

1. Each input to be tested separately.

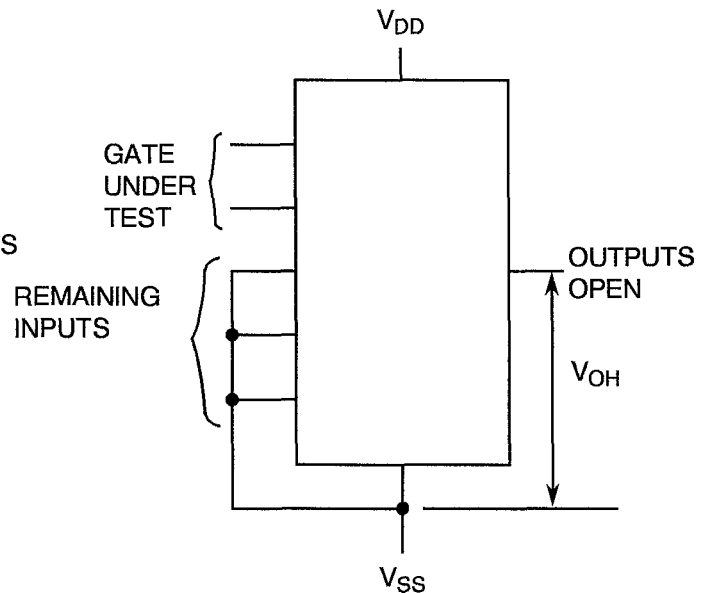
FIGURE 4(e) - LOW LEVEL OUTPUT VOLTAGE



NOTES

1. Each output to be tested separately.

FIGURE 4(f) - HIGH LEVEL OUTPUT VOLTAGE

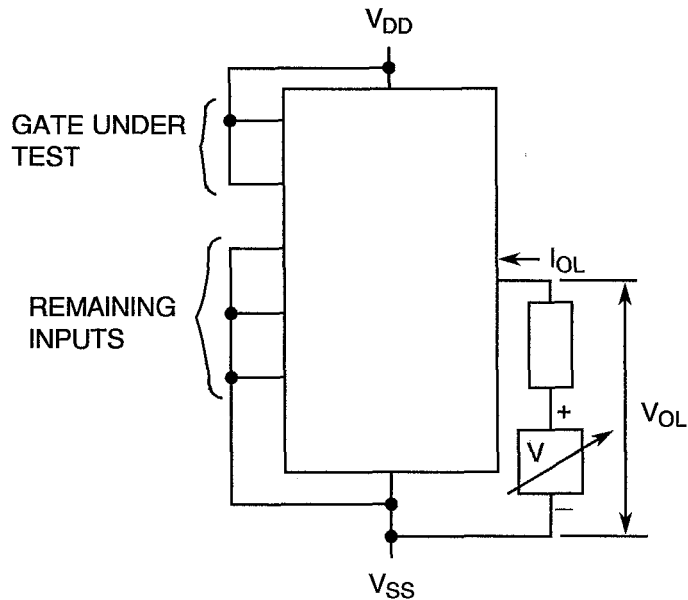


NOTES

1. Each output to be tested separately.
2. Each gate is to be measured with the following input conditions:-
 - (i) $V_{IN1} = V_{DD}, V_{IN2} = V_{SS}$.
 - (ii) $V_{IN1} = V_{SS}, V_{IN2} = V_{DD}$.

FIGURE 4 - CIRCUITS FOR ELECTRICAL MEASUREMENTS (CONTINUED)

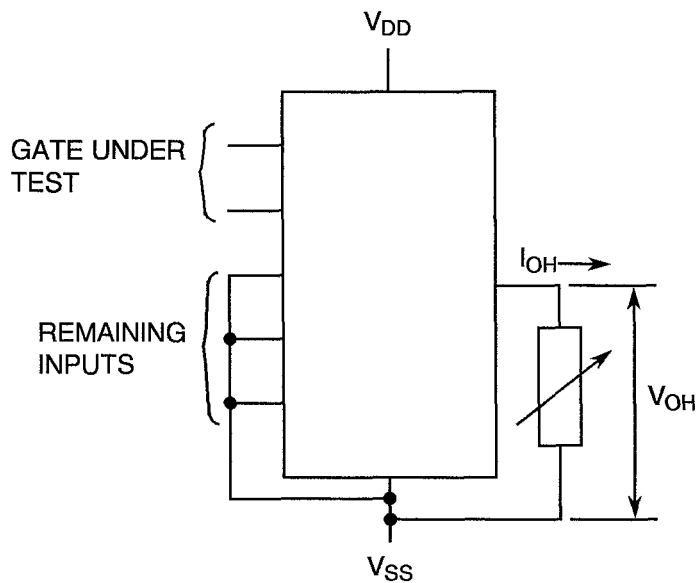
FIGURE 4(g) - LOW LEVEL OUTPUT CURRENT



NOTES

1. Each output to be tested separately.

FIGURE 4(h) - HIGH LEVEL OUTPUT CURRENT



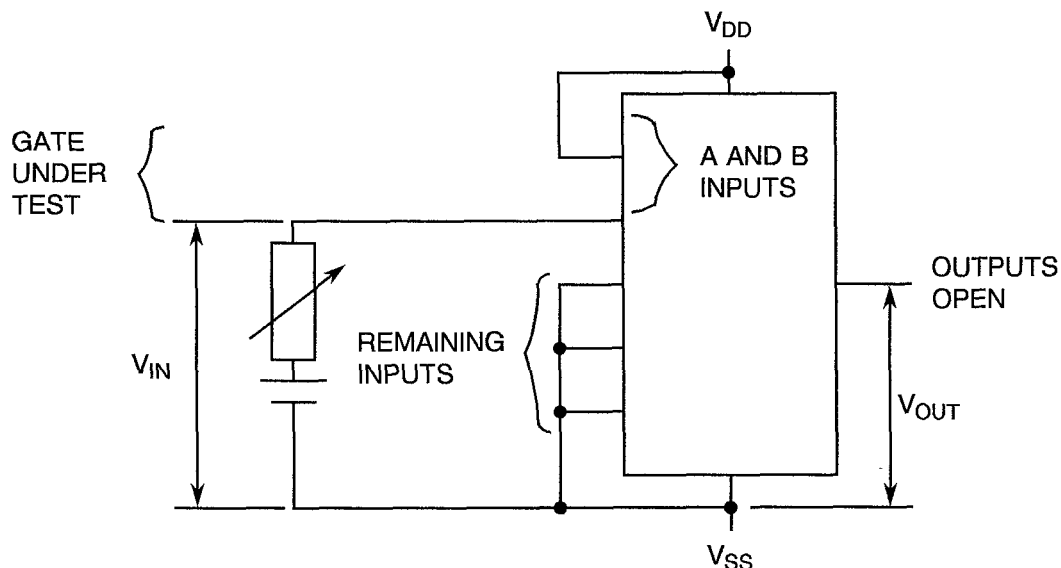
NOTES

1. Each output to be tested separately.
2. Each gate is to be measured with the following input conditions:-
 - (i) $V_{IN1} = V_{DD}$, $V_{IN2} = V_{SS}$.
 - (ii) $V_{IN1} = V_{SS}$, $V_{IN2} = V_{DD}$.



FIGURE 4 - CIRCUITS FOR ELECTRICAL MEASUREMENTS (CONTINUED)

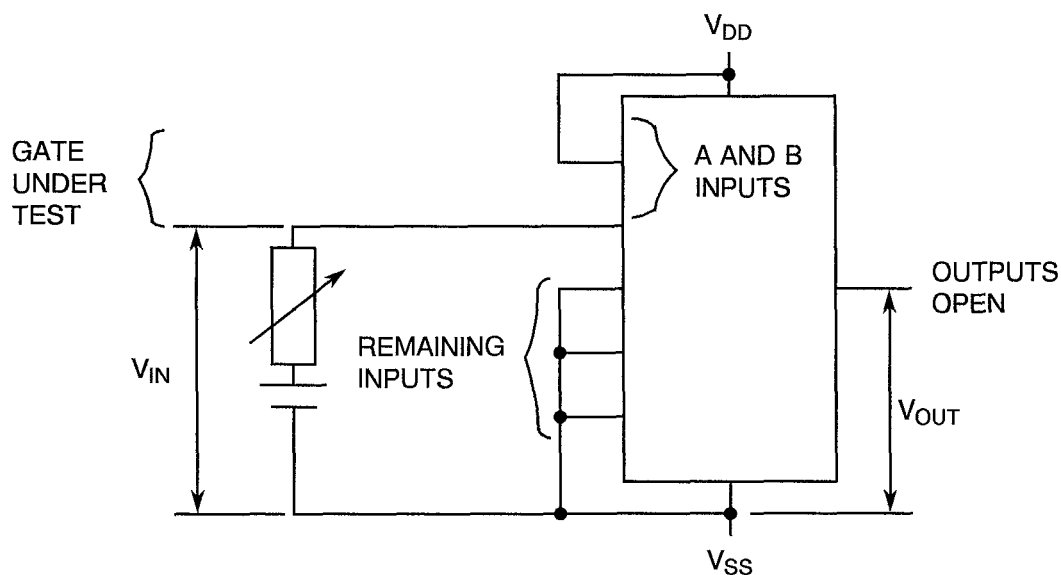
FIGURE 4(i) - POSITIVE TRIGGER THRESHOLD VOLTAGE



NOTES

1. Each pair of inputs to be tested separately with both the following input conditions:-
 - (i) $A = V_{DD}$, $B = V_{IN}$.
 - (ii) $A = V_{IN}$, $B = V_{DD}$.

FIGURE 4(j) - NEGATIVE TRIGGER THRESHOLD VOLTAGE



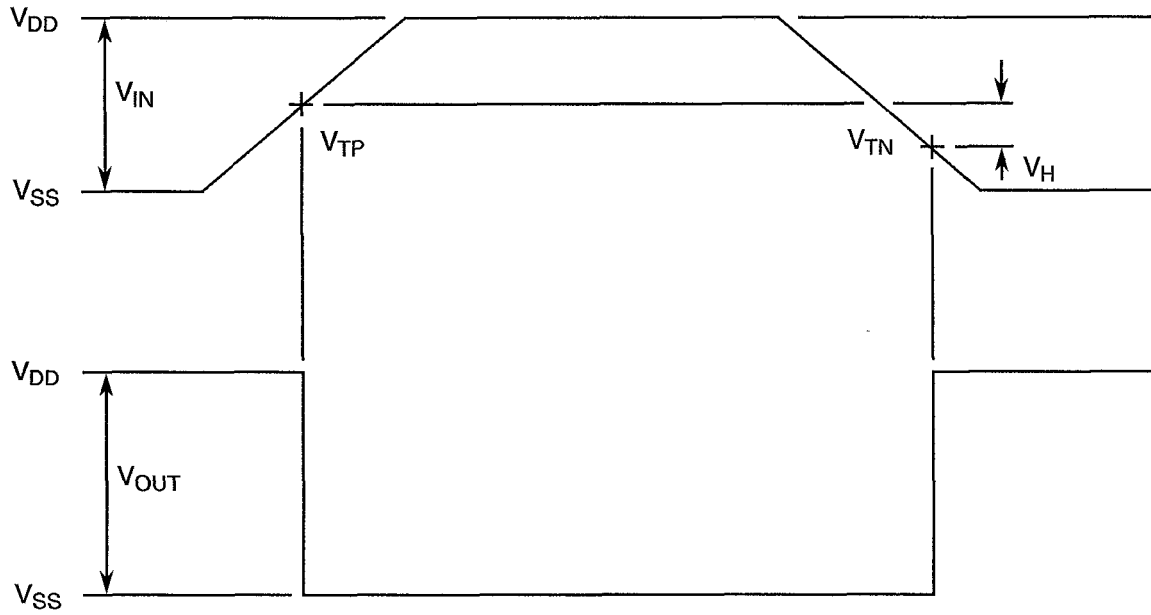
NOTES

1. Each pair of inputs to be tested separately with both the following input conditions:-
 - (i) $A = V_{DD}$, $B = V_{IN}$.
 - (ii) $A = V_{IN}$, $B = V_{DD}$.



FIGURE 4 - CIRCUITS FOR ELECTRICAL MEASUREMENTS (CONTINUED)

FIGURE 4(k) - HYSTERISIS VOLTAGE



NOTES

1. $V_H = V_{TP} - V_{TN}$.



FIGURE 4 - CIRCUITS FOR ELECTRICAL MEASUREMENTS (CONTINUED)

FIGURE 4(l) - THRESHOLD VOLTAGE N-CHANNEL

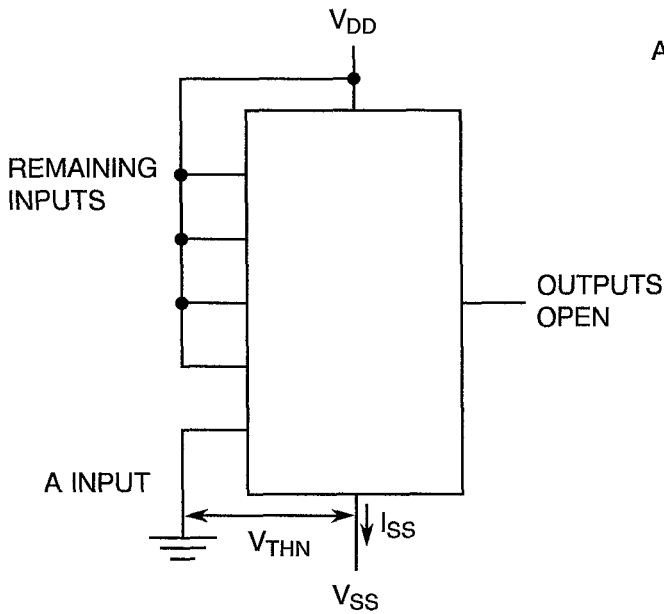


FIGURE 4(m) - THRESHOLD VOLTAGE P-CHANNEL

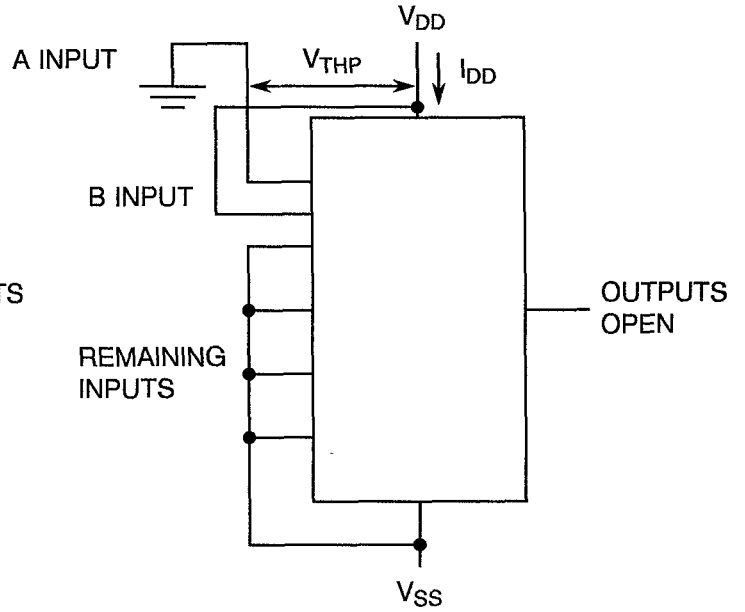
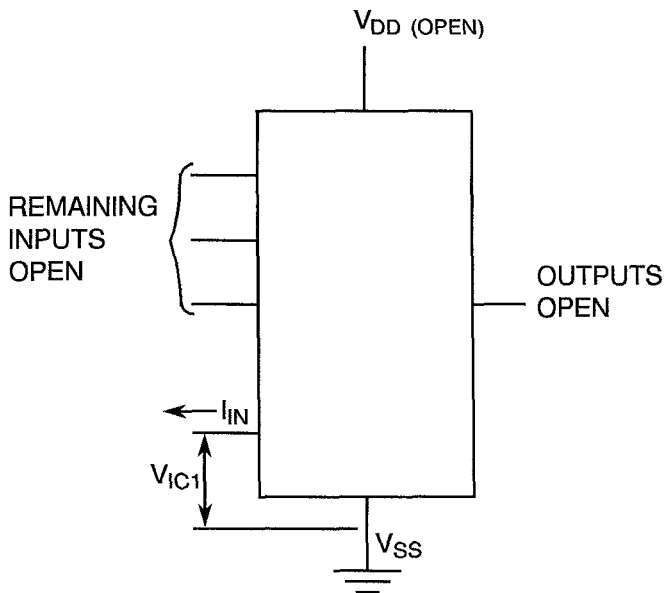


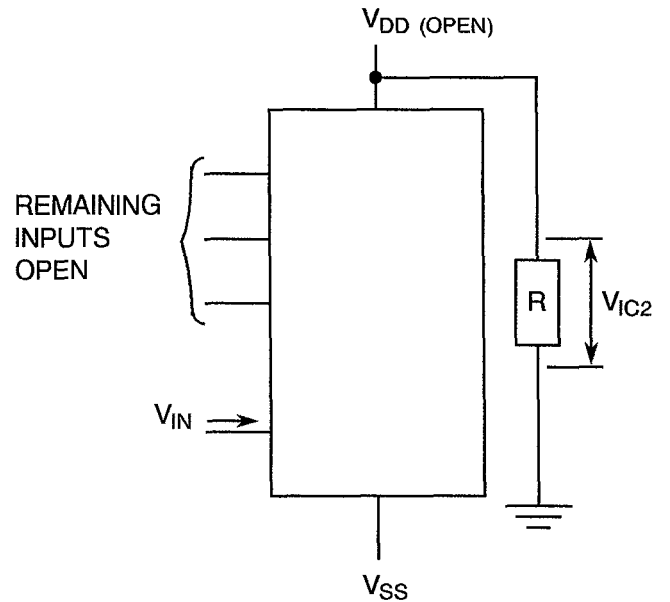
FIGURE 4(n) - INPUT CLAMP VOLTAGE (VSS)



NOTES

1. Each input to be tested separately.

FIGURE 4(o) - INPUT CLAMP VOLTAGE (VDD)



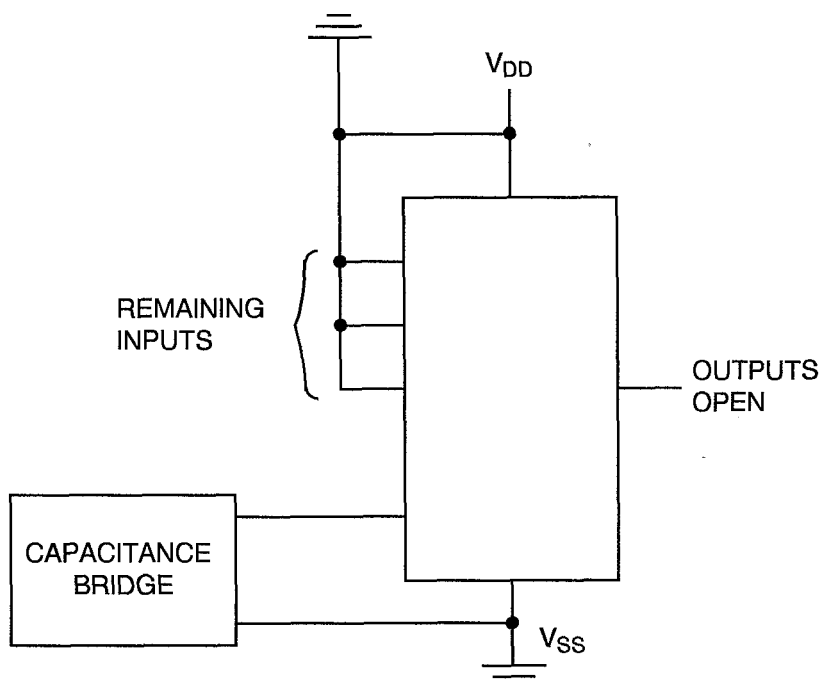
NOTES

1. Each input to be tested separately.



FIGURE 4 - CIRCUITS FOR ELECTRICAL MEASUREMENTS (CONTINUED)

FIGURE 4(p) - INPUT CAPACITANCE



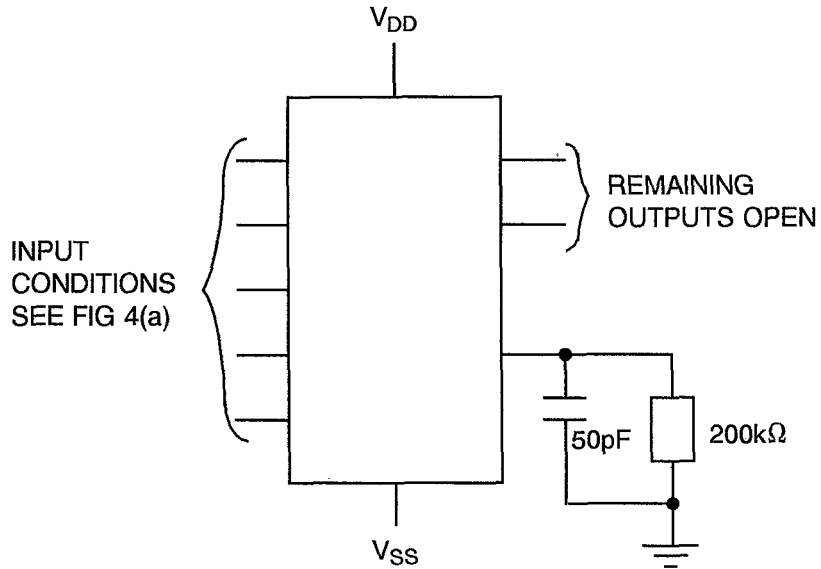
NOTES

1. Each input to be tested separately.
2. $f = 500\text{kHz}$ to 1MHz .

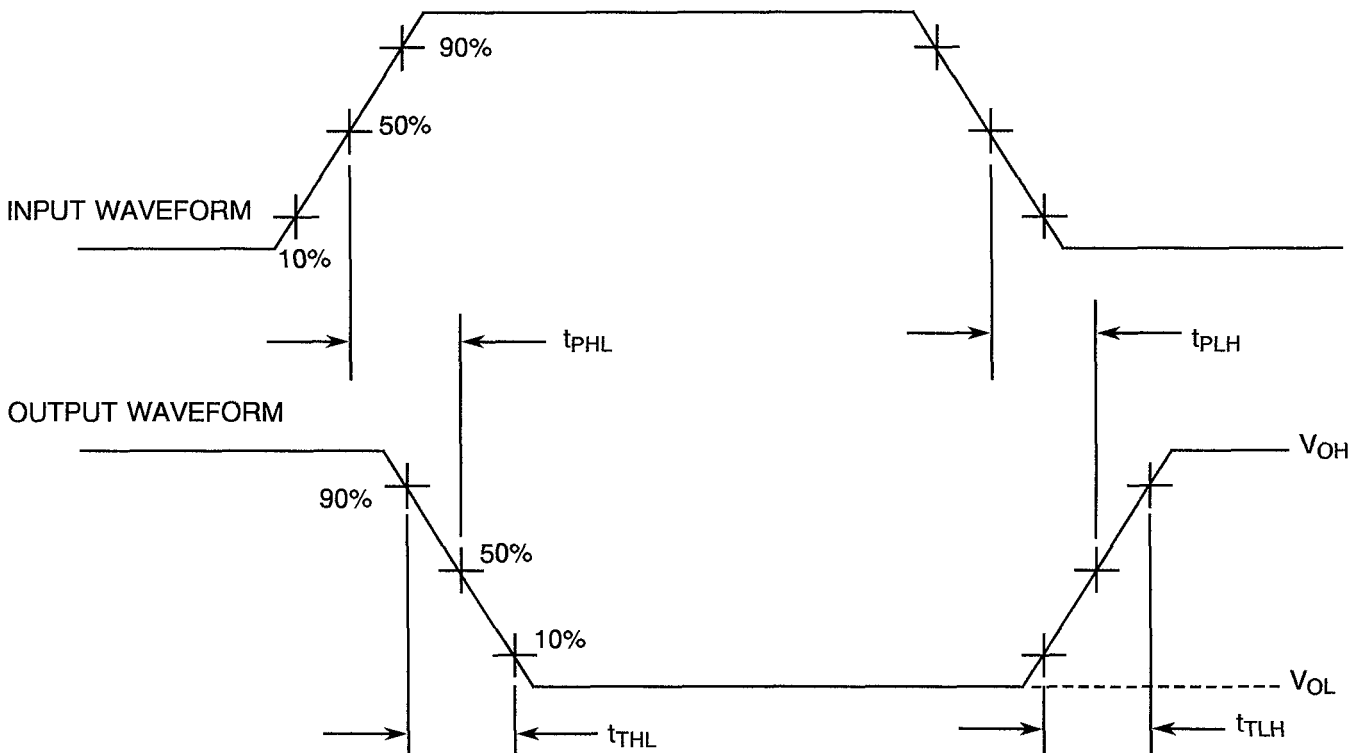


FIGURE 4 - CIRCUITS FOR ELECTRICAL MEASUREMENTS (CONTINUED)

FIGURE 4(q) - PROPAGATION DELAY AND TRANSITION TIME



VOLTAGE WAVEFORMS



NOTES

1. Pulse Generator - $V_P = 0$ to V_{DD} , t_r and $t_f \leq 15ns$, $f = 500kHz$.

**TABLE 4 - PARAMETER DRIFT VALUES**

NO.	CHARACTERISTICS	SYMBOL	SPEC. AND/OR TEST METHOD	TEST CONDITIONS	CHANGE LIMITS (Δ)	UNIT
3 to 4	Quiescent Current	I_{DD}	As per Table 2	As per Table 2	± 75	nA
33 to 36	Output Drive Current N-Channel	I_{OL1}	As per Table 2	As per Table 2	± 15 (1)	%
41 to 48	Output Drive Current P-Channel	I_{OH1}	As per Table 2	As per Table 2	± 15 (1)	%
105	Threshold Voltage N-Channel	V_{THN}	As per Table 2	As per Table 2	± 0.3	V
106	Threshold Voltage P-Channel	V_{THP}	As per Table 2	As per Table 2	± 0.3	V

NOTES

1. Percentage of limit value if voltage is the measurement function.

**TABLE 5(a) - CONDITIONS FOR BURN-IN HIGH TEMPERATURE REVERSE BIAS, N-CHANNELS**

NO.	CHARACTERISTICS	SYMBOL	CONDITION	UNIT
1	Ambient Temperature	T_{amb}	+ 125(+ 0-5)	°C
2	Outputs - (Pins D/F 3-4-10-11) (Pins C 5-6-15-16)	V_{OUT}	Open	-
3	Inputs - (Pins D/F 1-2-5-6-8-9-12-13) (Pins C 2-4-7-9-12-14-17-19)	V_{IN}	Ground	Vdc
4	Positive Supply Voltage (Pin D/F 14) (Pin C 20)	V_{DD}	15	Vdc
5	Negative Supply Voltage (Pin D/F 7) (Pin C 10)	V_{SS}	Ground	Vdc

NOTES

1. Input Load = Protection Resistor = 2k Ω minimum to 47k Ω maximum.

TABLE 5(b) - CONDITIONS FOR BURN-IN HIGH TEMPERATURE REVERSE BIAS, P-CHANNELS

NO.	CHARACTERISTICS	SYMBOL	CONDITION	UNIT
1	Ambient Temperature	T_{amb}	+ 125(+ 0-5)	°C
2	Outputs - (Pins D/F 3-4-10-11) (Pins C 5-6-15-16)	V_{OUT}	Open	-
3	Inputs - (Pins D/F 1-2-5-6-8-9-12-13) (Pins C 2-4-7-9-12-14-17-19)	V_{IN}	V_{DD}	Vdc
4	Positive Supply Voltage (Pin D/F 14) (Pin C 20)	V_{DD}	15	Vdc
5	Negative Supply Voltage (Pin D/F 7) (Pin C 10)	V_{SS}	Ground	Vdc

NOTES

1. Input Load = Protection Resistor = 2k Ω minimum to 47k Ω maximum.

**TABLE 5(c) - CONDITIONS FOR BURN-IN DYNAMIC**

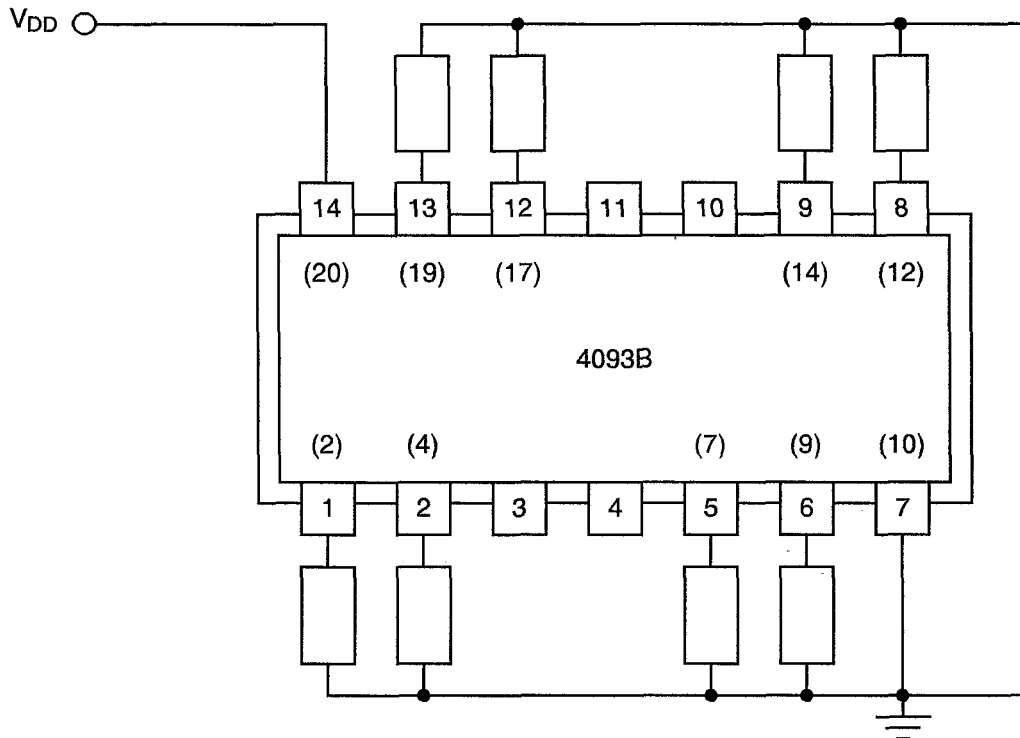
NO.	CHARACTERISTICS	SYMBOL	CONDITIONS	UNIT
1	Ambient Temperature	T_{amb}	+ 125(+ 0-5)	°C
2	Outputs - (Pins D/F 3-4-10-11) (Pins C 5-6-15-16)	V_{OUT}	$V_{DD}/2$	Vdc
3	Inputs - (Pins D/F 1-5-8-12) (Pins C 2-7-12-17)	V_{IN}	V_{DD}	Vdc
4	Inputs - (Pins D/F 2-6-9-13) (Pins C 4-9-14-19)	V_{IN}	V_{GEN}	Vac
5	Pulse Voltage	V_{GEN}	0V to V_{DD}	Vac
6	Pulse Frequency Square Wave	f	$50k \leq f < 1M$ 50% Duty Cycle	Hz
7	Positive Supply Voltage (Pin D/F 14) (Pin C 20)	V_{DD}	15	Vdc
8	Negative Supply Voltage (Pin D/F 7) (Pin C 10)	V_{SS}	Ground	Vdc

NOTES

1. Input Load = Output Load = 2k Ω minimum to 47k Ω maximum.



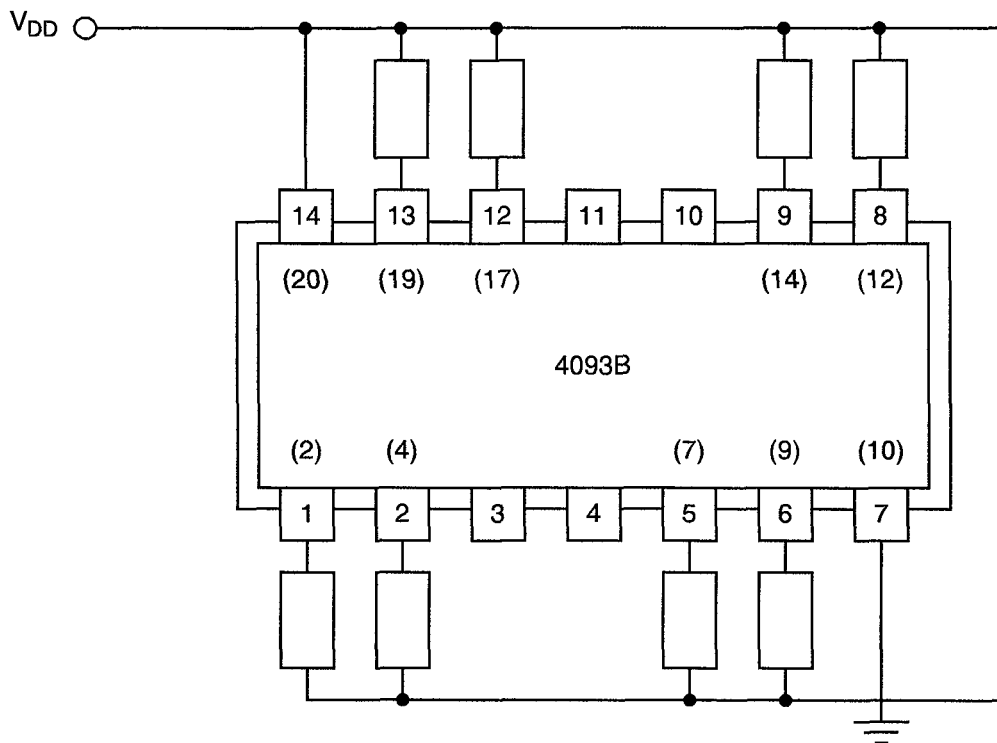
FIGURE 5(a) - ELECTRICAL CIRCUIT FOR BURN-IN HIGH TEMPERATURE REVERSE BIAS, N-CHANNELS



NOTES

- 1. Pin numbers in parenthesis are for the chip carrier package.

FIGURE 5(b) - ELECTRICAL CIRCUIT FOR BURN-IN HIGH TEMPERATURE REVERSE BIAS, P-CHANNELS

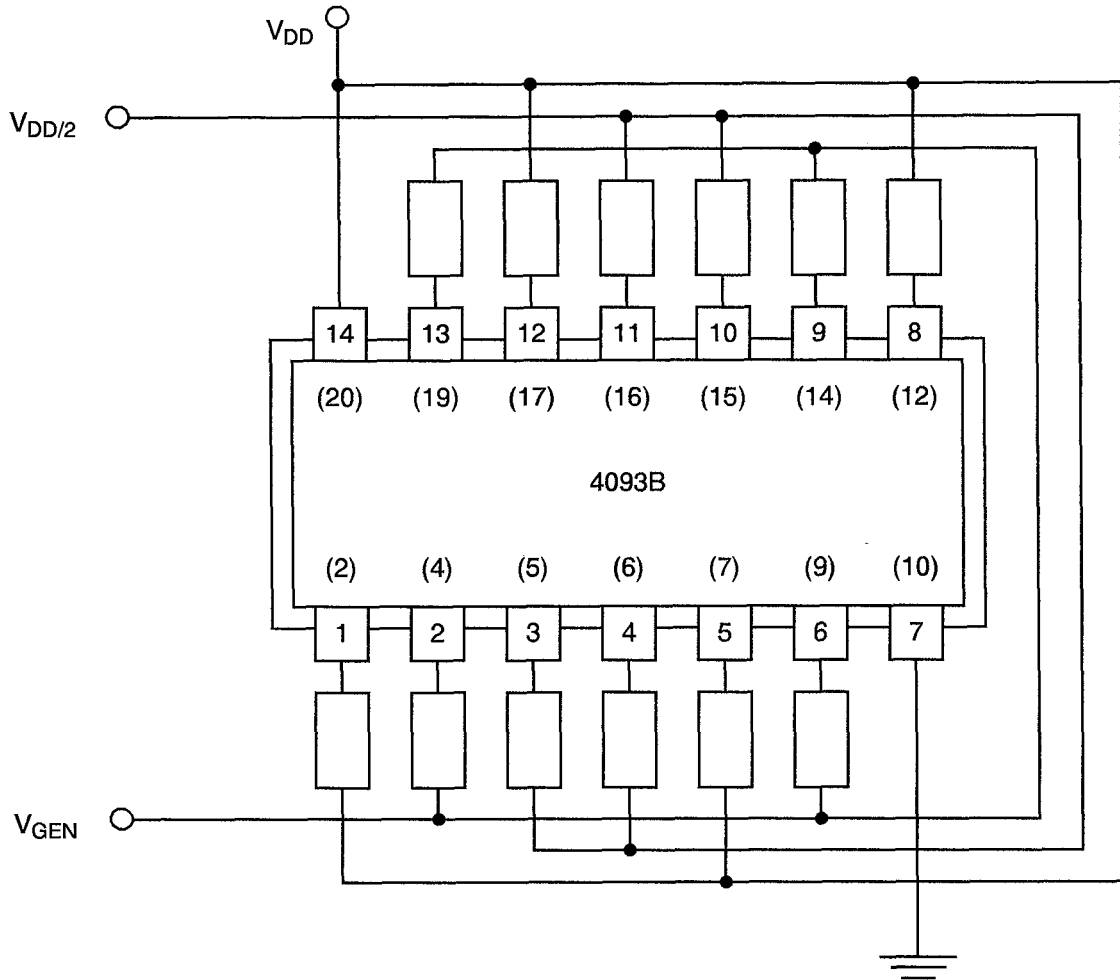


NOTES

- 1. Pin numbers in parenthesis are for the chip carrier package.





FIGURE 5(c) - ELECTRICAL CIRCUIT FOR BURN-IN DYNAMIC



NOTES

1. Pin numbers in parenthesis are for the chip carrier package.

		<p style="text-align: center;">ESA/SCC Detail Specification No. 9409/002</p>	<p style="text-align: center;">Rev. 'C'</p>	<p>PAGE 43 ISSUE 2</p>
--	--	--	---	----------------------------

4.8 ENVIRONMENTAL AND ENDURANCE TESTS (CHARTS IV AND V OF ESA/SCC GENERIC SPECIFICATION NO. 9000)

4.8.1 Electrical Measurements on Completion of Environmental Tests

The parameters to be measured on completion of environmental tests are scheduled in Table 6. Unless otherwise stated, the measurements shall be performed at $T_{amb} = +22 \pm 3 \text{ }^\circ\text{C}$.

4.8.2 Electrical Measurements at Intermediate Points during Endurance Tests

The parameters to be measured at intermediate points during endurance tests are as scheduled in Table 6 of this specification.

4.8.3 Electrical Measurements on Completion of Endurance Tests

The parameters to be measured on completion of endurance testing are as scheduled in Table 6 of this specification. Unless otherwise stated, the measurements shall be performed at $T_{amb} = +22 \pm 3 \text{ }^\circ\text{C}$.

4.8.4 Conditions for Operating Life Test

The requirements for operating life testing are specified in Section 9 of ESA/SCC Generic Specification No. 9000. The conditions for operating life testing shall be as specified in Table 5(c) of this specification.

4.8.5 Electrical Circuits for Operating Life Tests

Circuits for use in performing the operating life tests are shown in Figure 5(c) of this specification.

4.8.6 Conditions for High Temperature Storage Test

The requirements for the high temperature storage test are specified in ESA/SCC Generic Specification No. 9000. The temperature to be applied shall be the maximum storage temperature specified in Table 1(b) of this specification.

**TABLE 6 - ELECTRICAL MEASUREMENTS ON COMPLETION OF ENVIRONMENTAL TESTS AND AT INTERMEDIATE POINTS AND ON COMPLETION OF ENDURANCE TESTING**



NO.	CHARACTERISTICS	SYMBOL	SPEC. AND/OR TEST METHOD	TEST CONDITIONS	CHANGE LIMITS (Δ)			UNIT
						MIN	MAX	
1	Functional Test	-	As per Table 2	As per Table 2	-	-	-	-
3 to 4	Quiescent Current	I_{DD}	As per Table 2	As per Table 2	± 50	-	-	nA
5 to 12	Input Current Low Level	I_{IL}	As per Table 2	As per Table 2	-	-	-50	nA
13 to 20	Input Current High Level	I_{IH}	As per Table 2	As per Table 2	-	-	50	nA
21 to 24	Output Voltage Low Level	V_{OL}	As per Table 2	As per Table 2	-	-	0.05	V
25 to 32	Output Voltage High Level	V_{OH}	As per Table 2	As per Table 2	-	14.95	-	V
33 to 36	Output Drive Current N-Channel	I_{OL1}	As per Table 2	As per Table 2	± 15 (1)	-	-	%
37 to 40	Output Drive Current N-Channel	I_{OL2}	As per Table 2	As per Table 2	± 15 (1)	-	-	%
41 to 48	Output Drive Current P-Channel	I_{OH1}	As per Table 2	As per Table 2	± 15 (1)	-	-	%
49 to 56	Output Drive Current P-Channel	I_{OH2}	As per Table 2	As per Table 2	± 15 (1)	-	-	%
57 to 64	Positive Trigger Threshold Voltage	V_{TP1}	As per Table 2	As per Table 2	-	2.2	3.6	V
65 to 72	Positive Trigger Threshold Voltage	V_{TP2}	As per Table 2	As per Table 2	-	6.8	10.8	V
73 to 80	Negative Trigger Threshold Voltage	V_{TN1}	As per Table 2	As per Table 2	-	0.9	2.8	V

NOTES

1. Percentage of limit value if voltage is the measurement function.

**TABLE 6 - ELECTRICAL MEASUREMENTS ON COMPLETION OF ENVIRONMENTAL TESTS AND AT INTERMEDIATE POINTS AND ON COMPLETION OF ENDURANCE TESTING**

NO.	CHARACTERISTICS	SYMBOL	SPEC. AND/OR TEST METHOD	TEST CONDITIONS	CHANGE LIMITS (Δ)			UNIT
						MIN	MAX	
81 to 88	Negative Trigger Threshold Voltage	V_{TN2}	As per Table 2	As per Table 2	-	4.0	7.4	V
89 to 96	Hysterisis Voltage	V_{H1}	As per Table 2	As per Table 2	-	0.3	1.6	V
97 to 104	Hysterisis Voltage	V_{H2}	As per Table 2	As per Table 2	-	1.6	5.0	V
105	Threshold Voltage N-Channel	V_{THN}	As per Table 2	As per Table 2	± 0.3	-	-	V
106	Threshold Voltage P-Channel	V_{THP}	As per Table 2	As per Table 2	± 0.3	-	-	V

 	<p style="text-align: center;">ESA/SCC Detail Specification No. 9409/002</p>	<p style="text-align: center;">Rev. 'C'</p>	<p>PAGE 46 ISSUE 2</p>
---	--	---	----------------------------

APPENDIX 'A'

Page 1 of 1

AGREED DEVIATIONS FOR STMICROELECTRONICS (F)

ITEMS AFFECTED	DESCRIPTION OF DEVIATION
Para. 4.2.3	<p>Para. 9.23, High Temperature Reverse Bias Burn-in: The temperature limits of MIL-STD-883, Para. 4.5.8(c) may be used.</p> <p>Para. 9.24, Power Burn-in: The temperature limits of MIL-STD-883, Para. 4.5.8(c) may be used.</p>
Para. 4.2.4	Para. 9.21.1, Operating Life during Qualification Testing: The temperature limits of MIL-STD-883, Para. 4.5.8(c) may be used.
Para. 4.2.5	Para. 9.21.2, Operating Life during Lot Acceptance Testing: The temperature limits of MIL-STD-883, Para. 4.5.8(c) may be used.