



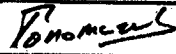
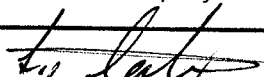
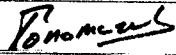
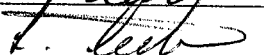

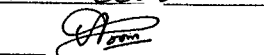
europaean space agency  
agence spatiale européenne

Pages 1 to 41

**INTEGRATED CIRCUITS, SILICON MONOLITHIC,  
HCMOS 8-INPUT OR/NOR GATE,  
BASED ON TYPES 54HC4078 AND 54HC4078A  
ESA/SCC Detail Specification No. 9201/123**



**space components  
coordination group**

Issue/Rev.	Date	Approved by	
		SCCG Chairman	ESA Director General or his Deputy
Issue 1	January 1992		
Revision 'A'	April 1994		
Revision 'B'	October 2001		



**DOCUMENTATION CHANGE NOTICE**

Rev. Letter	Rev. Date	Reference	CHANGE Item	Approved DCR No.
'A'	Apr. '94	Cover Page. DCN		None
		P6. Table 1(a)	: Lead Material and/or Finish amended.	None
		P8. Figure 2(b)	: Drawing altered.	23541
			: Dimension F Max. amended.	23541
		P13. Notes	: Note 13 added.	23541
		P18. Para. 4.4.2	: Lead Finish, Types amended.	221050
'B'	Oct. '01	P1. Cover page		None
		P2. DCN		None
		P4. T of C	: Appendix 'B', Manufacturer change	221603
		P5. Para. 1.3	: New sentence added	221603
		P6. Table 1(a)	: New variants 10 and 11 added	221566
		P7. Figure 2(a)	: Side Elevation corrected	221566
			: Dimension 'C' amended	221566
		P9. Figure 2(c)	: In the drawing, Pin No. 20 location corrected	221550
		P13. Notes to Figures	: Title amended to read 2(a) to 2(g)	221566
			: Note 9 text amended to include SO	221566
		P13A. Figure 2(g)	: New Figure added	221566
		P14. Figure 3(a)	: Titles amended to include SO	221566
			: Text amended to include SO	221566
		P18. Para. 4.3.2	: Text amended to include SO	221566
		Para. 4.4.2	: New sentence inserted after 'No. 23500'	221566
		Para. 4.5.2	: Text amended to include SO packages	221566
		P41. Appendix 'B'	: Manufacturer reference changed	221603
			: New deviations added	221603



## TABLE OF CONTENTS

	<u>Page</u>
<b>1. <u>GENERAL</u></b>	<b>5</b>
1.1 Scope	5
1.2 Component Type Variants	5
1.3 Maximum Ratings	5
1.4 Parameter Derating Information	5
1.5 Physical Dimensions	5
1.6 Pin Assignment	5
1.7 Truth Table	5
1.8 Circuit Schematic	5
1.9 Functional Diagram	5
1.10 Handling Precautions	5
1.11 Input and Output Protection Networks	5
<b>2. <u>APPLICABLE DOCUMENTS</u></b>	<b>17</b>
<b>3. <u>TERMS, DEFINITIONS, ABBREVIATIONS, SYMBOLS AND UNITS</u></b>	<b>17</b>
<b>4. <u>REQUIREMENTS</u></b>	<b>17</b>
4.1 General	17
4.2 Deviations from Generic Specification	17
4.2.1 Deviations from Special In-process Controls	17
4.2.2 Deviations from Final Production Tests	17
4.2.3 Deviations from Burn-in Tests	17
4.2.4 Deviations from Qualification Tests	17
4.2.5 Deviations from Lot Acceptance Tests	18
4.3 Mechanical Requirements	18
4.3.1 Dimension Check	18
4.3.2 Weight	18
4.4 Materials and Finishes	18
4.4.1 Case	18
4.4.2 Lead Material and Finish	18
4.5 Marking	18
4.5.1 General	18
4.5.2 Lead Identification	18
4.5.3 The SCC Component Number	19
4.5.4 Traceability Information	19
4.6 Electrical Measurements	19
4.6.1 Electrical Measurements at Room Temperature	19
4.6.2 Electrical Measurements at High and Low Temperatures	19
4.6.3 Circuits for Electrical Measurements	19
4.7 Burn-in Tests	19
4.7.1 Parameter Drift Values	19
4.7.2 Conditions for H.T.R.B. and Power Burn-in	19
4.7.3 Electrical Circuits for H.T.R.B. and Power Burn-in	19
4.8 Environmental and Endurance Tests	36
4.8.1 Electrical Measurements on Completion of Environmental Tests	36
4.8.2 Electrical Measurements at Intermediate Points during Endurance Tests	36
4.8.3 Electrical Measurements on Completion of Endurance Tests	36
4.8.4 Conditions for Operating Life Tests	36
4.8.5 Electrical Circuits for Operating Life Tests	36
4.8.6 Conditions for High Temperature Storage Test	36

**SEC**

ESA/SCC Detail Specification

No. 9201/123

Rev. 'B'

PAGE 4

ISSUE 1

	<u>Page</u>
4.9 Total Dose Irradiation Testing	36
4.9.1 Application	36
4.9.2 Bias Conditions	36
4.9.3 Electrical Measurements	36

**TABLES**

1(a) Type Variants	6
1(b) Maximum Ratings	6
2 Electrical Measurements at Room Temperature - d.c. Parameters	20
Electrical Measurements at Room Temperature - a.c. Parameters	23
3 Electrical Measurements at High and Low Temperatures	24
4 Parameter Drift Values	31
5(a) Conditions for Burn-in High Temperature Reverse Bias, N-Channels	32
5(b) Conditions for Burn-in High Temperature Reverse Bias, P-Channels	32
5(c) Conditions for Power Burn-in and Operating Life Test	33
6 Electrical Measurements on Completion of Environmental Tests and at Intermediate Points and on Completion of Endurance Testing	37
7 Electrical Measurements During and on Completion of Irradiation Testing	39

**FIGURES**

1 Not applicable	
2 Physical Dimensions	7
3(a) Pin Assignment	14
3(b) Truth Table	14
3(c) Circuit Schematic	15
3(d) Functional Diagram	15
3(e) Input and Output Protection Networks	16
4 Circuits for Electrical Measurements	27
5(a) Electrical Circuit for Burn-in High Temperature Reverse Bias, N-Channels	34
5(b) Electrical Circuit for Burn-in High Temperature Reverse Bias, P-Channels	34
5(c) Electrical Circuit for Power Burn-in and Operating Life Test	35
6 Bias Conditions for Irradiation Testing	38

**APPENDICES (Applicable to specific Manufacturers only)**

'A' AGREED DEVIATIONS FOR TEXAS INSTRUMENTS (F)	40
'B' AGREED DEVIATIONS FOR STMICROELECTRONICS (F)	41

**1. GENERAL****1.1 SCOPE**

This specification details the ratings, physical and electrical characteristics, test and inspection data for a silicon, monolithic, high speed CMOS 8-Input OR/NOR Gate, having fully buffered outputs, based on Types 54HC4078 and 54HC4078A. It shall be read in conjunction with ESA/SCC Generic Specification No. 9000, the requirements of which are supplemented herein.

**1.2 COMPONENT TYPE VARIANTS**

Variants of the basic type integrated circuits specified herein, which are also covered by this specification, are given in Table 1(a).

**1.3 MAXIMUM RATINGS**

The maximum ratings, which shall not be exceeded at any time during use or storage, applicable to the integrated circuits specified herein, are as scheduled in Table 1(b).

Maximum ratings shall only be exceeded during testing to the extent specified in this specification and when stipulated in Test Methods and Procedures of the applicable ESA/SCC Generic Specification.

**1.4 PARAMETER DERATING INFORMATION (FIGURE 1)**

Not applicable.

**1.5 PHYSICAL DIMENSIONS**

As per Figure 2.

**1.6 PIN ASSIGNMENT**

As per Figure 3(a).

**1.7 TRUTH TABLE**

As per Figure 3(b).

**1.8 CIRCUIT SCHEMATIC**

As per Figure 3(c).

**1.9 FUNCTIONAL DIAGRAM**

As per Figure 3(d).

**1.10 HANDLING PRECAUTIONS**

These devices are susceptible to damage by electrostatic discharge. Therefore, suitable precautions shall be employed for protection during all phases of manufacture, testing, packaging, shipment and any handling.

These components are Categorised as Class 2 with a Minimum Critical Path Failure Voltage of 2500 Volts.

**1.11 INPUT AND OUTPUT PROTECTION NETWORKS**

Protection networks shall be incorporated into each input and output as shown in Figure 3(e).

**TABLE 1(a) - TYPE VARIANTS**

VARIANT	BASED ON TYPE	CASE	FIGURE	LEAD MATERIAL AND/OR FINISH
01	54HC4078	FLAT	2(a)	G2 or G8
02	54HC4078	FLAT	2(a)	G4
03	54HC4078	D.I.L.	2(b)	G2 or G8
04	54HC4078	D.I.L.	2(b)	G4
05	54HC4078	CHIP CARRIER	2(c)	2
06	54HC4078A	FLAT	2(d)	G4
07	54HC4078A	D.I.L.	2(e)	G4
08	54HC4078A	CHIP CARRIER	2(f)	7
09	54HC4078A	CHIP CARRIER	2(f)	4
10	54HC4078A	SO CERAMIC	2(g)	G2
11	54HC4078A	SO CERAMIC	2(g)	G4

**TABLE 1(b) - MAXIMUM RATINGS**

NO.	CHARACTERISTICS	SYMBOL	MAXIMUM RATINGS	UNITS	REMARKS
1	Supply Voltage	$V_{DD}$	-0.5 to +7.0	V	Note 1
2	Input Voltage	$V_{IN}$	-0.5 to $V_{DD} + 0.5$	V	Notes 1, 2
3	Output Voltage	$V_{OUT}$	-0.5 to $V_{DD} + 0.5$	V	Notes 1, 3
4	Device Dissipation (Continuous)	$P_D$	300	mW	Note 4
5	Supply Current	$I_{DDop}$	50	mA	
6	Operating Temperature Range	$T_{op}$	-55 to +125	°C	$T_{amb}$
7	Storage Temperature Range	$T_{stg}$	-65 to +150	°C	
8	Soldering Temperature For FP and DIP For CCP	$T_{sol}$	+265 +245	°C	Note 5 Note 6

**NOTES**

- Device is functional for  $2.0V \leq V_{DD} \leq 6.0V$ .
- Input current limited to  $I_C = \pm 20mA$ .
- Output current limited to  $I_{OUT} = \pm 25mA$ .
- The maximum device dissipation is determined by  $I_{DDop}$  max. (50mA) x 6.0V.
- Duration 10 seconds maximum at a distance of not less than 1.5mm from the device body and the same lead shall not be resoldered until 3 minutes have elapsed.
- Duration 5 seconds maximum and the same terminal shall not be resoldered until 3 minutes have elapsed.

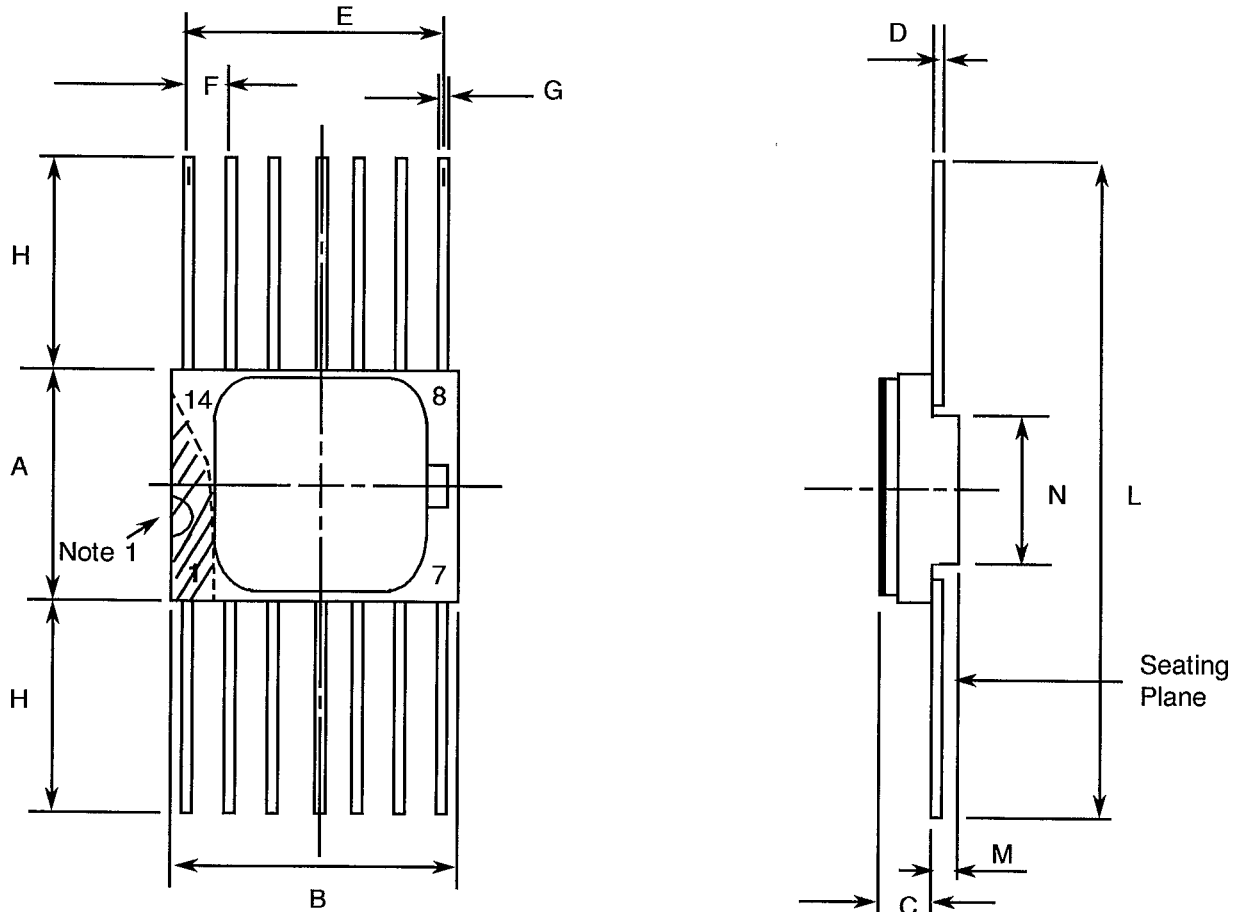
**FIGURE 1 - PARAMETER DERATING INFORMATION**

Not applicable.



**FIGURE 2 - PHYSICAL DIMENSIONS**

**FIGURE 2(a) - FLAT PACKAGE, 14-PIN**



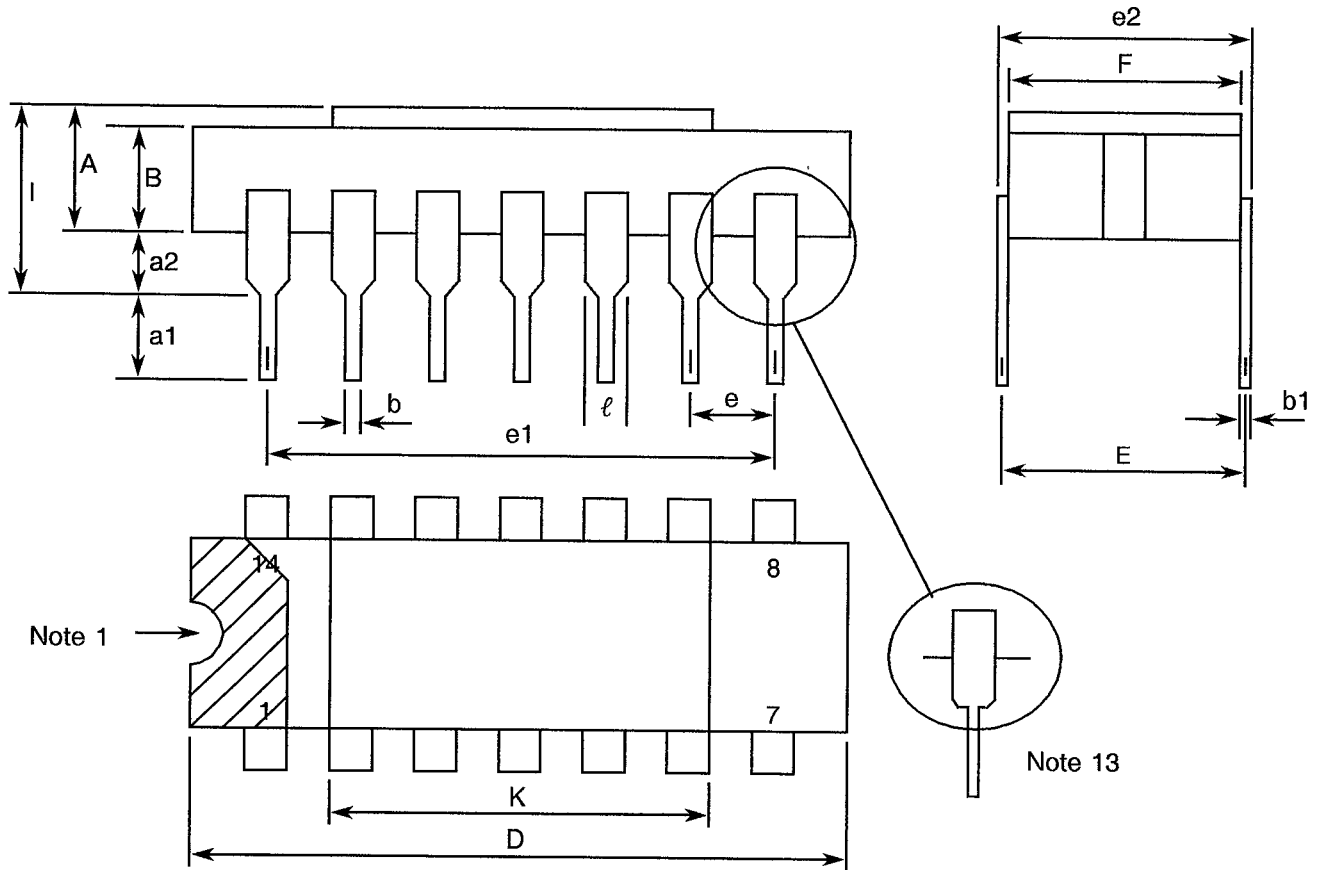
SYMBOL	MILLIMETRES		NOTES
	MIN	MAX	
A	6.75	7.06	
B	9.76	10.14	
C	1.49	1.95	
D	0.10	0.15	8
E	7.50	7.75	
F	1.27	TYPICAL	5, 9
G	0.38	0.48	8
H	6.0	-	8
L	18.75	22.0	
M	0.33	0.43	
N	4.31	TYPICAL	

**NOTES:** See Page 13.



**FIGURE 2 - PHYSICAL DIMENSIONS (CONTINUED)**

**FIGURE 2(b) - DUAL-IN-LINE PACKAGE, 14-PIN**



SYMBOL	MILLIMETRES		NOTES
	MIN	MAX	
A	2.10	2.54	
a1	3.0	3.70	
a2	0.63	1.14	3
B	1.82	2.23	
b	0.40	0.50	8
b1	0.20	0.30	8
D	18.79	19.20	
E	7.36	7.87	
e	2.54 TYPICAL		6, 9
e1	15.11	15.37	
e2	7.62	8.12	
F	7.11	7.75	
I	-	3.70	
K	10.90	12.10	
l	1.27 TYPICAL		8

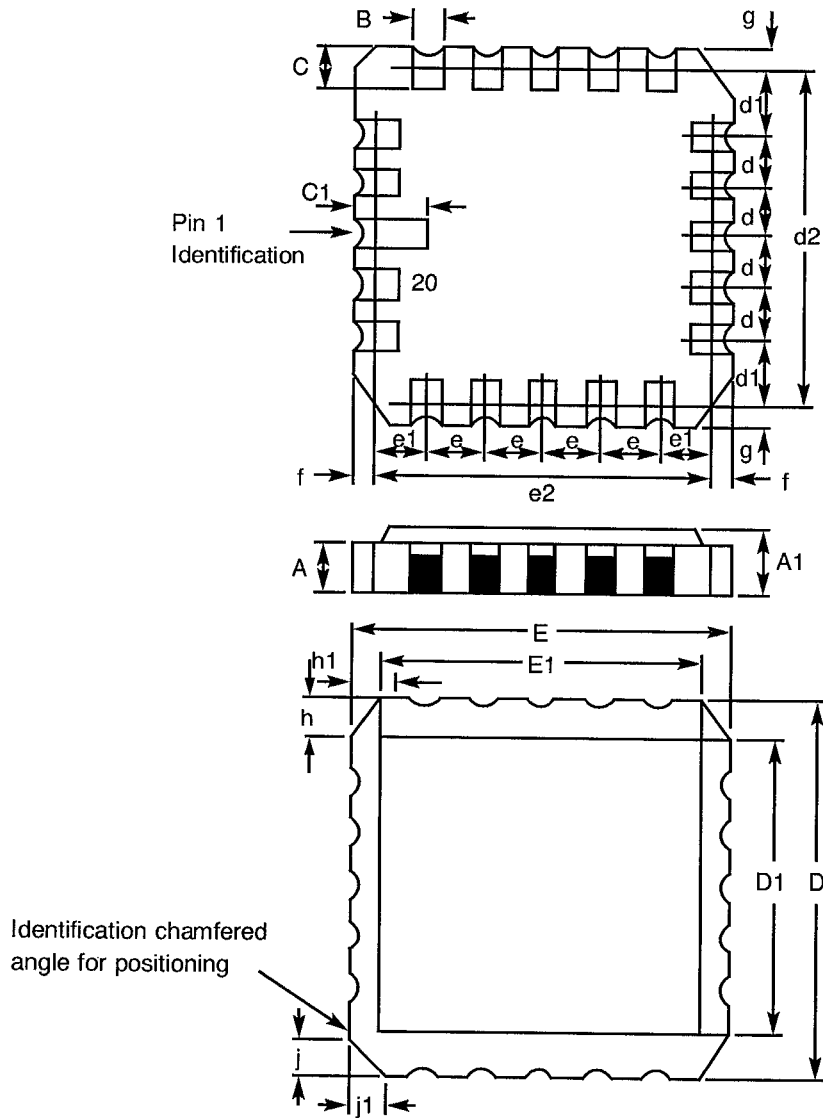
**NOTES:** See Page 13.





**FIGURE 2 - PHYSICAL DIMENSIONS (CONTINUED)**

**FIGURE 2(c) - CHIP CARRIER - 20-TERMINAL**



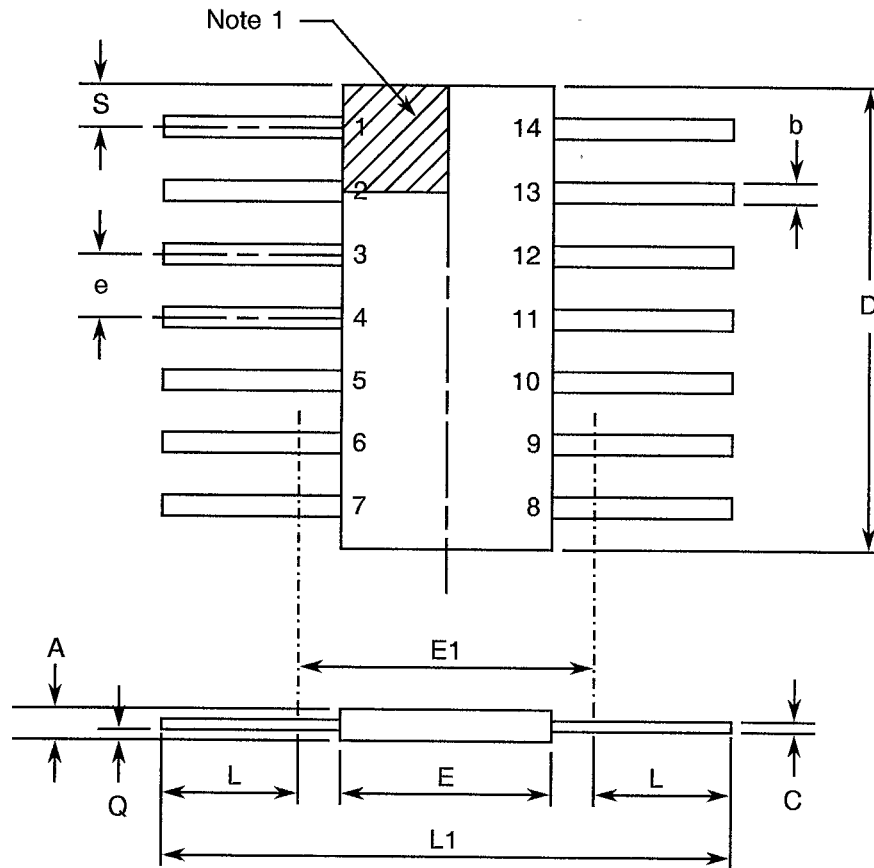
DIMENSIONS	MILLIMETRES		NOTES
	MIN	MAX	
A	1.14	1.95	
A1	1.63	2.36	
B	0.55	0.72	3
C	1.06	1.47	3
C <sub>1</sub>	1.91	2.41	
D	8.67	9.09	
D1	7.21	7.52	
d, d1	1.27	TYPICAL	4
d2	7.62	TYPICAL	
E	8.67	9.09	
E1	7.21	7.52	
e, e1	1.27	TYPICAL	4
e2	7.62	TYPICAL	
f, g	-	0.76	
h, h1	1.01	TYPICAL	6
j, j1	0.51	TYPICAL	5

**NOTES:** See Page 13.



**FIGURE 2 - PHYSICAL DIMENSIONS (CONTINUED)**

**FIGURE 2(d) - FLAT PACKAGE, 14-PIN**



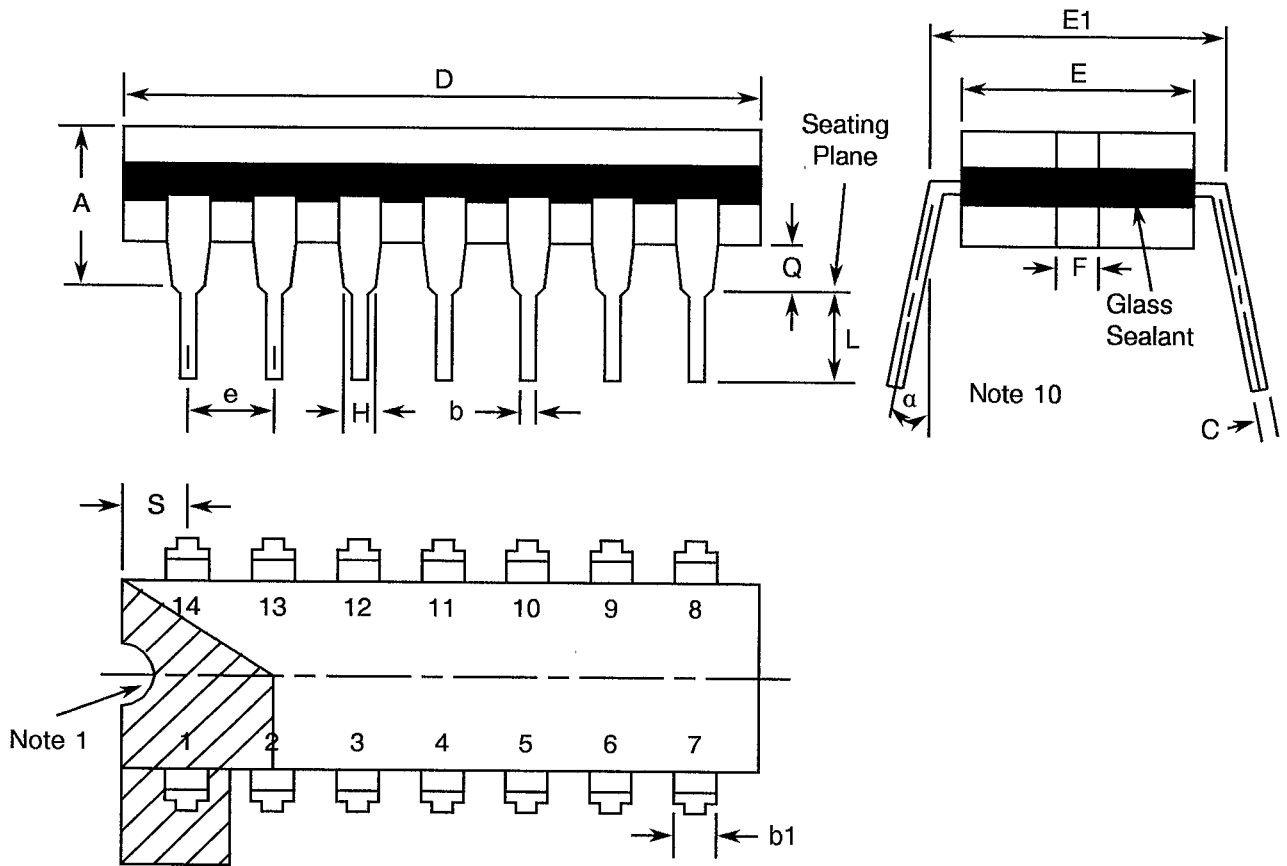
SYMBOL	MILLIMETRES		NOTES
	MIN	MAX	
A	1.27	2.03	
b	0.38	0.56	8
C	0.08	0.23	8
D	8.56	8.89	4
E	5.97	6.73	
E1	7.00 TYPICAL		4
e	1.27 TYPICAL		5, 9
L	6.86	8.0	8
L1	21.34	21.84	
Q	0.51	1.02	2
S	0.25	0.64	7

**NOTES:** See Page 13.



**FIGURE 2 - PHYSICAL DIMENSIONS (CONTINUED)**

**FIGURE 2(e) - DUAL-IN-LINE PACKAGE, 14-PIN**



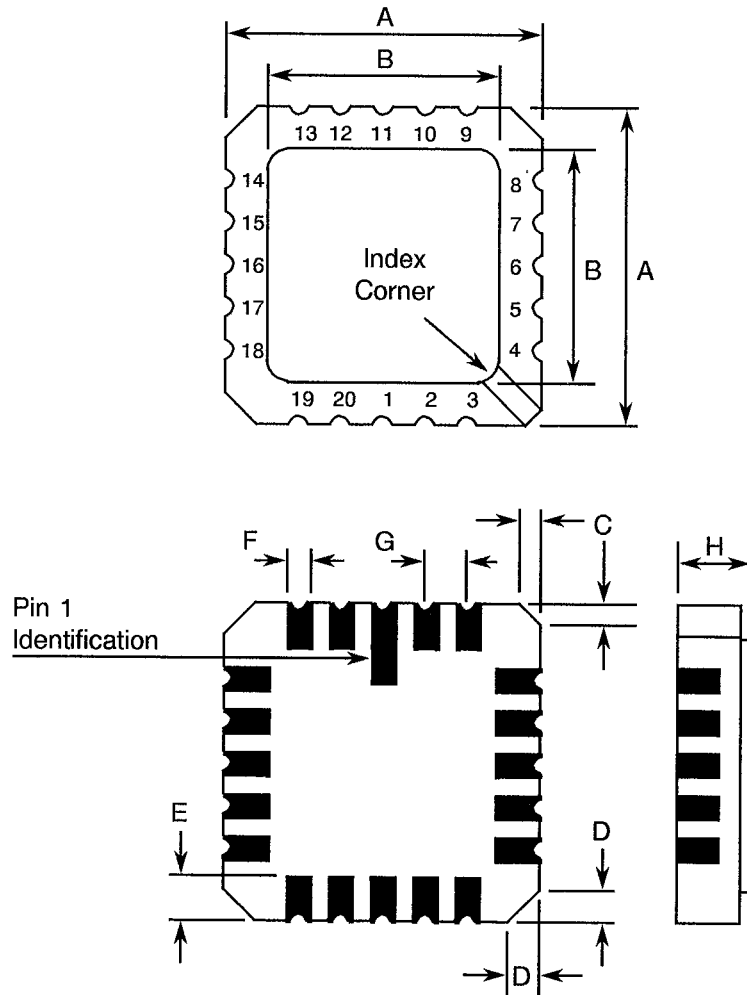
SYMBOL	MILLIMETRES		NOTES
	MIN	MAX	
A	-	5.08	
b	0.38	0.66	8
b1	-	1.78	8
C	0.20	0.44	8
D	19.18	19.94	4
E	6.22	7.62	4
E1	7.37	8.13	
e	2.54 TYPICAL		6, 9
F	1.27 TYPICAL		
H	0.76	-	8
L	3.30	5.08	8
Q	0.51	-	3
S	1.78	2.54	7
alpha	0°	15°	10

**NOTES:** See Page 13.




**FIGURE 2 - PHYSICAL DIMENSIONS (CONTINUED)**

**FIGURE 2(f) - SQUARE CHIP CARRIER PACKAGE (3 LAYER BASE), 20-TERMINAL**



SYMBOL	MILLIMETRES		NOTES
	MIN	MAX	
A	8.69	9.09	
B	7.80	9.09	
C	0.25	0.51	11
D	0.89	1.14	12
E	1.14	1.40	8
F	0.56	0.71	8
G	1.27 TYPICAL		5, 9
H	1.63	2.54	

**NOTES:** See Page 13.

	<p style="text-align: center;">ESA/SCC Detail Specification No. 9201/123</p>	<p style="text-align: center;">Rev. 'B'</p>	<p style="text-align: right;">PAGE 13 ISSUE 1</p>
--	--	---	---

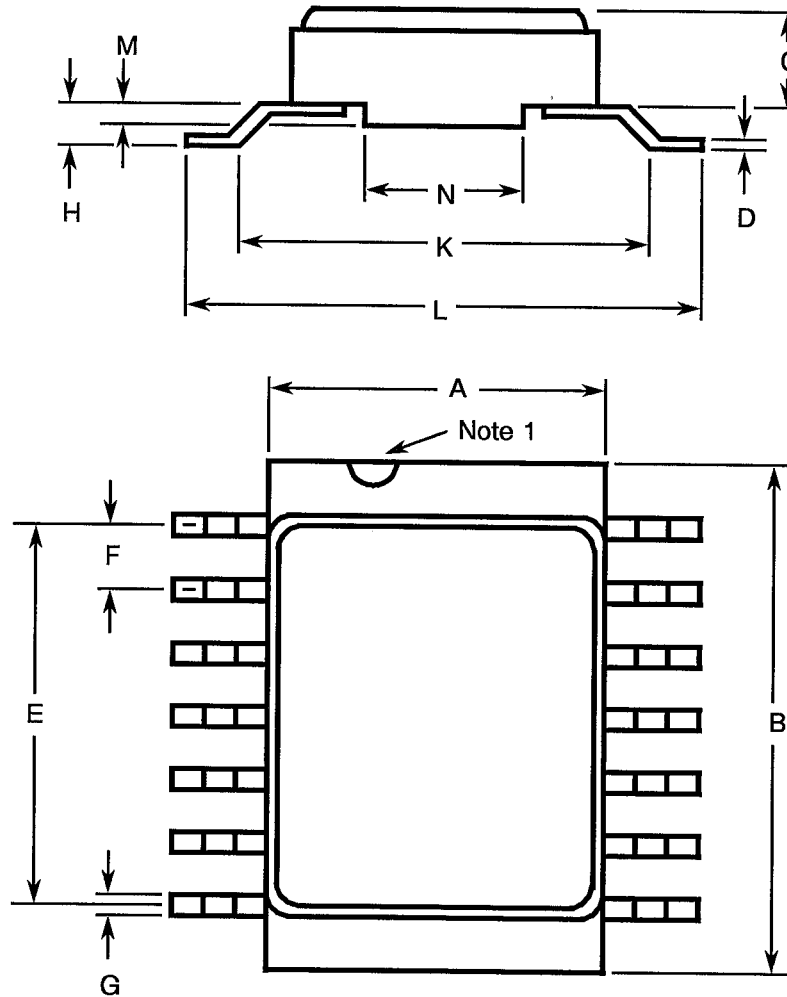
**FIGURE 2 - PHYSICAL DIMENSIONS (CONTINUED)**

**NOTES TO FIGURES 2(a) TO 2(g) INCLUSIVE**

1. Index area: a notch, letter or dot shall be located adjacent to Pin 1 and shall be within the shaded area shown. For chip carrier packages the index shall be as defined in Figures 2(c) and 2(f).
2. Dimension Q shall be measured at the point of exit of the lead from the body.
3. The dimension shall be measured from the seating plane to the base plane.
4. The dimension allows for off-centre lids, meniscus and glass overrun.
5. The true position pin or terminal spacing is 1.27mm between centrelines. Each pin or terminal centreline shall be located within  $\pm 0.13\text{mm}$  of it's true longitudinal position relative to Pin 1 and the highest pin number.
6. The true position pin spacing is 2.54mm between centrelines. Each pin centreline shall be located within  $\pm 0.25\text{mm}$  of it's true longitudinal position relative to Pin 1 and the highest pin number.
7. Applies to all 4 corners.
8. All leads or terminals.
9. 12 spaces for flat, SO and dual-in-line packages.  
16 spaces for chip carrier packages.
10. Lead centreline when  $\alpha$  is  $0^\circ$ .
11. Index corner only - 2 dimensions.
12. 3 non-index corners - 6 dimensions.
13. For all pins, either pin shape may be supplied.

**FIGURE 2 - PHYSICAL DIMENSIONS (CONTINUED)**

FIGURE 2(g) - SMALL OUTLINE CERAMIC PACKAGE, 14-PIN



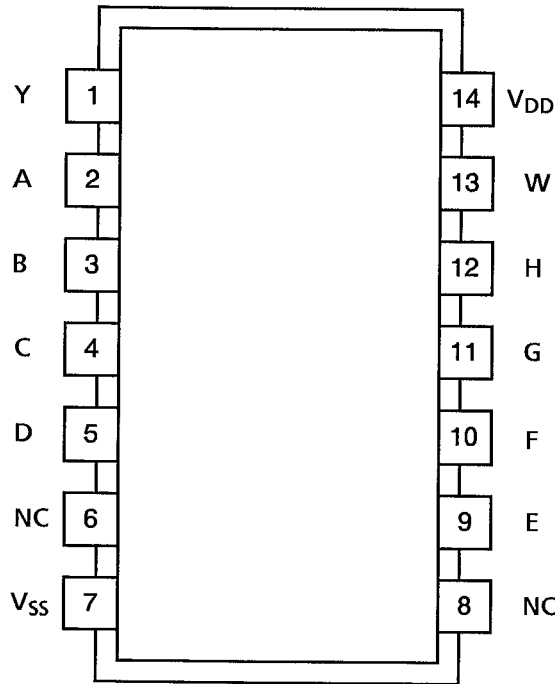
SYMBOL	MILLIMETRES		NOTES
	MIN.	MAX.	
A	6.75	7.06	
B	9.76	10.14	
C	1.49	1.95	
D	0.102	0.152	8
E	7.50	7.75	
F	1.27 TYPICAL		5, 9
G	0.38	0.48	8
H	0.60	0.90	8
K	9.00 TYPICAL		
L	10	10.65	
M	0.33	0.43	
N	4.31 TYPICAL		

**NOTES:** See Page 13.



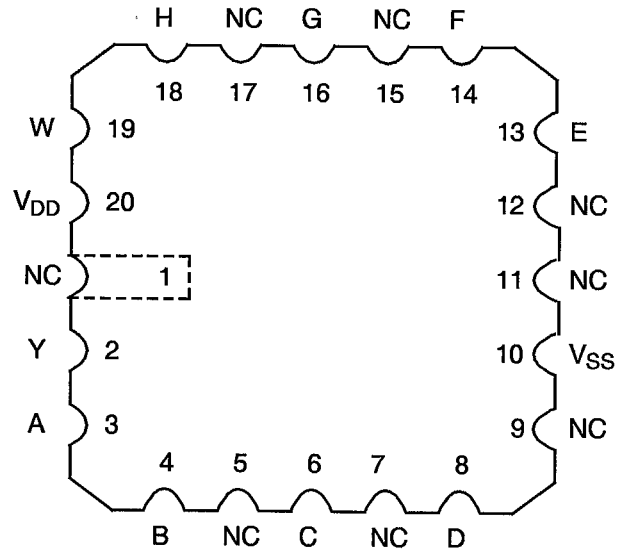
**FIGURE 3(a) - PIN ASSIGNMENT**

DUAL-IN-LINE, SO AND FLAT PACKAGE



TOP VIEW

CHIP CARRIER PACKAGE



TOP VIEW

FLAT PACKAGE, SO AND DUAL-IN-LINE TO CHIP CARRIER PIN ASSIGNMENT

FLAT PACKAGE, SO AND

DUAL-IN-LINE PIN OUTS    1   2   3   4   5   6   7   8   9   10   11   12   13   14

CHIP CARRIER PIN OUTS   2   3   4   6   8   9   10   12   13   14   16   18   19   20

**FIGURE 3(b) - TRUTH TABLE**

INPUTS A THRU H	OUTPUTS	
	W	Y
One or more Inputs High	L	H
All Inputs Low	H	L

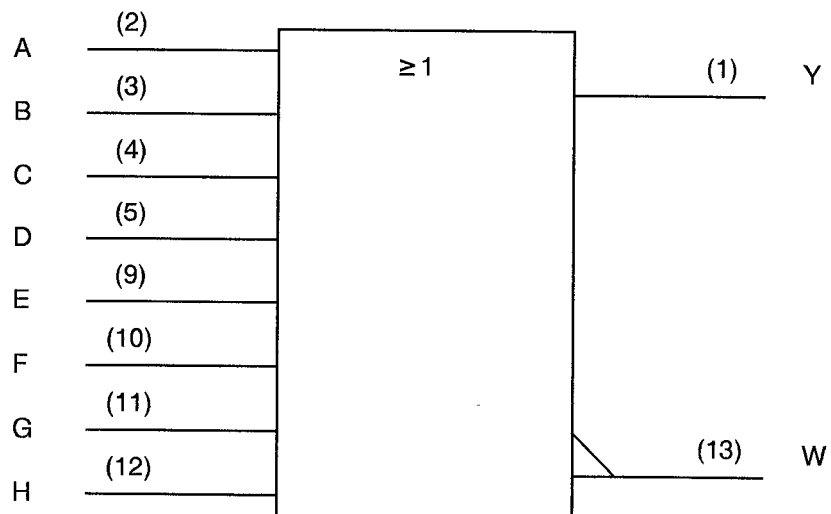
**NOTES** 1. Logic Level Definitions: L = Low Level, H = High Level.



**FIGURE 3(c) - CIRCUIT SCHEMATIC**

Not applicable.

**FIGURE 3(d) - FUNCTIONAL DIAGRAM**



**NOTES**

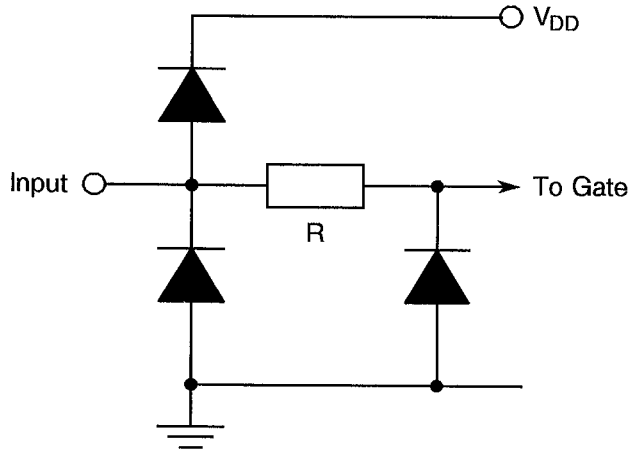
1. Pin numbers shown are for DIP and FP.



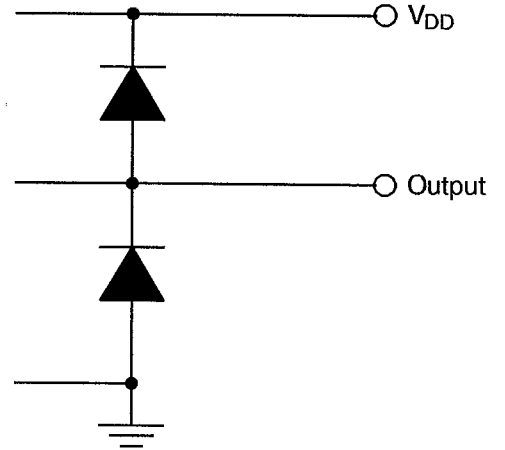


**FIGURE 3(e) - INPUT AND OUTPUT PROTECTION NETWORKS**

INPUT PROTECTION

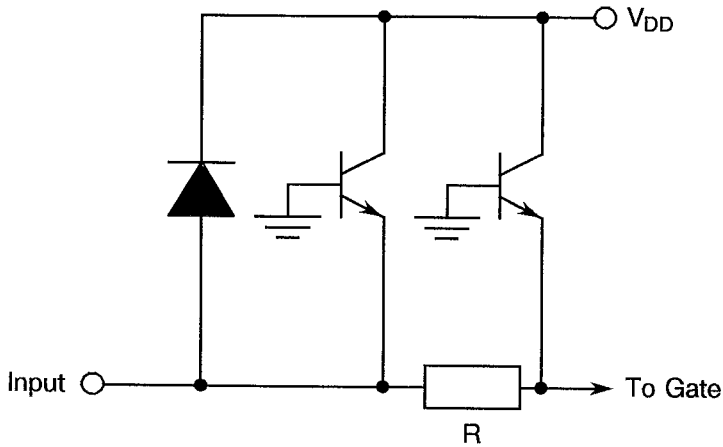


OUTPUT PROTECTION

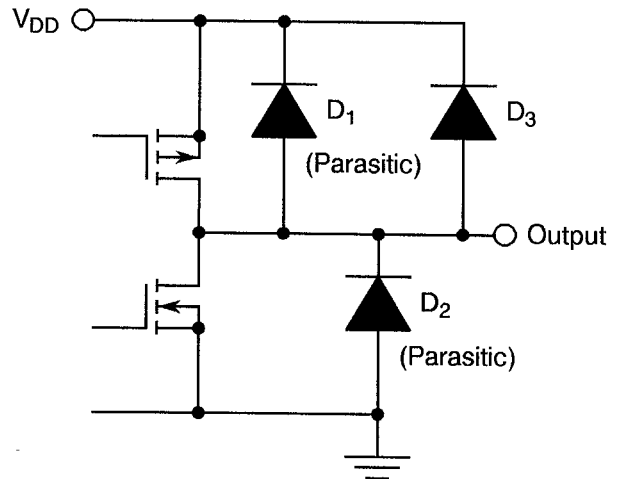


VARIANTS 01 TO 05

INPUT PROTECTION



OUTPUT PROTECTION



VARIANTS 06 TO 09

**2. APPLICABLE DOCUMENTS**

The following documents form part of this specification and shall be read in conjunction with it:-

- (a) ESA/SCC Generic Specification No. 9000 for Integrated Circuits.
- (b) MIL-STD-883, Test Methods and Procedures for Micro-electronics.

**3. TERMS, DEFINITIONS, ABBREVIATIONS, SYMBOLS AND UNITS**

For the purpose of this specification, the terms, definitions, abbreviations, symbols and units specified in ESA/SCC Basic Specification No. 21300 shall apply. In addition, the following symbols are used:

$V_{IC}$  = Input Clamp Voltage.

$I_{IC}$  = Input Clamp Diode Current.

**4. REQUIREMENTS****4.1 GENERAL**

The complete requirements for procurement of the integrated circuits specified herein are stated in this specification and ESA/SCC Generic Specification No. 9000 for Integrated Circuits. Deviations from the Generic Specification, applicable to this specification only, are listed in Para. 4.2.

Deviations from the applicable Generic Specification and this Detail Specification, formally agreed with specific Manufacturers on the basis that the alternative requirements are equivalent to the ESA/SCC requirements and do not affect the components' reliability, are listed in the appendices attached to this specification.

**4.2 DEVIATIONS FROM GENERIC SPECIFICATION****4.2.1 Deviations from Special In-process Controls**

- (a) Para. 5.2.2, Total Dose Irradiation Testing: Shall be performed during irradiation qualification and maintenance of qualification.
- (b) Para. 5.2.2, Total Dose Irradiation Testing: Shall be performed during procurement on an irradiation lot acceptance basis at the total dose irradiation level specified in the Purchase Order.

**4.2.2 Deviations from Final Production Tests (Chart II)**

None.

**4.2.3 Deviations from Burn-in Tests (Chart III)**

None.

**4.2.4 Deviations from Qualification Tests (Chart IV)**

None.



#### 4.2.5 Deviations from Lot Acceptance Tests (Chart V)

None.

### 4.3 MECHANICAL REQUIREMENTS

#### 4.3.1 Dimension Check

The dimensions of the integrated circuits specified herein shall be checked. They shall conform to those shown in Figure 2.

#### 4.3.2 Weight

The maximum weight of the integrated circuits specified herein shall be 2.2 grammes for the dual-in-line package, 0.7 grammes for the flat and SO packages and 0.6 grammes for the chip carrier package.

### 4.4 MATERIALS AND FINISHES

The materials shall be as specified herein. Where a definite material is not specified, a material which will enable the integrated circuits specified herein to meet the performance requirements of this specification shall be used. Acceptance or approval of any constituent material does not guarantee acceptance of the finished product.

#### 4.4.1 Case

The case shall be hermetically sealed and have a metal body with hard glass seals or a ceramic body and the lids shall be welded, brazed, preform-soldered or glass frit sealed.

#### 4.4.2 Lead Material and Finish

For dual-in-line and flat packages, the material shall be Type 'G' with either Type '4' or Type '2 or 8' finish in accordance with the requirements of ESA/SCC Basic Specification No. 23500. For chip carrier packages the finish shall be Type '2', Type '4' or Type '7' in accordance with the requirements of ESA/SCC Basic Specification No. 23500. For SO ceramic packages, the material shall be Type 'G' with either Type '2' or Type '4' finish in accordance with the requirements of ESA/SCC Basic Specification No. 23500. (See Table 1(a) for Type Variants).

### 4.5 MARKING

#### 4.5.1 General

The marking of all components delivered to this specification shall be in accordance with the requirements of ESA/SCC Basic Specification No. 21700. Each component shall be marked in respect of:-

- (a) Lead Identification.
- (b) The SCC Component Number.
- (c) Traceability Information.

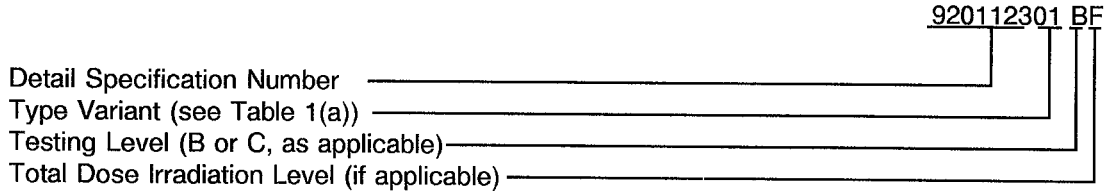
#### 4.5.2 Lead Identification

For dual-in-line, flat and SO packages, an index shall be located at the top of the package in the position defined in Note 1 to Figure 2 or, alternatively, a tab may be used to identify Pin No. 1. The pin numbering must be read with the index or tab on the left-hand side. For chip carrier packages, the index shall be as defined by Figures 2(c) and 2(f).



4.5.3 The SCC Component Number

Each component shall bear the SCC Component Number which shall be constituted and marked as follows:



The Total Dose Irradiation Level designation shall be added for those devices for which a sample has been successfully tested to the level in question. For these devices, a code letter shall be added in accordance with the requirements of ESA/SCC Basic Specification No. 22900.

4.5.4 Traceability Information

Each component shall be marked in respect of traceability information in accordance with the requirements of ESA/SCC Basic Specification No. 21700.

4.6 ELECTRICAL MEASUREMENTS

4.6.1 Electrical Measurements at Room Temperature

The parameters to be measured in respect of electrical characteristics are scheduled in Table 2. Unless otherwise specified, the measurements shall be performed at  $T_{amb} = +22 \pm 3$  °C.

4.6.2 Electrical Measurements at High and Low Temperatures

The parameters to be measured at high and low temperatures are scheduled in Table 3. The measurements shall be performed at  $T_{amb} = +125 (+0 -5)$  °C and  $-55 (+5 -0)$  °C respectively.

4.6.3 Circuits for Electrical Measurements

Circuits and test sequences for use in performing electrical measurements listed in Tables 2 and 3 of this specification are shown in Figure 4.

4.7 BURN-IN TESTS

4.7.1 Parameter Drift Values

The parameter drift values applicable to H.T.R.B. and Power Burn-in are specified in Table 4 of this specification. Unless otherwise stated, measurements shall be performed at  $T_{amb} = +22 \pm 3$  °C. The parameter drift values ( $\Delta$ ) applicable to the parameters scheduled, shall not be exceeded. In addition to these drift value requirements, the appropriate limit value specified for a given parameter in Table 2 shall not be exceeded.

For H.T.R.B. Burn-in, the parameter drift values ( $\Delta$ ) shall be applied before the N-Channel (0 hours) and after the P-Channel (144 hours) burn-in.

4.7.2 Conditions for H.T.R.B. and Power Burn-in

The requirements for H.T.R.B. and Power Burn-in are specified in Section 7 of ESA/SCC Generic Specification No. 9000. The conditions for H.T.R.B. and Power Burn-in shall be as specified in Tables 5(a), 5(b) and 5(c) of this specification.

4.7.3 Electrical Circuits for H.T.R.B. and Power Burn-in

Circuits for use in performing the H.T.R.B. and Power Burn-in tests are shown in Figures 5(a), 5(b) and 5(c) of this specification.



**TABLE 2 - ELECTRICAL MEASUREMENTS AT ROOM TEMPERATURE - d.c. PARAMETERS**

NO.	CHARACTERISTICS	SYMBOL	TEST METHOD MIL-STD 883	TEST FIG.	TEST CONDITIONS (PINS UNDER TEST D/F = DIP AND FP C = CCP)	LIMITS		UNIT
						MIN	MAX	
1	Functional Test 1	-	-	3(b)	Verify Truth Table without Load. $V_{IL} = 0.3V, V_{IH} = 1.5V$ $V_{DD} = 2.0V, V_{SS} = 0V$ $t_r < 1.0\mu s, f = 10kHz$ (min) Note 1	-	-	-
2	Functional Test 2	-	-	3(b)	Verify Truth Table without Load. $V_{IL} = 0.9V, V_{IH} = 3.15V$ $V_{DD} = 4.5V, V_{SS} = 0V$ $t_r = t_f < 500ns$ $f = 10kHz$ (min) Note 1	-	-	-
3	Functional Test 3	-	-	3(b)	Verify Truth Table without Load. $V_{IL} = 1.2V, V_{IH} = 4.2V$ $V_{DD} = 6.0V, V_{SS} = 0V$ $t_r = t_f < 400ns$ $f = 10kHz$ (min) Note 1	-	-	-
4 to 5	Quiescent Current	$I_{DD}$	3005	4(a)	$V_{IL} = 0V, V_{IH} = 6.0V$ $V_{DD} = 6.0V, V_{SS} = 0V$ All Outputs Open (Pin D/F 14) (Pin C 20)	-	0.4	$\mu A$
6 to 13	Input Current Low Level	$I_{IL}$	3009	4(b)	$V_{IN}$ (Under Test) = 0V $V_{IN}$ (Remaining Inputs) = 6.0V $V_{DD} = 6.0V, V_{SS} = 0V$ (Pins D/F 2-3-4-5-9-10-11-12) (Pins C 3-4-6-8-13-14-16-18)	-	-50	nA
14 to 21	Input Current High Level	$I_{IH}$	3010	4(c)	$V_{IN}$ (Under Test) = 6.0V $V_{IN}$ (Remaining Inputs) = 0V $V_{DD} = 6.0V, V_{SS} = 0V$ (Pins D/F 2-3-4-5-9-10-11-12) (Pins C 3-4-6-8-13-14-16-18)	-	50	nA

**NOTES:** See Page 22.

**TABLE 2 - ELECTRICAL MEASUREMENTS AT ROOM TEMPERATURE - d.c. PARAMETERS (CONT'D)**

NO.	CHARACTERISTICS	SYMBOL	TEST METHOD MIL-STD 883	TEST FIG.	TEST CONDITIONS (PINS UNDER TEST D/F = DIP AND FP C = CCP)	LIMITS		UNIT
						MIN	MAX	
22 to 23	Output Voltage Low Level 1	V <sub>OL1</sub>	3007	4(d)	V <sub>IL</sub> = 0.3V, V <sub>IH</sub> = 1.5V I <sub>OL</sub> = 20μA V <sub>DD</sub> = 2.0V, V <sub>SS</sub> = 0V (Pins D/F 1-13) (Pins C 2-19)	-	0.1	V
24 to 25	Output Voltage Low Level 2	V <sub>OL2</sub>	3007	4(d)	V <sub>IL</sub> = 0.9V, V <sub>IH</sub> = 3.15V I <sub>OL</sub> = 20μA V <sub>DD</sub> = 4.5V, V <sub>SS</sub> = 0V (Pins D/F 1-13) (Pins C 2-19)	-	0.1	V
26 to 27	Output Voltage Low Level 3	V <sub>OL3</sub>	3007	4(d)	V <sub>IL</sub> = 1.2V, V <sub>IH</sub> = 4.2V I <sub>OL</sub> = 20μA V <sub>DD</sub> = 6.0V, V <sub>SS</sub> = 0V (Pins D/F 1-13) (Pins C 2-19)	-	0.1	V
28 to 29	Output Voltage Low Level 4	V <sub>OL4</sub>	3007	4(d)	V <sub>IL</sub> = 0.9V, V <sub>IH</sub> = 3.15V I <sub>OL</sub> = 4.0mA V <sub>DD</sub> = 4.5V, V <sub>SS</sub> = 0V (Pins D/F 1-13) (Pins C 2-19)	-	0.26	V
30 to 31	Output Voltage Low Level 5	V <sub>OL5</sub>	3007	4(d)	V <sub>IL</sub> = 1.2V, V <sub>IH</sub> = 4.2V I <sub>OL</sub> = 5.2mA V <sub>DD</sub> = 6.0V, V <sub>SS</sub> = 0V (Pins D/F 1-13) (Pins C 2-19)	-	0.26	V
32 to 33	Output Voltage High Level 1	V <sub>OH1</sub>	3006	4(e)	V <sub>IL</sub> = 0.3V, V <sub>IH</sub> = 1.5V I <sub>OH</sub> = -20μA V <sub>DD</sub> = 2.0V, V <sub>SS</sub> = 0V (Pins D/F 1-13) (Pins C 2-19)	1.9	-	V
34 to 35	Output Voltage High Level 2	V <sub>OH2</sub>	3006	4(e)	V <sub>IL</sub> = 0.9V, V <sub>IH</sub> = 3.15V I <sub>OH</sub> = -20μA V <sub>DD</sub> = 4.5V, V <sub>SS</sub> = 0V (Pins D/F 1-13) (Pins C 2-19)	4.4	-	V
36 to 37	Output Voltage High Level 3	V <sub>OH3</sub>	3006	4(e)	V <sub>IL</sub> = 1.2V, V <sub>IH</sub> = 4.2V I <sub>OH</sub> = -20μA V <sub>DD</sub> = 6.0V, V <sub>SS</sub> = 0V (Pins D/F 1-13) (Pins C 2-19)	5.9	-	V

**NOTES:** See Page 22.

**TABLE 2 - ELECTRICAL MEASUREMENTS AT ROOM TEMPERATURE - d.c. PARAMETERS (CONT'D)**

NO.	CHARACTERISTICS	SYMBOL	TEST METHOD MIL-STD 883	TEST FIG.	TEST CONDITIONS (PINS UNDER TEST D/F = DIP AND FP C = CCP)	LIMITS		UNIT
						MIN	MAX	
38 to 39	Output Voltage High Level 4	$V_{OH4}$	3006	4(e)	$V_{IL} = 0.9V$ , $V_{IH} = 3.15V$ $I_{OH} = -4.0mA$ $V_{DD} = 4.5V$ , $V_{SS} = 0V$ (Pins D/F 1-13) (Pins C 2-19)	3.98	-	V
40 to 41	Output Voltage High Level 5	$V_{OH5}$	3006	4(e)	$V_{IL} = 1.2V$ , $V_{IH} = 4.2V$ $I_{OH} = -5.2mA$ $V_{DD} = 6.0V$ , $V_{SS} = 0V$ (Pins D/F 1-13) (Pins C 2-19)	5.48	-	V
42	Threshold Voltage N-Channel	$V_{THN}$	-	4(f)	A and B Inputs at Ground All Other Inputs: $V_{IN} = 5.0V$ $V_{DD} = 5.0V$ , $I_{SS} = -10\mu A$ (Pin D/F 7) (Pin C 10)	-0.45	-1.45	V
43	Threshold Voltage P-Channel	$V_{THP}$	-	4(g)	A Input at Ground All Other Inputs: $V_{IN} = -5.0Vdc$ $V_{SS} = -5.0V$ , $I_{DD} = 10\mu A$ (Pin D/F 14) (Pin C 20)	0.45	1.35	V
44 to 51	Input Clamp Voltage (to $V_{SS}$ )	$V_{IC1}$	-	4(h)	$I_{IN}$ (Under Test) = $-0.1mA$ $V_{DD} = \text{Open}$ , $V_{SS} = 0V$ All Other Pins Open (Pins D/F 2-3-4-5-9-10-11-12) (Pins C 3-4-6-8-13-14-16-18)	-0.4	-0.9	V
52 to 59	Input Clamp Voltage (to $V_{DD}$ )	$V_{IC2}$	-	4(h)	$I_{IN}$ (Under Test) = $0.1mA$ $V_{DD} = 0V$ , $V_{SS} = \text{Open}$ , All Other Pins Open (Pins D/F 2-3-4-5-9-10-11-12) (Pins C 3-4-6-8-13-14-16-18)	0.4	0.9	V

**NOTES**

1. Maximum time to output comparator strobe 30 $\mu s$ .
2. Guaranteed but not tested.
3. Measurements shall be performed on a 100% basis go-no-go, with read and record on a sample basis, LTPD7 (32 pieces) after Chart III (Burn-in) Tests.

**TABLE 2 - ELECTRICAL MEASUREMENTS AT ROOM TEMPERATURE - a.c. PARAMETERS**

NO.	CHARACTERISTICS	SYMBOL	TEST METHOD MIL-STD 883	TEST FIG.	TEST CONDITIONS (PINS UNDER TEST D/F = DIP AND FP C = CCP)	LIMITS		UNIT
						MIN	MAX	
60 to 67	Input Capacitance	$C_{IN}$	3012	4(i)	$V_{IN}$ (Not Under Test) = 0Vdc $V_{DD} = V_{SS} = 0V$ Note 2 (Pins D/F 2-3-4-5-9-10-11-12) (Pins C 3-4-6-8-13-14-16-18)	-	10	pF
68	Propagation Delay Low to High (A to W)	$t_{PLH}$	3003	4(j)	Gate Under Test: $V_{IN1}$ = Pulse Generator $V_{IN}$ (Remaining Inputs) = 0V $V_{DD} = 4.5V, V_{SS} = 0V$ Note 3 <u>Pins D/F</u> <u>Pins C</u> 2 to 13          3 to 19	-	26	ns
69	Propagation Delay High to Low (A to W)	$t_{PHL}$	3003	4(j)	Gate Under Test: $V_{IN1}$ = Pulse Generator $V_{IN}$ (Remaining Inputs) = 0V $V_{DD} = 4.5V, V_{SS} = 0V$ Note 3 <u>Pins D/F</u> <u>Pins C</u> 2 to 13          3 to 19	-	26	ns
70	Transition Time Low to High	$t_{TLH}$	3004	4(j)	Gate Under Test: $V_{IN1}$ = Pulse Generator $V_{IN}$ (Remaining Inputs) = 0V $V_{DD} = 4.5V, V_{SS} = 0V$ Note 3 (Pin D/F 13) (Pin C 19)	-	15	ns
71	Transition Time High to Low	$t_{THL}$	3004	4(j)	Gate Under Test: $V_{IN1}$ = Pulse Generator $V_{IN}$ (Remaining Inputs) = 0V $V_{DD} = 4.5V, V_{SS} = 0V$ Note 3 (Pin D/F 13) (Pin C 19)	-	15	ns

**NOTES:** See Page 22.



**TABLE 3 - ELECTRICAL MEASUREMENTS AT HIGH AND LOW TEMPERATURES**

NO.	CHARACTERISTICS	SYMBOL	TEST METHOD MIL-STD 883	TEST FIG.	TEST CONDITIONS (PINS UNDER TEST D/F = DIP AND FP C = CCP)	LIMITS		UNIT
						MIN	MAX	
1	Functional Test 1	-	-	3(b)	Verify Truth Table without Load. $V_{IL} = 0.3V$ , $V_{IH} = 1.5V$ $V_{DD} = 2.0V$ , $V_{SS} = 0V$ $t_r < 1.0\mu s$ , $f = 10kHz$ (min) Note 1	-	-	-
2	Functional Test 2	-	-	3(b)	Verify Truth Table without Load. $V_{IL} = 0.9V$ , $V_{IH} = 3.15V$ $V_{DD} = 4.5V$ , $V_{SS} = 0V$ $t_r = t_f < 500ns$ $f = 10kHz$ (min) Note 1	-	-	-
3	Functional Test 3	-	-	3(b)	Verify Truth Table without Load. $V_{IL} = 1.2V$ , $V_{IH} = 4.2V$ $V_{DD} = 6.0V$ , $V_{SS} = 0V$ $t_r = t_f < 400ns$ $f = 10kHz$ (min) Note 1	-	-	-
4 to 5	Quiescent Current	$I_{DD}$	3005	4(a)	$V_{IL} = 0V$ , $V_{IH} = 6.0V$ $V_{DD} = 6.0V$ , $V_{SS} = 0V$ All Outputs Open (Pin D/F 14) (Pin C 20)	-	8.0	$\mu A$
6 to 13	Input Current Low Level	$I_{IL}$	3009	4(b)	$V_{IN}$ (Under Test) = 0V $V_{IN}$ (Remaining Inputs) = 6.0V $V_{DD} = 6.0V$ , $V_{SS} = 0V$ (Pins D/F 2-3-4-5-9-10-11-12) (Pins C 3-4-6-8-13-14-16-18)	-	-1.0	$\mu A$
14 to 21	Input Current High Level	$I_{IH}$	3010	4(c)	$V_{IN}$ (Under Test) = 6.0V $V_{IN}$ (Remaining Inputs) = 0V $V_{DD} = 6.0V$ , $V_{SS} = 0V$ (Pins D/F 2-3-4-5-9-10-11-12) (Pins C 3-4-6-8-13-14-16-18)	-	1.0	$\mu A$

**NOTES:** See Page 22.

**TABLE 3 - ELECTRICAL MEASUREMENTS AT HIGH AND LOW TEMPERATURES (CONT'D)**

NO.	CHARACTERISTICS	SYMBOL	TEST METHOD MIL-STD 883	TEST FIG.	TEST CONDITIONS (PINS UNDER TEST D/F = DIP AND FP C = CCP)	LIMITS		UNIT
						MIN	MAX	
22 to 23	Output Voltage Low Level 1	V <sub>OL1</sub>	3007	4(d)	V <sub>IL</sub> = 0.3V, V <sub>IH</sub> = 1.5V I <sub>OL</sub> = 20μA V <sub>DD</sub> = 2.0V, V <sub>SS</sub> = 0V (Pins D/F 1-13) (Pins C 2-19)	-	0.1	V
24 to 25	Output Voltage Low Level 2	V <sub>OL2</sub>	3007	4(d)	V <sub>IL</sub> = 0.9V, V <sub>IH</sub> = 3.15V I <sub>OL</sub> = 20μA V <sub>DD</sub> = 4.5V, V <sub>SS</sub> = 0V (Pins D/F 1-13) (Pins C 2-19)	-	0.1	V
26 to 27	Output Voltage Low Level 3	V <sub>OL3</sub>	3007	4(d)	V <sub>IL</sub> = 1.2V, V <sub>IH</sub> = 4.2V I <sub>OL</sub> = 20μA V <sub>DD</sub> = 6.0V, V <sub>SS</sub> = 0V (Pins D/F 1-13) (Pins C 2-19)	-	0.1	V
28 to 29	Output Voltage Low Level 4	V <sub>OL4</sub>	3007	4(d)	V <sub>IL</sub> = 0.9V, V <sub>IH</sub> = 3.15V I <sub>OL</sub> = 4.0mA V <sub>DD</sub> = 4.5V, V <sub>SS</sub> = 0V (Pins D/F 1-13) (Pins C 2-19)	-	0.4	V
30 to 31	Output Voltage Low Level 5	V <sub>OL5</sub>	3007	4(d)	V <sub>IL</sub> = 1.2V, V <sub>IH</sub> = 4.2V I <sub>OL</sub> = 5.2mA V <sub>DD</sub> = 6.0V, V <sub>SS</sub> = 0V (Pins D/F 1-13) (Pins C 2-19)	-	0.4	V
32 to 33	Output Voltage High Level 1	V <sub>OH1</sub>	3006	4(e)	V <sub>IL</sub> = 0.3V, V <sub>IH</sub> = 1.5V I <sub>OH</sub> = -20μA V <sub>DD</sub> = 2.0V, V <sub>SS</sub> = 0V (Pins D/F 1-13) (Pins C 2-19)	1.9	-	V
34 to 35	Output Voltage High Level 2	V <sub>OH2</sub>	3006	4(e)	V <sub>IL</sub> = 0.9V, V <sub>IH</sub> = 3.15V I <sub>OH</sub> = -20μA V <sub>DD</sub> = 4.5V, V <sub>SS</sub> = 0V (Pins D/F 1-13) (Pins C 2-19)	4.4	-	V
36 to 37	Output Voltage High Level 3	V <sub>OH3</sub>	3006	4(e)	V <sub>IL</sub> = 1.2V, V <sub>IH</sub> = 4.2V I <sub>OH</sub> = -20μA V <sub>DD</sub> = 6.0V, V <sub>SS</sub> = 0V (Pins D/F 1-13) (Pins C 2-19)	5.9	-	V

**NOTES:** See Page 22.

**TABLE 3 - ELECTRICAL MEASUREMENTS AT HIGH AND LOW TEMPERATURES (CONT'D)**

NO.	CHARACTERISTICS	SYMBOL	TEST METHOD MIL-STD 883	TEST FIG.	TEST CONDITIONS (PINS UNDER TEST D/F = DIP AND FP C = CCP)	LIMITS		UNIT
						MIN	MAX	
38 to 39	Output Voltage High Level 4	V <sub>OH4</sub>	3006	4(e)	V <sub>IL</sub> = 0.9V, V <sub>IH</sub> = 3.15V I <sub>OH</sub> = -4.0mA V <sub>DD</sub> = 4.5V, V <sub>SS</sub> = 0V (Pins D/F 1-13) (Pins C 2-19)	3.7	-	V
40 to 41	Output Voltage High Level 5	V <sub>OH5</sub>	3006	4(e)	V <sub>IL</sub> = 1.2V, V <sub>IH</sub> = 4.2V I <sub>OH</sub> = -5.2mA V <sub>DD</sub> = 6.0V, V <sub>SS</sub> = 0V (Pins D/F 1-13) (Pins C 2-19)	5.2	-	V
44 to 51	Input Clamp Voltage (to V <sub>SS</sub> )	V <sub>IC1</sub>	-	4(h)	I <sub>IN</sub> (Under Test) = -0.1mA V <sub>DD</sub> = Open, V <sub>SS</sub> = 0V All Other Pins Open (Pins D/F 2-3-4-5-9-10-11-12) (Pins C 3-4-6-8-13-14-16-18)	-0.1	-1.2	V
52 to 59	Input Clamp Voltage (to V <sub>DD</sub> )	V <sub>IC2</sub>	-	4(h)	I <sub>IN</sub> (Under Test) = 0.1mA V <sub>DD</sub> = 0V, V <sub>SS</sub> = Open, All Other Pins Open (Pins D/F 2-3-4-5-9-10-11-12) (Pins C 3-4-6-8-13-14-16-18)	0.1	1.2	V

**NOTES:** See Page 22.



**FIGURE 4 - CIRCUITS FOR ELECTRICAL MEASUREMENTS**

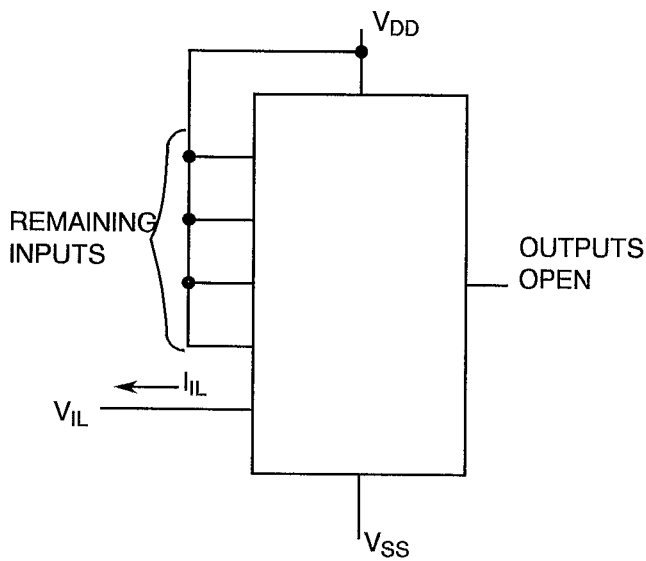
**FIGURE 4(a) - QUIESCENT CURRENT TEST TABLE**

PATTERN NO.	INPUTS								OUTPUTS	PACKAGE	D.C. SUPPLY		
	2 3	3 4	4 6	5 8	9 13	10 14	11 16	12 18	1 2	13 19	DIL, FP CCP	7 10	14 20
1	1	1	1	1	1	1	1	1	OPEN			$V_{SS}$	$V_{DD}$
2	0	0	0	0	0	0	0	0	OPEN			↓	↓

**NOTES**

- Figure 4 (a) illustrates one series of test patterns. Any other pattern series must be agreed with the Qualifying Space Agency and shall be included as an Appendix.
- Logic Level Definitions: 1 =  $V_{IH}$  =  $V_{DD}$ , 0 =  $V_{IL}$  =  $V_{SS}$ .

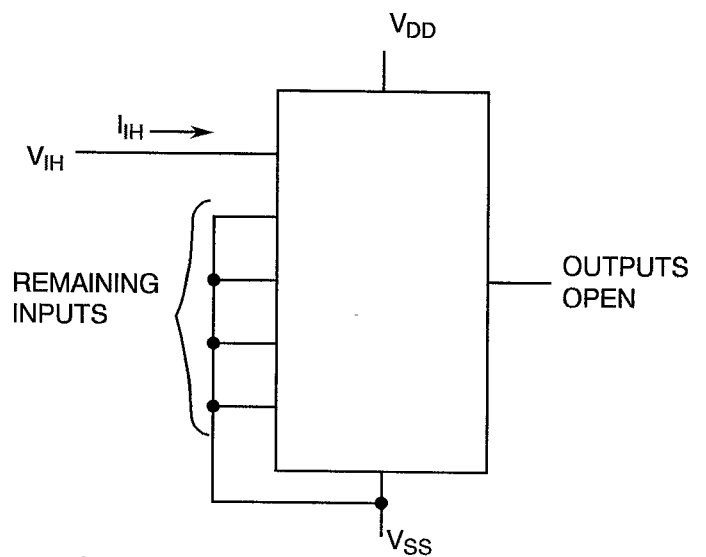
**FIGURE 4(b) - INPUT CURRENT LOW LEVEL**



**NOTES**

- Each input to be tested separately.

**FIGURE 4(c) - INPUT CURRENT HIGH LEVEL**



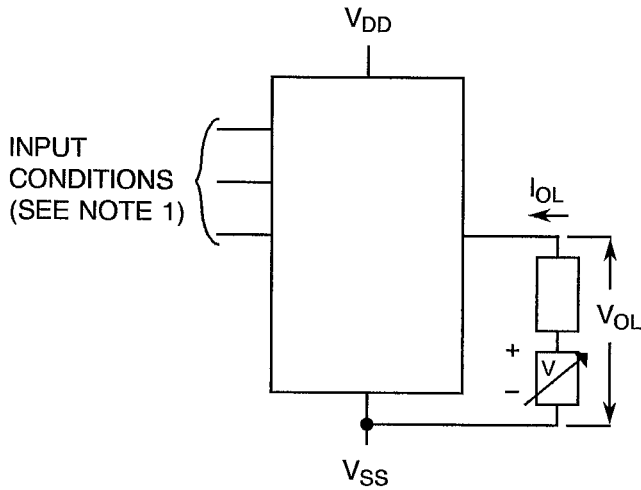
**NOTES**

- Each input to be tested separately.



**FIGURE 4 - CIRCUITS FOR ELECTRICAL MEASUREMENTS (CONTINUED)**

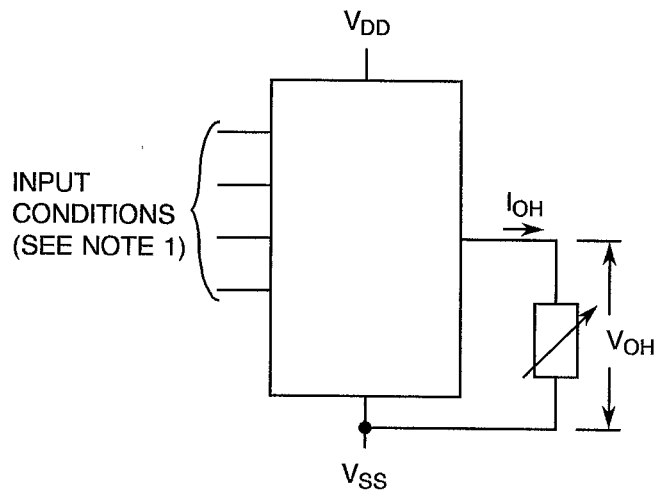
**FIGURE 4(d) - OUTPUT VOLTAGE LOW LEVEL**



**NOTES**

1.  $V_{IN} = V_{IL}$  (max.) and/or  $V_{IH}$  (min.) as per Truth Table to give  $V_{OL}$ .
2. Each output to be tested separately.

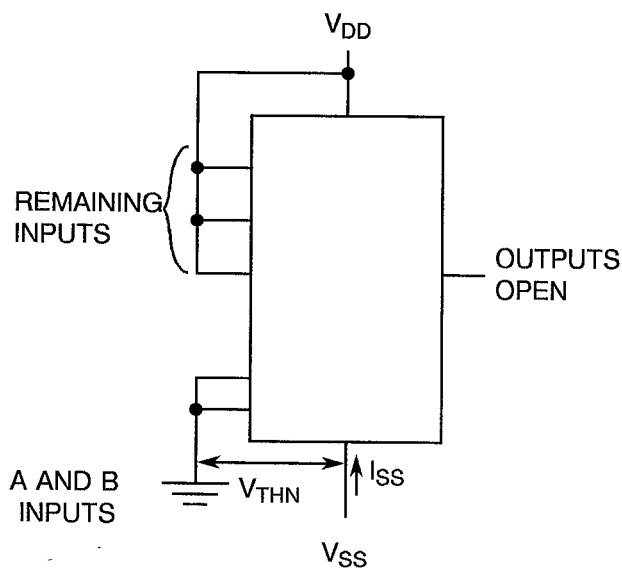
**FIGURE 4(e) - OUTPUT VOLTAGE HIGH LEVEL**



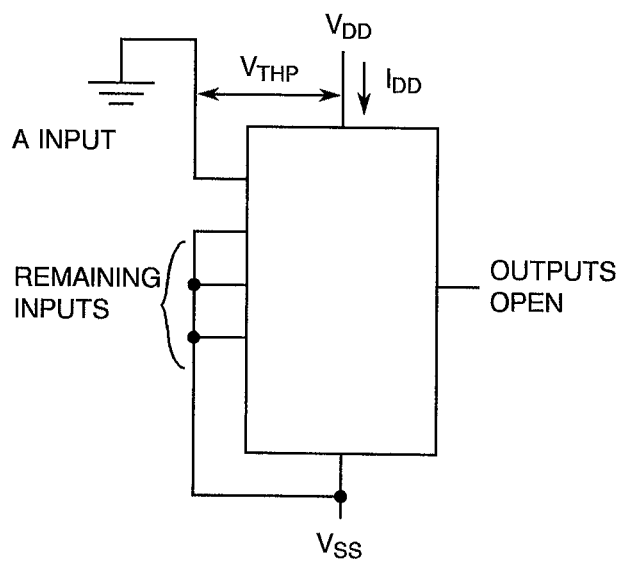
**NOTES**

1.  $V_{IN} = V_{IL}$  (max.) and/or  $V_{IH}$  (min.) as per Truth Table to give  $V_{OH}$ .
2. Each output to be tested separately.

**FIGURE 4(f) - THRESHOLD VOLTAGE N-CHANNEL**



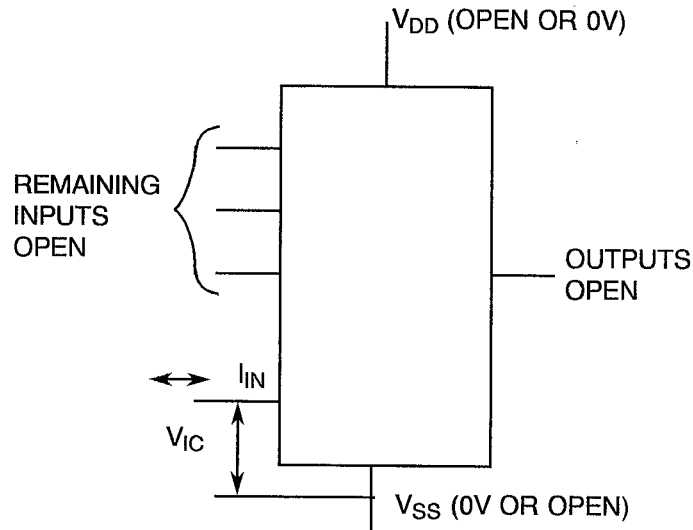
**FIGURE 4(g) - THRESHOLD VOLTAGE P-CHANNEL**





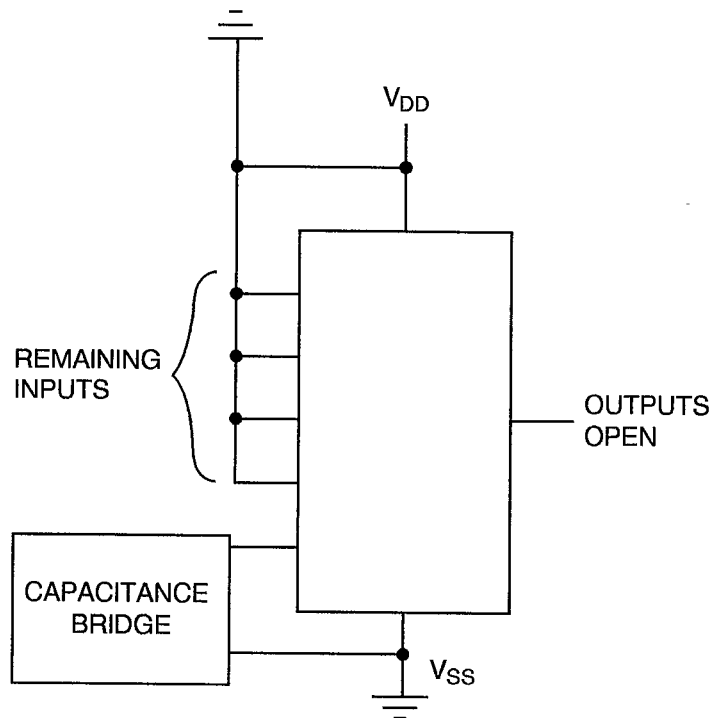
**FIGURE 4 - CIRCUITS FOR ELECTRICAL MEASUREMENTS (CONTINUED)**

**FIGURE 4(h) - INPUT CLAMP VOLTAGE**



**NOTES** 1. Each input to be tested separately.

**FIGURE 4(i) - INPUT CAPACITANCE**

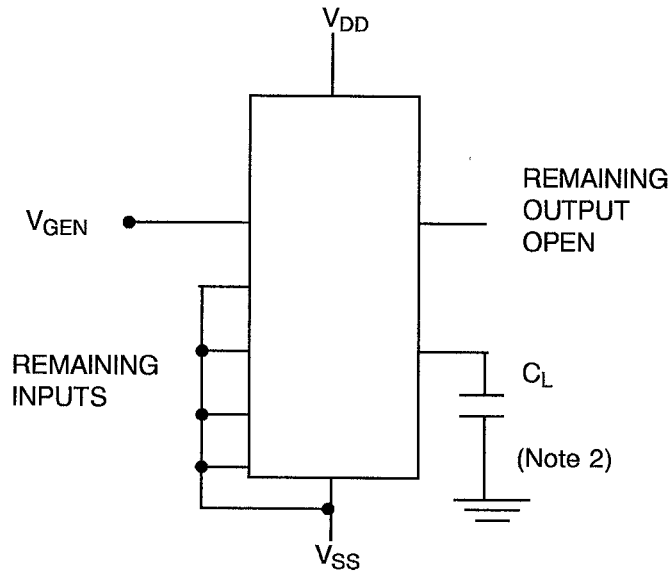


**NOTES** 1. Each input to be tested separately.  
2.  $f = 100\text{kHz}$  to  $1\text{MHz}$ .

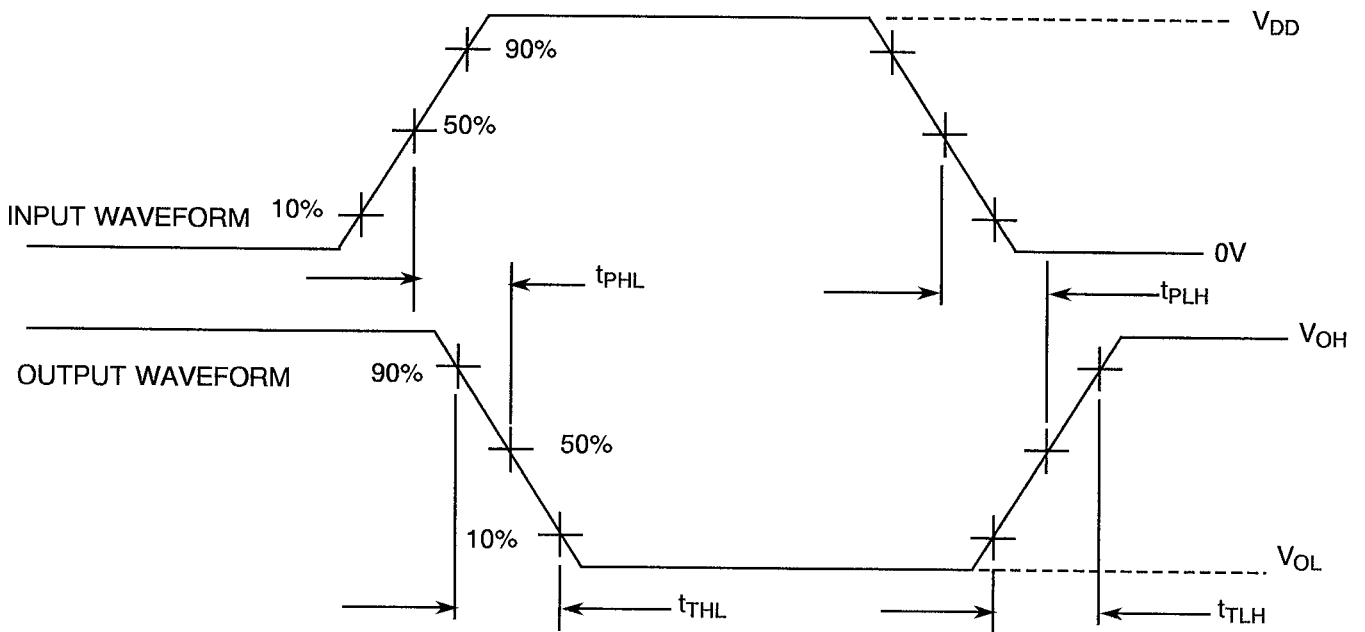


**FIGURE 4 - CIRCUITS FOR ELECTRICAL MEASUREMENTS (CONTINUED)**

**FIGURE 4(i) - PROPAGATION DELAY AND TRANSITION TIME**



**VOLTAGE WAVEFORMS**



**NOTES**

1. Pulse Generator -  $V_P = 0$  to  $V_{DD}$ ,  $t_r$  and  $t_f \leq 6\text{ns}$ ,  $f = 1.0\text{MHz}$  minimum, 50% Duty Cycle,  $Z_{OUT} = 50\Omega$ .
2.  $C_L = 50\text{pF} \pm 5\%$  including scope, wiring and stray capacitance without package in test fixture.

**TABLE 4 - PARAMETER DRIFT VALUES**

NO.	CHARACTERISTICS	SYMBOL	SPEC. AND/OR TEST METHOD	TEST CONDITIONS	CHANGE LIMITS ( $\Delta$ )	UNIT
4 to 5	Quiescent Current	$I_{DD}$	As per Table 2	As per Table 2	$\pm 120$	nA
6 to 13	Input Current Low Level	$I_{IL}$	As per Table 2	As per Table 2	$\pm 20$	nA
14 to 21	Input Current High Level	$I_{IH}$	As per Table 2	As per Table 2	$\pm 20$	nA
28 to 29	Output Voltage Low Level 4	$V_{OL4}$	As per Table 2	As per Table 2	$\pm 0.026$	V
38 to 39	Output Voltage High Level 4	$V_{OH4}$	As per Table 2	As per Table 2	$\pm 0.2$	V
42	Threshold Voltage N-Channel	$V_{THN}$	As per Table 2	As per Table 2	$\pm 0.3$	V
43	Threshold Voltage P-Channel	$V_{THP}$	As per Table 2	As per Table 2	$\pm 0.3$	V



**TABLE 5(a) - CONDITIONS FOR BURN-IN HIGH TEMPERATURE REVERSE BIAS, N-CHANNELS**

NO.	CHARACTERISTICS	SYMBOL	CONDITION	UNIT
1	Ambient Temperature	$T_{amb}$	+ 125(+ 0-5)	°C
2	Outputs - (Pins D/F 1-13) (Pins C 2-19)	$V_{OUT}$	Open or $V_{SS}$	-
3	Inputs - (Pins D/F 2-3-4-5-9-10-11-12) (Pins C 3-4-6-8-13-14-16-18)	$V_{IN}$	$V_{SS}$	V
4	Positive Supply Voltage (Pin D/F 14) (Pin C 20)	$V_{DD}$	6.0(+ 0-0.5)	V
5	Negative Supply Voltage (Pin D/F 7) (Pin C 10)	$V_{SS}$	0	V
6	Duration	t	72	Hours

**NOTES**

1. Input Protection Resistor = 680 $\Omega$  min. to 47k $\Omega$  max.
2. Output Load = 1k $\Omega$ min. to 10k $\Omega$  max.

**TABLE 5(b) - CONDITIONS FOR BURN-IN HIGH TEMPERATURE REVERSE BIAS, P-CHANNELS**

NO.	CHARACTERISTICS	SYMBOL	CONDITION	UNIT
1	Ambient Temperature	$T_{amb}$	+ 125(+ 0-5)	°C
2	Outputs - (Pins D/F 1-13) (Pins C 2-19)	$V_{OUT}$	Open or $V_{DD}$	-
3	Inputs - (Pins D/F 2-3-4-5-9-10-11-12) (Pins C 3-4-6-8-13-14-16-18)	$V_{IN}$	$V_{DD}$	V
4	Positive Supply Voltage (Pin D/F 14) (Pin C 20)	$V_{DD}$	6.0(+ 0-0.5)	V
5	Negative Supply Voltage (Pin D/F 7) (Pin C 10)	$V_{SS}$	0	V
6	Duration	t	72	Hours

**NOTES**

1. Input Protection Resistor = 680 $\Omega$  min. to 47k $\Omega$  max.
2. Output Load = 1k $\Omega$  min. to 10k $\Omega$  max.

**TABLE 5(c) - CONDITIONS FOR POWER BURN-IN AND OPERATING LIFE TEST**

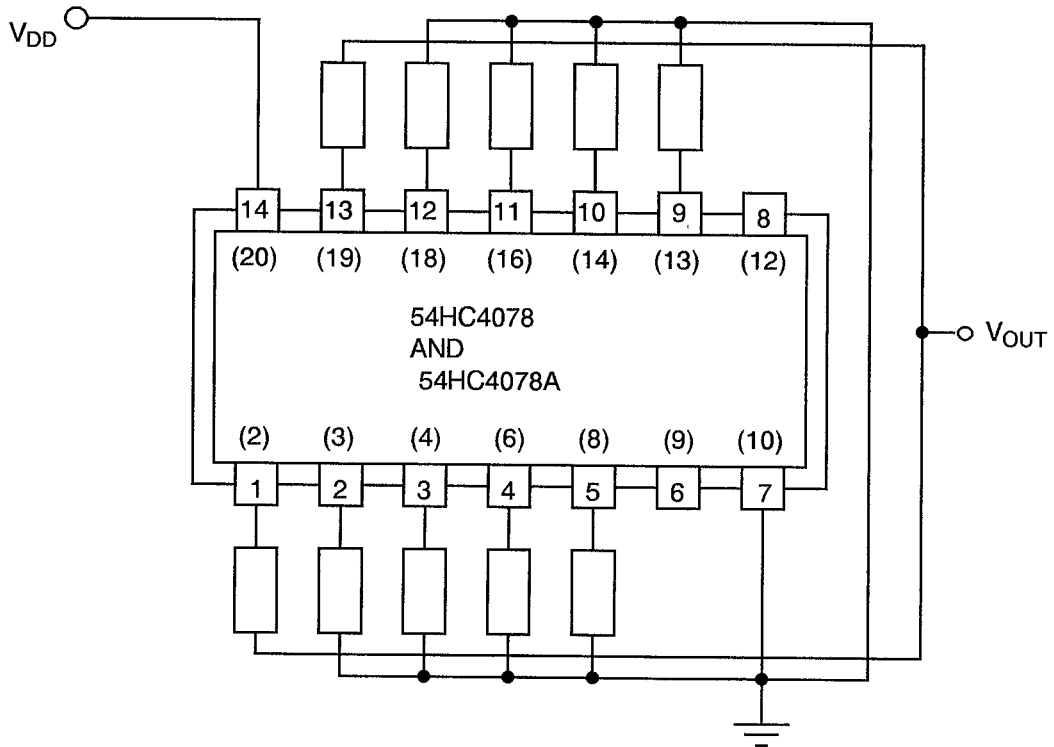
NO.	CHARACTERISTICS	SYMBOL	CONDITIONS	UNIT
1	Ambient Temperature	$T_{amb}$	+125(+0-5)	°C
2	Outputs - (Pins D/F 1-13) (Pins C 2-19)	$V_{OUT}$	$V_{DD}$	V
3	Inputs - (Pins D/F 2-4-9-11) (Pins C 3-6-13-16)	$V_{IN}$	$V_{SS}$	V
4	Inputs - (Pins D/F 3-5-10-12) (Pins C 4-8-14-18)	$V_{IN}$	$V_{GEN}$	Vac
5	Pulse Voltage	$V_{GEN}$	0V to $V_{DD}$	Vac
6	Pulse Frequency Square Wave	f	100k ± 10% 50 ± 15% Duty Cycle $t_r = t_f \leq 400ns$	Hz
7	Positive Supply Voltage (Pin D/F 14) (Pin C 20)	$V_{DD}$	6.0(+0-0.5)	V
8	Negative Supply Voltage (Pin D/F 7) (Pin C 10)	$V_{SS}$	0	V

**NOTES**

1. Input Protection Resistor = 680Ω min. to 47kΩ max.
2. Output Load = 1kΩ min. to 10kΩ max.

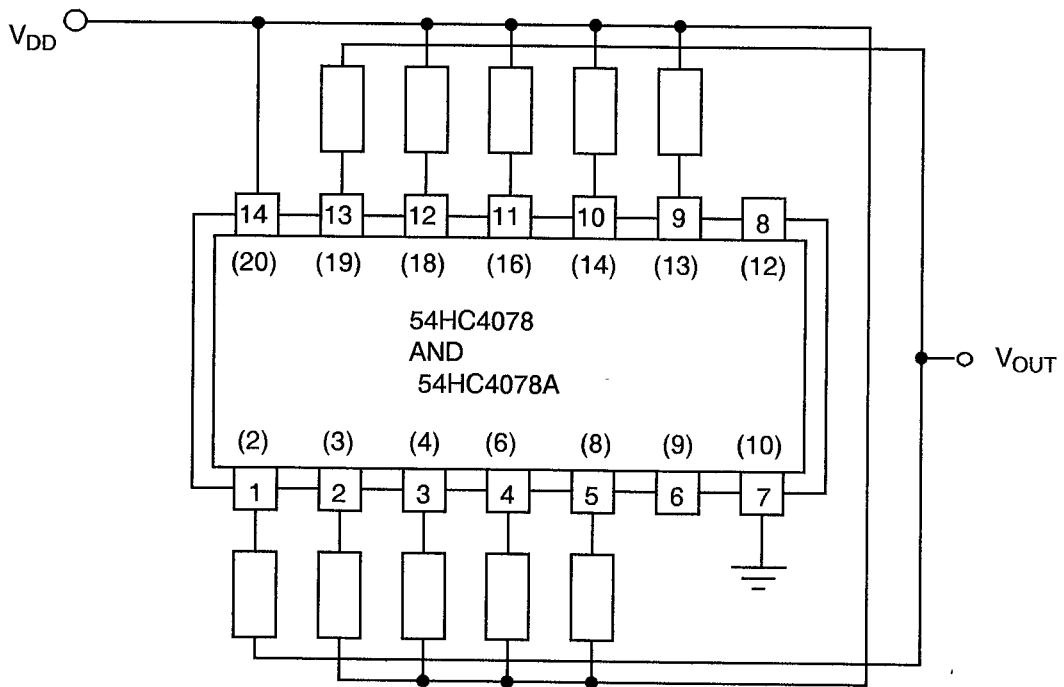


**FIGURE 5(a) - ELECTRICAL CIRCUIT FOR BURN-IN HIGH TEMPERATURE REVERSE BIAS, N-CHANNELS**



**NOTES** 1. Pin numbers in parenthesis are for the chip carrier package.

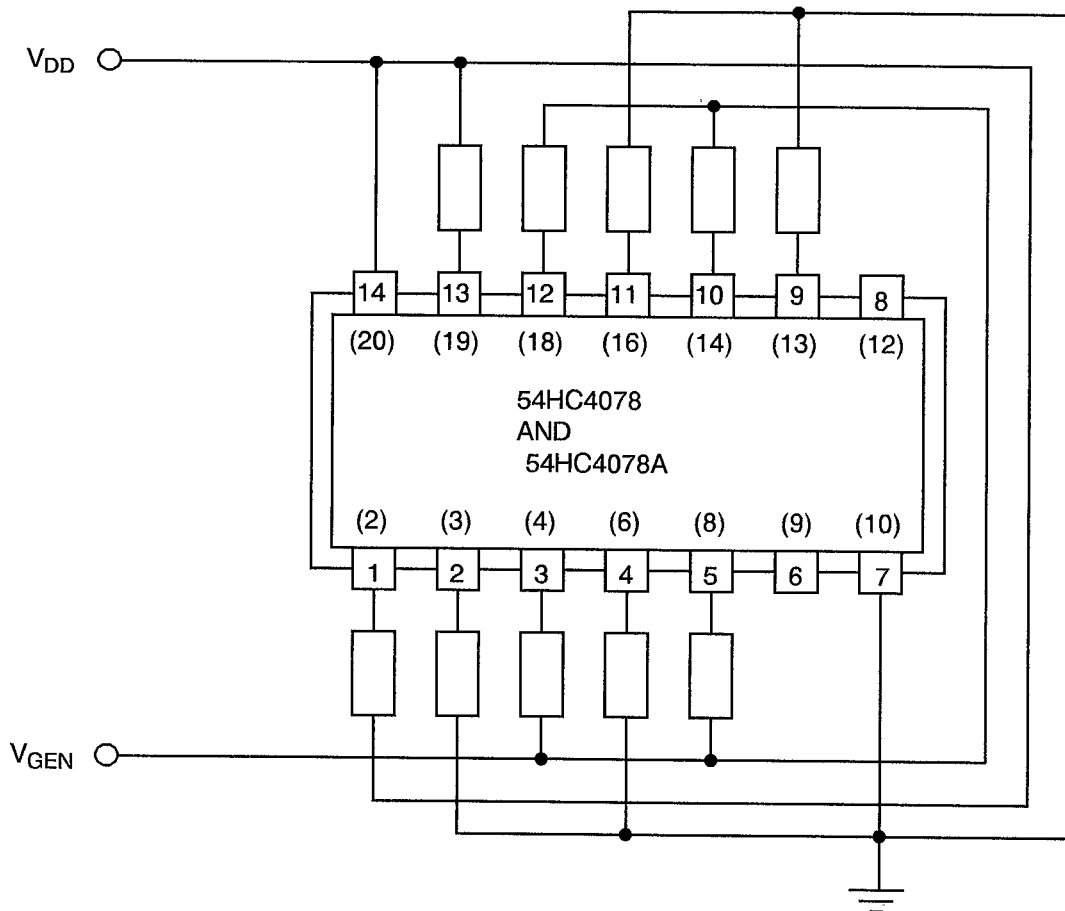
**FIGURE 5(b) - ELECTRICAL CIRCUIT FOR BURN-IN HIGH TEMPERATURE REVERSE BIAS, P-CHANNELS**



**NOTES** 1. Pin numbers in parenthesis are for the chip carrier package.



**FIGURE 5(c) - ELECTRICAL CIRCUIT FOR POWER BURN-IN AND OPERATING LIFE TEST**



**NOTES** 1. Pin numbers in parenthesis are for the chip carrier package.



- 4.8 ENVIRONMENTAL AND ENDURANCE TESTS (CHARTS IV AND V OF ESA/SCC GENERIC SPECIFICATION NO. 9000)
- 4.8.1 Electrical Measurements on Completion of Environmental Tests  
The parameters to be measured on completion of environmental tests are scheduled in Table 6. Unless otherwise stated, the measurements shall be performed at  $T_{amb} = +22 \pm 3$  °C.
- 4.8.2 Electrical Measurements at Intermediate Points during Endurance Tests  
The parameters to be measured at intermediate points during endurance tests are as scheduled in Table 6 of this specification. Unless otherwise stated, the measurements shall be performed at  $T_{amb} = +22 \pm 3$  °C.
- 4.8.3 Electrical Measurements on Completion of Endurance Tests  
The parameters to be measured on completion of endurance testing are as scheduled in Table 6 of this specification. Unless otherwise stated, the measurements shall be performed at  $T_{amb} = +22 \pm 3$  °C.
- 4.8.4 Conditions for Operating Life Tests  
The requirements for operating life testing are specified in Section 9 of ESA/SCC Generic Specification No. 9000. The conditions for operating life testing shall be as specified in Table 5(c) of this specification.
- 4.8.5 Electrical Circuits for Operating Life Tests  
Circuits for use in performing the operating life tests are shown in Figure 5(c) of this specification.
- 4.8.6 Conditions for High Temperature Storage Test  
The requirements for the high temperature storage test are specified in ESA/SCC Generic Specification No. 9000. The temperature to be applied shall be the maximum storage temperature specified in Table 1(b) of this specification.
- 4.9 TOTAL DOSE IRRADIATION TESTING
- 4.9.1 Application  
If specified in Para. 4.2.1 of this specification, total dose irradiation testing shall be performed in accordance with the requirements of ESA/SCC Basic Specification No. 22900.
- 4.9.2 Bias Conditions  
Continuous bias shall be applied during irradiation testing as shown in Figure 6 of this specification.
- 4.9.3 Electrical Measurements  
The parameters to be measured prior to irradiation exposure are scheduled in Table 2 of this specification. Only devices which meet the requirements of Table 2 shall be included in the test sample.  
  
The parameters to be measured during and on completion of irradiation testing are scheduled in Table 7 of this specification.

**TABLE 6 - ELECTRICAL MEASUREMENTS ON COMPLETION OF ENVIRONMENTAL TESTS AND AT INTERMEDIATE POINTS AND ON COMPLETION OF ENDURANCE TESTING**

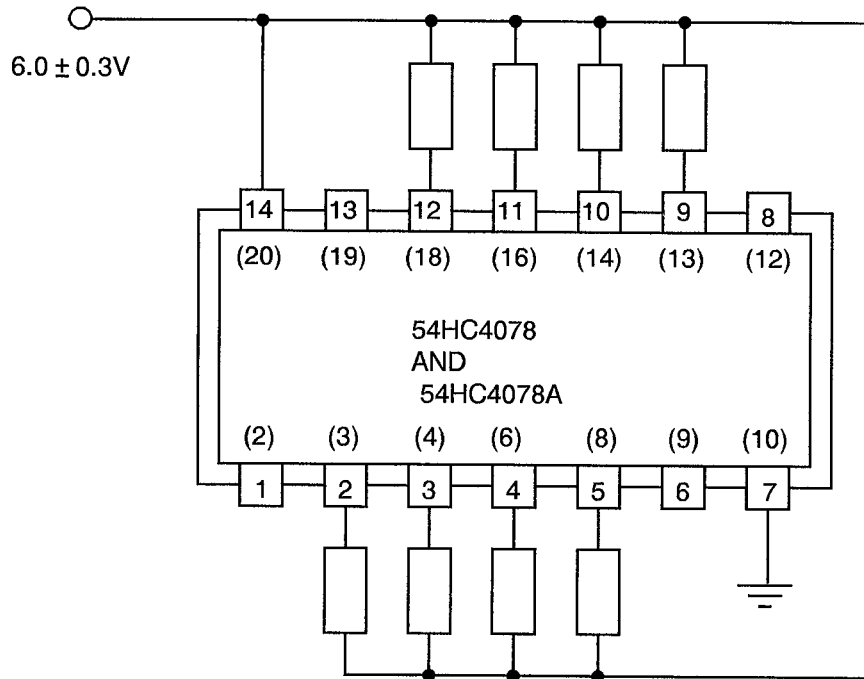
NO.	CHARACTERISTICS	SYMBOL	SPEC. AND/OR TEST METHOD	TEST CONDITIONS	CHANGE LIMITS ( $\Delta$ ) (NOTE 1)	ABSOLUTE		UNIT
						MIN	MAX	
1	Functional Test 1	-	As per Table 2	As per Table 2	-	-	-	-
2	Functional Test 2	-	As per Table 2	As per Table 2	-	-	-	-
3	Functional Test 3	-	As per Table 2	As per Table 2	-	-	-	-
4 to 5	Quiescent Current	$I_{DD}$	As per Table 2	As per Table 2	$\pm 0.12$	-	0.4	$\mu A$
6 to 13	Input Current Low Level	$I_{IL}$	As per Table 2	As per Table 2	$\pm 20$	-	-50	nA
14 to 21	Input Current High Level	$I_{IH}$	As per Table 2	As per Table 2	$\pm 20$	-	50	nA
28 to 29	Output Voltage Low Level 4	$V_{OL4}$	As per Table 2	As per Table 2	$\pm 0.026$	-	0.26	V
30 to 31	Output Voltage Low Level 5	$V_{OL5}$	As per Table 2	As per Table 2	$\pm 0.026$	-	0.26	V
38 to 39	Output Voltage High Level 4	$V_{OH4}$	As per Table 2	As per Table 2	$\pm 0.2$	3.98	-	V
40 to 41	Output Voltage High Level 5	$V_{OH5}$	As per Table 2	As per Table 2	$\pm 0.2$	5.48	-	V
42	Threshold Voltage N-Channel	$V_{THN}$	As per Table 2	As per Table 2	$\pm 0.3$	-0.45	-1.45	V
43	Threshold Voltage P-Channel	$V_{THP}$	As per Table 2	As per Table 2	$\pm 0.3$	0.45	1.35	V

**NOTES**

1. The change limits ( $\Delta$ ) are applicable to the Operating Life test only. The change in parameters between initial and end point measurements shall not exceed the limits given. In addition, the absolute limits shall not be exceeded.



**FIGURE 6 - BIAS CONDITIONS FOR IRRADIATION TESTING**



**NOTES**

1. Pin numbers in parenthesis are for the chip carrier package.
2. Input Protection Resistor = 680Ω min. to 47kΩ max.



**TABLE 7 - ELECTRICAL MEASUREMENT DURING AND ON COMPLETION OF IRRADIATION TESTING**

NO.	CHARACTERISTICS	SYMBOL	SPEC. AND/OR TEST METHOD	TEST CONDITIONS	CHANGE LIMITS ( $\Delta$ )	ABSOLUTE		UNIT
						MIN	MAX	
4 to 5	Quiescent Current	$I_{DD}$	As per Table 2	As per Table 2	-	-	40	$\mu A$
42	Threshold Voltage N-Channel	$V_{THN}$	As per Table 2	As per Table 2	$\pm 0.6$	-0.4	-1.5	V
43	Threshold Voltage P-Channel	$V_{THP}$	As per Table 2	As per Table 2	$\pm 0.6$	0.4	1.4	V





**SCC**

ESA/SCC Detail Specification  
No. 9201/123

PAGE 40

ISSUE 1

**APPENDIX 'A'**

Page 1 of 1

AGREED DEVIATIONS FOR TEXAS INSTRUMENTS (F)

ITEMS AFFECTED	DESCRIPTION OF DEVIATIONS
Para. 4.2.3	Para. 9.9.2, "Electrical Measurements at High and Low Temperatures": Only a test result summary, based on go-no-go- tests and presented in histogram form is required.



ESA/SCC Detail Specification  
No. 9201/123

Rev. 'B'

PAGE 41

ISSUE 1

**APPENDIX 'B'**

Page 1 of 1

**AGREED DEVIATIONS FOR STMICROELECTRONICS (F)**

ITEMS AFFECTED	DESCRIPTION OF DEVIATIONS
Para. 4.2.3	Para. 7.1.1(b): Power Burn-in test is performed using SGS-Thomson Specification Ref.: 0019255.
Para. 4.2.3	Para. 9.23, High Temperature Reverse Bias Burn-in: The temperature limits of MIL-STD-883, Para. 4.5.8(c) may be used. Para. 9.24, Power Burn-in: The temperature limits of MIL-STD-883, Para. 4.5.8(c) may be used.
Para. 4.2.4	Para. 9.21.1, Operating Life During Qualification Testing: The temperature limits of MIL-STD-883, Para. 4.5.8(c) may be used.
Para. 4.2.5	Para. 9.21.2, Operating Life Test During Lot Acceptance Testing: The temperature limits of MIL-STD-883, Para. 4.5.8(c) may be used.