



europaean space agency
agence spatiale européenne

Pages 1 to 41

**INTEGRATED CIRCUITS, SILICON MONOLITHIC,
ADVANCED CMOS OCTAL D-TYPE,
TRANSPARENT LATCHES
WITH 3-STATE OUTPUTS,
BASED ON TYPE 54ACT373**

ESA/SCC Detail Specification No. 9203/074



**space components
coordination group**

| Issue/Rev. | Date | Approved by | |
|------------|----------------|----------------|---------------------------------------|
| | | SCCG Chairman | ESA Director General or his Deputy |
| Issue 1 | September 1993 | <i>Pommers</i> | <i>[Signature]</i> |
| | | | |
| | | | |
| | | | |



ESA/SCC Detail Specification
No. 9203/074

PAGE 2

ISSUE 1

DOCUMENTATION CHANGE NOTICE

| Rev. Letter | Rev. Date | Reference | CHANGE Item | Approved DCR No. |
|----------------|--------------|-----------|----------------|---------------------|
| | | | | |

**TABLE OF CONTENTS**

| | <u>Page</u> |
|---|-------------|
| 1. <u>GENERAL</u> | 5 |
| 1.1 Scope | 5 |
| 1.2 Component Type Variants | 5 |
| 1.3 Maximum Ratings | 5 |
| 1.4 Parameter Derating Information | 5 |
| 1.5 Physical Dimensions | 5 |
| 1.6 Pin Assignment | 5 |
| 1.7 Truth Table | 5 |
| 1.8 Circuit Schematic | 5 |
| 1.9 Functional Diagram | 5 |
| 1.10 Handling Precautions | 5 |
| 1.11 Input and Output Protection Networks | 5 |
| 2. <u>APPLICABLE DOCUMENTS</u> | 13 |
| 3. <u>TERMS, DEFINITIONS, ABBREVIATIONS, SYMBOLS AND UNITS</u> | 13 |
| 4. <u>REQUIREMENTS</u> | 13 |
| 4.1 General | 13 |
| 4.2 Deviations from Generic Specification | 13 |
| 4.2.1 Deviations from Special In-process Controls | 13 |
| 4.2.2 Deviations from Final Production Tests | 13 |
| 4.2.3 Deviations from Burn-in Tests | 13 |
| 4.2.4 Deviations from Qualification Tests | 13 |
| 4.2.5 Deviations from Lot Acceptance Tests | 14 |
| 4.3 Mechanical Requirements | 14 |
| 4.3.1 Dimension Check | 14 |
| 4.3.2 Weight | 14 |
| 4.4 Materials and Finishes | 14 |
| 4.4.1 Case | 14 |
| 4.4.2 Lead Material and Finish | 14 |
| 4.5 Marking | 14 |
| 4.5.1 General | 14 |
| 4.5.2 Lead Identification | 14 |
| 4.5.3 The SCC Component Number | 15 |
| 4.5.4 Traceability Information | 15 |
| 4.6 Electrical Measurements | 15 |
| 4.6.1 Electrical Measurements at Room Temperature | 15 |
| 4.6.2 Electrical Measurements at High and Low Temperatures | 15 |
| 4.6.3 Circuits for Electrical Measurements | 15 |
| 4.7 Burn-in Tests | 15 |
| 4.7.1 Parameter Drift Values | 15 |
| 4.7.2 Conditions for H.T.R.B. and Power Burn-in | 15 |
| 4.7.3 Electrical Circuits for H.T.R.B. and Power Burn-in | 15 |
| 4.8 Environmental and Endurance Tests | 38 |
| 4.8.1 Electrical Measurements on Completion of Environmental Tests | 38 |
| 4.8.2 Electrical Measurements at Intermediate Points during Endurance Tests | 38 |
| 4.8.3 Electrical Measurements on Completion of Endurance Tests | 38 |
| 4.8.4 Conditions for Operating Life Tests | 38 |
| 4.8.5 Electrical Circuits for Operating Life Tests | 38 |
| 4.8.6 Conditions for High Temperature Storage Test | 38 |



| | <u>Page</u> |
|------------------------------------|-------------|
| 4.9 Total Dose Irradiation Testing | 38 |
| 4.9.1 Application | 38 |
| 4.9.2 Bias Conditions | 38 |
| 4.9.3 Electrical Measurements | 38 |

TABLES

| | |
|--|----|
| 1(a) Type Variants | 6 |
| 1(b) Maximum Ratings | 6 |
| 2 Electrical Measurements at Room Temperature - d.c. Parameters | 16 |
| Electrical Measurements at Room Temperature - a.c. Parameters | 19 |
| 3(a) Electrical Measurements at High Temperature | 22 |
| 3(b) Electrical Measurements at Low Temperature | 25 |
| 4 Parameter Drift Values | 33 |
| 5(a) Conditions for Burn-in High Temperature Reverse Bias, N-Channels | 34 |
| 5(b) Conditions for Burn-in High Temperature Reverse Bias, P-Channels | 34 |
| 5(c) Conditions for Power Burn-in and Operating Life Tests | 35 |
| 6 Electrical Measurements on Completion of Environmental Tests and at Intermediate Points and on Completion of Endurance Testing | 39 |
| 7 Electrical Measurements During and on Completion of Irradiation Testing | 40 |

FIGURES

| | |
|---|----|
| 1 Not applicable | |
| 2 Physical Dimensions | 7 |
| 3(a) Pin Assignment | 11 |
| 3(b) Truth Table | 11 |
| 3(c) Circuit Schematic | 12 |
| 3(d) Functional Diagram | 12 |
| 3(e) Input and Output Protection Networks | 12 |
| 4 Circuits for Electrical Measurements | 28 |
| 5(a) Electrical Circuit for Burn-in High Temperature Reverse Bias, N-Channels | 36 |
| 5(b) Electrical Circuit for Burn-in High Temperature Reverse Bias, P-Channels | 36 |
| 5(c) Electrical Circuit for Power Burn-in and Operating Life Tests | 37 |
| 6 Bias Conditions for Irradiation Testing | 40 |

APPENDICES (Applicable to specific Manufacturers only)

| | |
|--|----|
| 'A' AGREED DEVIATIONS FOR MOTOROLA (F) | 41 |
|--|----|

**1. GENERAL****1.1 SCOPE**

This specification details the ratings, physical and electrical characteristics, test and inspection data for a silicon, monolithic, advanced CMOS Octal D-Type, Transparent Latch with 3-State Outputs, based on Type 54ACT373. It shall be read in conjunction with ESA/SCC Generic Specification No. 9000, the requirements of which are supplemented herein.

1.2 COMPONENT TYPE VARIANTS

Variants of the basic type integrated circuits specified herein, which are also covered by this specification, are given in Table 1(a).

1.3 MAXIMUM RATINGS

The maximum ratings, which shall not be exceeded at any time during use or storage, applicable to the integrated circuits specified herein, are as scheduled in Table 1(b).

1.4 PARAMETER DERATING INFORMATION (FIGURE 1)

Not applicable.

1.5 PHYSICAL DIMENSIONS

As per Figure 2.

1.6 PIN ASSIGNMENT

As per Figure 3(a).

1.7 TRUTH TABLE

As per Figure 3(b).

1.8 CIRCUIT SCHEMATIC

As per Figure 3(c).

1.9 FUNCTIONAL DIAGRAM

As per Figure 3(d).

1.10 HANDLING PRECAUTIONS

These devices are susceptible to damage by electrostatic discharge. Therefore, suitable precautions shall be employed for protection during all phases of manufacture, testing, packaging, shipment and any handling.

These components are categorised as Class 2 with a Minimum Critical Path Failure Voltage of 4000 Volts.

1.11 INPUT AND OUTPUT PROTECTION NETWORKS

Protection networks shall be incorporated into each input and output as shown in Figure 3(e).

**TABLE 1(a) - TYPE VARIANTS**

| VARIANT | CASE | FIGURE | LEAD MATERIAL AND/OR FINISH |
|---------|--------------|--------|-----------------------------|
| 01 | D.I.L. | 2(a) | G4 |
| 02 | FLAT | 2(b) | G4 |
| 03 | CHIP CARRIER | 2(c) | 2 |
| 04 | CHIP CARRIER | 2(c) | 4 |

TABLE 1(b) - MAXIMUM RATINGS

| No. | CHARACTERISTICS | SYMBOL | MAXIMUM RATINGS | UNITS | REMARKS |
|-----|--|------------|-------------------------|----------|------------------|
| 1 | Supply Voltage | V_{DD} | - 0.5 to + 6.0 | V | Note 1 |
| 2 | Input Voltage | V_{IN} | - 0.5 to $V_{DD} + 0.5$ | V | Notes 1, 2 |
| 3 | Output Voltage | V_{OUT} | - 0.5 to $V_{DD} + 0.5$ | V | Notes 1, 3 |
| 4 | Device Dissipation (Continuous) | P_D | 1056 | mW | Note 4 |
| 5 | Supply Current | I_{DDop} | 192 | mA | |
| 6 | Operating Temperature Range | T_{op} | - 55 to + 125 | °C | T_{amb} |
| 7 | Storage Temperature Range | T_{stg} | - 65 to + 150 | °C | |
| 8 | Soldering Temperature For FP and DIP For CCP | T_{sol} | + 265 + 245 | °C °C | Note 5 Note 6 |

NOTES

- Device is functional for $4.5V \leq V_{DD} \leq 5.5V$.
- Input current limited to $I_{IC} = \pm 20mA$.
- Output current limited to $I_{OUT} = \pm 50mA$.
- The maximum device dissipation is determined by $I_{DDop} \text{ max. (mA)} \times 5.5V$.
- Duration 10 seconds maximum at a distance of not less than 1.5mm from the device body and the same lead shall not be resoldered until 3 minutes have elapsed.
- Duration 5 seconds maximum and the same terminal shall not be resoldered until 3 minutes have elapsed.

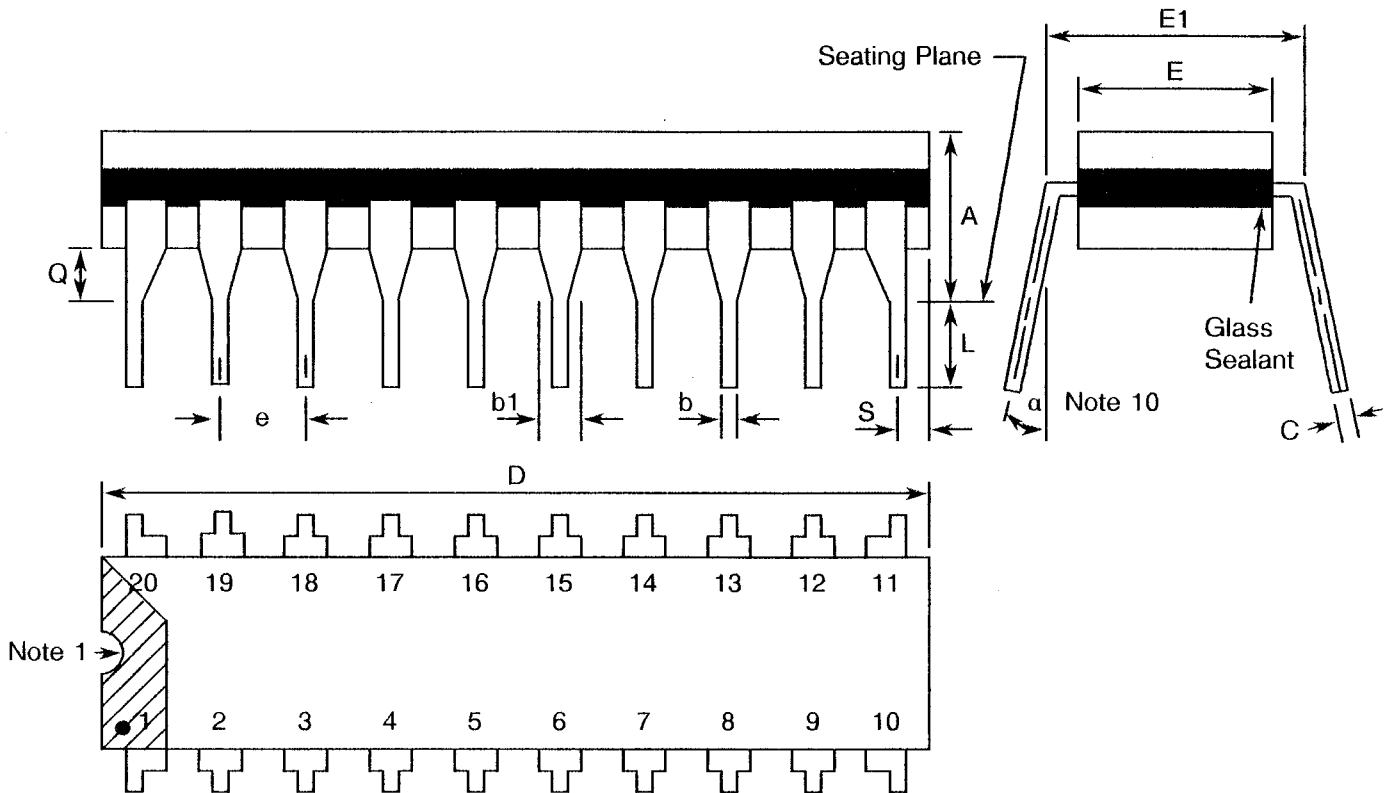
FIGURE 1 - PARAMETER DERATING INFORMATION

Not applicable.



FIGURE 2 - PHYSICAL DIMENSIONS

FIGURE 2(a) - DUAL-IN-LINE PACKAGE, 20-PIN



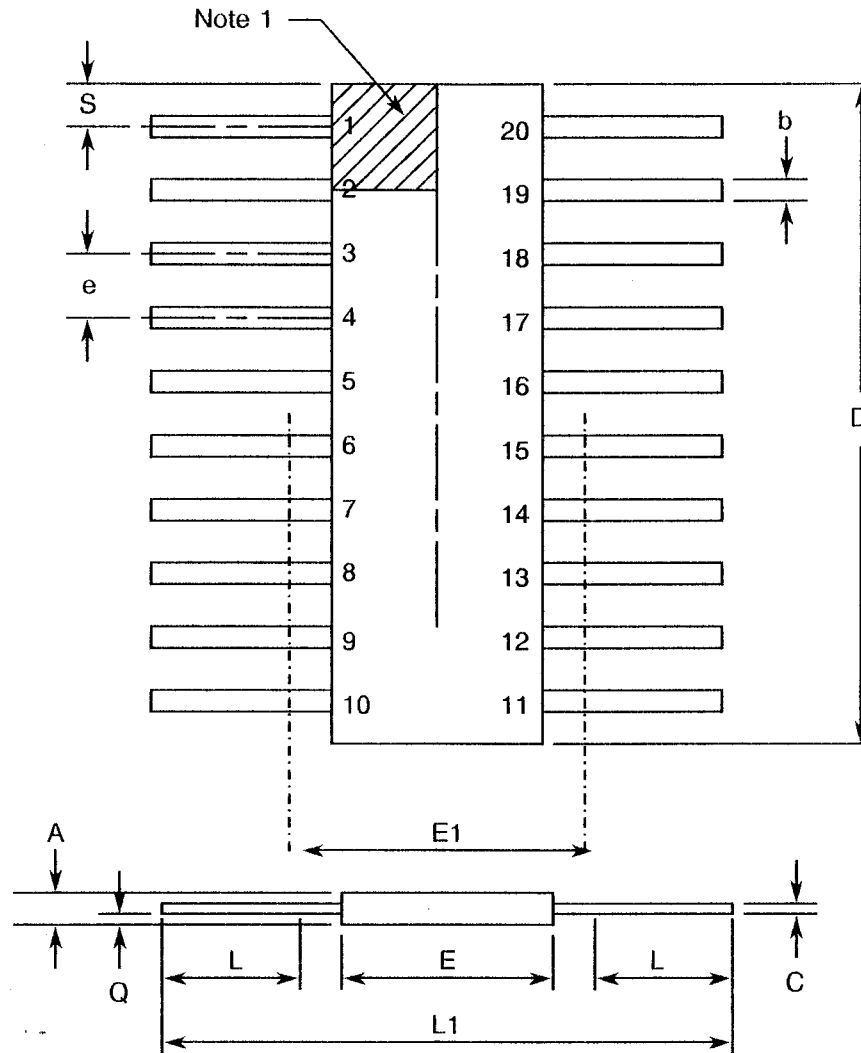
| SYMBOL | MILLIMETRES | | NOTES |
|--------|--------------|-------|-------|
| | MIN | MAX | |
| A | - | 5.08 | |
| b | 0.35 | 0.56 | 8 |
| b1 | 1.40 | 1.77 | 8 |
| C | 0.20 | 0.38 | 8 |
| D | 23.88 | 25.15 | 4 |
| E | 6.10 | 7.49 | 4 |
| E1 | 7.62 TYPICAL | | |
| e | 2.54 TYPICAL | | 6, 9 |
| L | 3.10 | 4.31 | 8 |
| Q | 0.25 | 1.02 | 3 |
| S | 0.51 | 1.27 | 7 |
| a | 0° | 15° | 10 |

NOTES: See Page 10.



FIGURE 2 - PHYSICAL DIMENSIONS (CONTINUED)

FIGURE 2(b) - FLAT PACKAGE, 20-PIN



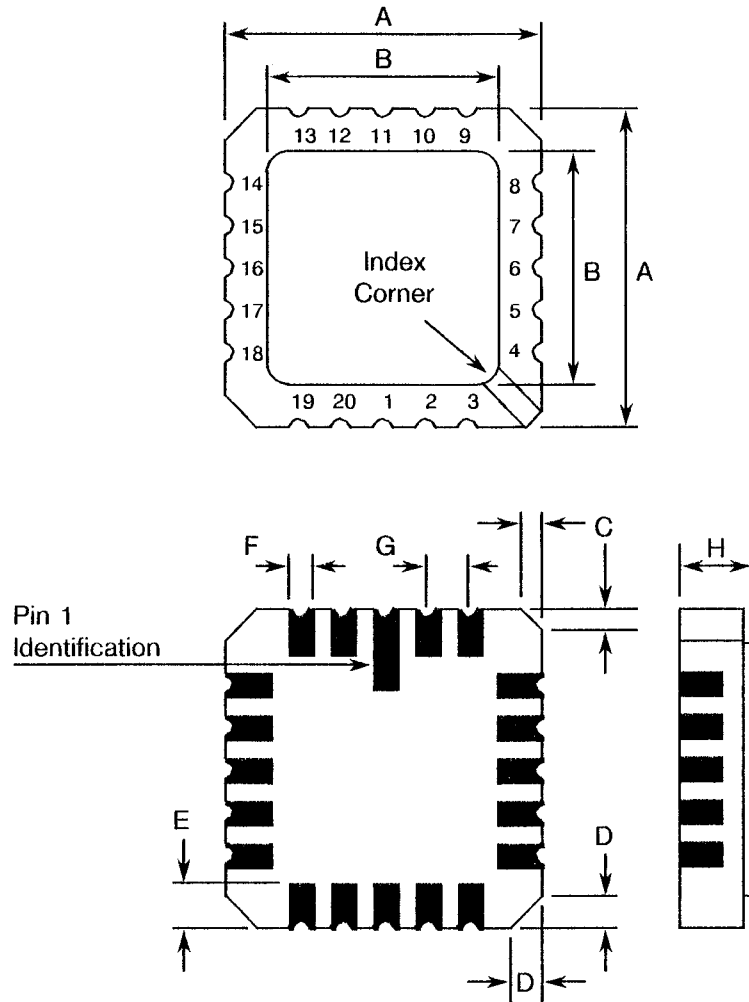
| SYMBOL | MILLIMETRES | | NOTES |
|--------|--------------|-------|-------|
| | MIN | MAX | |
| A | 1.52 | 2.16 | |
| b | 0.36 | 0.56 | 8 |
| C | 0.08 | 0.17 | 8 |
| D | - | 13.08 | 4 |
| E | 5.84 | 7.24 | |
| E1 | 7.61 TYPICAL | | 4 |
| e | 1.27 TYPICAL | | 5, 9 |
| L | 5.84 | 9.14 | 8 |
| L1 | 18.93 | 25.39 | |
| Q | - | 1.02 | 2 |
| S | - | 1.40 | 7 |

NOTES: See Page 10.



FIGURE 2 - PHYSICAL DIMENSIONS (CONTINUED)

FIGURE 2(c) - SQUARE CHIP CARRIER PACKAGE, 20 TERMINAL



| SYMBOL | MILLIMETRES | | NOTES |
|--------|--------------|------|-------|
| | MIN | MAX | |
| A | 8.69 | 9.09 | |
| B | 7.80 | 9.09 | |
| C | 0.25 | 0.51 | 11 |
| D | 0.89 | 1.14 | 12 |
| E | 1.14 | 1.40 | 8 |
| F | 0.56 | 0.71 | 8 |
| G | 1.27 TYPICAL | | 5, 9 |
| H | 1.63 | 2.54 | |

NOTES: See Page 10.

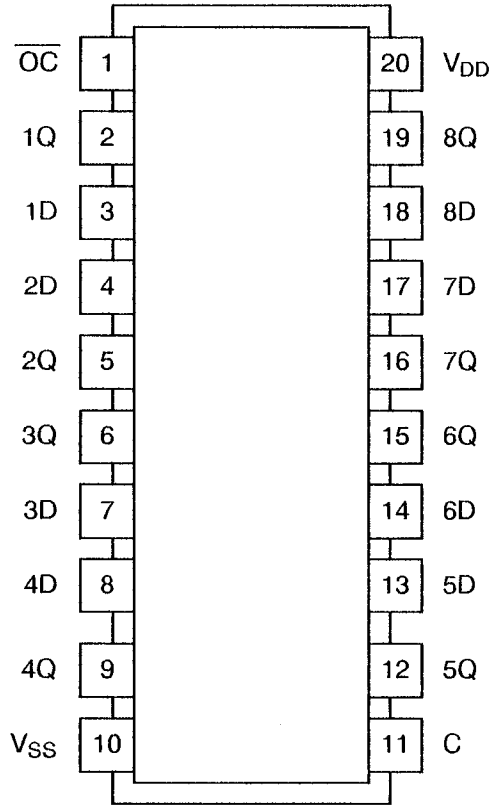
**FIGURE 2 - PHYSICAL DIMENSIONS (CONTINUED)****NOTES TO FIGURES 2(a) TO 2(c) INCLUSIVE**

1. Index area: a notch, letter or dot shall be located adjacent to Pin 1 and shall be within the shaded area shown. For chip carrier packages the index shall be as defined in Figure 2(c).
2. Dimension Q shall be measured at the point of exit of the lead from the body.
3. The dimension shall be measured from the seating plane to the base plane.
4. The dimension allows for off-centre lids, meniscus and glass overrun.
5. The true position pin or terminal spacing is 1.27mm between centrelines. Each pin or terminal centreline shall be located within $\pm 0.13\text{mm}$ of its true longitudinal position relative to Pin 1 and the highest pin number.
6. The true position pin spacing is 2.54mm between centrelines. Each pin centreline shall be located within $\pm 0.25\text{mm}$ of its true longitudinal position relative to Pin 1 and the highest pin number.
7. Applies to all 4 corners.
8. All leads or terminals.
9. 18 spaces for flat and dual-in-line packages.
16 spaces for chip carrier packages.
10. Lead centreline when α is 0° .
11. Index corner only - 2 dimensions.
12. 3 non-index corners - 6 dimensions.



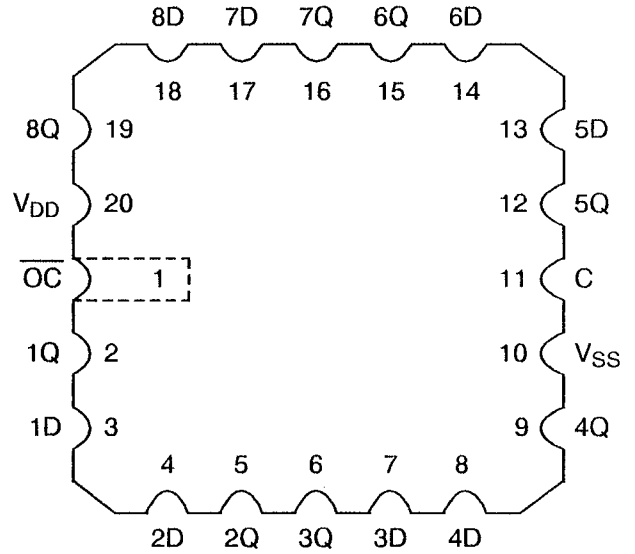
FIGURE 3(a) - PIN ASSIGNMENT

DUAL-IN-LINE AND FLAT PACKAGE



TOP VIEW

CHIP CARRIER PACKAGE



TOP VIEW

FIGURE 3(b) - TRUTH TABLE (EACH LATCH)

| INPUTS | | | OUTPUT |
|-----------------|-------------|---|--------|
| \overline{OC} | ENABLE C | D | Q |
| L | H | H | H |
| L | H | L | L |
| L | L | X | Q0 |
| H | X | X | Z |

NOTES

- Logic Level Definitions: L = Low Level, H = High Level, Z = High Impedance, X = Irrelevant.



FIGURE 3(c) - CIRCUIT SCHEMATIC

Not applicable.

FIGURE 3(d) - FUNCTIONAL DIAGRAM

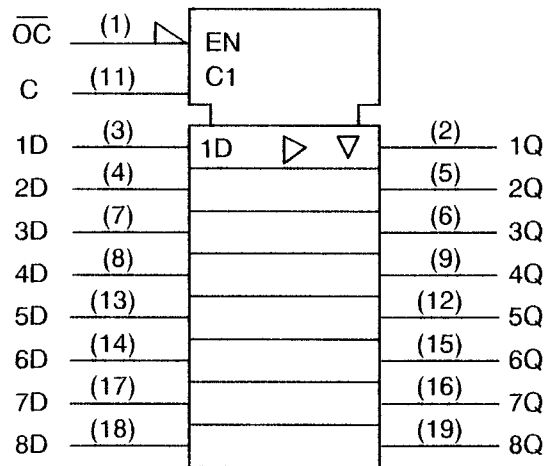
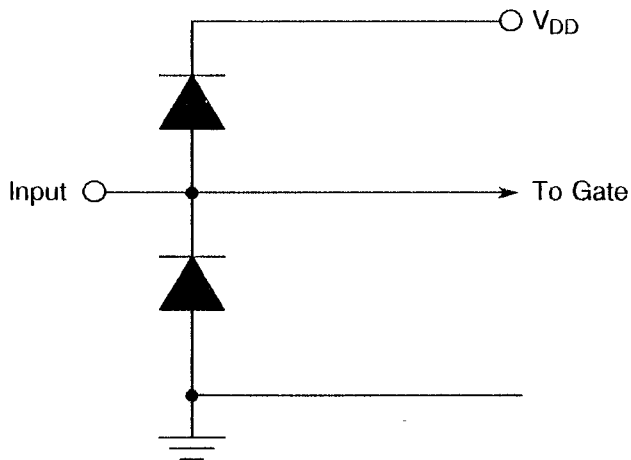
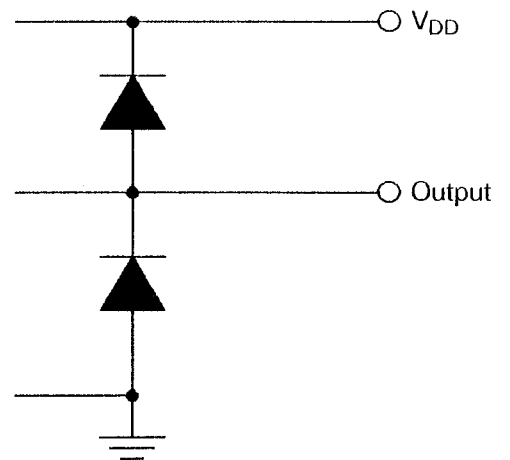


FIGURE 3(e) - INPUT AND OUTPUT PROTECTION NETWORKS

INPUT PROTECTION



OUTPUT PROTECTION



**2. APPLICABLE DOCUMENTS**

The following documents form part of this specification and shall be read in conjunction with it:-

- (a) ESA/SCC Generic Specification No. 9000 for Integrated Circuits.
- (b) MIL-STD-883, Test Methods and Procedures for Micro-electronics.

3. TERMS, DEFINITIONS, ABBREVIATIONS, SYMBOLS AND UNITS

For the purpose of this specification, the terms, definitions, abbreviations, symbols and units specified in ESA/SCC Basic Specification No. 21300 shall apply. In addition, the following abbreviations are used:

- V_{IC} = Input Clamp Voltage.
- I_{IC} = Input Clamp Diode Current.
- V_{OLP} = Ground Bounce Outputs Low.
- V_{OHV} = Ground Bounce Outputs High.

4. REQUIREMENTS**4.1 GENERAL**

The complete requirements for procurement of the integrated circuits specified herein are stated in this specification and ESA/SCC Generic Specification No. 9000 for Integrated Circuits. Deviations from the Generic Specification, applicable to this specification only, are listed in Para. 4.2.

Deviations from the applicable Generic Specification and this Detail Specification, formally agreed with specific Manufacturers on the basis that the alternative requirements are equivalent to the ESA/SCC requirements and do not affect the components' reliability, are listed in the appendices attached to this specification.

4.2 DEVIATIONS FROM GENERIC SPECIFICATION**4.2.1 Deviations from Special In-process Controls**

- (a) Para. 5.2.2, Total Dose Irradiation Testing: Shall be performed during qualification and maintenance of qualification.
- (b) Para. 5.2.2, Total Dose Irradiation Testing: If specified in a Purchase Order, shall be performed during procurement on a lot acceptance basis at the total dose irradiation level specified in the Purchase Order.

4.2.2 Deviations from Final Production Tests (Chart II)

None.

4.2.3 Deviations from Burn-in Tests (Chart III)

None.

4.2.4 Deviations from Qualification Tests (Chart IV)

None.



4.2.5 Deviations from Lot Acceptance Tests (Chart V)

None.

4.3 MECHANICAL REQUIREMENTS

4.3.1 Dimension Check

The dimensions of the integrated circuits specified herein shall be checked. They shall conform to those shown in Figure 2.

4.3.2 Weight

The maximum weight of the integrated circuits specified herein shall be 3.2 grammes for the dual-in-line package, 0.9 grammes for the flat package and 0.6 grammes for the chip carrier package.

4.4 MATERIALS AND FINISHES

The materials shall be as specified herein. Where a definite material is not specified, a material which will enable the integrated circuits specified herein to meet the performance requirements of this specification shall be used. Acceptance or approval of any constituent material does not guarantee acceptance of the finished product.

4.4.1 Case

The case shall be hermetically sealed and have a metal body with hard glass seals or a ceramic body and the lids shall be welded, brazed, preform-soldered or glass frit sealed.

4.4.2 Lead Material and Finish

For dual-in-line and flat packages, the material shall be Type 'G' with Type '4' finish in accordance with the requirements of ESA/SCC Basic Specification No. 23500. For chip carrier packages the finish shall be Type '2' or Type '4' in accordance with the requirements of ESA/SCC Basic Specification No. 23500. (See Table 1(a) for Type Variants).

4.5 MARKING

4.5.1 General

The marking of all components delivered to this specification shall be in accordance with the requirements of ESA/SCC Basic Specification No. 21700. Each component shall be marked in respect of:-

- (a) Lead Identification.
- (b) The SCC Component Number.
- (c) Traceability Information.

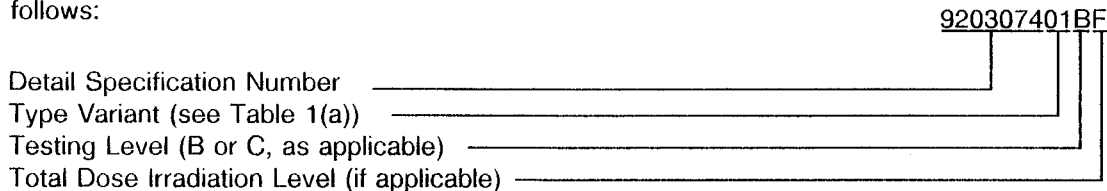
4.5.2 Lead Identification

For dual-in-line and flat packages, an index shall be located at the top of the package in the position defined in Note 1 to Figure 2 or, alternatively, a tab may be used to identify Pin No. 1. The pin numbering must be read with the index or tab on the left-hand side. For chip carrier packages, the index shall be as defined by Figure 2(c).



4.5.3 The SCC Component Number

Each component shall bear the SCC Component Number which shall be constituted and marked as follows:



The Total Dose Irradiation Level designation shall be added for those devices for which a sample has been successfully tested to the level in question. For these devices, a code letter shall be added in accordance with the requirements of ESA/SCC Basic Specification No. 22900.

4.5.4 Traceability Information

Each component shall be marked in respect of traceability information in accordance with the requirements of ESA/SCC Basic Specification No. 21700.

4.6 ELECTRICAL MEASUREMENTS

4.6.1 Electrical Measurements at Room Temperature

The parameters to be measured in respect of electrical characteristics are scheduled in Table 2. Unless otherwise specified, the measurements shall be performed at $T_{amb} = +22 \pm 3$ °C.

4.6.2 Electrical Measurements at High and Low Temperatures

The parameters to be measured at high and low temperatures are scheduled in Table 3. The measurements shall be performed at $T_{amb} = +125(+0 - 5)$ °C and $-55(+5 - 0)$ °C respectively.

4.6.3 Circuits for Electrical Measurements

Circuits and test sequences for use in performing electrical measurements listed in Tables 2 and 3 of this specification are shown in Figure 4.

4.7 BURN-IN TESTS

4.7.1 Parameter Drift Values

The parameter drift values applicable to H.T.R.B. and Power Burn-in are specified in Table 4 of this specification. Unless otherwise stated, measurements shall be performed at $T_{amb} = +22 \pm 3$ °C. The parameter drift values (Δ), applicable to the parameters scheduled, shall not be exceeded. In addition to these drift value requirements, the appropriate limit value specified for a given parameter in Table 2 shall not be exceeded.

For H.T.R.B. Burn-in, the parameter drift values (Δ) shall be applied before the N-Channel (0 hours) and after the P-Channel (144 hours) burn-in.

4.7.2 Conditions for H.T.R.B. and Power Burn-in

The requirements for H.T.R.B. and Power Burn-in are specified in Section 7 of ESA/SCC Generic Specification No. 9000. The conditions for H.T.R.B. and Power Burn-in shall be as specified in Tables 5(a), 5(b) and 5(c) of this specification.

4.7.3 Electrical Circuits for H.T.R.B. and Power Burn-in

Circuits for use in performing the H.T.R.B. and Power Burn-in tests are shown in Figures 5(a), 5(b) and 5(c) of this specification.



TABLE 2 - ELECTRICAL MEASUREMENTS AT ROOM TEMPERATURE - d.c. PARAMETERS

| No. | CHARACTERISTICS | SYMBOL | TEST METHOD MIL-STD 883 | TEST FIG. | TEST CONDITIONS (PINS UNDER TEST) | LIMITS | | UNIT |
|----------|--------------------------|-----------|-------------------------|-----------|---|--------|-------|---------|
| | | | | | | MIN | MAX | |
| 1 | Functional Test 1 | - | - | 3(b) | Verify Truth Table with Load. $V_{IL} = 0.8V$, $V_{IH} = 2.0V$ $I_{OL} = 1.0mA$, $I_{OH} = -1.0mA$ $V_{DD} = 4.5V$, $V_{SS} = 0V$ $t_r = t_f < 50ns$ $f = 10kHz$ (min.) Note 1 | - | - | - |
| 2 | Functional Test 2 | - | - | 3(b) | Verify Truth Table with Load. $V_{IL} = 0.8V$, $V_{IH} = 2.0V$ $I_{OL} = 1.0mA$, $I_{OH} = -1.0mA$ $V_{DD} = 5.5V$, $V_{SS} = 0V$ $t_r = t_f < 50ns$ $f = 10kHz$ (min.) Note 1 | - | - | - |
| 3 to 5 | Quiescent Current 1 | I_{DD1} | 3005 | 4(a) | $V_{IL} = 0V$, $V_{IH} = 5.5V$ $V_{DD} = 5.5V$, $V_{SS} = 0V$ All Outputs Open Note 2 (Pin 20) | - | 1.0 | μA |
| 6 | Quiescent Current 2 | I_{DD2} | 3005 | 4(a) | $V_{IN} (1D) = 3.4V$ $V_{IN} (Remaining Inputs) = 0V$ $V_{DD} = 5.5V$, $V_{SS} = 0V$ All Outputs Open Note 2 (Pin 20) | - | 1.6 | mA |
| 7 to 16 | Input Current Low Level | I_{IL} | 3009 | 4(b) | $V_{IN} (Under Test) = 0V$ $V_{IN} (Remaining Inputs) = 5.5V$ $V_{DD} = 5.5V$, $V_{SS} = 0V$ (Pins 1-3-4-7-8-11-13-14-17-18) | - | - 100 | nA |
| 17 to 26 | Input Current High Level | I_{IH} | 3010 | 4(c) | $V_{IN} (Under Test) = 5.5V$ $V_{IN} (Remaining Inputs) = 0V$ $V_{DD} = 5.5V$, $V_{SS} = 0V$ (Pins 1-3-4-7-8-11-13-14-17-18) | - | 100 | nA |

NOTES: See Page 18.

**TABLE 2 - ELECTRICAL MEASUREMENTS AT ROOM TEMPERATURE - d.c. PARAMETERS (CONT'D)**

| No. | CHARACTERISTICS | SYMBOL | TEST METHOD MIL-STD 883 | TEST FIG. | TEST CONDITIONS (PINS UNDER TEST) | LIMITS | | UNIT |
|----------|-----------------------------|------------------|-------------------------|-----------|--|--------|------|------|
| | | | | | | MIN | MAX | |
| 27 to 34 | Output Voltage Low Level 1 | V _{OL1} | 3007 | 4(d) | V _{IL} = 0.8V, V _{IH} = 2.0V I _{OL} = 50μA V _{DD} = 4.5V, V _{SS} = 0V (Pins 2-5-6-9-12-15-16-19) | - | 0.1 | V |
| 35 to 42 | Output Voltage Low Level 2 | V _{OL2} | 3007 | 4(d) | V _{IL} = 0.8V, V _{IH} = 2.0V I _{OL} = 50μA V _{DD} = 5.5V, V _{SS} = 0V (Pins 2-5-6-9-12-15-16-19) | - | 0.1 | V |
| 43 to 50 | Output Voltage Low Level 3 | V _{OL3} | 3007 | 4(d) | V _{IL} = 0.8V, V _{IH} = 2.0V I _{OL} = 24mA V _{DD} = 4.5V, V _{SS} = 0V (Pins 2-5-6-9-12-15-16-19) | - | 0.4 | V |
| 51 to 58 | Output Voltage Low Level 4 | V _{OL4} | 3007 | 4(d) | V _{IL} = 0.8V, V _{IH} = 2.0V I _{OL} = 24mA V _{DD} = 5.5V, V _{SS} = 0V (Pins 2-5-6-9-12-15-16-19) | - | 0.4 | V |
| 59 to 66 | Output Voltage Low Level 5 | V _{OL5} | 3007 | 4(d) | V _{IL} = 0.8V, V _{IH} = 2.0V I _{OL} = 50mA V _{DD} = 5.5V, V _{SS} = 0V Note 3 (Pins 2-5-6-9-12-15-16-19) | - | 1.65 | V |
| 67 to 74 | Output Voltage High Level 1 | V _{OH1} | 3006 | 4(e) | V _{IL} = 0.8V, V _{IH} = 2.0V I _{OH} = -50μA V _{DD} = 4.5V, V _{SS} = 0V (Pins 2-5-6-9-12-15-16-19) | 4.4 | - | V |
| 75 to 82 | Output Voltage High Level 2 | V _{OH2} | 3006 | 4(e) | V _{IL} = 0.8V, V _{IH} = 2.0V I _{OH} = -50μA V _{DD} = 5.5V, V _{SS} = 0V (Pins 2-5-6-9-12-15-16-19) | 5.4 | - | V |
| 83 to 90 | Output Voltage High Level 3 | V _{OH3} | 3006 | 4(e) | V _{IL} = 0.8V, V _{IH} = 2.0V I _{OH} = -24mA V _{DD} = 4.5V, V _{SS} = 0V (Pins 2-5-6-9-12-15-16-19) | 3.7 | - | V |
| 91 to 98 | Output Voltage High Level 4 | V _{OH4} | 3006 | 4(e) | V _{IL} = 0.8V, V _{IH} = 2.0V I _{OH} = -24mA V _{DD} = 5.5V, V _{SS} = 0V (Pins 2-5-6-9-12-15-16-19) | 4.7 | - | V |

NOTES: See Page 18.

**TABLE 2 - ELECTRICAL MEASUREMENTS AT ROOM TEMPERATURE - d.c. PARAMETERS (CONT'D)**

| NO. | CHARACTERISTICS | SYMBOL | TEST METHOD MIL-STD 883 | TEST FIG. | TEST CONDITIONS (PINS UNDER TEST) | LIMITS | | UNIT |
|------------|---|-----------|-------------------------|-----------|---|--------|------|---------|
| | | | | | | MIN | MAX | |
| 99 to 106 | Output Voltage High Level 5 | V_{OH5} | 3006 | 4(e) | $V_{IL} = 0.8V$, $V_{IH} = 2.0V$ $I_{OH} = -50mA$ $V_{DD} = 5.5V$, $V_{SS} = 0V$ Note 3 (Pins 2-5-6-9-12-15-16-19) | 3.85 | - | V |
| 107 to 116 | Input Clamp Voltage (to V_{SS}) | V_{IC1} | 3022 | 4(f) | I_{IN} (Under Test) = $-1.0mA$ $V_{DD} = \text{Open}$, $V_{SS} = 0V$ All Other Pins Open (Pins 1-3-4-7-8-11-13-14-17-18) | -0.4 | -1.5 | V |
| 117 to 126 | Input Clamp Voltage (to V_{DD}) | V_{IC2} | 3022 | 4(f) | I_{IN} (Under Test) = $1.0mA$ $V_{DD} = 0V$, $V_{SS} = \text{Open}$ All Other Pins Open (Pins 1-3-4-7-8-11-13-14-17-18) | 0.4 | 1.5 | V |
| 127 to 134 | Output Leakage Current Third State (Low Level Applied) | I_{OZL} | 3006 | 4(g) | $V_{IN}(\overline{OC}) = 5.5V$ V_{IN} (Remaining Inputs) = $0V$ $V_{OUT} = 0V$ $V_{DD} = 5.5V$, $V_{SS} = 0V$ (Pins 2-5-6-9-12-15-16-19) | - | -0.5 | μA |
| 135 to 142 | Output Leakage Current Third State (High Level Applied) | I_{OZH} | 3006 | 4(g) | $V_{IN}(\overline{OC}) = 5.5V$ V_{IN} (Remaining Inputs) = $0V$ $V_{OUT} = 5.5V$ $V_{DD} = 5.5V$, $V_{SS} = 0V$ (Pins 2-5-6-9-12-15-16-19) | - | 0.5 | μA |

NOTES

1. Maximum time to output comparator strobe $30\mu s$.
2. Test each appropriate pattern of Figure 4(a).
3. No more than one output shall be measured at a time and the duration of the test shall not exceed 2.0ms.
4. Guaranteed but not tested.
5. Measurements shall be performed on 100% basis go-no-go, with read and record on a sample basis, LTPD7 (32 pieces) after Chart III (Burn-in) Tests.
6. Hand test on 5 samples to be performed during Qualification and Extension of Qualification only.



TABLE 2 - ELECTRICAL MEASUREMENTS AT ROOM TEMPERATURE - a.c. PARAMETERS

| NO. | CHARACTERISTICS | SYMBOL | TEST METHOD MIL-STD 883 | TEST FIG. | TEST CONDITIONS (PINS UNDER TEST) | LIMITS | | UNIT |
|------------|--|------------|-------------------------|-----------|--|--------|-----|------|
| | | | | | | MIN | MAX | |
| 143 to 152 | Input Capacitance | C_{IN} | 3012 | 4(h) | V_{IN} (Not Under Test) = 0V $V_{DD} = V_{SS} = 0V$ Note 4 (Pins 1-3-4-7-8-11-13-14-17-18) | - | 8.0 | pF |
| 153 | Propagation Delay Low to High 1 (D to Q) | t_{PLH1} | 3003 | 4(i) | V_{IN} (Under Test) = Pulse Generator V_{IN} (Remaining Inputs) = Figure 3(b) $V_{DD} = 4.5V, V_{SS} = 0V$ Note 5 <u>Pins</u> 3 to 2 | - | 10 | ns |
| 154 | Propagation Delay High to Low 1 (D to Q) | t_{PHL1} | 3003 | 4(i) | V_{IN} (Under Test) = Pulse Generator V_{IN} (Remaining Inputs) = Figure 3(b) $V_{DD} = 4.5V, V_{SS} = 0V$ Note 5 <u>Pins</u> 3 to 2 | - | 10 | ns |
| 155 | Propagation Delay Low to High 2 (C to Q) | t_{PLH2} | 3003 | 4(i) | V_{IN} (Under Test) = Pulse Generator V_{IN} (Remaining Inputs) = Figure 3(b) $V_{DD} = 4.5V, V_{SS} = 0V$ Note 5 <u>Pins</u> 11 to 2 | - | 10 | ns |
| 156 | Propagation Delay High to Low 2 (C to Q) | t_{PHL2} | 3003 | 4(i) | V_{IN} (Under Test) = Pulse Generator V_{IN} (Remaining Inputs) = Figure 3(b) $V_{DD} = 4.5V, V_{SS} = 0V$ Note 5 <u>Pins</u> 11 to 2 | - | 10 | ns |

NOTES: See Page 18.

**TABLE 2 - ELECTRICAL MEASUREMENTS AT ROOM TEMPERATURE - a.c. PARAMETERS (CONT'D)**

| NO. | CHARACTERISTICS | SYMBOL | TEST METHOD MIL-STD 883 | TEST FIG. | TEST CONDITIONS (PINS UNDER TEST) | LIMITS | | UNIT |
|-----|---|----------------|-------------------------|-----------|---|--------|-----|------|
| | | | | | | MIN | MAX | |
| 157 | Output Enable Time High Impedance to Low Output (\overline{OC} to Q) | t_{pZL} | 3003 | 4(i) | V_{IN} (Under Test) = Pulse Generator V_{IN} (Remaining Inputs) = Figure 3(b) $V_{DD} = 4.5V, V_{SS} = 0V$ Note 5 <u>Pins</u> 1 to 2 | - | 9.0 | ns |
| 158 | Output Enable Time High Impedance to High Output (\overline{OC} to Q) | t_{pZH} | 3003 | 4(k) | V_{IN} (Under Test) = Pulse Generator V_{IN} (Remaining Inputs) = Figure 3(b) $V_{DD} = 4.5V, V_{SS} = 0V$ Note 5 <u>Pins</u> 1 to 2 | - | 9.5 | ns |
| 159 | Output Disable Time Low Output to High Impedance (\overline{OC} to Q) | t_{PLZ} | 3003 | 4(i) | V_{IN} (Under Test) = Pulse Generator V_{IN} (Remaining Inputs) = Figure 3(b) $V_{DD} = 4.5V, V_{SS} = 0V$ Note 5 <u>Pins</u> 1 to 2 | - | 8.5 | ns |
| 160 | Output Disable Time High Output to High Impedance (\overline{OC} to Q) | t_{PHZ} | 3003 | 4(i) | V_{IN} (Under Test) = Pulse Generator V_{IN} (Remaining Inputs) = Figure 3(b) $V_{DD} = 4.5V, V_{SS} = 0V$ Note 5 <u>Pins</u> 1 to 2 | - | 11 | ns |
| 161 | Ground Bounce Output Low (High to Low) | $V_{OLP(H-L)}$ | - | 4(j) | $V_{IN} (\overline{OC}, 8D) = 0V$ $V_{IN} (C) = 3.0V$ V_{IN} (Remaining Inputs) = Pulse Generator $V_{DD} = 5.5V, V_{SS} = 0V$ Note 6 (Pin 19) | - | 2.0 | V |

NOTES: See Page 18.

**TABLE 2 - ELECTRICAL MEASUREMENTS AT ROOM TEMPERATURE - a.c. PARAMETERS (CONT'D)**

| NO. | CHARACTERISTICS | SYMBOL | TEST METHOD MIL-STD 883 | TEST FIG. | TEST CONDITIONS (PINS UNDER TEST) | LIMITS | | UNIT |
|-----|---|-----------------------|-------------------------|-----------|---|--------|-----|------|
| | | | | | | MIN | MAX | |
| 162 | Ground Bounce Output Low (Low to High) | V _{OLP(L-H)} | - | 4(j) | V _{IN} (\overline{OC} , 8D) = 0V V _{IN} (C) = 3.0V V _{IN} (Remaining Inputs) = Pulse Generator V _{DD} = 5.5V, V _{SS} = 0V Note 6 (Pin 19) | - | 2.0 | V |
| 163 | Ground Bounce Output High (High to Low) | V _{OHV(H-L)} | - | 4(j) | V _{IN} (\overline{OC}) = 0V V _{IN} (C, 8D) = 3.0V V _{IN} (Remaining Inputs) = Pulse Generator V _{DD} = 5.5V, V _{SS} = 0V Note 6 (Pin 19) | - | 1.5 | V |
| 164 | Ground Bounce Output High (Low to High) | V _{OHV(L-H)} | - | 4(j) | V _{IN} (\overline{OC}) = 0V V _{IN} (C, 8D) = 3.0V V _{IN} (Remaining Inputs) = Pulse Generator V _{DD} = 5.5V, V _{SS} = 0V Note 6 (Pin 19) | - | 1.5 | V |

NOTES: See Page 18.



TABLE 3(a) - ELECTRICAL MEASUREMENTS AT HIGH TEMPERATURE

| No. | CHARACTERISTICS | SYMBOL | TEST METHOD MIL-STD 883 | TEST FIG. | TEST CONDITIONS (PINS UNDER TEST) | LIMITS | | UNIT |
|----------|--------------------------|-----------|-------------------------|-----------|---|--------|------|---------|
| | | | | | | MIN | MAX | |
| 1 | Functional Test 1 | - | - | 3(b) | Verify Truth Table with Load. $V_{IL} = 0.8V$, $V_{IH} = 2.0V$ $I_{OL} = 1.0mA$, $I_{OH} = -1.0mA$ $V_{DD} = 4.5V$, $V_{SS} = 0V$ $t_r = t_f < 50ns$ $f = 10kHz$ (min.) Note 1 | - | - | - |
| 2 | Functional Test 2 | - | - | 3(b) | Verify Truth Table with Load. $V_{IL} = 0.8V$, $V_{IH} = 2.0V$ $I_{OL} = 1.0mA$, $I_{OH} = -1.0mA$ $V_{DD} = 5.5V$, $V_{SS} = 0V$ $t_r = t_f < 50ns$ $f = 10kHz$ (min.) Note 1 | - | - | - |
| 3 to 5 | Quiescent Current 1 | I_{DD1} | 3005 | 4(a) | $V_{IL} = 0V$, $V_{IH} = 5.5V$ $V_{DD} = 5.5V$, $V_{SS} = 0V$ All Outputs Open Note 2 (Pin 20) | - | 20 | μA |
| 6 | Quiescent Current 2 | I_{DD2} | 3005 | 4(a) | $V_{IN} (1D) = 3.4V$ $V_{IN} (Remaining Inputs) = 0V$ $V_{DD} = 5.5V$, $V_{SS} = 0V$ All Outputs Open Note 2 (Pin 20) | - | 1.6 | mA |
| 7 to 16 | Input Current Low Level | I_{IL} | 3009 | 4(b) | $V_{IN} (Under Test) = 0V$ $V_{IN} (Remaining Inputs) = 5.5V$ $V_{DD} = 5.5V$, $V_{SS} = 0V$ (Pins 1-3-4-7-8-11-13-14-17-18) | - | -1.0 | μA |
| 17 to 26 | Input Current High Level | I_{IH} | 3010 | 4(c) | $V_{IN} (Under Test) = 5.5V$ $V_{IN} (Remaining Inputs) = 0V$ $V_{DD} = 5.5V$, $V_{SS} = 0V$ (Pins 1-3-4-7-8-11-13-14-17-18) | - | 1.0 | μA |

NOTES: See Page 18.



TABLE 3(a) - ELECTRICAL MEASUREMENTS AT HIGH TEMPERATURE (CONT'D)

| No. | CHARACTERISTICS | SYMBOL | TEST METHOD MIL-STD 883 | TEST FIG. | TEST CONDITIONS (PINS UNDER TEST) | LIMITS | | UNIT |
|----------|-----------------------------|------------------|-------------------------|-----------|--|--------|------|------|
| | | | | | | MIN | MAX | |
| 27 to 34 | Output Voltage Low Level 1 | V _{OL1} | 3007 | 4(d) | V _{IL} = 0.8V, V _{IH} = 2.0V I _{OL} = 50μA V _{DD} = 4.5V, V _{SS} = 0V (Pins 2-5-6-9-12-15-16-19) | - | 0.1 | V |
| 35 to 42 | Output Voltage Low Level 2 | V _{OL2} | 3007 | 4(d) | V _{IL} = 0.8V, V _{IH} = 2.0V I _{OL} = 50μA V _{DD} = 5.5V, V _{SS} = 0V (Pins 2-5-6-9-12-15-16-19) | - | 0.1 | V |
| 43 to 50 | Output Voltage Low Level 3 | V _{OL3} | 3007 | 4(d) | V _{IL} = 0.8V, V _{IH} = 2.0V I _{OL} = 24mA V _{DD} = 4.5V, V _{SS} = 0V (Pins 2-5-6-9-12-15-16-19) | - | 0.5 | V |
| 51 to 58 | Output Voltage Low Level 4 | V _{OL4} | 3007 | 4(d) | V _{IL} = 0.8V, V _{IH} = 2.0V I _{OL} = 24mA V _{DD} = 5.5V, V _{SS} = 0V (Pins 2-5-6-9-12-15-16-19) | - | 0.5 | V |
| 59 to 66 | Output Voltage Low Level 5 | V _{OL5} | 3007 | 4(d) | V _{IL} = 0.8V, V _{IH} = 2.0V I _{OL} = 50mA V _{DD} = 5.5V, V _{SS} = 0V Note 3 (Pins 2-5-6-9-12-15-16-19) | - | 1.65 | V |
| 67 to 74 | Output Voltage High Level 1 | V _{OH1} | 3006 | 4(e) | V _{IL} = 0.8V, V _{IH} = 2.0V I _{OH} = - 50μA V _{DD} = 4.5V, V _{SS} = 0V (Pins 2-5-6-9-12-15-16-19) | 4.4 | - | V |
| 75 to 82 | Output Voltage High Level 2 | V _{OH2} | 3006 | 4(e) | V _{IL} = 0.8V, V _{IH} = 2.0V I _{OH} = - 50μA V _{DD} = 5.5V, V _{SS} = 0V (Pins 2-5-6-9-12-15-16-19) | 5.4 | - | V |
| 83 to 90 | Output Voltage High Level 3 | V _{OH3} | 3006 | 4(e) | V _{IL} = 0.8V, V _{IH} = 2.0V I _{OH} = - 24mA V _{DD} = 4.5V, V _{SS} = 0V (Pins 2-5-6-9-12-15-16-19) | 3.7 | - | V |
| 91 to 98 | Output Voltage High Level 4 | V _{OH4} | 3006 | 4(e) | V _{IL} = 0.8V, V _{IH} = 2.0V I _{OH} = - 24mA V _{DD} = 5.5V, V _{SS} = 0V (Pins 2-5-6-9-12-15-16-19) | 4.7 | - | V |

NOTES: See Page 18.



TABLE 3(a) - ELECTRICAL MEASUREMENTS AT HIGH TEMPERATURE (CONT'D)

| NO. | CHARACTERISTICS | SYMBOL | TEST METHOD MIL-STD 883 | TEST FIG. | TEST CONDITIONS (PINS UNDER TEST) | LIMITS | | UNIT |
|------------|---|-----------|-------------------------|-----------|---|--------|------|---------|
| | | | | | | MIN | MAX | |
| 99 to 106 | Output Voltage High Level 5 | V_{OH5} | 3006 | 4(e) | $V_{IL} = 0.8V$, $V_{IH} = 2.0V$ $I_{OH} = -50mA$ $V_{DD} = 5.5V$, $V_{SS} = 0V$ Note 3 (Pins 2-5-6-9-12-15-16-19) | 3.85 | - | V |
| 107 to 116 | Input Clamp Voltage (to V_{SS}) | V_{IC1} | 3022 | 4(f) | I_{IN} (Under Test) = $-1.0mA$ $V_{DD} = \text{Open}$, $V_{SS} = 0V$ All Other Pins Open (Pins 1-3-4-7-8-11-13-14-17-18) | -0.1 | -1.5 | V |
| 117 to 126 | Input Clamp Voltage (to V_{DD}) | V_{IC2} | 3022 | 4(f) | I_{IN} (Under Test) = $1.0mA$ $V_{DD} = 0V$, $V_{SS} = \text{Open}$ All Other Pins Open (Pins 1-3-4-7-8-11-13-14-17-18) | 0.1 | 1.5 | V |
| 127 to 134 | Output Leakage Current Third State (Low Level Applied) | I_{OZL} | 3006 | 4(g) | $V_{IN}(\overline{OC}) = 5.5V$ V_{IN} (Remaining Inputs) = $0V$ $V_{OUT} = 0V$ $V_{DD} = 5.5V$, $V_{SS} = 0V$ (Pins 2-5-6-9-12-15-16-19) | - | -10 | μA |
| 135 to 142 | Output Leakage Current Third State (High Level Applied) | I_{OZH} | 3006 | 4(g) | $V_{IN}(\overline{OC}) = 5.5V$ V_{IN} (Remaining Inputs) = $0V$ $V_{OUT} = 5.5V$ $V_{DD} = 5.5V$, $V_{SS} = 0V$ (Pins 2-5-6-9-12-15-16-19) | - | 10 | μA |

NOTES: See Page 18.

**TABLE 3(b) - ELECTRICAL MEASUREMENTS AT LOW TEMPERATURE**

| No. | CHARACTERISTICS | SYMBOL | TEST METHOD MIL-STD 883 | TEST FIG. | TEST CONDITIONS (PINS UNDER TEST) | LIMITS | | UNIT |
|----------|--------------------------|-----------|-------------------------|-----------|---|--------|-------|---------|
| | | | | | | MIN | MAX | |
| 1 | Functional Test 1 | - | - | 3(b) | Verify Truth Table with Load. $V_{IL} = 0.8V$, $V_{IH} = 2.0V$ $I_{OL} = 1.0mA$, $I_{OH} = -1.0mA$ $V_{DD} = 4.5V$, $V_{SS} = 0V$ $t_r = t_f < 50ns$ $f = 10kHz$ (min.) Note 1 | - | - | - |
| 2 | Functional Test 2 | - | - | 3(b) | Verify Truth Table with Load. $V_{IL} = 0.8V$, $V_{IH} = 2.0V$ $I_{OL} = 1.0mA$, $I_{OH} = -1.0mA$ $V_{DD} = 5.5V$, $V_{SS} = 0V$ $t_r = t_f < 50ns$ $f = 10kHz$ (min.) Note 1 | - | - | - |
| 3 to 5 | Quiescent Current 1 | I_{DD1} | 3005 | 4(a) | $V_{IL} = 0V$, $V_{IH} = 5.5V$ $V_{DD} = 5.5V$, $V_{SS} = 0V$ All Outputs Open Note 2 (Pin 20) | - | 1.0 | μA |
| 6 | Quiescent Current 2 | I_{DD2} | 3005 | 4(a) | $V_{IN} (1D) = 3.4V$ $V_{IN} (Remaining Inputs) = 0V$ $V_{DD} = 5.5V$, $V_{SS} = 0V$ All Outputs Open Note 2 (Pin 20) | - | 1.6 | mA |
| 7 to 16 | Input Current Low Level | I_{IL} | 3009 | 4(b) | $V_{IN} (Under Test) = 0V$ $V_{IN} (Remaining Inputs) = 5.5V$ $V_{DD} = 5.5V$, $V_{SS} = 0V$ (Pins 1-3-4-7-8-11-13-14-17-18) | - | - 100 | nA |
| 17 to 26 | Input Current High Level | I_{IH} | 3010 | 4(c) | $V_{IN} (Under Test) = 5.5V$ $V_{IN} (Remaining Inputs) = 0V$ $V_{DD} = 5.5V$, $V_{SS} = 0V$ (Pins 1-3-4-7-8-11-13-14-17-18) | - | 100 | nA |

NOTES: See Page 18.



SCC

ESA/SCC Detail Specification

No. 9203/074

PAGE 26

ISSUE 1

TABLE 3(b) - ELECTRICAL MEASUREMENTS AT LOW TEMPERATURE (CONT'D)

| No. | CHARACTERISTICS | SYMBOL | TEST METHOD MIL-STD 883 | TEST FIG. | TEST CONDITIONS (PINS UNDER TEST) | LIMITS | | UNIT |
|----------|-----------------------------|------------------|-------------------------|-----------|--|--------|------|------|
| | | | | | | MIN | MAX | |
| 27 to 34 | Output Voltage Low Level 1 | V _{OL1} | 3007 | 4(d) | V _{IL} = 0.8V, V _{IH} = 2.0V I _{OL} = 50μA V _{DD} = 4.5V, V _{SS} = 0V (Pins 2-5-6-9-12-15-16-19) | - | 0.1 | V |
| 35 to 42 | Output Voltage Low Level 2 | V _{OL2} | 3007 | 4(d) | V _{IL} = 0.8V, V _{IH} = 2.0V I _{OL} = 50μA V _{DD} = 5.5V, V _{SS} = 0V (Pins 2-5-6-9-12-15-16-19) | - | 0.1 | V |
| 43 to 50 | Output Voltage Low Level 3 | V _{OL3} | 3007 | 4(d) | V _{IL} = 0.8V, V _{IH} = 2.0V I _{OL} = 24mA V _{DD} = 4.5V, V _{SS} = 0V (Pins 2-5-6-9-12-15-16-19) | - | 0.4 | V |
| 51 to 58 | Output Voltage Low Level 4 | V _{OL4} | 3007 | 4(d) | V _{IL} = 0.8V, V _{IH} = 2.0V I _{OL} = 24mA V _{DD} = 5.5V, V _{SS} = 0V (Pins 2-5-6-9-12-15-16-19) | - | 0.4 | V |
| 59 to 66 | Output Voltage Low Level 5 | V _{OL5} | 3007 | 4(d) | V _{IL} = 0.8V, V _{IH} = 2.0V I _{OL} = 50mA V _{DD} = 5.5V, V _{SS} = 0V Note 3 (Pins 2-5-6-9-12-15-16-19) | - | 1.65 | V |
| 67 to 74 | Output Voltage High Level 1 | V _{OH1} | 3006 | 4(e) | V _{IL} = 0.8V, V _{IH} = 2.0V I _{OH} = - 50μA V _{DD} = 4.5V, V _{SS} = 0V (Pins 2-5-6-9-12-15-16-19) | 4.4 | - | V |
| 75 to 82 | Output Voltage High Level 2 | V _{OH2} | 3006 | 4(e) | V _{IL} = 0.8V, V _{IH} = 2.0V I _{OH} = - 50μA V _{DD} = 5.5V, V _{SS} = 0V (Pins 2-5-6-9-12-15-16-19) | 5.4 | - | V |
| 83 to 90 | Output Voltage High Level 3 | V _{OH3} | 3006 | 4(e) | V _{IL} = 0.8V, V _{IH} = 2.0V I _{OH} = - 24mA V _{DD} = 4.5V, V _{SS} = 0V (Pins 2-5-6-9-12-15-16-19) | 3.7 | - | V |
| 91 to 98 | Output Voltage High Level 4 | V _{OH4} | 3006 | 4(e) | V _{IL} = 0.8V, V _{IH} = 2.0V I _{OH} = - 24mA V _{DD} = 5.5V, V _{SS} = 0V (Pins 2-5-6-9-12-15-16-19) | 4.7 | - | V |

NOTES: See Page 18.

**TABLE 3(b) - ELECTRICAL MEASUREMENTS AT LOW TEMPERATURE (CONT'D)**

| NO. | CHARACTERISTICS | SYMBOL | TEST METHOD MIL-STD 883 | TEST FIG. | TEST CONDITIONS (PINS UNDER TEST) | LIMITS | | UNIT |
|------------|---|-----------|-------------------------|-----------|---|--------|------|---------|
| | | | | | | MIN | MAX | |
| 99 to 106 | Output Voltage High Level 5 | V_{OH5} | 3006 | 4(e) | $V_{IL} = 0.8V$, $V_{IH} = 2.0V$ $I_{OH} = -50mA$ $V_{DD} = 5.5V$, $V_{SS} = 0V$ Note 3 (Pins 2-5-6-9-12-15-16-19) | 3.85 | - | V |
| 107 to 116 | Input Clamp Voltage (to V_{SS}) | V_{IC1} | 3022 | 4(f) | I_{IN} (Under Test) = $-1.0mA$ $V_{DD} = \text{Open}$, $V_{SS} = 0V$ All Other Pins Open (Pins 1-3-4-7-8-11-13-14-17-18) | -0.1 | -1.5 | V |
| 117 to 126 | Input Clamp Voltage (to V_{DD}) | V_{IC2} | 3022 | 4(f) | I_{IN} (Under Test) = $1.0mA$ $V_{DD} = 0V$, $V_{SS} = \text{Open}$ All Other Pins Open (Pins 1-3-4-7-8-11-13-14-17-18) | 0.1 | 1.5 | V |
| 127 to 134 | Output Leakage Current Third State (Low Level Applied) | I_{OZL} | 3006 | 4(g) | $V_{IN}(\overline{OC}) = 5.5V$ V_{IN} (Remaining Inputs) = $0V$ $V_{OUT} = 0V$ $V_{DD} = 5.5V$, $V_{SS} = 0V$ (Pins 2-5-6-9-12-15-16-19) | - | -0.5 | μA |
| 135 to 142 | Output Leakage Current Third State (High Level Applied) | I_{OZH} | 3006 | 4(g) | $V_{IN}(\overline{OC}) = 5.5V$ V_{IN} (Remaining Inputs) = $0V$ $V_{OUT} = 5.5V$ $V_{DD} = 5.5V$, $V_{SS} = 0V$ (Pins 2-5-6-9-12-15-16-19) | - | 0.5 | μA |

NOTES: See Page 18.



FIGURE 4 - CIRCUITS FOR ELECTRICAL MEASUREMENTS

FIGURE 4(a) - QUIESCENT CURRENT TEST TABLE

| PATTERN NO. | INPUTS | | | | | | | | | | OUTPUTS | | | | | | | | DC SUPPLY | |
|-------------|--------|---|---|---|---|----|----|----|----|----|---------|---|---|---|----|----|----|----|-----------------|-----------------|
| | 1 | 3 | 4 | 7 | 8 | 11 | 13 | 14 | 17 | 18 | 2 | 5 | 6 | 9 | 12 | 15 | 16 | 19 | 10 | 20 |
| 1 | 0 | 1 | 1 | 1 | 1 | 1 | 1 | 1 | 1 | 1 | OPEN | | | | | | | | V _{SS} | V _{DD} |
| 2 | 0 | 0 | 0 | 0 | 0 | 1 | 0 | 0 | 0 | 0 | OPEN | | | | | | | | ↓ | ↓ |
| 3 | 1 | 1 | 1 | 1 | 1 | 1 | 1 | 1 | 1 | 1 | OPEN | | | | | | | | ↓ | ↓ |
| 4 | 0 | H | 0 | 0 | 0 | 0 | 0 | 0 | 0 | 0 | OPEN | | | | | | | | ↓ | ↓ |

NOTES

- Figure 4(a) illustrates one series of test patterns. Any other pattern series must be agreed with the qualifying Space Agency and shall be included as an Appendix.
- Logic Level Definitions: For Patterns 1 to 3, 1 = V_{IH} = V_{DD}, 0 = V_{IL} = V_{SS}.
For Pattern 4, 0 = V_{IL} = V_{SS}, H = 3.4V.

FIGURE 4(b) - INPUT CURRENT LOW LEVEL

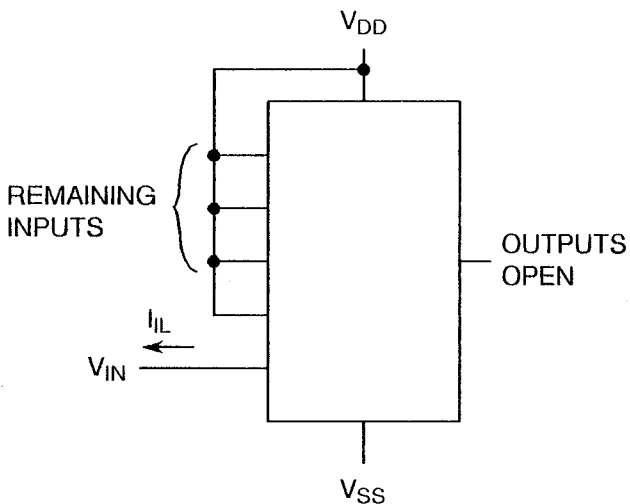
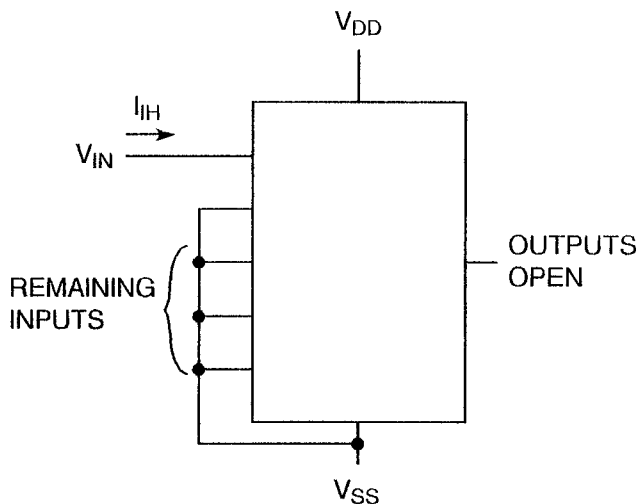


FIGURE 4(c) - INPUT CURRENT HIGH LEVEL



NOTES

- Each input to be tested separately.

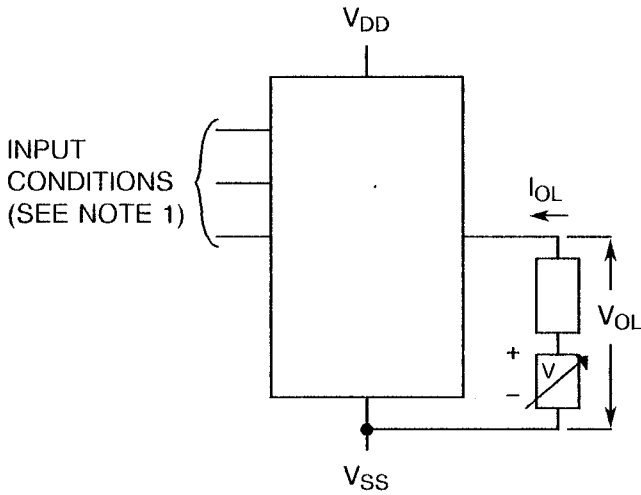
NOTES

- Each input to be tested separately.



FIGURE 4 - CIRCUITS FOR ELECTRICAL MEASUREMENTS (CONTINUED)

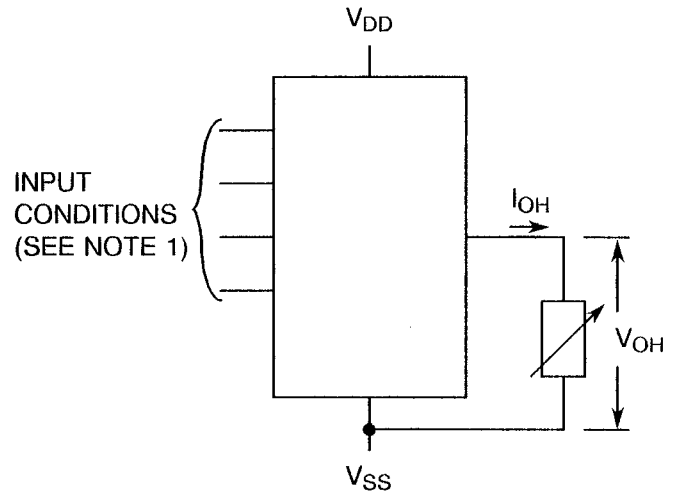
FIGURE 4(d) - OUTPUT VOLTAGE LOW LEVEL



NOTES

1. $V_{IN} = V_{IL}$ (max.) and/or V_{IH} (min.) as per Truth Table to give V_{OL} .
2. Each output to be tested separately.

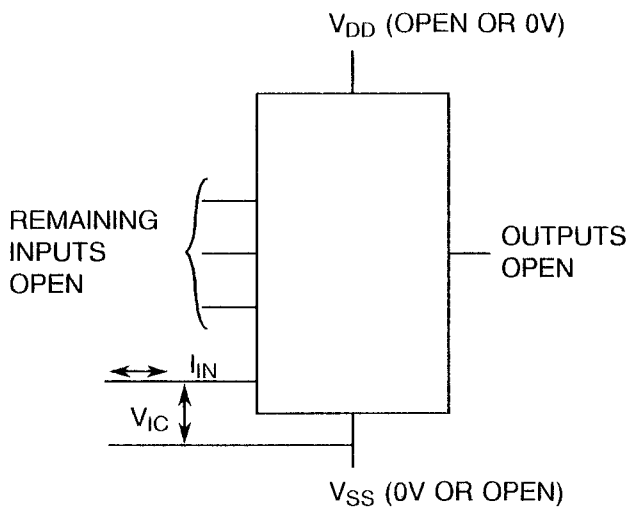
FIGURE 4(e) - OUTPUT VOLTAGE HIGH LEVEL



NOTES

1. $V_{IN} = V_{IL}$ (max.) and/or V_{IH} (min.) as per Truth Table to give V_{OH} .
2. Each output to be tested separately.

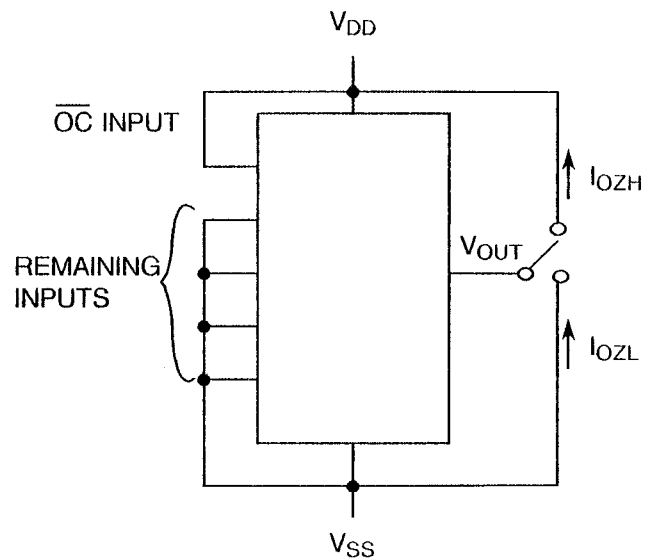
FIGURE 4(f) - INPUT CLAMP VOLTAGE



NOTES

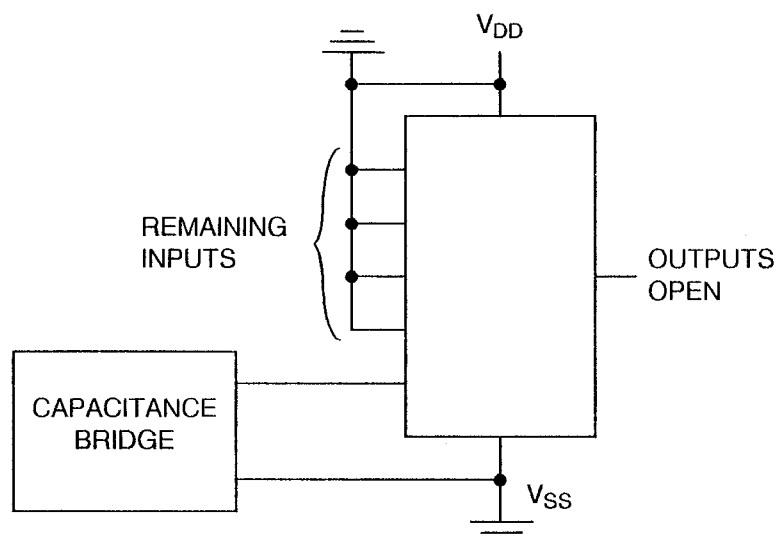
1. Each input to be tested separately.

FIGURE 4(g) - OUTPUT LEAKAGE CURRENT THIRD STATE



NOTES

1. Each output to be tested separately.

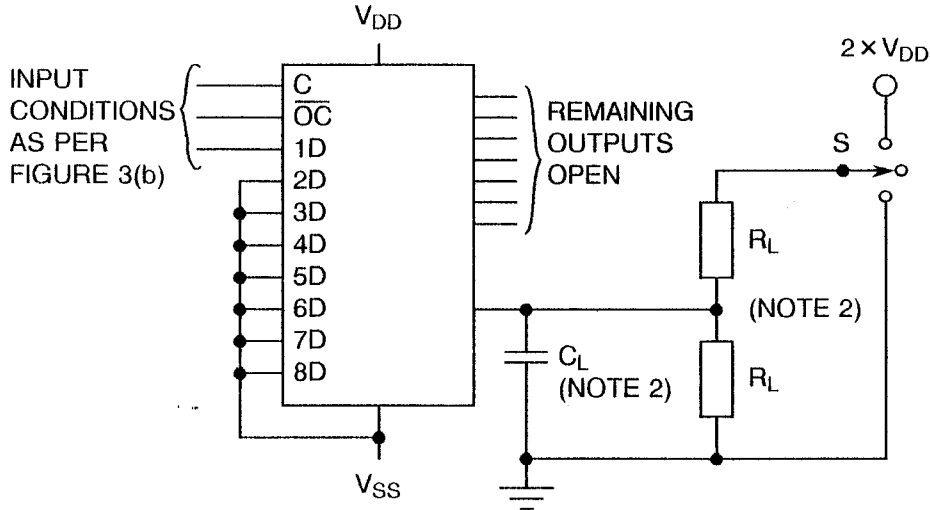
FIGURE 4 - CIRCUITS FOR ELECTRICAL MEASUREMENTS (CONTINUED)**FIGURE 4(h) - INPUT CAPACITANCE****NOTES**

1. Each input to be tested separately.
2. $f = 100\text{kHz}$ to 1MHz .



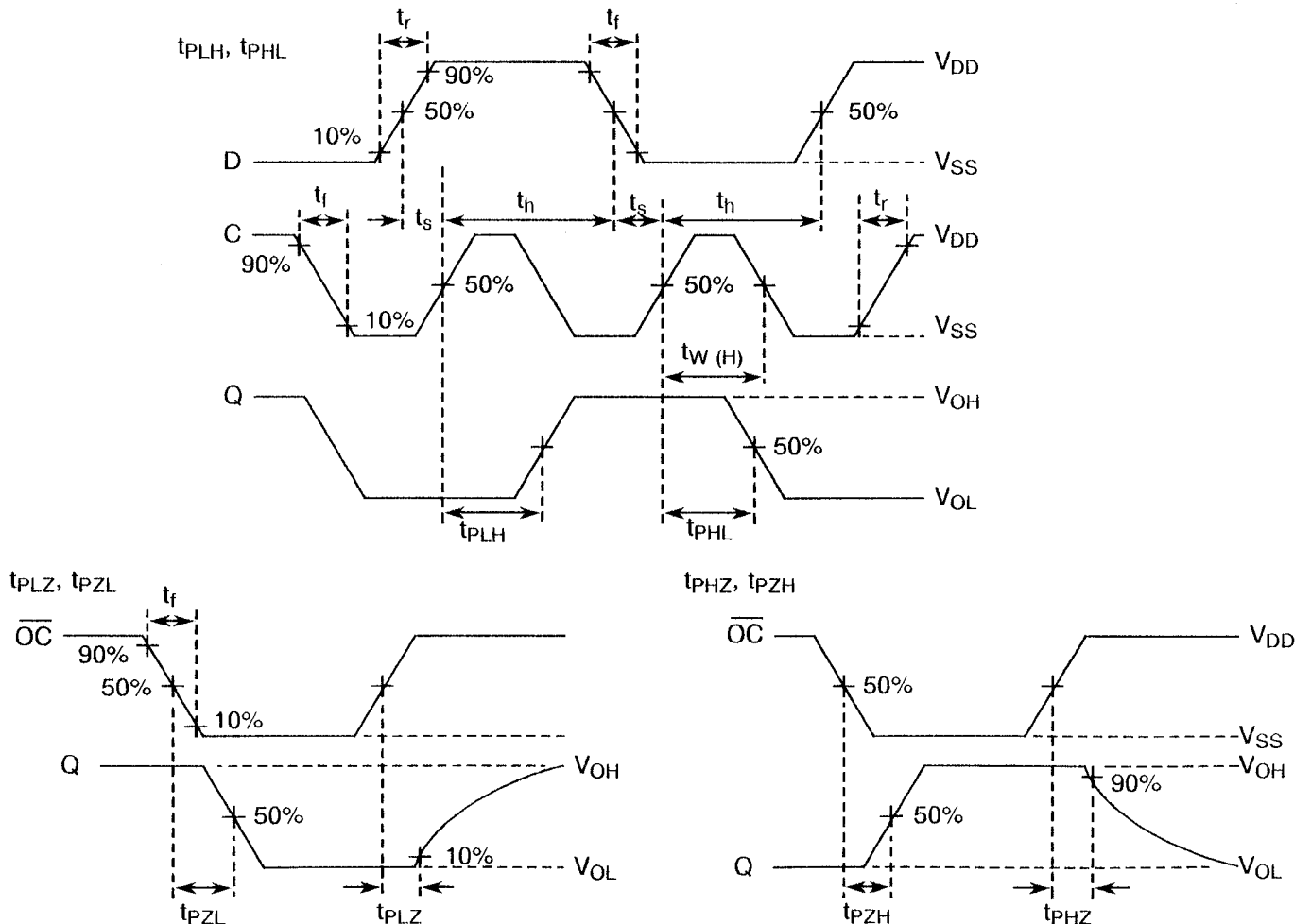
FIGURE 4 - CIRCUITS FOR ELECTRICAL MEASUREMENTS (CONTINUED)

FIGURE 4(i) - PROPAGATION DELAY



| PARAMETER | S |
|--------------------|-------------------|
| t_{PZH}, t_{PHZ} | Ground |
| t_{PZL}, t_{PLZ} | $2 \times V_{DD}$ |
| t_{PLH}, t_{PHL} | Open |

VOLTAGE WAVEFORMS



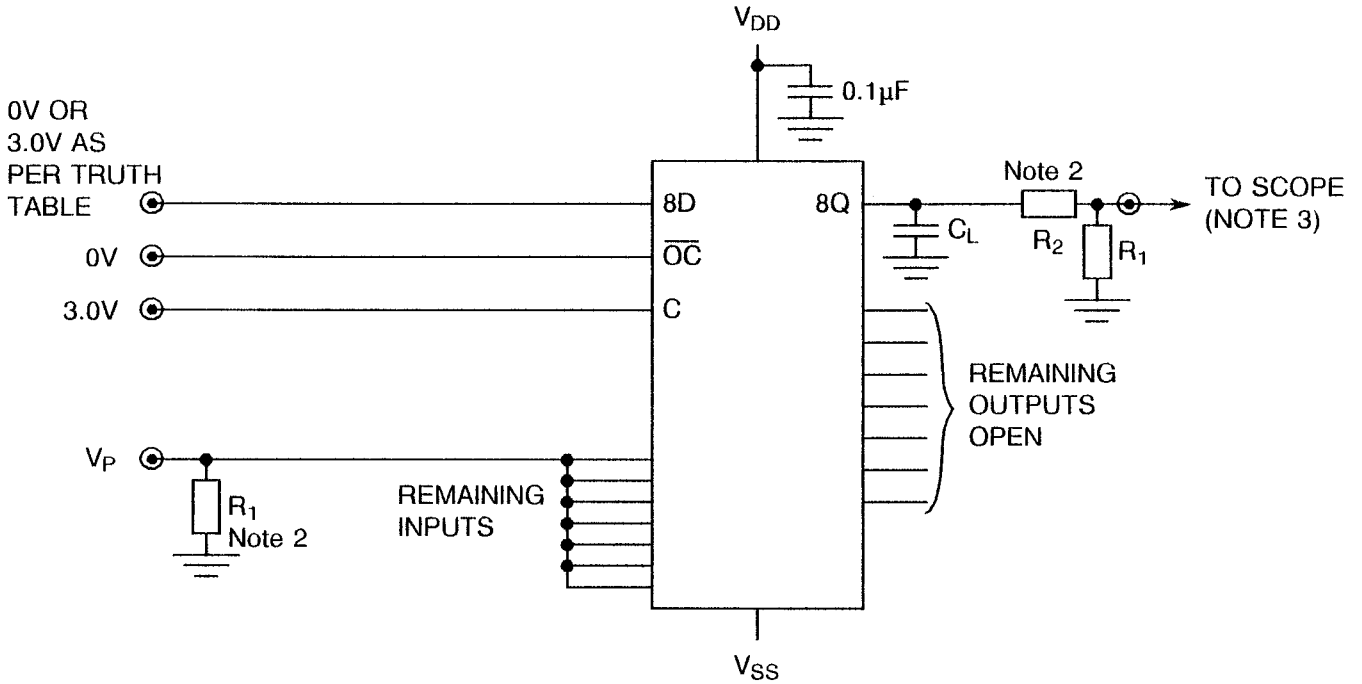
NOTES

1. Pulse Generator: $V_p = 0V$ to V_{DD} , t_r and $t_f \leq 6ns$, $f = 1.0MHz$ minimum, 50% Duty Cycle, $Z_{OUT} = 50\Omega$.
2. $C_L = 50pF \pm 5\%$ including scope, wiring and stray capacitance without package in test fixture, $R_L = 500\Omega \pm 5\%$.

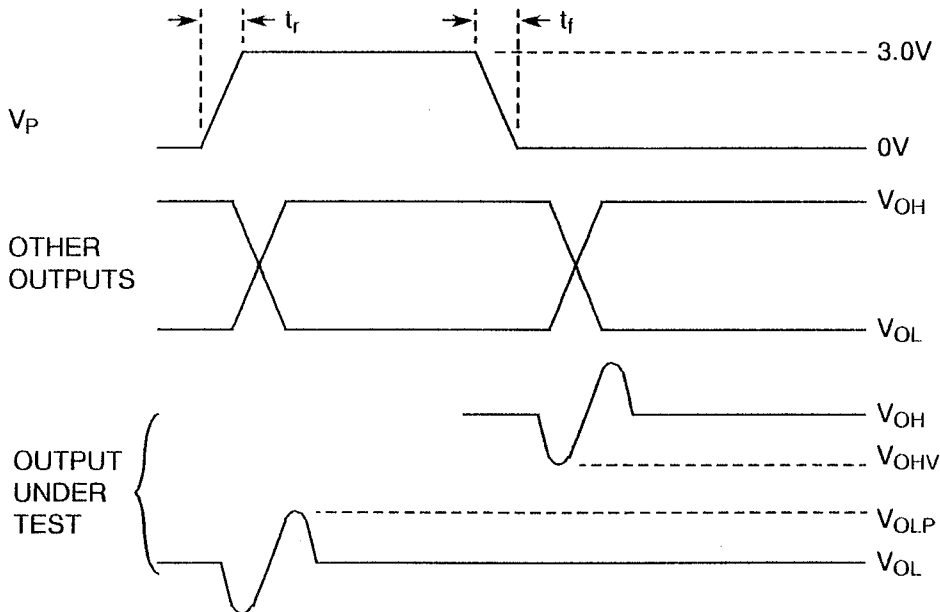


FIGURE 4 - CIRCUITS FOR ELECTRICAL MEASUREMENTS (CONTINUED)

FIGURE 4(j) - GROUND BOUNCE



VOLTAGE WAVEFORMS



NOTES

1. Pulse Generator - $V_P = 0V$ to $3.0V$, t_r and $t_f \leq 6.0ns$, $f = 1.0MHz$, 50% Duty Cycle, $Z_{OUT} = 50\Omega$.
2. $C_L = 50pF \pm 5\%$, $R_1 = 51\Omega \pm 5\%$, $R_2 = 450\Omega \pm 5\%$.
3. Oscilloscope - $Z_{IN} = 50\Omega$, Bandwidth $\geq 1.0GHz$ with memory capability.

**TABLE 4 - PARAMETER DRIFT VALUES**

| No. | CHARACTERISTICS | SYMBOL | SPEC. AND/OR TEST METHOD | TEST CONDITIONS | CHANGE LIMITS (Δ) | UNIT |
|----------|-----------------------------|-----------|--------------------------|-----------------|----------------------------|------|
| 3 to 5 | Quiescent Current 1 | I_{DD1} | As per Table 2 | As per Table 2 | ± 300 | nA |
| 6 | Quiescent Current 2 | I_{DD2} | As per Table 2 | As per Table 2 | ± 0.4 | mA |
| 7 to 16 | Input Current Low Level | I_{IL} | As per Table 2 | As per Table 2 | ± 20 | nA |
| 17 to 26 | Input Current High Level | I_{IH} | As per Table 2 | As per Table 2 | ± 20 | nA |
| 51 to 58 | Output Voltage Low Level 4 | V_{OL4} | As per Table 2 | As per Table 2 | ± 0.04 | V |
| 91 to 98 | Output Voltage High Level 4 | V_{OH4} | As per Table 2 | As per Table 2 | ± 0.2 | V |

**TABLE 5(a) - CONDITIONS FOR BURN-IN HIGH TEMPERATURE REVERSE BIAS, N-CHANNELS**

| No. | CHARACTERISTICS | SYMBOL | CONDITION | UNIT |
|-----|--|-----------|-----------------|-------|
| 1 | Ambient Temperature | T_{amb} | + 125(+ 0 – 5) | °C |
| 2 | Outputs - (Pins 2-5-6-9-12-15-16-19) | V_{OUT} | Open | - |
| 3 | Inputs - (Pins 1-3-4-7-8-11-13-14-17-18) | V_{IN} | V_{SS} | V |
| 4 | Positive Supply Voltage (Pin 20) | V_{DD} | 5.5(+ 0 – 0.5) | V |
| 5 | Negative Supply Voltage (Pin 10) | V_{SS} | 0 | V |
| 6 | Duration | t | 72 | Hours |

NOTES

1. Input Protection Resistor = $R1 = 1.0k\Omega$.
2. Output Load = $R2 = 10k\Omega$.

TABLE 5(b) - CONDITIONS FOR BURN-IN HIGH TEMPERATURE REVERSE BIAS, P-CHANNELS

| No. | CHARACTERISTICS | SYMBOL | CONDITION | UNIT |
|-----|--|-----------|-----------------|-------|
| 1 | Ambient Temperature | T_{amb} | + 125(+ 0 – 5) | °C |
| 2 | Outputs - (Pins 2-5-6-9-12-15-16-19) | V_{OUT} | Open | - |
| 3 | Inputs - (Pins 1-3-4-7-8-11-13-14-17-18) | V_{IN} | V_{DD} | V |
| 4 | Positive Supply Voltage (Pin 20) | V_{DD} | 5.5(+ 0 – 0.5) | V |
| 5 | Negative Supply Voltage (Pin 10) | V_{SS} | 0 | V |
| 6 | Duration | t | 72 | Hours |

NOTES

1. Input Protection Resistor = $R1 = 1.0k\Omega$.
2. Output Load = $R2 = 10k\Omega$.

TABLE 5(c) - CONDITIONS FOR POWER BURN-IN AND OPERATING LIFE TESTS

| No. | CHARACTERISTICS | SYMBOL | CONDITIONS | UNIT |
|-----|--------------------------------------|--------------------------|---|------|
| 1 | Ambient Temperature | T_{amb} | + 125(+ 0 – 5) | °C |
| 2 | Outputs - (Pins 2-5-6-9-12-15-16-19) | V_{OUT} | $V_{DD}/2$ | V |
| 3 | Input - (Pin 1) | V_{IN} | V_{SS} | V |
| 4 | Input - (Pin 11) | V_{IN} | V_{GEN1} | Vac |
| 5 | Inputs - (Pins 3-4-7-8-13-14-17-18) | V_{IN} | V_{GEN2} | Vac |
| 6 | Pulse Voltage | V_{GEN} | 0V to V_{DD} | Vac |
| 7 | Pulse Frequency Square Wave | f_{GEN1} f_{GEN2} | 100k ± 10% 50k ± 10% 50 ± 15% Duty Cycle $t_r = t_f < 100ns$ | Hz |
| 8 | Positive Supply Voltage (Pin 20) | V_{DD} | 5.5(+ 0 – 0.5) | V |
| 9 | Negative Supply Voltage (Pin 10) | V_{SS} | 0 | V |

NOTES

1. Input Protection Resistor = Output Load = 220Ω.



FIGURE 5(a) - ELECTRICAL CIRCUIT FOR BURN-IN HIGH TEMPERATURE REVERSE BIAS, N-CHANNELS

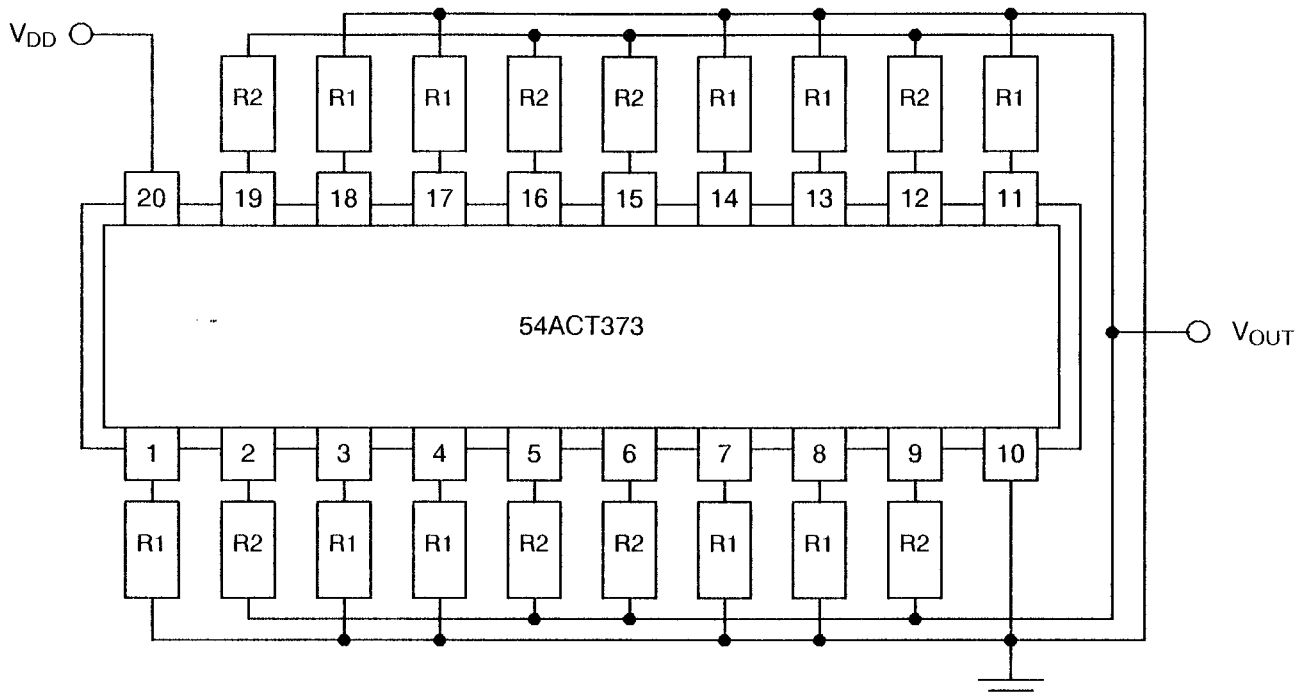


FIGURE 5(b) - ELECTRICAL CIRCUIT FOR BURN-IN HIGH TEMPERATURE REVERSE BIAS, P-CHANNELS

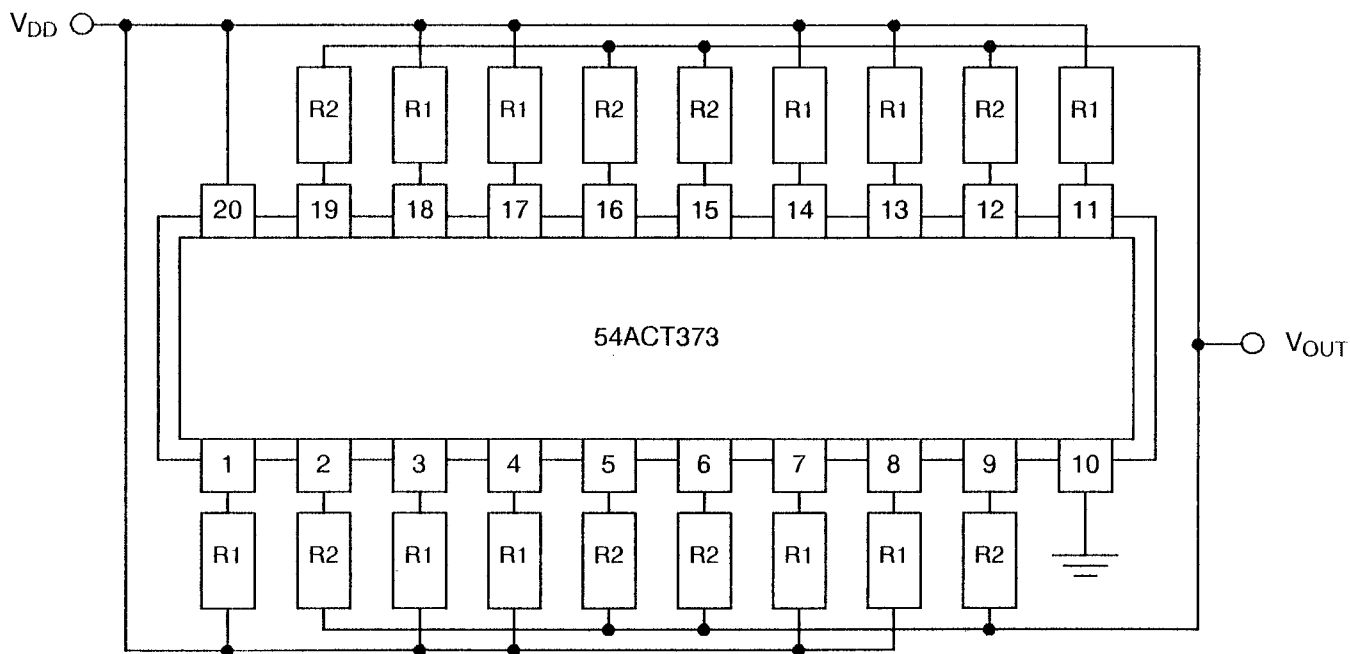
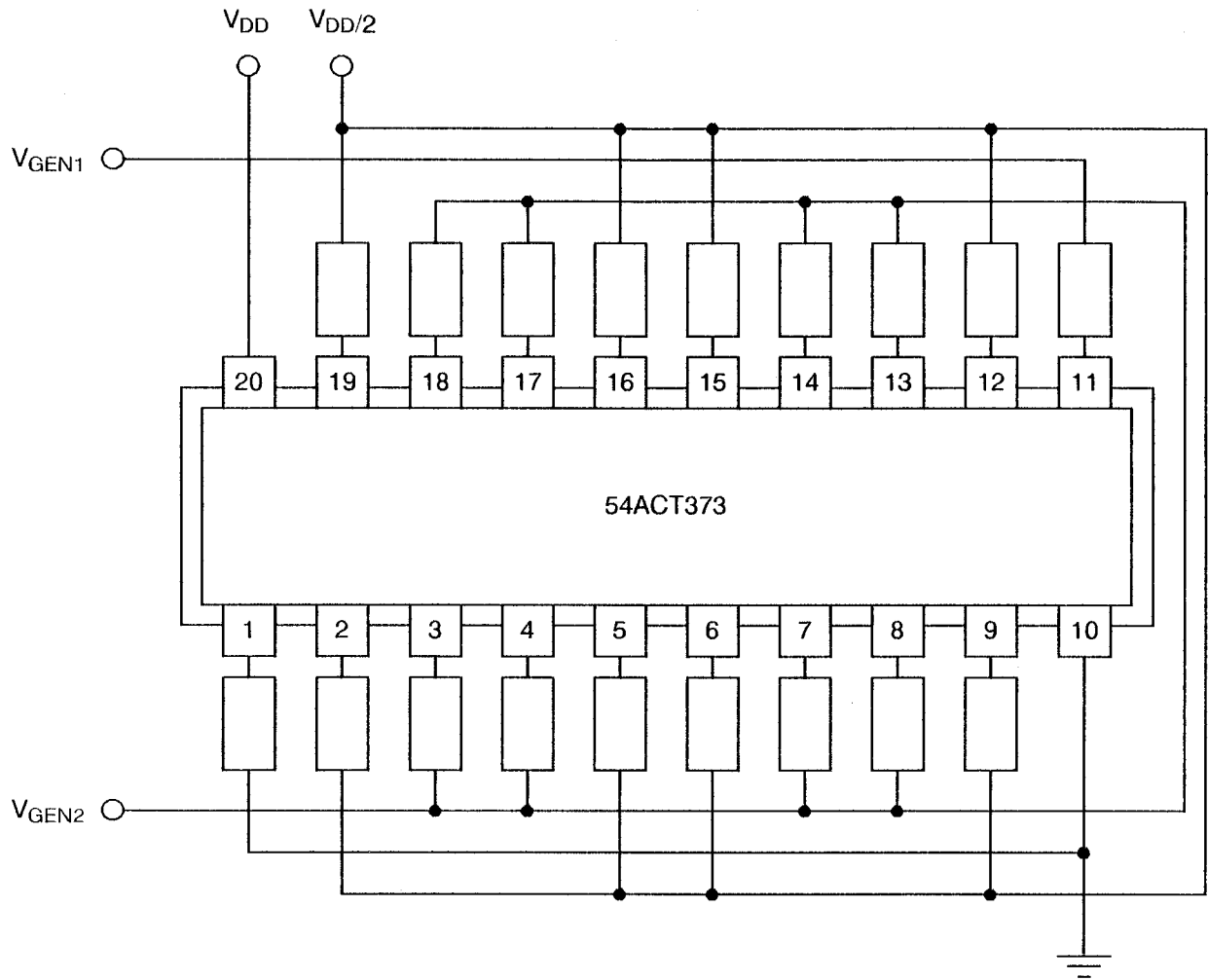




FIGURE 5(c) - ELECTRICAL CIRCUIT FOR POWER BURN-IN AND OPERATING LIFE TESTS





4.8 ENVIRONMENTAL AND ENDURANCE TESTS (CHARTS IV AND V OF ESA/SCC GENERIC SPECIFICATION NO. 9000)

4.8.1 Electrical Measurements on Completion of Environmental Tests

The parameters to be measured on completion of environmental tests are scheduled in Table 6. Unless otherwise stated, the measurements shall be performed at $T_{amb} = +22 \pm 3$ °C.

4.8.2 Electrical Measurements at Intermediate Points during Endurance Tests

The parameters to be measured at intermediate points during endurance testing are as scheduled in Table 6 of this specification. Unless otherwise stated, the measurements shall be performed at $T_{amb} = +22 \pm 3$ °C.

4.8.3 Electrical Measurements on Completion of Endurance Tests

The parameters to be measured on completion of endurance testing are as scheduled in Table 6 of this specification. Unless otherwise stated, the measurements shall be performed at $T_{amb} = +22 \pm 3$ °C.

4.8.4 Conditions for Operating Life Tests

The requirements for operating life testing are specified in Section 9 of ESA/SCC Generic Specification No. 9000. The conditions for operating life testing shall be as specified in Table 5(c) of this specification.

4.8.5 Electrical Circuits for Operating Life Tests

Circuits for use in performing the operating life tests are shown in Figure 5(c) of this specification.

4.8.6 Conditions for High Temperature Storage Test

The requirements for the high temperature storage test are specified in ESA/SCC Generic Specification No. 9000. The temperature to be applied shall be the maximum storage temperature specified in Table 1(b) of this specification.

4.9 TOTAL DOSE IRRADIATION TESTING

4.9.1 Application

If specified in Para. 4.2.1 of this specification, total dose irradiation testing shall be performed in accordance with the requirements of ESA/SCC Basic Specification No. 22900.

4.9.2 Bias Conditions

Continuous bias shall be applied during irradiation testing as shown in Figure 6 of this specification.

4.9.3 Electrical Measurements

The parameters to be measured prior to irradiation exposure are scheduled in Table 2 of this specification. Only devices which meet the requirements of Table 2 shall be included in the test sample.

The parameters to be measured during and on completion of irradiation testing are scheduled in Table 7 of this specification.

**TABLE 6 - ELECTRICAL MEASUREMENTS ON COMPLETION OF ENVIRONMENTAL TESTS AND AT INTERMEDIATE POINTS AND ON COMPLETION OF ENDURANCE TESTING**

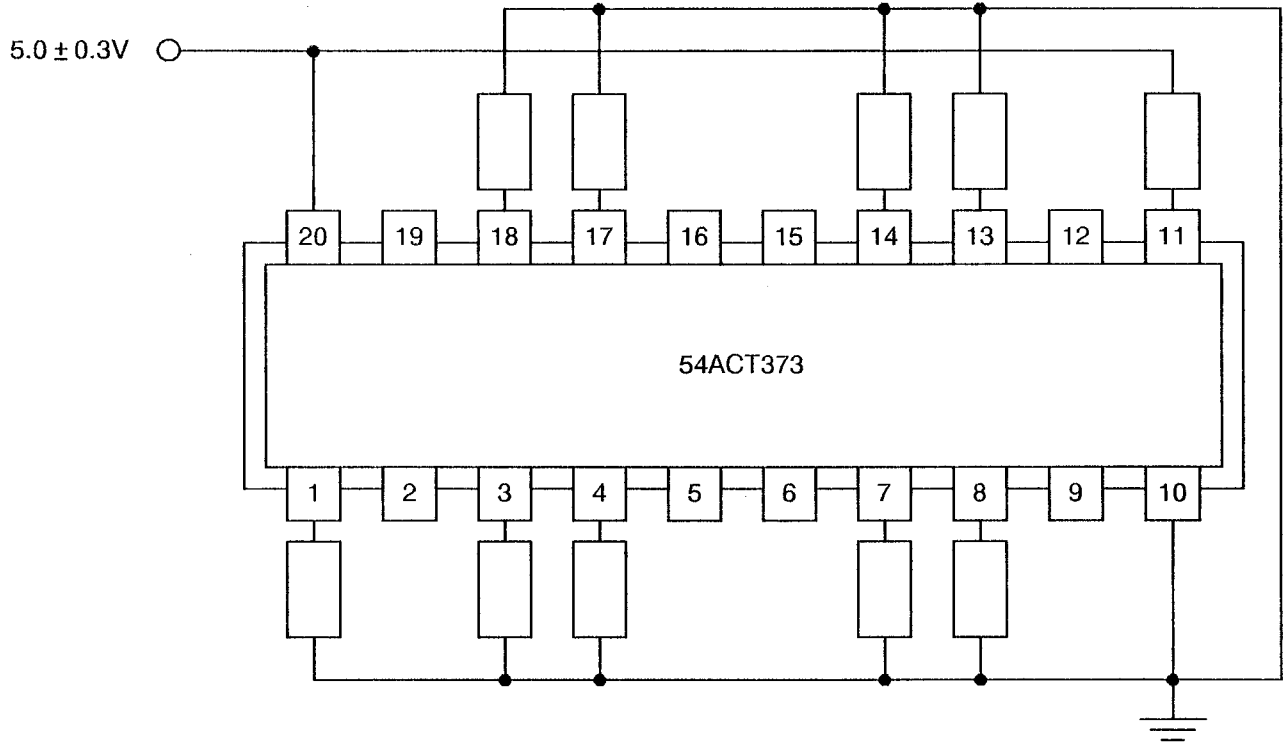
| NO. | CHARACTERISTICS | SYMBOL | SPEC. AND/OR TEST METHOD | TEST CONDITIONS | CHANGE LIMITS (Δ) NOTE 1 | ABSOLUTE | | UNIT |
|------------|---|-----------|--------------------------|-----------------|--------------------------------------|----------|------|---------|
| | | | | | | MIN | MAX | |
| 1 | Functional Test 1 | - | As per Table 2 | As per Table 2 | - | - | - | - |
| 2 | Functional Test 2 | - | As per Table 2 | As per Table 2 | - | - | - | - |
| 3 to 5 | Quiescent Current 1 | I_{DD1} | As per Table 2 | As per Table 2 | ± 0.3 | - | 1.0 | μA |
| 6 | Quiescent Current 2 | I_{DD2} | As per Table 2 | As per Table 2 | ± 0.4 | - | 1.6 | mA |
| 7 to 16 | Input Current Low Level | I_{IL} | As per Table 2 | As per Table 2 | ± 20 | - | -100 | nA |
| 17 to 26 | Input Current High Level | I_{IH} | As per Table 2 | As per Table 2 | ± 20 | - | 100 | nA |
| 51 to 58 | Output Voltage Low Level 4 | V_{OL4} | As per Table 2 | As per Table 2 | ± 0.04 | - | 0.4 | V |
| 91 to 98 | Output Voltage High Level 4 | V_{OH4} | As per Table 2 | As per Table 2 | ± 0.2 | 4.7 | - | V |
| 127 to 134 | Output Leakage Current Third State (Low Level Applied) | I_{OZL} | As per Table 2 | As per Table 2 | ± 0.2 | - | -0.5 | μA |
| 135 to 142 | Output Leakage Current Third State (High Level Applied) | I_{OZH} | As per Table 2 | As per Table 2 | ± 0.2 | - | 0.5 | μA |

NOTES

- The change limits (Δ) are applicable to the Operating Life test only. The change in parameters between initial and end point measurements shall not exceed the limits given. In addition, the absolute limits shall not be exceeded.



FIGURE 6 - BIAS CONDITIONS FOR IRRADIATION TESTING




NOTES

1. Input Protection Resistor = 1.0kΩ.

TABLE 7 - ELECTRICAL MEASUREMENTS DURING AND ON COMPLETION OF IRRADIATION TESTING

| No. | CHARACTERISTICS | SYMBOL | SPEC. AND/OR TEST METHOD | TEST CONDITIONS | CHANGE LIMITS (Δ) | ABSOLUTE | | UNIT |
|--------|---------------------|------------------|--------------------------|-----------------|-------------------|----------|-----|------|
| | | | | | | MIN | MAX | |
| 1 | Functional Test 1 | - | As per Table 2 | As per Table 2 | - | - | - | - |
| 2 | Functional Test 2 | - | As per Table 2 | As per Table 2 | - | - | - | - |
| 3 to 5 | Quiescent Current 1 | I _{DD1} | As per Table 2 | As per Table 2 | - | - | 100 | μA |

| | | | |
|---|--|--|----------------------------|
|  | <p>ESA/SCC Detail Specification No. 9203/074</p> | | <p>PAGE 41 ISSUE 1</p> |
|---|--|--|----------------------------|

APPENDIX 'A'

Page 1 of 1

AGREED DEVIATIONS FOR MOTOROLA (F)

| ITEMS AFFECTED | DESCRIPTION OF DEVIATIONS |
|----------------|--|
| Para. 4.2.1(a) | Para. 5.2.2, Total Dose Irradiation Testing: Shall not be performed during qualification and maintenance of qualification. |