



europaean space agency
agence spatiale européenne

Pages 1 to 32

**INTEGRATED CIRCUITS, SILICON MONOLITHIC,
BIPOLAR, ADVANCED LOW POWER SCHOTTKY,
DUAL, 4-BIT, D-TYPE EDGE-TRIGGERED
FLIP-FLOPS WITH 3-STATE BUFFERED OUTPUTS,
BASED ON TYPES 54ALS874, 54ALS874A
AND 54ALS874B**

ESA/SCC Detail Specification No. 9203/046



**space components
coordination group**

Issue/Rev.	Date	Approved by	
		SCCG Chairman	ESA Director General or his Deputy
Issue 2	February 1992	<i>Pommes</i>	<i>[Signature]</i>
Revision 'A'	March 1994	<i>Pommes</i>	<i>[Signature]</i>
Revision 'B'	July 1994	<i>Pommes</i>	<i>[Signature]</i>



DOCUMENTATION CHANGE NOTICE

Rev. Letter	Rev. Date	Reference	CHANGE Item	Approved DCR No.
		<p>This Issue supersedes Issue 1 and incorporates all modifications defined in Revisions 'A' and 'B' to Issue 1 and the following DCR's:-</p> <p>Cover Page : None</p> <p>DCN : None</p> <p>Table 1(a) : Lead Materials and/or Finishes amended 22973</p> <p>Figures 2 : Imperial dimensions and references deleted 22973</p> <p>Figure 2(a) : Original Figure deleted, New Figure added 22973</p> <p>Figure 2(b) : In Table, dimensions A, B, D, F, amended. 22973</p> <p>Figure 2(c) : In drawing, Note 6 corrected to "10" 22973</p> <p>: In Table, dimensions b1, c, D, E, E1, H, L amended 22973</p> <p>Notes to Figures : Title amended 22973</p> <p>: Note 1, Amended to read "...Figure 2(b)" 22973</p> <p>Figure 3(a) : Comparison table added 22973</p> <p>Figure 3(b) : Note 2 added 22973</p> <p>Para. 4.2.2 : Deviation deleted, "None." added 21048</p> <p>Para. 4.2.4 : Deviation deleted, "None." added 22919</p> <p>Para. 4.2.5 : Deviation deleted, "None." added 22919</p> <p>Para. 4.4.2 : Paragraph amended 22973</p> <p>Para. 4.5.2 : Amended to read "...Figure 2(b)" 22973</p> <p>Para. 4.5.3 : "Type Variant, as applicable" amended to refer to Table 1(a) 23455</p> <p>Para. 4.6.3 : Reference to functional test sequence deleted 23455</p> <p>Para. 4.7.1 : Expanded to identify the stated temperature as T_{amb} 23455</p> <p>Figure 5 : "And 54ALS874A" added to drawing 22973</p> <p>Para. 4.8 : Title expanded 23455</p>		
'A'	Mar. '94	P1. Cover Page : Type 54ALS874B added		221048
		P2. DCN		None
		P5. Para. 1.1 : Type 54ALS874B added		221048
		P6. Table 1(a) : Type 54ALS874B added (Variants 13 to 18)		221048
		P15. Para. 4.3.2 : Weight for DIL package amended		221047
		P18. Table 2d.c. : In items 90 to 97, 115 and 116: reference to Variants 07 to 12 changed to 07 to 18		221048
		P23. Table 3 : In items 90 to 97, 115 and 116: reference to Variants 07 to 12 changed to 07 to 18		221048
		P29. Figure 5 : Reference to Type 54ALS874B added		221048
'B'	July '94	P1. Cover Page : Title corrected		23660
		P2. DCN		None




 SCC	ESA/SCC Detail Specification No. 9203/046		PAGE 3 ISSUE 2
--	--	--	-------------------

TABLE OF CONTENTS

		<u>Page</u>
1.	<u>GENERAL</u>	5
1.1	Scope	5
1.2	Component Type Variants	5
1.3	Maximum Ratings	5
1.4	Parameter Derating Information	5
1.5	Physical Dimensions	5
1.6	Pin Assignment	5
1.7	Truth Table	5
1.8	Circuit Schematic	5
1.9	Functional Diagram	5
2.	<u>APPLICABLE DOCUMENTS</u>	14
3.	<u>TERMS, DEFINITIONS, ABBREVIATIONS, SYMBOLS AND UNITS</u>	14
4.	<u>REQUIREMENTS</u>	14
4.1	General	14
4.2	Deviations from Generic Specification	14
4.2.1	Deviations from Special In-process Controls	14
4.2.2	Deviations from Final Production Tests	14
4.2.3	Deviations from Burn-in Tests	14
4.2.4	Deviations from Qualification Tests	14
4.2.5	Deviations from Lot Acceptance Tests	15
4.3	Mechanical Requirements	15
4.3.1	Dimension Check	15
4.3.2	Weight	15
4.4	Materials and Finishes	15
4.4.1	Case	15
4.4.2	Lead Material and Finish	15
4.5	Marking	15
4.5.1	General	15
4.5.2	Lead Identification	15
4.5.3	The SCC Component Number	16
4.5.4	Traceability Information	16
4.6	Electrical Measurements	16
4.6.1	Electrical Measurements at Room Temperature	16
4.6.2	Electrical Measurements at High and Low Temperatures	16
4.6.3	Circuits for Electrical Measurements	16
4.7	Burn-in Tests	16
4.7.1	Parameter Drift Values	16
4.7.2	Conditions for Power Burn-in	16
4.7.3	Electrical Circuits for Power Burn-in	16
4.8	Environmental and Endurance Tests	30
4.8.1	Electrical Measurements on Completion of Environmental Tests	30
4.8.2	Electrical Measurements at Intermediate Points during Endurance Tests	30
4.8.3	Electrical Measurements on Completion of Endurance Tests	30
4.8.4	Conditions for Operating Life Tests	30
4.8.5	Electrical Circuits for Operating Life Tests	30
4.8.6	Conditions for High Temperature Storage Test	30

		<p style="text-align: center;">ESA/SCC Detail Specification No. 9203/046</p>		<p>PAGE 4 ISSUE 2</p>
---	---	--	--	---------------------------

TABLES



		<u>Page</u>
1(a)	Type Variants	6
1(b)	Maximum Ratings	6
2	Electrical Measurements at Room Temperature, d.c. Parameters	17
	Electrical Measurements at Room Temperature, a.c. Parameters	19
3	Electrical Measurements at High and Low Temperatures	22
4	Parameter Drift Values	28
5	Conditions for Power Burn-in and Operating Life Test	28
6	Electrical Measurements on Completion of Environmental Tests and at Intermediate Points and on Completion of Endurance Tests	31

FIGURES

1	Not applicable	
2	Physical Dimensions	7
3(a)	Pin Assignment	11
3(b)	Truth Table	12
3(c)	Circuit Schematic	13
3(d)	Functional Diagram	13
4	Circuits for Electrical Measurements	24
5	Electrical Circuit for Power Burn-in and Operating Life Test	29

APPENDICES (Applicable to specific Manufacturers only)

'A'	Agreed Deviations for Texas Instruments (F)	32
-----	---	----

		<p>ESA/SCC Detail Specification No. 9203/046</p>	<p>Rev. 'A'</p>	<p>PAGE 5</p>	<p>ISSUE 2</p>
--	---	--	-----------------	---------------	----------------

1. GENERAL

1.1 SCOPE

This specification details the ratings, physical and electrical characteristics, test and inspection data for a silicon monolithic, bipolar, advanced low power Schottky, Dual, 4-Bit, D-Type Edge-Triggered Flip-Flop with 3-State Buffered Outputs, based on Types 54ALS874, 54ALS874A and 54ALS874B. It shall be read in conjunction with ESA/SCC Generic Specification No. 9000, the requirements of which are supplemented herein.

1.2 COMPONENT TYPE VARIANTS

Variants of the basic type integrated circuits specified herein, which are also covered by this specification, are given in Table 1(a).

1.3 MAXIMUM RATINGS

The maximum ratings, which shall not be exceeded at any time during use or storage, applicable to the integrated circuits specified herein, are as scheduled in Table 1(b).

1.4 PARAMETER DERATING INFORMATION (FIGURE 1)

Not applicable.

1.5 PHYSICAL DIMENSIONS

The physical dimensions of the integrated circuits specified herein are shown in Figure 2.

1.6 PIN ASSIGNMENT

As per Figure 3(a).

1.7 TRUTH TABLE

As per Figure 3(b).

1.8 CIRCUIT SCHEMATIC

As per Figure 3(c).

1.9 FUNCTIONAL DIAGRAM

As per Figure 3(d).



 	ESA/SCC Detail Specification No. 9203/046	Rev. 'A'	PAGE 6
			ISSUE 2

TABLE 1(a) - TYPE VARIANTS

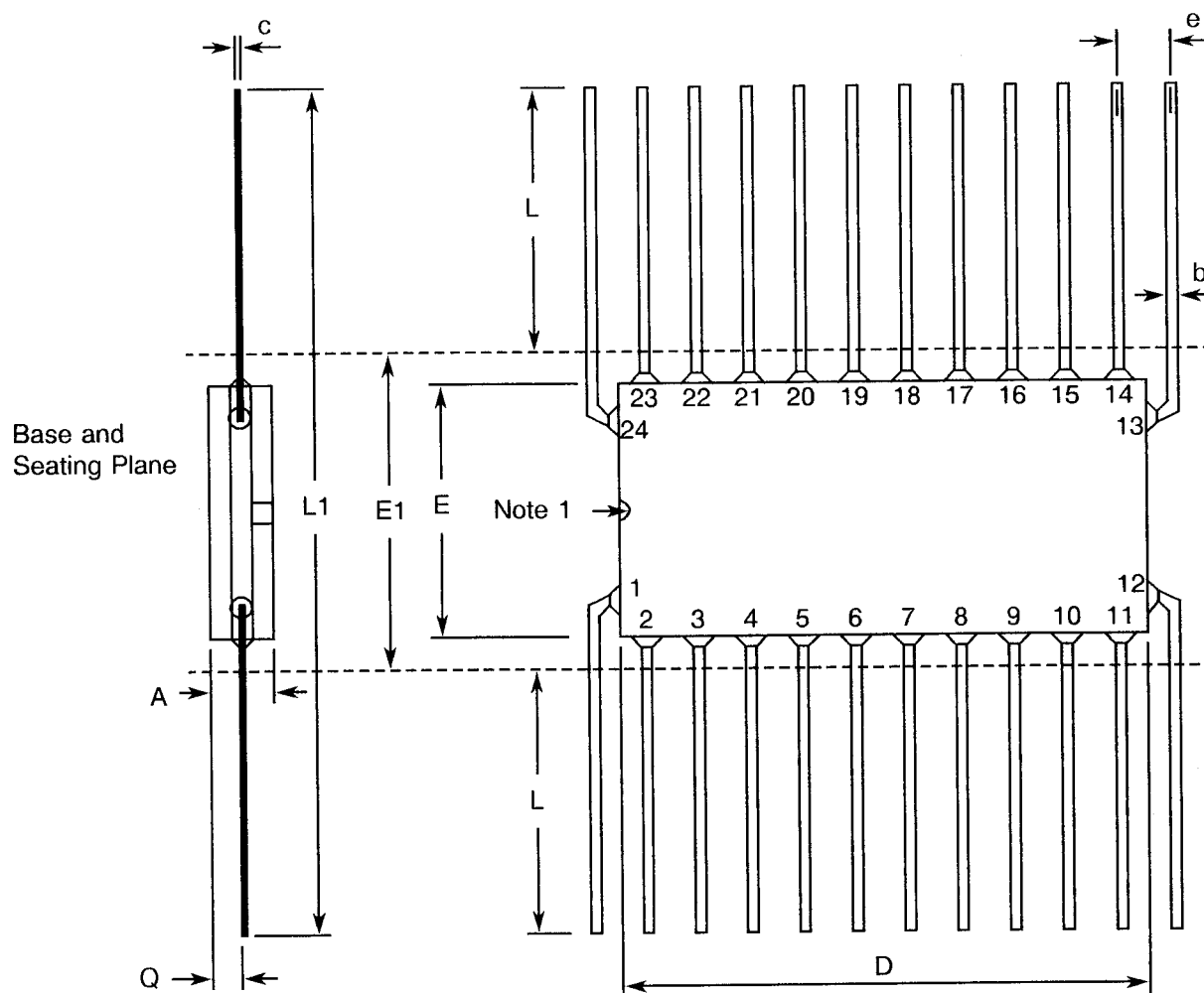
VARIANT	TYPE	CASE	FIGURE	LEAD MATERIAL AND/OR FINISH
01	54ALS874	FLAT	2(a)	D7
02	54ALS874	FLAT	2(a)	G4
03	54ALS874	CCP	2(b)	7
04	54ALS874	CCP	2(b)	4
05	54ALS874	DIL	2(c)	D7
06	54ALS874	DIL	2(c)	G4
07	54ALS874A	FLAT	2(a)	D7
08	54ALS874A	FLAT	2(a)	G4
09	54ALS874A	CCP	2(b)	7
10	54ALS874A	CCP	2(b)	4
11	54ALS874A	DIL	2(c)	D7
12	54ALS874A	DIL	2(c)	G4
13	54ALS874B	FLAT	2(a)	D7
14	54ALS874B	FLAT	2(a)	G4
15	54ALS874B	CCP	2(b)	7
16	54ALS874B	CCP	2(b)	4
17	54ALS874B	DIL	2(c)	D7
18	54ALS874B	DIL	2(c)	G4

TABLE 1(b) - MAXIMUM RATINGS

NO.	CHARACTERISTICS	SYMBOL	MAXIMUM RATINGS	UNIT	REMARKS
1	Supply Voltage	V_{CC}	- 0.5 to 7.0	V	-
2	Input Voltage	V_{IN}	- 0.5 to 7.0	V	Note 1
3	Voltage Applied to Disabled 3-State Output	V_Z	5.5	V	-
4	Device Dissipation Variants 01 to 06 Variants 07 to 12	P_D	170.5 176	mWdc	Note 2
5	Operating Temperature Range	T_{op}	- 55 to + 125	°C	-
6	Storage Temperature Range	T_{stg}	- 65 to + 150	°C	-
7	Soldering Temperature For FP and DIP For CCP	T_{sol}	+ 265 + 245	°C	Note 3 Note 4

NOTES

1. Input Current limited to - 18mA.
2. Must withstand added P_D due to short circuit conditions (i.e. I_{OS}) at 1 output for 5 seconds.
3. Duration 10 seconds maximum at a distance of not less than 1.5mm from the package and the same lead shall not be resoldered until 3 minutes have elapsed.
4. Duration 5 seconds maximum and the same terminal shall not be resoldered until 3 minutes have elapsed.

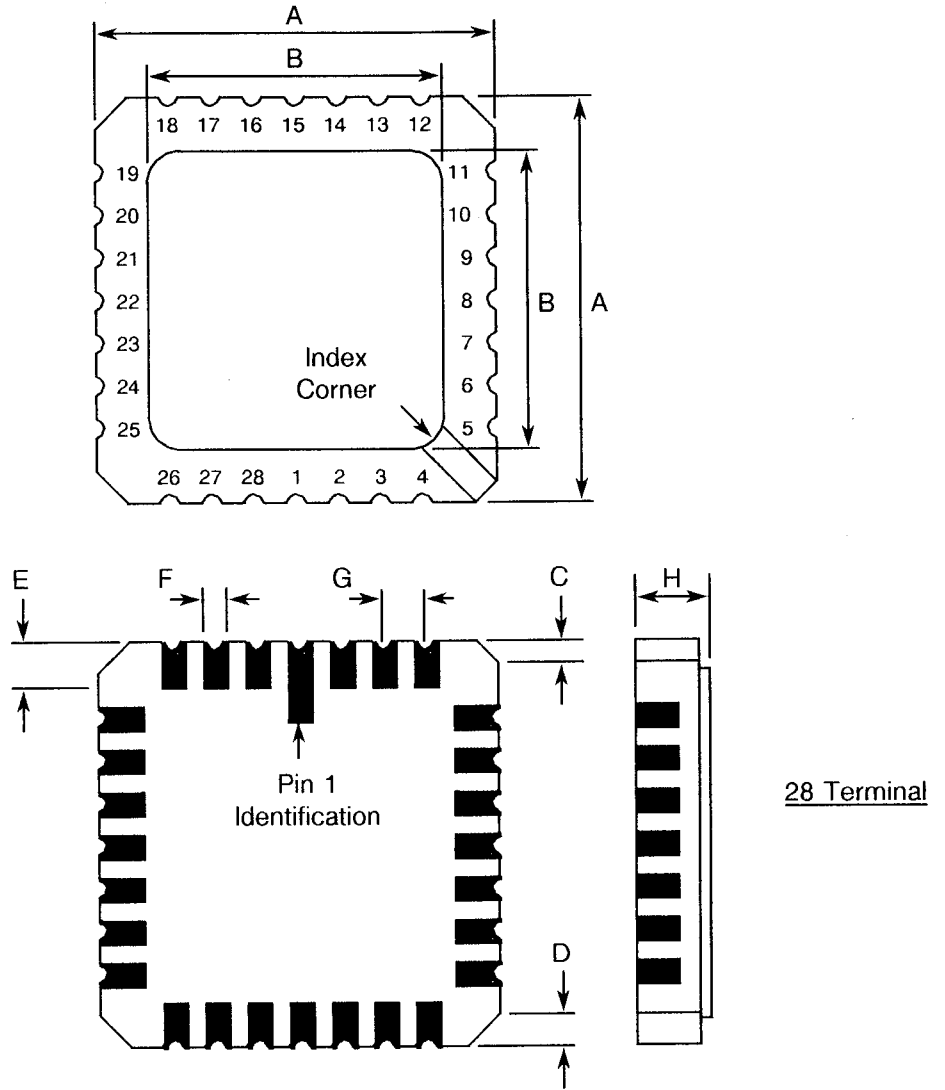
FIGURE 2 - PHYSICAL DIMENSIONS
FIGURE 2(a) - FLAT PACKAGE, 24 PIN


SYMBOL	MILLIMETRES		NOTES
	MIN	MAX	
A	1.39	2.16	
b	0.38	0.56	8
c	0.08	0.23	8
D	12.30	-	
E	8.50	10.10	
E1	10.16 TYPICAL		4
e	1.27 TYPICAL		5, 9
L	6.98	10.16	
L1	24.13	30.48	
Q	0.25	1.02	2



FIGURE 2 - PHYSICAL DIMENSIONS (CONTINUED)

FIGURE 2(b) - SQUARE CHIP CARRIER PACKAGE (3 LAYER BASE)



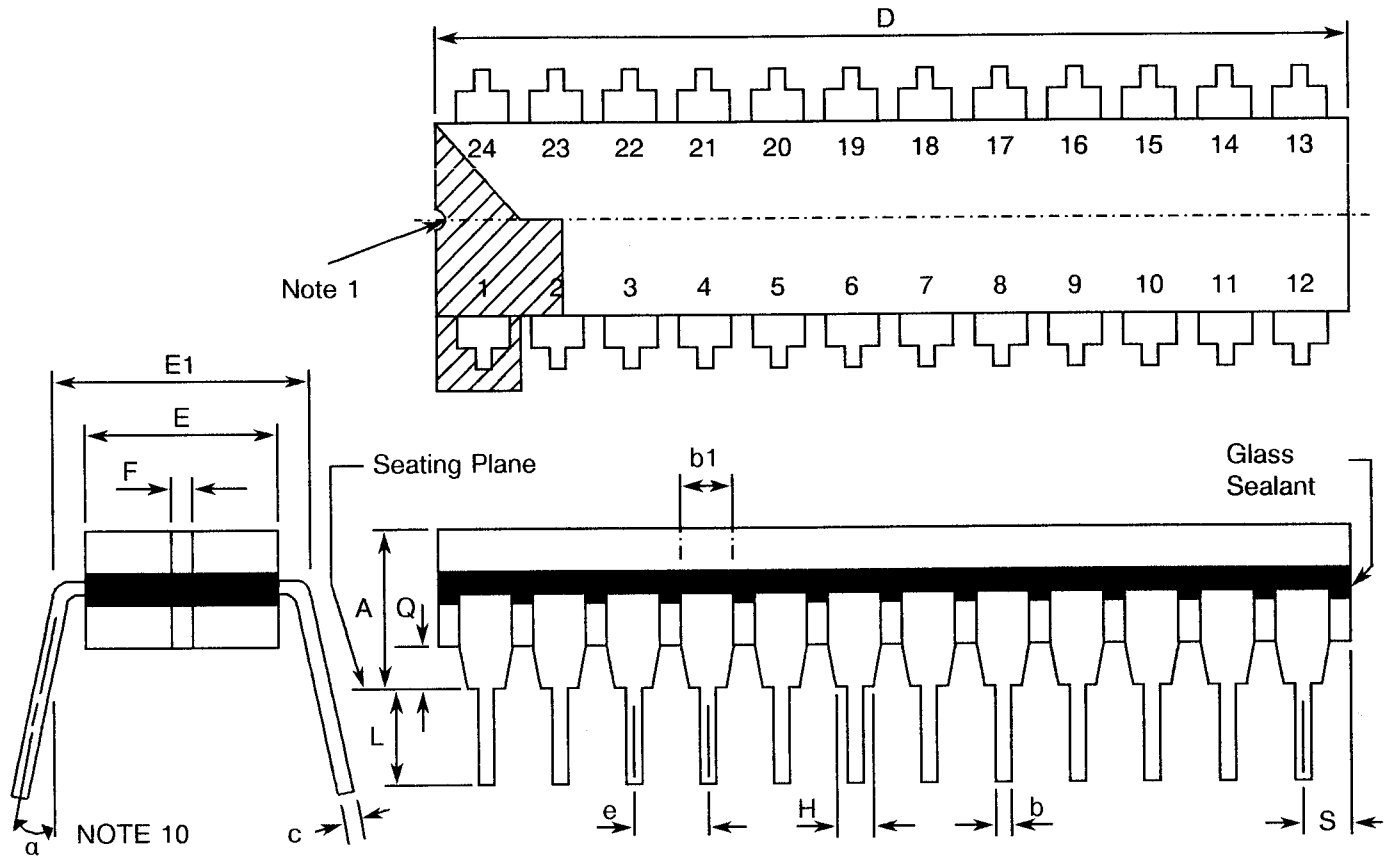
SYMBOL	MILLIMETRES		NOTES
	MIN	MAX	
A	11.23	11.63	
B	10.31	11.63	
C	0.25	0.51	11
D	0.89	1.14	12
E	1.14	1.40	8
F	0.56	0.71	8
G	1.27 TYPICAL		5, 9
H	1.63	2.54	

NOTES: See Page 10.



FIGURE 2 - PHYSICAL DIMENSIONS (CONTINUED)

FIGURE 2(c) - DUAL-IN-LINE PACKAGE, 24 PIN



SYMBOL	MILLIMETRES		NOTES
	MIN	MAX	
A	-	5.08	
b	0.38	0.66	8
b1	-	1.78	8
c	0.20	0.44	8
D	31.50	32.51	4
E	6.22	7.62	4
E1	7.37	8.13	4
e	2.54 TYPICAL		6, 9
F	1.27 TYPICAL		
H	0.76	-	8
L	3.30	5.08	8
Q	0.51	-	3
S	1.78	2.54	7
a	0°	15°	10

NOTES: See Page 10.


	<p style="text-align: center;">ESA/SCC Detail Specification No. 9203/046</p>		<p>PAGE 10 ISSUE 2</p>
--	--	--	----------------------------

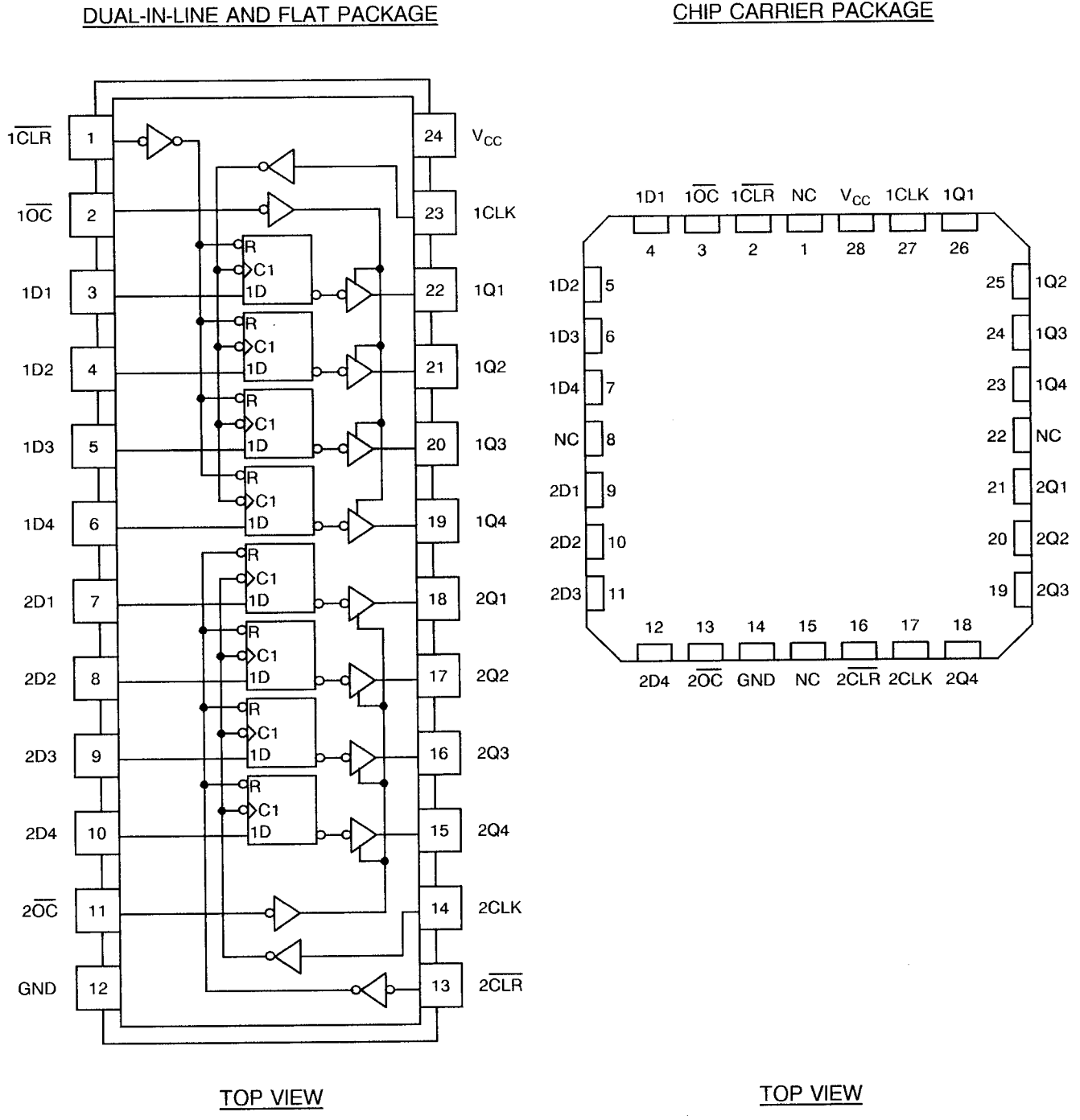
FIGURE 2 - PHYSICAL DIMENSIONS (CONTINUED)

NOTES TO FIGURES 2(a) TO 2(c) INCLUSIVE

1. Index area; a notch or dot shall be located adjacent to Pin 1 and shall be within the shaded area shown. For chip carrier packages the index shall be as defined in Figure 2(b).
2. Dimension Q shall be measured at the point of exit of the lead from the body.
3. Dimension Q shall be measured from the seating plane to the base plane.
4. This dimension allows for off-centre lids, meniscus and glass overrun.
5. The true position pin or terminal spacing is 1.27mm between centrelines. Each pin or terminal centreline shall be located within ± 0.13 mm of its true longitudinal position relative to Pins 1 and the highest pin number.
6. The true position pin spacing is 2.54mm between centrelines. Each pin centreline shall be located within ± 0.25 mm of its true longitudinal position relative to Pins 1 and the highest pin number.
7. Applies to all 4 corners.
8. All leads or terminals.
9. 22 spaces for flat and dual-in-line packages.
26 spaces for chip carrier packages.
10. Lead centre when α is 0° .
11. Index corner only - 2 dimensions.
12. 3 non-index corners - 6 dimensions.



FIGURE 3(a) - PIN ASSIGNMENT



FLAT PACKAGE AND DUAL-IN-LINE TO CHIP CARRIER PIN ASSIGNMENT

FLAT PACKAGE AND DUAL-IN-LINE PIN OUTS	1	2	3	4	5	6	7	8	9	10	11	12	13	14	15	16	17	18	19	20	21	22	23	24
CHIP CARRIER PIN OUTS	2	3	4	5	6	7	9	10	11	12	13	14	16	17	18	19	20	21	23	24	25	26	27	28

**FIGURE 3(b) - TRUTH TABLE**

(EACH FLIP-FLOP)

INPUTS				OUTPUT
\overline{OC}	\overline{CLR}	CLK	D	Q
L	L	X	X	L
L	H	↑	H	H
L	H	↑	L	L
L	H	L	X	Q ₀
H	X	X	X	Z

NOTES

1. Q₀ = Level of Q before indicated steady-state input conditions were established.
2. Logic Level Definitions: L = Low Level, H = High Level, Z = High Impedance, X = Irrelevant.
3. ↑ = Transition from Low to High Level.

FIGURE 3(c) - CIRCUIT SCHEMATIC

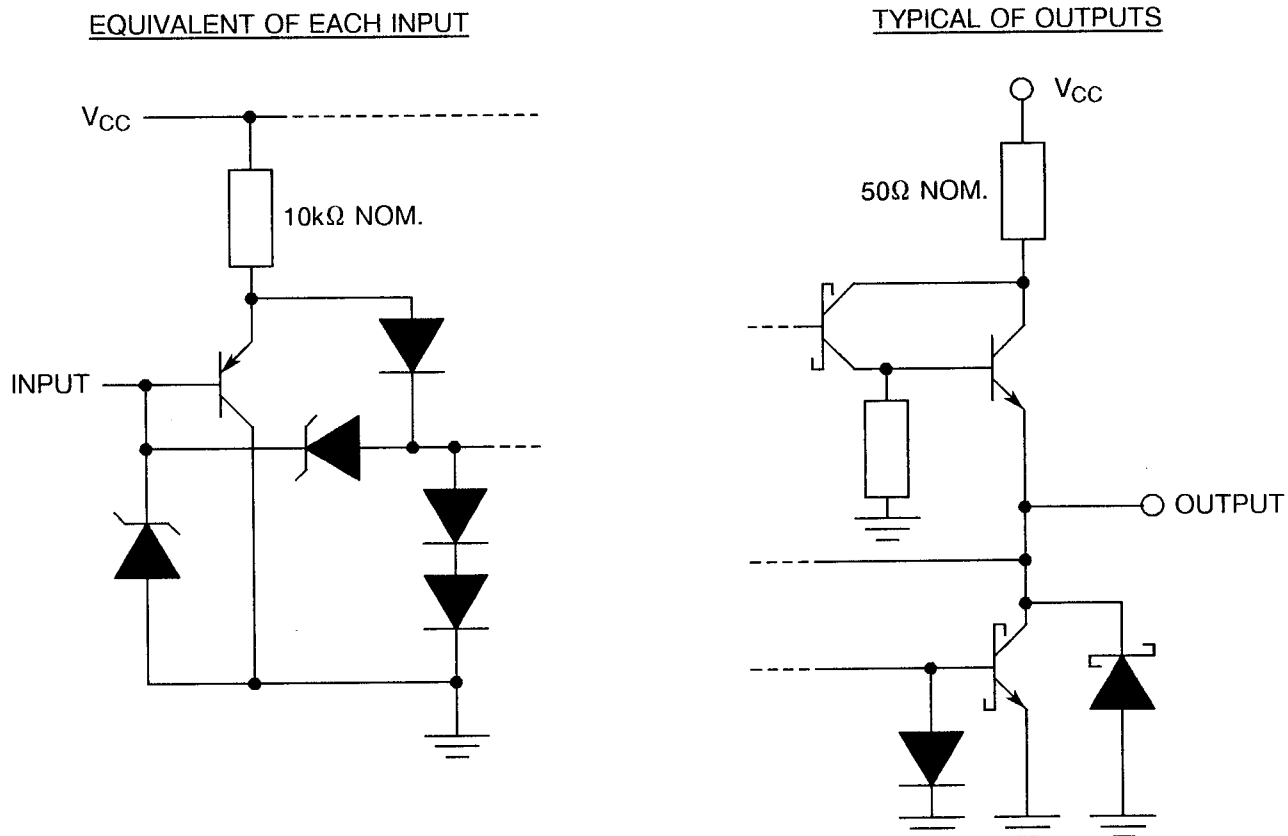
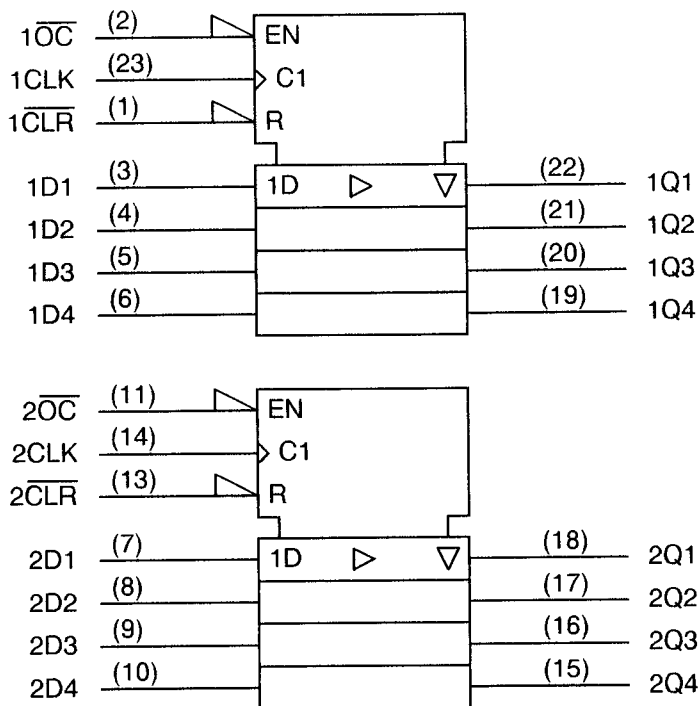




FIGURE 3(d) - FUNCTIONAL DIAGRAM



NOTES

1. Pin numbers shown are for flat and dual-in-line packages; for chip carrier pins, see Figure 3(a).

 	<p style="text-align: center;">ESA/SCC Detail Specification No. 9203/046</p>		<p>PAGE 14 ISSUE 2</p>
--	--	--	----------------------------

2. APPLICABLE DOCUMENTS

The following documents form part of this specification and shall be read in conjunction with it:-

- (a) ESA/SCC Generic Specification No. 9000 for Integrated Circuits.
- (b) MIL-STD-883, Test Methods and Procedures for Micro-electronics.

3. TERMS, DEFINITIONS, ABBREVIATIONS, SYMBOLS AND UNITS

For the purpose of this specification, the terms, definitions, abbreviations, symbols and units specified in ESA/SCC Basic Specification No. 21300 shall apply. In addition, the following abbreviation is used:-

- IOS/2 - One half of the true output short circuit current.
- IOZH - Off state, output current high.
- IOZL - Off state, output current low.
- IOCCZ - Supply current, outputs disabled.

4. REQUIREMENTS

4.1 GENERAL

The complete requirements for procurement of the integrated circuits specified herein shall be as stated in this specification and ESA/SCC Generic Specification No. 9000 for Integrated Circuits. Deviations from the Generic Specification, applicable to this specification only, are listed in Para. 4.2.

Deviations from the applicable Generic Specification and this Detail Specification, formally agreed with specific Manufacturers on the basis that the alternative requirements are equivalent to the ESA/SCC requirements and do not affect the components' reliability, are listed in the appendices attached to this specification.

4.2 DEVIATIONS FROM GENERIC SPECIFICATION

4.2.1 Deviations from Special In-process Controls

None.

4.2.2 Deviations from Final Production Tests (Chart II)

None.

4.2.3 Deviations from Burn-in Tests (Chart III)

- (a) Para. 7.1.1(a), "High Temperature Reverse Bias" tests and subsequent electrical measurements related to this test shall be omitted.
- (b) Para. 9.9.2, "Electrical Measurements at High and Low Temperatures": Only a test result summary, based on go-no-go tests and presented in histogram form is required.

4.2.4 Deviations from Qualification Tests (Chart IV)

None.



4.2.5 Deviations from Lot Acceptance Tests (Chart V)

None.

4.3 MECHANICAL REQUIREMENTS

4.3.1 Dimension Check

The dimensions of the integrated circuits specified herein shall be checked. They shall conform to those shown in Figure 2.

4.3.2 Weight

The maximum weight of the integrated circuits specified herein shall be 1.5 grammes for the flat package, 1.4 grammes for the chip carrier package and 5.0 grammes for the dual-in-line package.

4.4 MATERIALS AND FINISHES

The materials and finishes shall be as specified herein. Where a definite material is not specified, a material which will enable the integrated circuits specified herein to meet the performance requirements of this specification shall be used. Acceptance or approval of any constituent material does not guarantee acceptance of the finished product.

4.4.1 Case

The case shall be hermetically sealed and have a metal body with hard glass seals or a ceramic body and the lids shall be welded, brazed, preform-soldered or glass frit-sealed.

4.4.2 Lead Material and Finish

For dual-in-line and flat packages, the material shall be either Type 'D' or Type 'G' with either Type '4' or Type '7' finish in accordance with the requirements of ESA/SCC Basic Specification No.23500. For chip carrier packages, the finish shall be either Type '4' or Type '7' in accordance with the requirements of ESA/SCC Basic Specification No. 23500. (See Table 1(a) for Type Variants).

4.5 MARKING

4.5.1 General

The marking of all components delivered to this specification shall be in accordance with the requirements of ESA/SCC Basic Specification No. 21700. Each component shall be marked in respect of:-

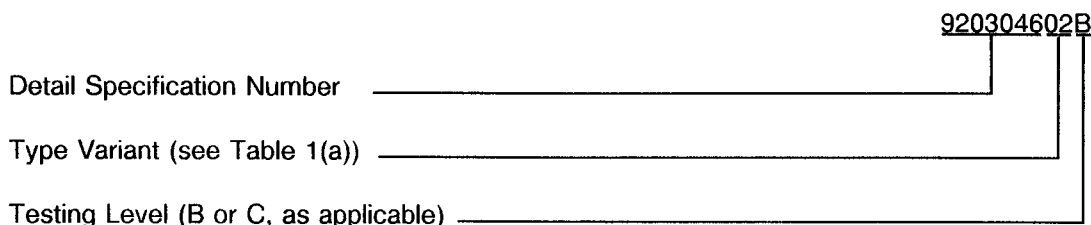
- (a) Lead Identification.
- (b) The SCC Component Number.
- (c) Traceability Information.

4.5.2 Lead Identification

For dual-in-line and flat packages, an index shall be located at the top of the package in the position defined in Note 1 to Figure 2 or, alternatively, a tab may be used to identify Pin No. 1. The pin numbering must be read with the index or tab on the left-hand side. For chip carrier packages, the index shall be as defined by Figure 2(b).

4.5.3 The SCC Component Number

Each component shall bear the SCC Component Number which shall be constituted and marked as follows:



4.5.4 Traceability Information

Each component shall be marked in respect of traceability information in accordance with the requirements of ESA/SCC Basic Specification No. 21700.

4.6 ELECTRICAL MEASUREMENTS

4.6.1 Electrical Measurements at Room Temperature

The parameters to be measured in respect of electrical characteristics are scheduled in Table 2. Unless otherwise specified, the measurements shall be performed at $T_{amb} = +22 \pm 3$ °C.

4.6.2 Electrical Measurements at High and Low Temperatures

The parameters to be measured at high and low temperatures are scheduled in Table 3. The measurements shall be performed at $T_{amb} = +125(+0 - 5)$ °C and $-55(+5 - 0)$ °C respectively.

4.6.3 Circuits for Electrical Measurements

Circuits for use in performing electrical measurements listed in Tables 2 and 3 of this specification are shown in Figure 4.

4.7 BURN-IN TESTS

4.7.1 Parameter Drift Values

The parameter drift values applicable to burn-in are specified in Table 4 of this specification. Unless otherwise stated, measurements shall be performed at $T_{amb} = +22 \pm 3$ °C. The parameter drift values (Δ) applicable to the parameters scheduled, shall not be exceeded. In addition to these drift value requirements, the appropriate limit value specified for a given parameter in Table 2 shall not be exceeded.

4.7.2 Conditions for Power Burn-in

The requirements for power burn-in are specified in Section 7 of ESA/SCC Generic Specification No. 9000. The conditions for power burn-in shall be as specified in Table 5 of this specification.

4.7.3 Electrical Circuits for Power Burn-in

Circuits for use in performing the power burn-in tests are shown in Figure 5 of this specification.



SEC

ESA/SCC Detail Specification

No. 9203/046

PAGE 17

ISSUE 2

TABLE 2 - ELECTRICAL MEASUREMENTS AT ROOM TEMPERATURE - d.c. PARAMETERS

NO.	CHARACTERISTICS	SYMBOL	TEST METHOD MIL-STD 883	TEST FIG.	TEST CONDITIONS (PINS UNDER TEST D/F = DIP AND FP C = CCP)	LIMITS		UNIT
						MIN	MAX	
1	Functional Test	-	-	3(b)	Verify Truth Table with Load. Note 1	-	-	-
2 to 15	Input Current High Level 1	I_{IH1}	3010	4(a)	$V_{CC} = 5.5V$, $V_{IN} = 2.7V$ (Pins D/F 1-2-3-4-5-6-7-8-9-10-11-13-14-23) (Pins C 2-3-4-5-6-7-9-10-11-12-13-16-17-27)	-	20	μA
16 to 29	Input Current High Level 2 (Max. Input Voltage)	I_{IH2}	3010	4(a)	$V_{CC} = 5.5V$, $V_{IN} = 7.0V$ (Pins D/F 1-2-3-4-5-6-7-8-9-10-11-13-14-23) (Pins C 2-3-4-5-6-7-9-10-11-12-13-16-17-27)	-	100	μA
30 to 43	Input Clamp Voltage	V_{IC}	3008	4(b)	$V_{CC} = 4.5V$, $I_{IN} = -18mA$ Note 2 (Pins D/F 1-2-3-4-5-6-7-8-9-10-11-13-14-23) (Pins C 2-3-4-5-6-7-9-10-11-12-13-16-17-27)	-	-1.5	V
44 to 57	Input Current Low Level	I_{IL}	3009	4(c)	$V_{CC} = 5.5V$, $V_{IL} = 0.4V$ (Pins D/F 1-2-3-4-5-6-7-8-9-10-11-13-14-23) (Pins C 2-3-4-5-6-7-9-10-11-12-13-16-17-27)	-	-200	μA
58 to 65	Output Voltage Low Level	V_{OL}	3007	4(d)	$V_{CC} = 4.5V$, $V_{IH} = 2.0V$ $V_{IL} = 0.7V$, $I_{OL} = 12mA$ (Pins D/F 15-16-17-18-19-20-21-22) (Pins C 18-19-20-21-23-24-25-26)	-	0.4	V
66 to 73	Output Voltage High Level 1	V_{OH1}	3006	4(e)	$V_{CC} = 4.5V$, $V_{IH} = 2.0V$ $V_{IL} = 0.7V$, $I_{OH} = -1.0mA$ (Pins D/F 15-16-17-18-19-20-21-22) (Pins C 18-19-20-21-23-24-25-26)	2.4	-	V
74 to 81	Output Voltage High Level 2	V_{OH2}	3006	4(e)	$V_{CC} = 4.5V$, $V_{IH} = 2.0V$ $V_{IL} = 0.7V$, $I_{OH} = -0.4mA$ (Pins D/F 15-16-17-18-19-20-21-22) (Pins C 18-19-20-21-23-24-25-26)	2.5	-	V

NOTES: See Page 21.



SCC

ESA/SCC Detail Specification
No. 9203/046

Rev. 'A'

PAGE 18

ISSUE 2

TABLE 2 - ELECTRICAL MEASUREMENTS AT ROOM TEMPERATURE - d.c. PARAMETERS (CONT'D)

NO.	CHARACTERISTICS	SYMBOL	TEST METHOD MIL-STD 883	TEST FIG.	TEST CONDITIONS (PINS UNDER TEST D/F = DIP AND FP C = CCP)	LIMITS		UNIT
						MIN	MAX	
82 to 89	Output Voltage High Level 3	V_{OH3}	3006	4(e)	$V_{CC} = 5.5V$, $V_{IH} = 2.0V$ $V_{IL} = 0.7V$, $I_{OH} = -0.4mA$ (Pins D/F 15-16-17-18-19-20-21-22) (Pins C 18-19-20-21-23-24-25-26)	3.5	-	V
90 to 97	One Half of the True Output Short Circuit Current	$I_{OS/2}$	3011	4(f)	$V_{CC} = 5.5V$, $V_{OUT} = 2.25V$ Note 3 Variants 01 to 06 Variants 07 to 18 (Pins D/F 15-16-17-18-19-20-21-22) (Pins C 18-19-20-21-23-24-25-26)	-15 -30	-70 -112	mA
98 to 105	Off State Output Current High Level Applied	I_{OZH}	-	4(g)	$V_{CC} = 5.5V$, $V_{OUT} = 2.7V$ (Pins D/F 15-16-17-18-19-20-21-22) (Pins C 18-19-20-21-23-24-25-26)	-	20	μA
106 to 113	Off State Output Current Low Level Applied	I_{OZL}	-	4(g)	$V_{CC} = 5.5V$, $V_{OUT} = 0.4V$ (Pins D/F 15-16-17-18-19-20-21-22) (Pins C 18-19-20-21-23-24-25-26)	-	-20	μA
114	Supply Current Outputs High	I_{CCH}	3005	4(h)	$V_{CC} = 5.5V$ Note 4 (Pin D/F 24) (Pin C 28)	-	21	mA
115	Supply Current Outputs Low	I_{CCL}	3005	4(h)	$V_{CC} = 5.5V$ Note 4 Variants 01 to 06 Variants 07 to 18 (Pin D/F 24) (Pin C 28)	- -	29 30	mA
116	Supply Current Outputs Disabled	I_{CCZ}	3005	4(h)	$V_{CC} = 5.5V$ Note 4 Variants 01 to 06 Variants 07 to 18 (Pin D/F 24) (Pin C 28)	- -	31 32	mA

NOTES: See Page 21.

TABLE 2 - ELECTRICAL MEASUREMENTS AT ROOM TEMPERATURE - a.c. PARAMETERS

NO.	CHARACTERISTICS	SYMBOL	TEST METHOD MIL-STD 883	TEST FIG.	TEST CONDITIONS (PINS UNDER TEST D/F = DIP AND FP C = CCP) (NOTE 5)	LIMITS		UNIT																		
						MIN	MAX																			
117 to 132	Propagation Delay Low to High, from Clock to any Q	t_{PLH1}	3003	4(i)	$V_{CC} = 4.5$ and $5.5V$ $C_L = 50pF, R_1 = R_2 = 500\Omega$ <table style="margin-left: auto; margin-right: auto; border: none;"> <tr> <td style="padding: 0 10px;"><u>Pins D/F</u></td> <td style="padding: 0 10px;"><u>Pins C</u></td> </tr> <tr> <td>23 to 19</td> <td>27 to 23</td> </tr> <tr> <td>23 to 20</td> <td>27 to 24</td> </tr> <tr> <td>23 to 21</td> <td>27 to 25</td> </tr> <tr> <td>23 to 22</td> <td>27 to 26</td> </tr> <tr> <td>14 to 15</td> <td>17 to 18</td> </tr> <tr> <td>14 to 16</td> <td>17 to 19</td> </tr> <tr> <td>14 to 17</td> <td>17 to 20</td> </tr> <tr> <td>14 to 18</td> <td>17 to 21</td> </tr> </table>	<u>Pins D/F</u>	<u>Pins C</u>	23 to 19	27 to 23	23 to 20	27 to 24	23 to 21	27 to 25	23 to 22	27 to 26	14 to 15	17 to 18	14 to 16	17 to 19	14 to 17	17 to 20	14 to 18	17 to 21	4.0	15	ns
<u>Pins D/F</u>	<u>Pins C</u>																									
23 to 19	27 to 23																									
23 to 20	27 to 24																									
23 to 21	27 to 25																									
23 to 22	27 to 26																									
14 to 15	17 to 18																									
14 to 16	17 to 19																									
14 to 17	17 to 20																									
14 to 18	17 to 21																									
133 to 148	Propagation Delay High to Low, from Clock to any Q	t_{PHL1}	3003	4(i)	$V_{CC} = 4.5$ and $5.5V$ $C_L = 50pF, R_1 = R_2 = 500\Omega$ <table style="margin-left: auto; margin-right: auto; border: none;"> <tr> <td style="padding: 0 10px;"><u>Pins D/F</u></td> <td style="padding: 0 10px;"><u>Pins C</u></td> </tr> <tr> <td>23 to 19</td> <td>27 to 23</td> </tr> <tr> <td>23 to 20</td> <td>27 to 24</td> </tr> <tr> <td>23 to 21</td> <td>27 to 25</td> </tr> <tr> <td>23 to 22</td> <td>27 to 26</td> </tr> <tr> <td>14 to 15</td> <td>17 to 18</td> </tr> <tr> <td>14 to 16</td> <td>17 to 19</td> </tr> <tr> <td>14 to 17</td> <td>17 to 20</td> </tr> <tr> <td>14 to 18</td> <td>17 to 21</td> </tr> </table>	<u>Pins D/F</u>	<u>Pins C</u>	23 to 19	27 to 23	23 to 20	27 to 24	23 to 21	27 to 25	23 to 22	27 to 26	14 to 15	17 to 18	14 to 16	17 to 19	14 to 17	17 to 20	14 to 18	17 to 21	4.0	15	ns
<u>Pins D/F</u>	<u>Pins C</u>																									
23 to 19	27 to 23																									
23 to 20	27 to 24																									
23 to 21	27 to 25																									
23 to 22	27 to 26																									
14 to 15	17 to 18																									
14 to 16	17 to 19																									
14 to 17	17 to 20																									
14 to 18	17 to 21																									
149 to 164	Propagation Delay High to Low, from \overline{CLR} to any Q	t_{PHL2}	3003	4(i)	$V_{CC} = 4.5$ and $5.5V$ $C_L = 50pF, R_1 = R_2 = 500\Omega$ <table style="margin-left: auto; margin-right: auto; border: none;"> <tr> <td style="padding: 0 10px;"><u>Pins D/F</u></td> <td style="padding: 0 10px;"><u>Pins C</u></td> </tr> <tr> <td>1 to 19</td> <td>2 to 23</td> </tr> <tr> <td>1 to 20</td> <td>2 to 24</td> </tr> <tr> <td>1 to 21</td> <td>2 to 25</td> </tr> <tr> <td>1 to 22</td> <td>2 to 26</td> </tr> <tr> <td>13 to 15</td> <td>16 to 18</td> </tr> <tr> <td>13 to 16</td> <td>16 to 19</td> </tr> <tr> <td>13 to 17</td> <td>16 to 20</td> </tr> <tr> <td>13 to 18</td> <td>16 to 21</td> </tr> </table>	<u>Pins D/F</u>	<u>Pins C</u>	1 to 19	2 to 23	1 to 20	2 to 24	1 to 21	2 to 25	1 to 22	2 to 26	13 to 15	16 to 18	13 to 16	16 to 19	13 to 17	16 to 20	13 to 18	16 to 21	6.0	22	ns
<u>Pins D/F</u>	<u>Pins C</u>																									
1 to 19	2 to 23																									
1 to 20	2 to 24																									
1 to 21	2 to 25																									
1 to 22	2 to 26																									
13 to 15	16 to 18																									
13 to 16	16 to 19																									
13 to 17	16 to 20																									
13 to 18	16 to 21																									
165 to 180	Output Enable Time to High Level from \overline{OC} to any Q	t_{PZH}	3003	4(i)	$V_{CC} = 4.5$ and $5.5V$ $C_L = 50pF, R_1 = R_2 = 500\Omega$ <table style="margin-left: auto; margin-right: auto; border: none;"> <tr> <td style="padding: 0 10px;"><u>Pins D/F</u></td> <td style="padding: 0 10px;"><u>Pins C</u></td> </tr> <tr> <td>2 to 19</td> <td>3 to 23</td> </tr> <tr> <td>2 to 20</td> <td>3 to 24</td> </tr> <tr> <td>2 to 21</td> <td>3 to 25</td> </tr> <tr> <td>2 to 22</td> <td>3 to 26</td> </tr> <tr> <td>11 to 15</td> <td>13 to 18</td> </tr> <tr> <td>11 to 16</td> <td>13 to 19</td> </tr> <tr> <td>11 to 17</td> <td>13 to 20</td> </tr> <tr> <td>11 to 18</td> <td>13 to 21</td> </tr> </table>	<u>Pins D/F</u>	<u>Pins C</u>	2 to 19	3 to 23	2 to 20	3 to 24	2 to 21	3 to 25	2 to 22	3 to 26	11 to 15	13 to 18	11 to 16	13 to 19	11 to 17	13 to 20	11 to 18	13 to 21	4.0	21	ns
<u>Pins D/F</u>	<u>Pins C</u>																									
2 to 19	3 to 23																									
2 to 20	3 to 24																									
2 to 21	3 to 25																									
2 to 22	3 to 26																									
11 to 15	13 to 18																									
11 to 16	13 to 19																									
11 to 17	13 to 20																									
11 to 18	13 to 21																									

NOTES: See Page 21.



TABLE 2 - ELECTRICAL MEASUREMENTS AT ROOM TEMPERATURE - a.c. PARAMETERS (CONT'D)

NO.	CHARACTERISTICS	SYMBOL	TEST METHOD MIL-STD 883	TEST FIG.	TEST CONDITIONS (PINS UNDER TEST D/F = DIP AND FP C = CCP) (NOTE 5)	LIMITS		UNIT																		
						MIN	MAX																			
181 to 196	Output Enable Time to Low Level from \overline{OC} to any Q	t_{PZL}	3003	4(i)	$V_{CC} = 4.5$ and $5.5V$ $C_L = 50pF, R_1 = R_2 = 500\Omega$ <table border="0"> <tr> <td><u>Pins D/F</u></td> <td><u>Pins C</u></td> </tr> <tr> <td>2 to 19</td> <td>3 to 23</td> </tr> <tr> <td>2 to 20</td> <td>3 to 24</td> </tr> <tr> <td>2 to 21</td> <td>3 to 25</td> </tr> <tr> <td>2 to 22</td> <td>3 to 26</td> </tr> <tr> <td>11 to 15</td> <td>13 to 18</td> </tr> <tr> <td>11 to 16</td> <td>13 to 19</td> </tr> <tr> <td>11 to 17</td> <td>13 to 20</td> </tr> <tr> <td>11 to 18</td> <td>13 to 21</td> </tr> </table>	<u>Pins D/F</u>	<u>Pins C</u>	2 to 19	3 to 23	2 to 20	3 to 24	2 to 21	3 to 25	2 to 22	3 to 26	11 to 15	13 to 18	11 to 16	13 to 19	11 to 17	13 to 20	11 to 18	13 to 21	4.0	21	ns
<u>Pins D/F</u>	<u>Pins C</u>																									
2 to 19	3 to 23																									
2 to 20	3 to 24																									
2 to 21	3 to 25																									
2 to 22	3 to 26																									
11 to 15	13 to 18																									
11 to 16	13 to 19																									
11 to 17	13 to 20																									
11 to 18	13 to 21																									
197 to 212	Output Disable Time from High Level, from \overline{OC} to any Q	t_{PHZ}	3003	4(i)	$V_{CC} = 4.5$ and $5.5V$ $C_L = 50pF, R_1 = R_2 = 500\Omega$ <table border="0"> <tr> <td><u>Pins D/F</u></td> <td><u>Pins C</u></td> </tr> <tr> <td>2 to 19</td> <td>3 to 23</td> </tr> <tr> <td>2 to 20</td> <td>3 to 24</td> </tr> <tr> <td>2 to 21</td> <td>3 to 25</td> </tr> <tr> <td>2 to 22</td> <td>3 to 26</td> </tr> <tr> <td>11 to 15</td> <td>13 to 18</td> </tr> <tr> <td>11 to 16</td> <td>13 to 19</td> </tr> <tr> <td>11 to 17</td> <td>13 to 20</td> </tr> <tr> <td>11 to 18</td> <td>13 to 21</td> </tr> </table>	<u>Pins D/F</u>	<u>Pins C</u>	2 to 19	3 to 23	2 to 20	3 to 24	2 to 21	3 to 25	2 to 22	3 to 26	11 to 15	13 to 18	11 to 16	13 to 19	11 to 17	13 to 20	11 to 18	13 to 21	2.0	10	ns
<u>Pins D/F</u>	<u>Pins C</u>																									
2 to 19	3 to 23																									
2 to 20	3 to 24																									
2 to 21	3 to 25																									
2 to 22	3 to 26																									
11 to 15	13 to 18																									
11 to 16	13 to 19																									
11 to 17	13 to 20																									
11 to 18	13 to 21																									
213 to 228	Output Disable Time from Low Level, from \overline{OC} to any Q	t_{PLZ}	3003	4(i)	$V_{CC} = 4.5$ and $5.5V$ $C_L = 50pF, R_1 = R_2 = 500\Omega$ <table border="0"> <tr> <td><u>Pins D/F</u></td> <td><u>Pins C</u></td> </tr> <tr> <td>2 to 19</td> <td>3 to 23</td> </tr> <tr> <td>2 to 20</td> <td>3 to 24</td> </tr> <tr> <td>2 to 21</td> <td>3 to 25</td> </tr> <tr> <td>2 to 22</td> <td>3 to 26</td> </tr> <tr> <td>11 to 15</td> <td>13 to 18</td> </tr> <tr> <td>11 to 16</td> <td>13 to 19</td> </tr> <tr> <td>11 to 17</td> <td>13 to 20</td> </tr> <tr> <td>11 to 18</td> <td>13 to 21</td> </tr> </table>	<u>Pins D/F</u>	<u>Pins C</u>	2 to 19	3 to 23	2 to 20	3 to 24	2 to 21	3 to 25	2 to 22	3 to 26	11 to 15	13 to 18	11 to 16	13 to 19	11 to 17	13 to 20	11 to 18	13 to 21	3.0	15	ns
<u>Pins D/F</u>	<u>Pins C</u>																									
2 to 19	3 to 23																									
2 to 20	3 to 24																									
2 to 21	3 to 25																									
2 to 22	3 to 26																									
11 to 15	13 to 18																									
11 to 16	13 to 19																									
11 to 17	13 to 20																									
11 to 18	13 to 21																									
229 to 236	Maximum Clock Frequency	f_{max}	-	4(i)	$V_{CC} = 4.5$ and $5.5V$ $C_L = 50pF, R_1 = R_2 = 500\Omega$ Note 6 <table border="0"> <tr> <td><u>Pins D/F</u></td> <td><u>Pins C</u></td> </tr> <tr> <td>23 to 22</td> <td>27 to 26</td> </tr> <tr> <td>23 to 19</td> <td>27 to 23</td> </tr> <tr> <td>14 to 18</td> <td>17 to 21</td> </tr> <tr> <td>14 to 15</td> <td>17 to 18</td> </tr> </table>	<u>Pins D/F</u>	<u>Pins C</u>	23 to 22	27 to 26	23 to 19	27 to 23	14 to 18	17 to 21	14 to 15	17 to 18	25	-	MHz								
<u>Pins D/F</u>	<u>Pins C</u>																									
23 to 22	27 to 26																									
23 to 19	27 to 23																									
14 to 18	17 to 21																									
14 to 15	17 to 18																									

NOTES: See Page 21.


	<p style="text-align: center;">ESA/SCC Detail Specification No. 9203/046</p>	<p style="text-align: right;">PAGE 21 ISSUE 2</p>
---	--	---

TABLE 2 - ELECTRICAL MEASUREMENTS AT ROOM TEMPERATURE (CONT 'D)

NOTES

1. Go-no-go test with $V_{IL} = 0.3V$, $V_{IH} = 3.0V$, trip point 1.5V.
2. All inputs and outputs not under test shall be open.
3. No more than 1 output should be tested at a time.
4. For I_{CCH} : Output Control (\overline{OC}) at $V_{IL} = 0V$.
Clear (\overline{CLR}) and all D Inputs at $V_{IH} = 4.5V$.
Clock Input at transition from low to high.
- For I_{CCL} : Output Control (\overline{OC}) and Clear (\overline{CLR}) at $V_{IL} = 0V$.
- For I_{CCZ} : Output Control (\overline{OC}) at $V_{IH} = 4.5V$.
5. This parameter shall be tested as a go-no-go on 100% basis. Read-and-record measurements shall be performed on an LTPD7 sample basis following the Chart III Burn-in Test.
6. This parameter shall be tested as go-no-go on a 100% basis.

**TABLE 3 - ELECTRICAL MEASUREMENTS AT HIGH AND LOW TEMPERATURES,
+ 125(+ 0 - 5) °C AND - 55(+ 5 - 0) °C**

NO.	CHARACTERISTICS	SYMBOL	TEST METHOD MIL-STD 883	TEST FIG.	TEST CONDITIONS (PINS UNDER TEST D/F = DIP AND FP C = CCP)	LIMITS		UNIT
						MIN	MAX	
1	Functional Test	-	-	3(b)	Verify Truth Table with Load. Note 1	-	-	-
2 to 15	Input Current High Level 1	I_{IH1}	3010	4(a)	$V_{CC} = 5.5V$, $V_{IN} = 2.7V$ (Pins D/F 1-2-3-4-5-6-7-8-9-10-11-13-14-23) (Pins C 2-3-4-5-6-7-9-10-11-12-13-16-17-27)	-	20	μA
16 to 29	Input Current High Level 2 (Max. Input Voltage)	I_{IH2}	3010	4(a)	$V_{CC} = 5.5V$, $V_{IN} = 7.0V$ (Pins D/F 1-2-3-4-5-6-7-8-9-10-11-13-14-23) (Pins C 2-3-4-5-6-7-9-10-11-12-13-16-17-27)	-	100	μA
30 to 43	Input Clamp Voltage	V_{IC}	3008	4(b)	$V_{CC} = 4.5V$, $I_{IN} = -18mA$ Note 2 (Pins D/F 1-2-3-4-5-6-7-8-9-10-11-13-14-23) (Pins C 2-3-4-5-6-7-9-10-11-12-13-16-17-27)	-	- 1.5	V
44 to 57	Input Current Low Level	I_{IL}	3009	4(c)	$V_{CC} = 5.5V$, $V_{IL} = 0.4V$ (Pins D/F 1-2-3-4-5-6-7-8-9-10-11-13-14-23) (Pins C 2-3-4-5-6-7-9-10-11-12-13-16-17-27)	-	- 200	μA
58 to 65	Output Voltage Low Level	V_{OL}	3007	4(d)	$V_{CC} = 4.5V$, $V_{IH} = 2.0V$ $V_{IL} = 0.7V$, $I_{OL} = 12mA$ (Pins D/F 15-16-17-18-19-20-21-22) (Pins C 18-19-20-21-23-24-25-26)	-	0.4	V
66 to 73	Output Voltage High Level 1	V_{OH1}	3006	4(e)	$V_{CC} = 4.5V$, $V_{IH} = 2.0V$ $V_{IL} = 0.7V$, $I_{OH} = -1.0mA$ (Pins D/F 15-16-17-18-19-20-21-22) (Pins C 18-19-20-21-23-24-25-26)	2.4	-	V
74 to 81	Output Voltage High Level 2	V_{OH2}	3006	4(e)	$V_{CC} = 4.5V$, $V_{IH} = 2.0V$ $V_{IL} = 0.7V$, $I_{OH} = -0.4mA$ (Pins D/F 15-16-17-18-19-20-21-22) (Pins C 18-19-20-21-23-24-25-26)	2.5	-	V

NOTES: See Page 21.

**TABLE 3 - ELECTRICAL MEASUREMENTS AT HIGH AND LOW TEMPERATURES,
+ 125(+ 0 - 5) °C AND - 55(+ 5 - 0) °C (CONT'D)**

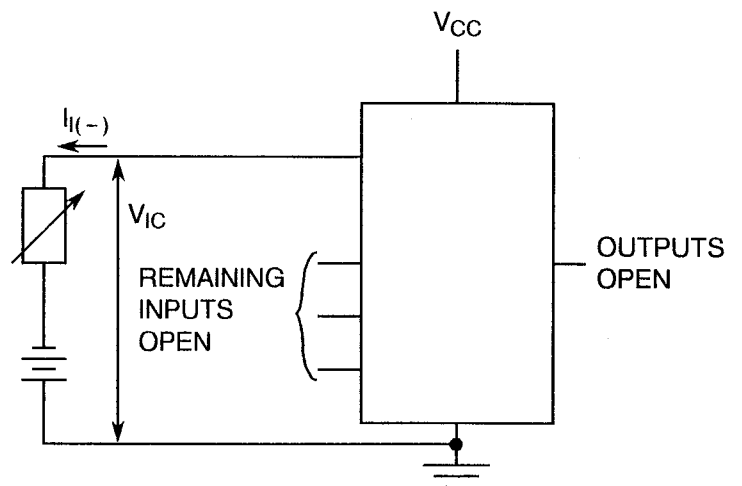
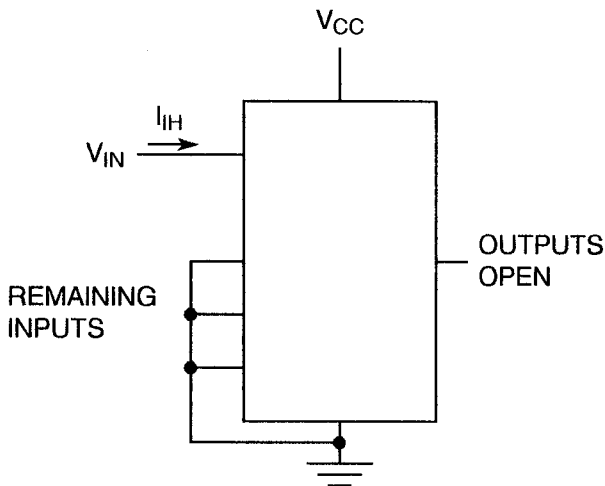
NO.	CHARACTERISTICS	SYMBOL	TEST METHOD MIL-STD 883	TEST FIG.	TEST CONDITIONS (PINS UNDER TEST D/F = DIP AND FP C = CCP)	LIMITS		UNIT
						MIN	MAX	
82 to 89	Output Voltage High Level 3	V_{OH3}	3006	4(e)	$V_{CC} = 5.5V$, $V_{IH} = 2.0V$ $V_{IL} = 0.7V$, $I_{OH} = -0.4mA$ (Pins D/F 15-16-17-18-19- 20-21-22) (Pins C 18-19-20-21-23-24- 25-26)	3.5	-	V
90 to 97	One Half of the True Output Short Circuit Current	$I_{OS/2}$	3011	4(f)	$V_{CC} = 5.5V$, $V_{OUT} = 2.25V$ Note 3 Variants 01 to 06 Variants 07 to 18 (Pins D/F 15-16-17-18-19- 20-21-22) (Pins C 18-19-20-21-23-24- 25-26)	-15 -30	-70 -112	mA
98 to 105	Off State Output Current High Level Applied	I_{OZH}	-	4(g)	$V_{CC} = 5.5V$, $V_{OUT} = 2.7V$ (Pins D/F 15-16-17-18-19- 20-21-22) (Pins C 18-19-20-21-23-24- 25-26)	-	20	μA
106 to 113	Off State Output Current Low Level Applied	I_{OZL}	-	4(g)	$V_{CC} = 5.5V$, $V_{OUT} = 0.4V$ (Pins D/F 15-16-17-18-19- 20-21-22) (Pins C 18-19-20-21-23-24- 25-26)	-	-20	μA
114	Supply Current Outputs High	I_{CCH}	3005	4(h)	$V_{CC} = 5.5V$ Note 4 (Pin D/F 24) (Pin C 28)	-	21	mA
115	Supply Current Outputs Low	I_{CCL}	3005	4(h)	$V_{CC} = 5.5V$ Note 4 Variants 01 to 06 Variants 07 to 18 (Pin D/F 24) (Pin C 28)	- -	29 30	mA
116	Supply Current Outputs Disabled	I_{CCZ}	3005	4(h)	$V_{CC} = 5.5V$ Note 4 Variants 01 to 06 Variants 07 to 18 (Pin D/F 24) (Pin C 28)	- -	31 32	mA

NOTES: See Page 21.

FIGURE 4 - CIRCUITS FOR ELECTRICAL MEASUREMENTS

FIGURE 4(a) - HIGH LEVEL INPUT CURRENT

FIGURE 4(b) - INPUT CLAMP VOLTAGE



NOTES

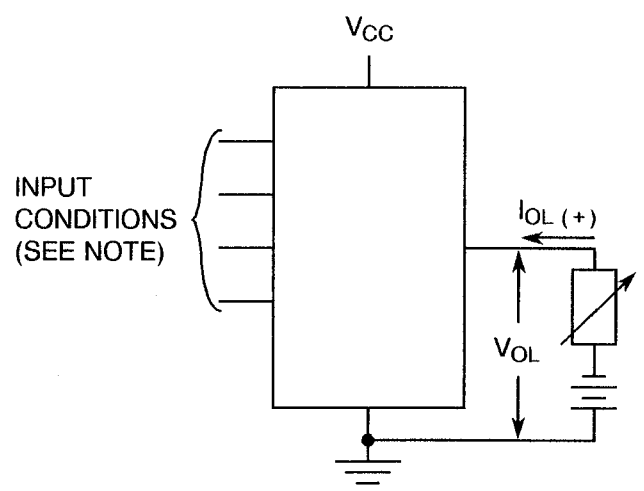
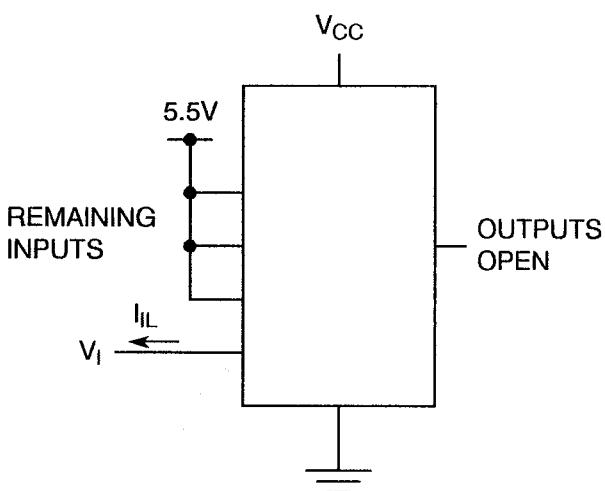
1. Each input to be tested separately.

NOTES

1. Each input to be tested separately.

FIGURE 4(c) - LOW LEVEL INPUT CURRENT

FIGURE 4(d) - LOW LEVEL OUTPUT VOLTAGE



NOTES

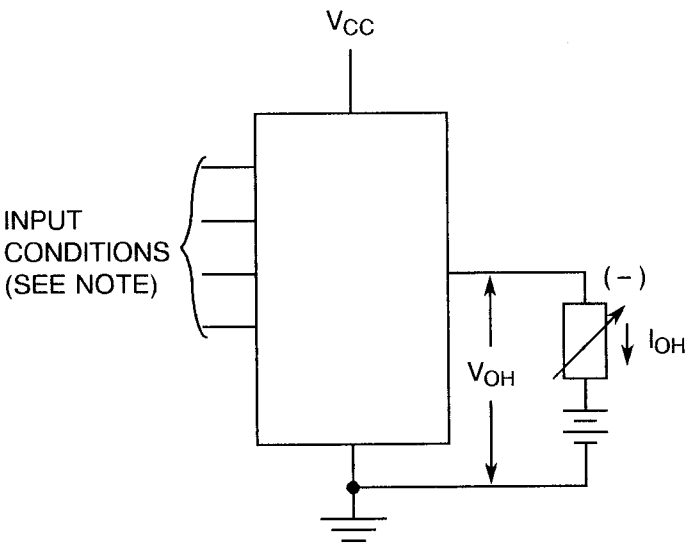
1. Each input to be tested separately.

NOTES

1. Output Control (\overline{OC}) and Clear (\overline{CLR}) at V_{IL} .

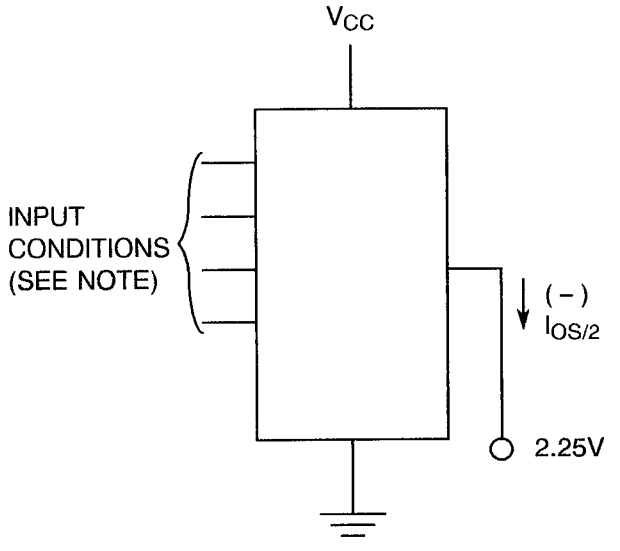
FIGURE 4 - CIRCUITS FOR ELECTRICAL MEASUREMENTS (CONTINUED)

FIGURE 4(e) - HIGH LEVEL OUTPUT VOLTAGE



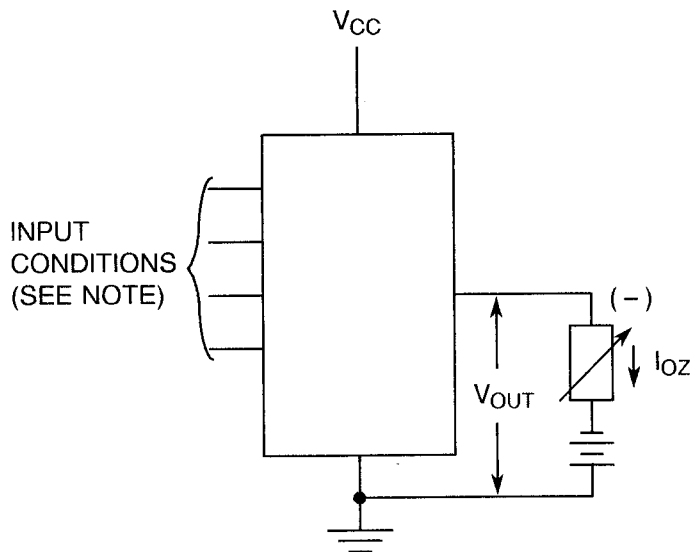
- NOTES**
1. Output Control (\overline{OC}) at V_{IL} , Clear (\overline{CLR}) at V_{IH} .
 2. Clock input at transition low to high. Each Data input in turn at V_{IH} min. with all others at V_{IL} .

FIGURE 4(f) - ONE HALF SHORT CIRCUIT OUTPUT CURRENT



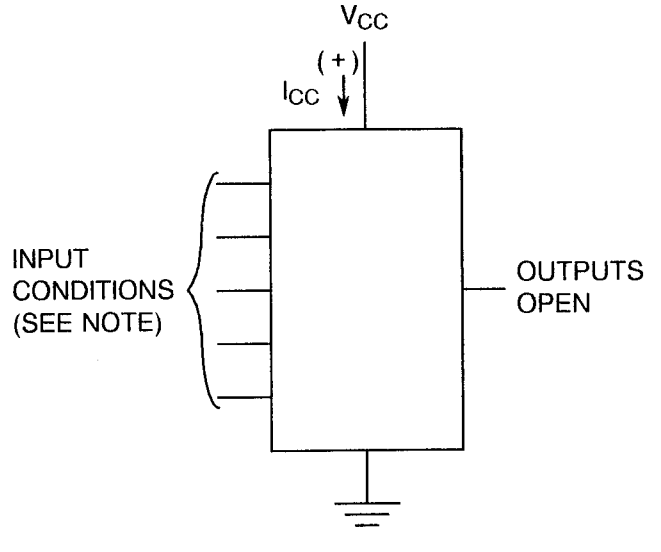
- NOTES**
1. Output Control (\overline{OC}) Grounded, Clear (\overline{CLR}) at V_{IH} .
 2. Clock input at transition low to high. Each Data input in turn at 4.5V with all others Grounded.

FIGURE 4(g) - OFF STATE OUTPUT CURRENT

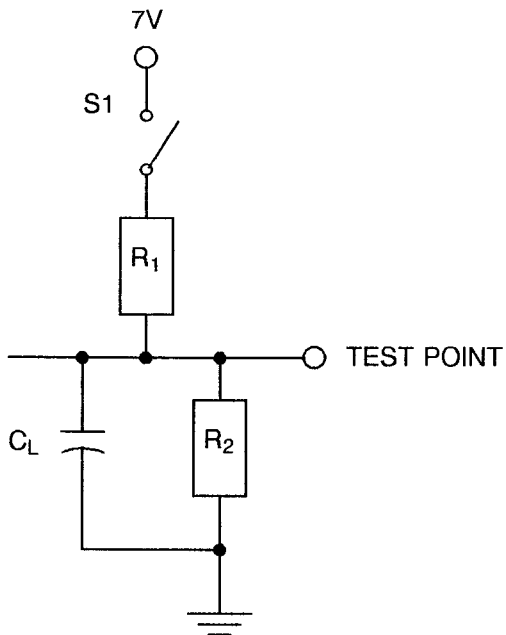
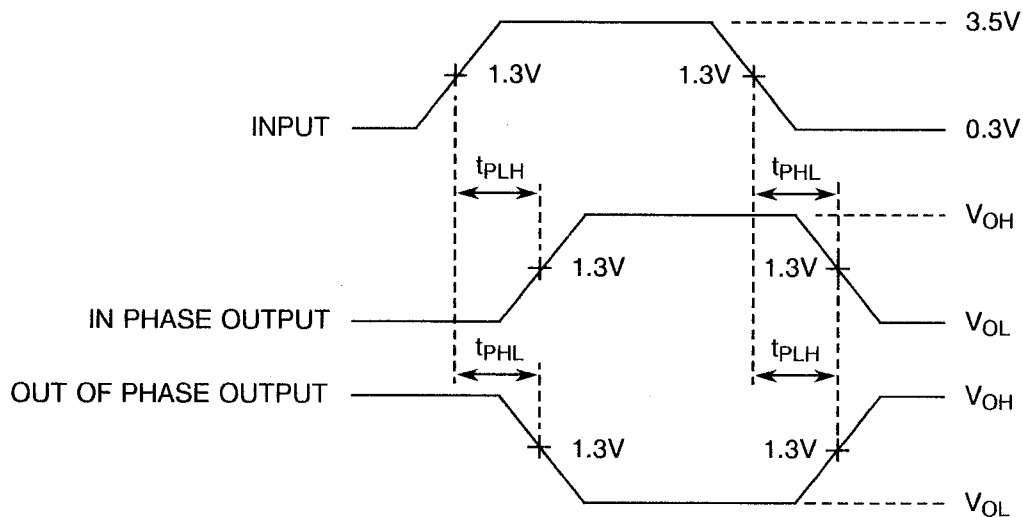


- NOTES**
1. Output Control (\overline{OC}) at V_{IH} min.

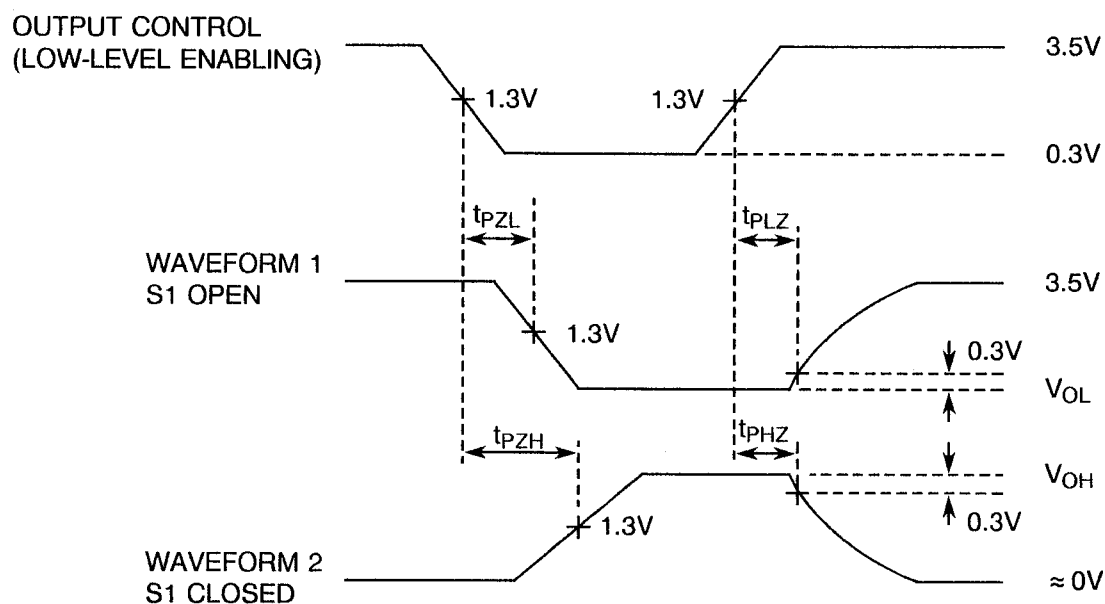
FIGURE 4(h) - SUPPLY CURRENT



- NOTES**
1. See Note 4 on Page 21.

FIGURE 4 - CIRCUITS FOR ELECTRICAL MEASUREMENTS (CONTINUED)
FIGURE 4(i) - DYNAMIC TEST AND SWITCHING WAVEFORMS

VOLTAGE WAVEFORMS - PROPAGATION DELAY TIMES


NOTES: See Note 5 on Page 27.

FIGURE 4 - CIRCUITS FOR ELECTRICAL MEASUREMENTS (CONTINUED)
FIGURE 4(i) - DYNAMIC TEST AND SWITCHING WAVEFORMS (CONTINUED)
VOLTAGE WAVEFORMS - ENABLE AND DISABLE TIMES


NOTE 6

NOTES

1. The generator has the following characteristics: $t_r = t_f = 2\text{ns}$, $\text{PRR} = 1\text{MHz}$, $Z_{\text{out}} = 50\Omega$, Duty Cycle = 50%.
2. $C_L = 50\text{pF} \pm 5\%$ including scope probe, wiring and stray capacitance without package in test fixture.
3. Each flip-flop tested separately.
4. $R_1 = R_2 = 500\Omega \pm 5\%$.
5. For measurement of Propagation Times, Switch S1 is open.
6. Waveform 1 is for an output with internal conditions such that the output is low except when disabled by the Output Control.

Waveform 2 is for an output with internal conditions such that the output is high except when disabled by the Output Control.

TABLE 4 - PARAMETER DRIFT VALUES

NO.	CHARACTERISTICS	SYMBOL	SPEC. AND/OR TEST METHOD	TEST CONDITIONS	CHANGE LIMITS (Δ)	UNIT
2 to 15	Input Current High Level 1	I_{IH1}	As per Table 2	As per Table 2	± 20 or (1) ± 0.5	% μA
44 to 57	Input Current Low Level	I_{IL}	As per Table 2	As per Table 2	± 10	μA
58 to 65	Output Voltage Low Level	V_{OL}	As per Table 2	As per Table 2	± 60	mV
66 to 73	Output Voltage High Level 1	V_{OH1}	As per Table 2	As per Table 2	± 200	mV
74 to 81	Output Voltage High Level 2	V_{OH2}	As per Table 2	As per Table 2	± 200	mV
82 to 89	Output Voltage High Level 3	V_{OH3}	As per Table 2	As per Table 2	± 200	mV

NOTES

1. Whichever is greater referred to the initial value.

TABLE 5 - CONDITIONS FOR POWER BURN-IN AND OPERATING LIFE TEST

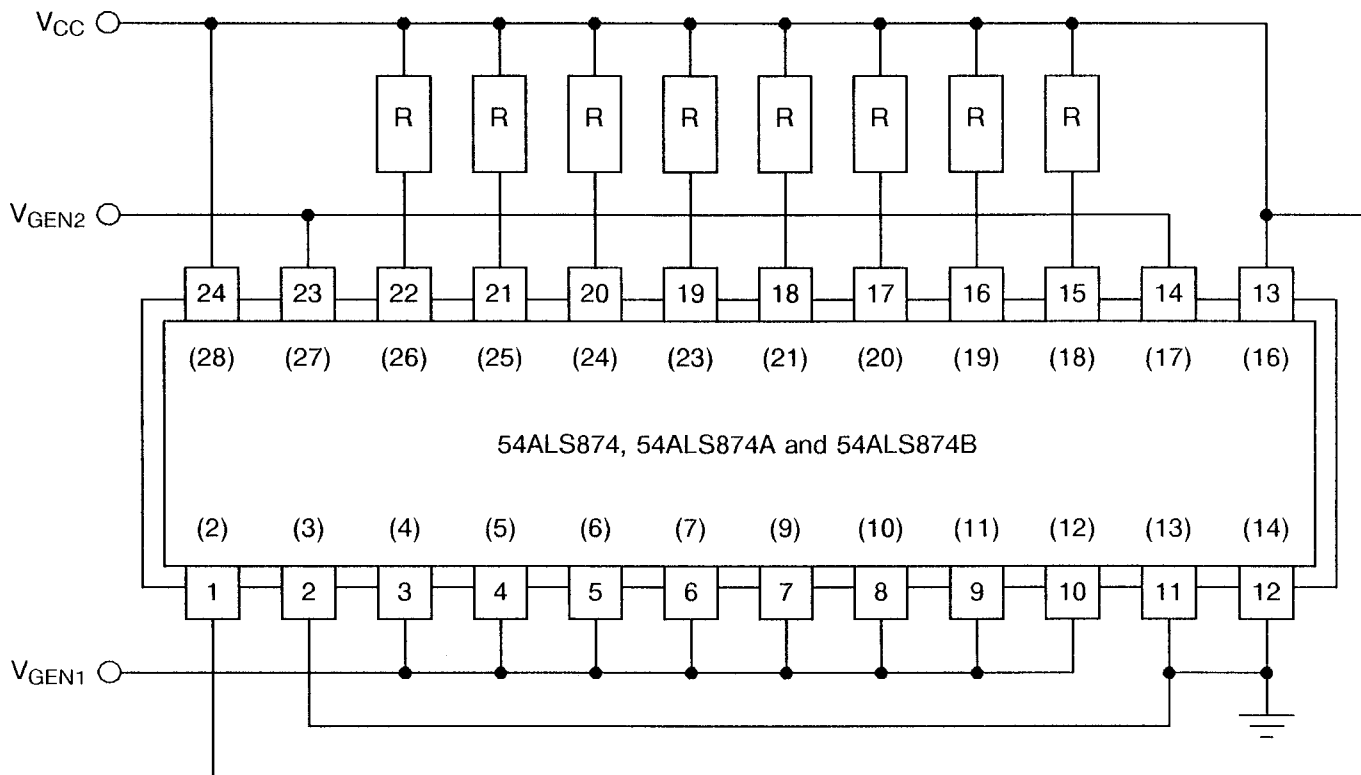
NO.	CHARACTERISTICS	SYMBOL	CONDITION	UNIT
1	Ambient Temperature	T_{amb}	+ 125(+ 0 - 5)	$^{\circ}C$
2	Power Supply Voltage	V_{CC}	+ 5(+ 0.5 - 0)	V
3	Pulse Voltage	V_{GEN}	0.5 max. to 3.0 min.	Vac
4	Frequency	f G1 G2	50 100 (See Note 1)	Hz
5	Fan-out	-	10	-
6	Rise Time	t_r	50 max.	μs
7	Fall Time	t_f	50 max.	μs
8	Duty Cycle	-	20 min.	%

NOTES

1. Tolerance $\pm 10\%$.




FIGURE 5 - ELECTRICAL CIRCUIT FOR POWER BURN-IN AND OPERATING LIFE TEST



NOTES

1. Pin numbers in parenthesis are for the chip carrier package.
2. R = 380Ω.

	<p style="text-align: center;">ESA/SCC Detail Specification No. 9203/046</p>	<p style="text-align: right;">PAGE 30 ISSUE 2</p>
--	--	---

4.8 ENVIRONMENTAL AND ENDURANCE TESTS (CHARTS IV AND V OF ESA/SCC GENERIC SPECIFICATION NO. 9000)

4.8.1 Electrical Measurements on Completion of Environmental Tests

The parameters to be measured on completion of environmental tests are scheduled in Table 6. Unless otherwise stated, the measurements shall be performed at $T_{amb} = +22 \pm 3$ °C.

4.8.2 Electrical Measurements at Intermediate Points during Endurance Tests

The parameters to be measured at intermediate points during endurance tests are as scheduled in Table 6 of this specification. Unless otherwise stated, the measurements shall be performed at $T_{amb} = +22 \pm 3$ °C.

4.8.3 Electrical Measurements on Completion of Endurance Tests

The parameters to be measured on completion of endurance testing are as scheduled in Table 6 of this specification. Unless otherwise stated, the measurements shall be performed at $T_{amb} = +22 \pm 3$ °C.

4.8.4 Conditions for Operating Life Tests

The requirements for operating life testing are specified in Section 9 of ESA/SCC Generic Specification No. 9000. The conditions for operating life testing shall be as specified in Table 5 of this specification.

4.8.5 Electrical Circuits for Operating Life Tests

Circuits for use in performing the operating life tests are shown in Figure 5.

4.8.6 Conditions for High Temperature Storage Test

The requirements for the high temperature storage test are specified in ESA/SCC Generic Specification No. 9000. The conditions for high temperature storage shall be $T_{amb} = +150(+0-5)$ °C.

TABLE 6 - ELECTRICAL MEASUREMENTS ON COMPLETION OF ENVIRONMENTAL TESTS AND AT INTERMEDIATE POINTS AND ON COMPLETION OF ENDURANCE TESTS

NO.	CHARACTERISTICS	SYMBOL	SPEC. AND/OR TEST METHOD	TEST CONDITIONS	CHANGE LIMITS		UNIT
					(Δ)	ABSOLUTE	
2 to 15	Input Current High Level 1	I_{IH1}	As per Table 2	As per Table 2	± 1	-	μA
16 to 29	Input Current High Level 2 (Max. Input Voltage)	I_{IH2}	As per Table 2	As per Table 2	-	100	μA
44 to 57	Input Current Low Level	I_{IL1}	As per Table 2	As per Table 2	± 10	-	μA
58 to 65	Output Voltage Low Level	V_{OL}	As per Table 2	As per Table 2	± 60	-	mV
66 to 73	Output Voltage High Level 1	V_{OH1}	As per Table 2	As per Table 2	± 200	-	mV
74 to 81	Output Voltage High Level 2	V_{OH2}	As per Table 2	As per Table 2	± 200	-	mV
82 to 89	Output Voltage High Level 3	V_{OH3}	As per Table 2	As per Table 2	± 200	-	mV
114	Supply Current Outputs High	I_{CCH}	As per Table 2	As per Table 2	± 20	-	%
115	Supply Current Outputs Low	I_{CCL}	As per Table 2	As per Table 2	± 20	-	%
116	Supply Current Outputs Disabled	I_{CCZ}	As per Table 2	As per Table 2	± 20	-	%

APPENDIX 'A'

AGREED DEVIATIONS FOR TEXAS INSTRUMENTS (F)

ITEMS AFFECTED	DESCRIPTION OF DEVIATIONS
Para. 4.2.1	Scanning Electron Microscope (SEM) Inspection may be performed using TIF document TIF 3.61.610.001.
Para. 4.2.2	Prior to Die Shear Test TIF may perform a Radiographic Inspection on the randomly chosen samples to be subjected to this test, using TIF document TI 50.42-3002.
Para. 4.2.3	Radiographic Inspection may be performed using TIF document TI 50.42-3002.